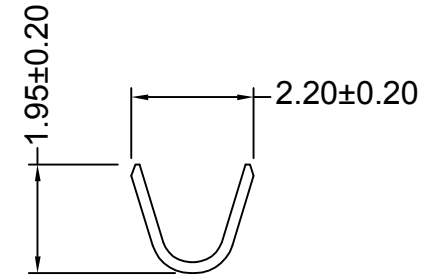
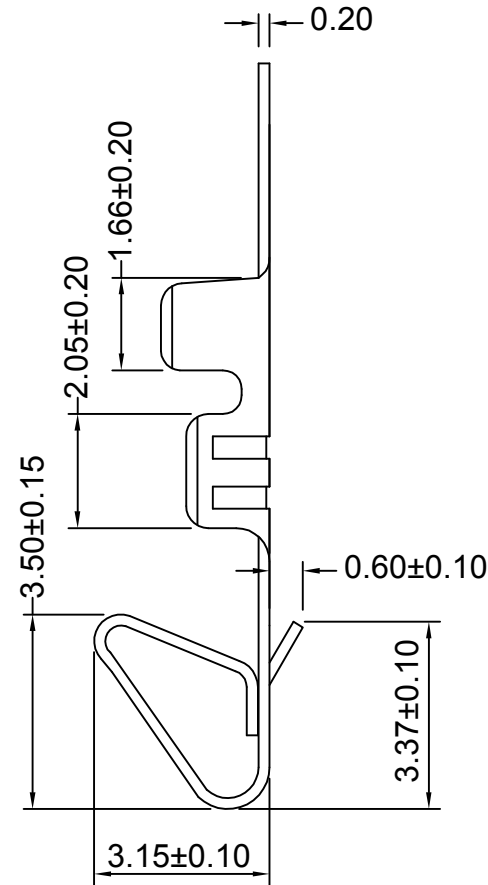
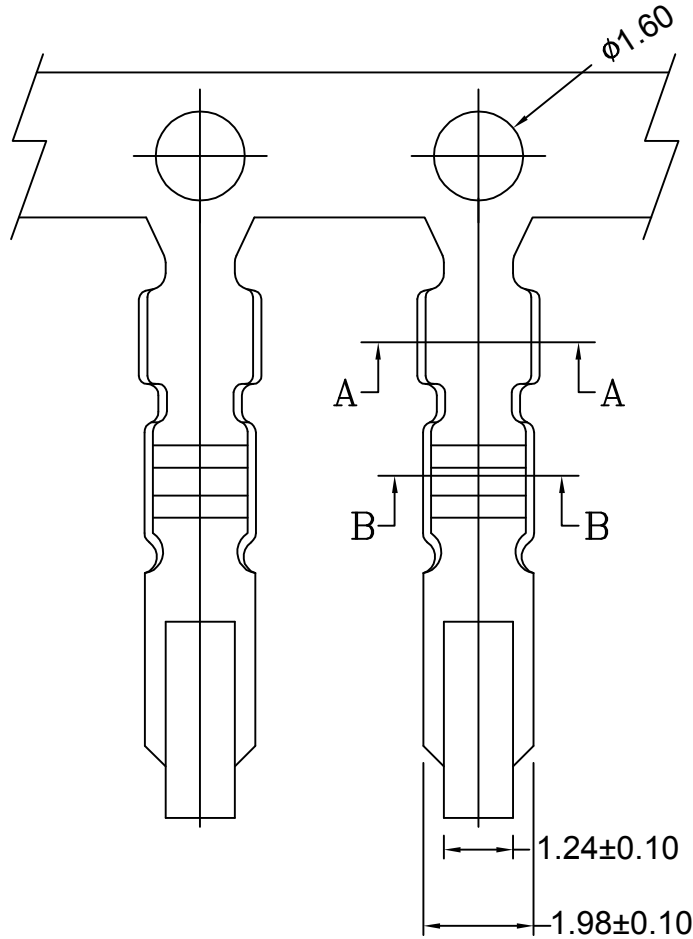
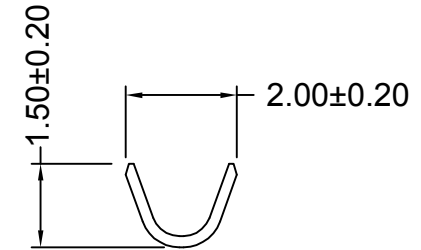


修订 REV	标记 MARK	修改摘要 REVISION DESCRIPTION	签名 SIGNATURE	日期 DATE
AO		NEW RELEASE	WANG	2013-09-29



Section A-A



Section B-B

Ordering information & Specifications

Unit:mm

Part No	Wire Range	Insultion O.D.	Material	Finish	Qty/reel
HDGC2543-TB	AWG#22-#28	1.57mm(max)	Brass	Tin over Nickel	12,000 PCS
HDGC2543-TP	AWG#22-#28	1.57mm(max)	Phosphor Bronze	Tin over Nickel	12,000 PCS
HDGC2543-GB	AWG#22-#28	1.57mm(max)	Brass	Gold over Nickel	12,000 PCS
HDGC2543-GP	AWG#22-#28	1.57mm(max)	Phosphor Bronze	Gold over Nickel	12,000 PCS



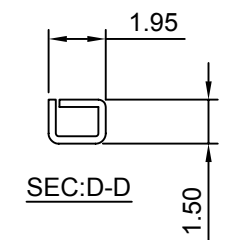
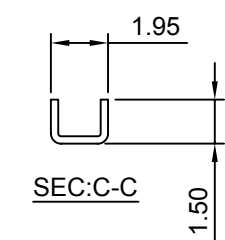
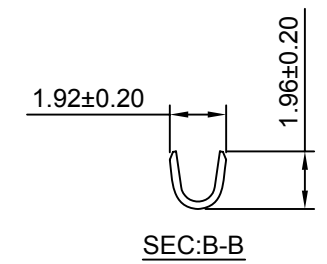
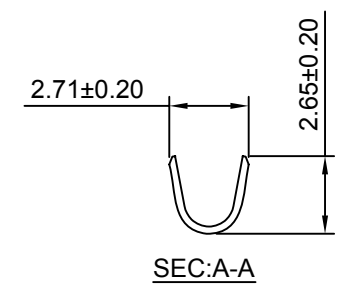
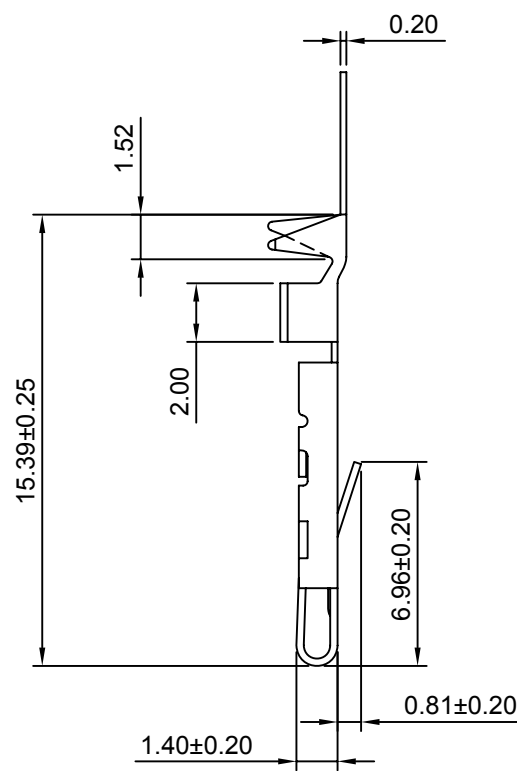
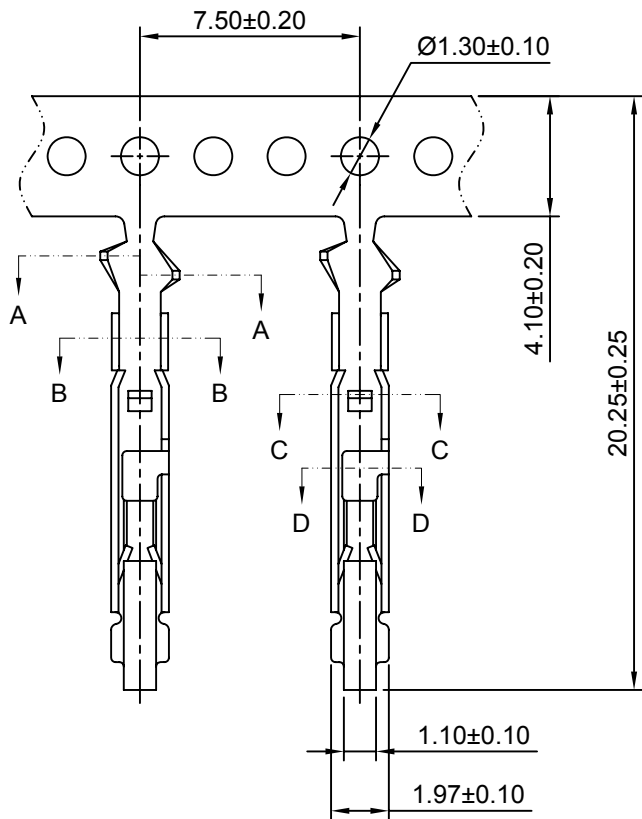
深圳市华德共创科技有限公司

Shenzhen Huade co-create Technology Co.,LTD

TEL : 0755-27129737 FAX : 0755-29940187

-TOLERANCES- UNLESS OTHERWISE SPECIFIED 公差参数表					TITLE: 2.54mm Pitch 产品名称: Crimp Terminal			
X.X	± 0.30	X.X°	$\pm 3^\circ$	APPD: 核准: XIE	PART NO: 产品编号: HDGC2543-T			
X.XX	± 0.30	X.XX°	$\pm 2^\circ$	CHECK: 校对: WANG	DATE	SCALE	UNIT	CODE NUMBER
X.XXX	± 0.10	X.XXX°	$\pm 1^\circ$	DRAW: 绘图: WANG	2013-09-29	8:1	mm	A008

修订 REV	标记 MARK	修改摘要 REVISION DESCRIPTION	签名 SIGNATURE	日期 DATE
AO		NEW RELEASE	WANG	2013-09-29



Ordering information & Specifications

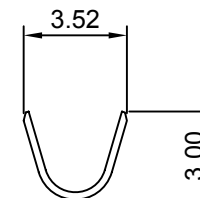
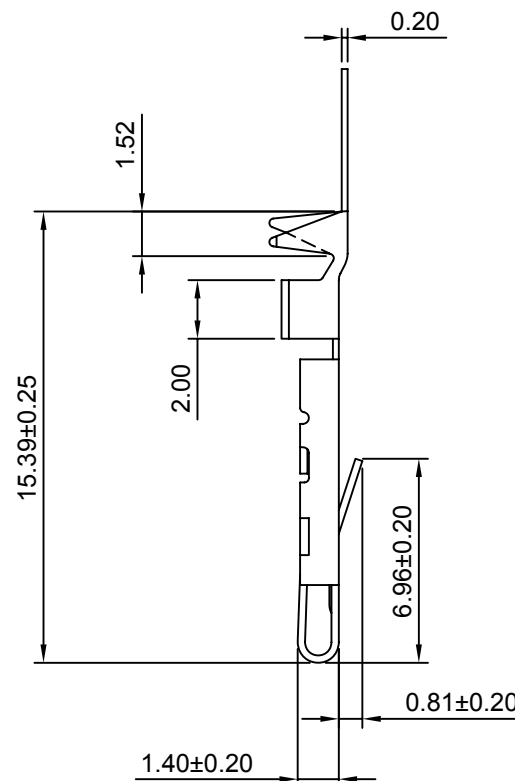
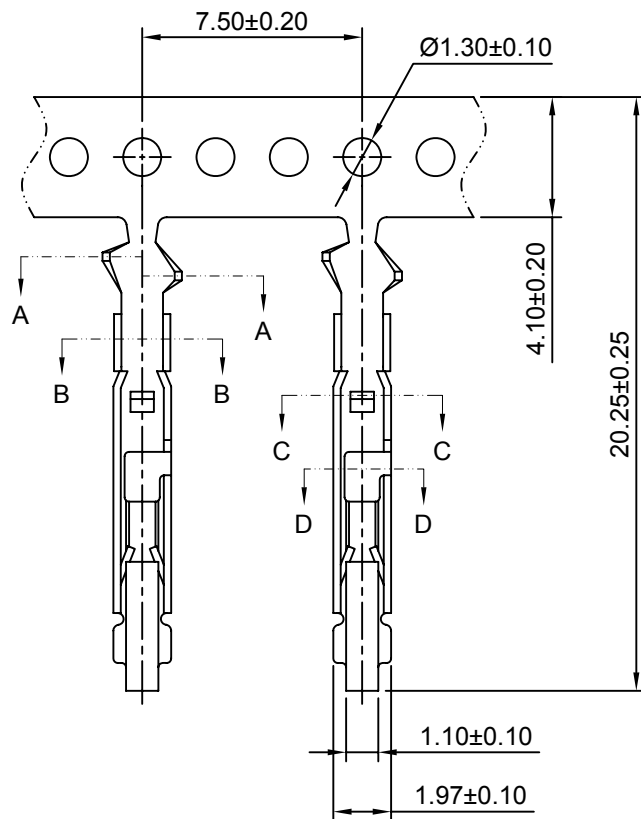
Part No	Wire Range	Insultion O.D.	Material	Finish	Qty/reel
HDGC2543F-GP-A	AWG#20-#28	2.00mm(max)	Phosphor Bronze	Gold over Nickel	5,000 PCS



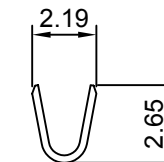
深圳市华德共创科技有限公司
 Shenzhen Huade co-create Technology Co.,LTD
 TEL : 0755-27129737 FAX : 0755-29940187

-TOLERANCES- UNLESS OTHERWISE SPECIFIED 公差参数表				 		TITLE: 2.54mm Pitch 产品名称: Crimp Terminal			
X.X	±0.30	X.X°	±3°	APPD: 核准:	XIE	PART NO: 产品编号: HDGC2543F-T-A			
X.XX	±0.30	X.XX°	±2°	CHECK: 校对:	WANG	DATE	SCALE	UNIT	CODE NUMBER
X.XXX	±0.10	X.XXX°	±1°	DRAW: 绘图:	WANG	2013-09-29	4:1	mm	A008

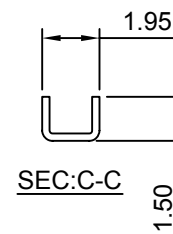
修订 REV	标记 MARK	修改摘要 REVISION DESCRIPTION	签名 SIGNATURE	日期 DATE
AO		NEW RELEASE	WANG	2013-09-29



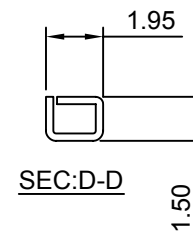
SEC:A-A



SEC:B-B



SEC:C-C



SEC:D-D

Ordering information & Specifications

Part No	Wire Range	Insulation O.D.	Material	Finish	Qty/reel
HDGC2543F-GP-A-H	AWG#20-#28	2.00mm(max)	Phosphor Bronze	Gold over Nickel	5,000 PCS



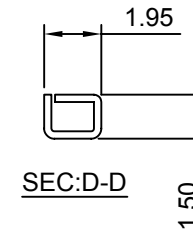
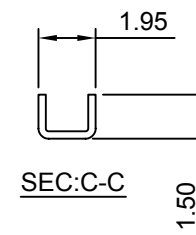
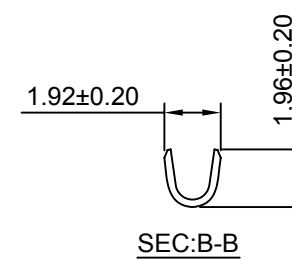
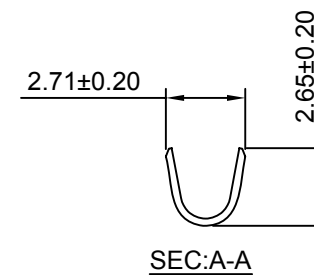
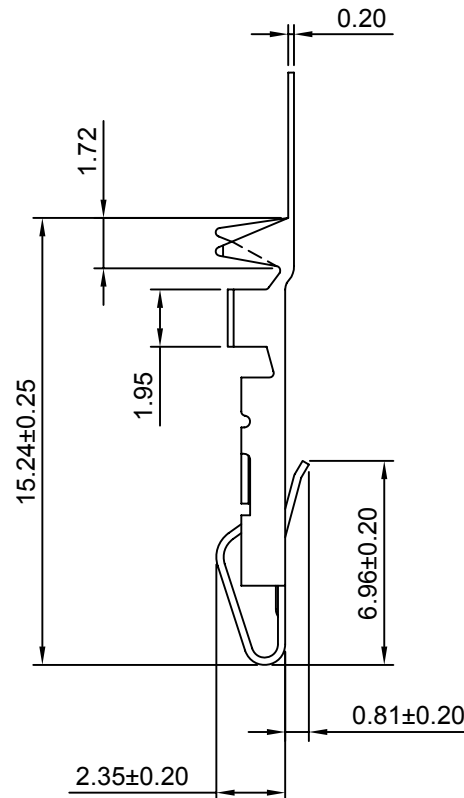
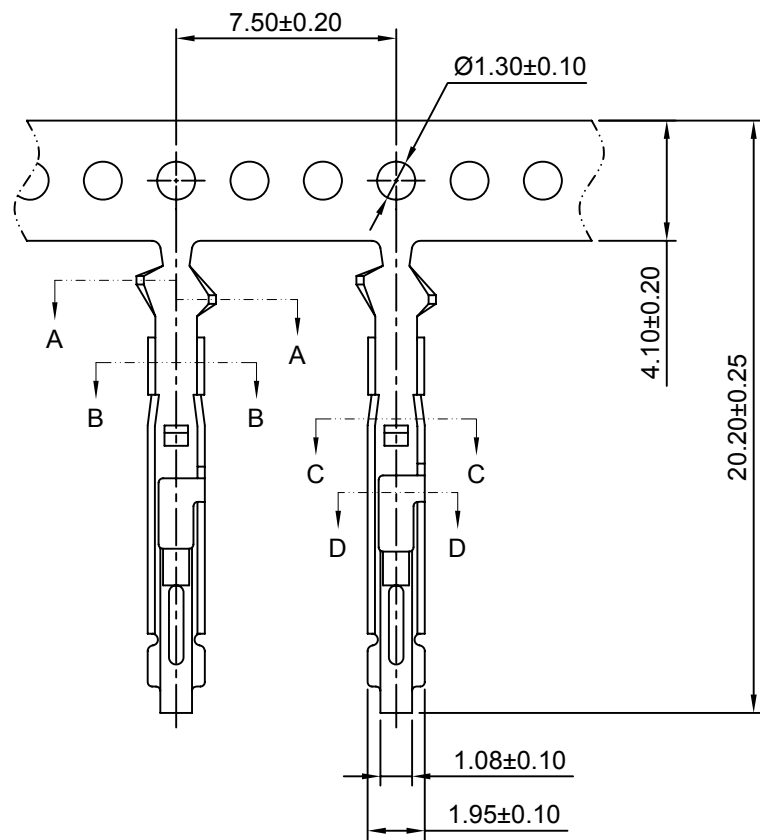
深圳市华德共创科技有限公司

Shenzhen Huade co-create Technology Co.,LTD

TEL : 0755-27129737 FAX : 0755-29940187

-TOLERANCES- UNLESS OTHERWISE SPECIFIED 公差参数表						TITLE: 2.54mm Pitch 产品名称: Crimp Terminal			
X.X	±0.30	X.X°	±3°	APPD: 核准:	XIE	PART NO: 产品编号: HDGC2543F-T-A-H			
X.XX	±0.30	X.XX°	±2°	CHECK: 校对:	WANG	DATE	SCALE	UNIT	CODE NUMBER
X.XXX	±0.10	X.XXX°	±1°	DRAW: 绘图:	WANG	2013-09-29	4:1	mm	A008

修订 REV	标记 MARK	修改摘要 REVISION DESCRIPTION	签名 SIGNATURE	日期 DATE
AO		NEW RELEASE	WANG	2013-09-29



Ordering information & Specifications

Part No	Wire Range	Insulation O.D.	Material	Finish	Qty/reel
HDGC2543M-GP-A	AWG#20-#28	2.00mm(max)	Phosphor Bronze	Gold over Nickel	5,000 PCS



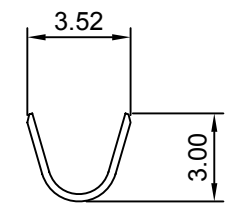
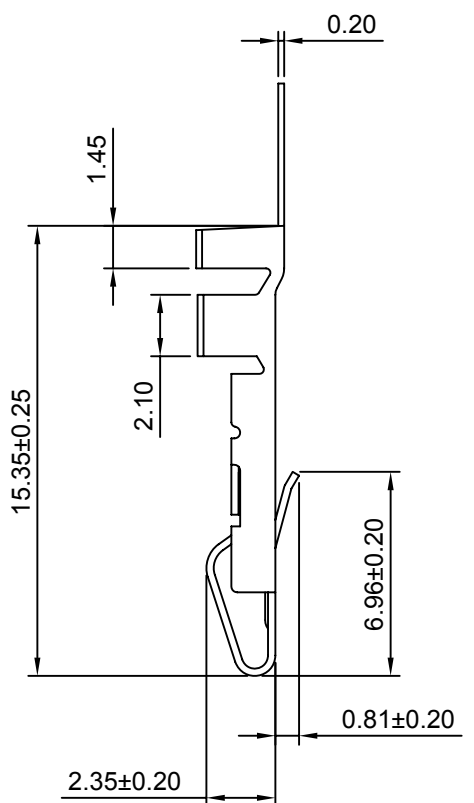
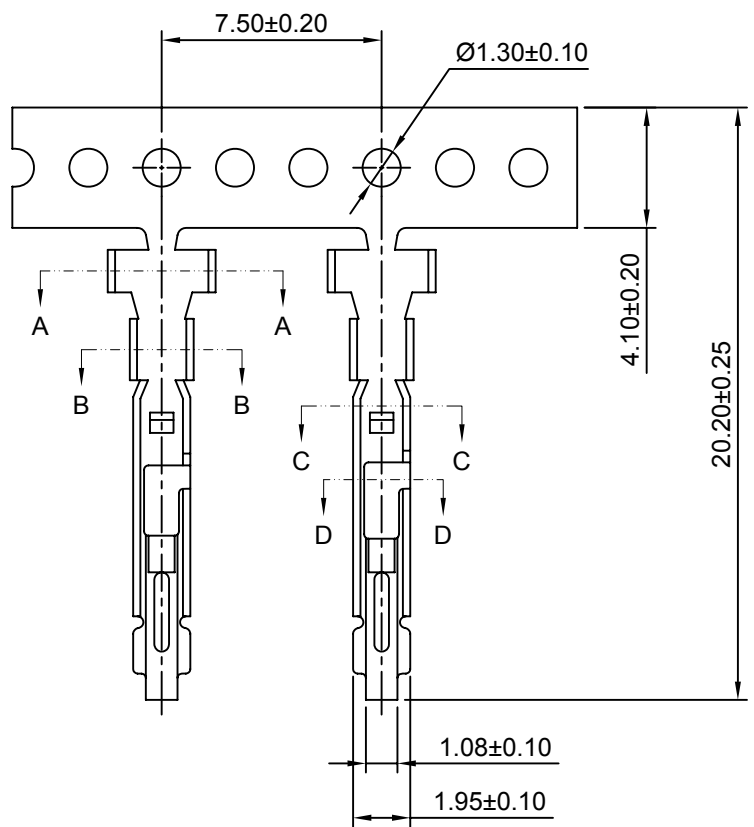
深圳市华德共创科技有限公司

Shenzhen Huade co-create Technology Co.,LTD

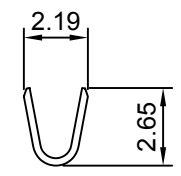
TEL : 0755-27129737 FAX : 0755-29940187

-TOLERANCES- UNLESS OTHERWISE SPECIFIED 公差参数表				TITLE: 产品名称: 2.54mm Pitch Crimp Terminal	
X.X	±0.30	X.X°	±3°	APPD: 核准: XIE	PART NO: 产品编号: HDGC2543M-T-A
X.XX	±0.30	X.XX°	±2°	CHECK: 校对: WANG	DATE
X.XXX	±0.10	X.XXX°	±1°	DRAW: 绘图: WANG	SCALE
					UNIT
					CODE NUMBER
					A008

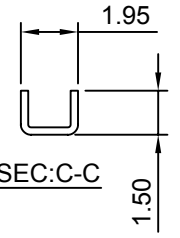
修订 REV	标记 MARK	修改摘要 REVISION DESCRIPTION	签名 SIGNATURE	日期 DATE
AO		NEW RELEASE	WANG	2013-09-29



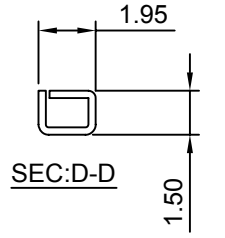
SEC:A-A



SEC:B-B




SEC:C-C




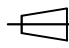
SEC:D-D

Ordering information & Specifications

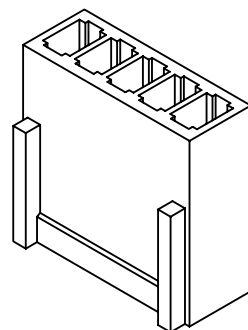
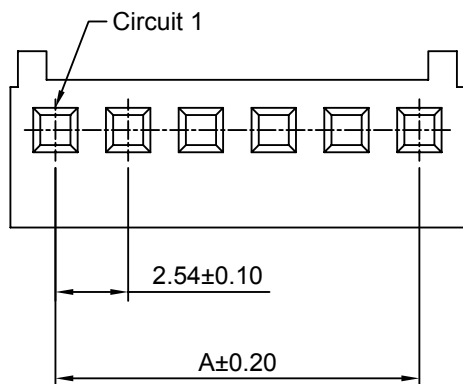
Part No	Wire Range	Insulation O.D.	Material	Finish	Qty/reel
HDGC2543M-GP-A-H	AWG#20-#28	2.00mm(max)	Phosphor Bronze	Gold over Nickel	5,000 PCS



深圳市华德共创科技有限公司
 Shenzhen Huade co-create Technology Co.,LTD
 TEL : 0755-27129737 FAX : 0755-29940187

-TOLERANCES- UNLESS OTHERWISE SPECIFIED 公差参数表			 	TITLE: 2.54mm Pitch 产品名称: Crimp Terminal							
X.X	±0.30	X.X°	±3°	APPD: 核准:	XIE			PART NO: 产品编号:	HDGC2543M-T-A-H		
X.XX	±0.30	X.XX°	±2°	CHECK: 校对:	WANG			DATE	SCALE	UNIT	CODE NUMBER
X.XXX	±0.10	X.XXX°	±1°	DRAW: 绘图:	WANG			2013-09-29	4:1	mm	A008

修订 REV	标记 MARK	修改摘要 REVISION DESCRIPTION	签名 SIGNATURE	日期 DATE
AO		NEW RELEASE	WANG	2013-09-29



Ordering Information:

HDGC2543H-XP - **

1 2

1.Part No.

2.Style:

1- (blank)-Type 1/Beige

2- Type 2/White

SPECIFICATIONS:

Current Rating: 4A AC,DC

Voltage Rating: 250V AC,DC

Temperature Range: -25°C ~ +85°C

Contact Resistance: 10mΩ Max

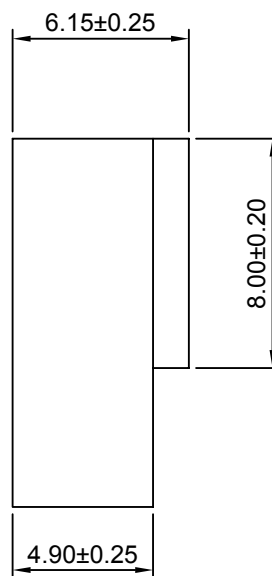
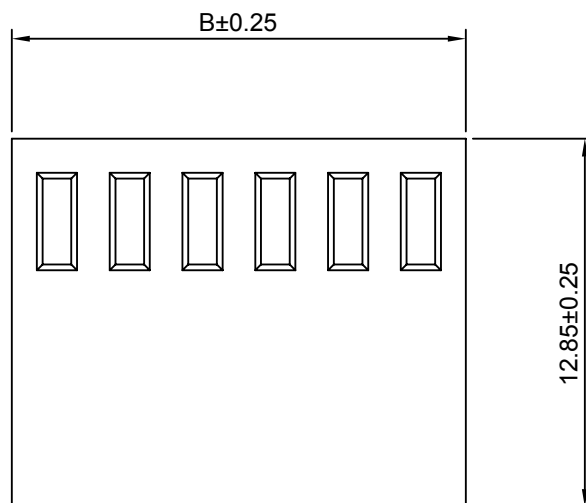
Insulation Resistance: 1000MΩ Min

Withstanding Voltage: 1000V AC/minute

Material: Nylon 66,UL94V-0(Beige)

Ordering Information & Dimensions

Circuits	Dimensions(mm)		Circuits	Dimensions(mm)	
	A	B		A	B
2P	2.54	5.68	12P	27.94	31.08
3P	5.08	8.22	13P	30.48	33.62
4P	7.62	10.76	14P	33.02	36.16
5P	10.16	13.30	15P	35.56	38.70
6P	12.70	15.84	16P	38.10	41.24
7P	15.24	18.38	17P	40.64	43.78
8P	17.78	20.92	18P	43.18	46.32
9P	20.32	23.46	19P	45.72	48.86
10P	22.86	26.00	20P	48.26	51.40
11P	25.40	28.54			



TYPE 1



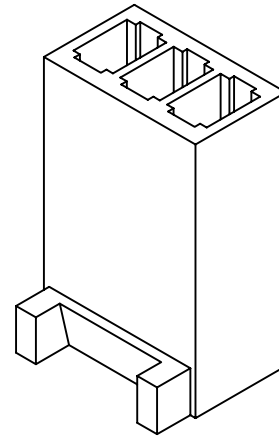
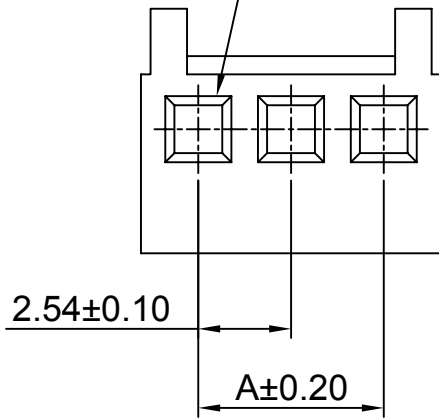
TYPE 2

HDGC 深圳市华德共创科技有限公司
 Shenzhen Huade co-create Technology Co.,LTD
 TEL : 0755-27129737 FAX : 0755-29940187

-TOLERANCES- UNLESS OTHERWISE SPECIFIED 公差参数表						TITLE: 2.54mm Pitch Housing 产品名称:			
X.X	±0.30	X.X°	±3°	APPD: 核准:	XIE	PART NO: 产品编号: HDGC2543H-XP			
X.XX	±0.30	X.XX°	±2°	CHECK: 校对:	WANG	DATE	SCALE	UNIT	CODE NUMBER
X.XXX	±0.10	X.XXX°	±1°	DRAW: 绘图:	WANG	2013-09-29	4:1	mm	A008

修订 REV	标记 MARK	修改摘要 REVISION DESCRIPTION	签名 SIGNATURE	日期 DATE
AO		NEW RELEASE	WANG	2013-09-29

Circuit 1



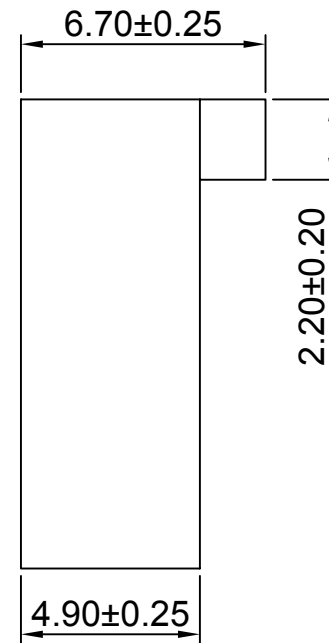
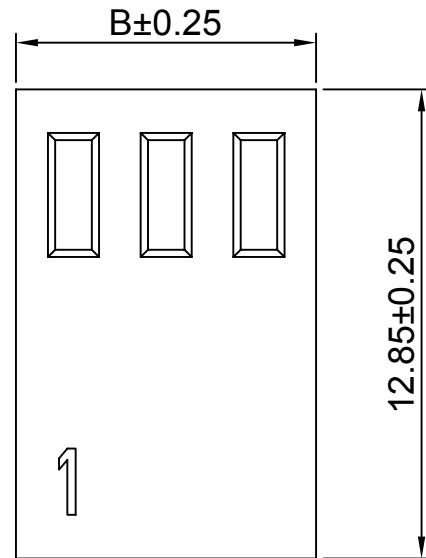
SPECIFICATIONS

Current Rating: 4A AC,DC
Voltage Rating: 250V AC,DC
Temperature Range: -25°C ~ +85°C
Contact Resistance: 10mΩ Max
Insulation Resistance: 1000MΩ Min
Withstanding Voltage: 1000V AC/minute
Material: Nylon 66,UL94V-0(White)

Ordering Information & Dimensions

PART NO.	Dimensions	
	A	B
HDGC2543HA-2P-WH	2.54	5.68
HDGC2543HA-3P-WH	5.08	8.22
HDGC2543HA-4P-WH	7.62	10.76
HDGC2543HA-5P-WH	10.16	13.30
HDGC2543HA-6P-WH	12.70	15.84
HDGC2543HA-7P-WH	15.24	18.38
HDGC2543HA-8P-WH	17.78	20.92
HDGC2543HA-9P-WH	20.32	23.46
HDGC2543HA-10P-WH	22.86	26.00
HDGC2543HA-11P-WH	25.40	28.54
HDGC2543HA-12P-WH	27.94	31.08
HDGC2543HA-13P-WH	30.48	33.62
HDGC2543HA-14P-WH	33.02	36.16
HDGC2543HA-15P-WH	35.56	38.70
HDGC2543HA-16P-WH	38.10	41.24
HDGC2543HA-17P-WH	40.64	43.78
HDGC2543HA-18P-WH	43.18	46.32
HDGC2543HA-19P-WH	45.72	48.86
HDGC2543HA-20P-WH	48.26	51.40

Unit: mm

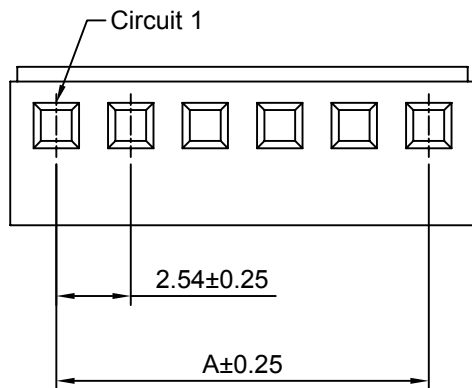


深圳市华德共创科技有限公司

Shenzhen Huade co-create Technology Co.,LTD
TEL : 0755-27129737 FAX : 0755-29940187

-TOLERANCES- UNLESS OTHERWISE SPECIFIED 公差参数表						TITLE: 2.54mm Pitch Housing 产品名称:			
X.X	±0.30	X.X°	±3°	APPD: 核准:	XIE	PART NO: HDGC2543HA-XP-WH 产品编号:			
X.XX	±0.30	X.XX°	±2°	CHECK: 校对:	WANG	DATE	SCALE	UNIT	CODE NUMBER
X.XXX	±0.10	X.XXX°	±1°	DRAW: 绘图:	WANG	2013-09-29	1:1	mm	A008

修订 REV	标记 MARK	修改摘要 REVISION DESCRIPTION	签名 SIGNATURE	日期 DATE
AO		NEW RELEASE	WANG	2013-09-29



Ordering Information:

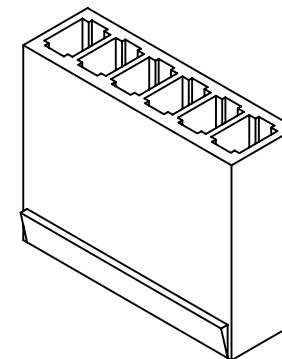
HDGC2543HB - **
1 2

1.Part No.

2.Color:

(blank):Brown

WH:White



SPECIFICATIONS:

Current Rating: 4A AC,DC

Voltage Rating: 250V AC,DC

Temperature Range: -25°C ~ +85°C

Contact Resistance: 10mΩ Max

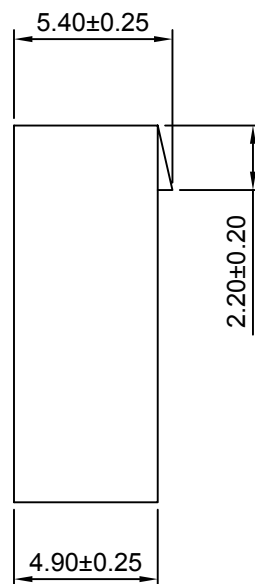
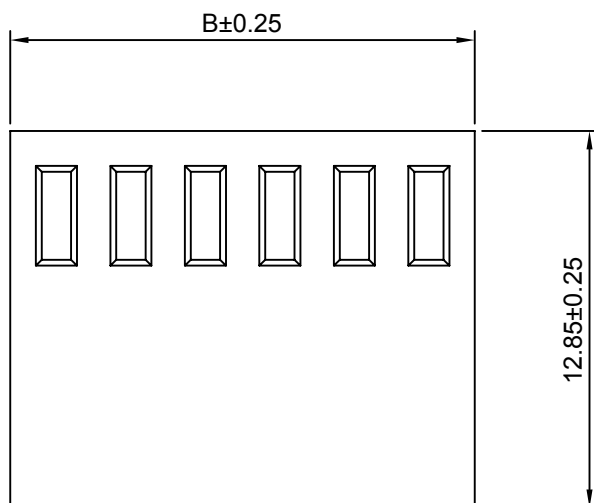
Insulation Resistance: 1000MΩ Min

Withstanding Voltage: 1000V AC/minute

Material: Nylon 66,UL94V-0(Brown)

Ordering Information & Dimensions

Circuits	Dimensions(mm)		Circuits	Dimensions(mm)	
	A	B		A	B
2P	2.54	5.68	12P	27.94	31.08
3P	5.08	8.22	13P	30.48	33.62
4P	7.62	10.76	14P	33.02	36.16
5P	10.16	13.30	15P	35.56	38.70
6P	12.70	15.84	16P	38.10	41.24
7P	15.24	18.38	17P	40.64	43.78
8P	17.78	20.92	18P	43.18	46.32
9P	20.32	23.46	19P	45.72	48.86
10P	22.86	26.00	20P	48.26	51.40
11P	25.40	28.54			



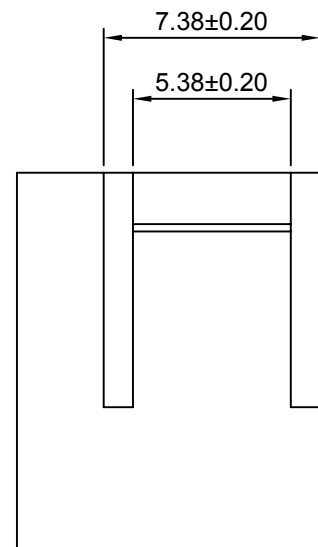
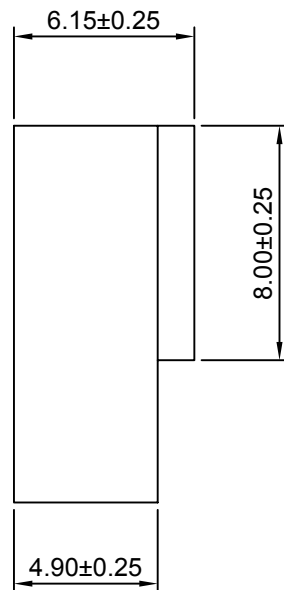
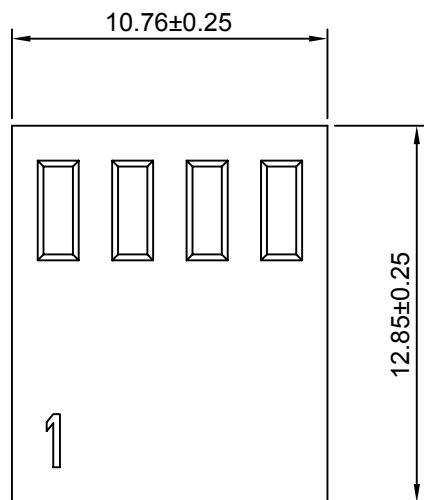
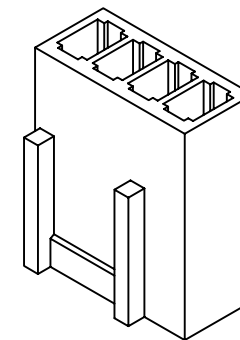
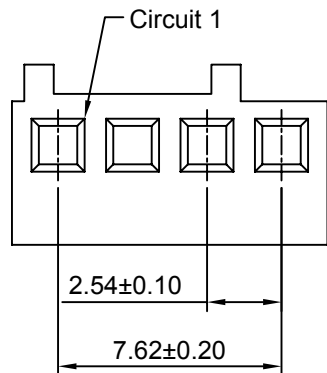
深圳市华德共创科技有限公司

Shenzhen Huade co-create Technology Co.,LTD

TEL : 0755-27129737 FAX : 0755-29940187

-TOLERANCES- UNLESS OTHERWISE SPECIFIED 公差参数表					TITLE: 2.54mm Pitch Housing 产品名称: 2.54mm Pitch Housing							
X.X	±0.30	X.X°	±3°	APPD: 核准:	XIE				PART NO: 产品编号:	HDGC2543HB-XP		
X.XX	±0.30	X.XX°	±2°	CHECK: 校对:	WANG				DATE	SCALE	UNIT	CODE NUMBER
X.XXX	±0.10	X.XXX°	±1°	DRAW: 绘图:	WANG				2013-09-29	4:1	mm	A008

修订 REV	标记 MARK	修改摘要 REVISION DESCRIPTION	签名 SIGNATURE	日期 DATE
AO		NEW RELEASE	WANG	2013-09-29



SPECIFICATIONS:
 Current Rating: 4A AC,DC
 Voltage Rating: 250V AC,DC
 Temperature Range: -25°C ~ +85°C
 Contact Resistance: 10mΩ Max
 Insulation Resistance: 1000MΩ Min
 Withstanding Voltage: 1000V AC/minute
 Material: Nylon 66,UL94V-0(Beige)

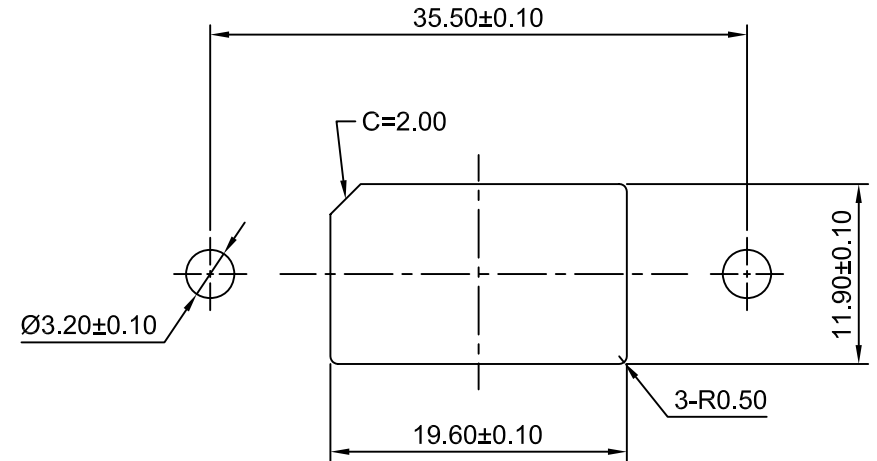
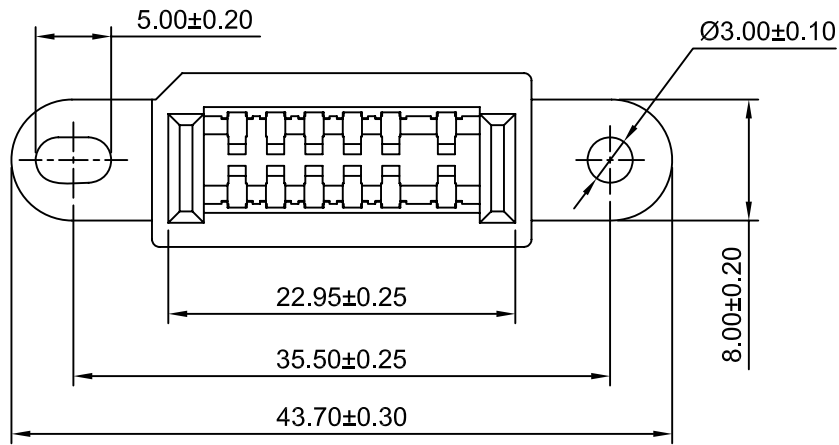


深圳市华德共创科技有限公司

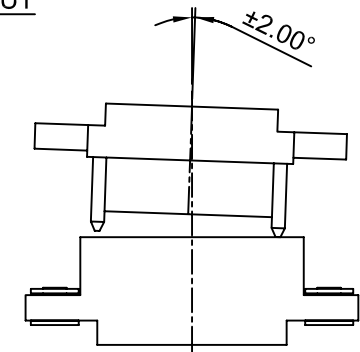
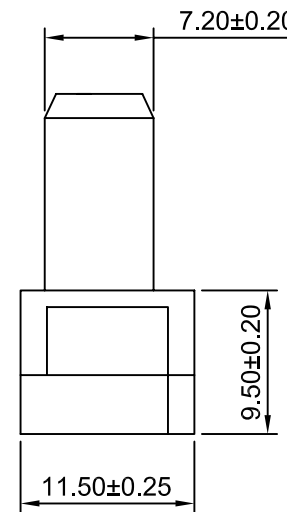
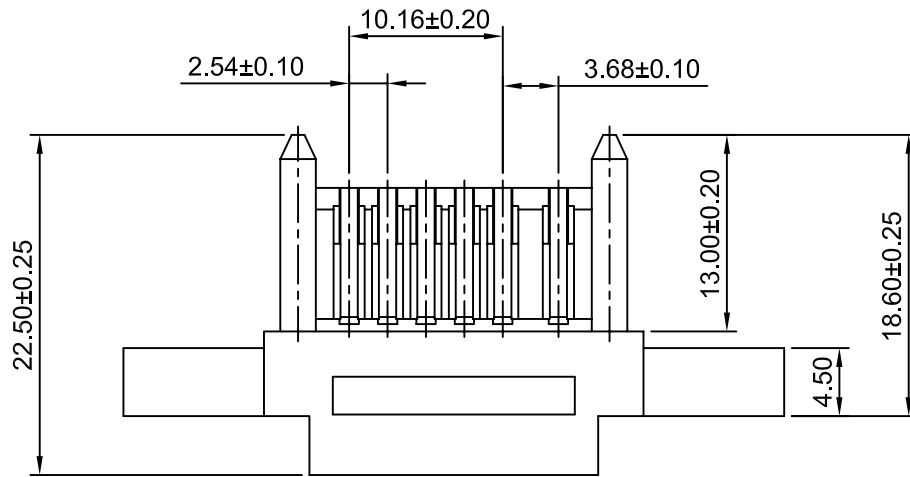
Shenzhen Huade co-create Technology Co.,LTD
 TEL : 0755-27129737 FAX : 0755-29940187

-TOLERANCES- UNLESS OTHERWISE SPECIFIED 公差参数表						TITLE: 产品名称: 2.54mm Pitch Housing			
X.X	±0.30	X.X°	±3°	APPD: 核准:	XIE	PART NO: 产品编号: HDGC2543HC-4P			
X.XX	±0.30	X.XX°	±2°	CHECK: 校对:	WANG	DATE	SCALE	UNIT	CODE NUMBER
X.XXX	±0.10	X.XXX°	±1°	DRAW: 绘图:	WANG	2013-09-29	4:1	mm	A008

修订 REV	标记 MARK	修改摘要 REVISION DESCRIPTION	签名 SIGNATURE	日期 DATE
AO		NEW RELEASE	WANG	2013-09-29

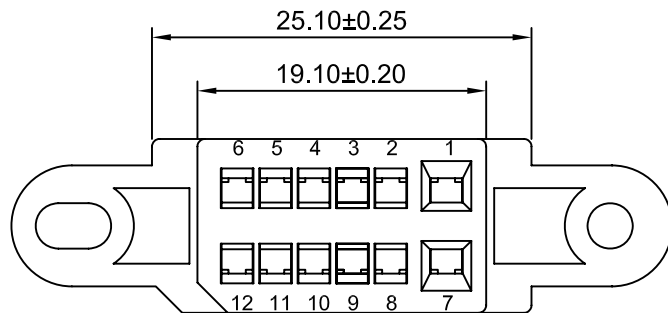


P.C.B LAYOUT



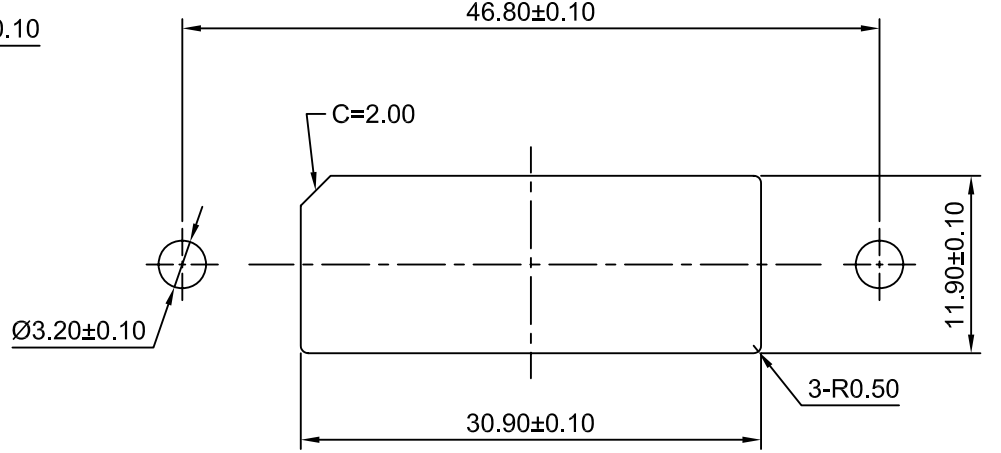
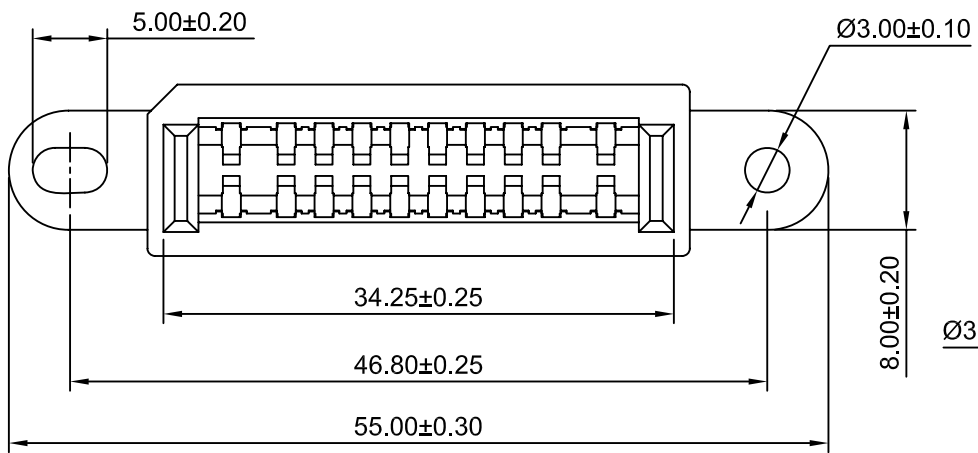
SPECIFICATIONS:

Current Rating: 5A AC,DC
Voltage Rating: 250V/600V AC,DC
Temperature Range: -25°C ~ +85°C
Contact Resistance: 10mΩ Max
Insulation Resistance: 5000MΩ Min
Withstanding Voltage: 1000V/2000V AC/minute
Material: PBT,UL94V-0(Black)

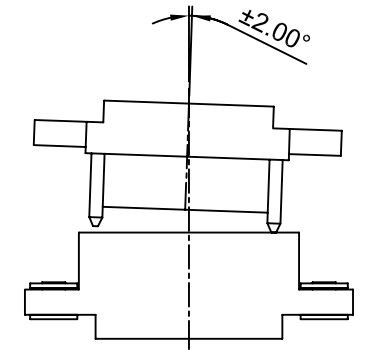
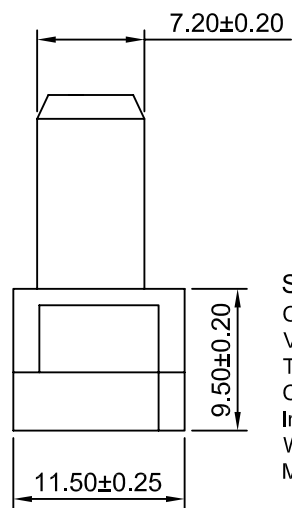
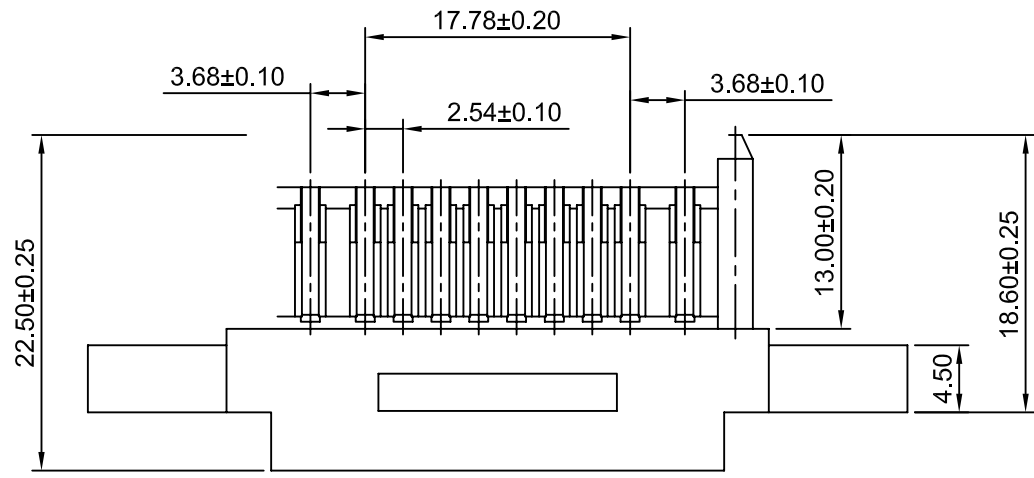


		深圳市华德共创科技有限公司 Shenzhen Huade co-create Technology Co.,LTD TEL : 0755-27129737 FAX : 0755-29940187						
-TOLERANCES- UNLESS OTHERWISE SPECIFIED 公差参数表					TITLE: 产品名称 : 2.54mm Pitch Housing			
X.X	±0.30	X.X°	±3°	APPD: 核准 : XIE	PART NO: 产品编号 : HDGC2543HFA-2x6P			
X.XX	±0.30	X.XX°	±2°	CHECK: 校对 : WANG	DATE	SCALE	UNIT	CODE NUMBER
X.XXX	±0.10	X.XXX°	±1°	DRAW: 绘图 : WANG	2015-08-23	2:1	mm	A008

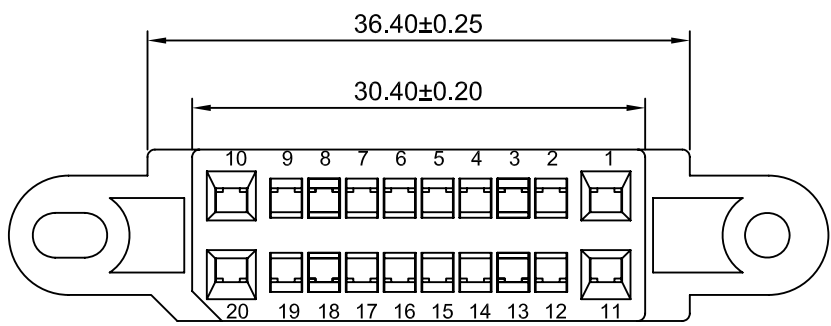
修订 REV	标记 MARK	修改摘要 REVISION DESCRIPTION	签名 SIGNATURE	日期 DATE
AO		NEW RELEASE	WANG	2013-09-29



P.C.B LAYOUT

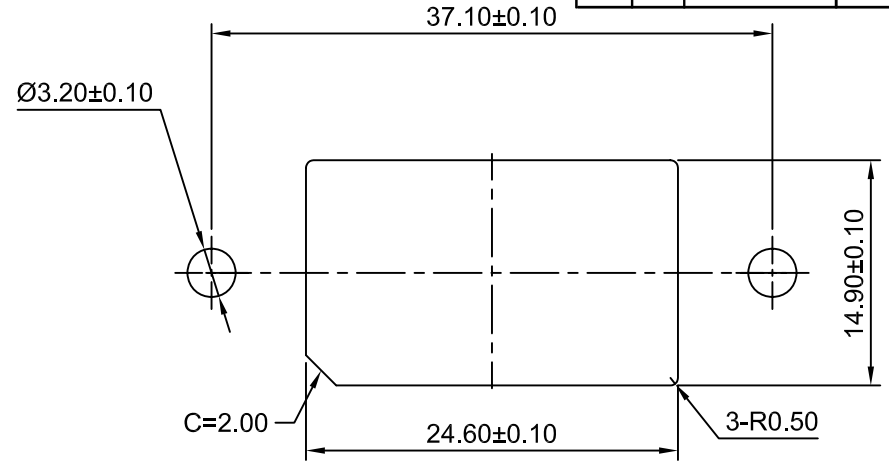
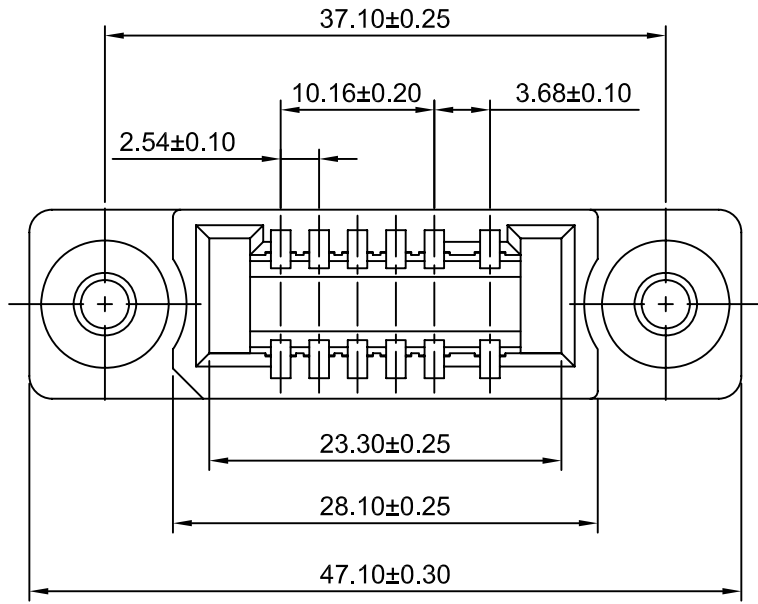


SPECIFICATIONS:
 Current Rating: 5A AC,DC
 Voltage Rating: 250V/600V AC,DC
 Temperature Range: -25°C ~ +85°C
 Contact Resistance: 10mΩ Max
 Insulation Resistance: 5000MΩ Min
 Withstanding Voltage: 1000V/2000V AC/minute
 Material: PBT,UL94V-0(Black)

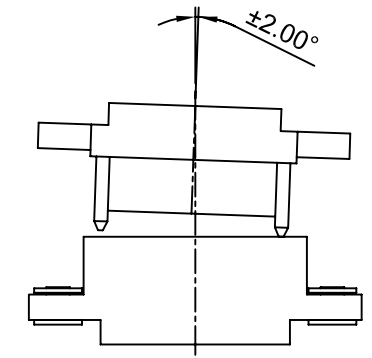
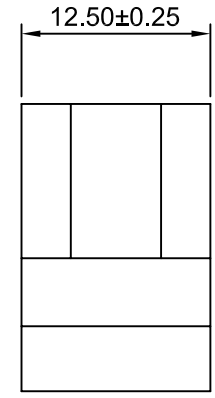
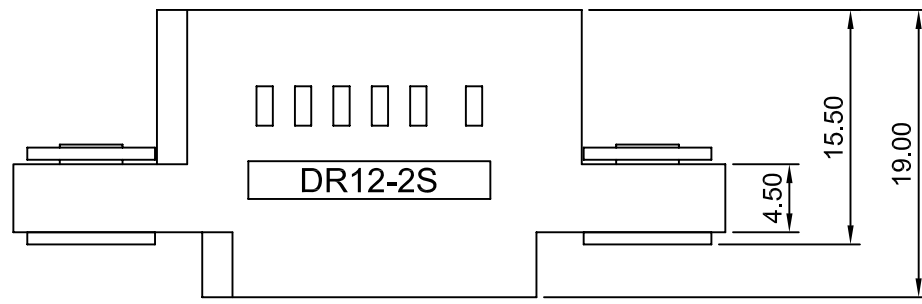


		深圳市华德共创科技有限公司 Shenzhen Huade co-create Technology Co.,LTD TEL : 0755-27129737 FAX : 0755-29940187			
		-TOLERANCES- UNLESS OTHERWISE SPECIFIED 公差参数表		TITLE: 2.54mm Pitch Housing 产品名称: 2.54mm Pitch Housing	
X.X	±0.30	X.X°	±3°	APPD: 核准: XIE	PART NO: HDGC2543HFA-2x10P 产品编号:
X.XX	±0.30	X.XX°	±2°	CHECK: 校对: WANG	DATE SCALE UNIT CODE NUMBER
X.XXX	±0.10	X.XXX°	±1°	DRAW: 绘图: WANG	2015-08-23 2:1 mm A008

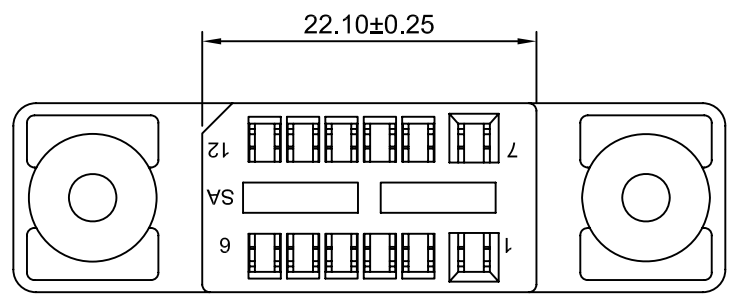
修订 REV	标记 MARK	修改摘要 REVISION DESCRIPTION	签名 SIGNATURE	日期 DATE
AO		NEW RELEASE	WANG	2013-09-29



P.C.B LAYOUT

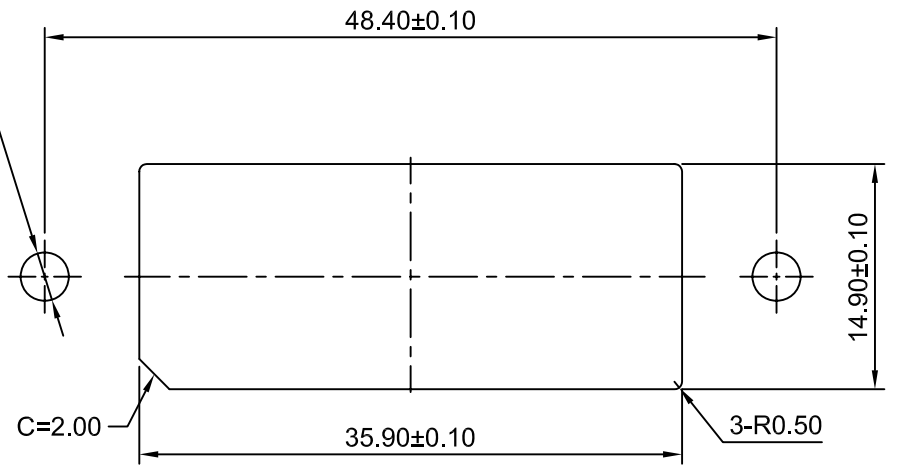
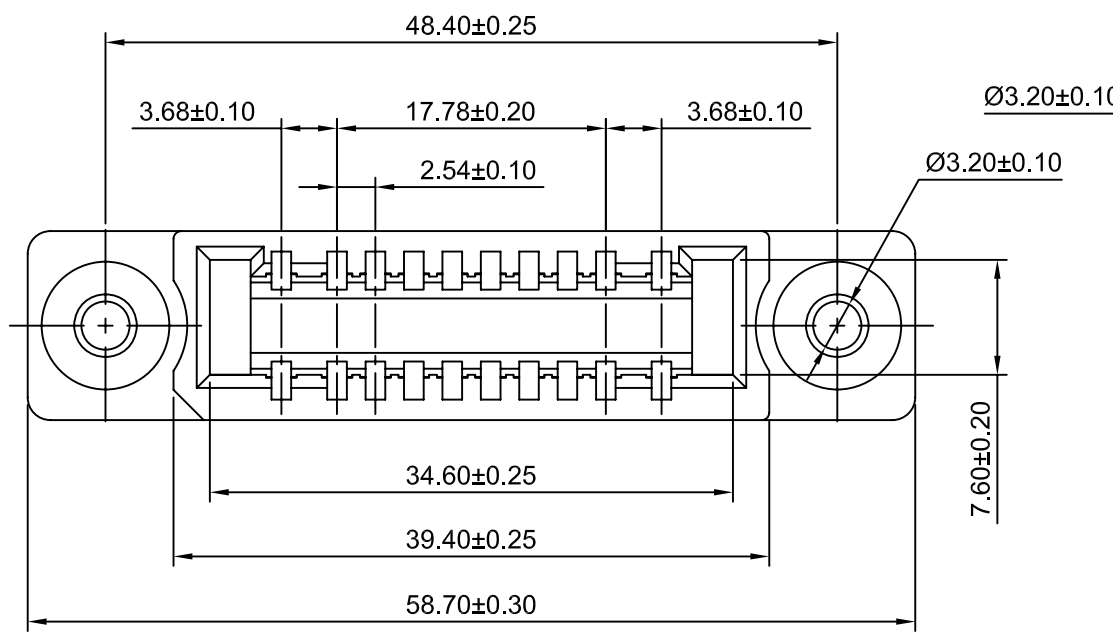


SPECIFICATIONS:
 Current Rating: 5A AC,DC
 Voltage Rating: 250V/600V AC,DC
 Temperature Range: -25°C ~ +85°C
 Contact Resistance: 10mΩ Max
 Insulation Resistance: 5000MΩ Min
 Withstanding Voltage: 1000V/2000V AC/minute
 Material: PBT,UL94V-0(Black)

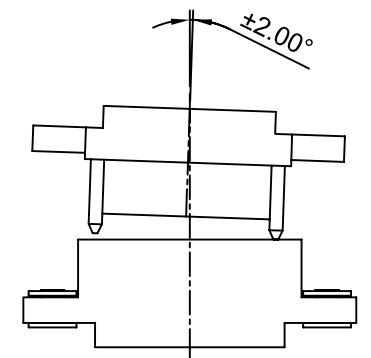
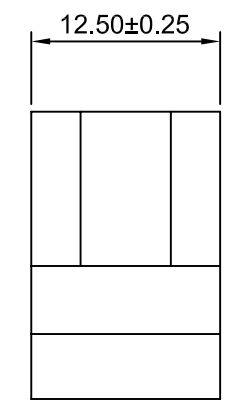


				深圳市华德共创科技有限公司 Shenzhen Huade co-create Technology Co.,LTD TEL : 0755-27129737 FAX : 0755-29940187					
-TOLERANCES- UNLESS OTHERWISE SPECIFIED 公差参数表						TITLE: 产品名称: 2.54mm Pitch Housing			
X.X	±0.30	X.X°	±3°	APPD: 核准:	XIE	PART NO: 产品编号: HDGC2543HMA-2x6P			
X.XX	±0.30	X.XX°	±2°	CHECK: 校对:	WANG	DATE	SCALE	UNIT	CODE NUMBER
X.XXX	±0.10	X.XXX°	±1°	DRAW: 绘图:	WANG	2015-08-23	2:1	mm	A008

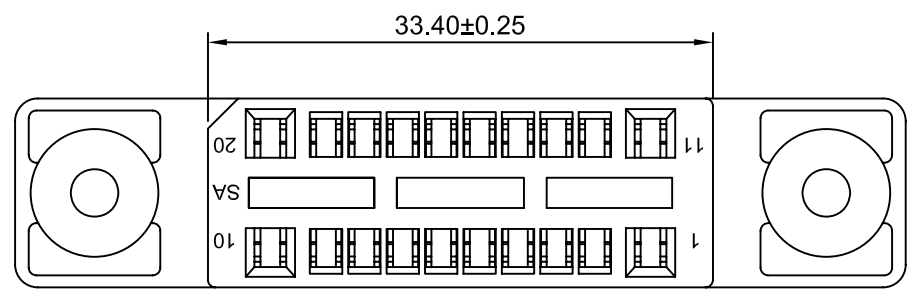
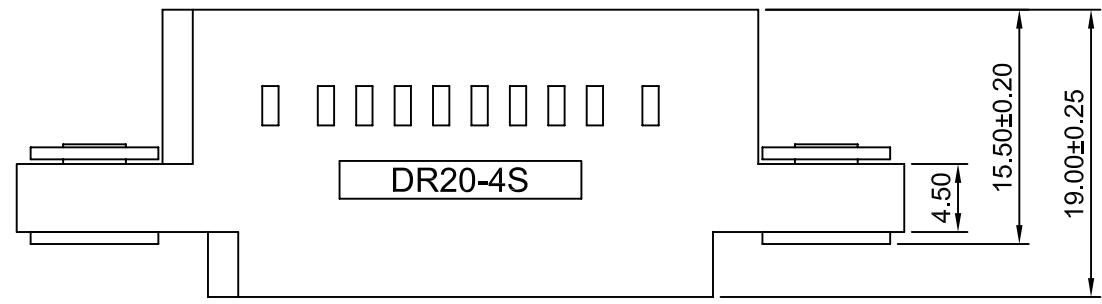
修订 REV	标记 MARK	修改摘要 REVISION DESCRIPTION	签名 SIGNATURE	日期 DATE
AO		NEW RELEASE	WANG	2013-09-29



P.C.B LAYOUT

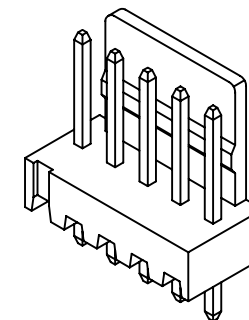
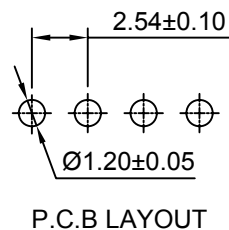
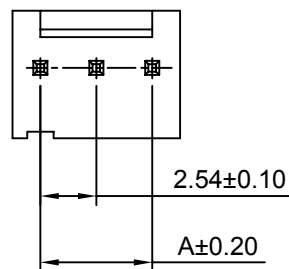
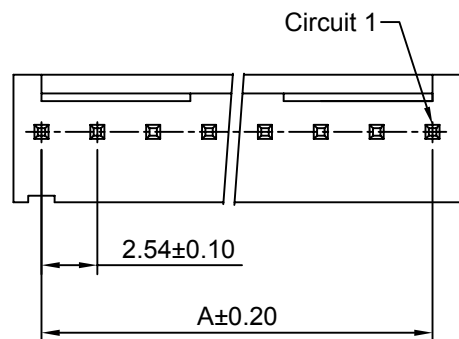


SPECIFICATIONS:
 Current Rating: 5A AC,DC
 Voltage Rating: 250V/600V AC,DC
 Temperature Range: -25°C ~ +85°C
 Contact Resistance: 10mΩ Max
 Insulation Resistance: 5000MΩ Min
 Withstanding Voltage: 1000V/2000V AC/minute
 Material: PBT,UL94V-0(Black)



深圳市华德共创科技有限公司 Shenzhen Huade co-create Technology Co.,LTD TEL : 0755-27129737 FAX : 0755-29940187			
-TOLERANCES- UNLESS OTHERWISE SPECIFIED 公差参数表			TITLE: 2.54mm Pitch Housing 产品名称:
X.X	±0.30	X.X°	±3°
X.XX	±0.30	X.XX°	±2°
X.XXX	±0.10	X.XXX°	±1°
APPD: 核准:	XIE	PART NO: 产品编号:	HDGC2543HMA-2x10P
CHECK: 校对:	WANG	DATE	SCALE
DRAW: 绘图:	WANG	2015-08-23	2:1
		UNIT	CODE NUMBER
		mm	A008

修订 REV	标记 MARK	修改摘要 REVISION DESCRIPTION	签名 SIGNATURE	日期 DATE
AO		NEW RELEASE	WANG	2013-09-29

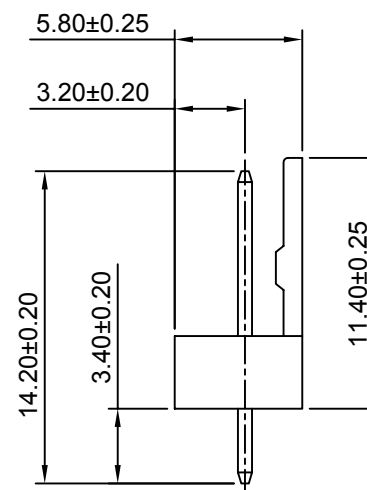
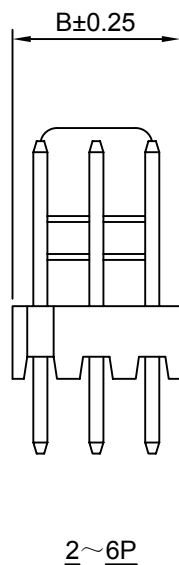
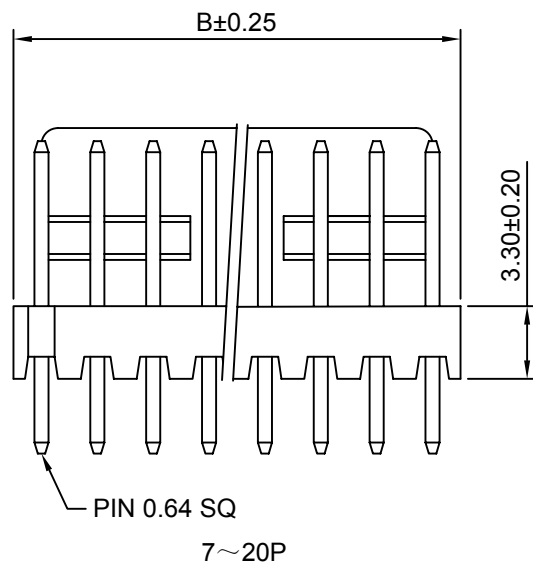


SPECIFICATIONS:

Current Rating: 4A AC,DC
Voltage Rating: 250V AC,DC
Temperature Range: -25°C ~ +85°C
Contact Resistance: 10mΩ Max
Insulation Resistance: 1000MΩ Min
Withstanding Voltage: 1000V AC/minute
Pin Material: Brass/Tin over Nickel
Material: Nylon 66, UL94V-0 (Beige)

Ordering Information & Dimensions

Circuits	Dimensions(mm)		Circuits	Dimensions(mm)	
	A	B		A	B
2P	2.54	5.08	12P	27.94	30.48
3P	5.08	7.62	13P	30.48	33.02
4P	7.62	10.16	14P	33.02	35.56
5P	10.16	12.70	15P	35.56	38.10
6P	12.70	15.24	16P	38.10	40.64
7P	15.24	17.78	17P	40.64	43.18
8P	17.78	20.32	18P	43.18	45.72
9P	20.32	22.86	19P	45.72	48.26
10P	22.86	25.40	20P	48.26	50.80
11P	25.40	27.94			



深圳市华德共创科技有限公司

Shenzhen Huade co-create Technology Co., LTD

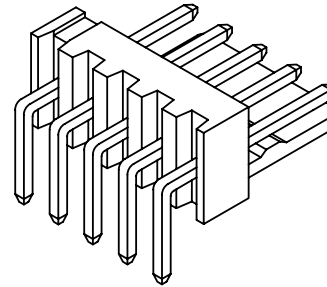
TEL : 0755-27129737 FAX : 0755-29940187

-TOLERANCES- UNLESS OTHERWISE SPECIFIED 公差参数表						TITLE: 2.54mm Pitch 产品名称: 180° Wafer			
X.X	±0.30	X.X°	±3°	APPD: 核准:	XIE	PART NO: 产品编号: HDGC2543WV-XP			
X.XX	±0.30	X.XX°	±2°	CHECK: 校对:	WANG	DATE	SCALE	UNIT	CODE NUMBER
X.XXX	±0.10	X.XXX°	±1°	DRAW: 绘图:	WANG	2013-09-29	3:1	mm	A008

修订 REV	标记 MARK	修改摘要 REVISION DESCRIPTION	签名 SIGNATURE	日期 DATE
AO		NEW RELEASE	WANG	2013-09-29

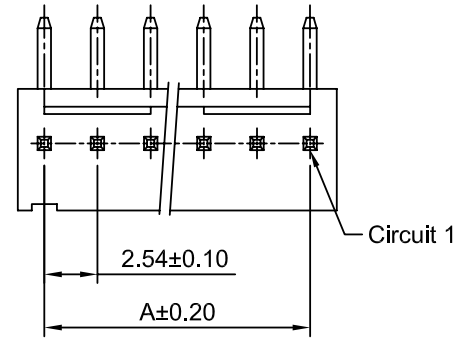
SPECIFICATIONS:

Current Rating: 4A AC,DC
Voltage Rating: 250V AC,DC
Temperature Range: -40°C ~ +105°C
Contact Resistance: 10mΩ Max
Insulation Resistance: 1000MΩ Min
Withstanding Voltage: 1000V AC/minute
Pin Material: Brass/Tin over Nickel
Material: Nylon 66, UL94V-0 (Beige)
Ordering Information & Dimensions



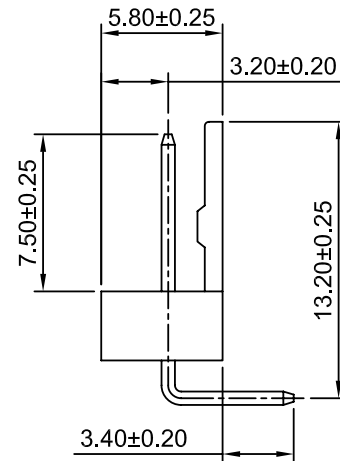
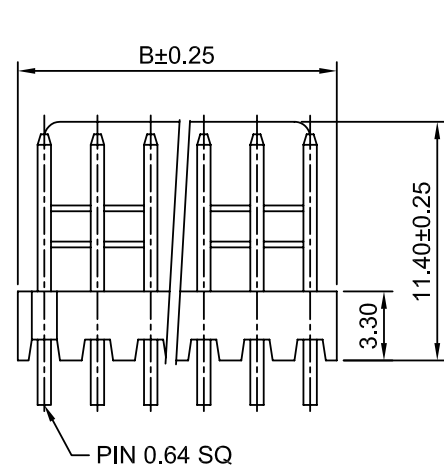
PART NO.	Dimensions	
	A	B
HDGC2543WR-2P	2.54	5.08
HDGC2543WR-3P	5.08	7.62
HDGC2543WR-4P	7.62	10.16
HDGC2543WR-5P	10.16	12.70
HDGC2543WR-6P	12.70	15.24
HDGC2543WR-7P	15.24	17.78
HDGC2543WR-8P	17.78	20.32
HDGC2543WR-9P	20.32	22.86
HDGC2543WR-10	22.86	25.40
HDGC2543WR-11	25.40	27.94
HDGC2543WR-12	27.94	30.48
HDGC2543WR-13	30.48	33.02
HDGC2543WR-14	33.02	35.56
HDGC2543WR-15	35.56	38.10
HDGC2543WR-16	38.10	40.64
HDGC2543WR-17	40.64	43.18
HDGC2543WR-18	43.18	45.72
HDGC2543WR-19	45.72	48.26
HDGC2543WR-20	48.26	50.80

Unit: mm

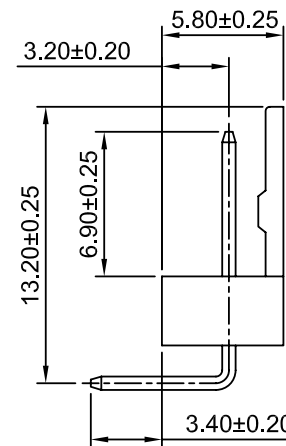


Ordering Information:
HDGC2543WR-XP - **

- 1.Part No.
2.Style:
1 - Type 1(blank)
2 - Type 2



TYPE 1



TYPE 2



深圳市华德共创科技有限公司

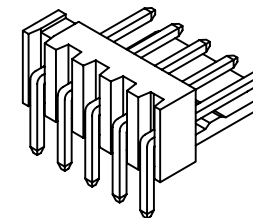
Shenzhen Huade co-create Technology Co.,LTD
TEL : 0755-27129737 FAX : 0755-29940187

-TOLERANCES- UNLESS OTHERWISE SPECIFIED 公差参数表						TITLE: 2.54mm Pitch 产品名称: 90° Wafer			
X.X	±0.30	X.X°	±3°	APPD: 核准:	XIE	PART NO: 产品编号: HDGC2543WR-XP			
X.XX	±0.30	X.XX°	±2°	CHECK: 校对:	WANG	DATE	SCALE	UNIT	CODE NUMBER
X.XXX	±0.10	X.XXX°	±1°	DRAW: 绘图:	WANG	2013-09-29	1:1	mm	A008

修订 REV	标记 MARK	修改摘要 REVISION DESCRIPTION	签名 SIGNATURE	日期 DATE
AO		NEW RELEASE	WANG	2013-09-29

Ordering Information:
HDGC2543WR-XP-L - **
1 2

- Part No.
- Style:
(blank) - Type 1
2 - Type 2

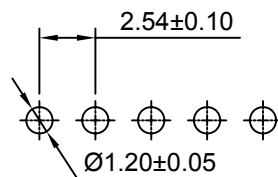
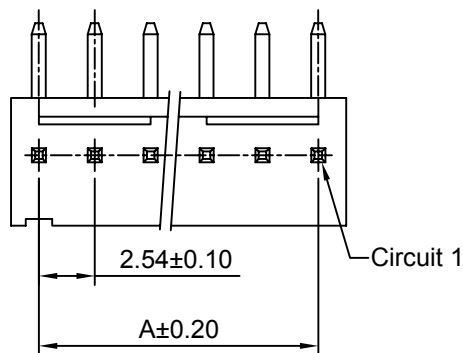


SPECIFICATIONS:

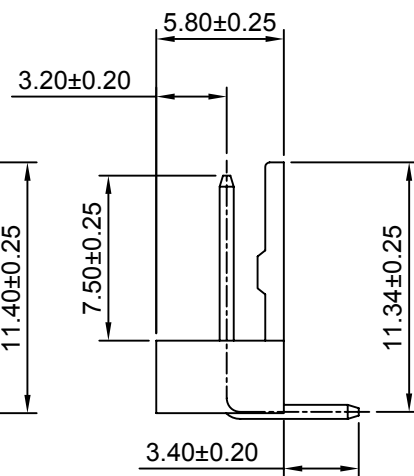
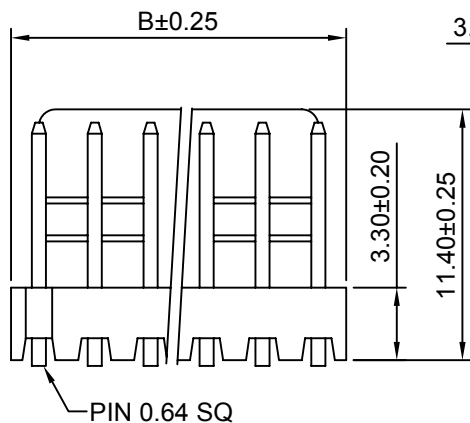
Current Rating: 4A AC,DC
Voltage Rating: 250V AC,DC
Temperature Range: -25°C ~ +85°C
Contact Resistance: 10mΩ Max
Insulation Resistance: 1000MΩ Min
Withstanding Voltage: 1000V AC/minute
Pin Material: Brass/Tin over Nickel
Material: Nylon 66, UL94V-0(White)

Ordering Information & Dimensions

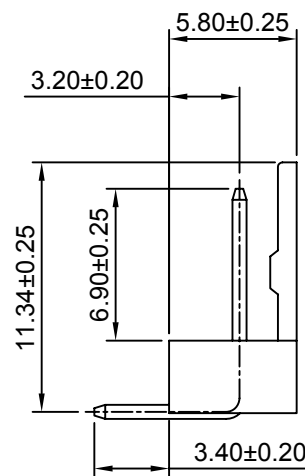
Circuits	Dimensions(mm)		Circuits	Dimensions(mm)	
	A	B		A	B
2P	2.54	5.08	12P	27.94	30.48
3P	5.08	7.62	13P	30.48	33.02
4P	7.62	10.16	14P	33.02	35.56
5P	10.16	12.70	15P	35.56	38.10
6P	12.70	15.24	16P	38.10	40.64
7P	15.24	17.78	17P	40.64	43.18
8P	17.78	20.32	18P	43.18	45.72
9P	20.32	22.86	19P	45.72	48.26
10P	22.86	25.40	20P	48.26	50.80
11P	25.40	27.94			



P.C.B LAYOUT



TYPE 1



TYPE 2



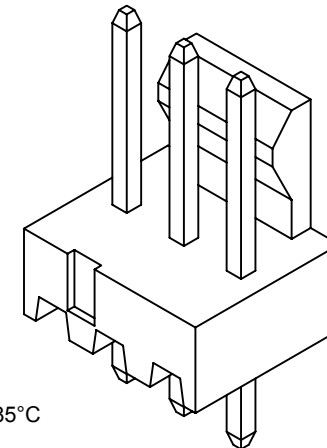
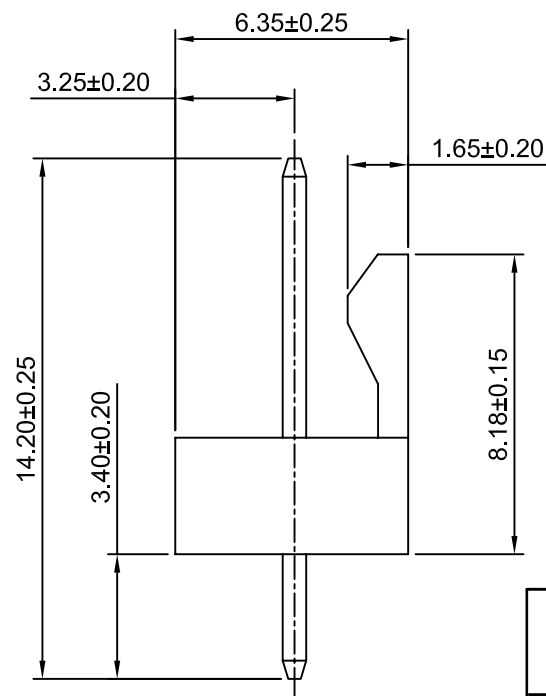
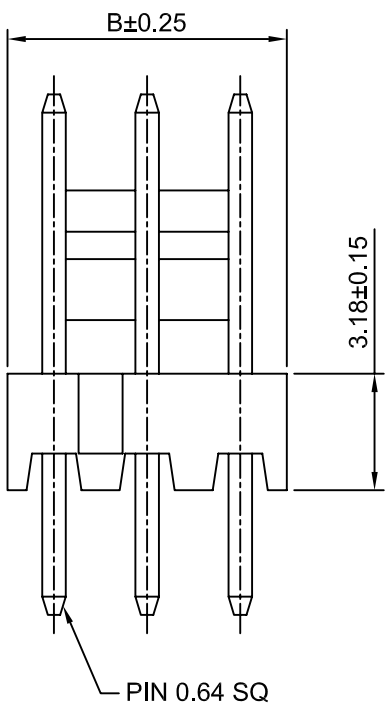
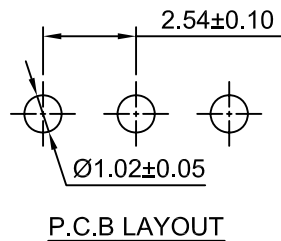
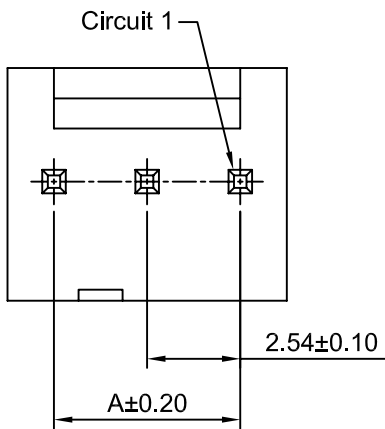
深圳市华德共创科技有限公司

Shenzhen Huade co-create Technology Co., LTD

TEL : 0755-27129737 FAX : 0755-29940187

-TOLERANCES- UNLESS OTHERWISE SPECIFIED 公差参数表				TITLE: 产品名称: 2.54mm Pitch 90° Wafer	
X.X	±0.30	X.X°	±3°	APPD: 核准:	XIE
X.XX	±0.30	X.XX°	±2°	CHECK: 校对:	WANG
X.XXX	±0.10	X.XXX°	±1°	DRAW: 绘图:	WANG
PART NO: 产品编号:			HDGC2543WR-XP-L		
DATE	SCALE	UNIT	CODE NUMBER		
2013-09-29	3:1	mm	A008		

修订 REV	标记 MARK	修改摘要 REVISION DESCRIPTION	签名 SIGNATURE	日期 DATE
AO		NEW RELEASE	WANG	2013-09-29



SPECIFICATIONS:

Current Rating: 4A AC,DC
Voltage Rating: 250V AC,DC
Temperature Range: -25°C ~ +85°C
Contact Resistance: 10mΩ Max
Insulation Resistance: 1000MΩ Min
Withstanding Voltage: 1000V AC/minute
Pin Material: Brass/Tin over Nickel
Material: Nylon 66, UL94V-0(White)

Ordering Information & Dimensions

Circuits	Dimensions(mm)		Circuits	Dimensions(mm)	
	A	B		A	B
2P	2.54	5.08	12P	27.94	30.48
3P	5.08	7.62	13P	30.48	33.02
4P	7.62	10.16	14P	33.02	35.56
5P	10.16	12.70	15P	35.56	38.10
6P	12.70	15.24	16P	38.10	40.64
7P	15.24	17.78	17P	40.64	43.18
8P	17.78	20.32	18P	43.18	45.72
9P	20.32	22.86	19P	45.72	48.26
10P	22.86	25.40	20P	48.26	50.80
11P	25.40	27.94			



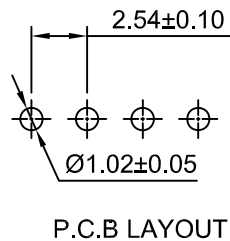
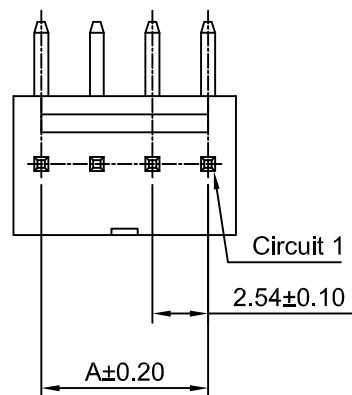
深圳市华德共创科技有限公司

Shenzhen Huade co-create Technology Co.,LTD

TEL : 0755-27129737 FAX : 0755-29940187

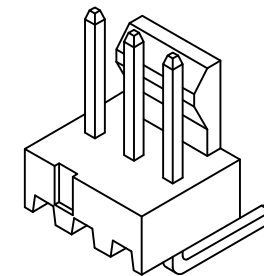
-TOLERANCES- UNLESS OTHERWISE SPECIFIED 公差参数表						TITLE: 2.54mm Pitch 产品名称: 180° Wafer			
X.X	±0.30	X.X°	±3°	APPD: 核准:	XIE	PART NO: 产品编号: HDGC2543WVA-XP-WH			
X.XX	±0.30	X.XX°	±2°	CHECK: 校对:	WANG	DATE	SCALE	UNIT	CODE NUMBER
X.XXX	±0.10	X.XXX°	±1°	DRAW: 绘图:	WANG	2013-09-29	5:1	mm	A008

修订 REV	标记 MARK	修改摘要 REVISION DESCRIPTION	签名 SIGNATURE	日期 DATE
AO		NEW RELEASE	WANG	2013-09-29



Ordering Information:
 HDGC2543WRA-XP - * - **
 1 2 3

- 1.Part No.
 2.Style:
 (blank) - Type 1
 2 - Type 2
 3.Color:
 (blank):Brown
 WH:White

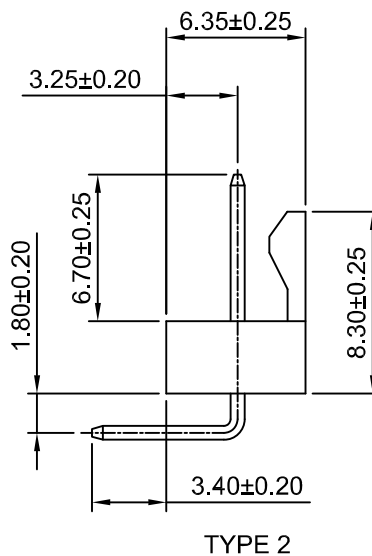
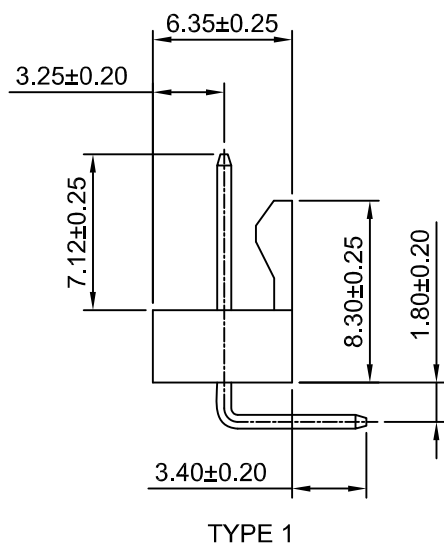
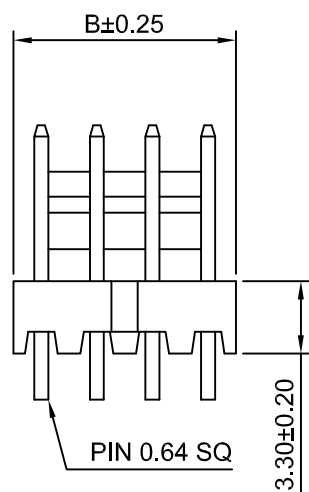


SPECIFICATIONS:

Current Rating: 4A AC,DC
 Voltage Rating: 250V AC,DC
 Temperature Range: -25°C ~ +85°C
 Contact Resistance: 10mΩ Max
 Insulation Resistance: 1000MΩ Min
 Withstanding Voltage: 1000V AC/minute
 Pin Material:Brass/Tin over Nickel
 Material: Nylon 66,UL94V-0(Brown)

Ordering Information & Dimensions

Circuits	Dimensions(mm)		Circuits	Dimensions(mm)	
	A	B		A	B
2P	2.54	5.08	12P	27.94	30.48
3P	5.08	7.62	13P	30.48	33.02
4P	7.62	10.16	14P	33.02	35.56
5P	10.16	12.70	15P	35.56	38.10
6P	12.70	15.24	16P	38.10	40.64
7P	15.24	17.78	17P	40.64	43.18
8P	17.78	20.32	18P	43.18	45.72
9P	20.32	22.86	19P	45.72	48.26
10P	22.86	25.40	20P	48.26	50.80
11P	25.40	27.94			

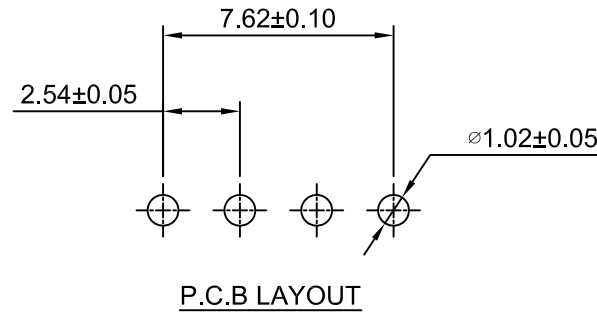
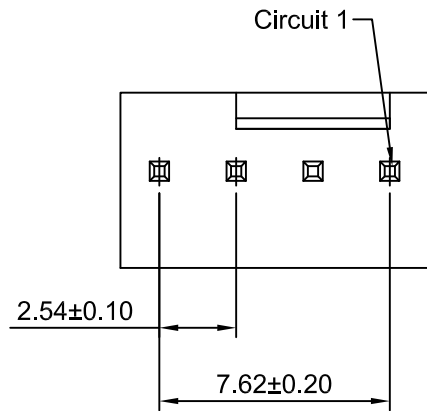


深圳市华德共创科技有限公司

Shenzhen Huade co-create Technology Co.,LTD
 TEL : 0755-27129737 FAX : 0755-29940187

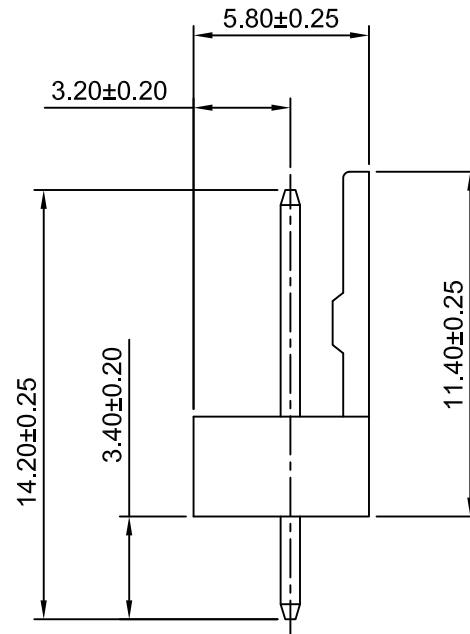
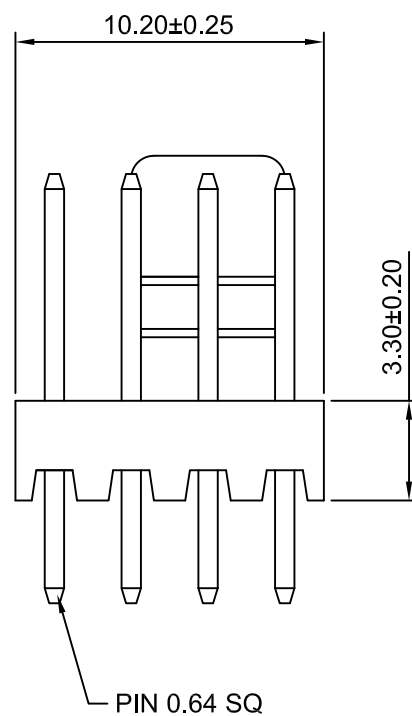
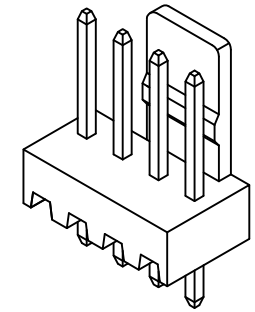
-TOLERANCES- UNLESS OTHERWISE SPECIFIED 公差参数表						TITLE: 2.54mm Pitch 产品名称: 90° Wafer			
X.X	±0.30	X.X°	±3°	APPD: 核准:	XIE	PART NO: 产品编号: HDGC2543WRA-XP			
X.XX	±0.30	X.XX°	±2°	CHECK: 校对:	WANG	DATE	SCALE	UNIT	CODE NUMBER
X.XXX	±0.10	X.XXX°	±1°	DRAW: 绘图:	WANG	2013-09-29	3:1	mm	A008

修订 REV	标记 MARK	修改摘要 REVISION DESCRIPTION	签名 SIGNATURE	日期 DATE
AO		NEW RELEASE	WANG	2013-09-29



Ordering Information:
 HDGC2543WVC-4P - *** - *** - ***
 1 2 3 4

- Part No.
- Material:
 (blank) - Nylon 66,UL94V-0
 GWT - Nylon 66,UL94V-0,GWT 750 °C
- Color:
 (blank) - Beige
 BR - Brown
- Finish:
 (blank) - Tin over Nickel
 G - Gold over Nickel



SPECIFICATIONS:
 Current Rating: 4A AC,DC
 Voltage Rating: 250V AC,DC
 Temperature Range: -25°C ~ +85°C
 Contact Resistance: 10mΩ Max
 Insulation Resistance: 1000MΩ Min
 Withstanding Voltage: 1000V AC/minute
 Pin Material: Brass/Tin over Nickel
 Material: Nylon 66,UL94V-0(Beige)



深圳市华德共创科技有限公司

Shenzhen Huade co-create Technology Co.,LTD
 TEL : 0755-27129737 FAX : 0755-29940187

-TOLERANCES- UNLESS OTHERWISE SPECIFIED 公差参数表			TITLE: 产品名称 : 2.54mm Pitch 180° Wafer	
X.X	±0.30	X.X° ±3°	APPD: 核准 : XIE	PART NO: 产品编号 : HDGC2543WVC-4P
X.XX	±0.30	X.XX° ±2°	CHECK: 校对 : WANG	DATE
X.XXX	±0.10	X.XXX° ±1°	DRAW: 绘图 : WANG	SCALE
				UNIT
				CODE NUMBER
				A008

修订 REV	标记 MARK	修改摘要 REVISION DESCRIPTION	签名 SIGNATURE	日期 DATE
AO		NEW RELEASE	WANG	2015-11-25

Ordering Information:

HDGC2543WRD-XP - *
1 2

1.Part No.

2.Finish:

(blank):Tin over Nickel

G: Gold over Nickel

SPECIFICATIONS:

Current Rating: 4A AC,DC

Voltage Rating: 250V AC,DC

Temperature Range: -25°C ~ +85°C

Contact Resistance: 10mΩ Max

Insulation Resistance: 1000MΩ Min

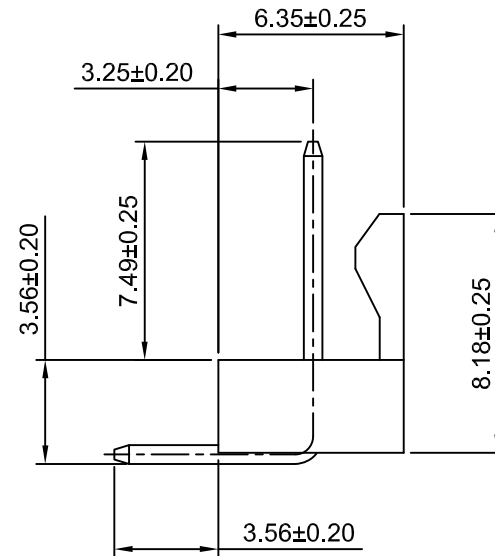
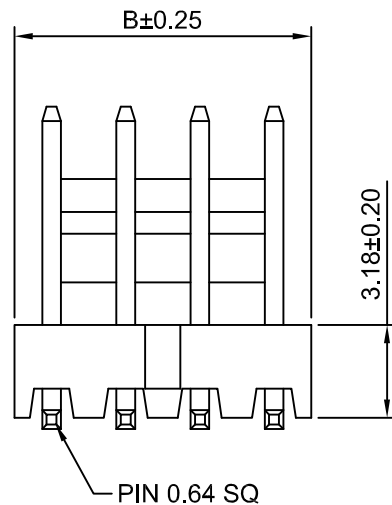
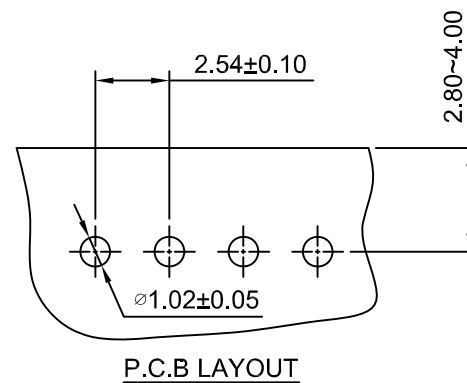
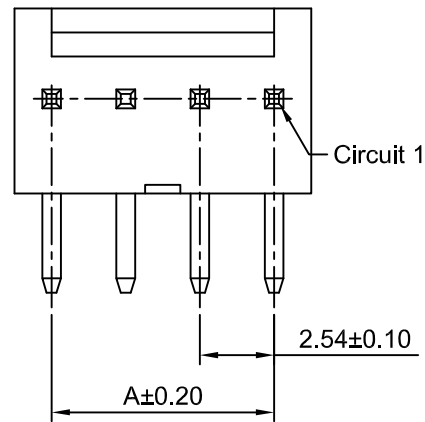
Withstanding Voltage: 1000V AC/minute

Pin Material:Brass/Tin over Nickel

Material: Nylon 66,UL94V-0(White)

Ordering Information & Dimensions

Circuits	Dimensions(mm)		Circuits	Dimensions(mm)	
	A	B		A	B
2P	2,54	5,08	12P	27,94	30,48
3P	5,08	7,62	13P	30,48	33,02
4P	7,62	10,16	14P	33,02	35,56
5P	10,16	12,70	15P	35,56	38,10
6P	12,70	15,24	16P	38,10	40,64
7P	15,24	17,78	17P	40,64	43,18
8P	17,78	20,32	18P	43,18	45,72
9P	20,32	22,86	19P	45,72	48,26
10P	22,86	25,40	20P	48,26	50,80
11P	25,40	27,94			



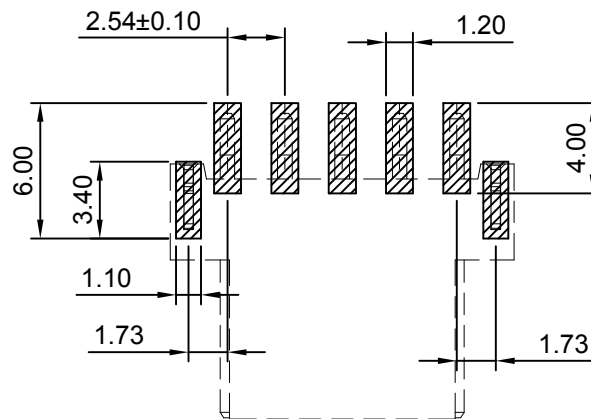
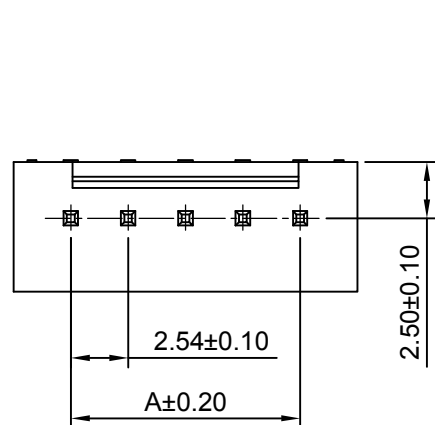
深圳市华德共创科技有限公司

Shenzhen Huade co-create Technology Co.,LTD

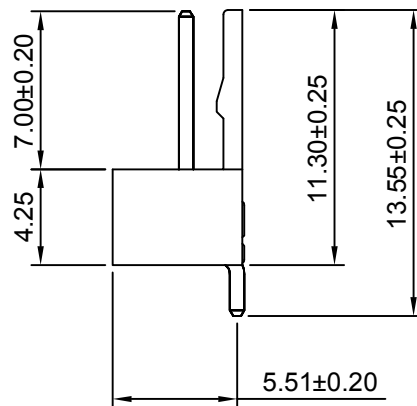
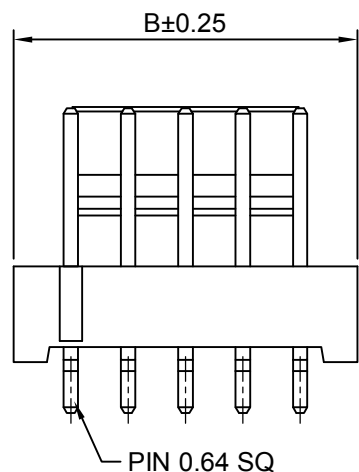
TEL : 0755-27129737 FAX : 0755-29940187

-TOLERANCES- UNLESS OTHERWISE SPECIFIED 公差参数表					TITLE: 2.54mm Pitch 产品名称: 90° Wafer			
X.X	±0.30	X.X°	±3°	APPD: 核准:	XIE			
X.XX	±0.30	X.XX°	±2°	CHECK: 校对:	WANG			
X.XXX	±0.10	X.XXX°	±1°	DRAW: 绘图:	WANG			
				PART NO: 产品编号:	HDGC2543WRD-XP			
		DATE	SCALE	UNIT	CODE NUMBER			
		2015-11-25	4:1	mm	A008			

修订 REV	标记 MARK	修改摘要 REVISION DESCRIPTION	签名 SIGNATURE	日期 DATE
AO		NEW RELEASE	WANG	2015-11-25



P.C.B LAYOUT

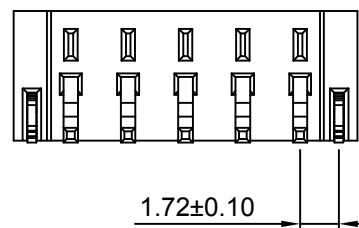


SPECIFICATIONS:

Current Rating: 4A AC,DC
Voltage Rating: 250V AC,DC
Temperature Range: -25°C ~ +85°C
Contact Resistance: 10mΩ Max
Insulation Resistance: 1000MΩ Min
Withstanding Voltage: 1000V AC/minute
Pin Material: Brass/Tin over Nickel
Material: PA9T,UL94V-0(Natural)

Ordering Information & Dimensions

Circuits	Dimensions(mm)	
	A	B
2P	2.54	7.62
4P	7.62	12.70
5P	12.70	15.24



深圳市华德共创科技有限公司
Shenzhen Huade co-create Technology Co.,LTD
TEL : 0755-27129737 FAX : 0755-29940187

-TOLERANCES- UNLESS OTHERWISE SPECIFIED 公差参数表				 TITLE: 2.54mm Pitch 产品名称: 90° Wafer					
X.X	±0.30	X.X°	±3°	APPD: 核准:	XIE	PART NO: 产品编号: HDGC2543WR-S-XP			
X.XX	±0.30	X.XX°	±2°	CHECK: 校对:	WANG	DATE	SCALE	UNIT	CODE NUMBER
X.XXX	±0.10	X.XXX°	±1°	DRAW: 绘图:	WANG	2015-11-25	3:1	mm	A008

修订 REV	标记 MARK	修改摘要 REVISION DESCRIPTION	签名 SIGNATURE	日期 DATE
AO		NEW RELEASE	WANG	2013-09-29

Ordering Information:

HDGC2543WVB-S-XP - $\frac{*}{2}$ $\frac{*}{3}$

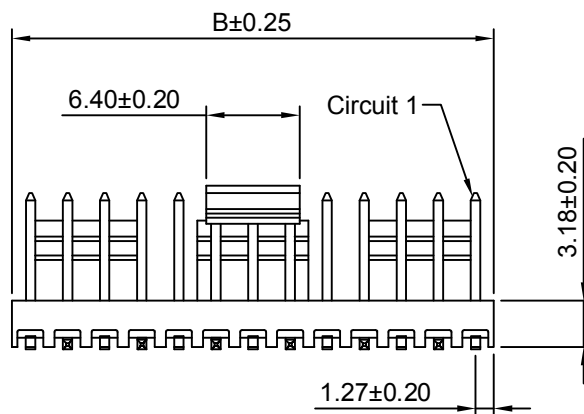
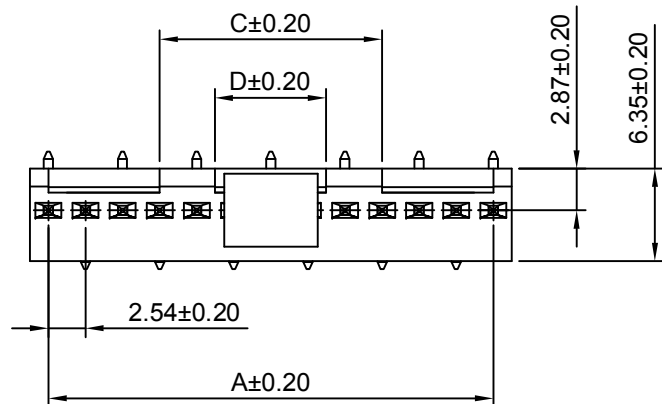
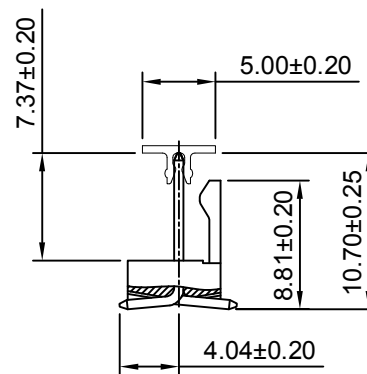
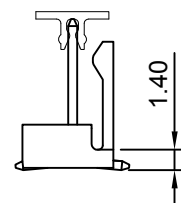
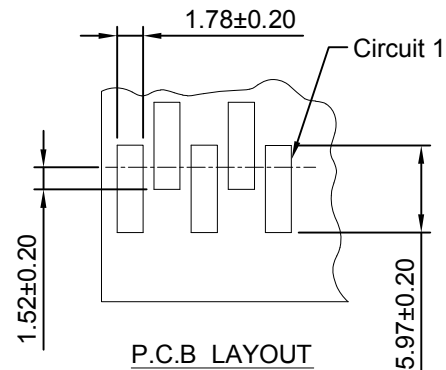
- 1.Part No.
- 2.Color:
(blank)- Ivory
BK - Black
- 3.Finish
(blank)- Tin over Nickel
G - Gold over Nickel

SPECIFICATIONS:

Current Rating: 3A AC,DC
Voltage Rating: 250V AC,DC
Temperature Range: -25°C ~ +85°C
Contact Resistance: 10mΩ Max.
Insulation Resistance: 1000MΩ Min.
Withstanding Voltage: 500V AC/minute
Pin Material: Brass/Tin over Nickel
Material: LCP UL94V-0(Ivory)

Ordering Information & Dimensions

Circuits	Dimensions(mm)				Circuits	Dimensions(mm)			
	A	B	C	D		A	B	C	D
2P	2.54	5.08	---	---	11P	25.40	27.94	7.62	---
3P	5.08	7.62	---	---	12P	27.94	30.48	10.16	7.62
4P	7.62	10.16	---	---	13P	30.48	33.02	12.70	7.62
5P	10.16	12.70	---	---	14P	33.02	35.56	15.24	12.70
6P	12.70	15.24	---	---	15P	35.56	38.10	17.78	12.70
7P	15.24	17.78	---	---	16P	38.10	40.64	20.32	12.70
8P	17.78	20.32	---	---	17P	40.64	43.18	22.86	12.70
9P	20.32	22.86	2.54	---	18P	43.18	45.72	25.40	12.70
10P	22.86	25.40	5.08	---					



HDGC 深圳市华德共创科技有限公司
Shenzhen Huade co-create Technology Co.,LTD
TEL : 0755-27129737 FAX : 0755-29940187

-TOLERANCES- UNLESS OTHERWISE SPECIFIED 公差参数表						TITLE: 2.54mm Pitch 产品名称: 180° Wafer			
X.X	±0.30	X.X°	±3°	APPD: 核准:	XIE	PART NO: 产品编号: HDGC2543WVB-S-XP			
X.XX	±0.30	X.XX°	±2°	CHECK: 校对:	WANG	DATE	SCALE	UNIT	CODE NUMBER
X.XXX	±0.10	X.XXX°	±1°	DRAW: 绘图:	WANG	2013-09-29	2:1	mm	A008