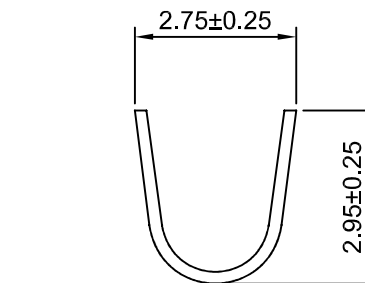
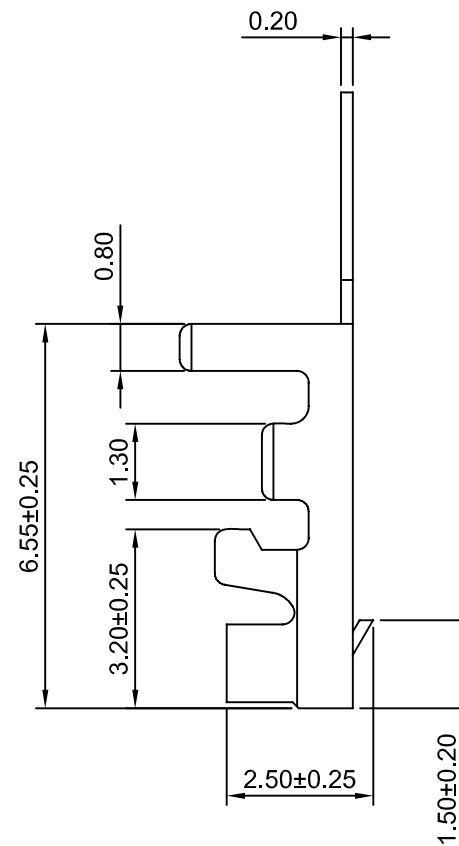
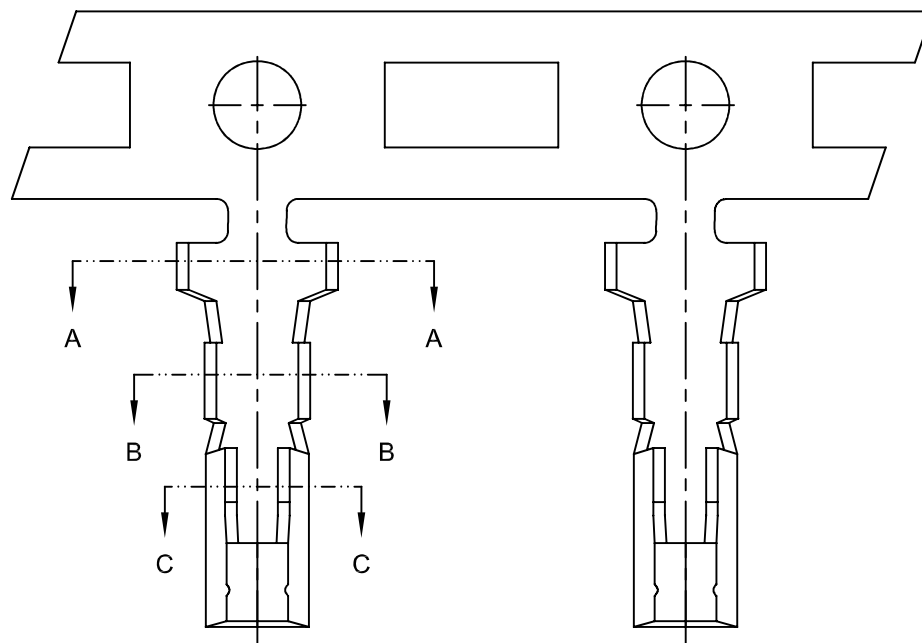
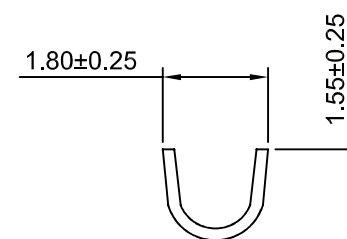


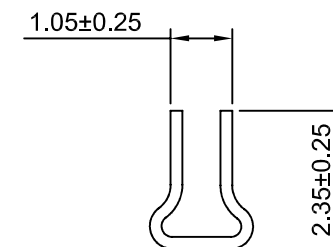
修订 REV	标记 MARK	修改摘要 REVISION DESCRIPTION	签名 SIGNATURE	日期 DATE
AO		NEW RELEASE	WANG	2017-07-10



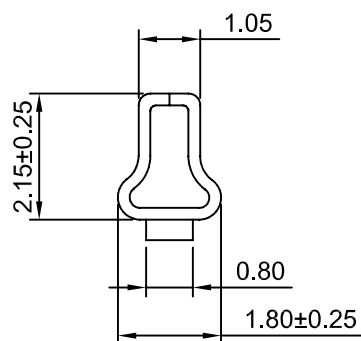
SEC:A-A



SEC:B-B



SEC:C-C



Ordering information & Specifications

Unit:mm

Part No	Wire Range	Insultion O.D.	Material	Finish	Qty/reel
HDGC2523-TP	AWG#22-#28	1.90mm(max)	Phosphor Bronze	Tin over Nickel	10,000 PCS
HDGC2523-GP	AWG#22-#28	1.90mm(max)	Phosphor Bronze	Gold over Nickel	10,000 PCS

Optional Gold plating available but MOQ requested



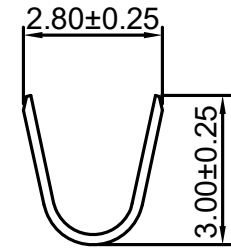
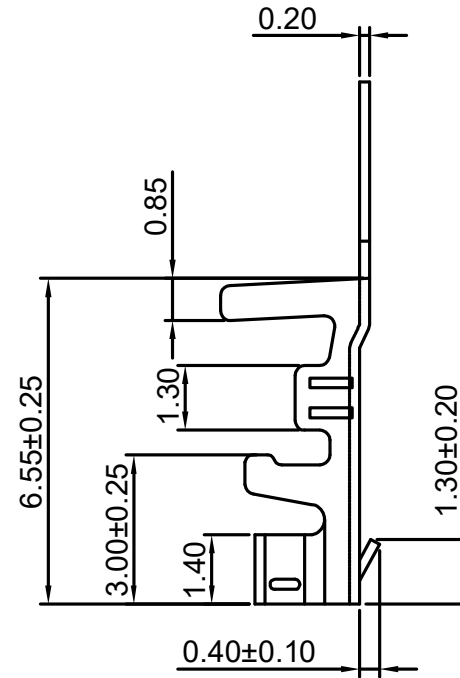
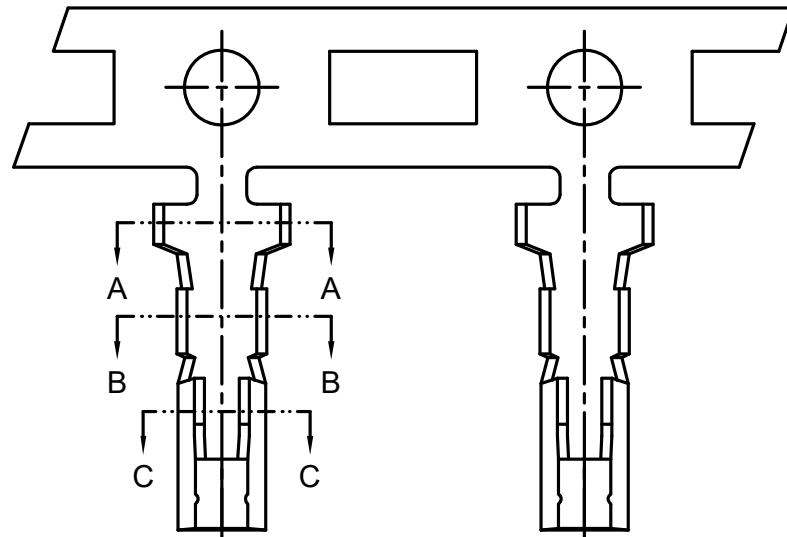
深圳市华德共创科技有限公司

Shenzhen Huade co-create Technology Co.,LTD

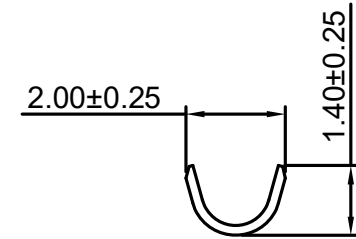
TEL : 0755-27129737 FAX : 0755-29940187

-TOLERANCES- UNLESS OTHERWISE SPECIFIED 公差参数表						TITLE: 2.50mm Pitch 产品名称: Crimp Terminal			
X.X	±0.30	X.X°	±3°	APPD: 核准:	XIE	PART NO: 产品编号: HDGC2523-T			
X.XX	±0.30	X.XX°	±2°	CHECK: 校对:	WANG	DATE	SCALE	UNIT	CODE NUMBER
X.XXX	±0.10	X.XXX°	±1°	DRAW: 绘图:	WANG	2017-07-10	8:1	mm	A008

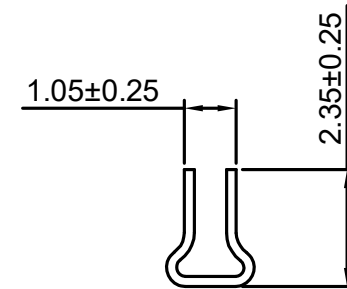
修订 REV	标记 MARK	修改摘要 REVISION DESCRIPTION	签名 SIGNATURE	日期 DATE
AO		NEW RELEASE	WANG	2017-07-10



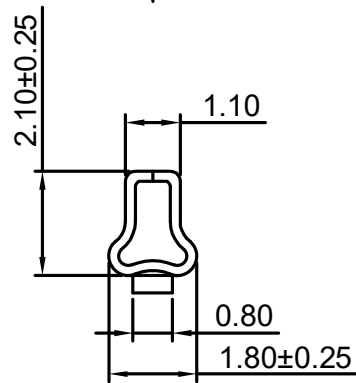
SEC:A-A



SEC:B-B



SEC:C-C



Ordering information & Specifications:

Unit:mm

Part NO	Wire Range	Insulation O.D.	Material	Finish	Qty/reel
HDGC2523-TP-L	AWG#22-#28	1.90mm(max)	Phosphor Bronze	Tin over Nickel	10,000 PCS
HDGC2523-GP-L	AWG#22-#28	1.90mm(max)	Phosphor Bronze	Gold over Nickel	10,000 PCS

Optional Gold plating available but MOQ requested



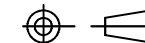
深圳市华德共创科技有限公司

Shenzhen Huade co-create Technology Co.,LTD

TEL : 0755-27129737

FAX : 0755-29940187

-TOLERANCES-
UNLESS OTHERWISE SPECIFIED
公差参数表



TITLE: 2.50mm Pitch
产品名称: Crimp Terminal

X.X ±0.30 X.X° ±3°

APPD:
核准: XIE

PART NO:
产品编号: HDGC2523-T-L

X.XX ±0.30 X.XX° ±2°

CHECK:
校对: WANG

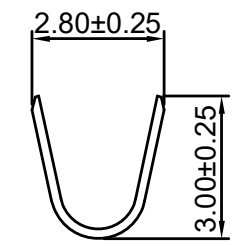
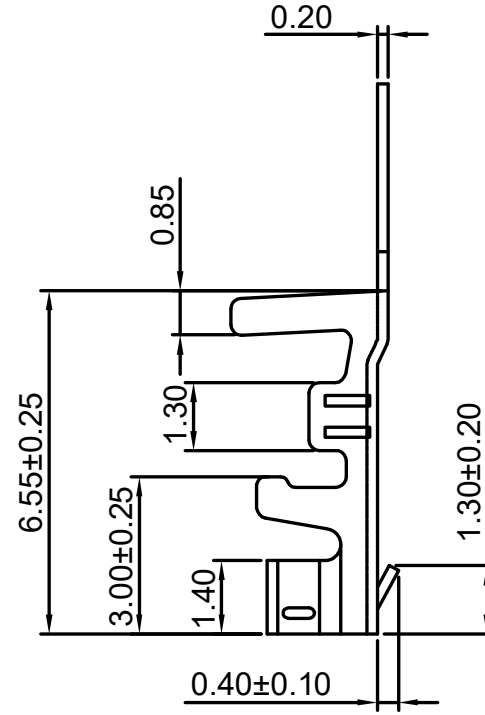
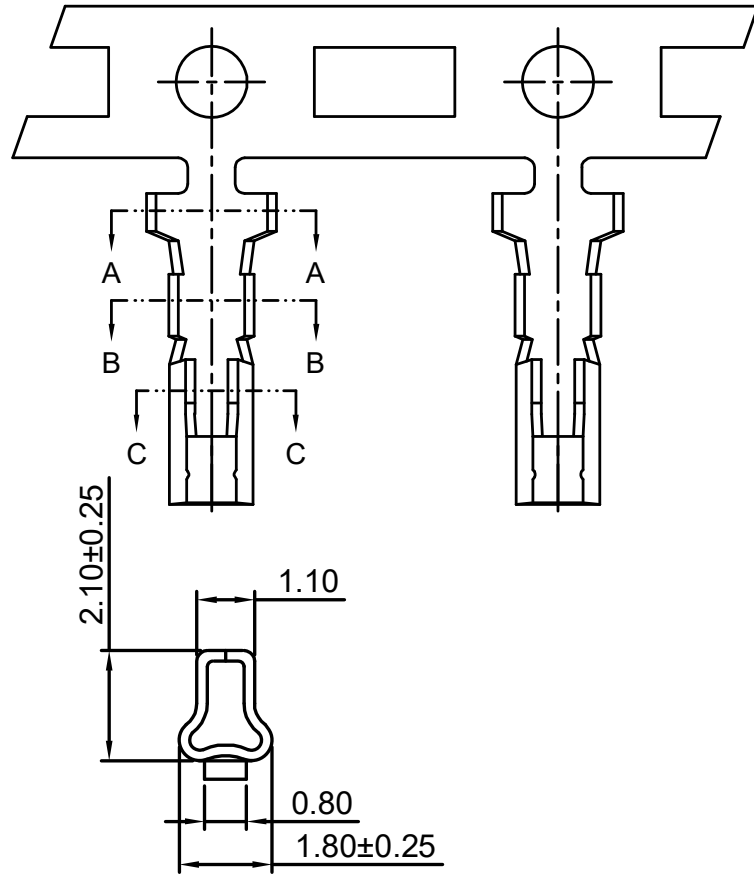
DATE SCALE UNIT CODE NUMBER

X.XXX ±0.10 X.XXX° ±1°

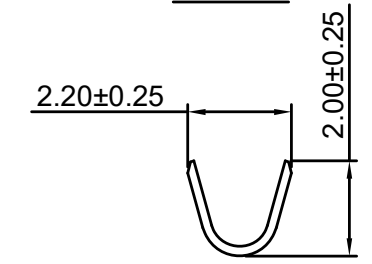
DRAW:
绘图: WANG

2017-07-10 6:1 mm A008

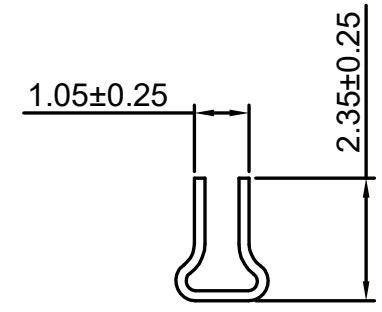
修订 REV	标记 MARK	修改摘要 REVISION DESCRIPTION	签名 SIGNATURE	日期 DATE
AO		NEW RELEASE	WANG	2017-07-10



SEC:A-A



SEC:B-B



SEC:C-C

Ordering information & Specifications:

Unit:mm

Part NO	Wire Range	Insulation O.D.	Material	Finish	Qty/reel
HDGC2523-TP-H	AWG#20-#24	1.90mm(max)	Phosphor Bronze	Tin over Nickel	10,000 PCS
HDGC2523-GP-H	AWG#20-#24	1.90mm(max)	Phosphor Bronze	Gold over Nickel	10,000 PCS

Optional Gold plating available but MOQ requested



深圳市华德共创科技有限公司

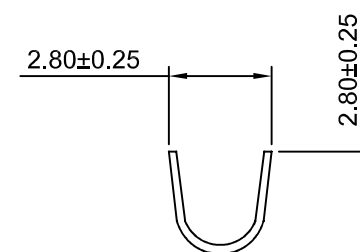
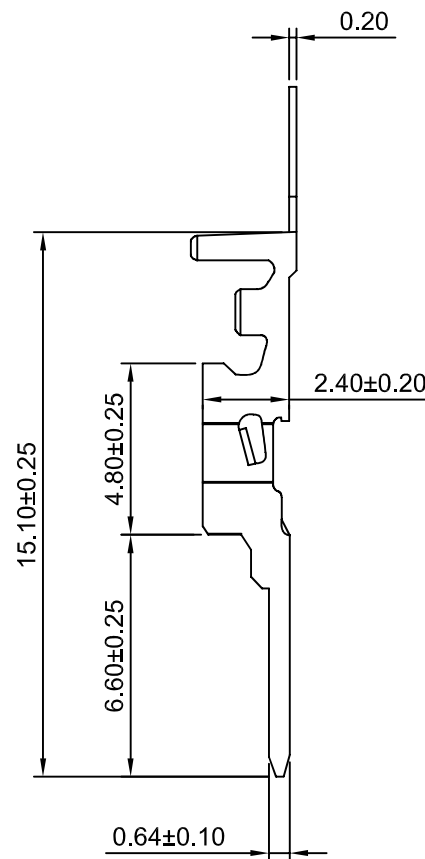
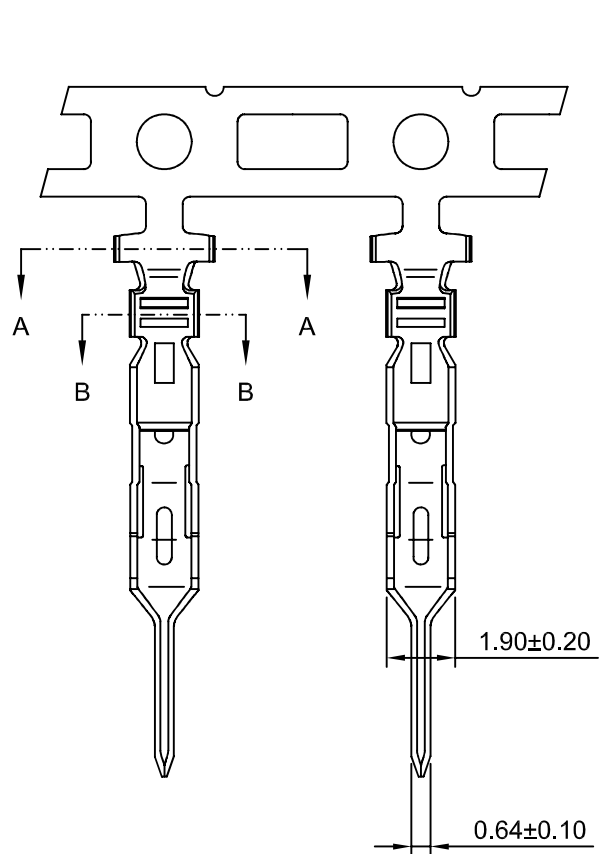
Shenzhen Huade co-create Technology Co.,LTD

TEL : 0755-27129737

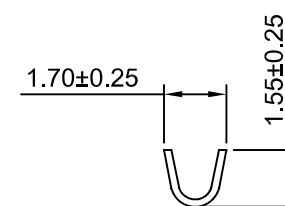
FAX : 0755-29940187

-TOLERANCES- UNLESS OTHERWISE SPECIFIED 公差参数表						TITLE: 2.50mm Pitch 产品名称: Crimp Terminal			
X.X	±0.30	X.X°	±3°	APPD: 核准:	XIE	PART NO: 产品编号: HDGC2523-T-H			
X.XX	±0.30	X.XX°	±2°	CHECK: 校对:	WANG	DATE	SCALE	UNIT	CODE NUMBER
X.XXX	±0.10	X.XXX°	±1°	DRAW: 绘图:	WANG	2017-07-10	6:1	mm	A008

修订 REV	标记 MARK	修改摘要 REVISION DESCRIPTION	签名 SIGNATURE	日期 DATE
AO		NEW RELEASE	WANG	2017-07-10



SEC:A-A



SEC:B-B

Ordering information & Specifications

Unit:mm

Part No	Wire Range	Insultion O.D.	Material	Finish	Qty/reel
HDGC2523M-TP	AWG#22-#28	1.90mm(max)	Phosphor Bronze	Tin over Nickel	7,000 PCS
HDGC2523M-GP	AWG#22-#28	1.90mm(max)	Phosphor Bronze	Gold over Nickel	7,000 PCS

Optional Gold plating available but MOQ requested



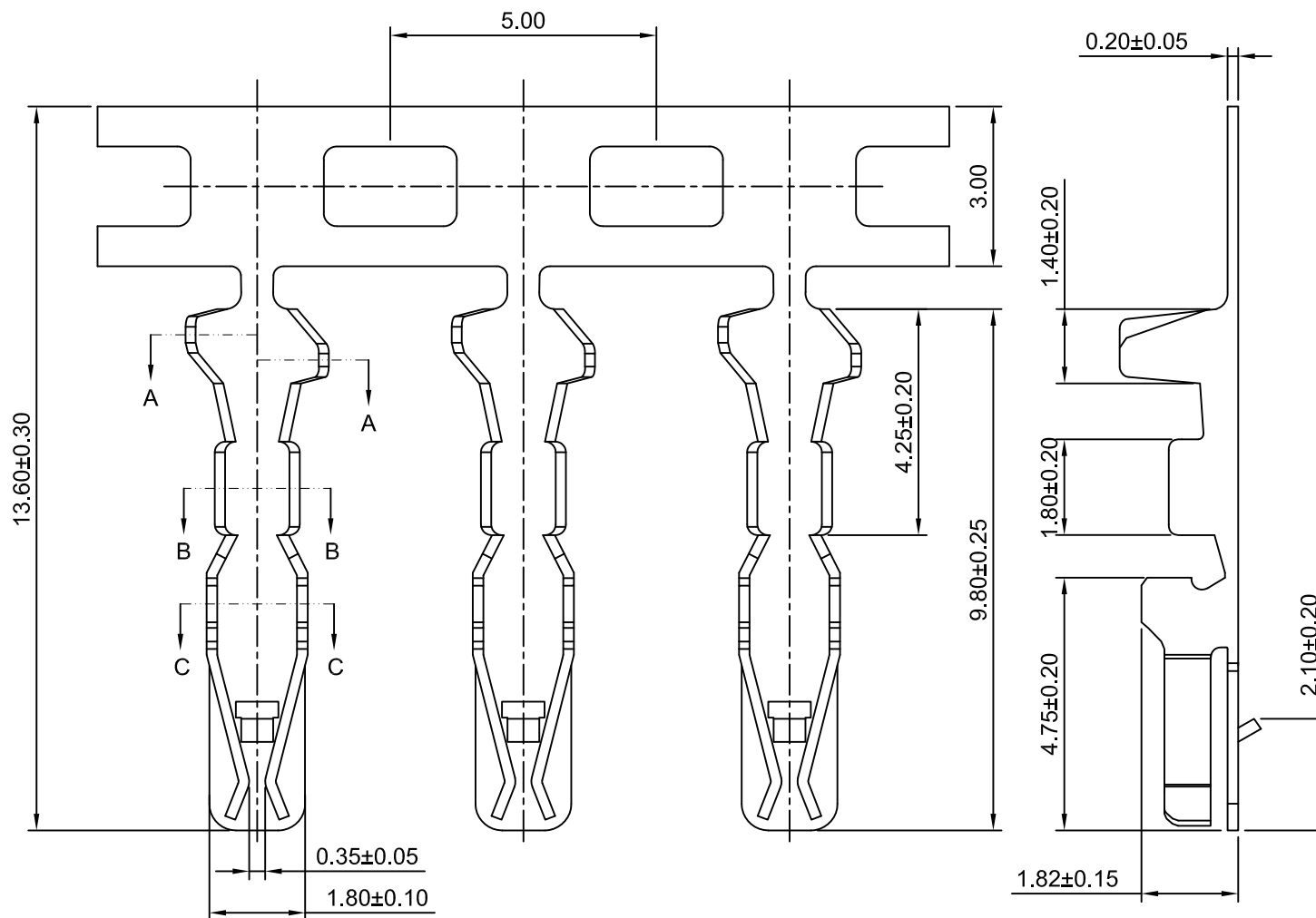
深圳市华德共创科技有限公司

Shenzhen Huade co-create Technology Co.,LTD

TEL : 0755-27129737 FAX : 0755-29940187

-TOLERANCES- UNLESS OTHERWISE SPECIFIED 公差参数表						TITLE: 2.50mm Pitch 产品名称: Crimp Terminal			
X.X	±0.30	X.X°	±3°	APPD: 核准:	XIE	PART NO: 产品编号: HDGC2523M-T			
X.XX	±0.30	X.XX°	±2°	CHECK: 校对:	WANG	DATE	SCALE	UNIT	CODE NUMBER
X.XXX	±0.10	X.XXX°	±1°	DRAW: 绘图:	WANG	2017-07-10	5:1	mm	A008

修订 REV	标记 MARK	修改摘要 REVISION DESCRIPTION	签名 SIGNATURE	日期 DATE
AO		NEW RELEASE	WANG	2017-07-10



Ordering information & Specifications

Unit:mm

Part NO.	Wire Range	Insultion O.D.	Material	Finish	Qty/reel
HDGC2523-TP-A	AWG#22-#30	1.90mm(max)	Phosphor Bronze	Tin over Nickel	13,000 PCS
HDGC2523-GP-A	AWG#22-#30	1.90mm(max)	Phosphor Bronze	Gold over Nickel	13,000 PCS



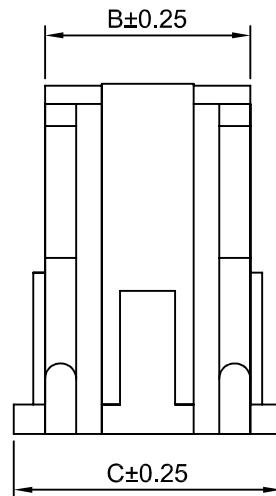
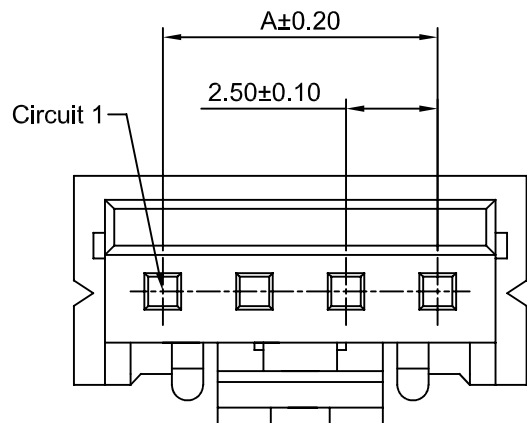
深圳市华德共创科技有限公司

Shenzhen Huade co-create Technology Co.,LTD

TEL : 0755-27129737 FAX : 0755-29940187

-TOLERANCES- UNLESS OTHERWISE SPECIFIED 公差参数表						TITLE: 2.50mm Pitch 产品名称: Crimp Terminal			
X.X	± 0.30	X.X°	$\pm 3^\circ$	APPD: 核准:	XIE	PART NO: 产品编号: HDGC2523-T-A			
X.XX	± 0.30	X.XX°	$\pm 2^\circ$	CHECK: 校对:	WANG	DATE	SCALE	UNIT	CODE NUMBER
X.XXX	± 0.10	X.XXX°	$\pm 1^\circ$	DRAW: 绘图:	WANG	2017-07-10	8:1	mm	A008

修订 REV	标记 MARK	修改摘要 REVISION DESCRIPTION	签名 SIGNATURE	日期 DATE
AO		NEW RELEASE	WANG	2017-07-10



2P~3P

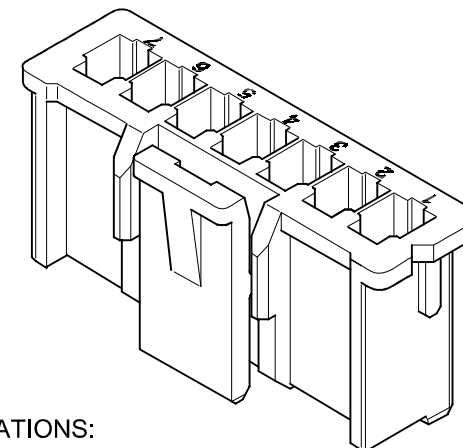
Ordering Information:

HDGC2523H-XP - **
1 2

1.Part No.

2.Color:

- (blank) - White
- BK - Black
- RD - Red
- BL - Blue
- YL - Yellow
- GN - Green
- OR - Orange
- BR - Brown
- GY - Gray
- PK - Pink
- LY - Lemon yellow
- P - Purple
- LE - Light blue
- FY - Vivid yellow

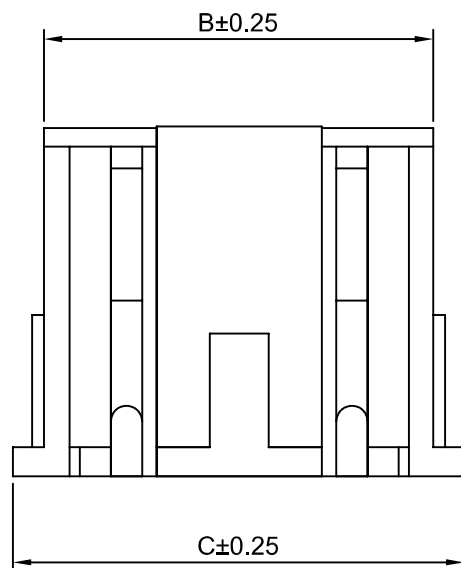


SPECIFICATIONS:

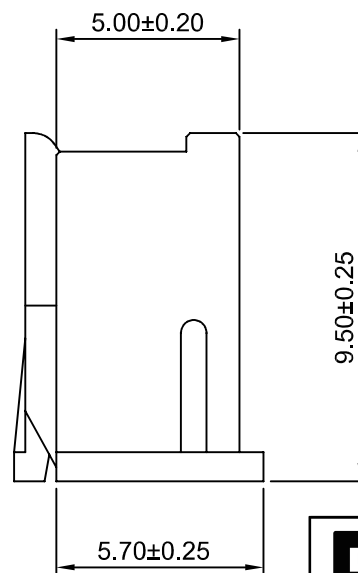
Current Rating: 3A AC,DC
Voltage Rating: 250V AC,DC
Temperature Range: -25°C ~ +85°C
Contact Resistance: 10mΩ Max
Insulation Resistance: 100MΩ Min
Withstanding Voltage: 1000V AC/minute
Material: Nylon 66,UL94V-0(White)

Ordering Information & Dimensions

Circuits	Dimensions(mm)			Circuits	Dimensions(mm)		
	A	B	C		A	B	C
2P	2.50	5.64	7.30	9P	20.00	23.14	24.80
3P	5.00	8.14	9.80	10P	22.50	25.64	27.30
4P	7.50	10.64	12.30	11P	25.00	28.14	29.80
5P	10.00	13.14	14.80	12P	27.50	30.64	32.30
6P	12.50	15.64	17.30	13P	30.00	33.14	34.80
7P	15.00	18.14	19.80	14P	32.50	35.64	37.30
8P	17.50	20.64	22.30	15P	35.00	38.14	39.80



4P~15P



深圳市华德共创科技有限公司

Shenzhen Huade co-create Technology Co.,LTD

TEL : 0755-27129737 FAX : 0755-29940187

-TOLERANCES- UNLESS OTHERWISE SPECIFIED 公差参数表						TITLE: 产品名称 : 2.50mm Pitch Housing			
X.X	±0.30	X.X°	±3°	APPD: 核准:	XIE	PART NO: 产品编号 : HDGC2523H-XP			
X.XX	±0.30	X.XX°	±2°	CHECK: 校对:	WANG	DATE	SCALE	UNIT	CODE NUMBER
X.XXX	±0.10	X.XXX°	±1°	DRAW: 绘图:	WANG	2017-07-10	5:1	mm	A008

修订 REV	标记 MARK	修改摘要 REVISION DESCRIPTION	签名 SIGNATURE	日期 DATE
AO		NEW RELEASE	WANG	2017-07-10

Ordering Information:

HDGC2523HA-XP - ** - **
1 2 3

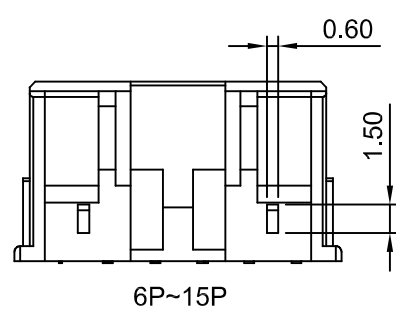
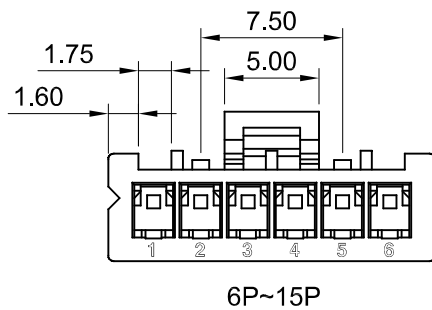
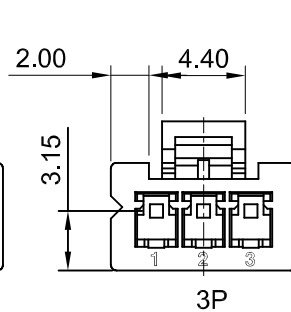
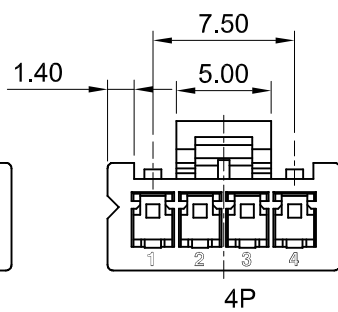
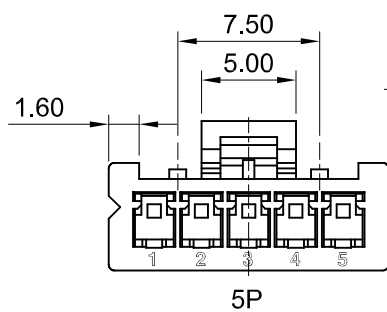
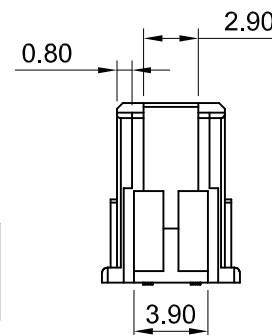
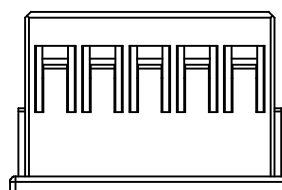
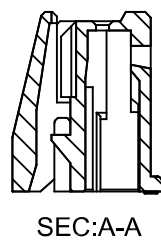
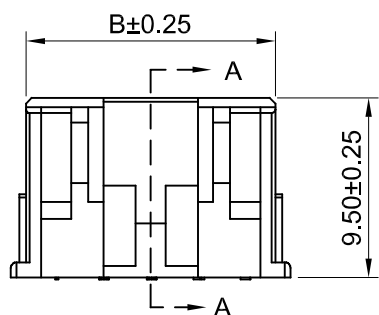
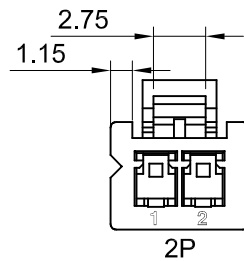
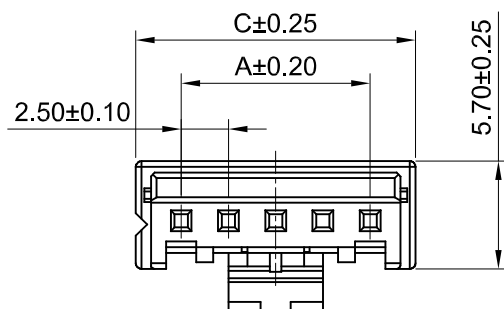
- Part No.
- Material:
(blank):Nylon 66,UL94V-0
GWT:Nylon 66,UL94V-0 ,GWT 750°C
- Color:
(blank) :Natural
BK:Black
RD :Red
BL :Blue
YL :Yellow
GN :Green

SPECIFICATIONS:

Current Rating: 3A AC,DC
Voltage Rating: 250V AC,DC
Temperature Range:-25°C ~ +85°C
Contact Resistance: 10mΩ Max
Insulation Resistance: 100MΩ Min
Withstanding Voltage: 1000V AC/minute
Material: Nylon 66,UL94V-0(Natural)

Ordering Information & Dimensions

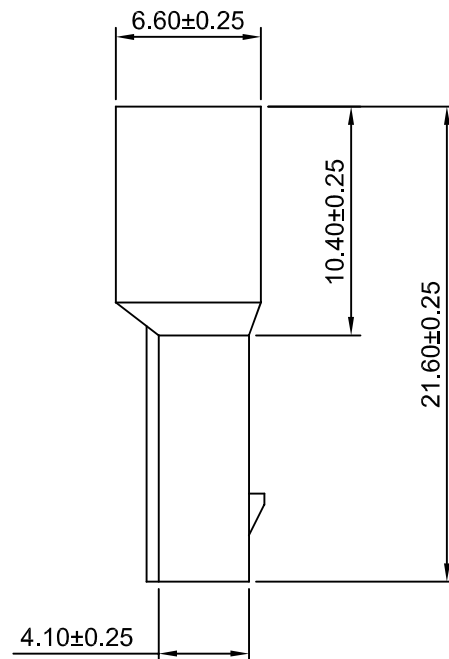
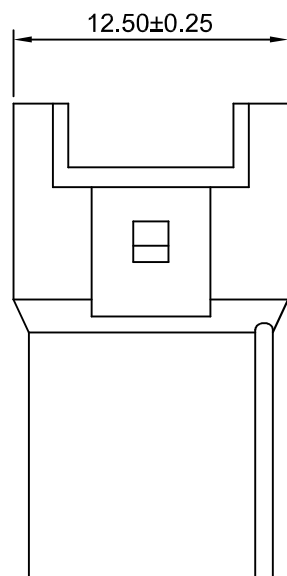
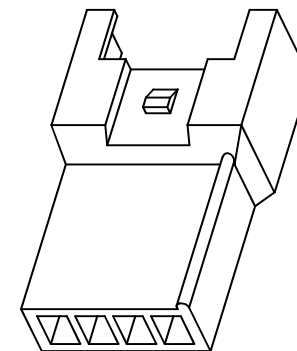
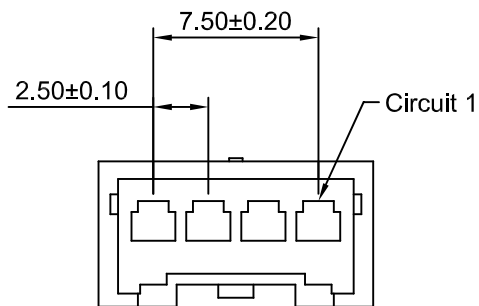
Circuits	Dimensions(mm)		
	A	B	C
2P	2.50	5.70	7.30
3P	5.00	8.20	9.80
4P	7.50	10.70	12.30
5P	10.00	13.20	14.80
6P	12.50	15.70	17.30
7P	15.00	18.20	19.80
8P	17.50	20.70	22.30
9P	20.00	23.20	24.80
10P	22.50	25.70	27.30
11P	25.00	28.20	29.80
12P	27.50	30.70	32.30
13P	30.00	33.20	34.80
14P	32.50	35.70	37.30
15P	35.00	38.20	39.80



HDGC 深圳市华德共创科技有限公司
Shenzhen Huade co-create Technology Co.,LTD
TEL : 0755-27129737 FAX : 0755-29940187

-TOLERANCES- UNLESS OTHERWISE SPECIFIED 公差参数表				TITLE: 产品名称: 2.50mm Pitch Housing	
X.X	±0.30	X.X°	±3°	APPD: 核准: XIE	PART NO: 产品编号: HDGC2523HA-XP
X.XX	±0.30	X.XX°	±2°	CHECK: 校对: WANG	DATE SCALE UNIT CODE NUMBER
X.XXX	±0.10	X.XXX°	±1°	DRAW: 绘图: WANG	2017-07-10 2.5:1 mm A008

修订 REV	标记 MARK	修改摘要 REVISION DESCRIPTION	签名 SIGNATURE	日期 DATE
AO		NEW RELEASE	WANG	2017-07-10



SPECIFICATIONS:

Current Rating: 3A AC,DC
Voltage Rating: 250V AC,DC
Temperature Range: -25°C ~ +85°C
Contact Resistance: 10mΩ Max
Insulation Resistance: 100MΩ Min
Withstanding Voltage: 1000V AC/minute
Material: Nylon 66,UL94V-0(White)

Ordering Information & Dimensions

Circuits	Dimensions(mm)		Circuits	Dimensions(mm)	
	A	B		A	B
2P	2.50	7.50	9P	20.00	25.00
3P	5.00	10.00	10P	22.50	27.50
4P	7.50	12.50	11P	25.00	30.00
5P	10.00	15.00	12P	27.50	32.50
6P	12.50	17.50	13P	30.00	35.00
7P	15.00	20.00	14P	32.50	37.50
8P	17.50	22.50	15P	35.00	40.00



深圳市华德共创科技有限公司

Shenzhen Huade co-create Technology Co.,LTD
TEL : 0755-27129737 FAX : 0755-29940187

-TOLERANCES- UNLESS OTHERWISE SPECIFIED 公差参数表						TITLE: 产品名称 : 2.50mm Pitch Housing			
X.X	±0.30	X.X°	±3°	APPD: 核准:	XIE	PART NO: 产品编号 : HDGC2523HMA-XP			
X.XX	±0.30	X.XX°	±2°	CHECK: 校对:	WANG	DATE	SCALE	UNIT	CODE NUMBER
X.XXX	±0.10	X.XXX°	±1°	DRAW: 绘图:	WANG	2017-07-10	3:1	mm	A008

修订 REV	标记 MARK	修改摘要 REVISION DESCRIPTION	签名 SIGNATURE	日期 DATE
AO		NEW RELEASE	WANG	2017-07-10

Ordering Information:

HDGC2523SA-XP - **
1 2

1.Part No.

2.Material:

(blank):Nylon 66,UL94V-0

GWT:Nylon 66,UL94V-0 ,GWT 750°C

SPECIFICATIONS:

Current Rating: 3A AC,DC

Voltage Rating: 250V AC,DC

Temperature Range: -25°C ~ +85°C

Contact Resistance: 10mΩ Max

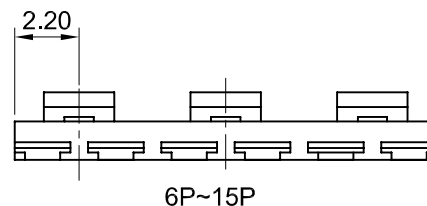
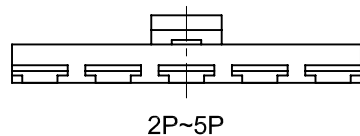
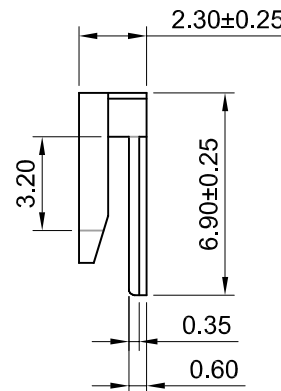
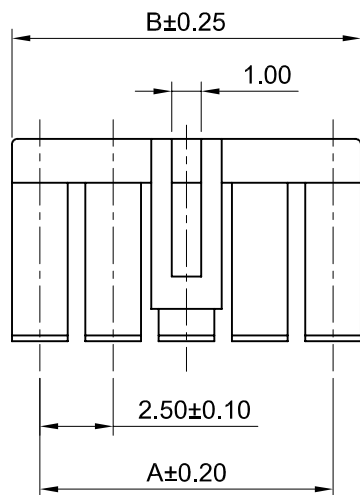
Insulation Resistance: 100MΩ Min

Withstanding Voltage: 1000V AC/minute

Material: Nylon 66,UL94V-0(Natural)

Ordering Information & Dimensions

Circuits	Dimensions(mm)		Circuits	Dimensions(mm)	
	A	B		A	B
2P	2.50	4.40	9P	20.00	21.90
3P	5.00	6.90	10P	22.50	24.40
4P	7.50	9.40	11P	25.00	26.90
5P	10.00	11.90	12P	27.50	29.40
6P	12.50	14.40	13P	30.00	31.90
7P	15.00	16.90	14P	32.50	34.40
8P	17.50	19.40	15P	35.00	36.90





深圳市华德共创科技有限公司
Shenzhen Huade co-create Technology Co.,LTD
TEL : 0755-27129737 FAX : 0755-29940187

-TOLERANCES- UNLESS OTHERWISE SPECIFIED 公差参数表			 		TITLE: 产品名称 : 2.50mm Pitch Seal				
X.X	±0.30	X.X°	±3°	APPD: 核准 :	XIE				
X.XX	±0.30	X.XX°	±2°	CHECK: 校对 :	WANG	DATE	SCALE	UNIT	CODE NUMBER
X.XXX	±0.10	X.XXX°	±1°	DRAW: 绘图 :	WANG	2017-07-10	4:1	mm	A008

PART NO: 产品编号 :		HDGC2523SA-XP			
--------------------	--	---------------	--	--	--

修订 REV	标记 MARK	修改摘要 REVISION DESCRIPTION	签名 SIGNATURE	日期 DATE
AO		NEW RELEASE	WANG	2017-07-10

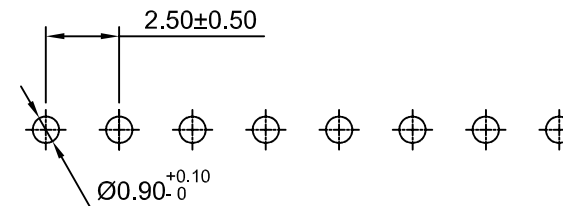
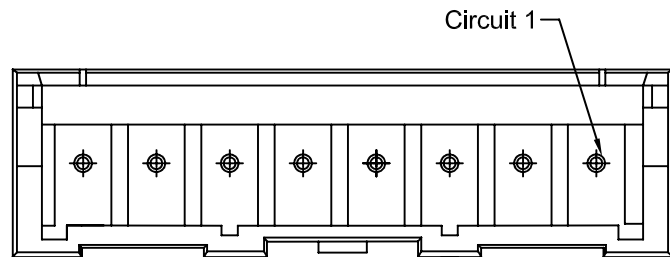
Ordering Information:

HDGC2523WV-XP - **
1 2

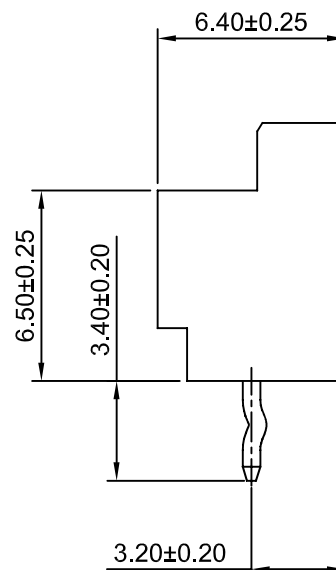
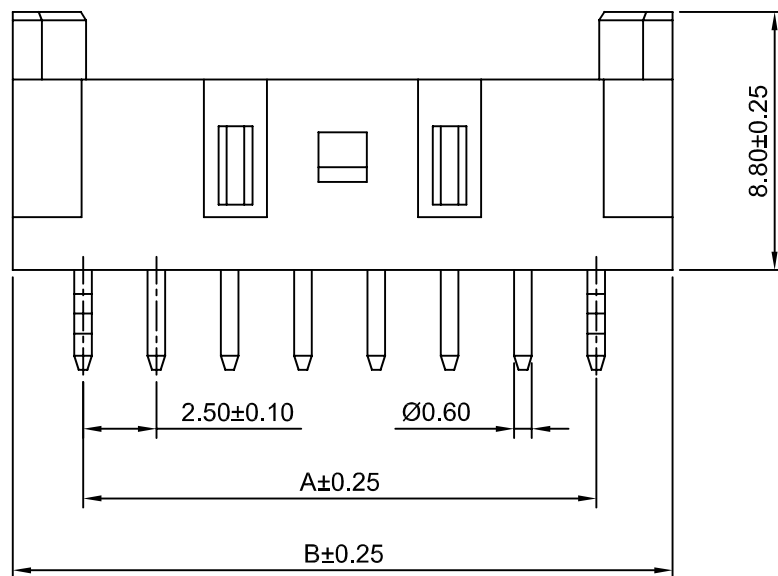
1.Part No.

2.Color:

- (blank) - Ivory
- BK - Black
- RD - Red
- BL - Blue
- YL - Yellow
- GN - Green
- OR - Orange
- BR - Brown
- GY - Gray
- PK - Pink



P.B.C LAYOUT



SPECIFICATIONS:

- Current Rating: 3A AC,DC
- Voltage Rating: 250V AC,DC
- Temperature Range: -25°C ~ +85°C
- Contact Resistance: 10mΩ Max
- Insulation Resistance: 1000MΩ Min
- Withstanding Voltage: 1000V AC/minute
- Pin Material: Brass/Tin over Nickel
- Material: Nylon 66,UL94V-0(Ivory)

Ordering Information & Dimensions

Circuits	Dimensions(mm)		Circuits	Dimensions(mm)	
	A	B		A	B
2P	2.50	7.50	9P	20.00	25.00
3P	5.00	10.00	10P	22.50	27.50
4P	7.50	12.50	11P	25.00	30.00
5P	10.00	15.00	12P	27.50	32.50
6P	12.50	17.50	13P	30.00	35.00
7P	15.00	20.00	14P	32.50	37.50
8P	17.50	22.50	15P	35.00	40.00



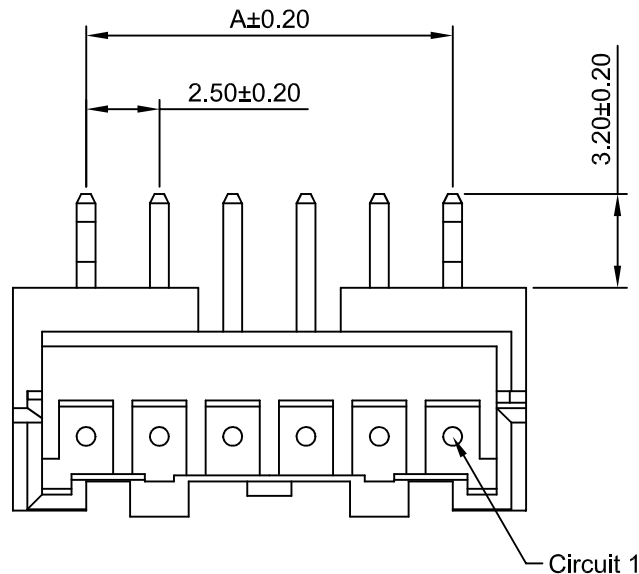
深圳市华德共创科技有限公司

Shenzhen Huade co-create Technology Co.,LTD

TEL : 0755-27129737 FAX : 0755-29940187

-TOLERANCES- UNLESS OTHERWISE SPECIFIED 公差参数表				 		TITLE: 产品名称: 2.50mm Pitch 180° Wafer			
X.X	±0.30	X.X°	±3°	APPD: 核准:	XIE	PART NO: 产品编号: HDGC2523WV-XP			
X.XX	±0.30	X.XX°	±2°	CHECK: 校对:	WANG	DATE	SCALE	UNIT	CODE NUMBER
X.XXX	±0.10	X.XXX°	±1°	DRAW: 绘图:	WANG	2017-07-10	4:1	mm	A008

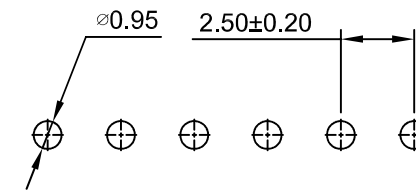
修订 REV	标记 MARK	修改摘要 REVISION DESCRIPTION	签名 SIGNATURE	日期 DATE
AO		NEW RELEASE	WANG	2017-07-10



Ordering Information:

HDGC2523WR-XP - **
1 2

- 1.Part No.
2.Color:
(blank) - Ivory
BK - Black
RD - Red
BL - Blue
YL - Yellow
GN - Green
OR - Orange
BR - Brown
GY - Gray
PK - Pink
WH - White
LY - Lemon yellow
P - Purple
LE - Light blue
FY - Vivid yellow



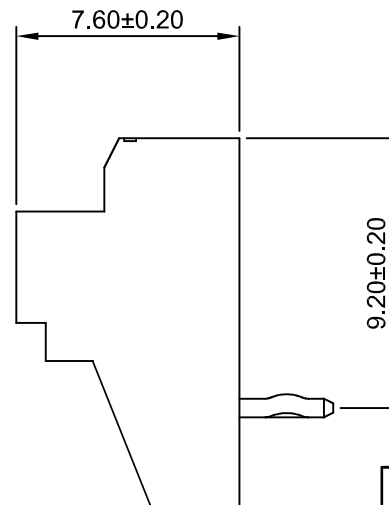
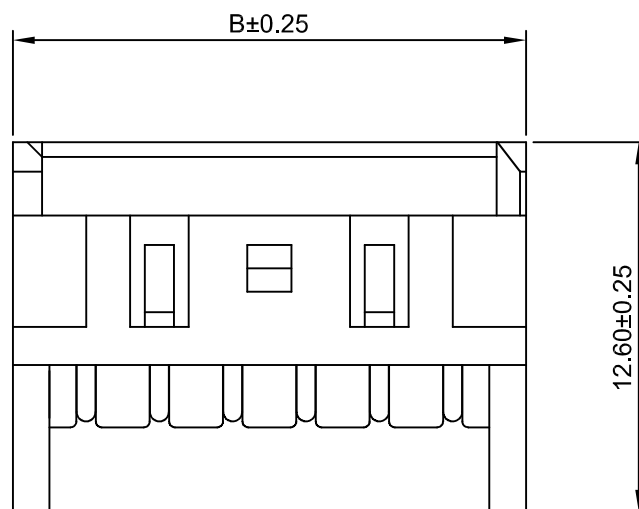
P.C.B LAYOUT

SPECIFICATIONS:

Current Rating: 3A AC,DC
Voltage Rating: 250V AC,DC
Temperature Range: -25°C ~ +85°C
Contact Resistance: 10mΩ Max.
Insulation Resistance: 100MΩ Min.
Withstanding Voltage: 1000V AC/minute
Pin Material: Brass/Tin Over Nickel
Material: Nylon 66 , UL94V-0(Ivory)

Ordering Information & Dimensions

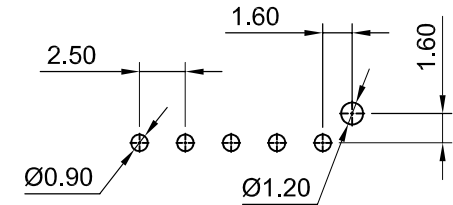
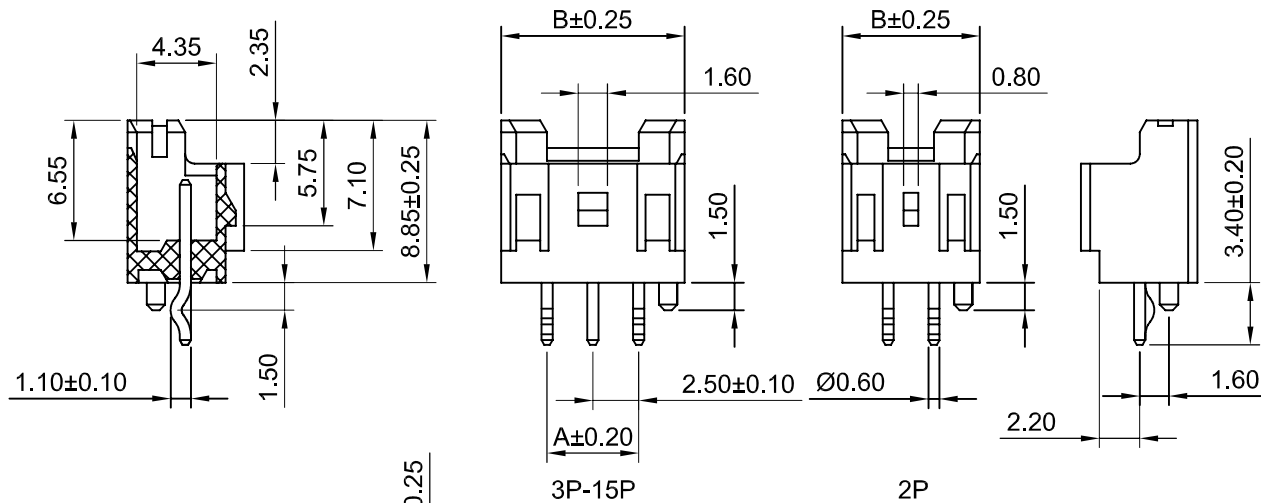
Circuits	Dimensions(mm)		Circuits	Dimensions(mm)	
	A	B		A	B
2P	2.50	7.50	9P	20.00	25.00
3P	5.00	10.00	10P	22.50	27.50
4P	7.50	12.50	11P	25.00	30.00
5P	10.00	15.00	12P	27.50	32.50
6P	12.50	17.50	13P	30.00	35.00
7P	15.00	20.00	14P	32.50	37.50
8P	17.50	22.50	15P	35.00	40.00



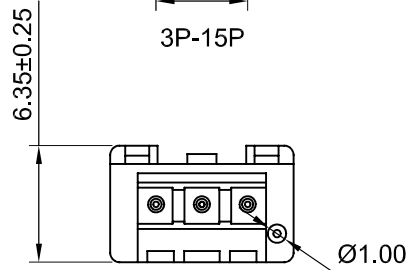
HDGC 深圳市华德共创科技有限公司
Shenzhen Huade co-create Technology Co.,LTD
TEL : 0755-27129737 FAX : 0755-29940187

-TOLERANCES- UNLESS OTHERWISE SPECIFIED 公差参数表				TITLE: 产品名称: 2.50mm Pitch 90° Wafer	
X.X	±0.30	X.X°	±3°	APPD: 核准:	XIE
X.XX	±0.30	X.XX°	±2°	CHECK: 校对:	WANG
X.XXX	±0.10	X.XXX°	±1°	DRAW: 绘图:	WANG
PART NO: 产品编号: HDGC2523WR-XP		DATE	SCALE	UNIT	CODE NUMBER
		2017-07-10	4:1	mm	A008

修订 REV	标记 MARK	修改摘要 REVISION DESCRIPTION	签名 SIGNATURE	日期 DATE
AO		NEW RELEASE	WANG	2017-07-10



P.C.B LAYOUT



Ordering Information:
 HDGC2523WV-F-XP - **
 1 2

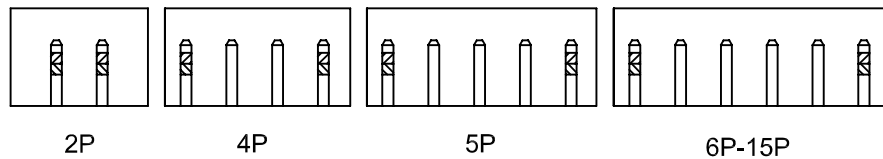
- 1.Part No.
 2.Color:
 (blank) - Ivory
 BK - Black
 RD - Red
 BL - Blue
 YL - Yellow
 GN - Green
 OR - Orange
 BR - Brown
 GY - Gray
 PK - Pink
 WH - White
 LY - Lemon yellow
 P - Purple
 LE - Light blue
 FY - Vivid yellow

SPECIFICATIONS:

Current Rating: 3A AC,DC
 Voltage Rating: 250V AC,DC
 Temperature Range: -25°C ~ +85°C
 Contact Resistance: 10mΩ Max
 Insulation Resistance: 1000MΩ Min
 Withstanding Voltage: 1000V AC/minute
 Pin Material: Brass/Tin over Nickel
 Material: Nylon 66, UL94V-0(Ivory)

Ordering Information & Dimensions

Circuits	Dimensions(mm)		Circuits	Dimensions(mm)	
	A	B		A	B
2P	2.50	7.50	9P	20.00	25.00
3P	5.00	10.00	10P	22.50	27.50
4P	7.50	12.50	11P	25.00	30.00
5P	10.00	15.00	12P	27.50	32.50
6P	12.50	17.50	13P	30.00	35.00
7P	15.00	20.00	14P	32.50	37.50
8P	17.50	22.50	15P	35.00	40.00

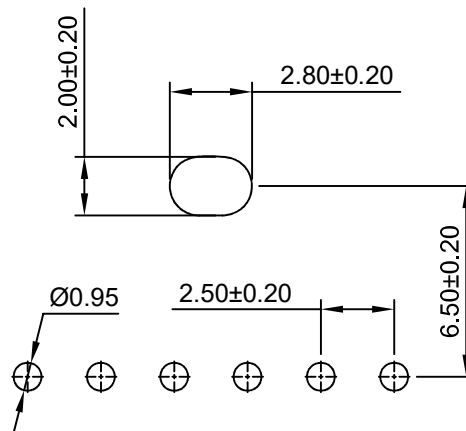
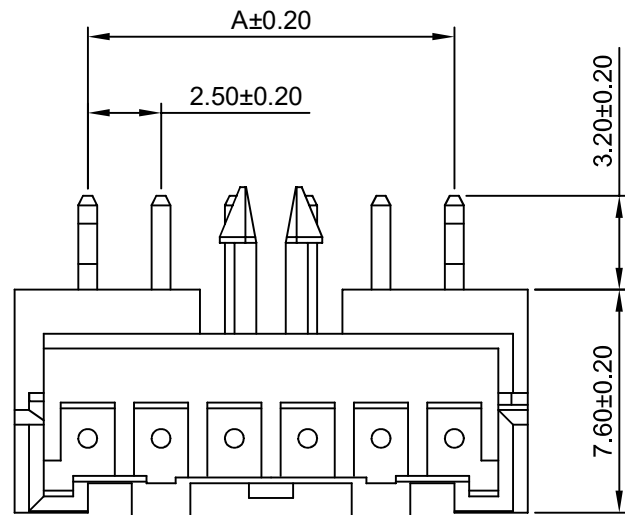


深圳市华德共创科技有限公司

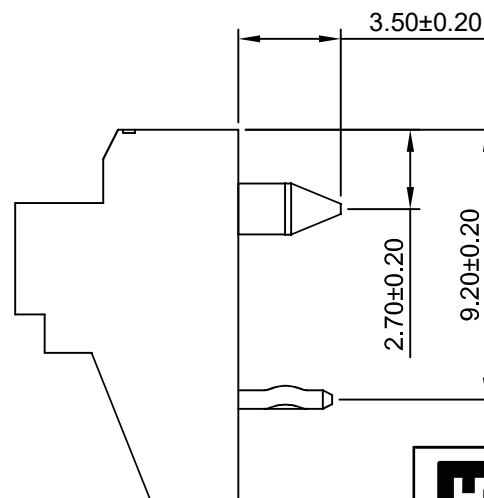
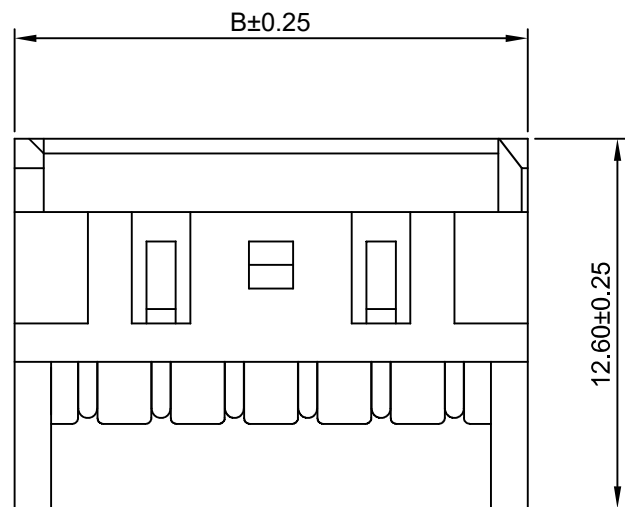
Shenzhen Huade co-create Technology Co.,LTD
 TEL : 0755-27129737 FAX : 0755-29940187

-TOLERANCES- UNLESS OTHERWISE SPECIFIED 公差参数表						TITLE: 产品名称: 2.50mm Pitch 180° Wafer			
X.X	±0.30	X.X°	±3°	APPD: 核准:	XIE	PART NO: 产品编号: HDGC2523WV-F-XP			
X.XX	±0.30	X.XX°	±2°	CHECK: 校对:	WANG	DATE	SCALE	UNIT	CODE NUMBER
X.XXX	±0.10	X.XXX°	±1°	DRAW: 绘图:	WANG	2017-07-10	2.5:1	mm	A008

修订 REV	标记 MARK	修改摘要 REVISION DESCRIPTION	签名 SIGNATURE	日期 DATE
AO		NEW RELEASE	WANG	2017-07-10



P.C.B LAYOUT



Ordering Information:
HDGC2523WR-F-XP - **
1 2

1. Part No.
2. Color:
(blank) - Ivory
BK - Black
RD - Red
BL - Blue
YL - Yellow
GN - Green
OR - Orange
BR - Brown
GY - Gray
PK - Pink
WH - White
LY - Lemon yellow
P - Purple
LE - Light blue
FY - Vivid yellow

SPECIFICATIONS:

Current Rating: 3A AC,DC
Voltage Rating: 250V AC,DC
Temperature Range: -25°C ~ +85°C
Contact Resistance: 10mΩ Max.
Insulation Resistance: 100MΩ Min.
Withstanding Voltage: 1000V AC/minute
Pin Material: Brass/Tin Over Nickel
Material: Nylon66 UL94V-0(Ivory)

Ordering Information & Dimensions

Circuits	Dimensions(mm)		Circuits	Dimensions(mm)	
	A	B		A	B
2P	2.50	7.50	9P	20.00	25.00
3P	5.00	10.00	10P	22.50	27.50
4P	7.50	12.50	11P	25.00	30.00
5P	10.00	15.00	12P	27.50	32.50
6P	12.50	17.50	13P	30.00	35.00
7P	15.00	20.00	14P	32.50	37.50
8P	17.50	22.50	15P	35.00	40.00

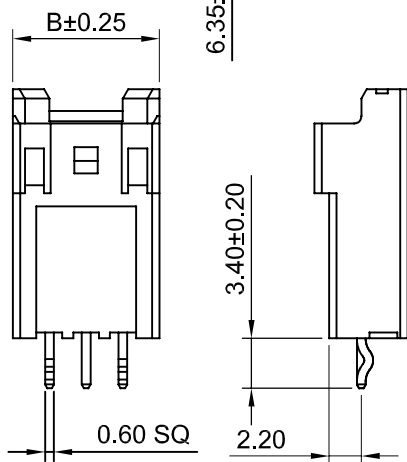
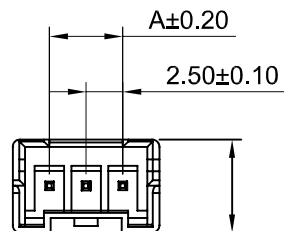


深圳市华德共创科技有限公司

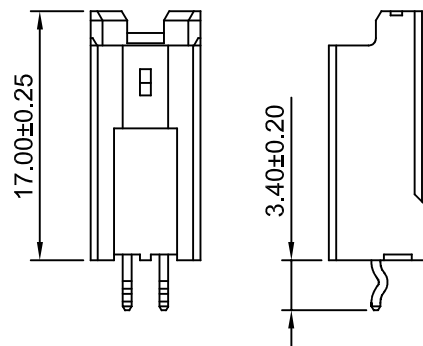
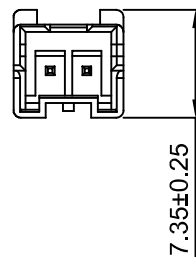
Shenzhen Huade co-create Technology Co.,LTD
TEL : 0755-27129737 FAX : 0755-29940187

-TOLERANCES- UNLESS OTHERWISE SPECIFIED 公差参数表				TITLE: 产品名称: 2.50mm Pitch 90° Wafer	
X.X	±0.30	X.X°	±3°	APPD: 核准: XIE	PART NO: 产品编号: HDGC2523WR-F-XP
X.XX	±0.30	X.XX°	±2°	CHECK: 校对: WANG	DATE SCALE UNIT CODE NUMBER
X.XXX	±0.10	X.XXX°	±1°	DRAW: 绘图: WANG	2017-07-10 4:1 mm A008

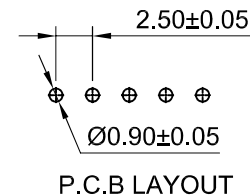
修订 REV	标记 MARK	修改摘要 REVISION DESCRIPTION	签名 SIGNATURE	日期 DATE
AO		NEW RELEASE	WANG	2017-07-10



3P~15P



2P



SPECIFICATIONS:

Current Rating: 3A AC,DC
Voltage Rating: 250V AC,DC
Temperature Range: -25°C ~ +85°C
Contact Resistance: 10mΩ Max
Insulation Resistance: 1000MΩ Min
Withstanding Voltage: 1000V AC/minute
Pin Material: Brass/Tin over Nickel
Material: Nylon 66, UL94V-0(Ivory)

Ordering Information & Dimensions

Circuits	Dimensions(mm)		Circuits	Dimensions(mm)	
	A	B		A	B
2P	2.50	7.50	9P	20.00	25.00
3P	5.00	10.00	10P	22.50	27.50
4P	7.50	12.50	11P	25.00	30.00
5P	10.00	15.00	12P	27.50	32.50
6P	12.50	17.50	13P	30.00	35.00
7P	15.00	20.00	14P	32.50	37.50
8P	17.50	22.50	15P	35.00	40.00

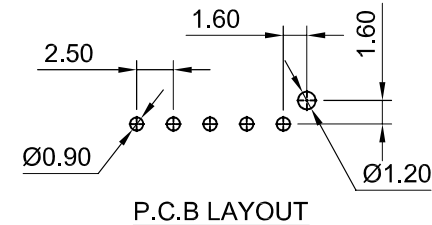


深圳市华德共创科技有限公司

Shenzhen Huade co-create Technology Co.,LTD
TEL : 0755-27129737 FAX : 0755-29940187

-TOLERANCES- UNLESS OTHERWISE SPECIFIED 公差参数表						TITLE: 产品名称: 2.50mm Pitch 180° Wafer			
X.X	±0.30	X.X°	±3°	APPD: 核准:	XIE	PART NO: 产品编号: HDGC2523WV-XP-H			
X.XX	±0.30	X.XX°	±2°	CHECK: 校对:	WANG	DATE	SCALE	UNIT	CODE NUMBER
X.XXX	±0.10	X.XXX°	±1°	DRAW: 绘图:	WANG	2017-07-10	2:1	mm	A008

修订 REV	标记 MARK	修改摘要 REVISION DESCRIPTION	签名 SIGNATURE	日期 DATE
AO		NEW RELEASE	WANG	2017-07-10

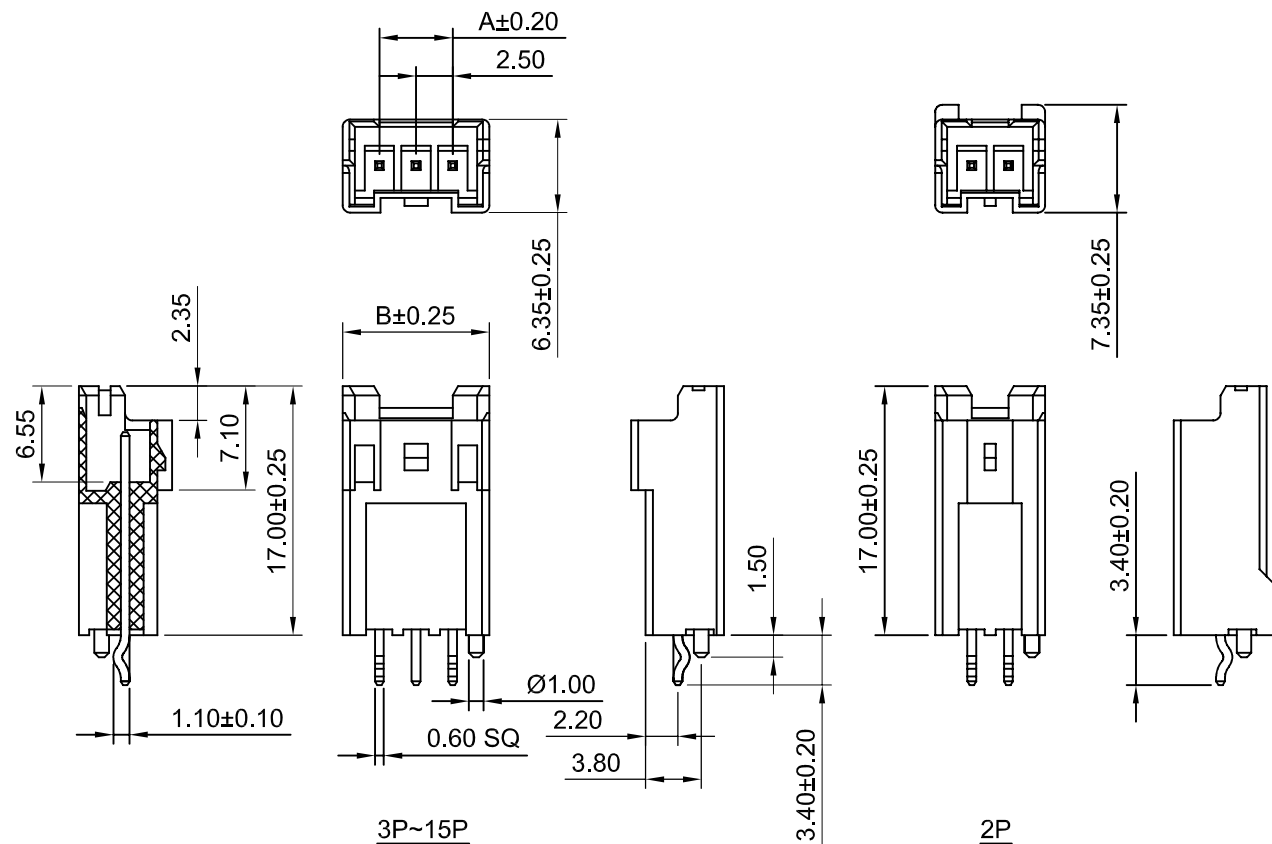


SPECIFICATIONS:

Current Rating: 3A AC,DC
Voltage Rating: 250V AC,DC
Temperature Range: -25°C ~ +85°C
Contact Resistance: 10mΩ Max
Insulation Resistance: 1000MΩ Min
Withstanding Voltage: 1000V AC/minute
Pin Material: Brass/Tin over Nickel
Material: Nylon 66, UL94V-0(Ivory)

Ordering Information & Dimensions

Circuits	Dimensions(mm)		Circuits	Dimensions(mm)	
	A	B		A	B
3P	5.00	10.00	10P	22.50	27.50
4P	7.50	12.50	11P	25.00	30.00
5P	10.00	15.00	12P	27.50	32.50
6P	12.50	17.50	13P	30.00	35.00
7P	15.00	20.00	14P	32.50	37.50
8P	17.50	22.50	15P	35.00	40.00
9P	20.00	25.00			

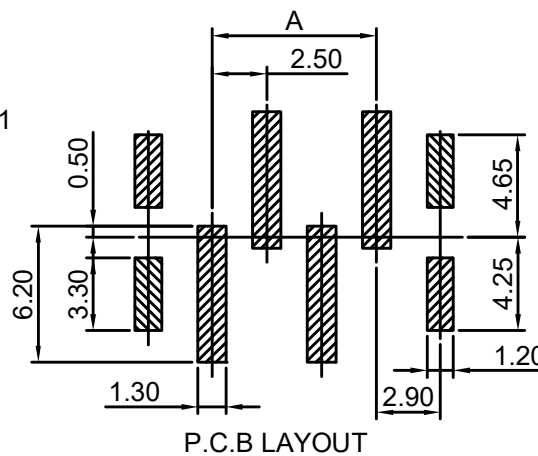
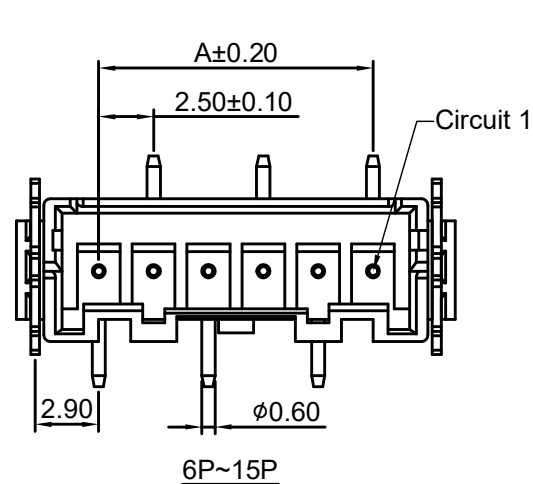


深圳市华德共创科技有限公司

Shenzhen Huade co-create Technology Co.,LTD
TEL : 0755-27129737 FAX : 0755-29940187

-TOLERANCES- UNLESS OTHERWISE SPECIFIED 公差参数表						TITLE: 产品名称: 2.50mm Pitch 180° Wafer			
X.X	±0.30	X.X°	±3°	APPD: 核准:	XIE	PART NO: 产品编号: HDGC2523WV-F-XP-H			
X.XX	±0.30	X.XX°	±2°	CHECK: 校对:	WANG	DATE	SCALE	UNIT	CODE NUMBER
X.XXX	±0.10	X.XXX°	±1°	DRAW: 绘图:	WANG	2017-07-10	2:1	mm	A008

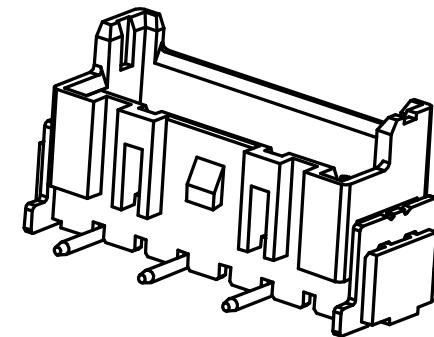
修订 REV	标记 MARK	修改摘要 REVISION DESCRIPTION	签名 SIGNATURE	日期 DATE
AO		NEW RELEASE	WANG	2017-07-10



Ordering Information:

HDGC2523WV-S-XP - *** - ** - **
1 2 3 4

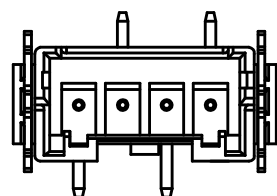
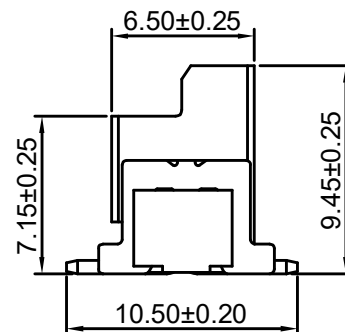
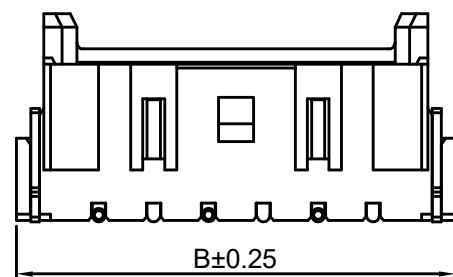
- Part No.
- Material:
(blank):Nylon 66,UL94V-0
GWT:Nylon 66,UL94V-0,GWT 750 °C
- Color:
(Blank):Ivory
RD:Red
BL:Blue
GN:Green
OR:Orange
BK:Black
LY:Lemon yellow
- Finish:
(blank):Tin over Nickel
G:Gold over Nickel



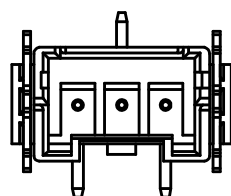
Ordering Information & Dimensions:

PART NO.	Dimensions	
	A	B
2P	2.50	10.00
3P	5.00	12.50
4P	7.50	15.00
5P	10.00	17.50
6P	12.50	20.00
7P	15.00	22.50
8P	17.50	25.00
9P	20.00	27.50
10P	22.50	30.00
11P	25.00	32.50
12P	27.50	35.00
13P	30.00	37.50
14P	32.50	40.00
15P	35.00	42.50

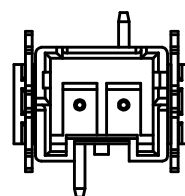
Unit: mm




4P~5P



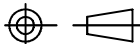
3P



2P



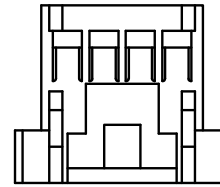
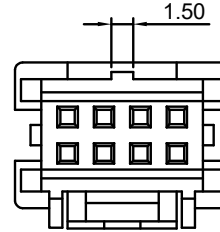
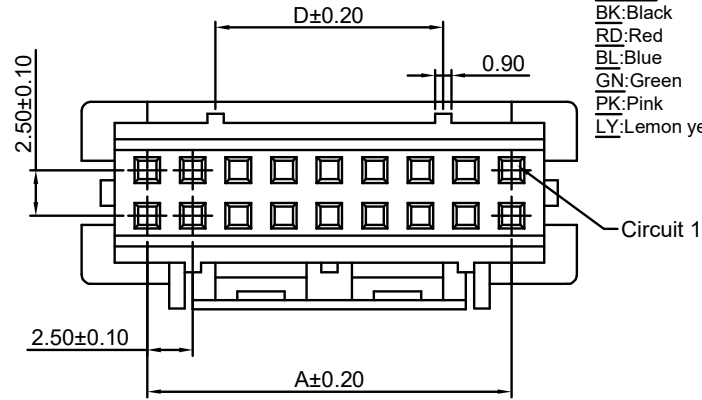
深圳市华德共创科技有限公司
Shenzhen Huade co-create Technology Co.,LTD
TEL : 0755-27129737 FAX : 0755-29940187

-TOLERANCES- UNLESS OTHERWISE SPECIFIED 公差参数表					TITLE: 产品名称: 2.50mm Pitch 180° Wafer			
X.X	±0.30	X.X°	±3°	APPD: 核准:	XIE			
X.XX	±0.30	X.XX°	±2°	CHECK: 校对:	WANG			
X.XXX	±0.10	X.XXX°	±1°	DRAW: 绘图:	WANG			
PART NO: 产品编号: HDGC2523WV-S-XP					DATE	SCALE	UNIT	CODE NUMBER
					2017-07-10	3:1	mm	A008

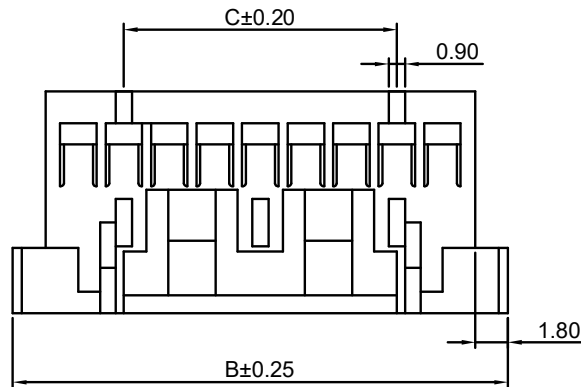
修订 REV	标记 MARK	修改摘要 REVISION DESCRIPTION	签名 SIGNATURE	日期 DATE
AO		NEW RELEASE	WANG	2017-07-10

Ordering Information:
 HDGC2523H-2xXP - *** - **
 1 2 3

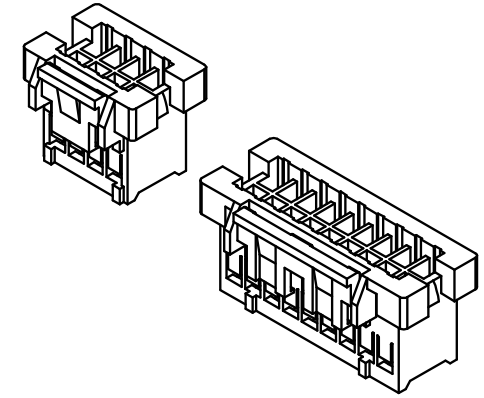
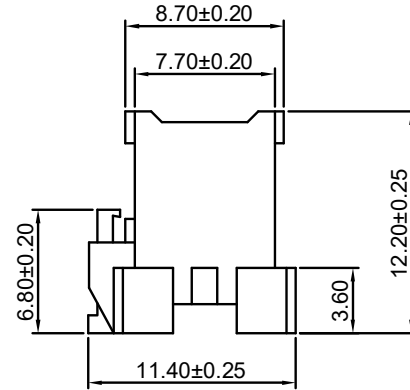
- Part No.
- Material:
 (blank): Nylon 66, UL94V-0
 GWT: Nylon 66, UL94V-0, GWT 750 °C
- Color:
 (Blank): White
 BK: Black
 RD: Red
 BL: Blue
 GN: Green
 PK: Pink
 LY: Lemon yellow



2x4P~2x8P



2x9P~2x20P



Ordering Information & Dimensions:

PART NO.	Dimensions			
	A	B	C	D
2x4P	7.50	14.70	9.10	----
2x5P	10.00	17.20	7.50	----
2x6P	12.50	19.70	10.00	----
2x7P	15.00	22.20	12.50	----
2x8P	17.50	24.70	15.00	----
2x9P	20.00	27.20	15.00	12.50
2x10P	22.50	29.70	17.50	15.00
2x11P	25.00	32.20	20.00	17.50
2x12P	27.50	34.70	22.50	20.00
2x13P	30.00	37.20	25.00	22.50
2x14P	32.50	39.70	27.50	25.00
2x15P	35.00	42.20	30.00	27.50
2x16P	37.50	44.70	32.50	30.00
2x17P	40.00	47.20	35.00	32.50
2x18P	42.50	49.70	37.50	35.00
2x19P	45.00	52.20	40.00	37.50
2x20P	47.50	54.70	42.50	40.00

Unit: mm



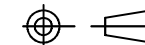
深圳市华德共创科技有限公司

Shenzhen Huade co-create Technology Co., LTD

TEL : 0755-27129737

FAX : 0755-29940187

-TOLERANCES-
UNLESS OTHERWISE SPECIFIED
公差参数表



TITLE:
产品名称: 2.50mm Pitch Housing

X.X ±0.30 X.X° ±3°

APPD:
核准: XIE

PART NO:
产品编号: HDGC2523H-2xXP

X.XX ±0.30 X.XX° ±2°

CHECK:
校对: WANG

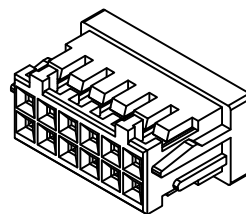
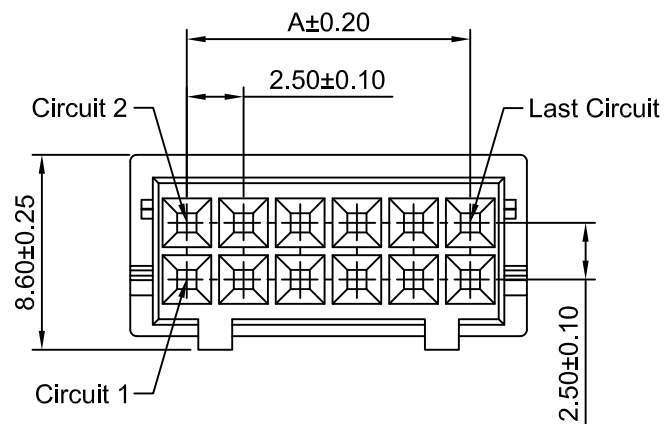
DATE SCALE UNIT CODE NUMBER

X.XXX ±0.10 X.XXX° ±1°

DRAW:
绘图: WANG

2017-07-10 2:1 mm A008

修订 REV	标记 MARK	修改摘要 REVISION DESCRIPTION	签名 SIGNATURE	日期 DATE
AO		NEW RELEASE	WANG	2017-07-10

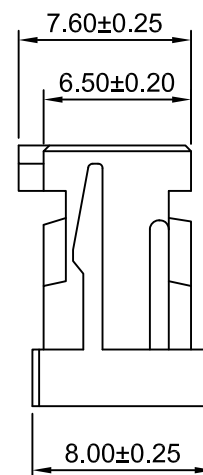
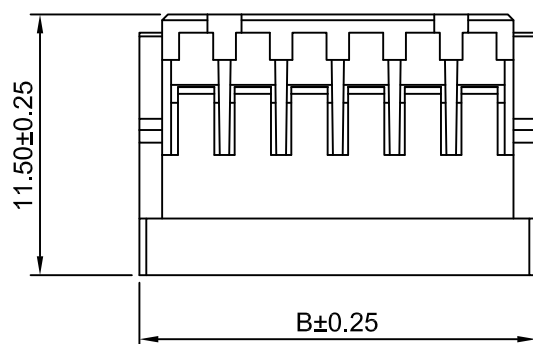


SPECIFICATIONS:

Current Rating: 3A AC,DC
Voltage Rating: 250V AC,DC
Temperature Range: -40°C ~ +105°C
Contact Resistance: 10mΩ Max.
Insulation Resistance: 1000MΩ Min.
Withstanding Voltage: 800V AC/minute
Material: Nylon 66,UL94V-0(White)

Ordering Information & Dimensions

Part NO.	Dimensions(mm)	
	A	B
HDGC2523HA-2x2P	2.50	7.50
HDGC2523HA-2x3P	5.00	10.00
HDGC2523HA-2x4P	7.50	12.50
HDGC2523HA-2x5P	10.00	15.00
HDGC2523HA-2x6P	12.50	17.50
HDGC2523HA-2x7P	15.00	20.00
HDGC2523HA-2x8P	17.50	22.50
HDGC2523HA-2x9P	20.00	25.00
HDGC2523HA-2x10P	22.50	27.50
HDGC2523HA-2x11P	25.00	30.00
HDGC2523HA-2x12P	27.50	32.50
HDGC2523HA-2x13P	30.00	35.00
HDGC2523HA-2x14P	32.50	37.50
HDGC2523HA-2x15P	35.00	40.00
HDGC2523HA-2x16P	37.50	42.50
HDGC2523HA-2x17P	40.00	45.00
HDGC2523HA-2x18P	42.50	47.50
HDGC2523HA-2x19P	45.00	50.00
HDGC2523HA-2x20P	47.50	52.50



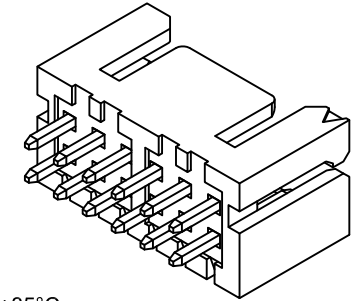
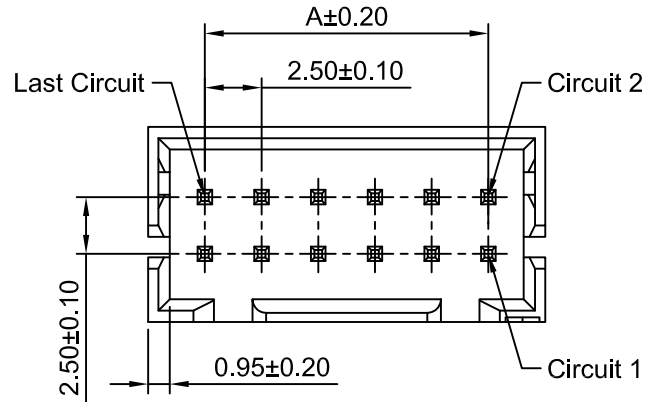
深圳市华德共创科技有限公司

Shenzhen Huade co-create Technology Co.,LTD

TEL : 0755-27129737 FAX : 0755-29940187

-TOLERANCES- UNLESS OTHERWISE SPECIFIED 公差参数表						TITLE: 产品名称 : 2.50mm Pitch Housing			
X.X	±0.30	X.X°	±3°	APPD: 核准:	XIE	PART NO: 产品编号 : HDGC2523HA-2xXP			
X.XX	±0.30	X.XX°	±2°	CHECK: 校对:	WANG	DATE	SCALE	UNIT	CODE NUMBER
X.XXX	±0.10	X.XXX°	±1°	DRAW: 绘图:	WANG	2017-07-10	3:1	mm	A008

修订 REV	标记 MARK	修改摘要 REVISION DESCRIPTION	签名 SIGNATURE	日期 DATE
AO		NEW RELEASE	WANG	2017-07-10

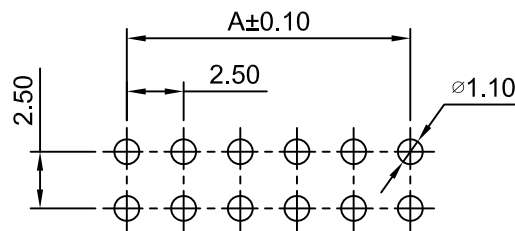
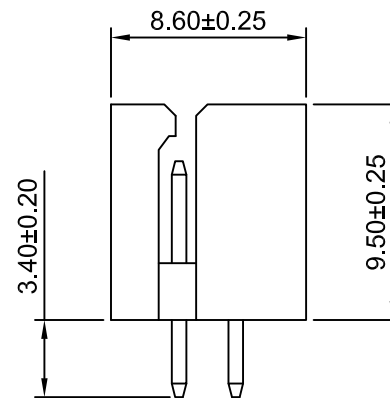
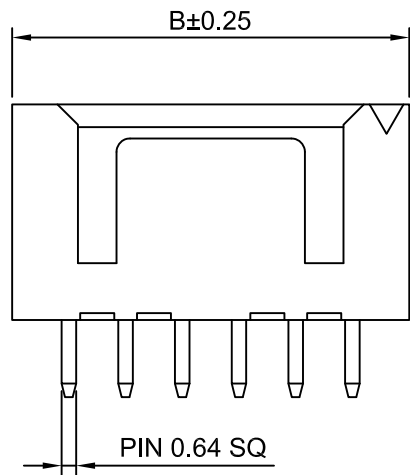


SPECIFICATIONS:

Current Rating: 3A AC,DC
Voltage Rating: 250V AC,DC
Temperature Range: -25°C ~ +85°C
Contact Resistance: 20mΩ Max.
Insulation Resistance: 1000MΩ Min.
Withstanding Voltage: 1000V AC/minute
Pin Material: Brass/Tin over Nickel
Material: Nylon 66,UL94V-0(Beige)

Ordering Information & Dimensions

Part NO.	Dimensions(mm)	
	A	B
HDGC2523WVA-2x2P	2.50	7.50
HDGC2523WVA-2x3P	5.00	10.00
HDGC2523WVA-2x4P	7.50	12.50
HDGC2523WVA-2x5P	10.00	15.00
HDGC2523WVA-2x6P	12.50	17.50
HDGC2523WVA-2x7P	15.00	20.00
HDGC2523WVA-2x8P	17.50	22.50
HDGC2523WVA-2x9P	20.00	25.00
HDGC2523WVA-2x10P	22.50	27.50
HDGC2523WVA-2x11P	25.00	30.00
HDGC2523WVA-2x12P	27.50	32.50
HDGC2523WVA-2x13P	30.00	35.00
HDGC2523WVA-2x14P	32.50	37.50
HDGC2523WVA-2x15P	35.00	40.00
HDGC2523WVA-2x16P	37.50	42.50
HDGC2523WVA-2x17P	40.00	45.00
HDGC2523WVA-2x18P	42.50	47.50
HDGC2523WVA-2x19P	45.00	50.00
HDGC2523WVA-2x20P	47.50	52.50



P.C.B LAYOUT
TOLERANCE:±0.05

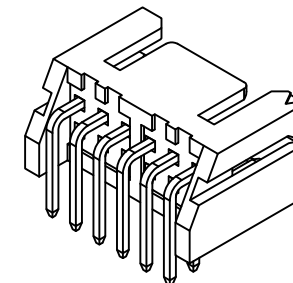
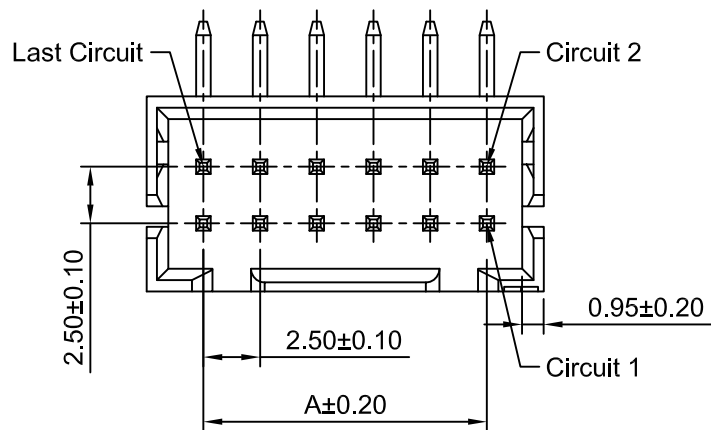


深圳市华德共创科技有限公司

Shenzhen Huade co-create Technology Co.,LTD
TEL : 0755-27129737 FAX : 0755-29940187

-TOLERANCES- UNLESS OTHERWISE SPECIFIED 公差参数表						TITLE: 产品名称: 2.50mm Pitch 180° Wafer			
X.X	±0.30	X.X°	±3°	APPD: 核准:	XIE	PART NO: 产品编号: HDGC2523WVA-2xXP			
X.XX	±0.30	X.XX°	±2°	CHECK: 校对:	WANG	DATE	SCALE	UNIT	CODE NUMBER
X.XXX	±0.10	X.XXX°	±1°	DRAW: 绘图:	WANG	2017-07-10	3:1	mm	A008

修订 REV	标记 MARK	修改摘要 REVISION DESCRIPTION	签名 SIGNATURE	日期 DATE
AO		NEW RELEASE	WANG	2017-07-10

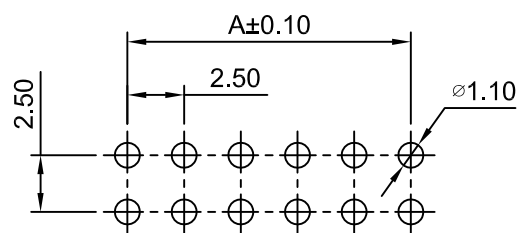
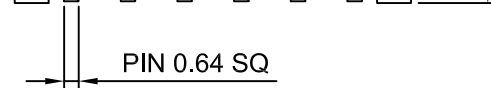
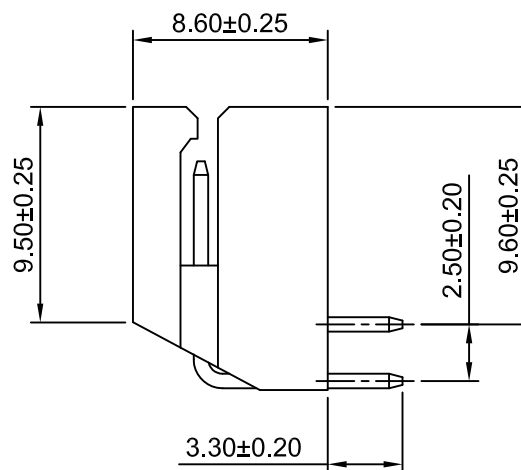
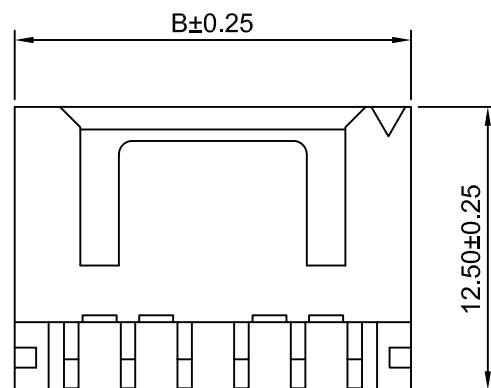


SPECIFICATIONS:

Current Rating: 3A AC,DC
Voltage Rating: 250V AC,DC
Temperature Range: -25°C ~ +85°C
Contact Resistance: 20mΩ Max.
Insulation Resistance: 1000MΩ Min.
Withstanding Voltage: 1000V AC/minute
Pin Material: Brass/Tin over Nickel
Material: Nylon 66,UL94V-0(Beige)

Ordering Information & Dimensions

Part NO.	Dimensions(mm)	
	A	B
HDGC2523WRA-2x2P	2.50	7.50
HDGC2523WRA-2x3P	5.00	10.00
HDGC2523WRA-2x4P	7.50	12.50
HDGC2523WRA-2x5P	10.00	15.00
HDGC2523WRA-2x6P	12.50	17.50
HDGC2523WRA-2x7P	15.00	20.00
HDGC2523WRA-2x8P	17.50	22.50
HDGC2523WRA-2x9P	20.00	25.00
HDGC2523WRA-2x10P	22.50	27.50
HDGC2523WRA-2x11P	25.00	30.00
HDGC2523WRA-2x12P	27.50	32.50
HDGC2523WRA-2x13P	30.00	35.00
HDGC2523WRA-2x14P	32.50	37.50
HDGC2523WRA-2x15P	35.00	40.00
HDGC2523WRA-2x16P	37.50	42.50
HDGC2523WRA-2x17P	40.00	45.00
HDGC2523WRA-2x18P	42.50	47.50
HDGC2523WRA-2x19P	45.00	50.00
HDGC2523WRA-2x20P	47.50	52.50



P.C.B LAYOUT
TOLERANCE:±0.05

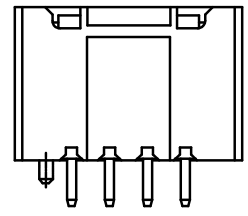
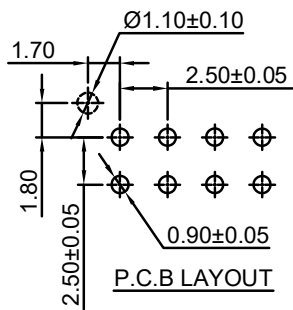
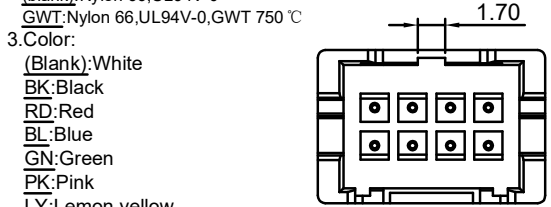
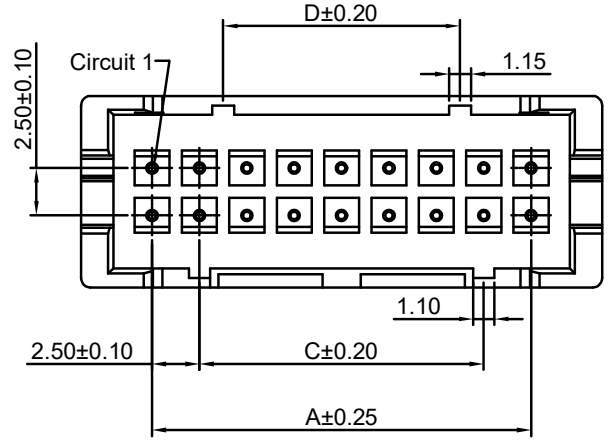
深圳市华德共创科技有限公司
Shenzhen Huade co-create Technology Co.,LTD
TEL : 0755-27129737 FAX : 0755-29940187

-TOLERANCES- UNLESS OTHERWISE SPECIFIED 公差参数表			TITLE: 2.50mm Pitch 产品名称: 90° Wafer						
X.X	±0.30	X.X°	±3°	APPD: 核准:	XIE	PART NO: 产品编号: HDGC2523WRA-2xXP			
X.XX	±0.30	X.XX°	±2°	CHECK: 校对:	WANG	DATE	SCALE	UNIT	CODE NUMBER
X.XXX	±0.10	X.XXX°	±1°	DRAW: 绘图:	WANG	2017-07-10	3:1	mm	A008

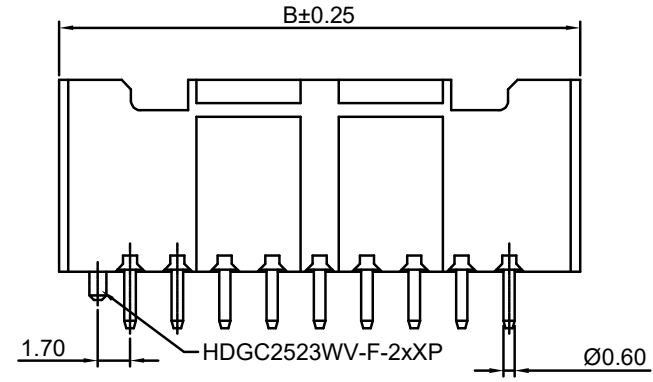
修订 REV	标记 MARK	修改摘要 REVISION DESCRIPTION	签名 SIGNATURE	日期 DATE
AO		NEW RELEASE	WANG	2017-07-10

Ordering Information:
HDGC2523WV-F-2xXP - *** - **
 1 2 3

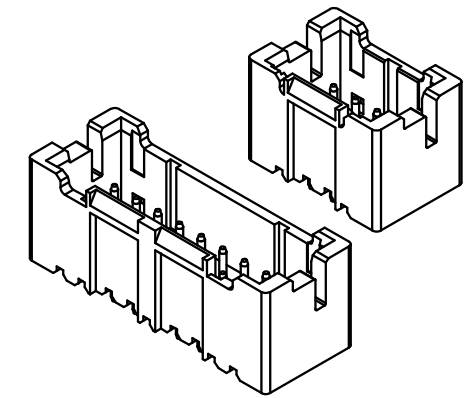
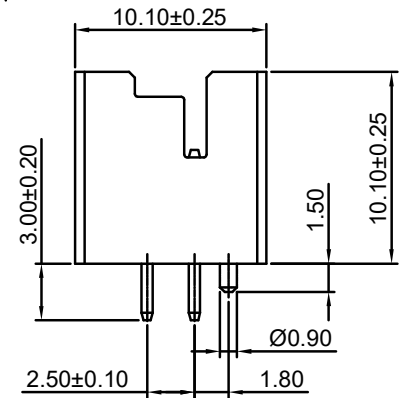
- Part No.
- Material:
 (blank): Nylon 66, UL94V-0
 GWT: Nylon 66, UL94V-0, GWT 750 °C
- Color:
 (Blank): White
 BK: Black
 RD: Red
 BL: Blue
 GN: Green
 PK: Pink
 LY: Lemon yellow



2X4P~2X8P



2X9P~2X21P



Ordering Information & Dimensions:

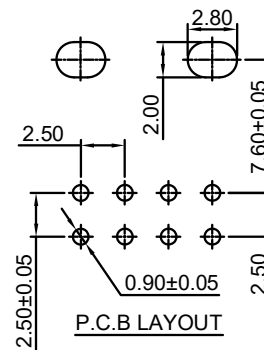
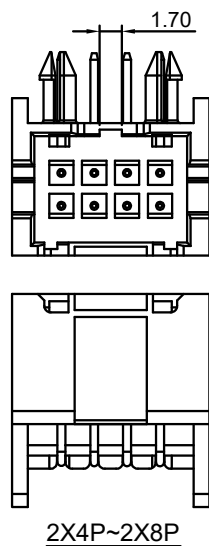
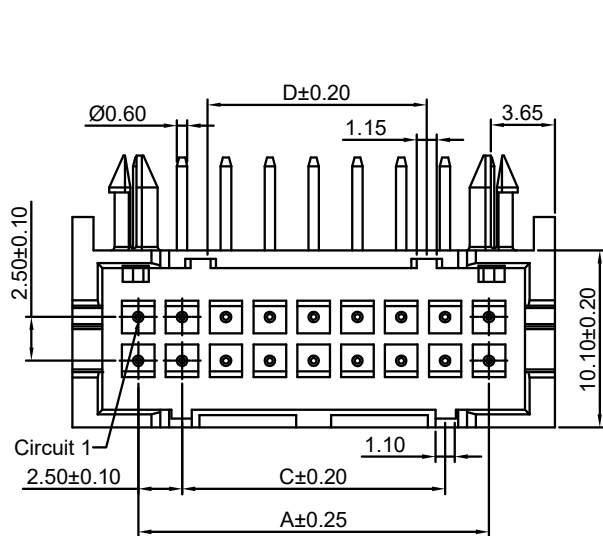
PART NO.	Dimensions			
	A	B	C	D
2x4P	7.50	14.70	9.10	----
2x5P	10.00	17.20	7.50	----
2x6P	12.50	19.70	10.00	----
2x7P	15.00	22.20	12.50	----
2x8P	17.50	24.70	15.00	----
2x9P	20.00	27.20	15.00	12.50
2x10P	22.50	29.70	17.50	15.00
2x11P	25.00	32.20	20.00	17.50
2x12P	27.50	34.70	22.50	20.00
2x13P	30.00	37.20	25.00	22.50
2x14P	32.50	39.70	27.50	25.00
2x15P	35.00	42.20	30.00	27.50
2x16P	37.50	44.70	32.50	30.00
2x17P	40.00	47.20	35.00	32.50
2x18P	42.50	49.70	37.50	35.00
2x19P	45.00	52.20	40.00	37.50
2x20P	47.50	54.70	42.50	40.00

Unit: mm

深圳市华德共创科技有限公司
 Shenzhen Huade co-create Technology Co.,LTD
 TEL : 0755-27129737 FAX : 0755-29940187

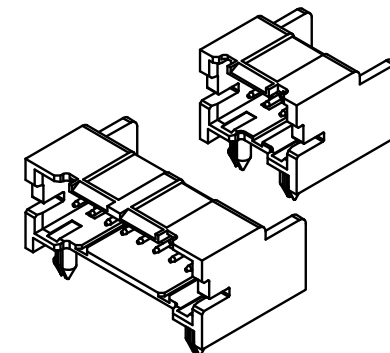
-TOLERANCES- UNLESS OTHERWISE SPECIFIED 公差参数表					TITLE: 产品名称: 2.50mm Pitch 180° Wafer			
X.X	±0.30	X.X°	±3°	APPD: 核准: XIE	PART NO: 产品编号: HDGC2508WV-F-2xXP			
X.XX	±0.30	X.XX°	±2°	CHECK: 校对: WANG	DATE	SCALE	UNIT	CODE NUMBER
X.XXX	±0.10	X.XXX°	±1°	DRAW: 绘图: WANG	2017-07-10	3:1	mm	A008

修订 REV	标记 MARK	修改摘要 REVISION DESCRIPTION	签名 SIGNATURE	日期 DATE
AO		NEW RELEASE	WANG	2017-07-10



Ordering Information:
 HDGC2523WR-F-2xXP - *** - **
 1 2 3

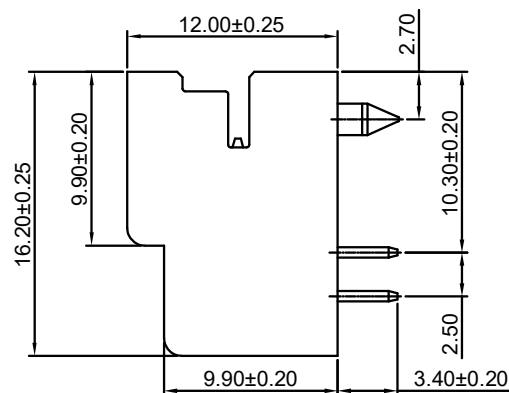
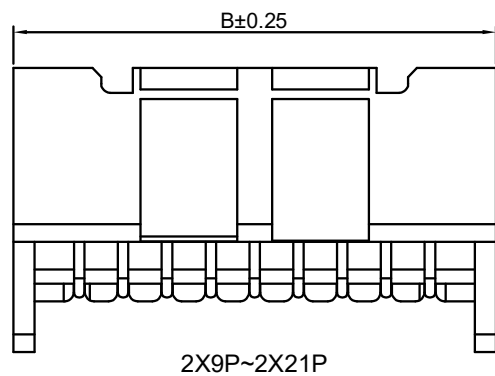
1.Part No.
 2.Material:
 (blank):Nylon 66,UL94V-0
 GWT:Nylon 66,UL94V-0,GWT 750 °C
 3.Color:
 (Blank):White
 BK:Black
 RD:Red
 BL:Blue
 GN:Green
 PK:Pink
 LY:Lemon yellow



Ordering Information & Dimensions:

PART NO.	Dimensions			
	A	B	C	D
2x4P	7.50	14.70	9.10	----
2x5P	10.00	17.20	7.50	----
2x6P	12.50	19.70	10.00	----
2x7P	15.00	22.20	12.50	----
2x8P	17.50	24.70	15.00	----
2x9P	20.00	27.20	15.00	12.50
2x10P	22.50	29.70	17.50	15.00
2x11P	25.00	32.20	20.00	17.50
2x12P	27.50	34.70	22.50	20.00
2x13P	30.00	37.20	25.00	22.50
2x14P	32.50	39.70	27.50	25.00
2x15P	35.00	42.20	30.00	27.50
2x16P	37.50	44.70	32.50	30.00
2x17P	40.00	47.20	35.00	32.50
2x18P	42.50	49.70	37.50	35.00
2x19P	45.00	52.20	40.00	37.50
2x20P	47.50	54.70	42.50	40.00

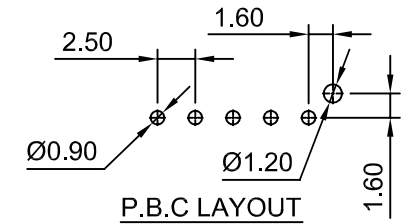
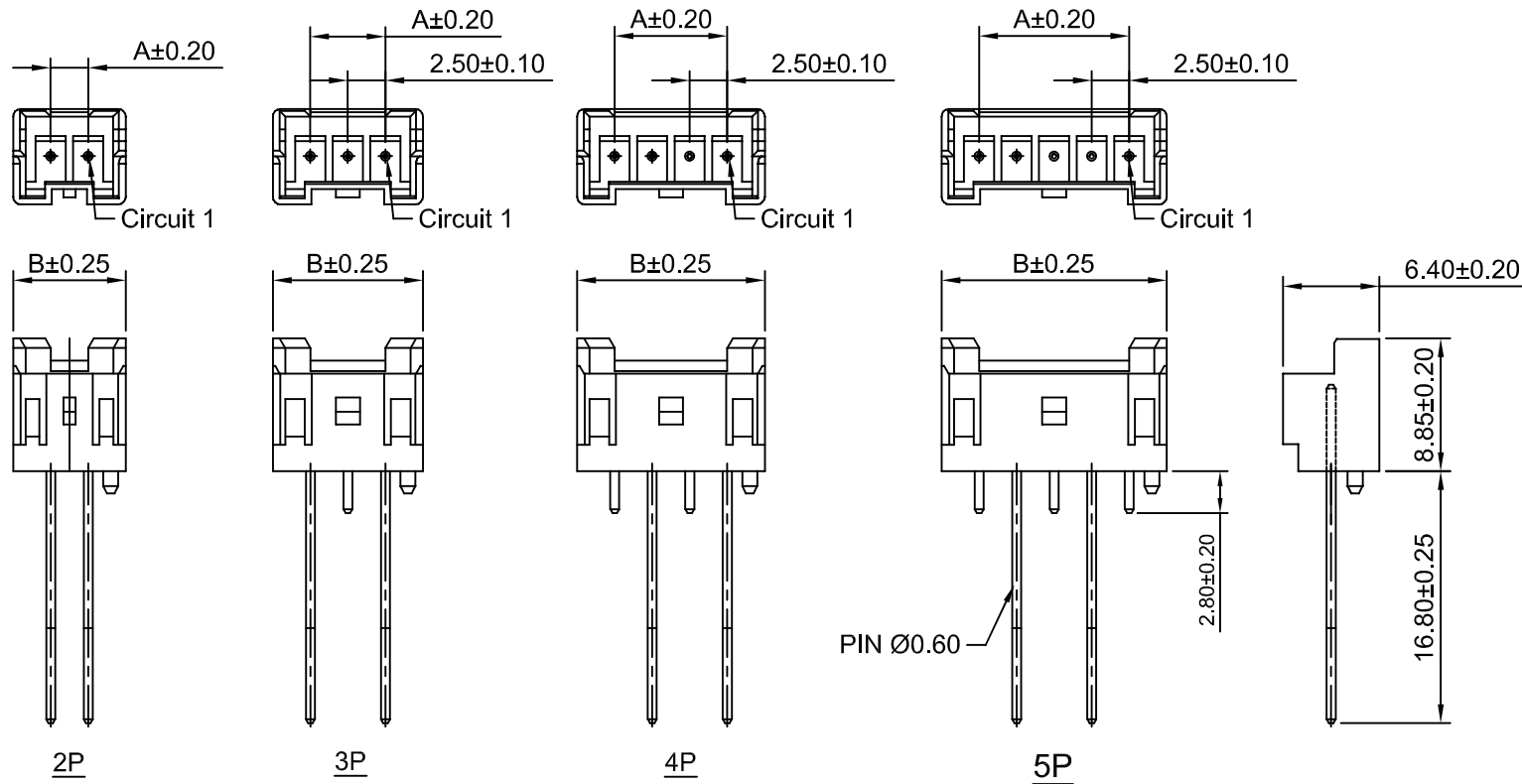
Unit: mm



深圳市华德共创科技有限公司
 Shenzhen Huade co-create Technology Co.,LTD
 TEL : 0755-27129737 FAX : 0755-29940187

-TOLERANCES- UNLESS OTHERWISE SPECIFIED 公差参数表				TITLE: 2.50mm Pitch 产品名称: 90° Wafer							
X.X	±0.30	X.X°	±3°	APPD: 核准:	XIE			PART NO: 产品编号:	HDGC2523WR-F-2xXP		
X.XX	±0.30	X.XX°	±2°	CHECK: 校对:	WANG			DATE	SCALE	UNIT	CODE NUMBER
X.XXX	±0.10	X.XXX°	±1°	DRAW: 绘图:	WANG			2017-07-10	3:1	mm	A008

修订 REV	标记 MARK	修改摘要 REVISION DESCRIPTION	签名 SIGNATURE	日期 DATE
AO		NEW RELEASE	WANG	2017-07-10



Ordering Information:
 HDGC2523WVT-F-XP - **
 1 2

- 1.Part No.
- 2.Color:
 (blank):Ivory
 BK:Black
 RD:Red
 YL:Yellow
 BL:Blue
 GN:Green

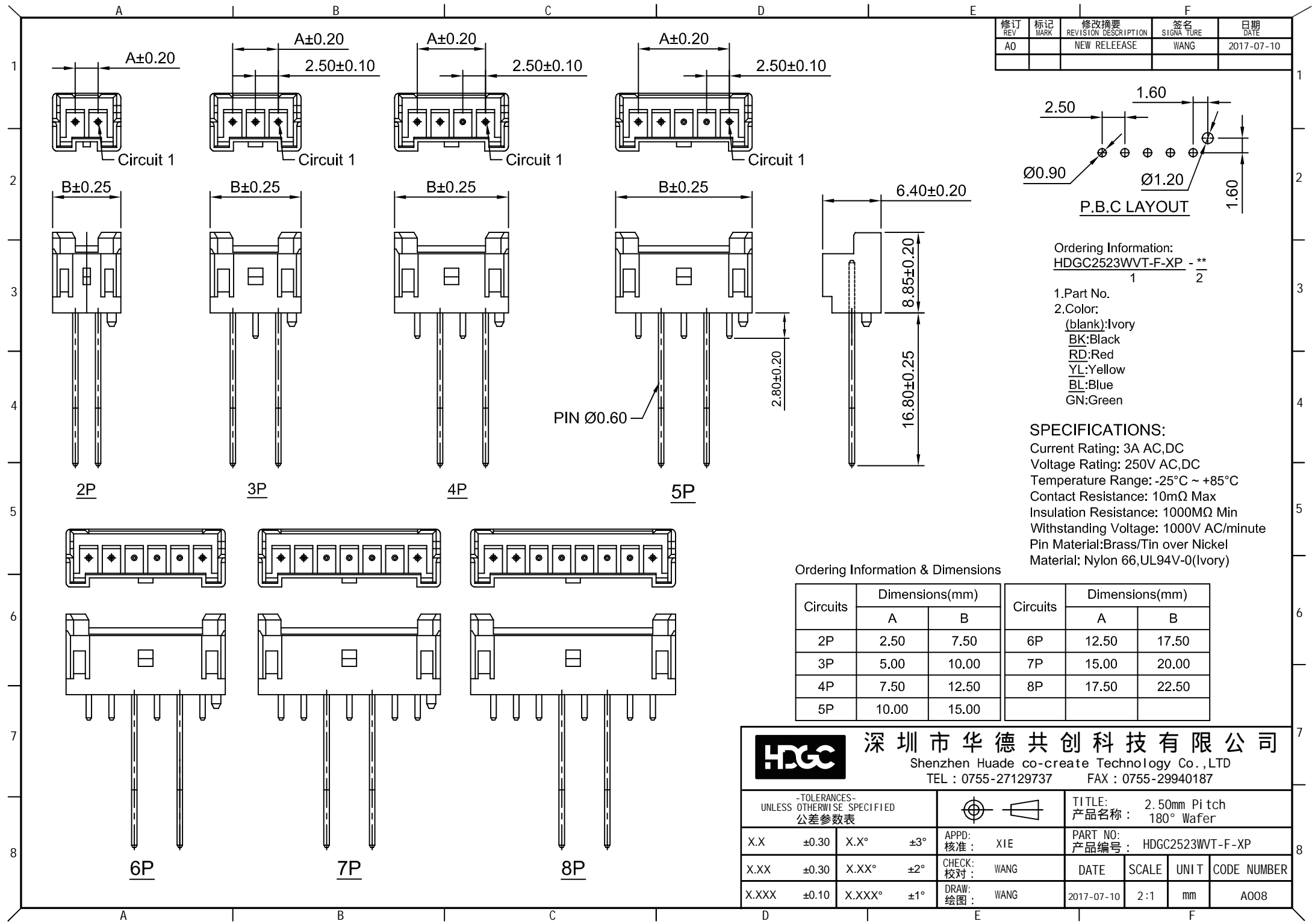
SPECIFICATIONS:
 Current Rating: 3A AC,DC
 Voltage Rating: 250V AC,DC
 Temperature Range: -25°C ~ +85°C
 Contact Resistance: 10mΩ Max
 Insulation Resistance: 1000MΩ Min
 Withstanding Voltage: 1000V AC/minute
 Pin Material:Brass/Tin over Nickel
 Material: Nylon 66,UL94V-0(Ivory)

Ordering Information & Dimensions

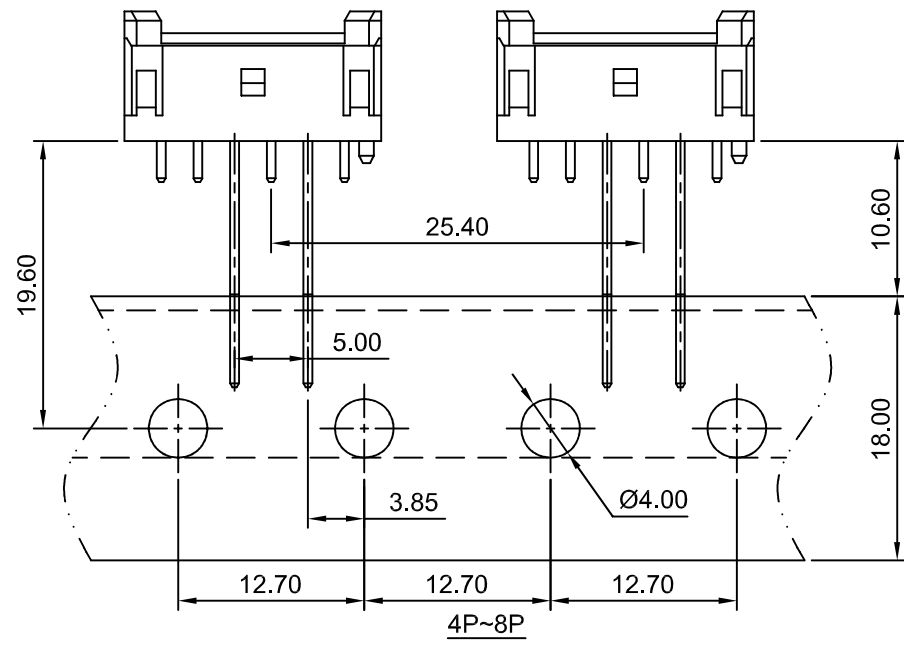
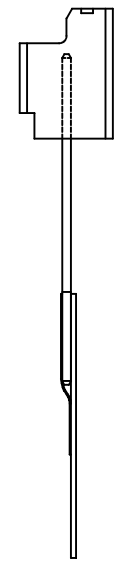
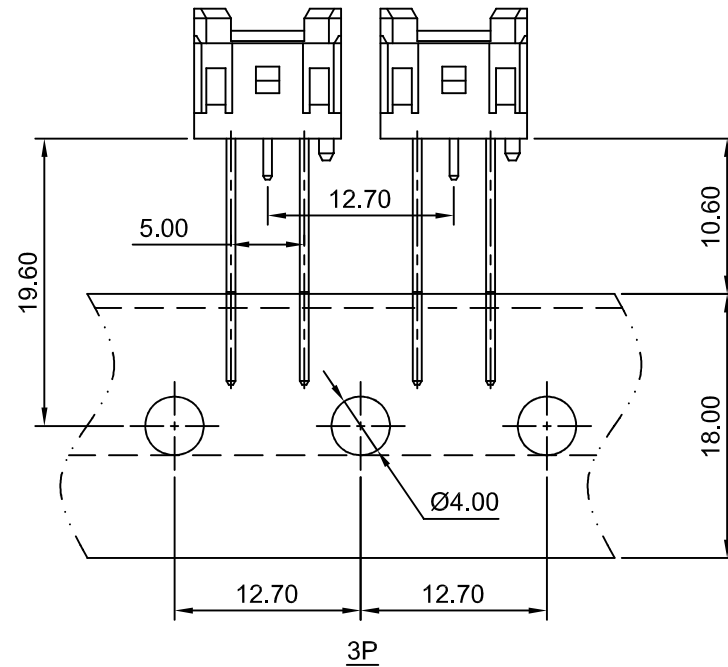
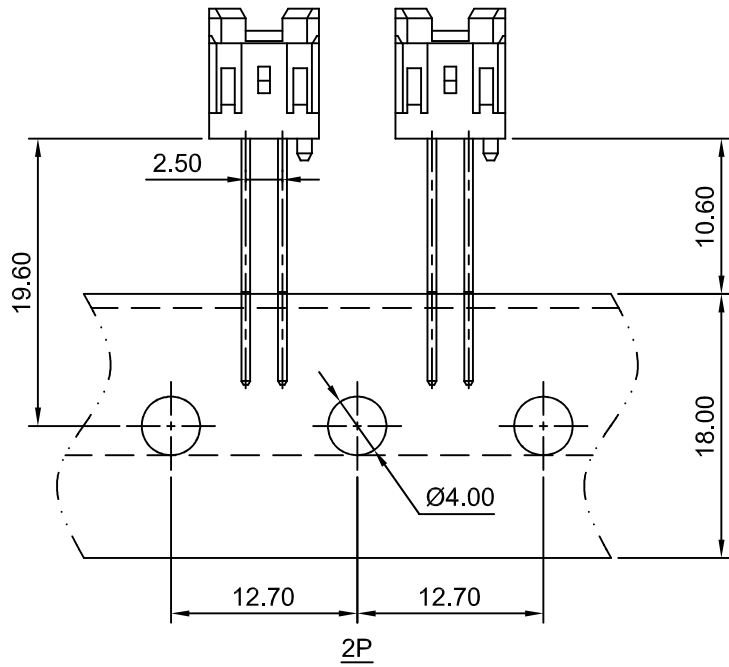
Circuits	Dimensions(mm)		Circuits	Dimensions(mm)	
	A	B		A	B
2P	2.50	7.50	6P	12.50	17.50
3P	5.00	10.00	7P	15.00	20.00
4P	7.50	12.50	8P	17.50	22.50
5P	10.00	15.00			

深圳市华德共创科技有限公司
 Shenzhen Huade co-create Technology Co.,LTD
 TEL : 0755-27129737 FAX : 0755-29940187

-TOLERANCES- UNLESS OTHERWISE SPECIFIED 公差参数表				TITLE: 2.50mm Pitch 产品名称: 180° Wafer							
X.X	±0.30	X.X°	±3°	APPD: 核准:	XIE			PART NO: 产品编号:	HDGC2523WVT-F-XP		
X.XX	±0.30	X.XX°	±2°	CHECK: 校对:	WANG			DATE	SCALE	UNIT	CODE NUMBER
X.XXX	±0.10	X.XXX°	±1°	DRAW: 绘图:	WANG			2017-07-10	2:1	mm	A008

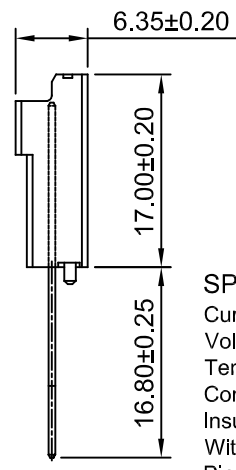
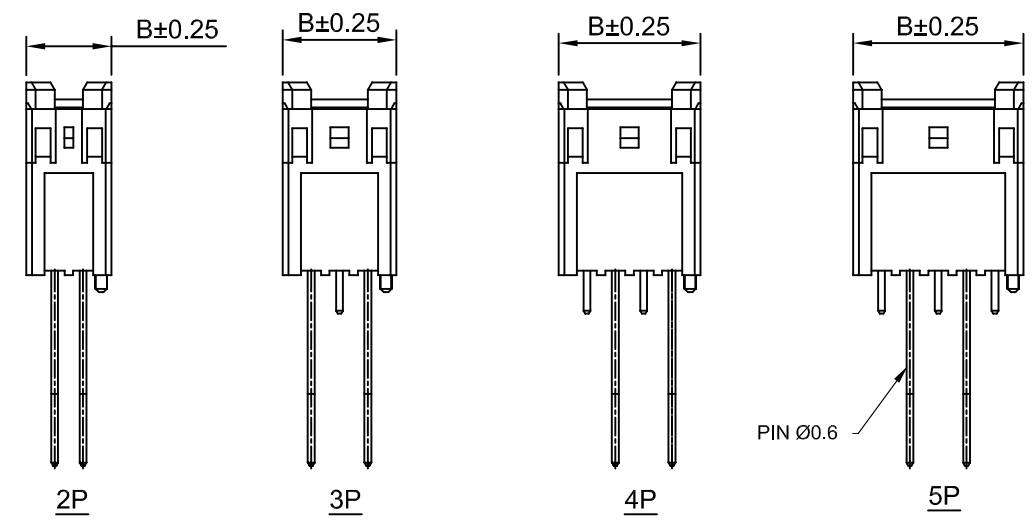
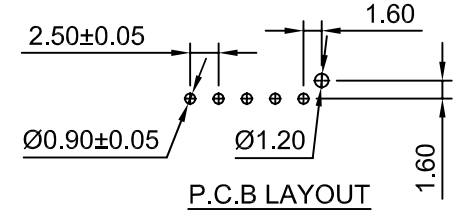
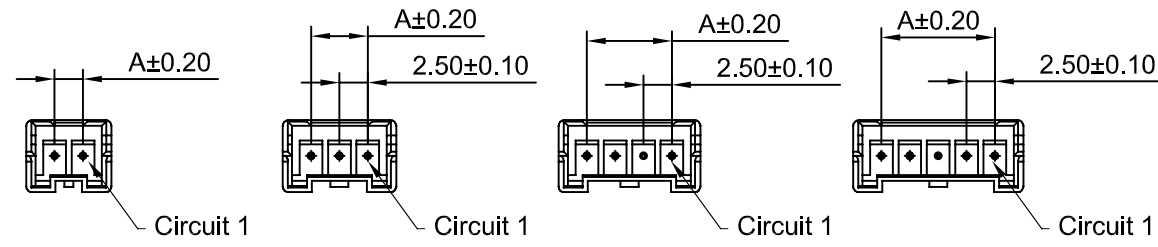


修订 REV	标记 MARK	修改摘要 REVISION DESCRIPTION	签名 SIGNATURE	日期 DATE
AO		NEW RELEASE	WANG	2017-07-10



 深圳市华德共创科技有限公司 Shenzhen Huade co-create Technology Co.,LTD TEL : 0755-27129737 FAX : 0755-29940187		TITLE: 2.50mm Pitch 产品名称: 180° Wafer	
-TOLERANCES- UNLESS OTHERWISE SPECIFIED 公差参数表		 	
X.X	±0.30	X.X°	±3°
X.XX	±0.30	X.XX°	±2°
X.XXX	±0.10	X.XXX°	±1°
APPD: 核准:	XIE	PART NO: 产品编号:	HDGC2523WVT-F-XP
CHECK: 校对:	WANG	DATE	SCALE
DRAW: 绘图:	WANG	2017-07-10	2:1
		UNIT	CODE NUMBER
		mm	A008

修订 REV	标记 MARK	修改摘要 REVISION DESCRIPTION	签名 SIGNATURE	日期 DATE
AO		NEW RELEASE	WANG	2017-07-10



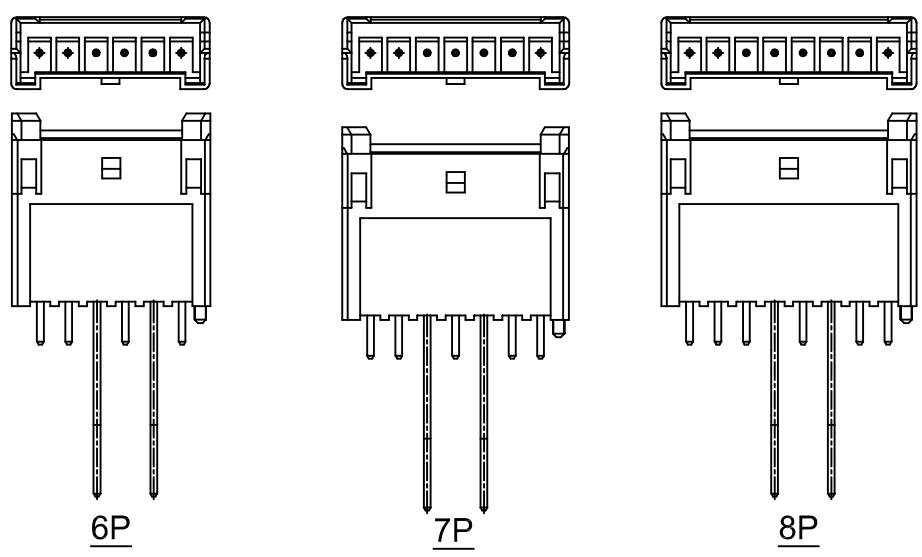
Ordering Information:
HDGC2523WVT-F-XP-H - **
 1 2

- 1.Part No.
 2.Color:
 (blank);Ivory
 BK;Black
 RD;Red
 YL;Yellow
 BL;Blue
 GN;Green

SPECIFICATIONS:
 Current Rating: 3A AC,DC
 Voltage Rating: 250V AC,DC
 Temperature Range: -25°C ~ +85°C
 Contact Resistance: 10mΩ Max
 Insulation Resistance: 1000MΩ Min
 Withstanding Voltage: 1000V AC/minute
 Pin Material:Brass/Tin over Nickel
 Material: Nylon 66,UL94V-0(Ivory)

Ordering Information & Dimensions

Circuits	Dimensions(mm)		Circuits	Dimensions(mm)	
	A	B		A	B
2P	2.50	7.50	6P	12.50	17.50
3P	5.00	10.00	7P	15.00	20.00
4P	7.50	12.50	8P	17.50	22.50
5P	10.00	15.00			

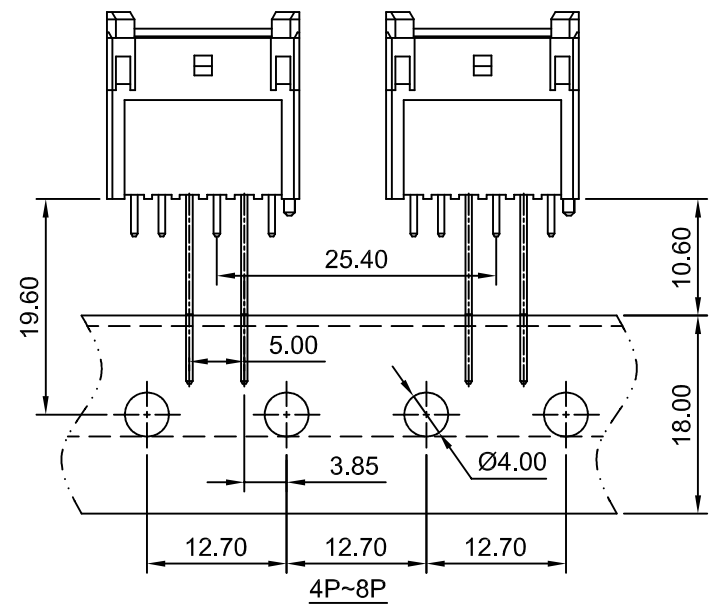
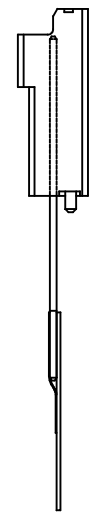
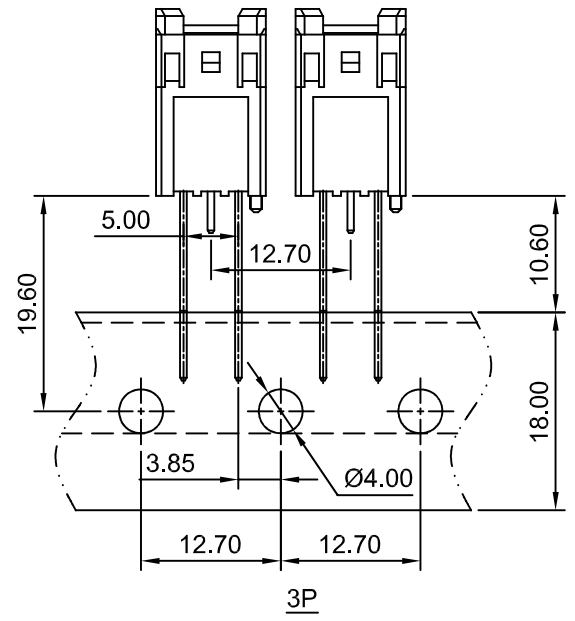
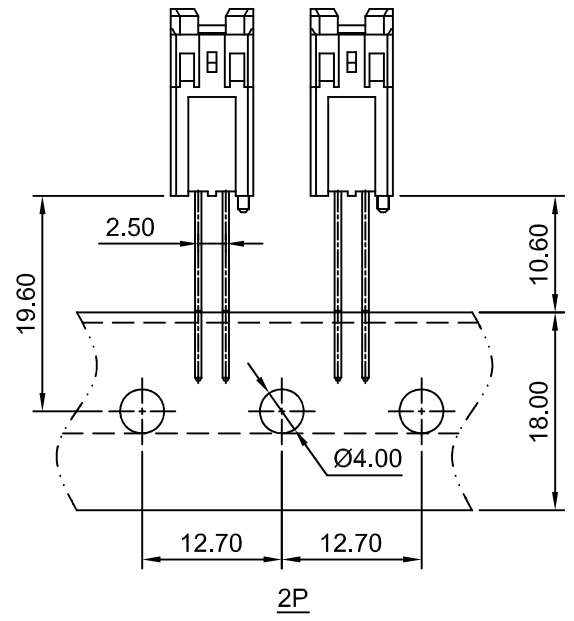



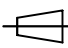


深圳市华德共创科技有限公司
 Shenzhen Huade co-create Technology Co.,LTD
 TEL : 0755-27129737 FAX : 0755-29940187

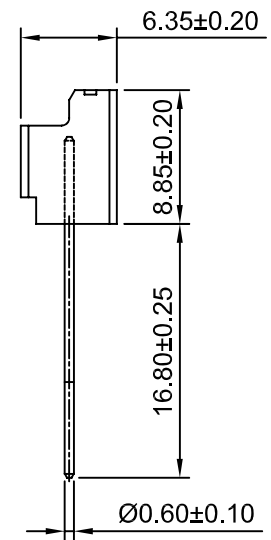
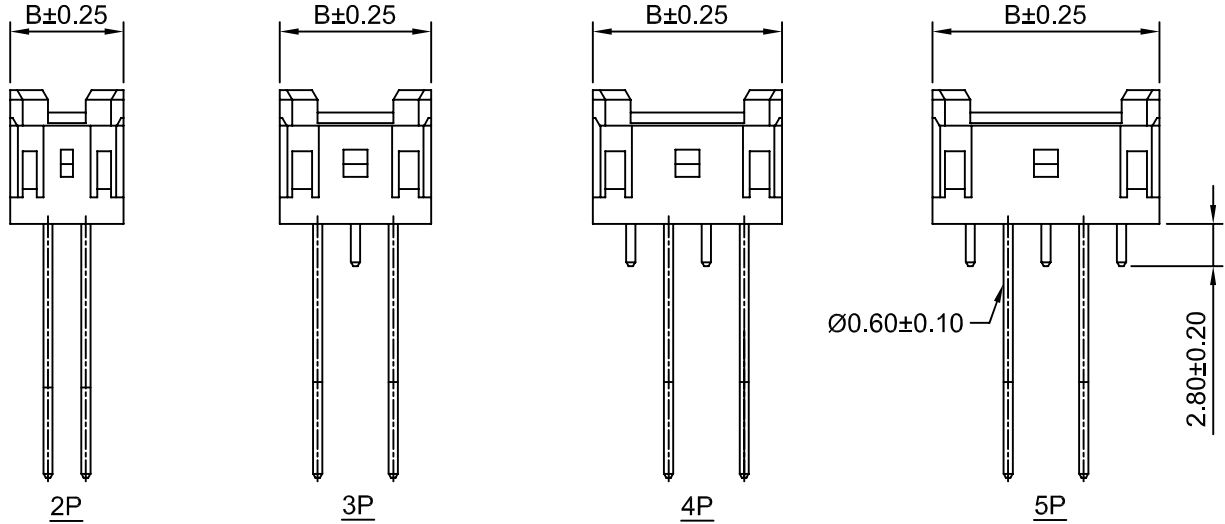
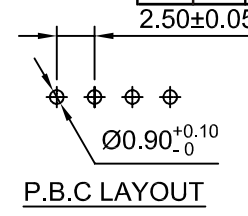
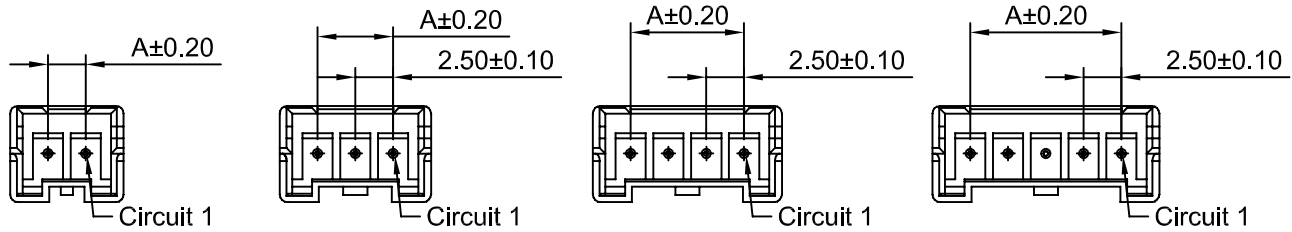
-TOLERANCES- UNLESS OTHERWISE SPECIFIED 公差参数表					TITLE: 2.50mm Pitch 产品名称: 180° Wafer			
X.X	±0.30	X.X°	±3°	APPD: 核准: XIE	PART NO: 产品编号: HDGC2523WVT-F-XP-H			
X.XX	±0.30	X.XX°	±2°	CHECK: 校对: WANG	DATE	SCALE	UNIT	CODE NUMBER
X.XXX	±0.10	X.XXX°	±1°	DRAW: 绘图: WANG	2017-07-10	2:1	mm	A008

修订 REV	标记 MARK	修改摘要 REVISION DESCRIPTION	签名 SIGNATURE	日期 DATE
AO		NEW RELEASE	WANG	2017-07-10



 深圳市华德共创科技有限公司 Shenzhen Huade co-create Technology Co.,LTD TEL : 0755-27129737 FAX : 0755-29940187		TITLE: 2.50mm Pitch 产品名称: 180° Wafer	
-TOLERANCES- UNLESS OTHERWISE SPECIFIED 公差参数表		 	
X.X	±0.30	X.X°	±3°
X.XX	±0.30	X.XX°	±2°
X.XXX	±0.10	X.XXX°	±1°
APPD: 核准:	XIE	PART NO: 产品编号:	HDGC2523WVT-F-XP-H
CHECK: 校对:	WANG	DATE	SCALE
DRAW: 绘图:	WANG	2017-07-10	2:1
		UNIT	CODE NUMBER
		mm	A008

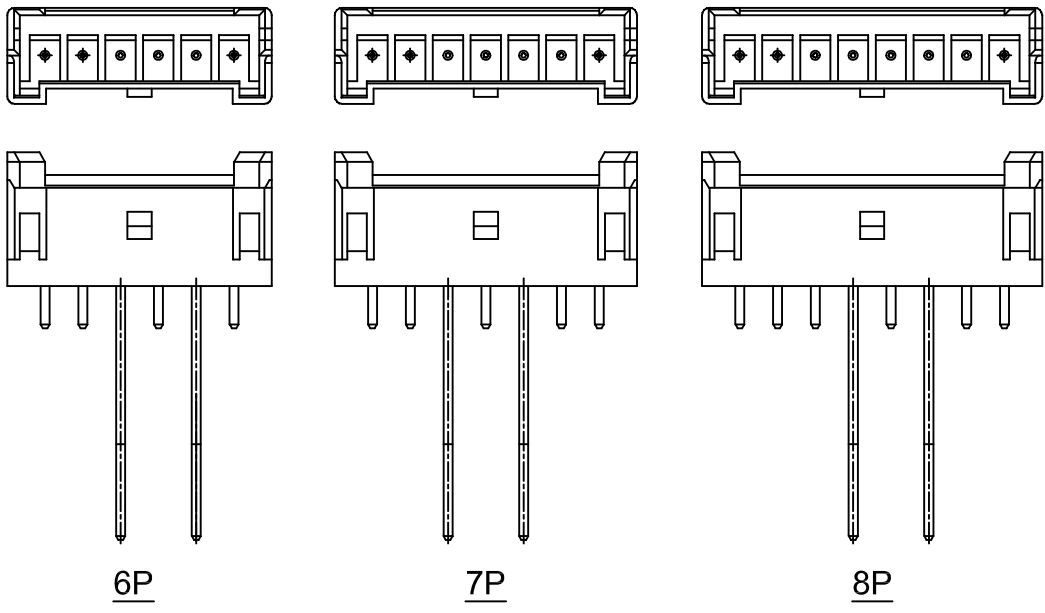
修订 REV	标记 MARK	修改摘要 REVISION DESCRIPTION	签名 SIGNATURE	日期 DATE
AO		NEW RELEASE	WANG	2017-07-10



Ordering Information:
HDGC2523WVT-XP - **
1 2

- 1.Part No.
2.Color:
(blank):Ivory
BK:Black
RD:Red
YL:Yellow
BL:Blue
GN:Green

SPECIFICATIONS:
Current Rating: 3A AC,DC
Voltage Rating: 250V AC,DC
Temperature Range: -25°C ~ +85°C
Contact Resistance: 10mΩ Max
Insulation Resistance: 1000MΩ Min
Withstanding Voltage: 1000V AC/minute
Pin Material:Brass/Tin over Nickel
Material: Nylon 66,UL94V-0(Ivory)



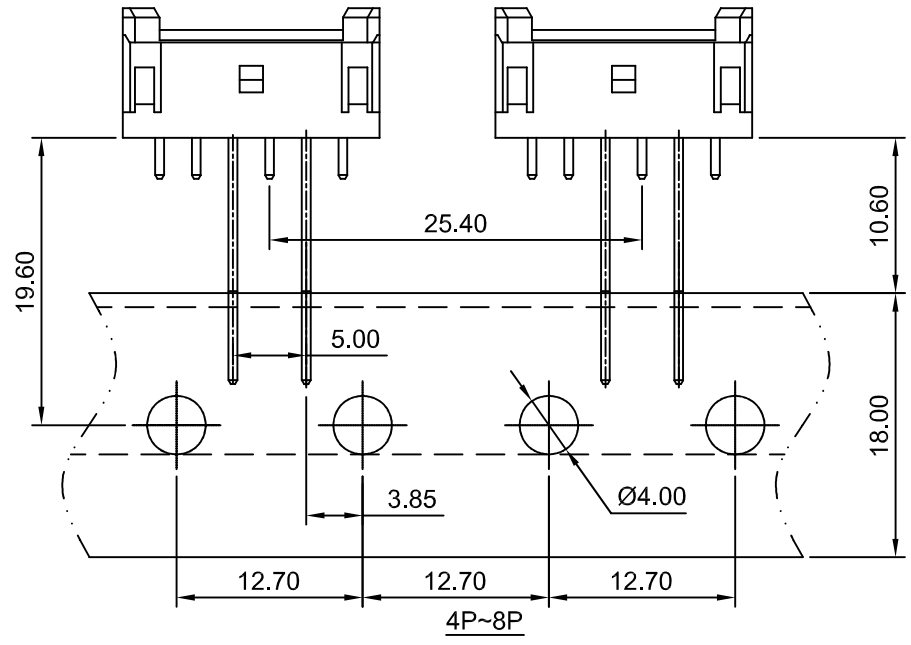
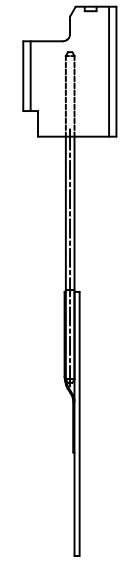
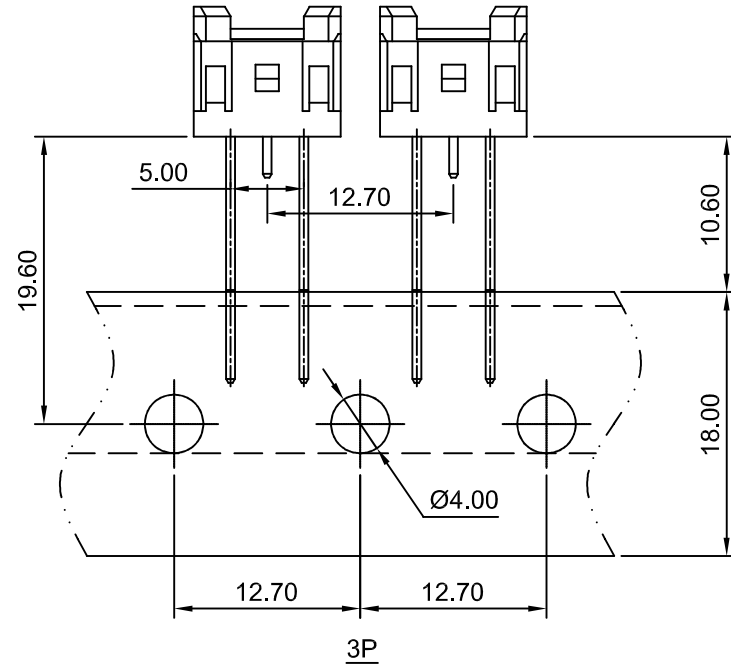
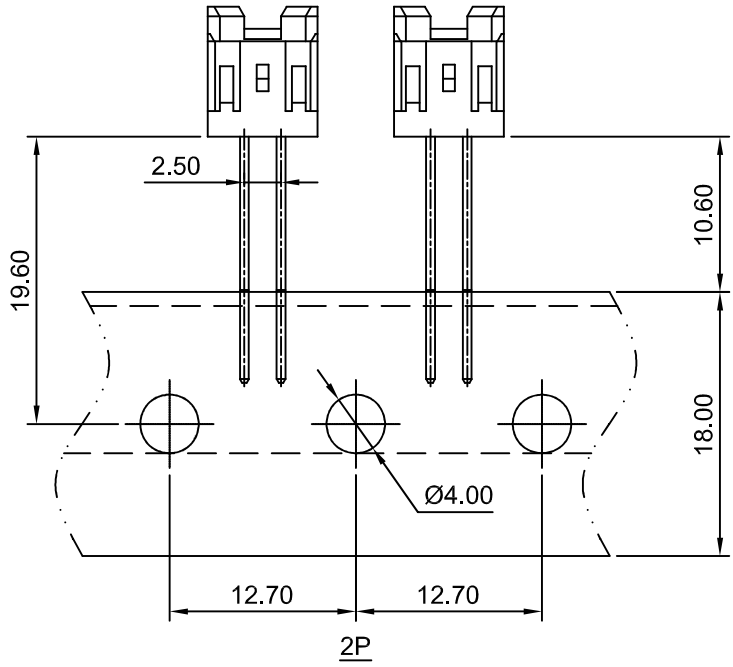
Ordering Information & Dimensions

Circuits	Dimensions(mm)		Circuits	Dimensions(mm)	
	A	B		A	B
2P	2.50	7.50	6P	12.50	17.50
3P	5.00	10.00	7P	15.00	20.00
4P	7.50	12.50	8P	17.50	22.50
5P	10.00	15.00			

HDGC 深圳市华德共创科技有限公司
Shenzhen Huade co-create Technology Co.,LTD
TEL : 0755-27129737 FAX : 0755-29940187

-TOLERANCES- UNLESS OTHERWISE SPECIFIED 公差参数表						TITLE: 产品名称: 2.50mm Pitch 180° Wafer			
X.X	±0.30	X.X°	±3°	APPD: 核准:	XIE	PART NO: 产品编号: HDGC2523WVT-XP			
X.XX	±0.30	X.XX°	±2°	CHECK: 校对:	WANG	DATE	SCALE	UNIT	CODE NUMBER
X.XXX	±0.10	X.XXX°	±1°	DRAW: 绘图:	WANG	2017-07-10	2:1	mm	A008

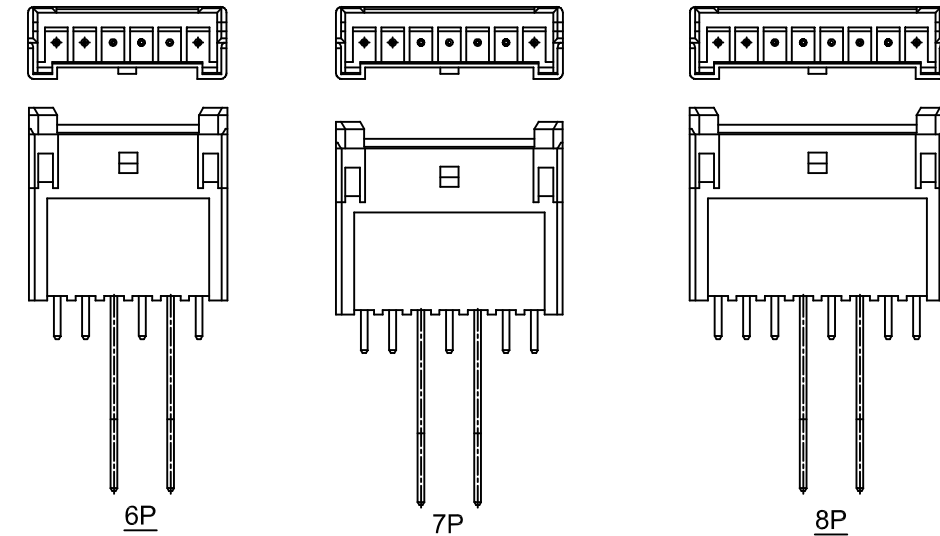
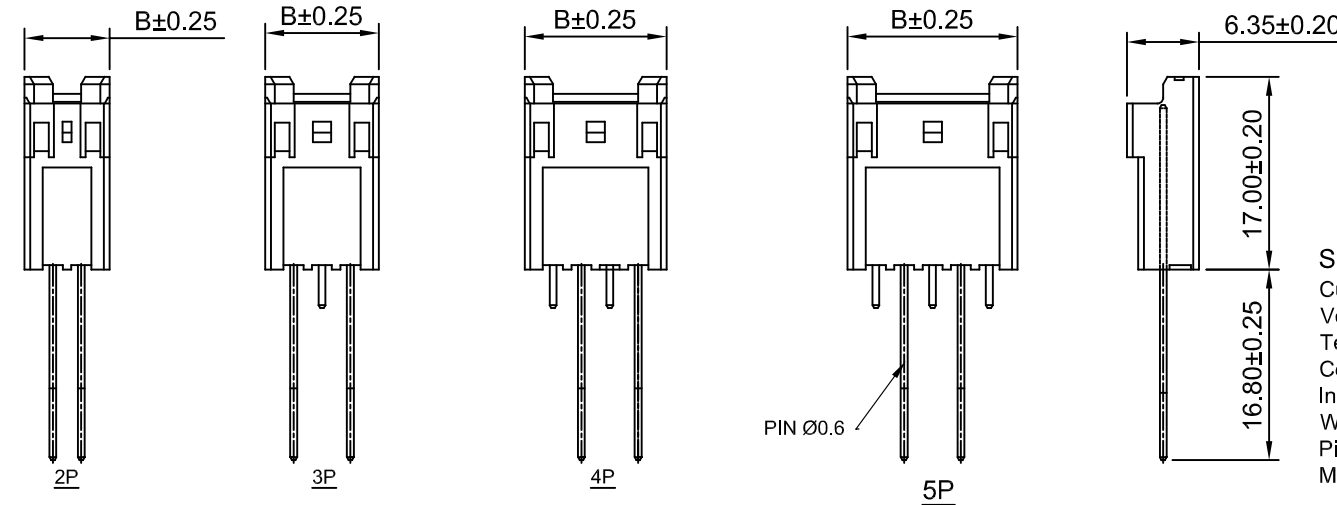
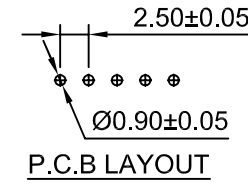
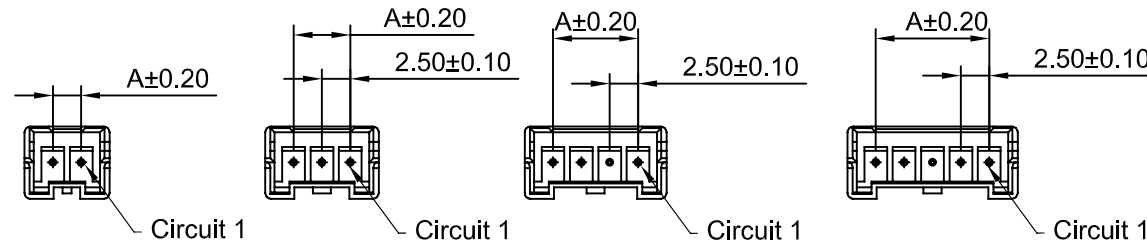
修订 REV	标记 MARK	修改摘要 REVISION DESCRIPTION	签名 SIGNATURE	日期 DATE
AO		NEW RELEASE	WANG	2017-07-10



HDGC 深圳市华德共创科技有限公司
 Shenzhen Huade co-create Technology Co.,LTD
 TEL : 0755-27129737 FAX : 0755-29940187

-TOLERANCES- UNLESS OTHERWISE SPECIFIED 公差参数表					TITLE: 2.50mm Pitch 产品名称: 180° Wafer			
X.X	±0.30	X.X°	±3°	APPD: 核准:	XIE			
X.XX	±0.30	X.XX°	±2°	CHECK: 校对:	WANG			
X.XXX	±0.10	X.XXX°	±1°	DRAW: 绘图:	WANG			
PART NO: 产品编号: HDGC2523WVT-XP					DATE	SCALE	UNIT	CODE NUMBER
					2017-07-10	2:1	mm	A008

修订 REV	标记 MARK	修改摘要 REVISION DESCRIPTION	签名 SIGNATURE	日期 DATE
AO		NEW RELEASE	WANG	2017-07-10



Ordering Information:
HDGC2523WVT-XP-H - **
 1 2

- 1.Part No.
 2.Color:
 (blank):Ivory
 BK:Black
 RD:Red
 YL:Yellow
 BL:Blue
 GN:Green

SPECIFICATIONS:

Current Rating: 3A AC,DC
 Voltage Rating: 250V AC,DC
 Temperature Range: -25°C ~ +85°C
 Contact Resistance: 10mΩ Max
 Insulation Resistance: 1000MΩ Min
 Withstanding Voltage: 1000V AC/minute
 Pin Material:Brass/Tin over Nickel
 Material: Nylon 66,UL94V-0(Ivory)

Ordering Information & Dimensions

Circuits	Dimensions(mm)		Circuits	Dimensions(mm)	
	A	B		A	B
2P	2.50	7.50	6P	12.50	17.50
3P	5.00	10.00	7P	15.00	20.00
4P	7.50	12.50	8P	17.50	22.50
5P	10.00	15.00			

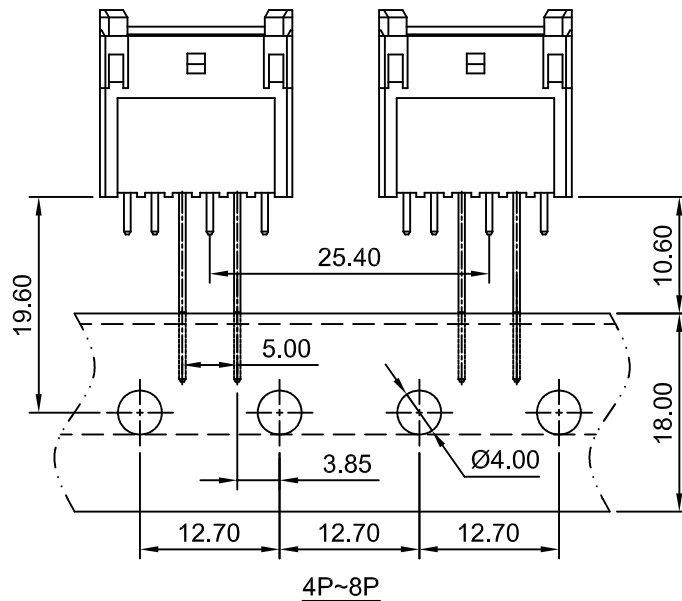
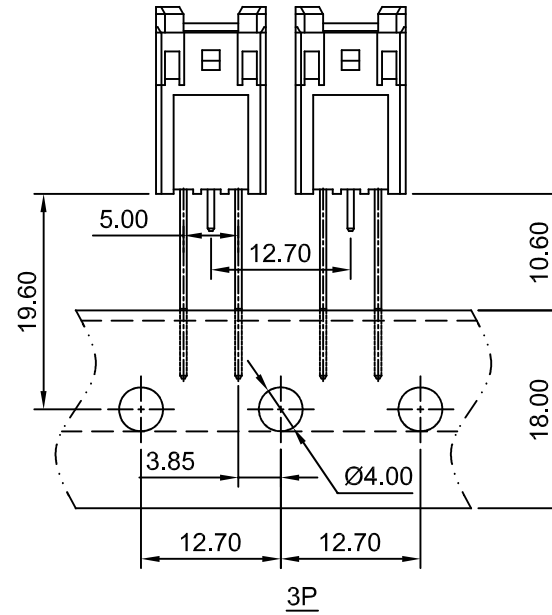
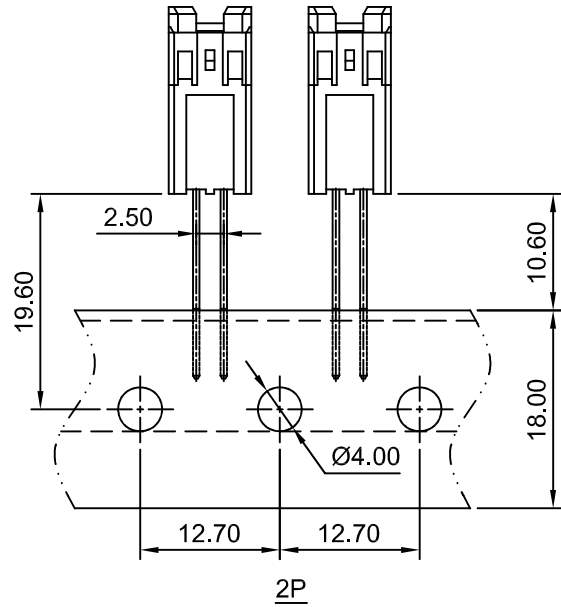


深圳市华德共创科技有限公司

Shenzhen Huade co-create Technology Co.,LTD
 TEL : 0755-27129737 FAX : 0755-29940187

-TOLERANCES- UNLESS OTHERWISE SPECIFIED 公差参数表						TITLE: 产品名称: 2.50mm Pitch 180° Wafer			
X.X	±0.30	X.X°	±3°	APPD: 核准:	XIE	PART NO: 产品编号: HDGC2523WVT-XP-H			
X.XX	±0.30	X.XX°	±2°	CHECK: 校对:	WANG	DATE	SCALE	UNIT	CODE NUMBER
X.XXX	±0.10	X.XXX°	±1°	DRAW: 绘图:	WANG	2017-07-10	2:1	mm	A008

修订 REV	标记 MARK	修改摘要 REVISION DESCRIPTION	签名 SIGNATURE	日期 DATE
AO		NEW RELEASE	WANG	2017-07-10



		深圳市华德共创科技有限公司 Shenzhen Huade co-create Technology Co.,LTD TEL : 0755-27129737 FAX : 0755-29940187						
-TOLERANCES- UNLESS OTHERWISE SPECIFIED 公差参数表		 		TITLE: 产品名称: 2.50mm Pitch 180° Wafer				
X.X	±0.30	X.X°	±3°	APPD: 核准: XIE	PART NO: 产品编号: HDGC2523WVT-XP-H			
X.XX	±0.30	X.XX°	±2°	CHECK: 校对: WANG	DATE	SCALE	UNIT	CODE NUMBER
X.XXX	±0.10	X.XXX°	±1°	DRAW: 绘图: WANG	2017-07-10	2:1	mm	A008