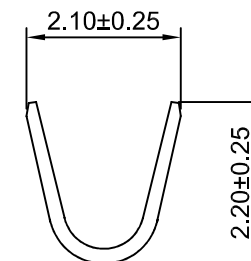
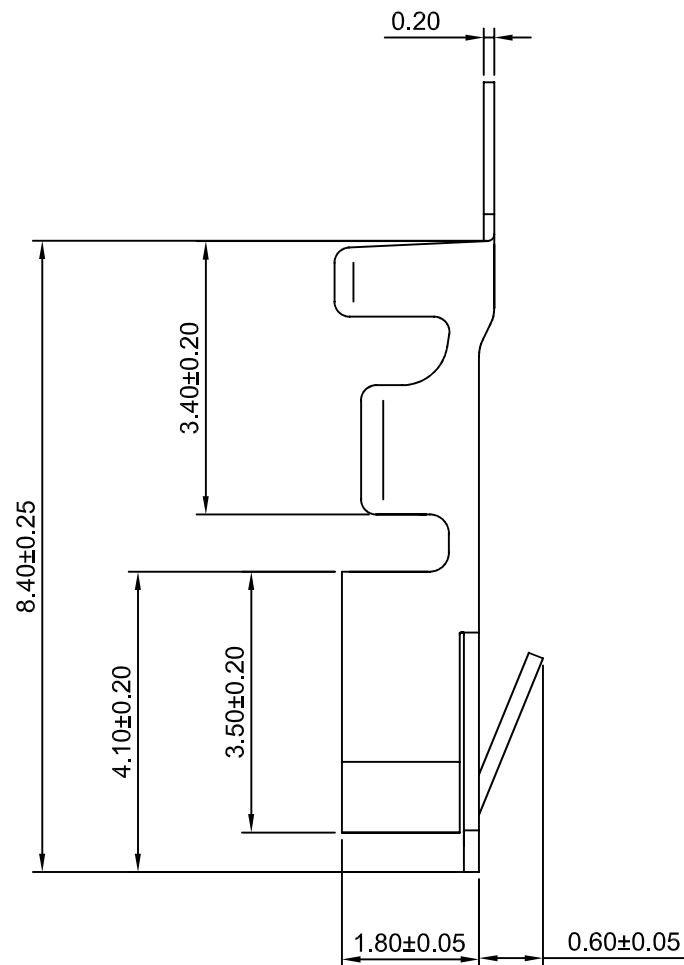
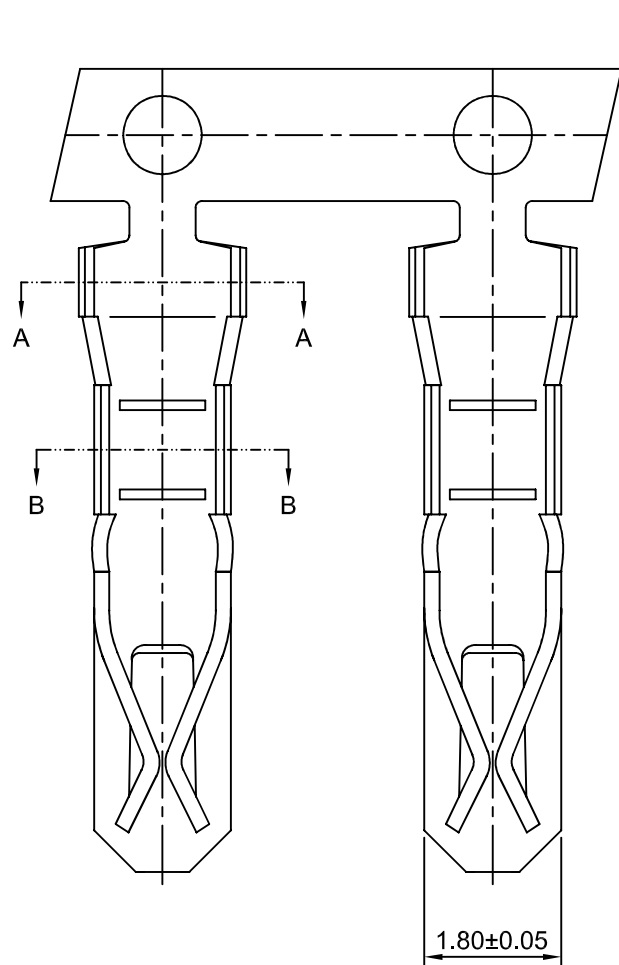
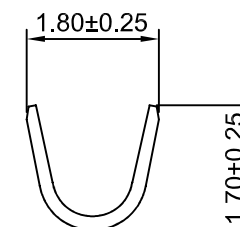


修订 REV	标记 MARK	修改摘要 REVISION DESCRIPTION	签名 SIGNATURE	日期 DATE
AO		NEW RELEASE	WANG	2011-06-22



SEC:A-A



SEC:B-B

Ordering information & Specifications

Unit:mm

Part No	Wire Range	Insultion O.D.	Material	Finish	Qty/reel
HDGC2512-TP	AWG#22-#28	1.70mm(max)	Phosphor Bronze	Tin over Nickel	10,000 PCS
HDGC2512-GP	AWG#22-#28	1.70mm(max)	Phosphor Bronze	Gold over Nickel	10,000 PCS

Optional Gold plating available but MOQ requested



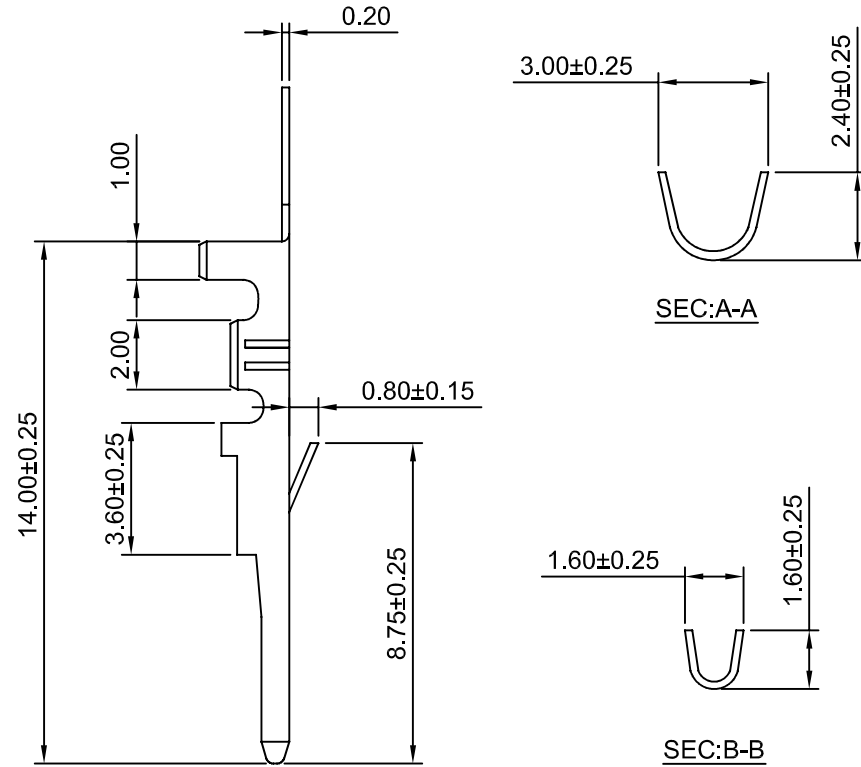
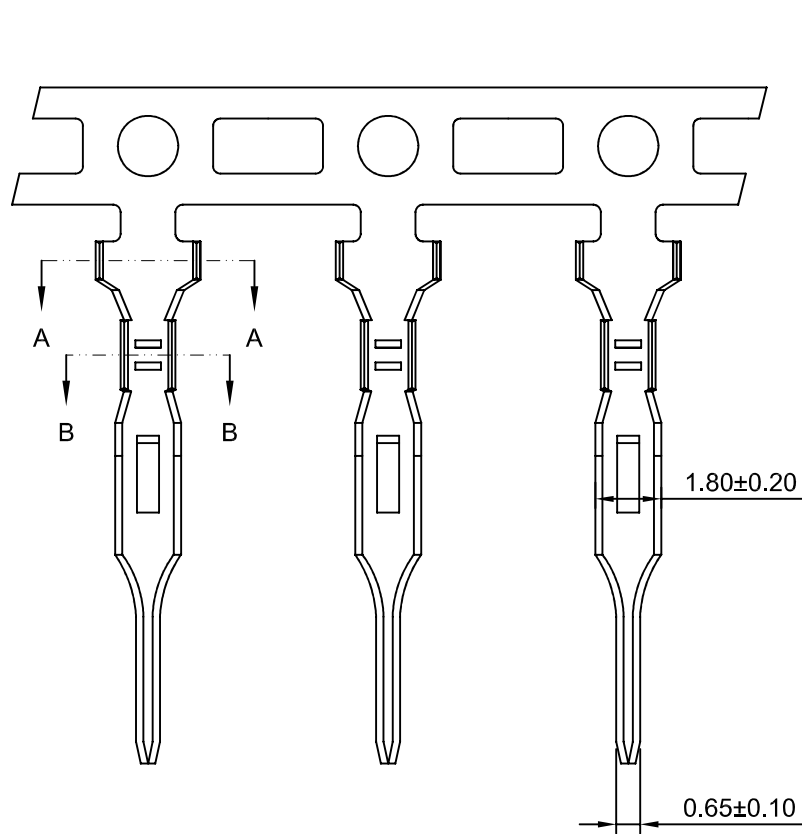
深圳市华德共创科技有限公司

Shenzhen Huade co-create Technology Co.,LTD

TEL : 0755-27129737 FAX : 0755-29940187

-TOLERANCES- UNLESS OTHERWISE SPECIFIED 公差参数表						TITLE: 2.50mm Pitch 产品名称: Crimp Terminal			
X.X	±0.30	X.X°	±3°	APPD: 核准:	XIE	PART NO: 产品编号: HDGC2512F-T			
X.XX	±0.30	X.XX°	±2°	CHECK: 校对:	WANG	DATE	SCALE	UNIT	CODE NUMBER
X.XXX	±0.10	X.XXX°	±1°	DRAW: 绘图:	WANG	2011-06-22	10:1	mm	A008

修订 REV	标记 MARK	修改摘要 REVISION DESCRIPTION	签名 SIGNATURE	日期 DATE
AO		NEW RELEASE	WANG	2011-06-22



Ordering information & Specifications

Unit:mm

Part No	Wire Range	Insultion O.D.	Material	Finish	Qty/reel
HDGC2512M-TP	AWG#22-#28	1.70mm(max)	Phosphor Bronze	Tin over Nickel	10,000 PCS
HDGC2512M-GP	AWG#22-#28	1.70mm(max)	Phosphor Bronze	Gold over Nickel	10,000 PCS

Optional Gold plating available but MOQ requested



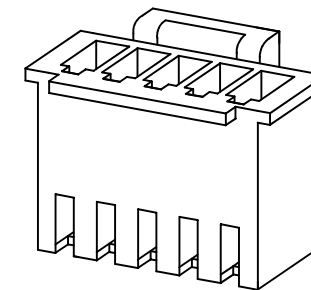
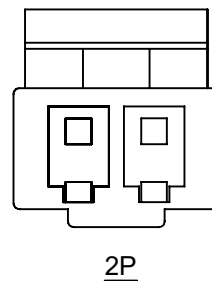
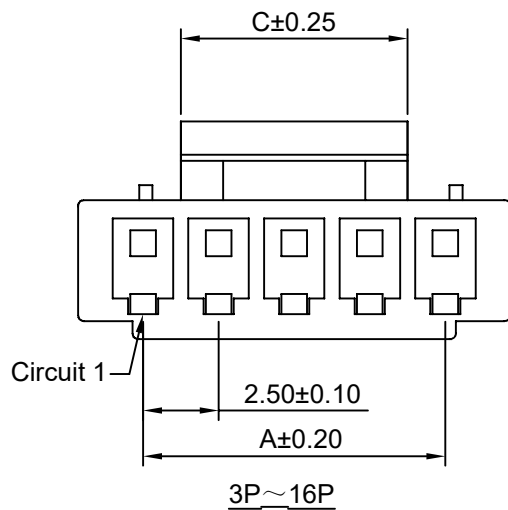
深圳市华德共创科技有限公司

Shenzhen Huade co-create Technology Co.,LTD

TEL : 0755-27129737 FAX : 0755-29940187

-TOLERANCES- UNLESS OTHERWISE SPECIFIED 公差参数表						TITLE: 2.50mm Pitch 产品名称: Crimp Terminal			
X.X	±0.30	X.X°	±3°	APPD: 核准:	XIE	PART NO: 产品编号: HDGC2512M-T			
X.XX	±0.30	X.XX°	±2°	CHECK: 校对:	WANG	DATE	SCALE	UNIT	CODE NUMBER
X.XXX	±0.10	X.XXX°	±1°	DRAW: 绘图:	WANG	2011-06-22	5:1	mm	A008

修订 REV	标记 MARK	修改摘要 REVISION DESCRIPTION	签名 SIGNATURE	日期 DATE
AO		NEW RELEASE	WANG	2011-06-22

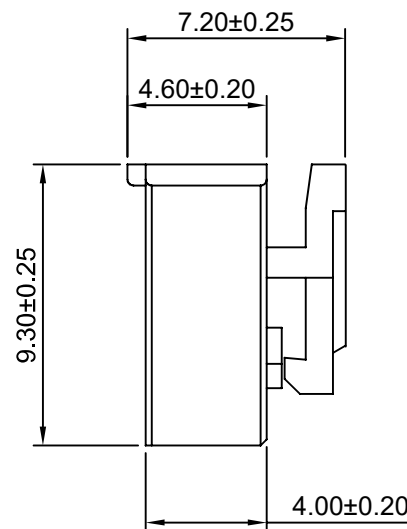
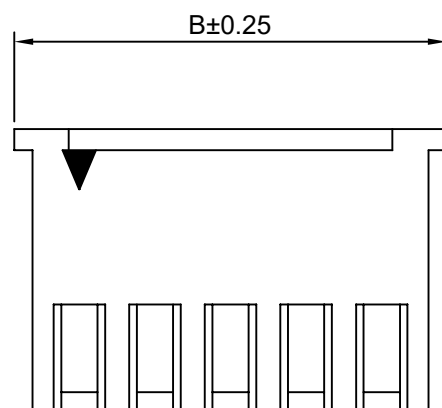


SPECIFICATIONS:

Current Rating: 3A AC,DC
Voltage Rating: 500V AC,DC
Temperature Range: -25°C ~ +85°C
Contact Resistance: 20mΩ Max
Insulation Resistance: 500MΩ Min
Withstanding Voltage: 1000V AC/minute
Material: Nylon66, UL94V-0 (White)

Ordering Information & Dimensions

Circuits	Dimensions(mm)			Circuits	Dimensions(mm)		
	A	B	C		A	B	C
2P	2.50	6.80	5.00	10P	22.50	26.80	20.00
3P	5.00	9.30	5.00	11P	25.00	29.30	20.00
4P	7.50	11.80	5.00	12P	27.50	31.80	22.50
5P	10.00	14.30	7.50	13P	30.00	34.30	22.50
6P	12.50	16.80	10.00	14P	32.50	36.80	25.00
7P	15.00	19.30	12.50	15P	35.00	39.30	27.50
8P	17.50	21.80	15.00	16P	37.50	41.80	30.00
9P	20.00	24.30	17.50				



深圳市华德共创科技有限公司

Shenzhen Huade co-create Technology Co.,LTD

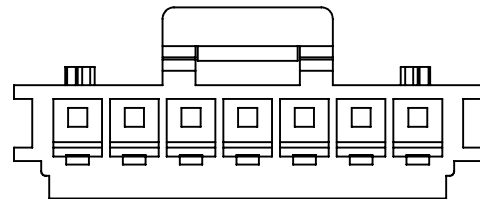
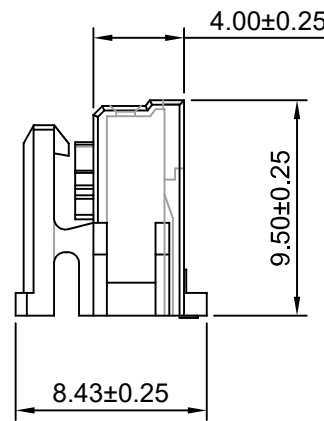
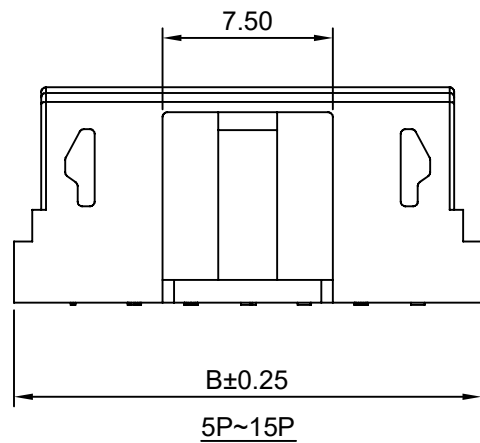
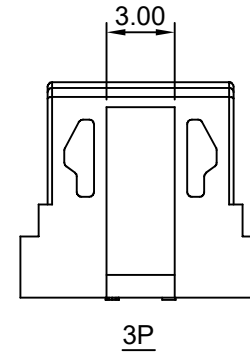
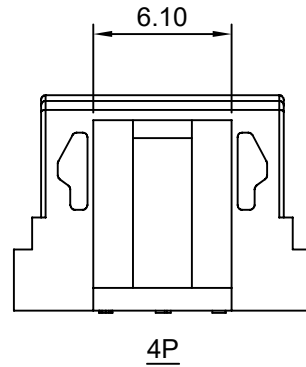
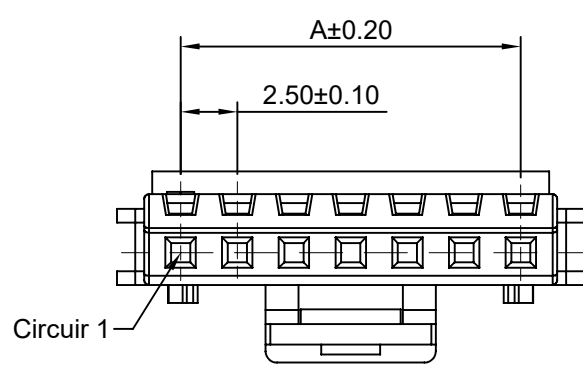
TEL : 0755-27129737 FAX : 0755-29940187

-TOLERANCES- UNLESS OTHERWISE SPECIFIED 公差参数表						TITLE: 产品名称 : 2.50mm Pitch Housing			
X.X	±0.30	X.X°	±3°	APPD: 核准:	XIE	PART NO: 产品编号 : HDGC2512H-XP			
X.XX	±0.30	X.XX°	±2°	CHECK: 校对:	WANG	DATE	SCALE	UNIT	CODE NUMBER
X.XXX	±0.10	X.XXX°	±1°	DRAW: 绘图:	WANG	2011-06-22	4:1	mm	A008

修订 REV	标记 MARK	修改摘要 REVISION DESCRIPTION	签名 SIGNATURE	日期 DATE
AO		NEW RELEASE	WANG	2016-09-20

Ordering Information:
 HDGC2512HA-XP - ** - **
 1 2 3

- Part No.
- Color:
 (Blank):White
 RD:Red
 YL:Yellow
 BL:Blue
 BK:Black
 GN:Green
- Material:
 (Blank):Nylon 66,UL94V-0
 GWT:Nylon 66,UL94V-0,GWT 750°C



SPECIFICATIONS:

Current Rating: 3A AC,DC
 Voltage Rating: 500V AC,DC
 Temperature Range: -25°C ~ +85°C
 Contact Resistance: 20mΩ Max
 Insulation Resistance: 500MΩ Min
 Withstanding Voltage: 1000V AC/minute
 Material: Nylon66, UL94V-0 (White)

Ordering Information & Dimensions

Circuits	Dimensions(mm)		Circuits	Dimensions(mm)	
	A	B		A	B
3P	5.00	10.60	10P	22.50	28.10
4P	7.50	13.10	11P	25.00	30.60
5P	10.00	15.60	12P	27.50	33.10
6P	12.50	18.10	13P	30.00	35.60
7P	15.00	20.60	14P	32.50	38.10
8P	17.50	23.10	15P	35.00	40.60
9P	20.00	25.60			



深圳市华德共创科技有限公司

Shenzhen Huade co-create Technology Co.,LTD

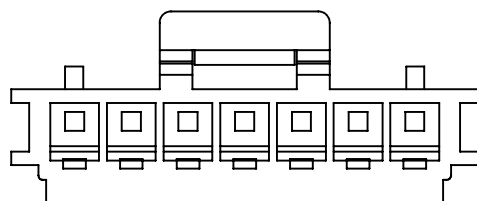
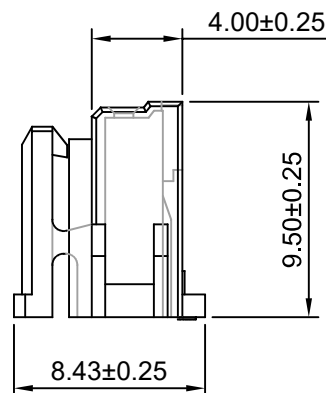
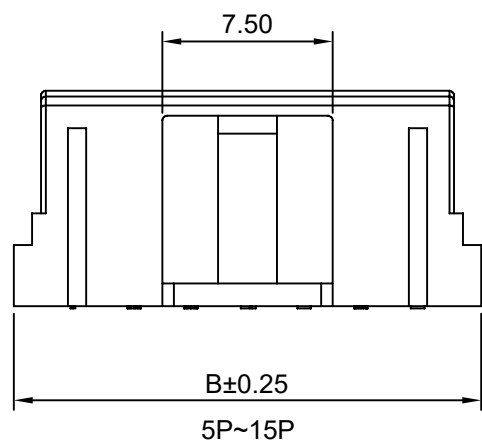
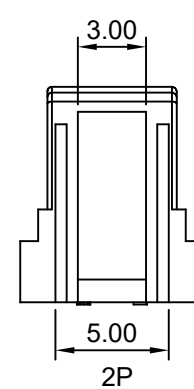
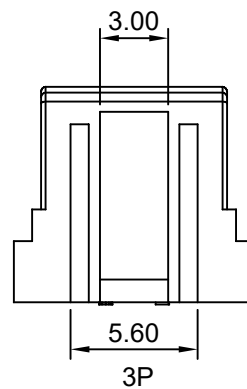
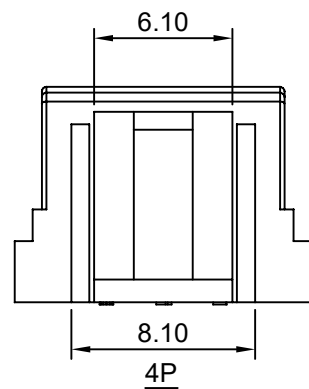
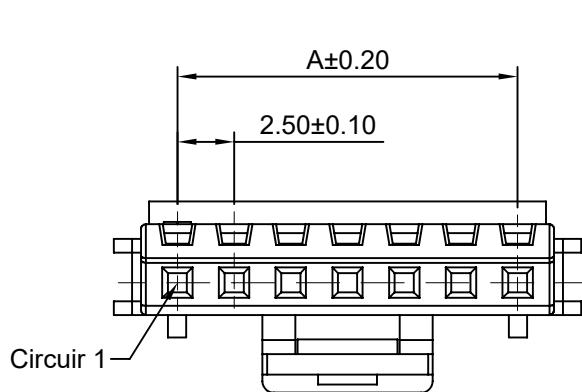
TEL : 0755-27129737 FAX : 0755-29940187

-TOLERANCES- UNLESS OTHERWISE SPECIFIED 公差参数表						TITLE: 产品名称 : 2.50mm Pitch Housing			
X.X	±0.30	X.X°	±3°	APPD: 核准:	XIE	PART NO: 产品编号 : HDGC2512HA-XP			
X.XX	±0.30	X.XX°	±2°	CHECK: 校对:	WANG	DATE	SCALE	UNIT	CODE NUMBER
X.XXX	±0.10	X.XXX°	±1°	DRAW: 绘图:	WANG	2016-09-20	3:1	mm	A008

修订 REV	标记 MARK	修改摘要 REVISION DESCRIPTION	签名 SIGNATURE	日期 DATE
A0		NEW RELEASE	WANG	2016-09-20

Ordering Information:
 HDGC2512HB-XP - ** - **
 1 2 3

- Part No.
- Color:
 (Blank):White
 RD:Red
 YL:Yellow
 BL:Blue
 BK:Black
 GN:Green
- Material:
 (Blank):Nylon 66,UL94V-0
 GWT:Nylon 66,UL94V-0,GWT 750°C



SPECIFICATIONS:

Current Rating: 3A AC,DC
 Voltage Rating: 500V AC,DC
 Temperature Range: -25°C ~ +85°C
 Contact Resistance: 20mΩ Max
 Insulation Resistance: 500MΩ Min
 Withstanding Voltage: 1000V AC/minute
 Material: Nylon66, UL94V-0 (White)

Ordering Information & Dimensions

Circuits	Dimensions(mm)		Circuits	Dimensions(mm)	
	A	B		A	B
2P	2.50	8.10	9P	20.00	25.60
3P	5.00	10.60	10P	22.50	28.10
4P	7.50	13.10	11P	25.00	30.60
5P	10.00	15.60	12P	27.50	33.10
6P	12.50	18.10	13P	30.00	35.60
7P	15.00	20.60	14P	32.50	38.10
8P	17.50	23.10	15P	35.00	40.60



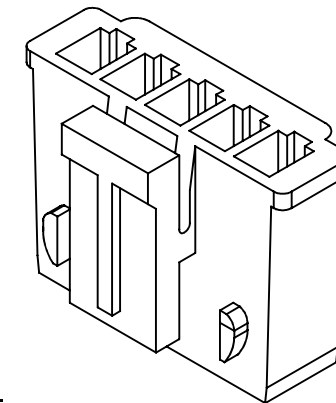
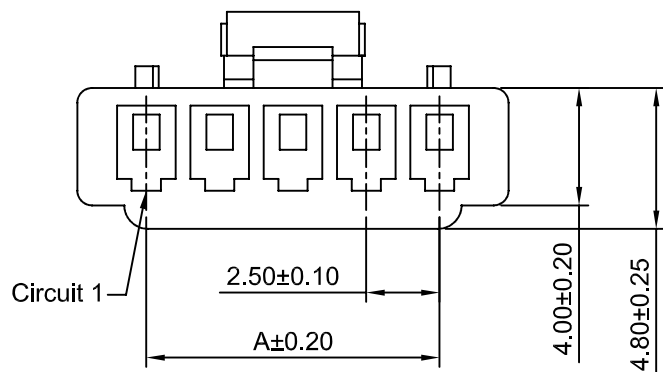
深圳市华德共创科技有限公司

Shenzhen Huade co-create Technology Co.,LTD

TEL : 0755-27129737 FAX : 0755-29940187

-TOLERANCES- UNLESS OTHERWISE SPECIFIED 公差参数表						TITLE: 产品名称 : 2.50mm Pitch Housing			
X.X	±0.30	X.X°	±3°	APPD: 核准:	XIE	PART NO: 产品编号 : HDGC2512HB-XP			
X.XX	±0.30	X.XX°	±2°	CHECK: 校对:	WANG	DATE	SCALE	UNIT	CODE NUMBER
X.XXX	±0.10	X.XXX°	±1°	DRAW: 绘图:	WANG	2016-09-20	3:1	mm	A008

修订 REV	标记 MARK	修改摘要 REVISION DESCRIPTION	签名 SIGNATURE	日期 DATE
AO		NEW RELEASE	WANG	2011-06-22

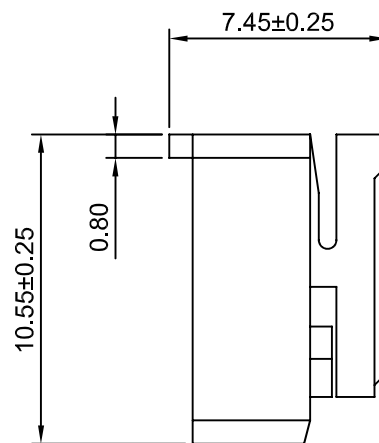
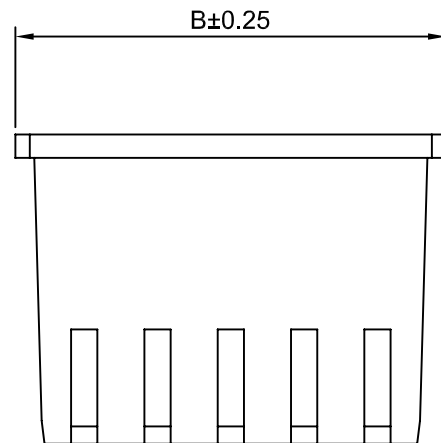


SPECIFICATIONS:

Current Rating: 3A AC,DC
Voltage Rating: 500V AC,DC
Temperature Range: -25°C ~ +85°C
Contact Resistance: 20mΩ Max
Insulation Resistance: 500MΩ Min
Withstanding Voltage: 1000V AC/minute
Material: Nylon 66,UL94V-0(White)

Ordering Information & Dimensions

Circuits	Dimensions(mm)		Circuits	Dimensions(mm)	
	A	B		A	B
2P	2.50	7.20	9P	20.00	24.70
3P	5.00	9.70	10P	22.50	27.20
4P	7.50	12.20	11P	25.00	29.70
5P	10.00	14.70	12P	27.50	32.20
6P	12.50	17.20	13P	30.00	34.70
7P	15.00	19.70	14P	32.50	37.20
8P	17.50	22.20	15P	35.00	39.70

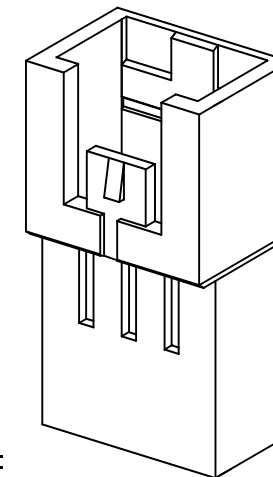
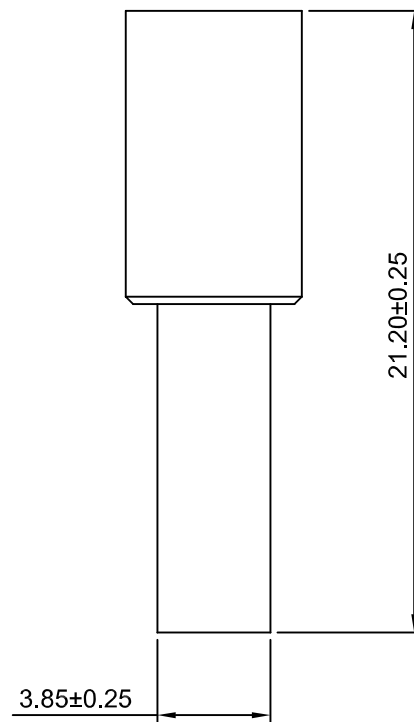
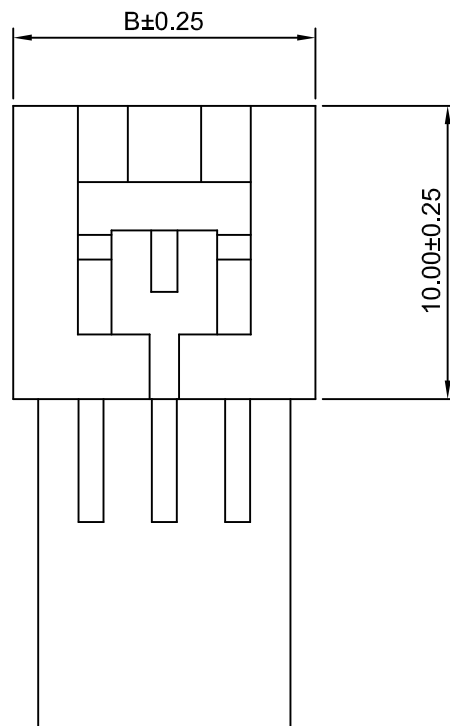
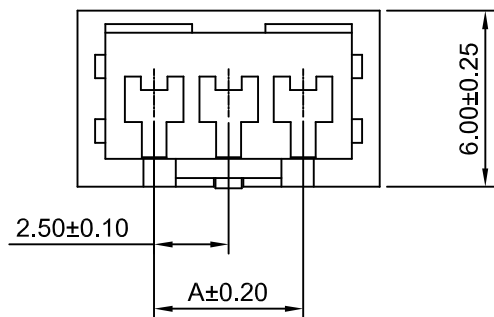


深圳市华德共创科技有限公司

Shenzhen Huade co-create Technology Co.,LTD
TEL : 0755-27129737 FAX : 0755-29940187

-TOLERANCES- UNLESS OTHERWISE SPECIFIED 公差参数表						TITLE: 产品名称 : 2.50mm Pitch Housing			
X.X	±0.30	X.X°	±3°	APPD: 核准:	XIE	PART NO: 产品编号 : HDGC2512HF-XP			
X.XX	±0.30	X.XX°	±2°	CHECK: 校对:	WANG	DATE	SCALE	UNIT	CODE NUMBER
X.XXX	±0.10	X.XXX°	±1°	DRAW: 绘图:	WANG	2011-06-22	4:1	mm	A008

修订 REV	标记 MARK	修改摘要 REVISION DESCRIPTION	签名 SIGNATURE	日期 DATE
AO		NEW RELEASE	WANG	2011-06-22



SPECIFICATIONS:

Current Rating: 3A AC,DC
Voltage Rating: 500V AC,DC
Temperature Range: -25°C ~ +85°C
Contact Resistance: 20mΩ Max
Insulation Resistance: 500MΩ Min
Withstanding Voltage: 1000V AC/minute
Material: Nylon 66,UL94V-0(White)

Ordering Information & Dimensions

Circuits	Dimensions(mm)		Circuits	Dimensions(mm)	
	A	B		A	B
2P	2.50	7.88	9P	20.00	25.38
3P	5.00	10.38	10P	22.50	27.88
4P	7.50	12.88	11P	25.00	30.38
5P	10.00	15.38	12P	27.50	32.88
6P	12.50	17.88	13P	30.00	35.38
7P	15.00	20.38	14P	32.50	37.88
8P	17.50	22.88	15P	35.00	40.38



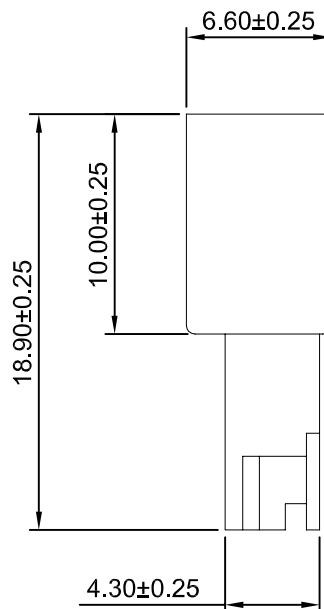
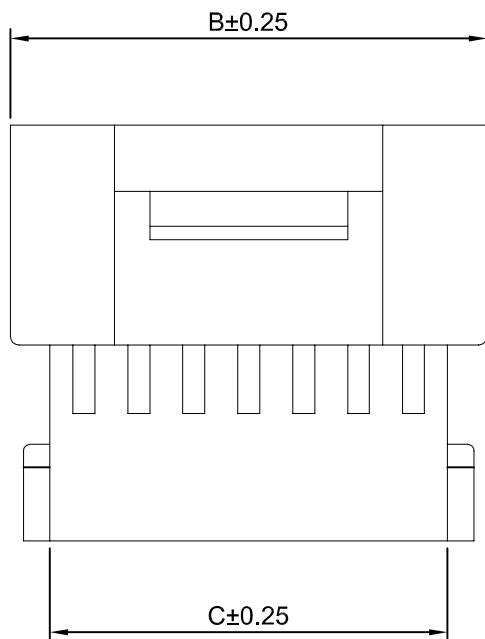
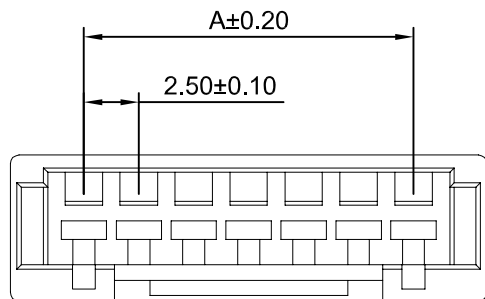
深圳市华德共创科技有限公司

Shenzhen Huade co-create Technology Co.,LTD

TEL : 0755-27129737 FAX : 0755-29940187

-TOLERANCES- UNLESS OTHERWISE SPECIFIED 公差参数表						TITLE: 产品名称 : 2.50mm Pitch Housing			
X.X	±0.30	X.X°	±3°	APPD: 核准:	XIE	PART NO: 产品编号 : HDGC2512HM-XP			
X.XX	±0.30	X.XX°	±2°	CHECK: 校对:	WANG	DATE	SCALE	UNIT	CODE NUMBER
X.XXX	±0.10	X.XXX°	±1°	DRAW: 绘图:	WANG	2011-06-22	4:1	mm	A008

修订 REV	标记 MARK	修改摘要 REVISION DESCRIPTION	签名 SIGNATURE	日期 DATE
AO		NEW RELEASE	WANG	2017-10-27



SPECIFICATIONS:

Current Rating: 3A AC,DC
Voltage Rating: 500V AC,DC
Temperature Range: $-25^{\circ}\text{C} \sim +85^{\circ}\text{C}$
Contact Resistance: 20mΩ Max
Insulation Resistance: 500MΩ Min
Withstanding Voltage: 1000V AC/minute
Material: Nylon 66,UL94V-0(White)

Ordering Information & Dimensions

Circuits	Dimensions(mm)			Circuits	Dimensions(mm)		
	A	B	C		A	B	C
2P	2.50	9.20	5.60	9P	20.00	26.70	23.10
3P	5.00	11.70	8.10	10P	22.50	29.20	25.60
4P	7.50	14.20	10.60	11P	25.00	31.70	28.10
5P	10.00	16.70	13.10	12P	27.50	34.20	30.60
6P	12.50	19.20	15.60	13P	30.00	36.70	33.10
7P	15.00	21.70	18.10	14P	32.50	39.20	35.60
8P	17.50	24.20	20.60	15P	35.00	41.70	38.10



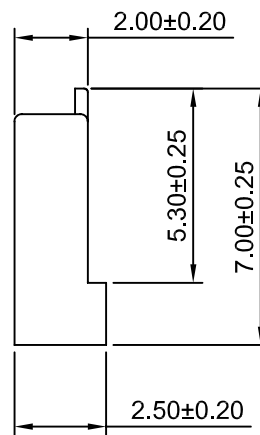
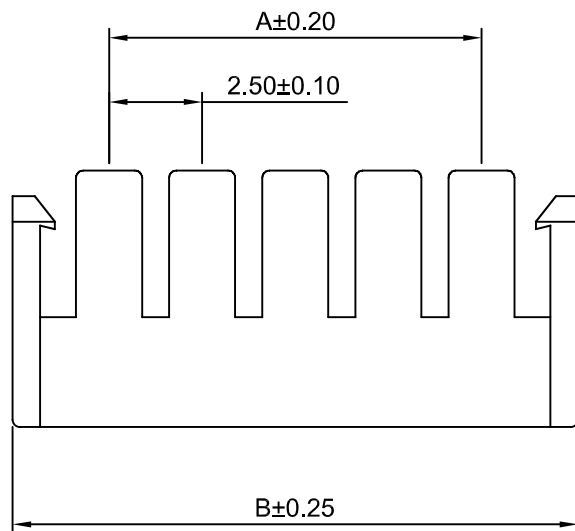
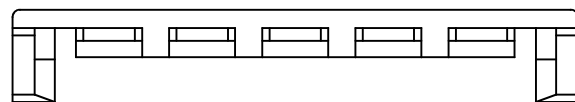
深圳市华德共创科技有限公司

Shenzhen Huade co-create Technology Co.,LTD

TEL : 0755-27129737 FAX : 0755-29940187

-TOLERANCES- UNLESS OTHERWISE SPECIFIED 公差参数表						TITLE: 产品名称 : 2.50mm Pitch Housing			
X.X	±0.30	X.X°	±3°	APPD: 核准:	XIE	PART NO: 产品编号 : HDGC2512HMA-XP			
X.XX	±0.30	X.XX°	±2°	CHECK: 校对:	WANG	DATE	SCALE	UNIT	CODE NUMBER
X.XXX	±0.10	X.XXX°	±1°	DRAW: 绘图:	WANG	2017-10-27	3:1	mm	A008

修订 REV	标记 MARK	修改摘要 REVISION DESCRIPTION	签名 SIGNATURE	日期 DATE
AO		NEW RELEASE	WANG	2016-09-20



SPECIFICATIONS:

Current Rating: 3A AC,DC
Voltage Rating: 500V AC,DC
Temperature Range: -25°C ~ +85°C
Contact Resistance: 20mΩ Max.
Insulation Resistance: 500MΩ Min.
Withstanding Voltage: 1000V AC/minute
Material: Nylon66 UL94V-0(Red)

Ordering Information & Dimensions

Circuits	Dimensions(mm)		Circuits	Dimensions(mm)	
	A	B		A	B
2P	2.50	7.80	9P	20.00	25.30
3P	5.00	10.30	10P	22.50	27.80
4P	7.50	12.80	11P	25.00	30.30
5P	10.00	15.30	12P	27.50	32.80
6P	12.50	17.80	13P	30.00	35.30
7P	15.00	20.30	14P	32.50	37.80
8P	17.50	22.80	15P	35.00	40.30



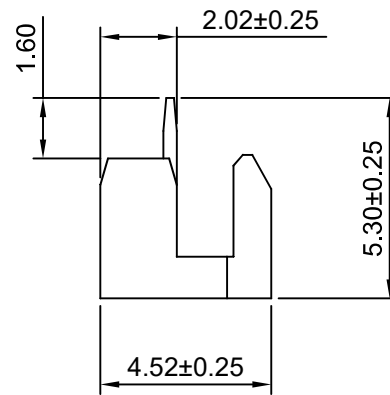
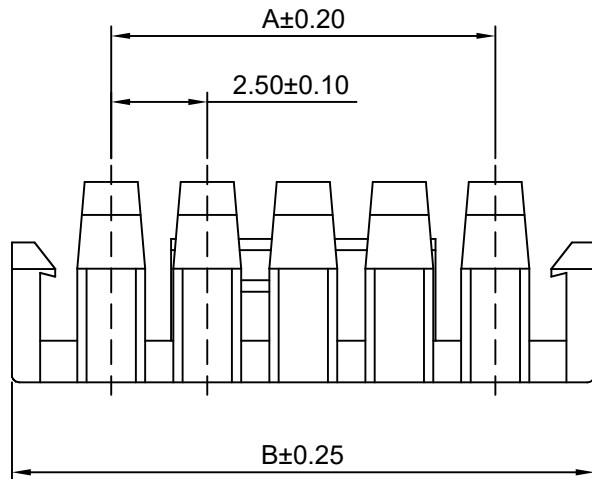
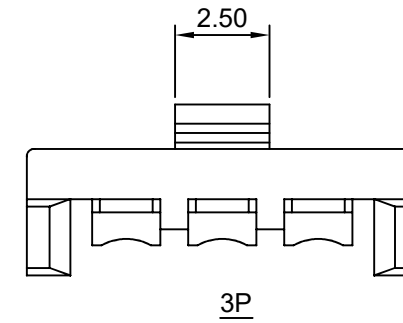
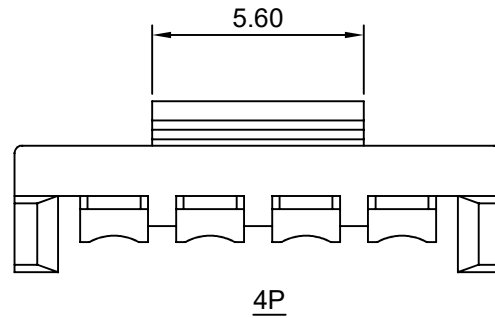
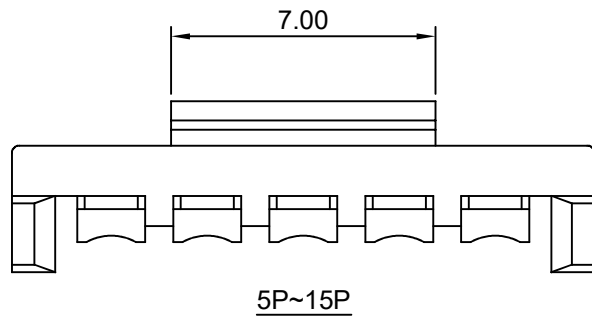
深圳市华德共创科技有限公司

Shenzhen Huade co-create Technology Co.,LTD

TEL : 0755-27129737 FAX : 0755-29940187

-TOLERANCES- UNLESS OTHERWISE SPECIFIED 公差参数表						TITLE: 产品名称 : 2.50mm Pitch Seal			
X.X	±0.30	X.X°	±3°	APPD: 核准:	XIE	PART NO: 产品编号 : HDGC2512SA-XP			
X.XX	±0.30	X.XX°	±2°	CHECK: 校对:	WANG	DATE	SCALE	UNIT	CODE NUMBER
X.XXX	±0.10	X.XXX°	±1°	DRAW: 绘图:	WANG	2016-09-20	5:1	mm	A008

修订 REV	标记 MARK	修改摘要 REVISION DESCRIPTION	签名 SIGNATURE	日期 DATE
AO		NEW RELEASE	WANG	2016-09-20

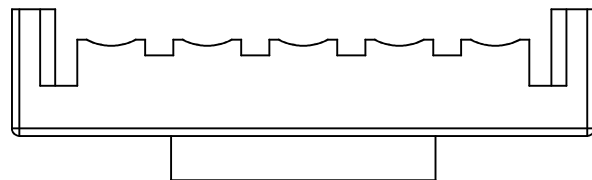


SPECIFICATIONS:

Current Rating: 3A AC,DC
Voltage Rating: 500V AC,DC
Temperature Range: -25°C ~ +85°C
Contact Resistance: 20mΩ Max.
Insulation Resistance: 500MΩ Min.
Withstanding Voltage: 1000V AC/minute
Material: Nylon66 UL94V-0(Red)

Ordering Information & Dimensions

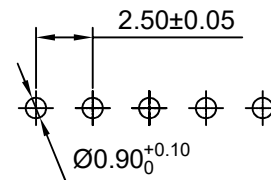
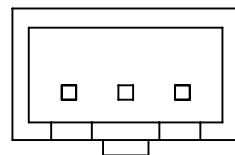
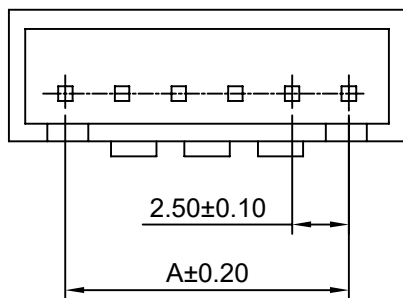
Circuits	Dimensions(mm)		Circuits	Dimensions(mm)	
	A	B		A	B
3P	5.00	10.50	10P	22.50	28.00
4P	7.50	13.00	11P	25.00	30.50
5P	10.00	15.50	12P	27.50	33.00
6P	12.50	18.00	13P	30.00	35.50
7P	15.00	20.50	14P	32.50	38.00
8P	17.50	23.00	15P	35.00	40.50
9P	20.00	25.50			



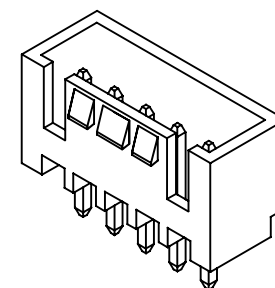
HDGC 深圳市华德共创科技有限公司
Shenzhen Huade co-create Technology Co.,LTD
TEL : 0755-27129737 FAX : 0755-29940187

-TOLERANCES- UNLESS OTHERWISE SPECIFIED 公差参数表						TITLE: 产品名称: 2.50mm Pitch Seal			
X.X	±0.30	X.X°	±3°	APPD: 核准:	XIE	PART NO: 产品编号: HDGC2512SB-XP			
X.XX	±0.30	X.XX°	±2°	CHECK: 校对:	WANG	DATE	SCALE	UNIT	CODE NUMBER
X.XXX	±0.10	X.XXX°	±1°	DRAW: 绘图:	WANG	2016-09-20	5:1	mm	A008

修订 REV	标记 MARK	修改摘要 REVISION DESCRIPTION	签名 SIGNATURE	日期 DATE
AO		NEW RELEASE	WANG	2011-06-22



P.C.B LAYOUT

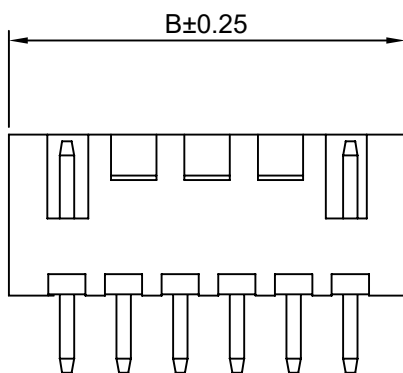


SPECIFICATIONS:

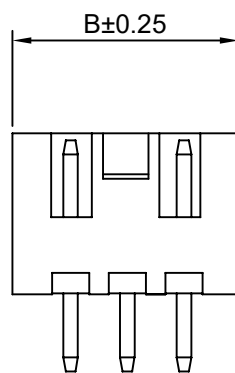
Current Rating: 3A AC,DC
Voltage Rating: 500V AC,DC
Temperature Range: -25°C ~ +85°C
Contact Resistance: 20mΩ Max
Insulation Resistance: 500MΩ Min
Withstanding Voltage: 1000V AC/minute
Pin Material: Brass/Tin over Nickel
Material: Nylon 66,UL94V-0(White)

Ordering Information & Dimensions

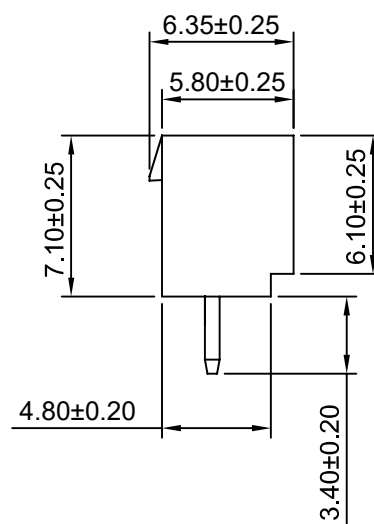
Circuits	Dimensions(mm)		Circuits	Dimensions(mm)	
	A	B		A	B
2P	2.50	7.50	10P	22.50	27.50
3P	5.00	10.00	11P	25.00	30.00
4P	7.50	12.50	12P	27.50	32.50
5P	10.00	15.00	13P	30.00	35.00
6P	12.50	17.50	14P	32.50	37.50
7P	15.00	20.00	15P	35.00	40.00
8P	17.50	22.50	16P	37.50	42.50
9P	20.00	25.00			



5~16P



2~4P



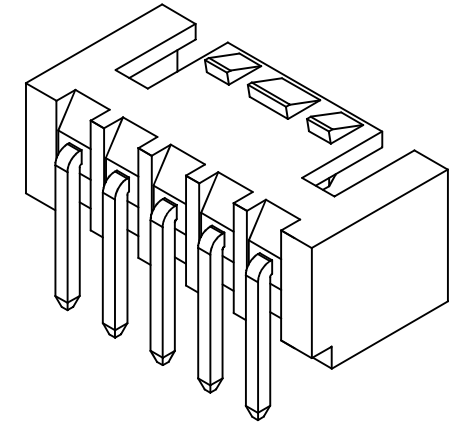
深圳市华德共创科技有限公司

Shenzhen Huade co-create Technology Co.,LTD

TEL : 0755-27129737 FAX : 0755-29940187

-TOLERANCES- UNLESS OTHERWISE SPECIFIED 公差参数表						TITLE: 2.50mm Pitch 产品名称: 180° Wafer			
X.X	±0.30	X.X°	±3°	APPD: 核准:	XIE	PART NO: 产品编号: HDGC2512WV-XP			
X.XX	±0.30	X.XX°	±2°	CHECK: 校对:	WANG	DATE	SCALE	UNIT	CODE NUMBER
X.XXX	±0.10	X.XXX°	±1°	DRAW: 绘图:	WANG	2011-06-22	3:1	mm	A008

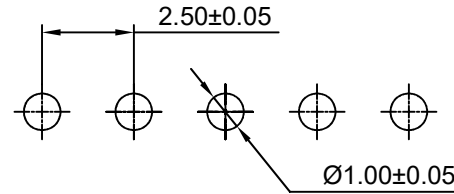
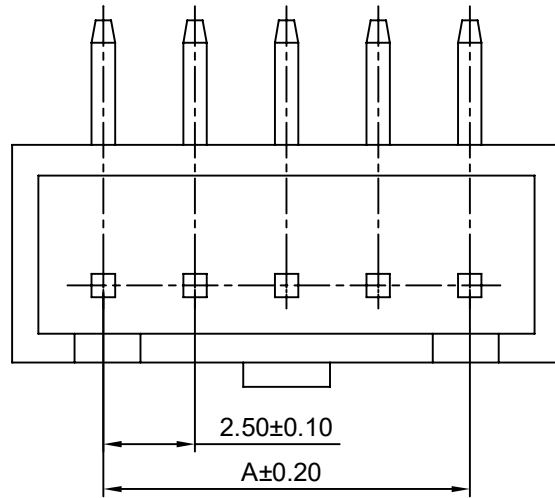
修订 REV	标记 MARK	修改摘要 REVISION DESCRIPTION	签名 SIGNATURE	日期 DATE
AO		NEW RELEASE	WANG	2011-06-22



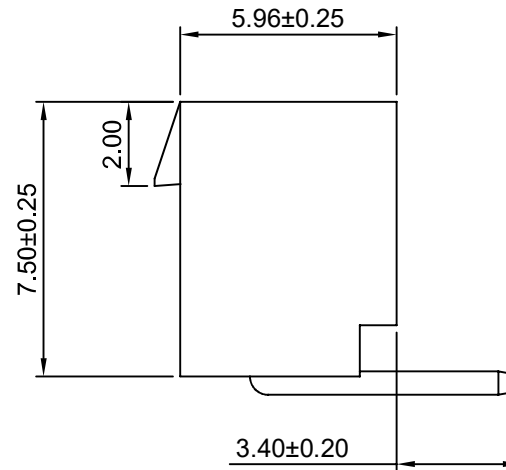
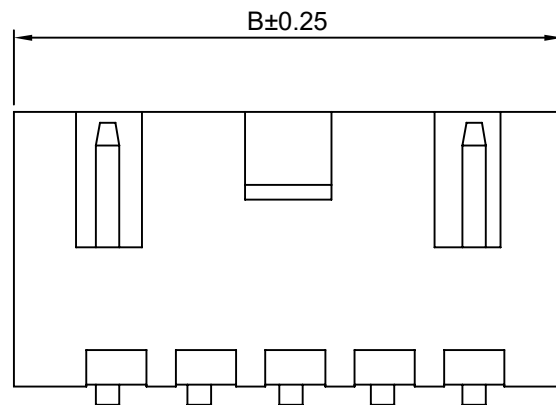
Ordering Information & Dimensions

Circuits	Dimensions	
	A	B
2P	2.50	7.48
3P	5.00	9.98
4P	7.50	12.48
5P	10.00	14.98
6P	12.50	17.48
7P	15.00	19.98
8P	17.50	22.48
9P	20.00	24.98
10P	22.50	27.48
11P	25.00	29.98
12P	27.50	32.48
13P	30.00	34.98
14P	32.50	37.48
15P	35.00	39.98

Unit: mm



P.C.B LAYOUT



SPECIFICATIONS:

Current Rating: 3A AC,DC
Voltage Rating: 500V AC,DC
Temperature Range: -25°C ~ +85°C
Contact Resistance: 20mΩ Max
Insulation Resistance: 500MΩ Min
Withstanding Voltage: 1000V AC/minute
Pin Material: Brass/Tin-plated
Material: PBT,UL94V-0

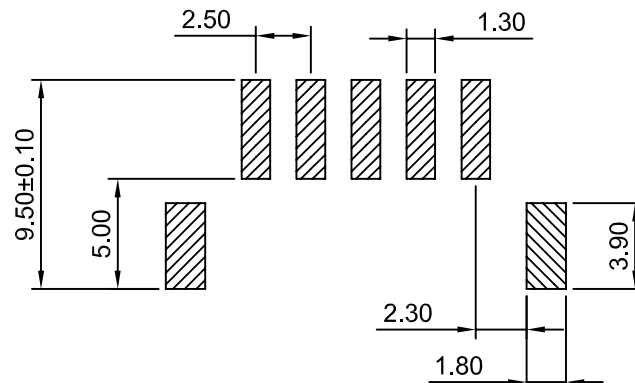
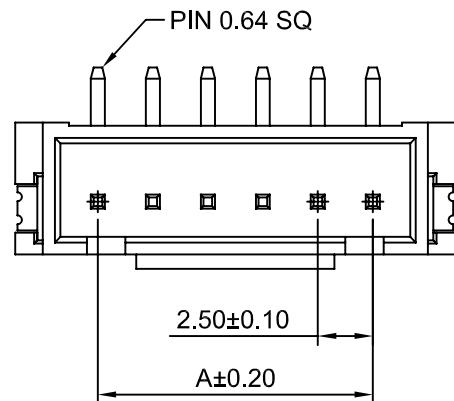


深圳市华德共创科技有限公司

Shenzhen Huade co-create Technology Co.,LTD
TEL : 0755-27129737 FAX : 0755-29940187

-TOLERANCES- UNLESS OTHERWISE SPECIFIED 公差参数表						TITLE: 2.50mm Pitch 产品名称: 90° Wafer			
X.X	±0.30	X.X°	±3°	APPD: 核准:	XIE	PART NO: 产品编号: HDGC2512WR-XP			
X.XX	±0.30	X.XX°	±2°	CHECK: 校对:	WANG	DATE	SCALE	UNIT	CODE NUMBER
X.XXX	±0.10	X.XXX°	±1°	DRAW: 绘图:	WANG	2011-06-22	1:1	mm	A008

修订 REV	标记 MARK	修改摘要 REVISION DESCRIPTION	签名 SIGNATURE	日期 DATE
AO		NEW RELEASE	WANG	2011-06-22



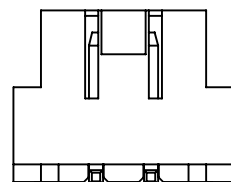
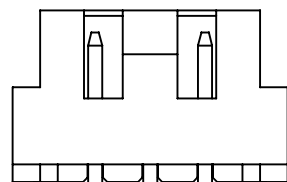
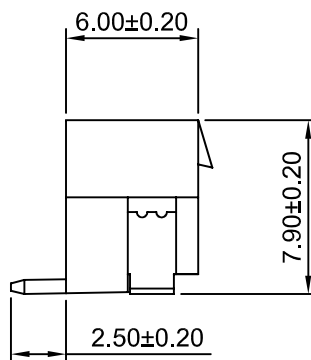
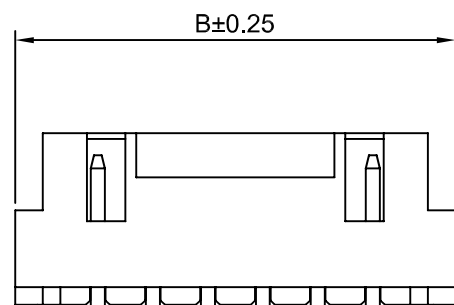
P.C.B LAYOUT

SPECIFICATIONS:

Current Rating: 3A AC,DC
Voltage Rating: 500V AC,DC
Temperature Range: -25°C ~ +85°C
Contact Resistance: 20mΩ Max
Insulation Resistance: 500MΩ Min
Withstanding Voltage: 1000V AC/minute
Pin Material: Phosphor bronze/Tin over Nickel
Material: LCP,UL94V-0 (Ivory)

Ordering Information & Dimensions

Circuits	Dimensions(mm)		Circuits	Dimensions(mm)	
	A	B		A	B
2P	2.50	10.00	10P	22.50	30.00
3P	5.00	12.50	11P	25.00	32.50
4P	7.50	15.00	12P	27.50	35.00
5P	10.00	17.50	13P	30.00	37.50
6P	12.50	20.00	14P	32.50	40.00
7P	15.00	22.50	15P	35.00	42.50
8P	17.50	25.00	16P	37.50	45.00
9P	20.00	27.50			



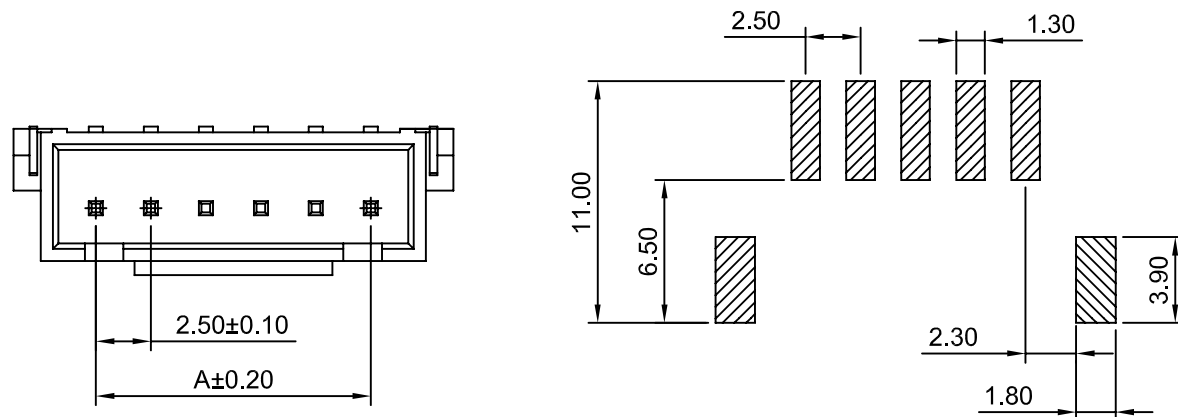
深圳市华德共创科技有限公司

Shenzhen Huade co-create Technology Co.,LTD

TEL : 0755-27129737 FAX : 0755-29940187

-TOLERANCES- UNLESS OTHERWISE SPECIFIED 公差参数表						TITLE: 2.50mm Pitch 产品名称: 180° Wafer			
X.X	±0.30	X.X°	±3°	APPD: 核准:	XIE	PART NO: 产品编号: HDGC2512WV-S-XP			
X.XX	±0.30	X.XX°	±2°	CHECK: 校对:	WANG	DATE	SCALE	UNIT	CODE NUMBER
X.XXX	±0.10	X.XXX°	±1°	DRAW: 绘图:	WANG	2011-06-22	3:1	mm	A008

修订 REV	标记 MARK	修改摘要 REVISION DESCRIPTION	签名 SIGNATURE	日期 DATE
AO		NEW RELEASE	WANG	2011-06-22



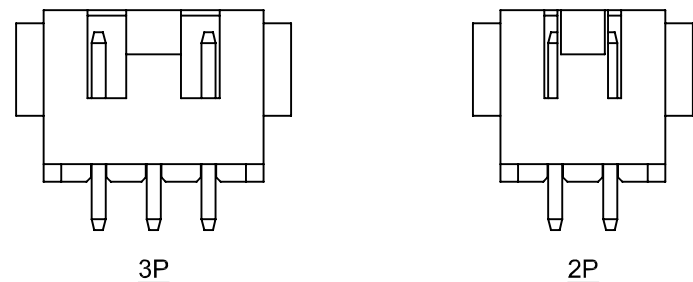
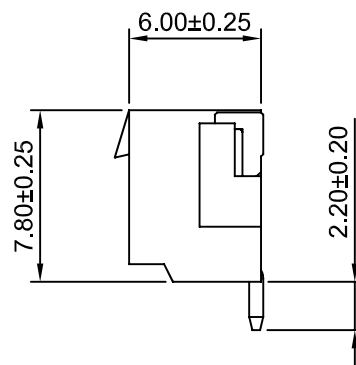
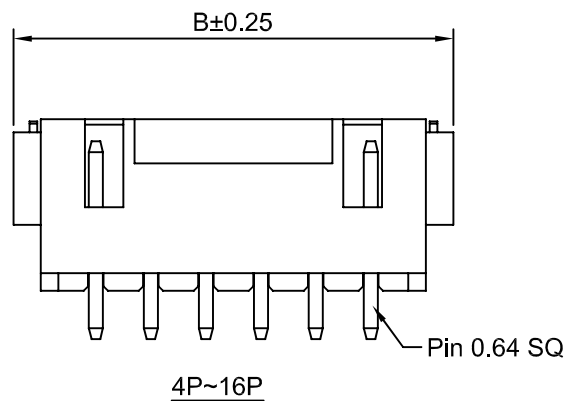
P.C.B LAYOUT

SPECIFICATIONS:

Current Rating: 3A AC,DC
Voltage Rating: 500V AC,DC
Temperature Range: -25°C ~ +85°C
Contact Resistance: 20mΩ Max
Insulation Resistance: 500MΩ Min
Withstanding Voltage: 1000V AC/minute
Pin Material: Phosphor bronze/Tin over Nickel
Material: LCP,UL94V-0 (Ivory)

Ordering Information & Dimensions

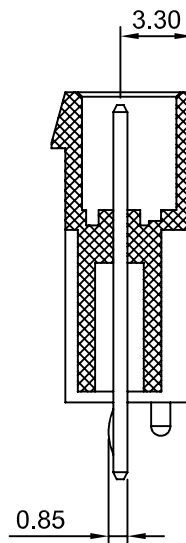
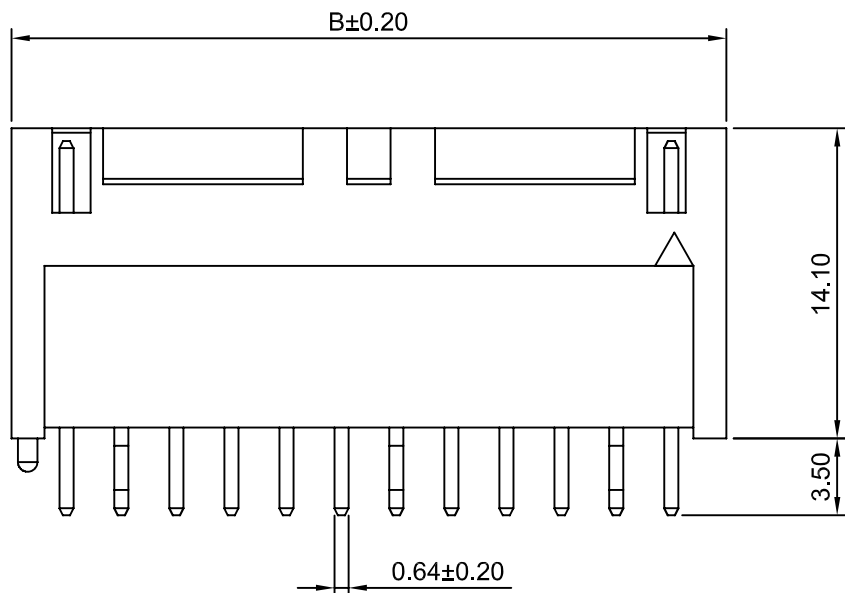
Circuits	Dimensions(mm)		Circuits	Dimensions(mm)	
	A	B		A	B
2P	2.50	10.00	10P	22.50	30.00
3P	5.00	12.50	11P	25.00	32.50
4P	7.50	15.00	12P	27.50	35.00
5P	10.00	17.50	13P	30.00	37.50
6P	12.50	20.00	14P	32.50	40.00
7P	15.00	22.50	15P	35.00	42.50
8P	17.50	25.00	16P	37.50	45.00
9P	20.00	27.50			



深圳市华德共创科技有限公司
Shenzhen Huade co-create Technology Co.,LTD
TEL : 0755-27129737 FAX : 0755-29940187

-TOLERANCES- UNLESS OTHERWISE SPECIFIED 公差参数表			TITLE: 2.50mm Pitch 产品名称: 90° Wafer						
X.X	±0.30	X.X°	±3°	APPD: 核准:	XIE			PART NO: 产品编号: HDGC2512WR-S-XP	
X.XX	±0.30	X.XX°	±2°	CHECK: 校对:	WANG	DATE	SCALE	UNIT	CODE NUMBER
X.XXX	±0.10	X.XXX°	±1°	DRAW: 绘图:	WANG	2011-06-22	3:1	mm	A008

修订 REV	标记 MARK	修改摘要 REVISION DESCRIPTION	签名 SIGNATURE	日期 DATE
AO		NEW RELEASE	WANG	2011-06-22

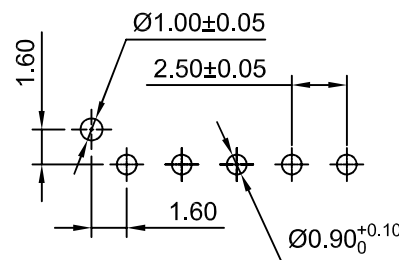
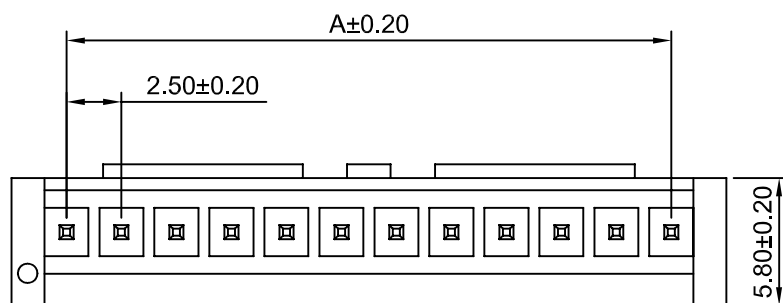


SPECIFICATIONS:

Current Rating: 1A AC,DC
Voltage Rating: 200V AC,DC
Temperature Range: $-25^{\circ}\text{C} \sim +85^{\circ}\text{C}$
Contact Resistance: 20m Ω Max.
Insulation Resistance: 100M Ω Min.
Withstanding Voltage: 500V AC/minute
Pin Material: Brass/Tin-Flash
Material: PA66 UL94V-0(White)

Ordering Information & Dimensions

Circuits	Dimensions(mm)		Circuits	Dimensions(mm)	
	A	B		A	B
2P	2.50	7.50	8P	17.50	22.50
3P	5.00	10.00	9P	20.00	25.00
4P	7.50	12.50	10P	22.50	27.50
5P	10.00	15.00	11P	25.00	30.00
6P	12.50	17.50	12P	27.50	32.50
7P	15.00	20.00			



P.C.B LAYOUT



深圳市华德共创科技有限公司

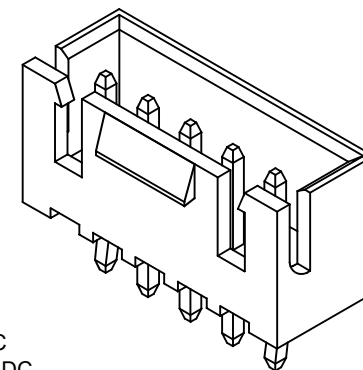
Shenzhen Huade co-create Technology Co.,LTD
TEL : 0755-27129737 FAX : 0755-29940187

-TOLERANCES- UNLESS OTHERWISE SPECIFIED 公差参数表		 	TITLE: 2.50mm Pitch 产品名称: 180° Wafer						
X.X	±0.30	X.X°	±3°	APPD: 核准:	XIE	PART NO: 产品编号: HDGC2512WV-F-XP-H			
X.XX	±0.30	X.XX°	±2°	CHECK: 校对:	WANG	DATE	SCALE	UNIT	CODE NUMBER
X.XXX	±0.10	X.XXX°	±1°	DRAW: 绘图:	WANG	2011-06-22	3:1	mm	A008

修订 REV	标记 MARK	修改摘要 REVISION DESCRIPTION	签名 SIGNATURE	日期 DATE
AO		NEW RELEASE	WANG	2016-05-06

Ordering Information:
 HDGC2512WVA-F-XP - ** - **
 1 2 3

- 1.Part No.
- 2.Style:
(Blank):Type 1
2:Type 2
- 3.Color:
(Blank):White
BL:Blue
BK:Black
RD:Red
YL:Yellow
GN:Green

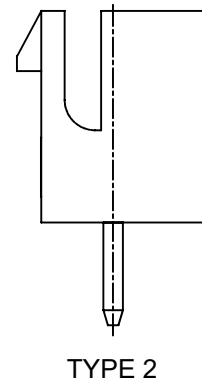
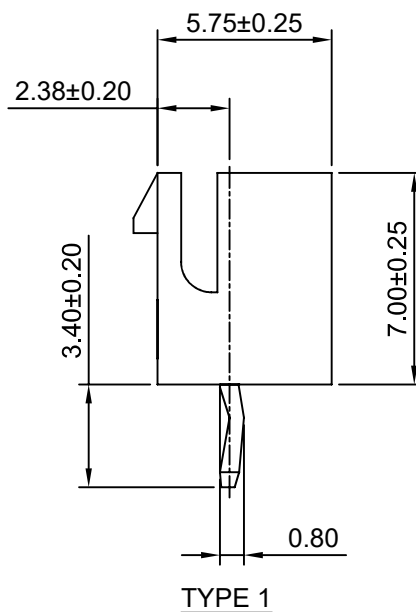
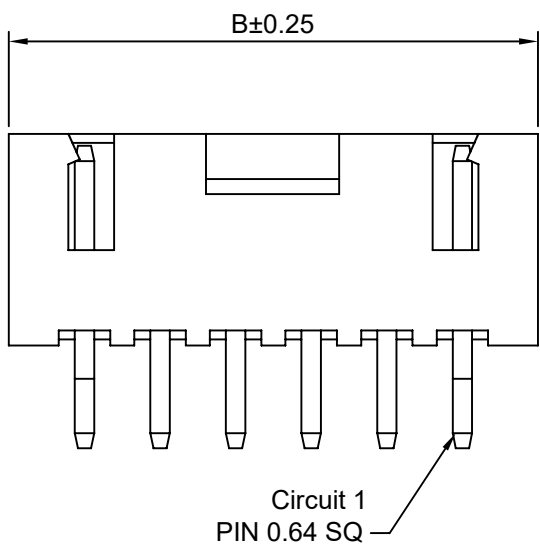
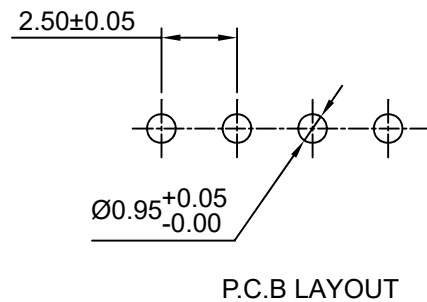
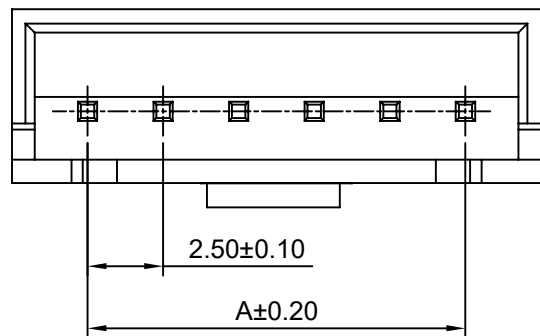


SPECIFICATIONS:

Current Rating: 3A AC,DC
 Voltage Rating: 250V AC,DC
 Temperature Range: -25°C ~ +85°C
 Contact Resistance: 10mΩ Max
 Insulation Resistance: 1000MΩ Min
 Withstanding Voltage: 1000V AC/minute
 Pin Material: Brass/Tin over Nickel
 Material: Nylon 66,UL94V-0(White)

Ordering Information & Dimensions

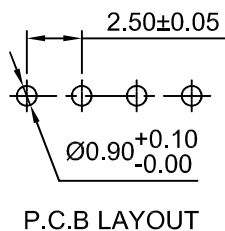
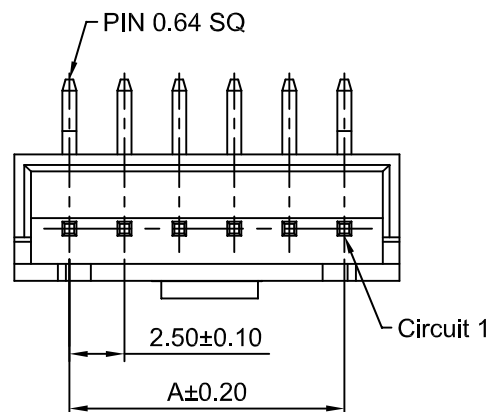
Circuits	Dimensions(mm)		Circuits	Dimensions(mm)	
	A	B		A	B
3P	5.00	10.00	12P	27.50	32.50
4P	7.50	12.50	13P	30.00	35.00
5P	10.00	15.50	14P	32.50	37.50
6P	12.50	17.50	15P	35.00	40.00
7P	15.50	20.00	16P	37.50	42.50
8P	17.50	22.50	17P	40.00	45.00
9P	20.00	25.00	18P	42.50	47.50
10P	22.50	27.50	19P	45.00	50.00
11P	25.00	30.00	20P	47.50	52.50



HDGC 深圳市华德共创科技有限公司
 Shenzhen Huade co-create Technology Co.,LTD
 TEL : 0755-27129737 FAX : 0755-29940187

-TOLERANCES- UNLESS OTHERWISE SPECIFIED 公差参数表				TITLE: 产品名称: 2.50mm Pitch 180° Wafer	
X.X	±0.30	X.X°	±3°	APPD: 核准:	XIE
X.XX	±0.30	X.XX°	±2°	CHECK: 校对:	WANG
X.XXX	±0.10	X.XXX°	±1°	DRAW: 绘图:	WANG
PART NO: 产品编号: HDGC2512WVA-XP		DATE	SCALE	UNIT	CODE NUMBER
		2016-05-06	4:1	mm	A008

修订 REV	标记 MARK	修改摘要 REVISION DESCRIPTION	签名 SIGNATURE	日期 DATE
AO		NEW RELEASE	WANG	2016-05-06



Ordering Information:
 HDGC2512WRA-XP - ** - **
 1 2 3

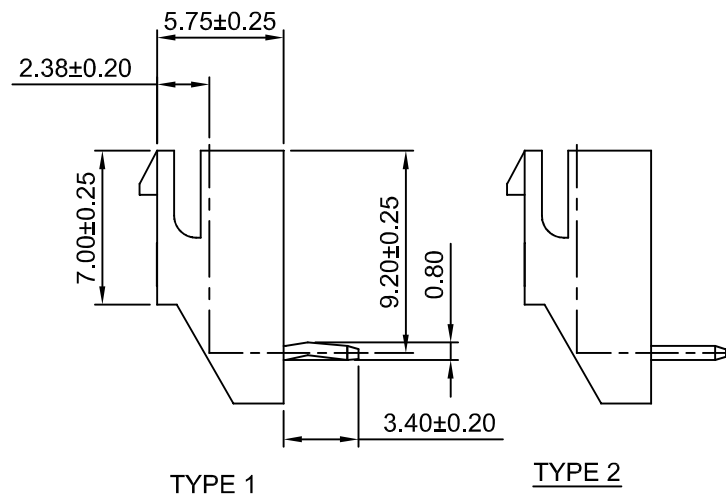
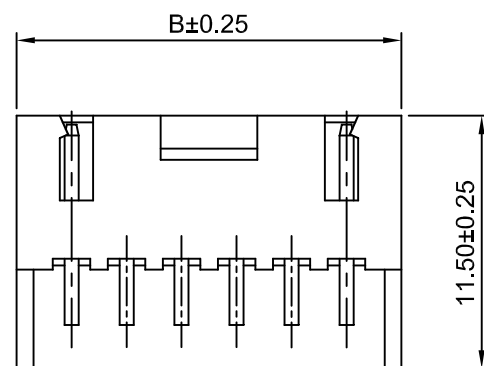
- Part No.
- Style:
 (blank)-Type 1
 2-Type 2
- Color:
 (Blank):White
 BL:Blue
 BK:Black
 RD:Red
 YL:Yellow
 GN:Green

SPECIFICATIONS:

Current Rating: 3A AC,DC
 Voltage Rating: 250V AC,DC
 Temperature Range: -25°C ~ +85°C
 Contact Resistance: 20mΩ Max
 Insulation Resistance: 500MΩ Min
 Withstanding Voltage: 1000V AC/minute
 Pin Material: Brass/Tin over Nickel
 Material: Nylon 66,UL94V-0(White)

Ordering Information & Dimensions

Circuits	Dimensions(mm)		Circuits	Dimensions(mm)	
	A	B		A	B
2P	2.50	7.50	12P	27.50	32.50
3P	5.00	10.00	13P	30.00	35.00
4P	7.50	12.50	14P	32.50	37.50
5P	10.00	15.50	15P	35.00	40.00
6P	12.50	17.50	16P	37.50	42.50
7P	15.50	20.00	17P	40.00	45.00
8P	17.50	22.50	18P	42.50	47.50
9P	20.00	25.00	19P	45.00	50.00
10P	22.50	27.50	20P	47.50	52.50
11P	25.00	30.00			



深圳市华德共创科技有限公司

Shenzhen Huade co-create Technology Co.,LTD

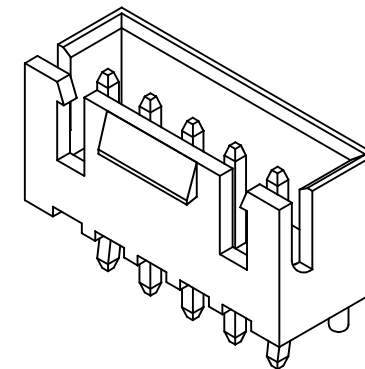
TEL : 0755-27129737 FAX : 0755-29940187

-TOLERANCES- UNLESS OTHERWISE SPECIFIED 公差参数表						TITLE: 2.50mm Pitch 产品名称: 90° Wafer			
X.X	±0.30	X.X°	±3°	APPD: 核准:	XIE	PART NO: 产品编号: HDGC2512WRA-XP			
X.XX	±0.30	X.XX°	±2°	CHECK: 校对:	WANG	DATE	SCALE	UNIT	CODE NUMBER
X.XXX	±0.10	X.XXX°	±1°	DRAW: 绘图:	WANG	2016-05-06	3:1	mm	A008

修订 REV	标记 MARK	修改摘要 REVISION DESCRIPTION	签名 SIGNATURE	日期 DATE
AO		NEW RELEASE	WANG	2016-05-06

Ordering Information:
HDGC2512WVA-XP - **
 1 2

- 1.Part No.
 2.Color:
 (Blank):White
 BL:Blue
 BK:Black
 RD:Red
 YL:Yellow
 GN:Green

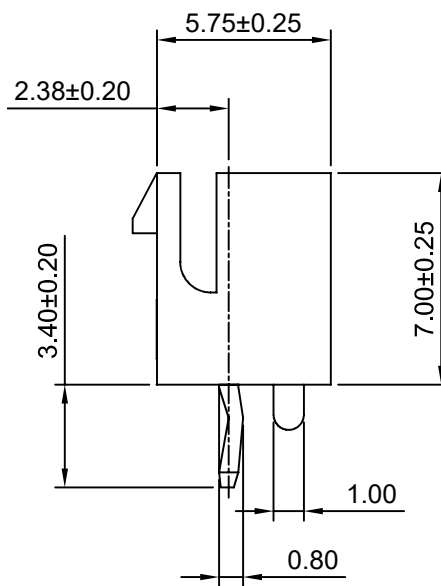
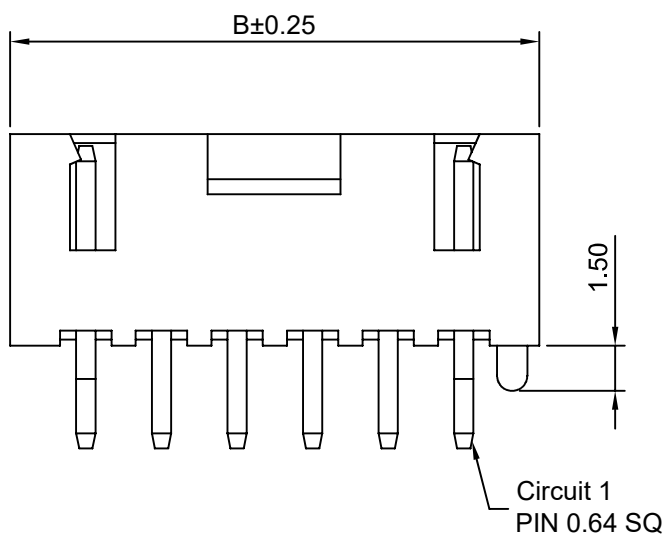
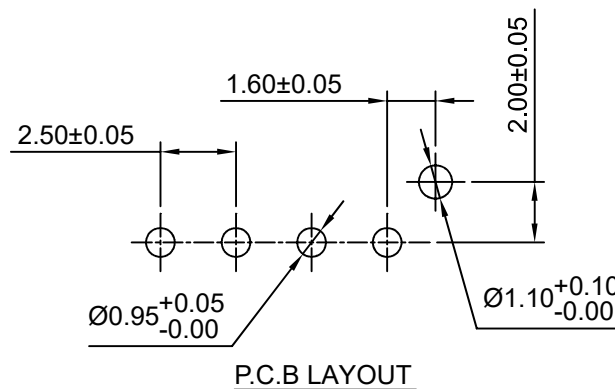
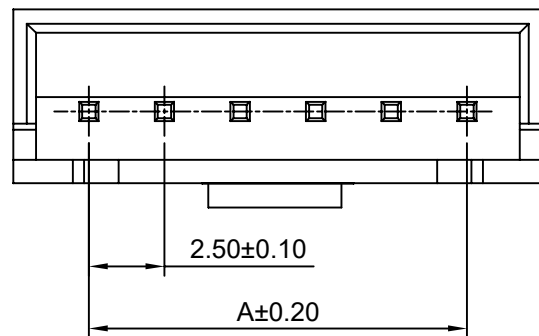


SPECIFICATIONS:

Current Rating: 3A AC,DC
 Voltage Rating: 250V AC,DC
 Temperature Range: -25°C ~ +85°C
 Contact Resistance: 10mΩ Max
 Insulation Resistance: 1000MΩ Min
 Withstanding Voltage: 1000V AC/minute
 Pin Material: Brass/Tin over Nickel
 Material: Nylon 66,UL94V-0(White)

Ordering Information & Dimensions

Circuits	Dimensions(mm)		Circuits	Dimensions(mm)	
	A	B		A	B
3P	5.00	10.00	12P	27.50	32.50
4P	7.50	12.50	13P	30.00	35.00
5P	10.00	15.50	14P	32.50	37.50
6P	12.50	17.50	15P	35.00	40.00
7P	15.50	20.00	16P	37.50	42.50
8P	17.50	22.50	17P	40.00	45.00
9P	20.00	25.00	18P	42.50	47.50
10P	22.50	27.50	19P	45.00	50.00
11P	25.00	30.00	20P	47.50	52.50



深圳市华德共创科技有限公司

Shenzhen Huade co-create Technology Co.,LTD

TEL : 0755-27129737 FAX : 0755-29940187

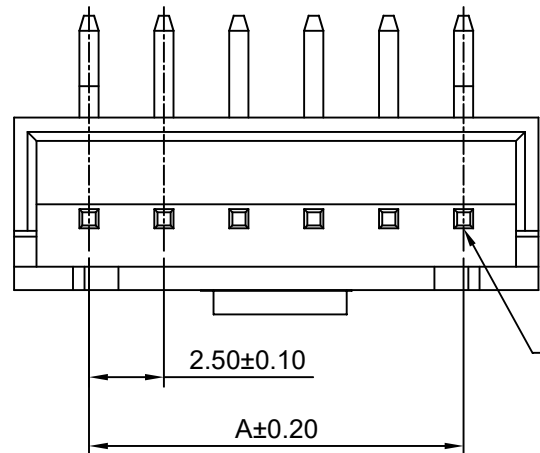
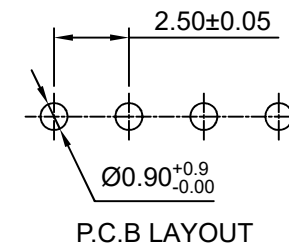
-TOLERANCES- UNLESS OTHERWISE SPECIFIED 公差参数表						TITLE: 2.50mm Pitch 产品名称: 180° Wafer			
X.X	±0.30	X.X°	±3°	APPD: 核准:	XIE	PART NO: 产品编号: HDGC2512WVA-F-XP			
X.XX	±0.30	X.XX°	±2°	CHECK: 校对:	WANG	DATE	SCALE	UNIT	CODE NUMBER
X.XXX	±0.10	X.XXX°	±1°	DRAW: 绘图:	WANG	2016-05-06	4:1	mm	A008

修订 REV	标记 MARK	修改摘要 REVISION DESCRIPTION	签名 SIGNATURE	日期 DATE
AO		NEW RELEASE	WANG	2016-05-06

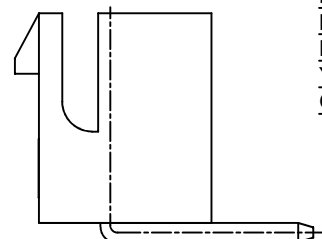
Ordering Information:

HDGC2512WVRA-XP - $\frac{**}{2}$ - $\frac{**}{3}$

- Part No.
- Style:
(blank)-Type 1
2-Type 2
- Color:
(Blank):White
BL:Blue
BK:Black
RD:Red
YL:Yellow
GN:Green



Circuit 1
PIN 0.64 SQ

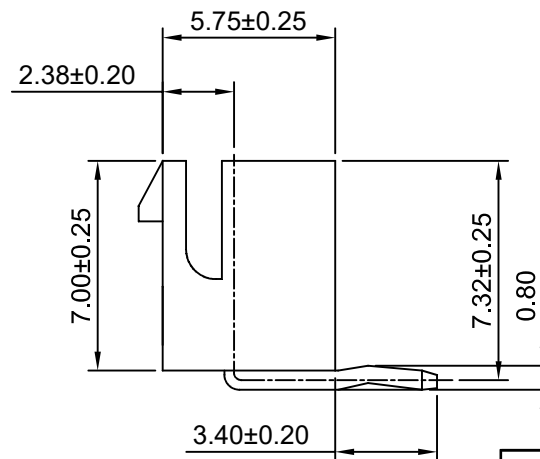
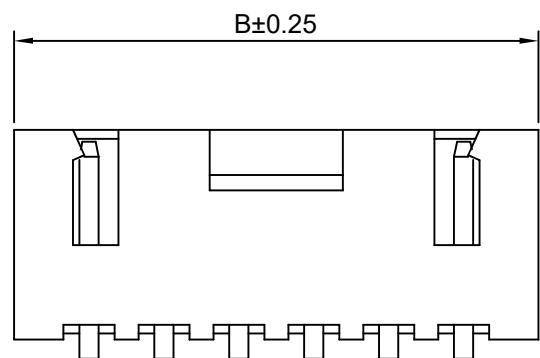


SPECIFICATIONS:

Current Rating: 3A AC,DC
Voltage Rating: 250V AC,DC
Temperature Range: -25°C ~ +85°C
Contact Resistance: 10mΩ Max
Insulation Resistance: 1000MΩ Min
Withstanding Voltage: 1000V AC/minute
Pin Material: Brass/Tin over Nickel
Material: Nylon 66,UL94V-0(White)

Ordering Information & Dimensions

Circuits	Dimensions(mm)		Circuits	Dimensions(mm)	
	A	B		A	B
3P	5.00	10.00	12P	27.50	32.50
4P	7.50	12.50	13P	30.00	35.00
5P	10.00	15.50	14P	32.50	37.50
6P	12.50	17.50	15P	35.00	40.00
7P	15.50	20.00	16P	37.50	42.50
8P	17.50	22.50	17P	40.00	45.00
9P	20.00	25.00	18P	42.50	47.50
10P	22.50	27.50	19P	45.00	50.00
11P	25.00	30.00	20P	47.50	52.50

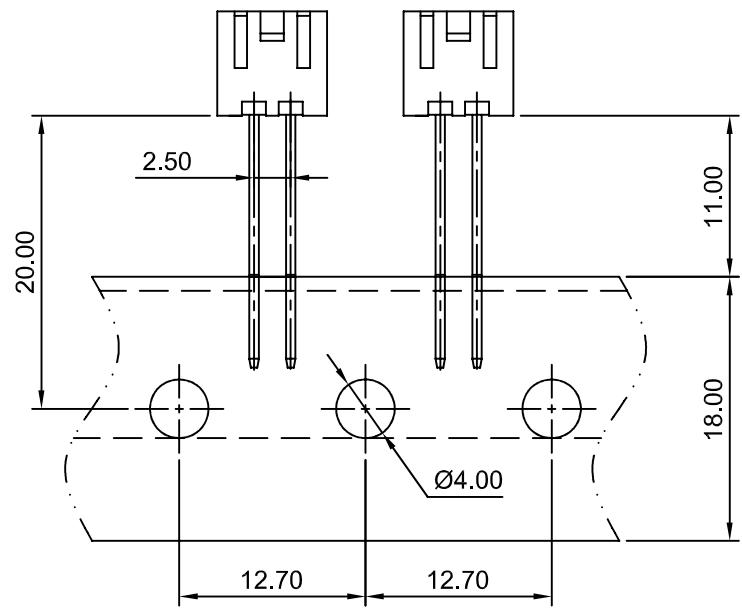


TYPE 1

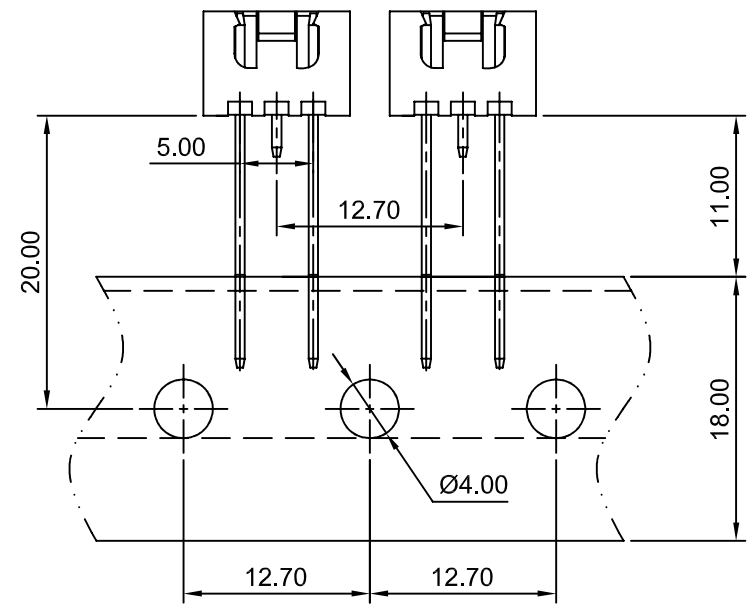
HDGC 深圳市华德共创科技有限公司
Shenzhen Huade co-create Technology Co.,LTD
TEL : 0755-27129737 FAX : 0755-29940187

-TOLERANCES- UNLESS OTHERWISE SPECIFIED 公差参数表				TITLE: 2.50mm Pitch 产品名称: 90° Wafer	
X.X	±0.30	X.X°	±3°	APPD: 核准:	XIE
X.XX	±0.30	X.XX°	±2°	CHECK: 校对:	WANG
X.XXX	±0.10	X.XXX°	±1°	DRAW: 绘图:	WANG
PART NO: 产品编号: HDGC2512WVRA-XP		DATE	SCALE	UNIT	CODE NUMBER
		2016-05-06	4:1	mm	A008

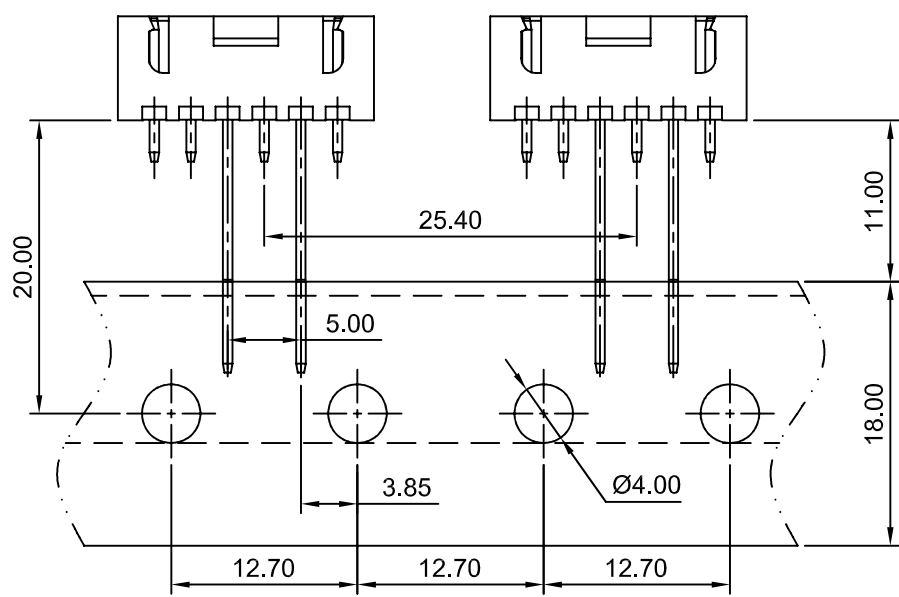
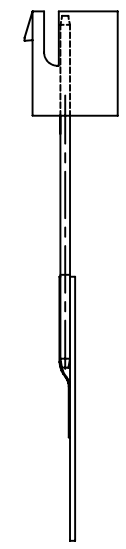
修订 REV	标记 MARK	修改摘要 REVISION DESCRIPTION	签名 SIGNATURE	日期 DATE
AO		NEW RELEASE	WANG	2016-05-06





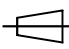
2P



3P



4P~8P

 深圳市华德共创科技有限公司 Shenzhen Huade co-create Technology Co.,LTD TEL : 0755-27129737 FAX : 0755-29940187		TITLE: 2.50mm Pitch 产品名称: 180° Wafer	
-TOLERANCES- UNLESS OTHERWISE SPECIFIED 公差参数表		 	
X.X	±0.30	X.X°	±3°
X.XX	±0.30	X.XX°	±2°
X.XXX	±0.10	X.XXX°	±1°
APPD: 核准:	XIE	PART NO: 产品编号:	HDGC2512WVT-XP
CHECK: 校对:	WANG	DATE	SCALE
DRAW: 绘图:	WANG	2016-05-06	2:1
		UNIT	CODE NUMBER
		mm	A008