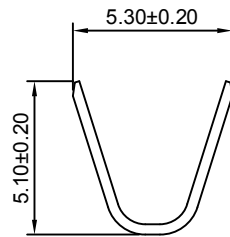
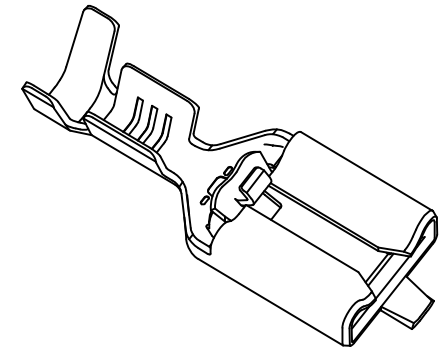
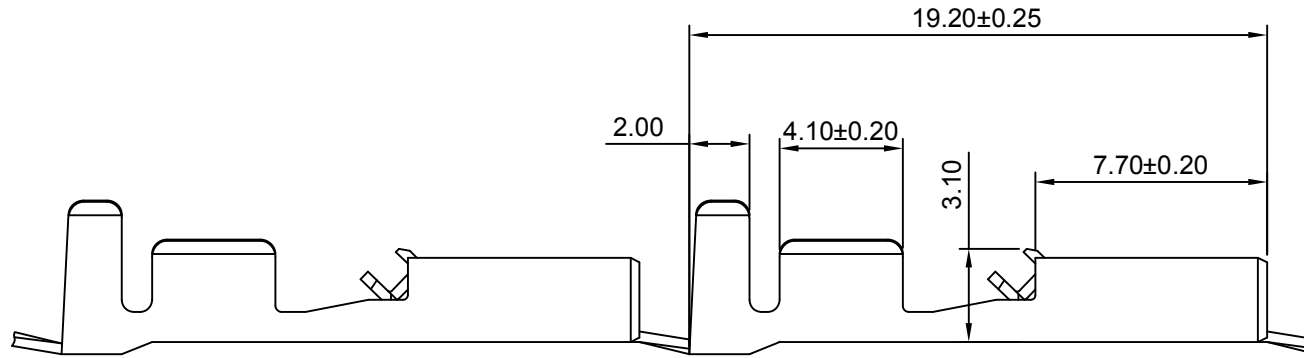
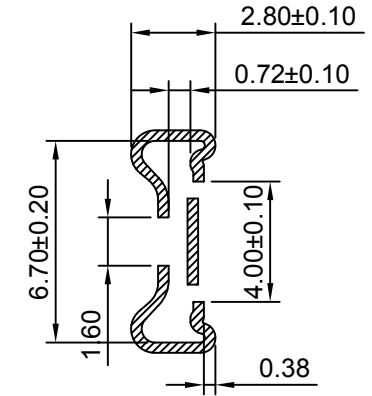
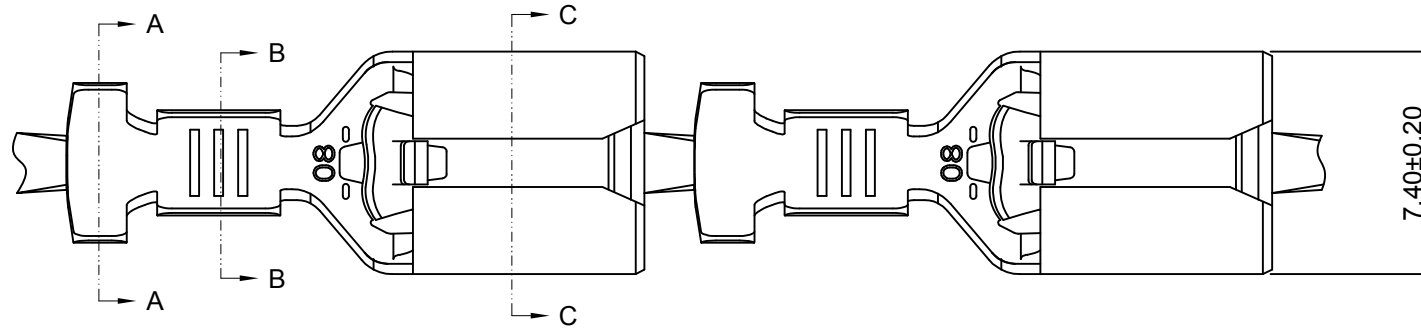
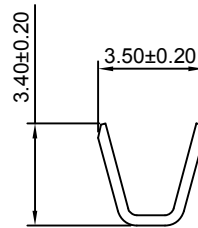


修订 REV	标记 MARK	修改摘要 REVISION DESCRIPTION	签名 SIGNATURE	日期 DATE
AO		NEW RELEASE	WANG	2013-05-11



SEC:A-A



SEC:B-B

Ordering information & Specifications

Part No	Wire Range	Insulation O.D.	Material	Finish	Qty/reel
HDGC7921-TB-A	AWG#14-#18	3.30mm(max)	Brass	Tin over Nickel	5,000 PCS
HDGC7921-TP-A	AWG#14-#18	3.30mm(max)	Phosphor Bronze	Tin over Nickel	5,000 PCS
HDGC7921-SUS-A	AWG#14-#18	3.30mm(max)	SUS 304	-----	5,000 PCS

Optional Gold plating available but MOQ requested



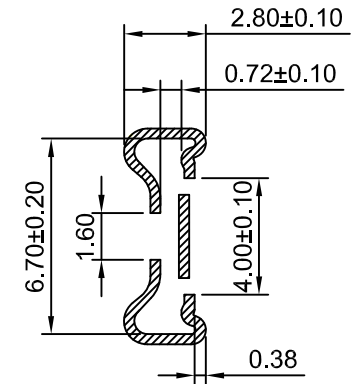
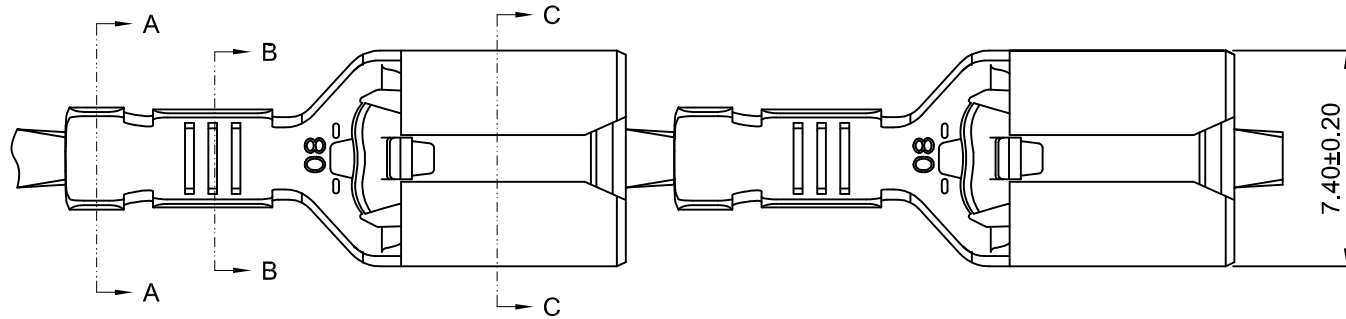
深圳市华德共创科技有限公司

SHENZHEN HUADE CO-CREATE TECHNOLOGY CO.,LTD

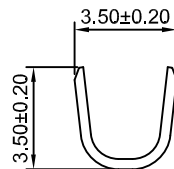
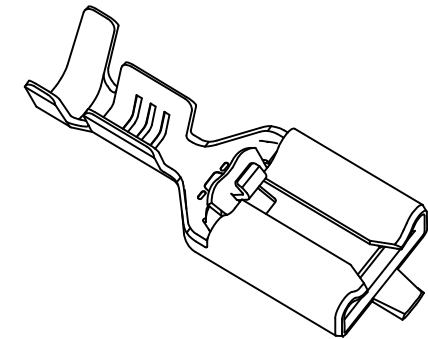
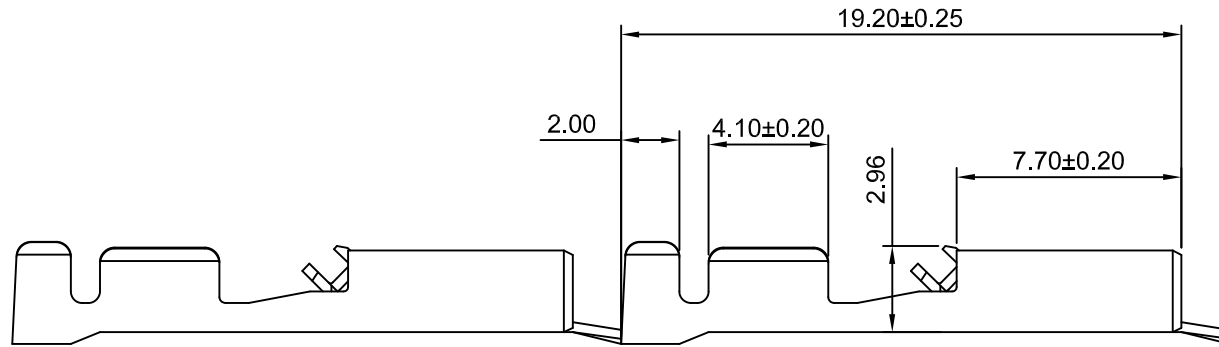
TEL : 0755-27129737 FAX : 0755-29940187

-TOLERANCES- UNLESS OTHERWISE SPECIFIED 公差参数表						TITLE: 5.00mm Pitch 产品名称: Crimp Terminal			
X.X	±0.30	X.X°	±3°	APPD: 核准:	XIE	PART NO: 产品编号: HDGC7921-T-A			
X.XX	±0.30	X.XX°	±2°	CHECK: 校对:	WANG	DATE	SCALE	UNIT	CODE NUMBER
X.XXX	±0.10	X.XXX°	±1°	DRAW: 绘图:	WANG	2013-05-11	4:1	mm	A008

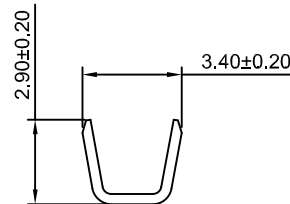
修订 REV	标记 MARK	修改摘要 REVISION DESCRIPTION	签名 SIGNATURE	日期 DATE
AO		NEW RELEASE	WANG	2013-05-11



SEC:C-C



SEC:A-A



SEC:B-B

Ordering information & Specifications

Part No	Wire Range	Insulation O.D.	Material	Finish	Qty/reel
HDGC7921-TB-A-L	AWG#20-#22	1.80mm(max)	Brass	Tin over Nickel	5,000 PCS
HDGC7921-TP-A-L	AWG#20-#22	1.80mm(max)	Phosphor Bronze	Tin over Nickel	5,000 PCS
HDGC7921-SUS-A-L	AWG#20-#22	1.80mm(max)	SUS 304	---	5,000 PCS

Optional Gold plating available but MOQ requested

Unit:mm



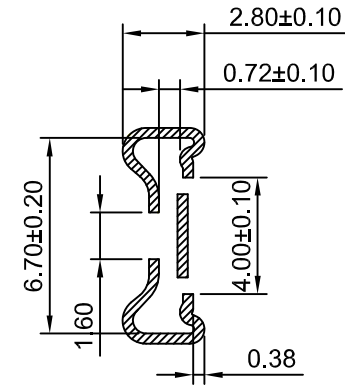
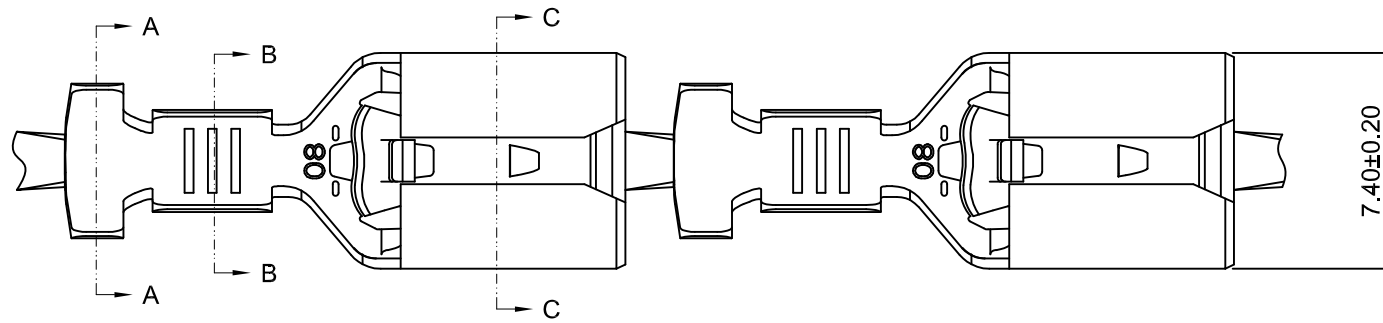
深圳市华德共创科技有限公司

SHENZHEN HUADE CO-CREATE TECHNOLOGY CO.,LTD

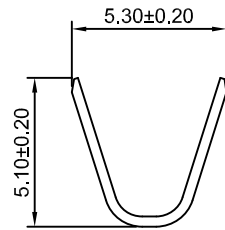
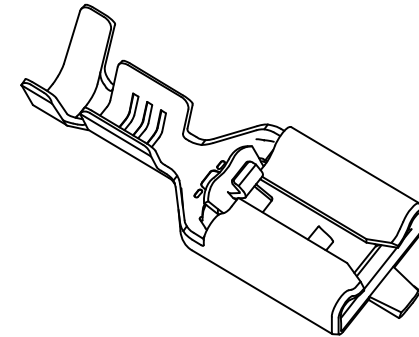
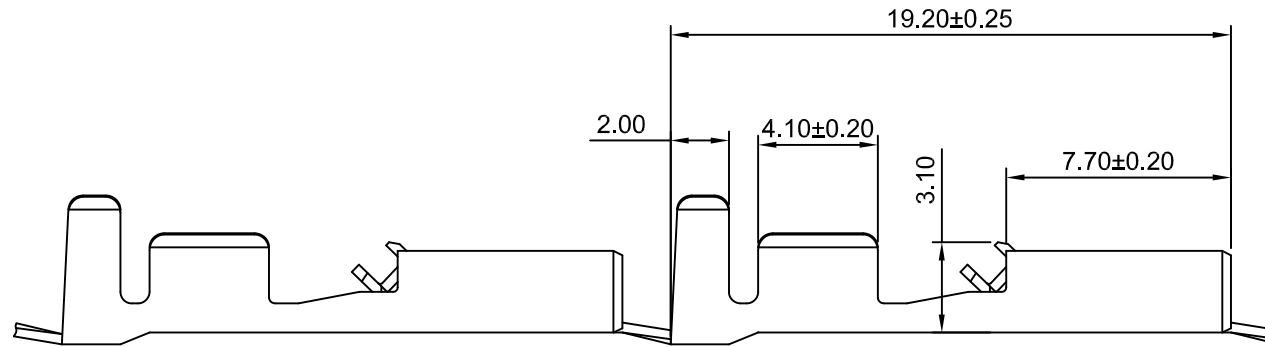
TEL : 0755-27129737 FAX : 0755-29940187

-TOLERANCES- UNLESS OTHERWISE SPECIFIED 公差参数表				TITLE: 产品名称: 5.00mm Pitch Crimp Terminal				
X.X	±0.30	X.X°	±3°	APPD: 核准: XIE	PART NO: 产品编号: HDGC7921-T-A-L			
X.XX	±0.30	X.XX°	±2°	CHECK: 校对: WANG	DATE	SCALE	UNIT	CODE NUMBER
X.XXX	±0.10	X.XXX°	±1°	DRAW: 绘图: WANG	2013-05-11	4:1	mm	A008

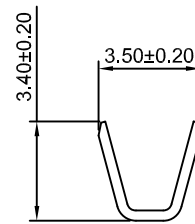
修订 REV	标记 MARK	修改摘要 REVISION DESCRIPTION	签名 SIGNATURE	日期 DATE
AO		NEW RELEASE	WANG	2013-05-11



SEC:C-C



SEC:A-A



SEC:B-B

Ordering information & Specifications

Unit:mm

Part No	Wire Range	Insultion O.D.	Material	Finish	Qty/reel
HDGC7921-TB-B	AWG#14-#18	3.30mm(max)	Brass	Tin over Nickel	5,000 PCS
HDGC7921-TP-B	AWG#14-#18	3.30mm(max)	Phosphor Bronze	Tin over Nickel	5,000 PCS
HDGC7921-SUS-B	AWG#14-#18	3.30mm(max)	SUS 304	---	5,000 PCS

Optional Gold plating available but MOQ requested



深圳市华德共创科技有限公司

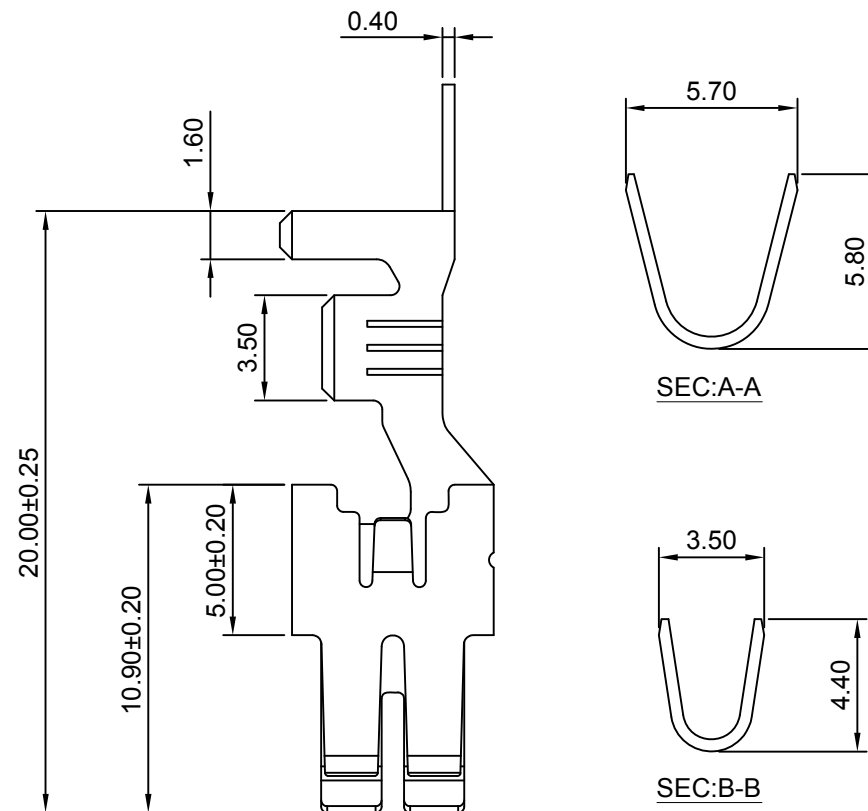
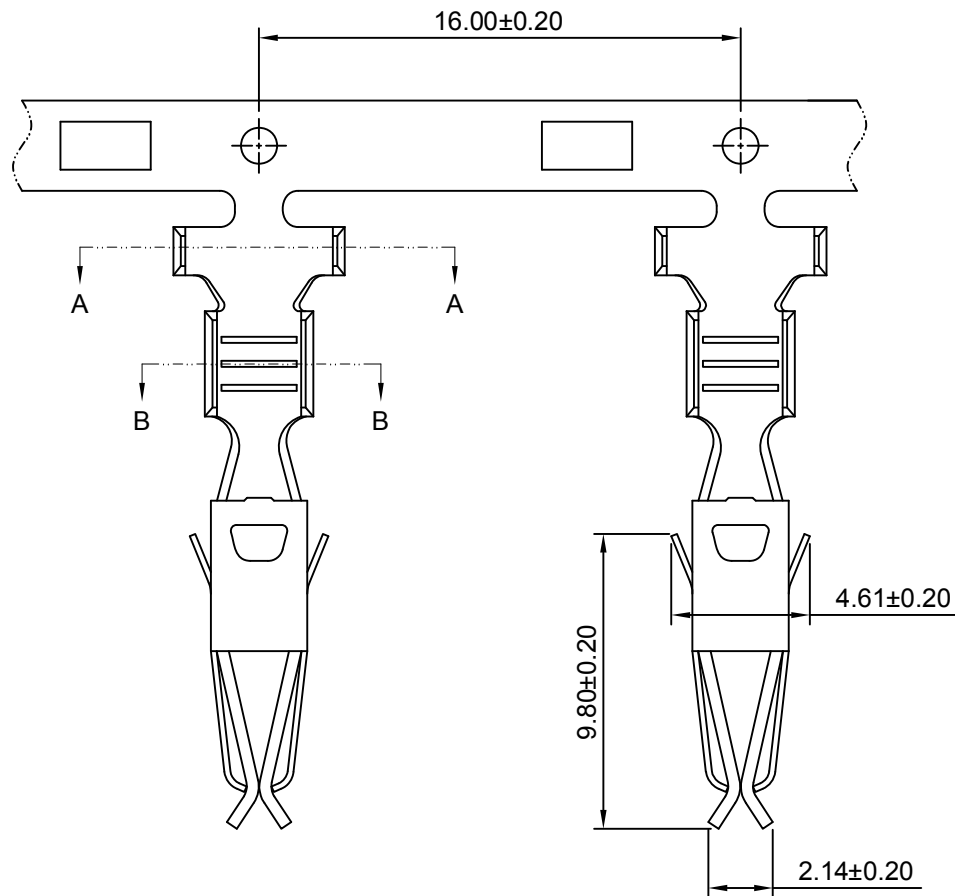
SHENZHEN HUADE CO-CREATE TECHNOLOGY CO.,LTD

TEL : 0755-27129737 FAX : 0755-29940187

-TOLERANCES- UNLESS OTHERWISE SPECIFIED 公差参数表					TITLE: 5.00mm Pitch 产品名称: Crimp Terminal				
X.X	±0.30	X.X°	±3°	APPD: 核准:	XIE				
X.XX	±0.30	X.XX°	±2°	CHECK: 校对:	WANG	DATE	SCALE	UNIT	CODE NUMBER
X.XXX	±0.10	X.XXX°	±1°	DRAW: 绘图:	WANG	2013-05-11	4:1	mm	A008

PART NO: HDGC7921-T-B
产品编号:

修订 REV	标记 MARK	修改摘要 REVISION DESCRIPTION	签名 SIGNATURE	日期 DATE
AO		NEW RELEASE	WANG	2013-05-11



Ordering information & Specifications

Part No	Wire Range	Insulation O.D.	Material	Finish	Qty/reel
HDGC7921-TCF-C	AWG#20-#22	1.80mm(max)	CuFe/Copper Iron	Tin over Nickel	2,300 PCS
HDGC7921-SCF-C	AWG#20-#22	1.80mm(max)	CuFe/Copper Iron	Silver Plated	2,300 PCS

Unit:mm



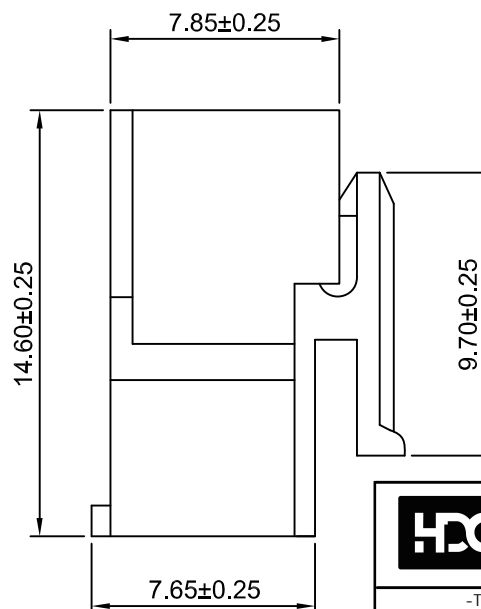
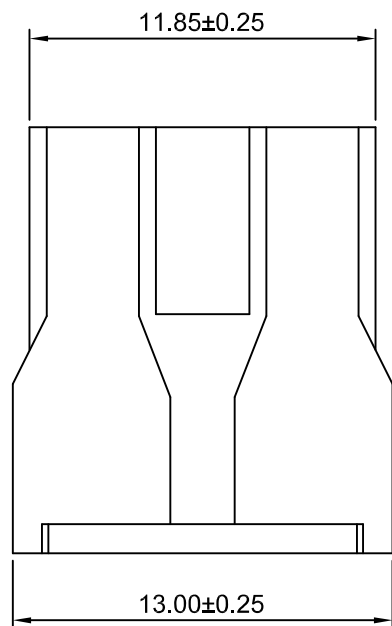
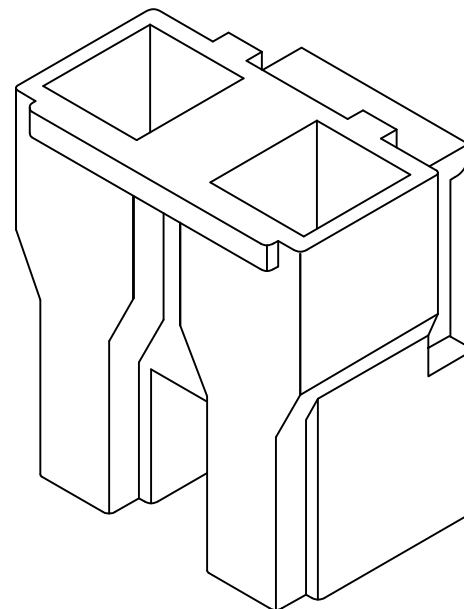
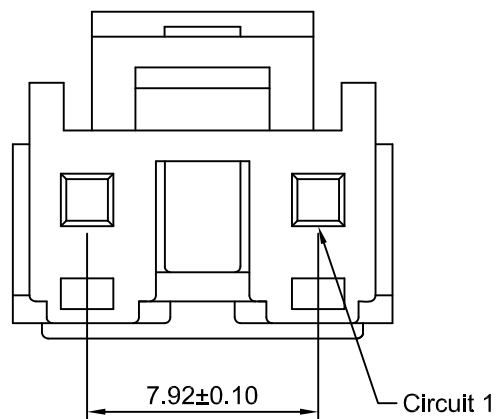
深圳市华德共创科技有限公司

SHENZHEN HUADE CO-CREATE TECHNOLOGY CO.,LTD

TEL : 0755-27129737 FAX : 0755-29940187

-TOLERANCES- UNLESS OTHERWISE SPECIFIED 公差参数表						TITLE: 5.00mm Pitch 产品名称: Crimp Terminal			
X.X	±0.30	X.X°	±3°	APPD: 核准:	XIE	PART NO: 产品编号: HDGC7921-T-C			
X.XX	±0.30	X.XX°	±2°	CHECK: 校对:	WANG	DATE	SCALE	UNIT	CODE NUMBER
X.XXX	±0.10	X.XXX°	±1°	DRAW: 绘图:	WANG	2013-05-11	4:1	mm	A008

修订 REV	标记 MARK	修改摘要 REVISION DESCRIPTION	签名 SIGNATURE	日期 DATE
AO		NEW RELEASE	WANG	2013-05-11



SPECIFICATIONS:
 Current Rating: 10A AC,DC
 Voltage Rating: 250V AC,DC
 Temperature Range: -25°C ~ +85°C
 Contact Resistance: 10mΩ Max
 Insulation Resistance: 1000MΩ Min
 Withstanding Voltage: 1500V AC/minute
 Material: Nylon 66,UL94V-0 (White)



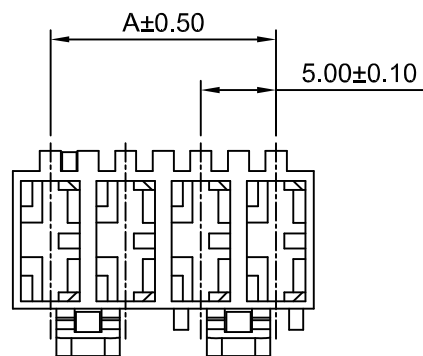
深圳市华德共创科技有限公司

SHENZHEN HUADE CO-CREATE TECHNOLOGY CO.,LTD

TEL : 0755-27129737 FAX : 0755-29940187

-TOLERANCES- UNLESS OTHERWISE SPECIFIED 公差参数表			 		TITLE: 7.92mm Pitch Housing 产品名称: Housing			
X.X	±0.30	X.X°	±3°	APPD: 核准:	XIE			
X.XX	±0.30	X.XX°	±2°	CHECK: 校对:	WANG			
X.XXX	±0.10	X.XXX°	±1°	DRAW: 绘图:	WANG			
PART NO: HDGC7921H-2P 产品编号:					DATE	SCALE	UNIT	CODE NUMBER
					2013-05-11	4:1	mm	A008

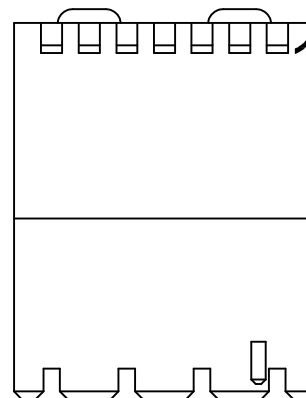
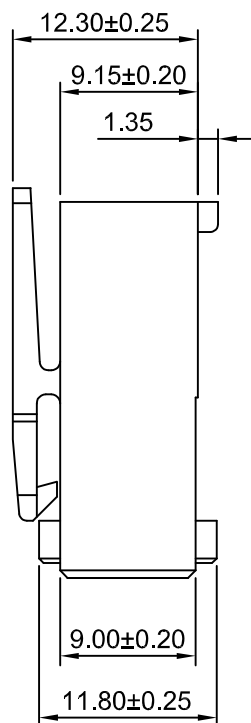
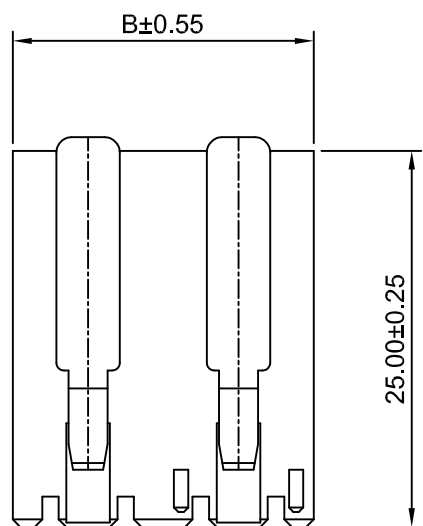
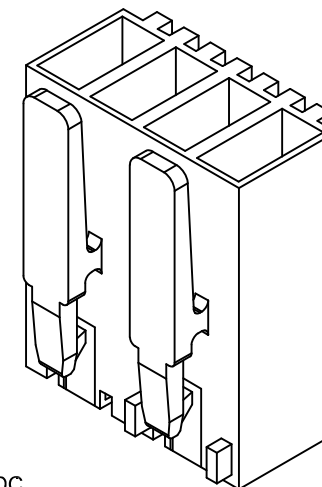
修订 REV	标记 MARK	修改摘要 REVISION DESCRIPTION	签名 SIGNATURE	日期 DATE
AO		NEW RELEASE	WANG	2014-04-27



Ordering Information:

HDGC7921HC-XP - **
1 2

- 1.Part No.
- 2.Please find page 1~8 for details.



SPECIFICATIONS:

Current Rating: 16A AC,DC
Voltage Rating: 380V AC,DC
Temperature Range: -25°C ~ +85°C
Contact Resistance: 20mΩ Max
Insulation Resistance: 1000MΩ Min
Withstanding Voltage: 1800V AC/minute
Material:Nylon 66,UL94V-0,GWT 750°C(Ivory)

Ordering Information & Dimensions

Circuits	Dimensions(mm)		Circuits	Dimensions(mm)	
	A	B		A	B
2P	5.00	10.00	8P	35.00	40.00
3P	10.00	15.00	9P	40.00	45.00
4P	15.00	20.00	10P	45.00	50.00
5P	20.00	25.00	11P	50.00	55.00
6P	25.00	30.00	12P	55.00	60.00
7P	30.00	35.00			



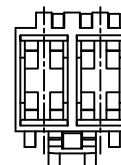
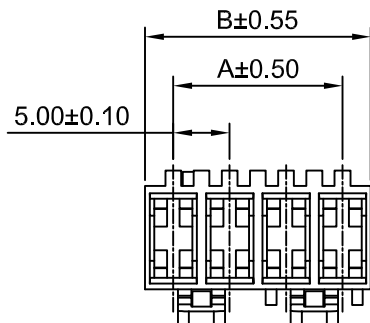
深圳市华德共创科技有限公司

SHENZHEN HUADE CO-CREATE TECHNOLOGY CO.,LTD

TEL : 0755-27129737 FAX : 0755-29940187

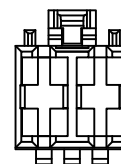
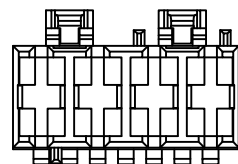
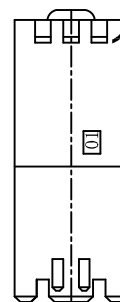
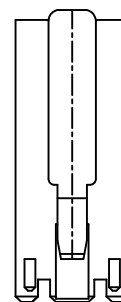
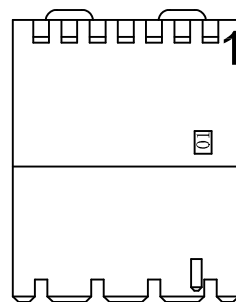
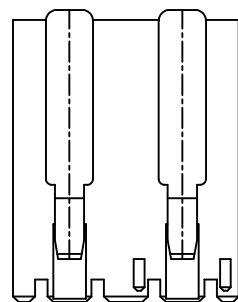
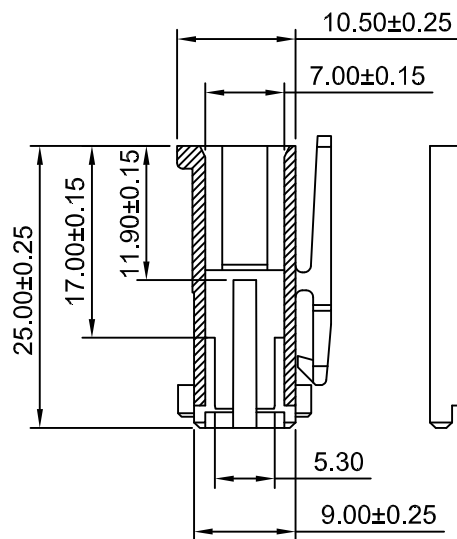
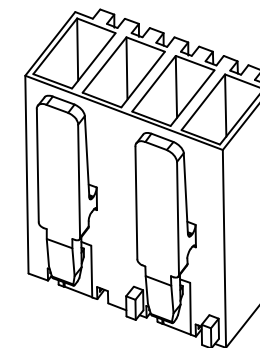
-TOLERANCES- UNLESS OTHERWISE SPECIFIED 公差参数表						TITLE: 5.00mm Pitch Housing 产品名称:			
X.X	±0.30	X.X°	±3°	APPD: 核准:	XIE	PART NO: 产品编号: HDGC7921HC-XP			
X.XX	±0.30	X.XX°	±2°	CHECK: 校对:	WANG	DATE	SCALE	UNIT	CODE NUMBER
X.XXX	±0.10	X.XXX°	±1°	DRAW: 绘图:	WANG	2014-04-27	2:1	mm	A008

修订 REV	标记 MARK	修改摘要 REVISION DESCRIPTION	签名 SIGNATURE	日期 DATE
AO		NEW RELEASE	WANG	2014-04-27



Ordering Information:
HDGC7921HCA-XP - **
1 2

- 1.Part No.
- 2.Please find page 1~8 for details.



SPECIFICATIONS:

Current Rating: 16A AC,DC
Voltage Rating: 380V AC,DC
Temperature Range: -25°C ~ +85°C
Contact Resistance: 20mΩ Max
Insulation Resistance: 1000MΩ Min
Withstanding Voltage: 1800V AC/minute
Material:Nylon 66,UL94V-0,GWT 750°C(Ivory)

Ordering Information & Dimensions

Circuits	Dimensions(mm)		Circuits	Dimensions(mm)	
	A	B		A	B
2P	5.00	10.00	8P	35.00	40.00
3P	10.00	15.00	9P	40.00	45.00
4P	15.00	20.00	10P	45.00	50.00
5P	20.00	25.00	11P	50.00	55.00
6P	25.00	30.00	12P	55.00	60.00
7P	30.00	35.00			



深圳市华德共创科技有限公司

SHENZHEN HUADE CO-CREATE TECHNOLOGY CO.,LTD

TEL : 0755-27129737 FAX : 0755-29940187


-TOLERANCES- UNLESS OTHERWISE SPECIFIED 公差参数表				TITLE: 产品名称: 5.00mm Pitch Housing	
X.X	±0.30	X.X°	±3°	APPD: 核准:	XIE
X.XX	±0.30	X.XX°	±2°	CHECK: 校对:	WANG
X.XXX	±0.10	X.XXX°	±1°	DRAW: 绘图:	WANG
PART NO: 产品编号:		HDGC7921HCA-XP			
DATE	SCALE	UNIT	CODE NUMBER		
2014-04-27	1.5:1	mm	A008		

修订 REV	标记 MARK	修改摘要 REVISION DESCRIPTION	签名 SIGNATURE	日期 DATE
AO		NEW RELEASE	WANG	2014-04-27

Type	0A	0B	0C	0E	0F	0G	0H	0I	0J	0K	0L	0M	0N	0P	0Q	0R	0S	0T	0U	0X	0Z
2 PIN																					
	09	10	11	31	34	38	39	40	48	49	78	80	86	1A	1B	1C	1D				



Type	0A	0B	0C	0D	0E	0F	0G	0H	0I	0K	0L	0M	0N	0Q	0W
3 PIN															
	01	02	03	04	05	08	10	11	12	13	1A	1B	1C	1D	1E
	1F	2N	2P	32	33	38	39	40	44	53	65	67	80	81	98
	99														

Type	0A	0B	0C	0D	0E	0F	0G	0H	0I	0J	0K	0L
4 PIN												
	0M	0N	0W	01	02	03	04	05				
	06	12	17	19	29	30	32	37				
	43	44	61	62	63							

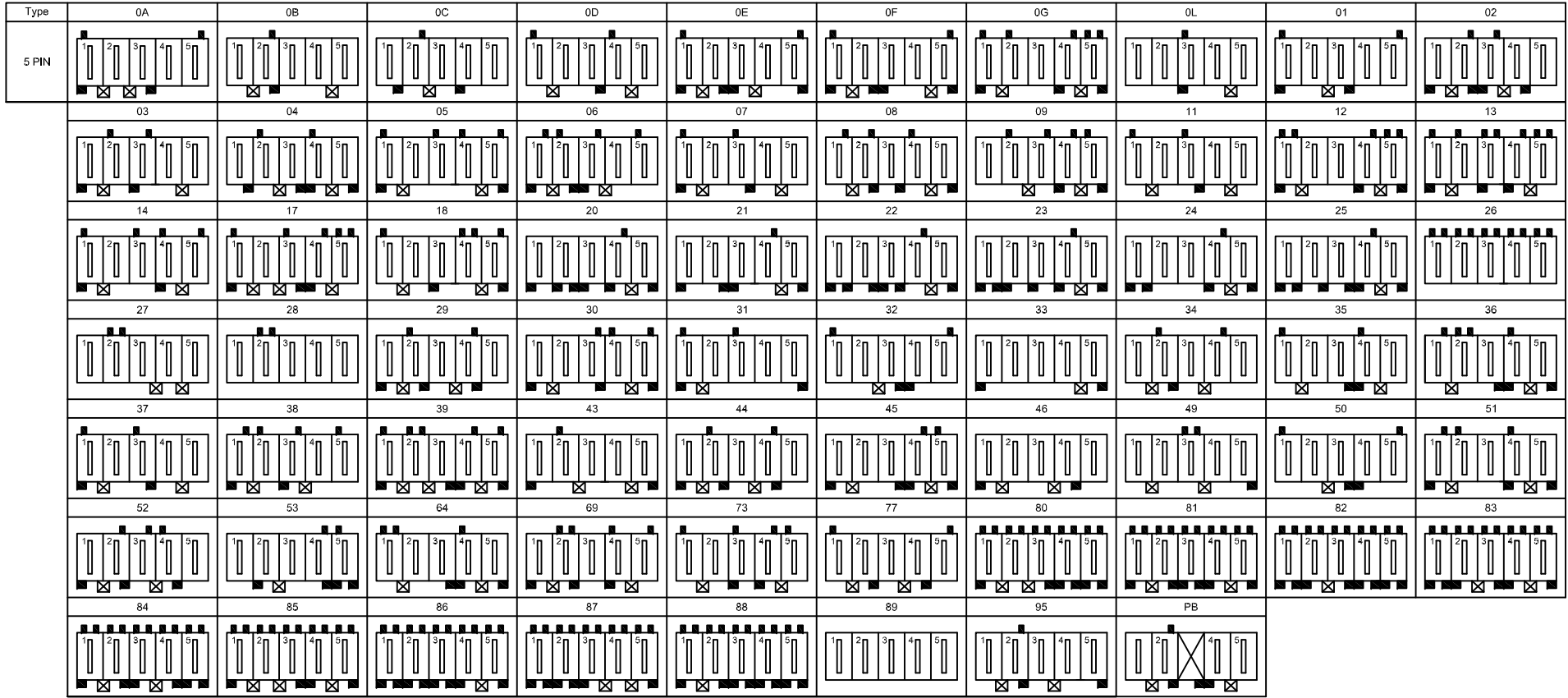
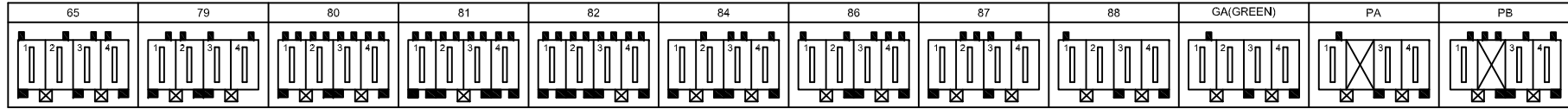


深圳市华德共创科技有限公司

SHENZHEN HUADE CO-CREATE TECHNOLOGY CO.,LTD
TEL : 0755-27129737 FAX : 0755-29940187

-TOLERANCES- UNLESS OTHERWISE SPECIFIED 公差参数表			 	TITLE: 5.00mm Pitch Housing 产品名称: 5.00mm Pitch Housing							
X.X	±0.30	X.X°	±3°	APPD: 核准:	XIE			PART NO: 产品编号:		HDGC7921HC/HCA	
X.XX	±0.30	X.XX°	±2°	CHECK: 校对:	WANG			DATE	SCALE	UNIT	CODE NUMBER
X.XXX	±0.10	X.XXX°	±1°	DRAW: 绘图:	WANG			2014-04-27	1:1	mm	A008

修订 REV	标记 MARK	修改摘要 REVISION DESCRIPTION	签名 SIGNATURE	日期 DATE
AO		NEW RELEASE	WANG	2014-04-27



深圳市华德共创科技有限公司
 SHENZHEN HUADE CO-CREATE TECHNOLOGY CO.,LTD
 TEL : 0755-27129737 FAX : 0755-29940187

-TOLERANCES- UNLESS OTHERWISE SPECIFIED 公差参数表						TITLE: 产品名称: 5.00mm Pitch Housing			
X.X	±0.30	X.X°	±3°	APPD: 核准:	XIE	PART NO: 产品编号: HDGC7921HC/HCA			
X.XX	±0.30	X.XX°	±2°	CHECK: 校对:	WANG	DATE	SCALE	UNIT	CODE NUMBER
X.XXX	±0.10	X.XXX°	±1°	DRAW: 绘图:	WANG	2014-04-27	1:1	mm	A008

修订 REV	标记 MARK	修改摘要 REVISION DESCRIPTION	签名 SIGNATURE	日期 DATE
AO		NEW RELEASE	WANG	2014-04-27

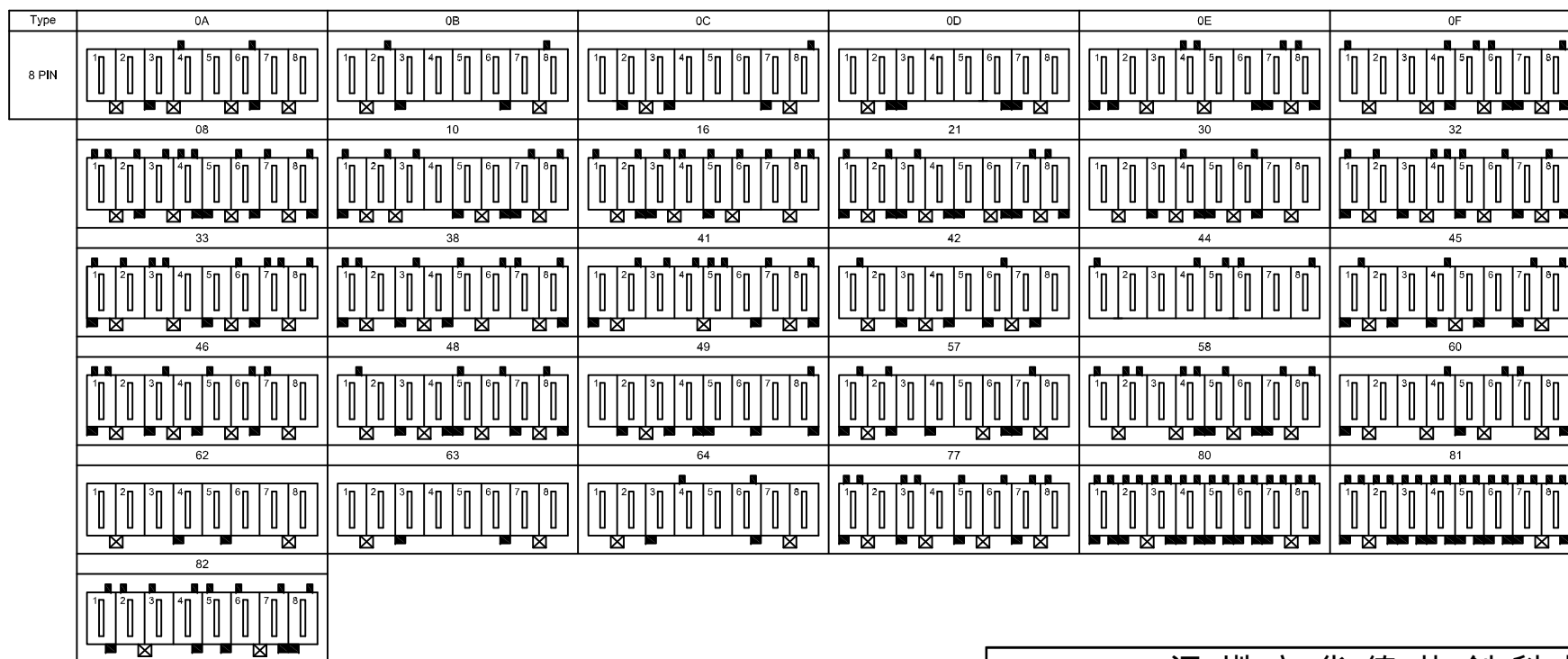
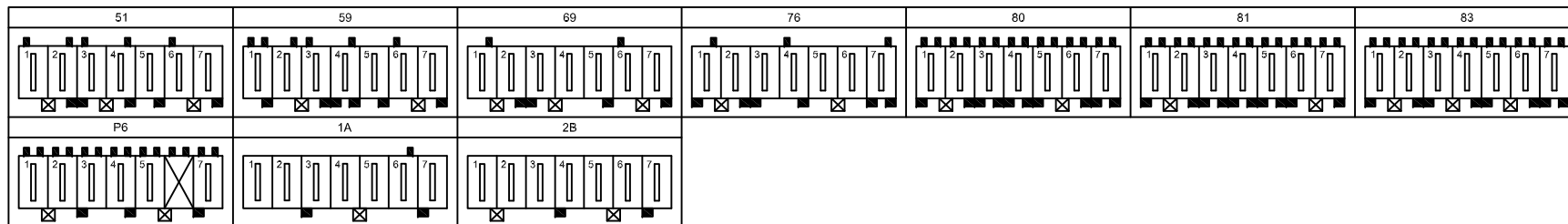
Type	0A	0B	0C	0D	0E	0F	01	04
6 PIN								
	06	14	15	21	29	30	35	36
	37	39	42	43	44	46	50	51
	58	59	62	66	71	73	80	81
	82	K06	K07					

Type	0A	0B	1B	0C	0E	03	04
7 PIN							
	14	19	22	23	27	30	31
	32	34	35	38			
	40	41	42	43			
	45	48	49				

深圳市华德共创科技有限公司
SHENZHEN HUADE CO-CREATE TECHNOLOGY CO.,LTD
TEL : 0755-27129737 FAX : 0755-29940187

-TOLERANCES- UNLESS OTHERWISE SPECIFIED 公差参数表				TITLE: 产品名称: 5.00mm Pitch Housing
X.X ±0.30	X.X° ±3°	APPD: 核准: XIE	PART NO: 产品编号: HDGC7921HC/HCA	
X.XX ±0.30	X.XX° ±2°	CHECK: 校对: WANG	DATE	SCALE
X.XXX ±0.10	X.XXX° ±1°	DRAW: 绘图: WANG	2014-04-27	1:1
			UNIT	CODE NUMBER
			mm	A008

修订 REV	标记 MARK	修改摘要 REVISION DESCRIPTION	签名 SIGNATURE	日期 DATE
AO		NEW RELEASE	WANG	2014-04-27





深圳市华德共创科技有限公司

SHENZHEN HUADE CO-CREATE TECHNOLOGY CO.,LTD
TEL : 0755-27129737 FAX : 0755-29940187

-TOLERANCES- UNLESS OTHERWISE SPECIFIED 公差参数表				 		TITLE: 5.00mm Pitch Housing 产品名称: 5.00mm Pitch Housing		
X.X	±0.30	X.X°	±3°	APPD: 核准: XIE	PART NO: HDGC7921HC/HCA 产品编号:			
X.XX	±0.30	X.XX°	±2°	CHECK: 校对: WANG	DATE	SCALE	UNIT	CODE NUMBER
X.XXX	±0.10	X.XXX°	±1°	DRAW: 绘图: WANG	2014-04-27	1:1	mm	A008

修订 REV	标记 MARK	修改摘要 REVISION DESCRIPTION	签名 SIGNATURE	日期 DATE
AO		NEW RELEASE	WANG	2014-04-27

Type	0A	0B	0C	0D	0E
9 PIN					
	30	31	32	33	35
	37	38	39	40	42
	43	48	49	52	53
	57	58	59	80	81



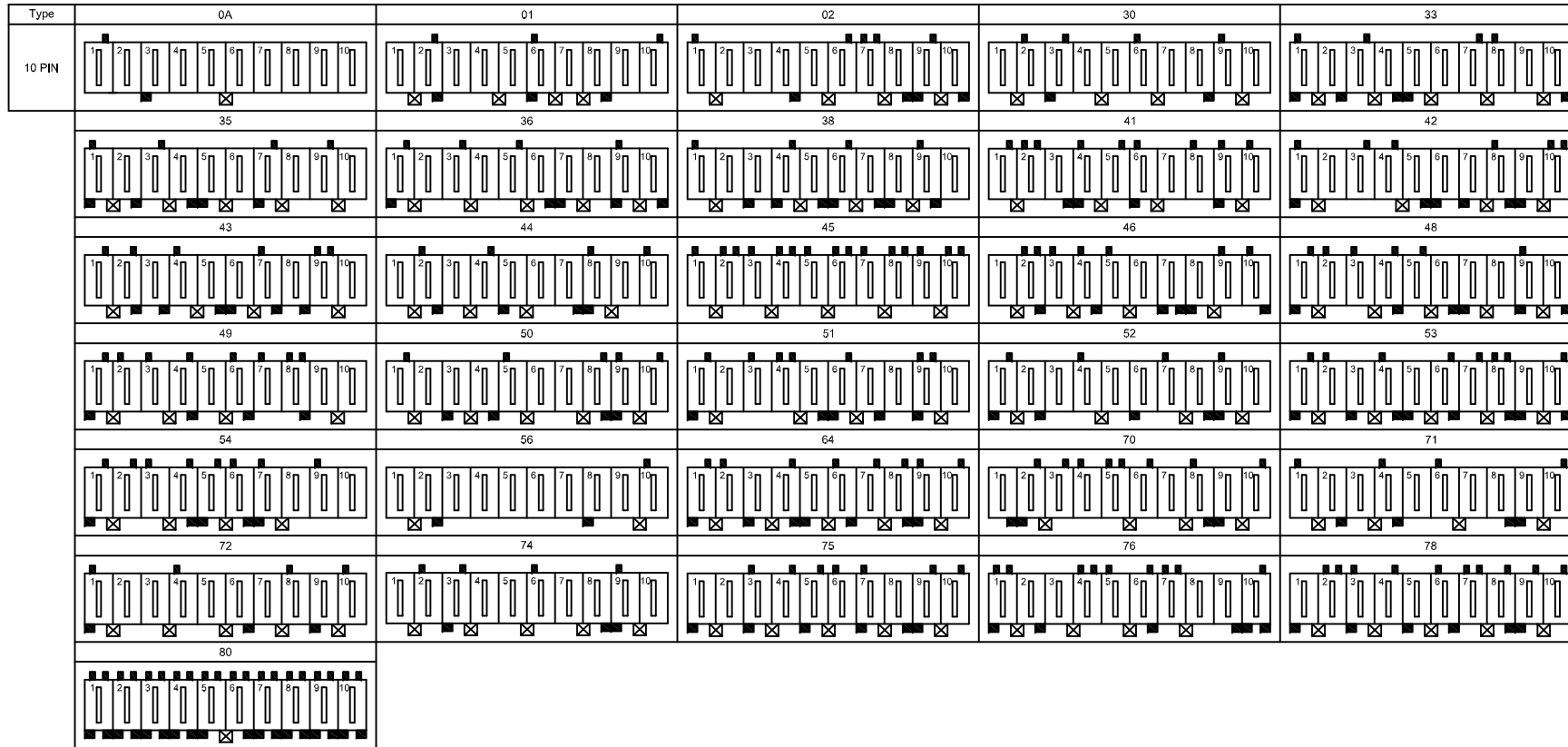
深圳市华德共创科技有限公司

SHENZHEN HUADE CO-CREATE TECHNOLOGY CO.,LTD

TEL : 0755-27129737 FAX : 0755-29940187

-TOLERANCES- UNLESS OTHERWISE SPECIFIED 公差参数表						TITLE: 5.00mm Pitch 产品名称: Housing	
X.X	±0.30	X.X°	±3°	APPD: 核准:	XIE	PART NO: 产品编号: HDGC7921HC/HCA	
X.XX	±0.30	X.XX°	±2°	CHECK: 校对:	WANG	DATE	SCALE
X.XXX	±0.10	X.XXX°	±1°	DRAW: 绘图:	WANG	2014-04-27	UNIT
						1:1	CODE NUMBER
						mm	A008

修订 REV	标记 MARK	修改摘要 REVISION DESCRIPTION	签名 SIGNATURE	日期 DATE
AO		NEW RELEASE	WANG	2014-04-27



		深圳市华德共创科技有限公司 SHENZHEN HUADE CO-CREATE TECHNOLOGY CO.,LTD TEL : 0755-27129737 FAX : 0755-29940187								
		-TOLERANCES- UNLESS OTHERWISE SPECIFIED 公差参数表				TITLE: 5.00mm Pitch Housing 产品名称:				
X.X	±0.30	X.X°	±3°	APPD: 核准:	XIE					
X.XX	±0.30	X.XX°	±2°	CHECK: 校对:	WANG		DATE	SCALE	UNIT	CODE NUMBER
X.XXX	±0.10	X.XXX°	±1°	DRAW: 绘图:	WANG		2014-04-27	1:1	mm	A008
				PART NO: 产品编号:		HDGC7921HC/HCA				

修订 REV	标记 MARK	修改摘要 REVISION DESCRIPTION	签名 SIGNATURE	日期 DATE
AO		NEW RELEASE	WANG	2014-04-27

Type	0A	0B	0C	01
11 PIN				
	12	13	28	30
	31	32	33	34
	35	36	37	38
	39	40	42	43
	44	45	46	47
	55	60	64	80



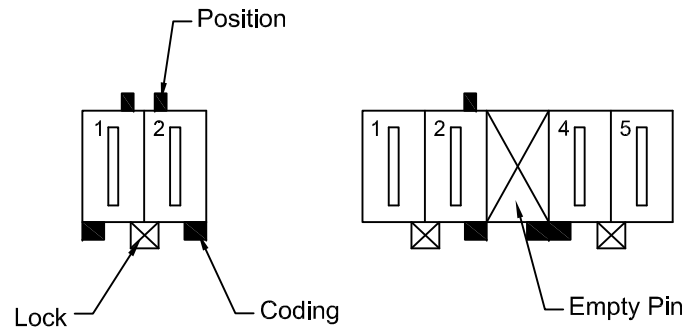
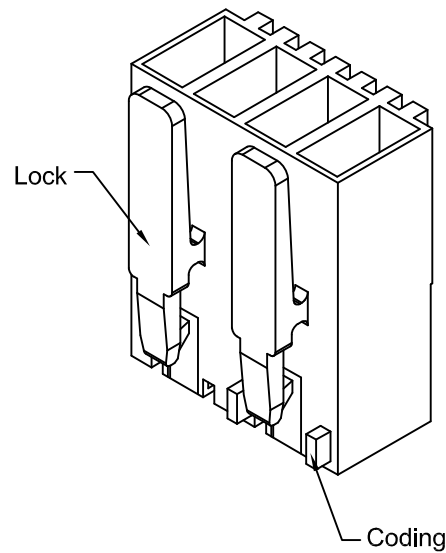
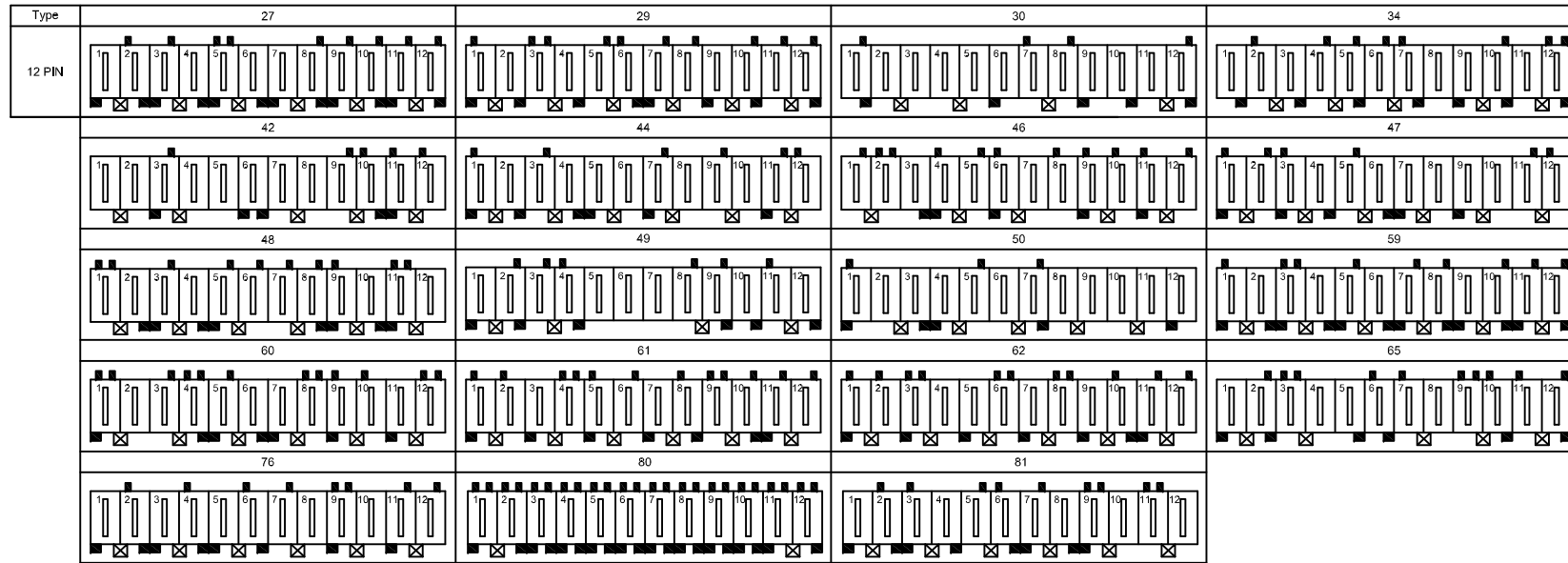
深圳市华德共创科技有限公司



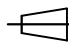
SHENZHEN HUADE CO-CREATE TECHNOLOGY CO.,LTD

TEL : 0755-27129737 FAX : 0755-29940187

-TOLERANCES- UNLESS OTHERWISE SPECIFIED 公差参数表						TITLE: 产品名称: 5.00mm Pitch Housing	
X.X	±0.30	X.X°	±3°	APPD: 核准:	XIE	PART NO: 产品编号: HDGC7921HC/HCA	
X.XX	±0.30	X.XX°	±2°	CHECK: 校对:	WANG	DATE	SCALE
X.XXX	±0.10	X.XXX°	±1°	DRAW: 绘图:	WANG	2014-04-27	UNIT
						1:1	CODE NUMBER
						mm	A008

修订 REV	标记 MARK	修改摘要 REVISION DESCRIPTION	签名 SIGNATURE	日期 DATE
AO		NEW RELEASE	WANG	2014-04-27



 深圳市华德共创科技有限公司 SHENZHEN HUADE CO-CREATE TECHNOLOGY CO.,LTD TEL : 0755-27129737 FAX : 0755-29940187				TITLE: 5.00mm Pitch Housing 产品名称: 5.00mm Pitch Housing			
				APPD: XIE 核准: XIE		PART NO: HDGC7921HC/HCA 产品编号: HDGC7921HC/HCA	
X.X ±0.30 X.XX ±0.30 X.XXX ±0.10	X.X° ±3° X.XX° ±2° X.XXX° ±1°	 	CHECK: WANG 校对: WANG	DATE: 2014-04-27	SCALE: 1:1	UNIT: mm	CODE NUMBER: A008

修订 REV	标记 MARK	修改摘要 REVISION DESCRIPTION	签名 SIGNATURE	日期 DATE
AO		NEW RELEASE	WANG	2014-04-27

Ordering Information:

HDGC7921HD-XP - **
1 2

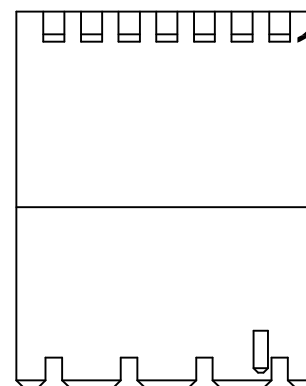
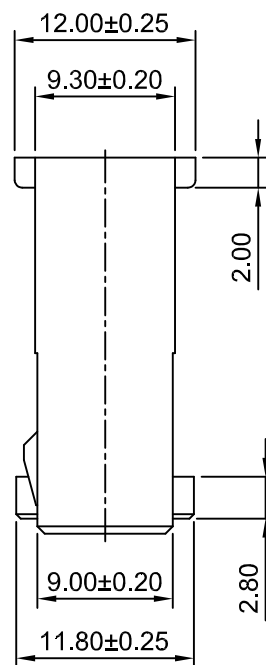
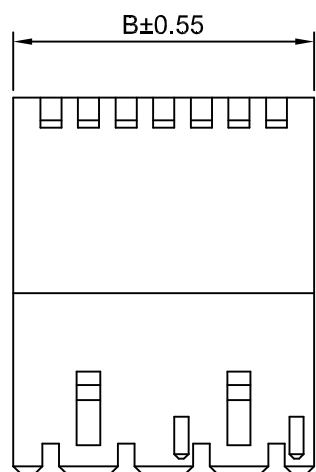
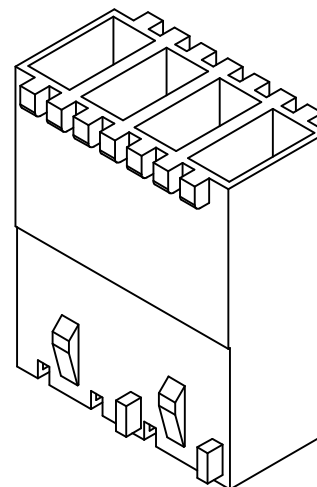
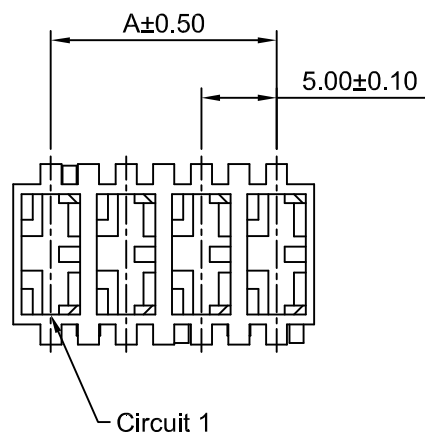
- 1.Part No.
- 2.See the table of next page.

SPECIFICATIONS:

Current Rating: 16A AC,DC
Voltage Rating: 380V AC,DC
Temperature Range: -25°C ~ +85°C
Contact Resistance: 20mΩ Max
Insulation Resistance: 1000MΩ Min
Withstanding Voltage: 1800V AC/minute

Ordering Information & Dimensions

Circuits	Dimensions(mm)		Circuits	Dimensions(mm)	
	A	B		A	B
2P	5.00	10.00	8P	35.00	40.00
3P	10.00	15.00	9P	40.00	45.00
4P	15.00	20.00	10P	45.00	50.00
5P	20.00	25.00	11P	50.00	55.00
6P	25.00	30.00	12P	55.00	60.00
7P	30.00	35.00			



深圳市华德共创科技有限公司

SHENZHEN HUADE CO-CREATE TECHNOLOGY CO.,LTD

TEL : 0755-27129737 FAX : 0755-29940187

-TOLERANCES- UNLESS OTHERWISE SPECIFIED 公差参数表				TITLE: 产品名称: 5.00mm Pitch Housing	
X.X	±0.30	X.X°	±3°	APPD: 核准:	XIE
X.XX	±0.30	X.XX°	±2°	CHECK: 校对:	WANG
X.XXX	±0.10	X.XXX°	±1°	DRAW: 绘图:	WANG
PART NO: 产品编号:			HDGC7921HD-XP		
DATE	SCALE	UNIT	CODE NUMBER		
2014-04-27	2:1	mm	A008		

修订 REV	标记 MARK	修改摘要 REVISION DESCRIPTION	签名 SIGNATURE	日期 DATE
AO		NEW RELEASE	WANG	2014-04-27

Ordering Information:

HDGC7921HDA-XP - **
1 2

- 1.Part No.
2. See the table of next page.

SPECIFICATIONS:

Current Rating: 16A AC,DC
Voltage Rating: 380V AC,DC
Temperature Range: -25°C ~ +85°C
Contact Resistance: 20mΩ Max
Insulation Resistance: 1000MΩ Min
Withstanding Voltage: 1800V AC/minute

Ordering Information & Dimensions

Circuits	Dimensions(mm)		Circuits	Dimensions(mm)	
	A	B		A	B
2P	5.00	10.00	8P	35.00	40.00
3P	10.00	15.00	9P	40.00	45.00
4P	15.00	20.00	10P	45.00	50.00
5P	20.00	25.00	11P	50.00	55.00
6P	25.00	30.00	12P	55.00	60.00
7P	30.00	35.00			

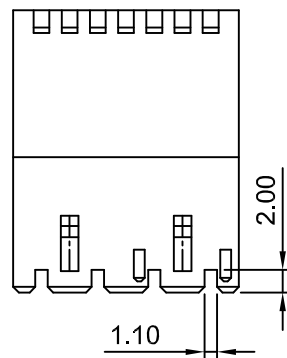
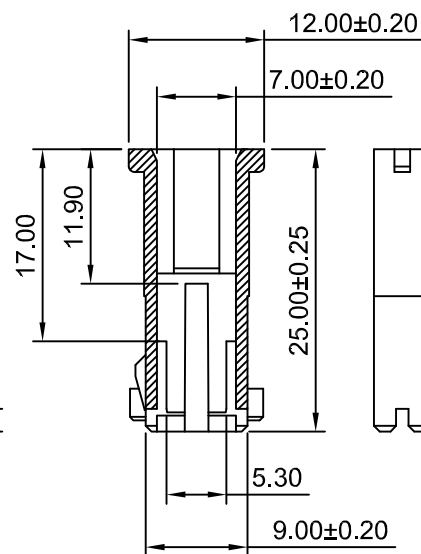
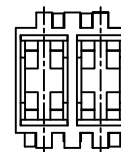
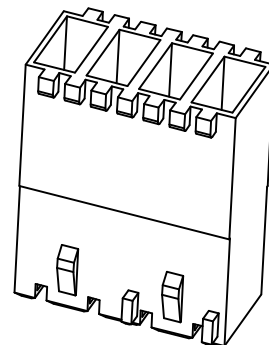
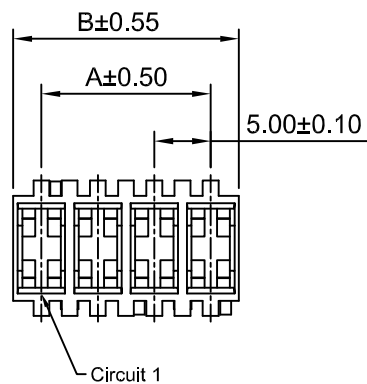


深圳市华德共创科技有限公司

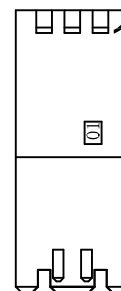
SHENZHEN HUADE CO-CREATE TECHNOLOGY CO.,LTD

TEL : 0755-27129737 FAX : 0755-29940187

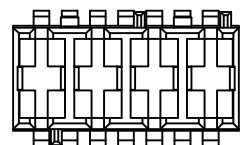
-TOLERANCES- UNLESS OTHERWISE SPECIFIED 公差参数表						TITLE: 5.00mm Pitch Housing 产品名称:			
X.X	±0.30	X.X°	±3°	APPD: 核准:	XIE	PART NO: 产品编号: HDGC7921HDA-XP			
X.XX	±0.30	X.XX°	±2°	CHECK: 校对:	WANG	DATE	SCALE	UNIT	CODE NUMBER
X.XXX	±0.10	X.XXX°	±1°	DRAW: 绘图:	WANG	2014-04-27	1.5:1	mm	A008



3P-12P



2P



A

B

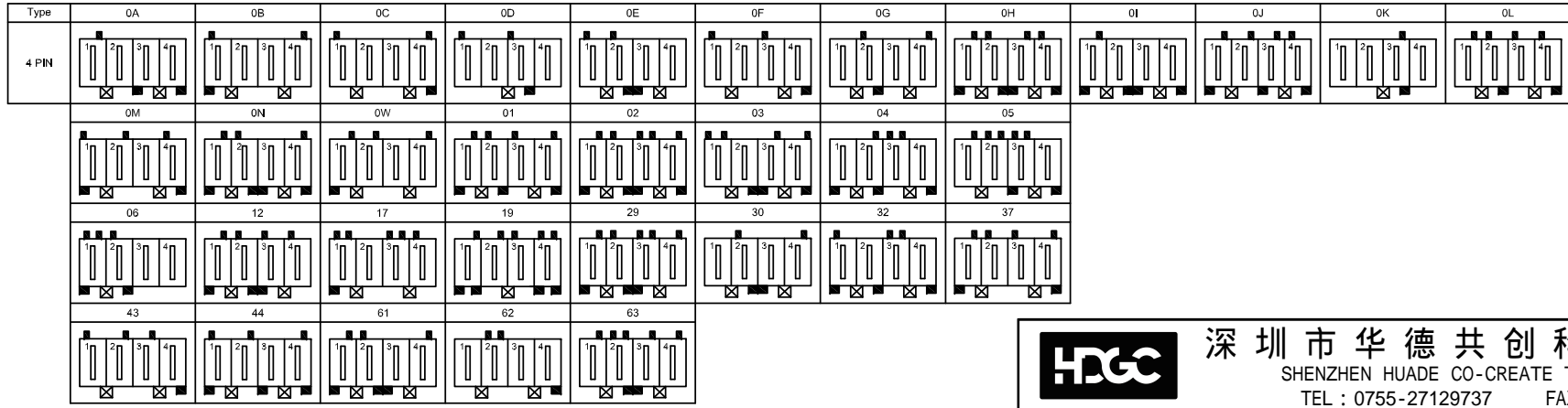
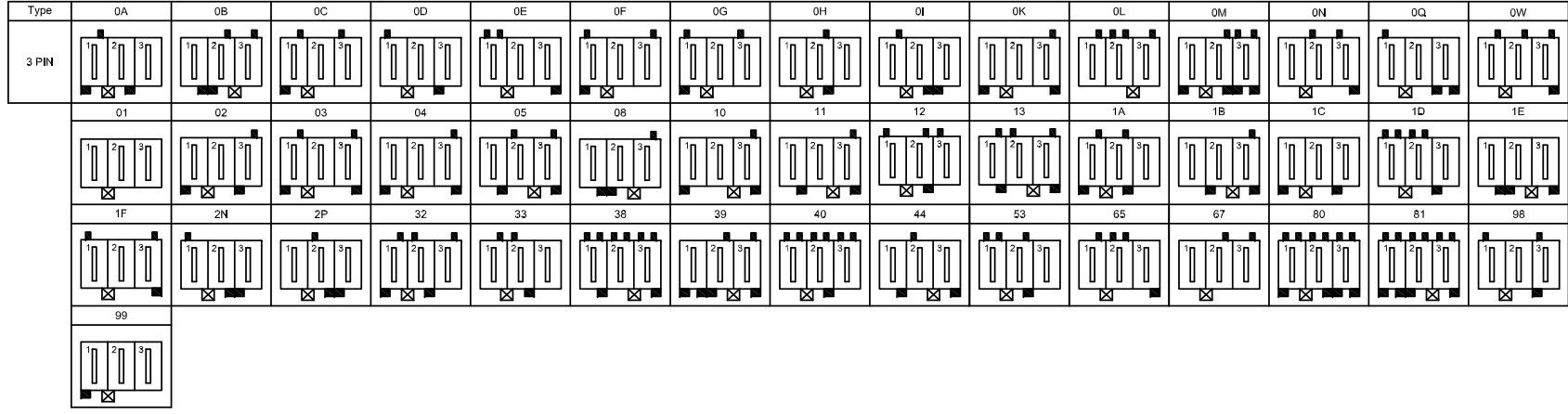
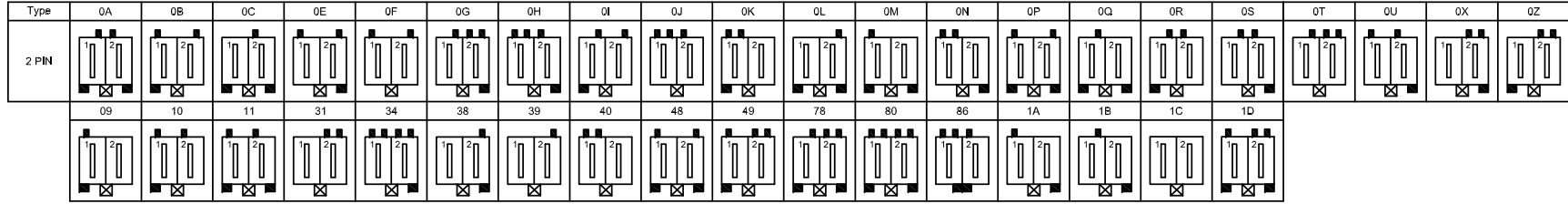
C

D

E

F

修订 REV	标记 MARK	修改摘要 REVISION DESCRIPTION	签名 SIGNATURE	日期 DATE
AO		NEW RELEASE	WANG	2014-04-27

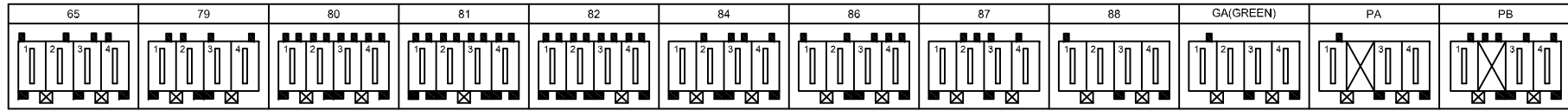


深圳市华德共创科技有限公司

SHENZHEN HUADE CO-CREATE TECHNOLOGY CO.,LTD
TEL : 0755-27129737 FAX : 0755-29940187

-TOLERANCES- UNLESS OTHERWISE SPECIFIED 公差参数表		 	TITLE: 5.00mm Pitch Housing 产品名称: 5.00mm Pitch Housing	
X.X	±0.30	X.X°	±3°	APPD: 核准: XIE
X.XX	±0.30	X.XX°	±2°	CHECK: 校对: WANG
X.XXX	±0.10	X.XXX°	±1°	DRAW: 绘图: WANG
		PART NO: HDGC7921HD/HDA 产品编号:		DATE: 2014-04-27
		SCALE: 1:1	UNIT: mm	CODE NUMBER: A008

修订 REV	标记 MARK	修改摘要 REVISION DESCRIPTION	签名 SIGNATURE	日期 DATE
AO		NEW RELEASE	WANG	2014-04-27



Type	0A	0B	0C	0D	0E	0F	0G	0L	01	02
5 PIN										
	03	04	05	06	07	08	09	11	12	13
	14	17	18	20	21	22	23	24	25	26
	27	28	29	30	31	32	33	34	35	36
	37	38	39	43	44	45	46	49	50	51
	52	53	64	69	73	77	80	81	82	83
	84	85	86	87	88	89	95	PB		



深圳市华德共创科技有限公司

SHENZHEN HUADE CO-CREATE TECHNOLOGY CO.,LTD

TEL : 0755-27129737 FAX : 0755-29940187

-TOLERANCES- UNLESS OTHERWISE SPECIFIED 公差参数表						TITLE: 5.00mm Pitch 产品名称: Housing	
X.X	±0.30	X.X°	±3°	APPD: 核准:	XIE	PART NO: 产品编号: HDGC7921HD/HDA	
X.XX	±0.30	X.XX°	±2°	CHECK: 校对:	WANG	DATE	SCALE
X.XXX	±0.10	X.XXX°	±1°	DRAW: 绘图:	WANG	2014-04-27	1:1
						UNIT	CODE NUMBER
						mm	A008

修订 REV	标记 MARK	修改摘要 REVISION DESCRIPTION	签名 SIGNATURE	日期 DATE
AO		NEW RELEASE	WANG	2014-04-27

Type	0A	0B	0C	0D	0E	0F	01	04
6 PIN								
	06	14	15	21	29	30	35	36
	37	39	42	43	44	46	50	51
	58	59	62	66	71	73	80	81
	82	K06	K07					

Type	0A	0B	1B	0C	0E	03	04
7 PIN							
	14	19	22	23	27	30	31
	32	34	35	38			
	40	41	42	43			
	45	48	49				

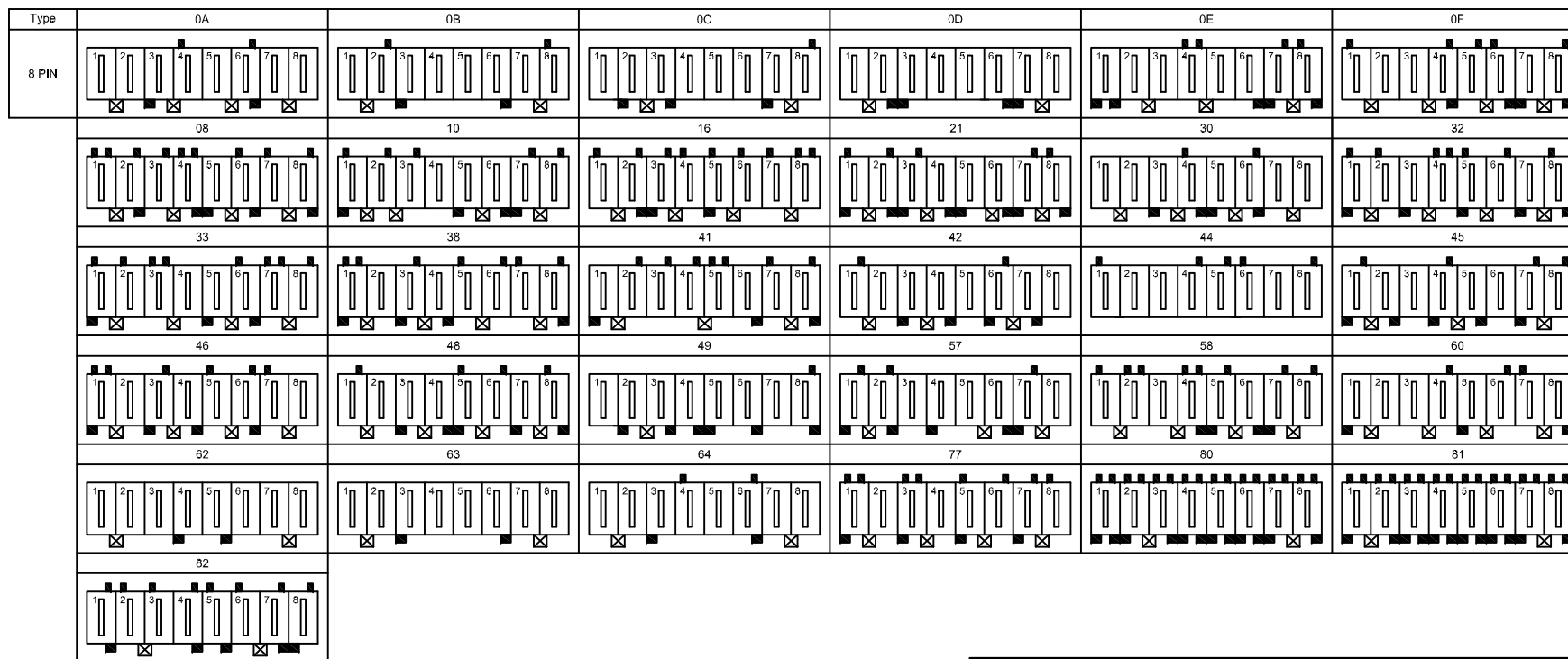
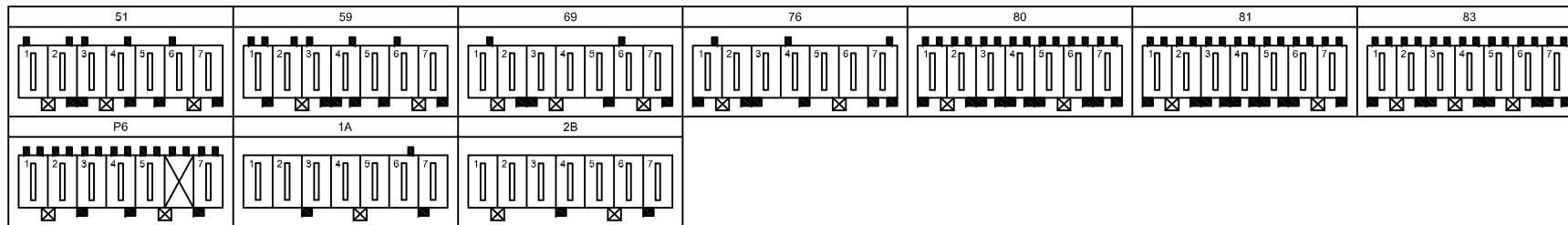


深圳市华德共创科技有限公司

SHENZHEN HUADE CO-CREATE TECHNOLOGY CO.,LTD
TEL : 0755-27129737 FAX : 0755-29940187

-TOLERANCES- UNLESS OTHERWISE SPECIFIED 公差参数表			 	TITLE: 产品名称: 5.00mm Pitch Housing				
X.X	±0.30	X.X°	±3°	APPD: 核准: XIE	PART NO: 产品编号: HDGC7921HD/HDA			
X.XX	±0.30	X.XX°	±2°	CHECK: 校对: WANG	DATE	SCALE	UNIT	CODE NUMBER
X.XXX	±0.10	X.XXX°	±1°	DRAW: 绘图: WANG	2014-04-27	1:1	mm	A008

修订 REV	标记 MARK	修改摘要 REVISION DESCRIPTION	签名 SIGNATURE	日期 DATE
AO		NEW RELEASE	WANG	2014-04-27



深圳市华德共创科技有限公司

SHENZHEN HUADE CO-CREATE TECHNOLOGY CO.,LTD

TEL : 0755-27129737 FAX : 0755-29940187

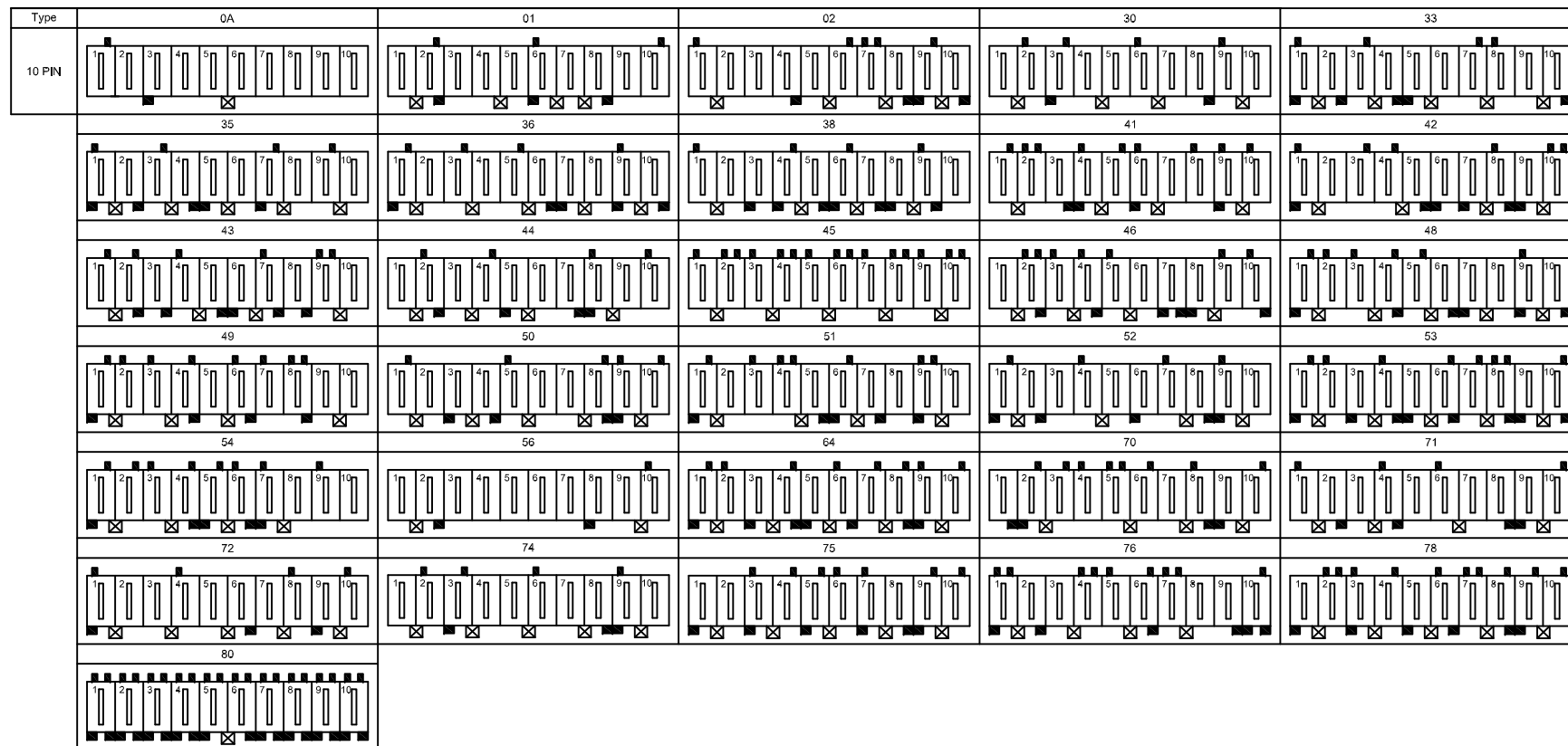
-TOLERANCES- UNLESS OTHERWISE SPECIFIED 公差参数表						TITLE: 5.00mm Pitch Housing 产品名称: 5.00mm Pitch Housing			
X.X	±0.30	X.X°	±3°	APPD: 核准:	XIE	PART NO: 产品编号: HDGC7921HD/HDA			
X.XX	±0.30	X.XX°	±2°	CHECK: 校对:	WANG	DATE	SCALE	UNIT	CODE NUMBER
X.XXX	±0.10	X.XXX°	±1°	DRAW: 绘图:	WANG	2014-04-27	1:1	mm	A008

修订 REV	标记 MARK	修改摘要 REVISION DESCRIPTION	签名 SIGNATURE	日期 DATE
AO		NEW RELEASE	WANG	2014-04-27

Type	0A	0B	0C	0D	0E
9 PIN					
	30	31	32	33	35
	37	38	39	40	42
	43	48	49	52	53
	57	58	59	80	81

		深圳市华德共创科技有限公司 SHENZHEN HUADE CO-CREATE TECHNOLOGY CO.,LTD TEL : 0755-27129737 FAX : 0755-29940187								
		-TOLERANCES- UNLESS OTHERWISE SPECIFIED 公差参数表				TITLE: 5.00mm Pitch Housing 产品名称:				
X.X	±0.30	X.X°	±3°	APPD: 核准:	XIE		PART NO: 产品编号:		HDGC7921HD/HDA	
X.XX	±0.30	X.XX°	±2°	CHECK: 校对:	WANG		DATE	SCALE	UNIT	CODE NUMBER
X.XXX	±0.10	X.XXX°	±1°	DRAW: 绘图:	WANG		2014-04-27	1:1	mm	A008

修订 REV	标记 MARK	修改摘要 REVISION DESCRIPTION	签名 SIGNATURE	日期 DATE
AO		NEW RELEASE	WANG	2014-04-27



		深圳市华德共创科技有限公司 SHENZHEN HUADE CO-CREATE TECHNOLOGY CO.,LTD TEL : 0755-27129737 FAX : 0755-29940187								
		-TOLERANCES- UNLESS OTHERWISE SPECIFIED 公差参数表				TITLE: 5.00mm Pitch Housing 产品名称:				
X.X	±0.30	X.X°	±3°	APPD: 核准:	XIE		PART NO: 产品编号:		HDGC7921HD/HDA	
X.XX	±0.30	X.XX°	±2°	CHECK: 校对:	WANG		DATE	SCALE	UNIT	CODE NUMBER
X.XXX	±0.10	X.XXX°	±1°	DRAW: 绘图:	WANG		2014-04-27	1:1	mm	A008

修订 REV	标记 MARK	修改摘要 REVISION DESCRIPTION	签名 SIGNATURE	日期 DATE
AO		NEW RELEASE	WANG	2014-04-27

Type	0A	0B	0C	01
11 PIN				
	12	13	28	30
	31	32	33	34
	35	36	37	38
	39	40	42	43
	44	45	46	47
	55	60	64	80



深圳市华德共创科技有限公司

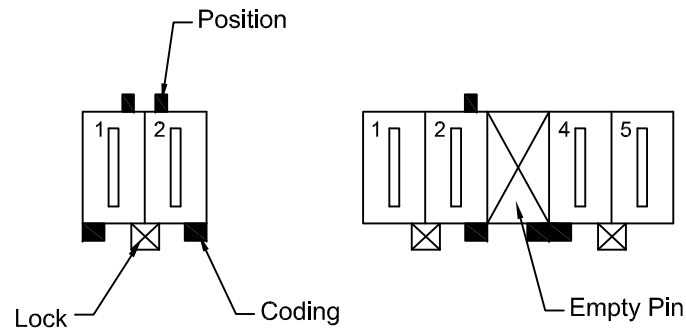
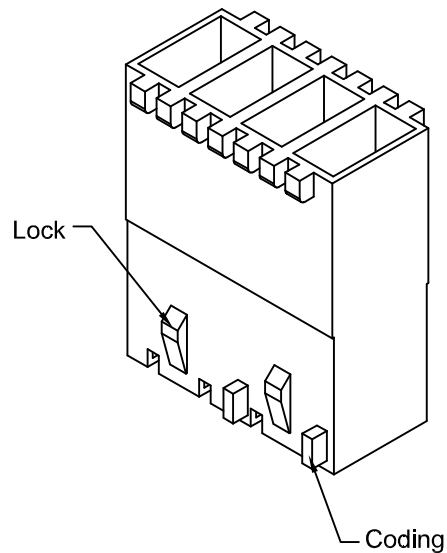
SHENZHEN HUADE CO-CREATE TECHNOLOGY CO.,LTD

TEL : 0755-27129737 FAX : 0755-29940187

-TOLERANCES- UNLESS OTHERWISE SPECIFIED 公差参数表						TITLE: 5.00mm Pitch 产品名称: Housing	
X.X	±0.30	X.X°	±3°	APPD: 核准:	XIE	PART NO: 产品编号: HDGC7921HD/HDA	
X.XX	±0.30	X.XX°	±2°	CHECK: 校对:	WANG	DATE	SCALE
X.XXX	±0.10	X.XXX°	±1°	DRAW: 绘图:	WANG	2014-04-27	1:1
						UNIT	CODE NUMBER
						mm	A008

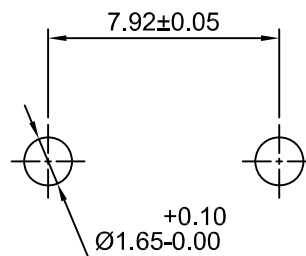
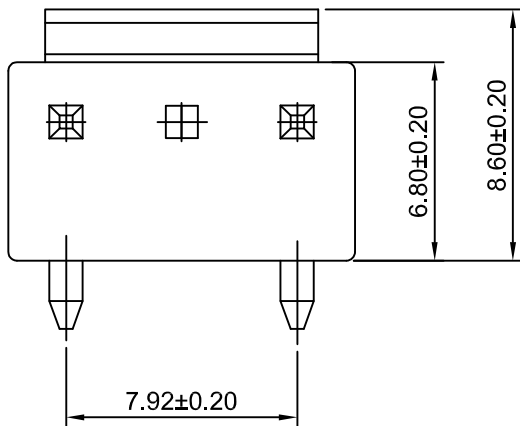
修订 REV	标记 MARK	修改摘要 REVISION DESCRIPTION	签名 SIGNATURE	日期 DATE
AO		NEW RELEASE	WANG	2014-04-27

Type	27	29	30	34
12 PIN				
	42	44	46	47
	48	49	50	59
	60	61	62	65
	76	80	81	

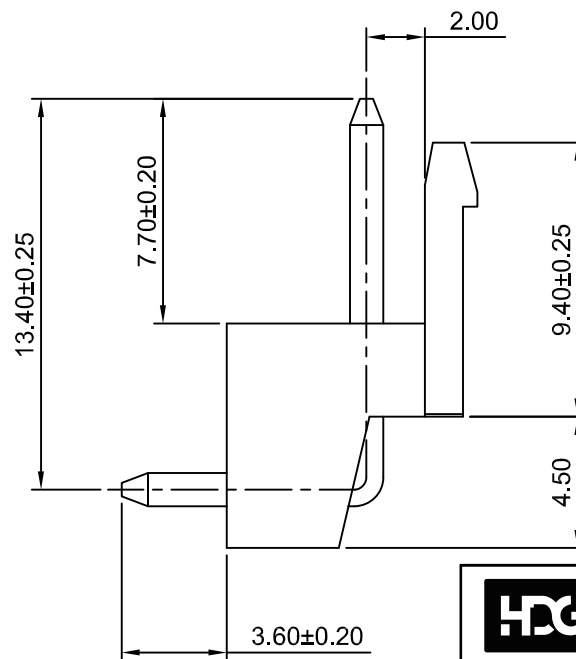
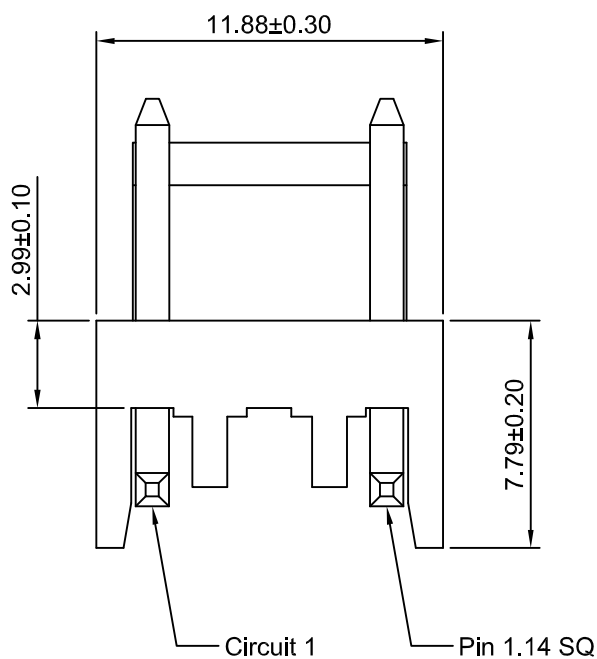


		深圳市华德共创科技有限公司 SHENZHEN HUADE CO-CREATE TECHNOLOGY CO.,LTD TEL : 0755-27129737 FAX : 0755-29940187								
		-TOLERANCES- UNLESS OTHERWISE SPECIFIED 公差参数表				TITLE: 5.00mm Pitch Housing 产品名称:				
X.X	±0.30	X.X°	±3°	APPD: 核准:	XIE					
X.XX	±0.30	X.XX°	±2°	CHECK: 校对:	WANG		DATE	SCALE	UNIT	CODE NUMBER
X.XXX	±0.10	X.XXX°	±1°	DRAW: 绘图:	WANG		2014-04-27	1:1	mm	A008
				PART NO: 产品编号:		HDGC7921HD/HDA				

修订 REV	标记 MARK	修改摘要 REVISION DESCRIPTION	签名 SIGNATURE	日期 DATE
AO		NEW RELEASE	WANG	2013-05-11



P.C.B LAYOUT



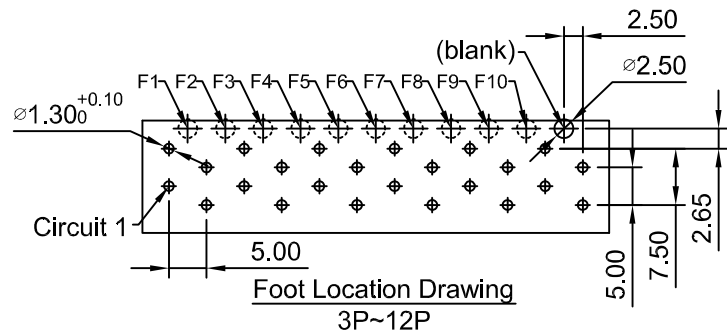
SPECIFICATIONS:

Current Rating: 7A AC,DC
Voltage Rating: 250V AC,DC
Temperature Range: -25°C ~ +85°C
Contact Resistance: 10mΩ Max
Insulation Resistance: 1000MΩ Min
Withstanding Voltage: 1500V AC/minute
Pin Material: Brass/Tin over Nickel
Material: Nylon 66,UL94V-0(White)

HDGC 深圳市华德共创科技有限公司
SHENZHEN HUADE CO-CREATE TECHNOLOGY CO.,LTD
TEL : 0755-27129737 FAX : 0755-29940187

-TOLERANCES- UNLESS OTHERWISE SPECIFIED 公差参数表				 		TITLE: 7.92mm Pitch 产品名称: 90° Wafer			
X.X	±0.30	X.X°	±3°	APPD: 核准:	XIE	PART NO: 产品编号: HDGC7921WRH-2P			
X.XX	±0.30	X.XX°	±2°	CHECK: 校对:	WANG	DATE	SCALE	UNIT	CODE NUMBER
X.XXX	±0.10	X.XXX°	±1°	DRAW: 绘图:	WANG	2013-05-11	4:1	mm	A008

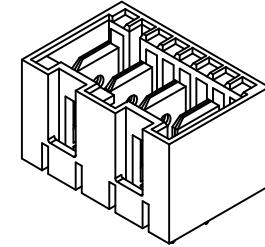
修订 REV	标记 MARK	修改摘要 REVISION DESCRIPTION	签名 SIGNATURE	日期 DATE
AO		NEW RELEASE	WANG	2014-04-27



Ordering Information:

HDGC7921WVA - XP - * - * - * - * - * - *
1 2 3 4 5 6 7

- Part No.
- Circuit number.
- Terminal Finish:
(blank): Tin over Nickel
S: Silver over Nickel
- See the table of next page.
- Foot.
(blank): See the Foot Location Drawing
F1~F10: See the Foot Location Drawing
- Void position:
A: Void position (Odd numbers)
N*.*: Void position (Arbitrarily numbers)
- Terminal Style:
(blank): TYPE 1
TH1~TH12: TYPE 2 (pre-mating protective contact, protruding 1.5mm, possible at any position)



NOTE:

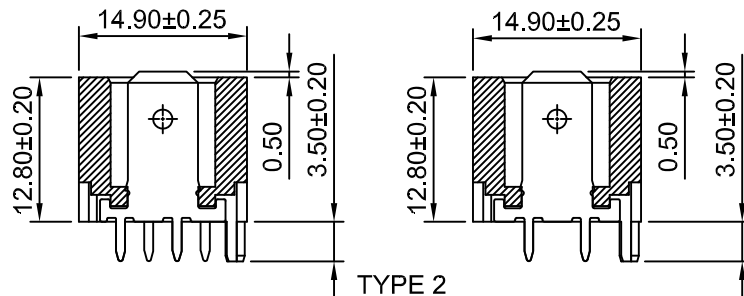
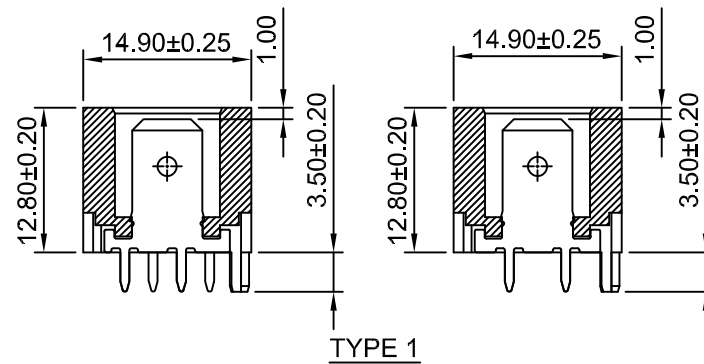
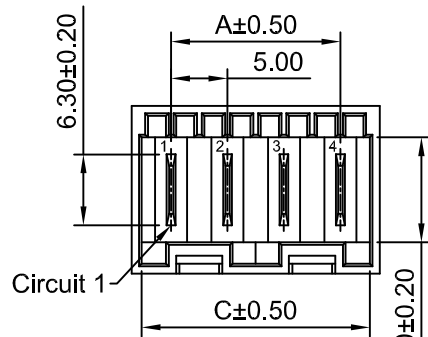
- Material:
Insulator: Nylon 66, UL94V-0, GWT 750°C (Ivory)
Terminal: Brass (Tab is 6.30x0.80)
- Contact:
Tin Plated 80~120u" over Ni 30~50u"
Silver Plated 80~120u" over Ni 30~50u"


SPECIFICATIONS:

Current Rating: 16A AC, DC
Voltage Rating: 380V AC, DC
Temperature Range: -25°C ~ +85°C
Contact Resistance: 20mΩ Max
Insulation Resistance: 1000MΩ Min
Withstanding Voltage: 1800V AC/minute

Ordering Information & Dimensions



Circuits	Dimensions (mm)			Circuits	Dimensions (mm)		
	A	B	C		A	B	C
2P	5.00	12.00	10.20	8P	35.00	42.00	40.20
3P	10.00	17.00	15.20	9P	40.00	47.00	45.20
4P	15.00	22.00	20.20	10P	45.00	52.00	50.20
5P	20.00	27.00	25.20	11P	50.00	57.00	55.20
6P	25.00	32.00	30.20	12P	55.00	62.00	60.20
7P	30.00	37.00	35.20				



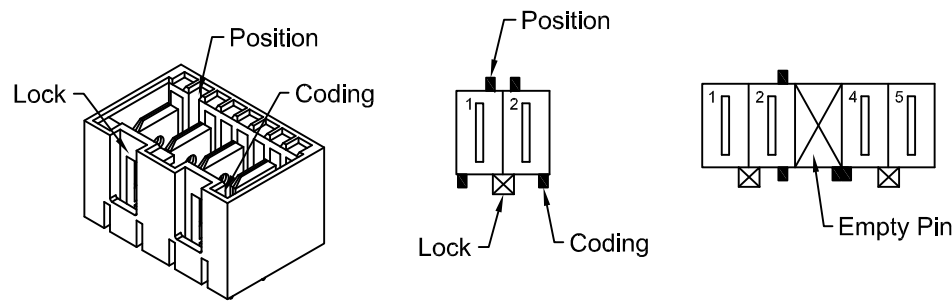
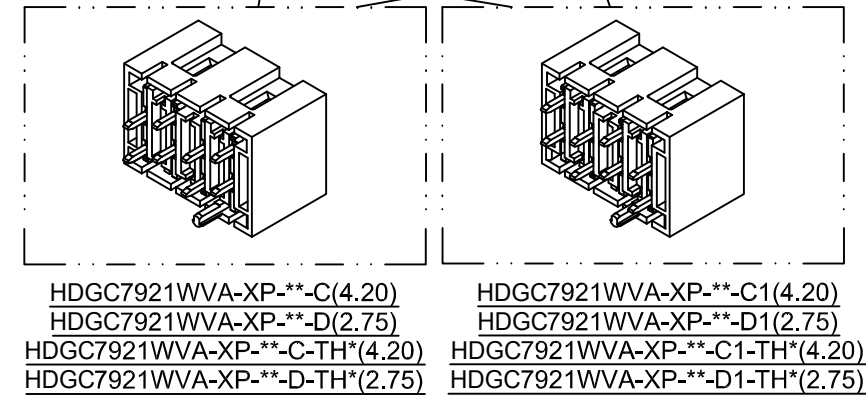
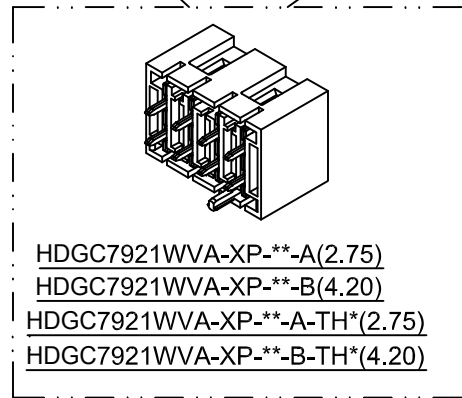
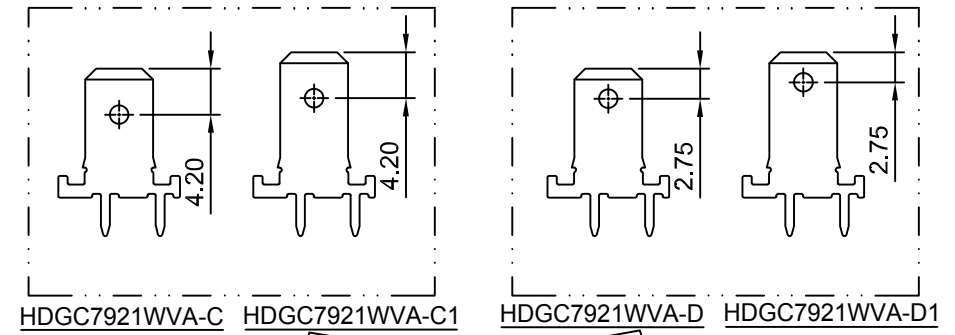
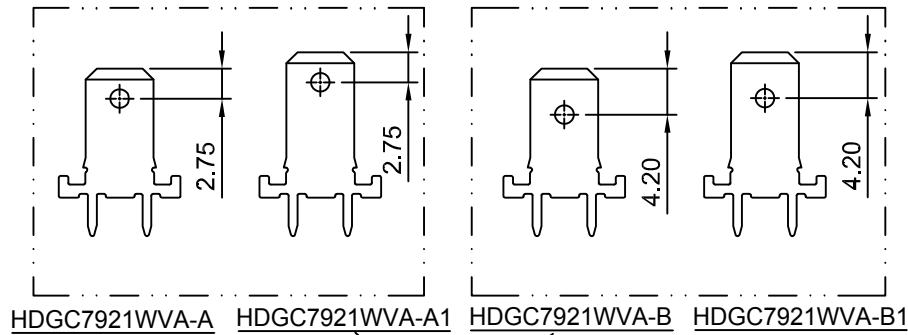


深圳市华德共创科技有限公司

SHENZHEN HUADE CO-CREATE TECHNOLOGY CO., LTD
TEL: 0755-27129737 FAX: 0755-29940187

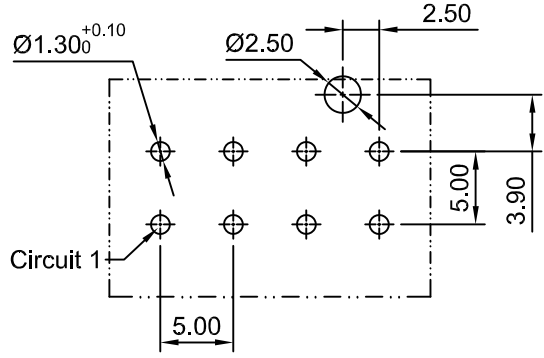
-TOLERANCES- UNLESS OTHERWISE SPECIFIED 公差参数表		 	TITLE: 5.00mm Pitch 产品名称: 180° Wafer	
X.X ±0.30	X.X° ±3°	APPD: 核准: XIE	PART NO: HDGC7921WVA-XP 产品编号:	
X.XX ±0.30	X.XX° ±2°	CHECK: 校对: WANG	DATE	SCALE
X.XXX ±0.10	X.XXX° ±1°	DRAW: 绘图: WANG	2014-04-27	1.5:1
			UNIT	CODE NUMBER
			mm	A008

修订 REV	标记 MARK	修改摘要 REVISION DESCRIPTION	签名 SIGNATURE	日期 DATE
AO		NEW RELEASE	WANG	2014-04-27

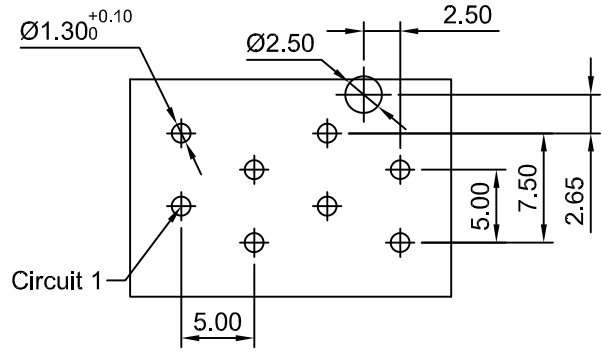


				深圳市华德共创科技有限公司 SHENZHEN HUADE CO-CREATE TECHNOLOGY CO.,LTD TEL : 0755-27129737 FAX : 0755-29940187			
-TOLERANCES- UNLESS OTHERWISE SPECIFIED 公差参数表						TITLE: 5.00mm Pitch 产品名称: 180° Wafer	
X.X	±0.30	X.X°	±3°	APPD: 核准:	XIE		
X.XX	±0.30	X.XX°	±2°	CHECK: 校对:	WANG		
X.XXX	±0.10	X.XXX°	±1°	DRAW: 绘图:	WANG		
				PART NO: 产品编号:		HDGC7921WVA	
				DATE	SCALE	UNIT	CODE NUMBER
				2014-04-27	1.5:1	mm	A008

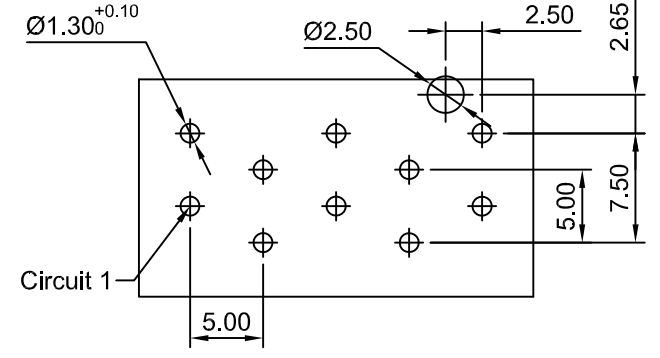
修订 REV	标记 MARK	修改摘要 REVISION DESCRIPTION	签名 SIGNATURE	日期 DATE
AO		NEW RELEASE	WANG	2014-04-27



P.C.B LAYOUT-COMPONENT SIDE
HDGC7921WVA-XP-**-A(2.75)
HDGC7921WVA-XP-**-B(4.20)
HDGC7921WVA-XP-**-A-TH*(2.75)
HDGC7921WVA-XP-**-B-TH*(4.20)

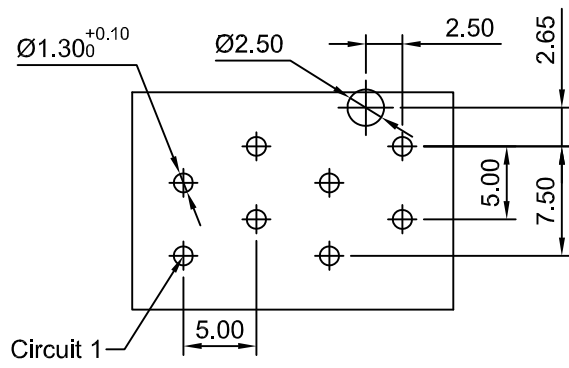


Even numbers

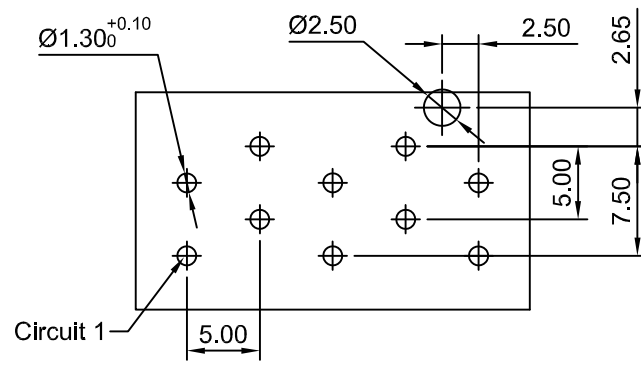


ODD numbers

P.C.B LAYOUT-COMPONENT SIDE
HDGC7921WVA-XP-**-C(4.20)
HDGC7921WVA-XP-**-D(2.75)
HDGC7921WVA-XP-**-C-TH*(4.20)
HDGC7921WVA-XP-**-D-TH*(2.75)



Even numbers

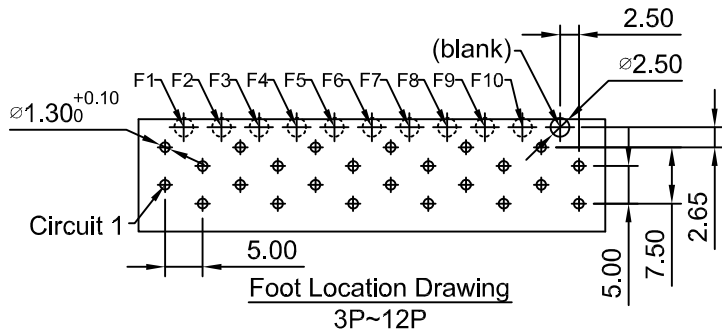


ODD numbers

P.C.B LAYOUT-COMPONENT SIDE
HDGC7921WVA-XP-**-C1(4.20)
HDGC7921WVA-XP-**-D1(2.75)
HDGC7921WVA-XP-**-C1-TH*(4.20)
HDGC7921WVA-XP-**-D1-TH*(2.75)

 深圳市华德共创科技有限公司 SHENZHEN HUADE CO-CREATE TECHNOLOGY CO.,LTD TEL : 0755-27129737 FAX : 0755-29940187				TITLE: 5.00mm Pitch 产品名称: 180° Wafer				
				PART NO: HDGC7921WVA 产品编号:				
-TOLERANCES- UNLESS OTHERWISE SPECIFIED 公差参数表								
X.X	±0.30	X.X°	±3°	APPD: 核准: XIE	DATE	SCALE	UNIT	CODE NUMBER
X.XX	±0.30	X.XX°	±2°	CHECK: 校对: WANG	2014-04-27	1.5:1	mm	A008
X.XXX	±0.10	X.XXX°	±1°	DRAW: 绘图: WANG				

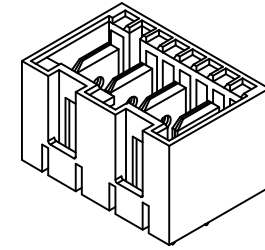
修订 REV	标记 MARK	修改摘要 REVISION DESCRIPTION	签名 SIGNATURE	日期 DATE
AO		NEW RELEASE	WANG	2014-04-27



Ordering Information:

HDGC7921WVB - XP - * - * - * - * - * - *
1 2 3 4 5 6 7

- Part No.
- Circuit number.
- Terminal Finish:
(blank): Tin over Nickel
S: Silver over Nickel
- See the table of next page.
- Foot:
(blank): See the Foot Location Drawing
F1~F10: See the Foot Location Drawing
- Void position:
A: Void position (Odd numbers)
N*: * *: Void position (Arbitrarily numbers)
- Terminal Style:
(blank): TYPE 1
TH1~TH12: TYPE 2 (pre-mating protective contact, protruding 1.5mm, possible at any position)



NOTE:

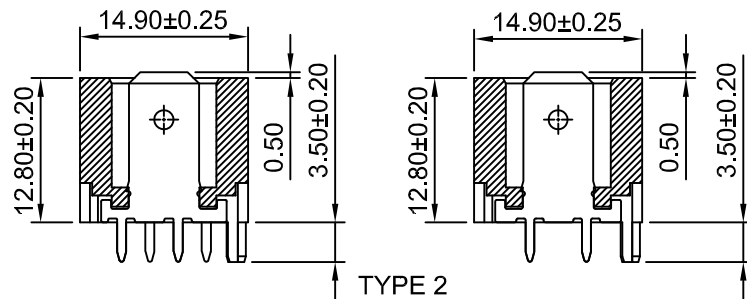
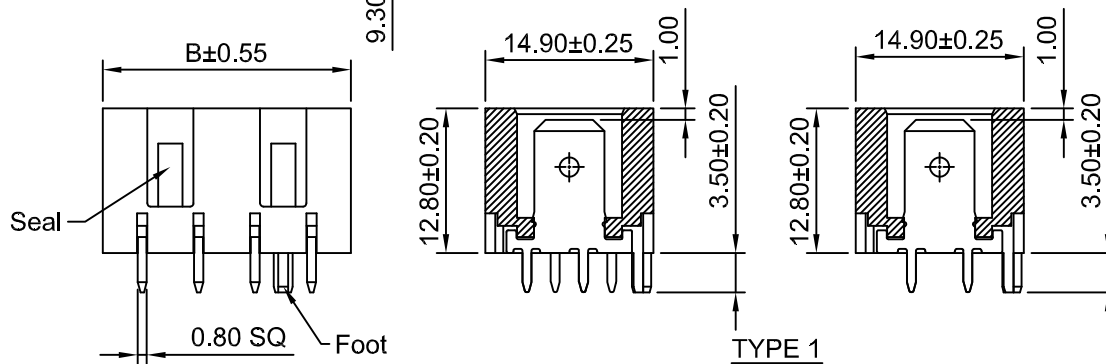
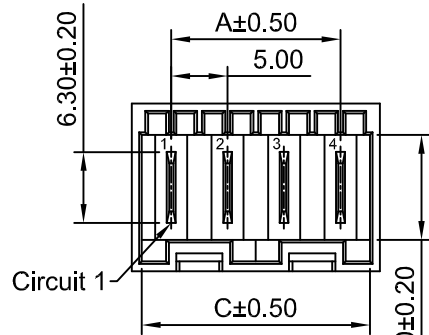
- Material:
Insulator: Nylon 66, UL94V-0, GWT 750°C (Ivory)
Terminal: Brass (Tab is 6.30x0.80)
- Contact:
Tin Plated 80~120u" over Ni 30~50u"
Silver Plated 80~120u" over Ni 30~50u"

SPECIFICATIONS:

Current Rating: 16A AC, DC
Voltage Rating: 380V AC, DC
Temperature Range: -25°C ~ +85°C
Contact Resistance: 20mΩ Max
Insulation Resistance: 1000MΩ Min
Withstanding Voltage: 1800V AC/minute

Ordering Information & Dimensions

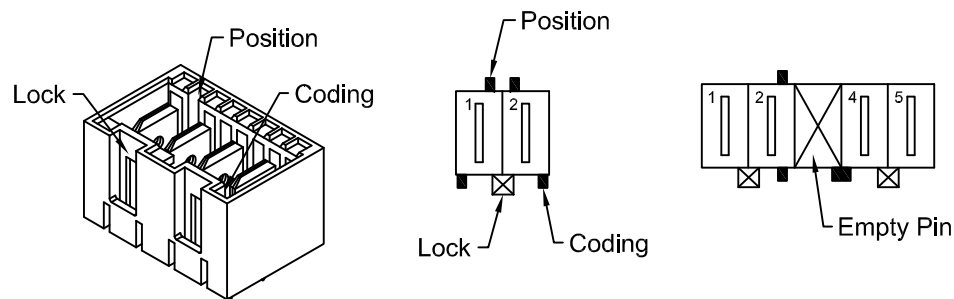
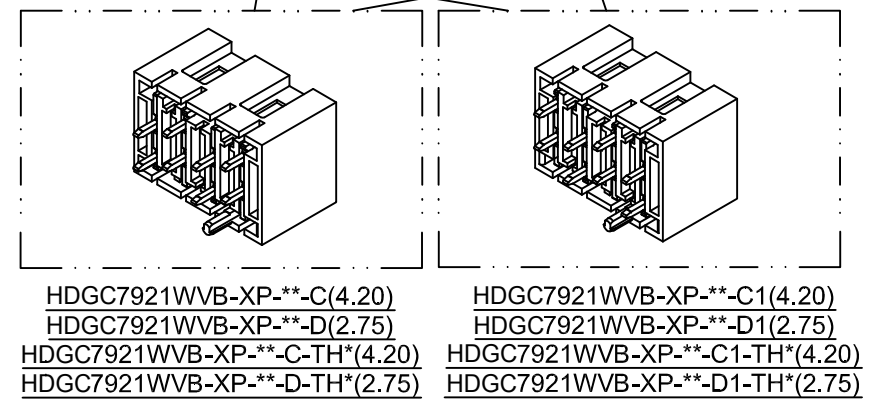
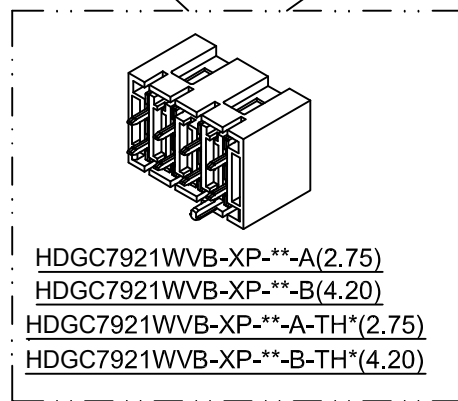
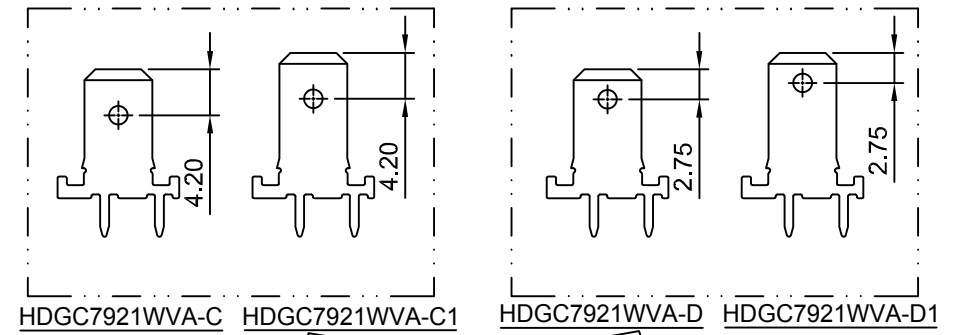
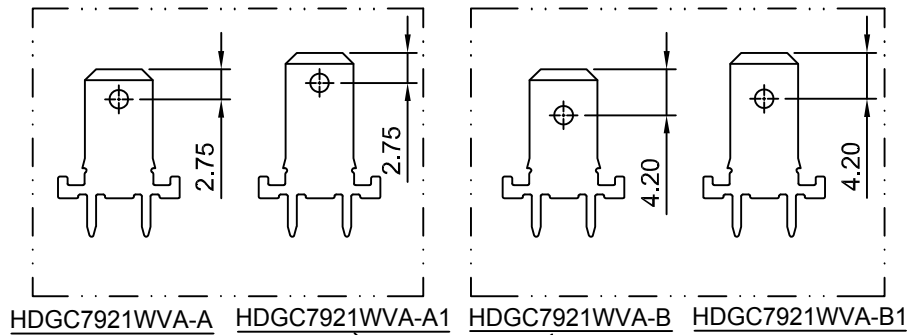
Circuits	Dimensions(mm)			Circuits	Dimensions(mm)		
	A	B	C		A	B	C
2P	5.00	12.00	10.20	8P	35.00	42.00	40.20
3P	10.00	17.00	15.20	9P	40.00	47.00	45.20
4P	15.00	22.00	20.20	10P	45.00	52.00	50.20
5P	20.00	27.00	25.20	11P	50.00	57.00	55.20
6P	25.00	32.00	30.20	12P	55.00	62.00	60.20
7P	30.00	37.00	35.20				



HDGC 深圳市华德共创科技有限公司
SHENZHEN HUADE CO-CREATE TECHNOLOGY CO., LTD
TEL: 0755-27129737 FAX: 0755-29940187

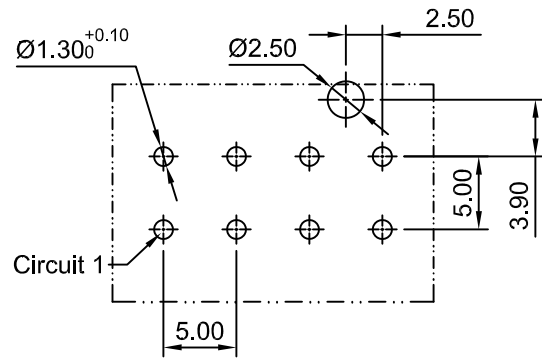
-TOLERANCES- UNLESS OTHERWISE SPECIFIED 公差参数表				TITLE: 产品名称: 5.00mm Pitch 180° Wafer	
X.X	±0.30	X.X°	±3°	APPD: 核准:	XIE
X.XX	±0.30	X.XX°	±2°	CHECK: 校对:	WANG
X.XXX	±0.10	X.XXX°	±1°	DRAW: 绘图:	WANG
PART NO: 产品编号:		HDGC7921WVB-XP			
DATE	SCALE	UNIT	CODE NUMBER		
2014-04-27	1.5:1	mm	A008		

修订 REV	标记 MARK	修改摘要 REVISION DESCRIPTION	签名 SIGNATURE	日期 DATE
AO		NEW RELEASE	WANG	2014-04-27

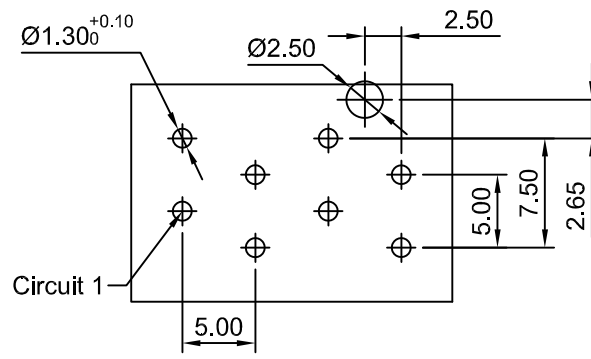


				深圳市华德共创科技有限公司 SHENZHEN HUADE CO-CREATE TECHNOLOGY CO.,LTD TEL : 0755-27129737 FAX : 0755-29940187			
-TOLERANCES- UNLESS OTHERWISE SPECIFIED 公差参数表						TITLE: 5.00mm Pitch 产品名称: 180° Wafer	
X.X	±0.30	X.X°	±3°	APPD: 核准:	XIE	PART NO: 产品编号: HDGC7921WVB	
X.XX	±0.30	X.XX°	±2°	CHECK: 校对:	WANG	DATE	SCALE
X.XXX	±0.10	X.XXX°	±1°	DRAW: 绘图:	WANG	2014-04-27	UNIT
						mm	CODE NUMBER
						1.5:1	A008

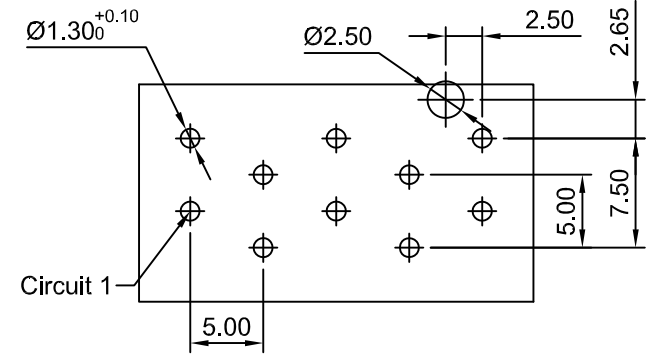
修订 REV	标记 MARK	修改摘要 REVISION DESCRIPTION	签名 SIGNATURE	日期 DATE
AO		NEW RELEASE	WANG	2014-04-27



P.C.B LAYOUT-COMPONENT SIDE
HDGC7921WVB-XP-**-A(2.75)
HDGC7921WVB-XP-**-B(4.20)
HDGC7921WVB-XP-**-A-TH*(2.75)
HDGC7921WVB-XP-**-B-TH*(4.20)

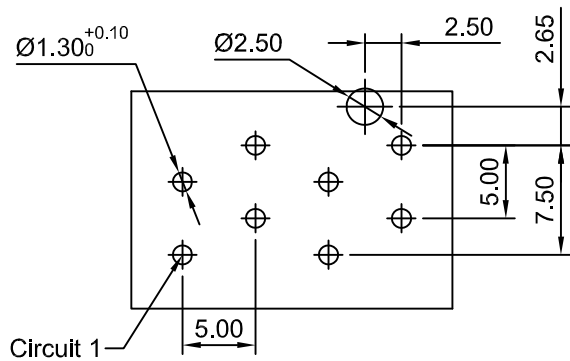


Even numbers

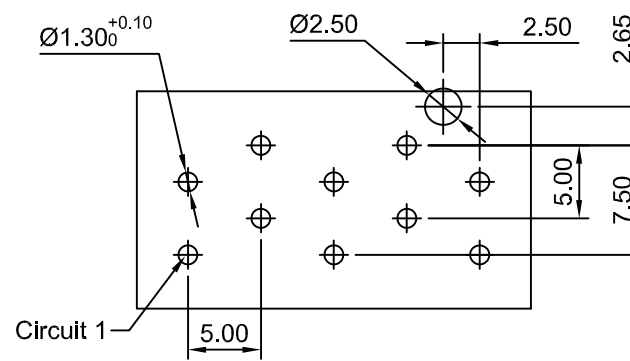


ODD numbers

P.C.B LAYOUT-COMPONENT SIDE
HDGC7921WVB-XP-**-C(4.20)
HDGC7921WVB-XP-**-D(2.75)
HDGC7921WVB-XP-**-C-TH*(4.20)
HDGC7921WVB-XP-**-D-TH*(2.75)



Even numbers



ODD numbers

P.C.B LAYOUT-COMPONENT SIDE
HDGC7921WVB-XP-**-C1(4.20)
HDGC7921WVB-XP-**-D1(2.75)
HDGC7921WVB-XP-**-C1-TH*(4.20)
HDGC7921WVB-XP-**-D1-TH*(2.75)



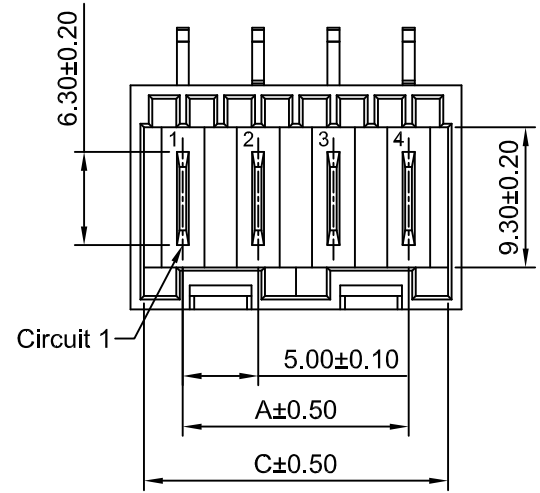
深圳市华德共创科技有限公司

SHENZHEN HUADE CO-CREATE TECHNOLOGY CO.,LTD

TEL : 0755-27129737 FAX : 0755-29940187

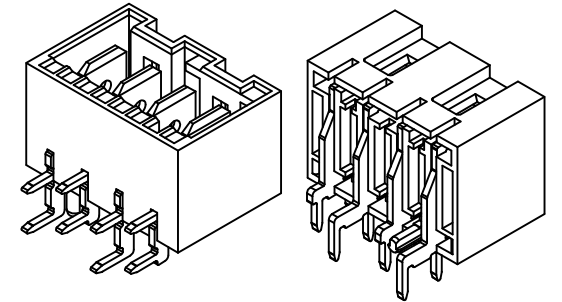
-TOLERANCES- UNLESS OTHERWISE SPECIFIED 公差参数表						TITLE: 5.00mm Pitch 产品名称: 180° Wafer			
X.X	±0.30	X.X°	±3°	APPD: 核准:	XIE	PART NO: 产品编号: HDGC7921WVB			
X.XX	±0.30	X.XX°	±2°	CHECK: 校对:	WANG	DATE	SCALE	UNIT	CODE NUMBER
X.XXX	±0.10	X.XXX°	±1°	DRAW: 绘图:	WANG	2014-04-27	1.5:1	mm	A008

修订 REV	标记 MARK	修改摘要 REVISION DESCRIPTION	签名 SIGNATURE	日期 DATE
AO		NEW RELEASE	WANG	2014-04-27

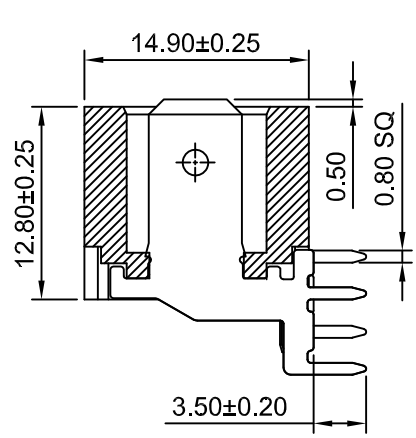
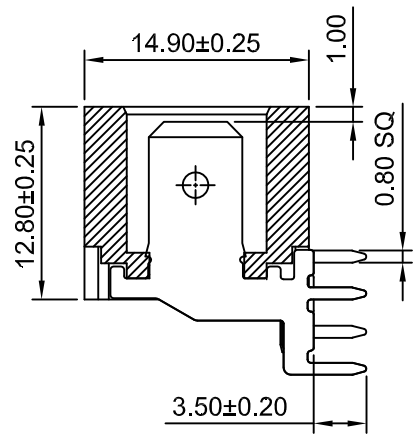
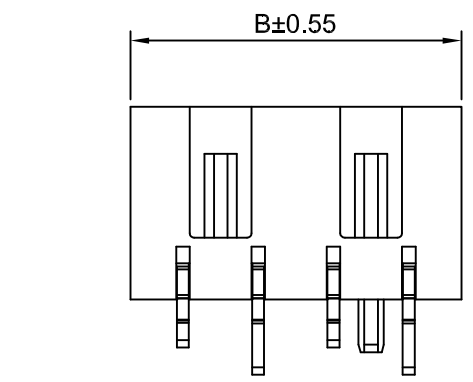


Ordering Information:
 HDGC7921WRA - XP - * - * - * - * - * - *
 1 2 3 4 5 6 7

- Part No.
- Circuit number.
- Terminal Finish:
 (blank): Tin over Nickel
 S: Silver over Nickel
- See the table of next page.
- Void position:
 A: Void position (Odd numbers)
 N*: * *: Void position (Arbitrarily numbers)
- Terminal Style:
 (blank): TYPE 1
 TH1~TH12: TYPE 2 (pre-mating protective contact, protruding 1.5mm, possible at any position)
- Material:
 (blank): Nylon 66, UL94V-0, GWT 750°C (Ivory)
 GWT: Nylon 66, UL94V-0, GWT 850°C (Ivory)



NOTE:
 1. Material:
 Insulator: Nylon 66, UL94V-0, GWT 750°C (Ivory)
 Terminal: Brass (Tab is 6.30x0.80)
 2. Contact:
 Tin Plated 80~120u" over Ni 30~50u"
 Silver Plated 80~120u" over Ni 30~50u"



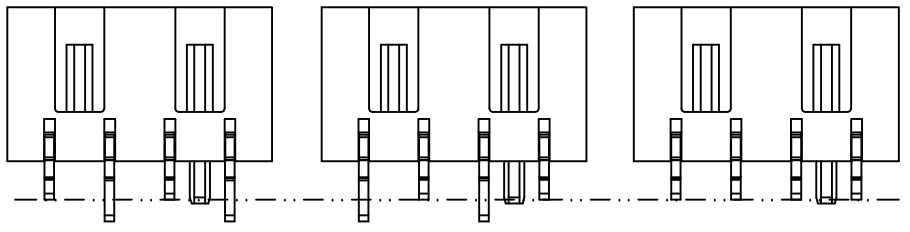
TYPE 1

TYPE 2

SPECIFICATIONS:
 Current Rating: 16A AC, DC
 Voltage Rating: 380V AC, DC
 Temperature Range: -25°C ~ +85°C
 Contact Resistance: 20mΩ Max
 Insulation Resistance: 1000MΩ Min
 Withstanding Voltage: 1800V AC/minute

Ordering Information & Dimensions


Circuits	Dimensions(mm)			Circuits	Dimensions(mm)		
	A	B	C		A	B	C
2P	5.00	12.00	10.20	8P	35.00	42.00	40.20
3P	10.00	17.00	15.20	9P	40.00	47.00	45.20
4P	15.00	22.00	20.20	10P	45.00	52.00	50.20
5P	20.00	27.00	25.20	11P	50.00	57.00	55.20
6P	25.00	32.00	30.20	12P	55.00	62.00	60.20
7P	30.00	37.00	35.20				




HDGC7921WRA-XP-* - **

HDGC7921WRA-XP-* - ** - 2

HDGC7921WRA-XP-* - ** - 3



深圳市华德共创科技有限公司
 SHENZHEN HUADE CO-CREATE TECHNOLOGY CO., LTD
 TEL : 0755-27129737 FAX : 0755-29940187

-TOLERANCES- UNLESS OTHERWISE SPECIFIED 公差参数表			TITLE: 5.00mm Pitch 产品名称: 90° Wafer		
X.X ±0.30	X.X° ±3°	APPD: 核准: XIE	PART NO: HDGC7921WRA-XP 产品编号:		
X.XX ±0.30	X.XX° ±2°	CHECK: 校对: WANG	DATE	SCALE	UNIT
X.XXX ±0.10	X.XXX° ±1°	DRAW: 绘图: WANG	2014-04-27	1.5:1	mm
			CODE NUMBER	A008	

修订 REV	标记 MARK	修改摘要 REVISION DESCRIPTION	签名 SIGNATURE	日期 DATE
AO		NEW RELEASE	WANG	2014-04-27

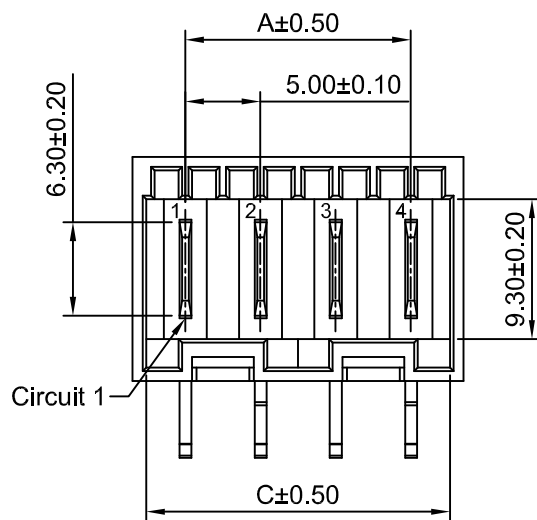
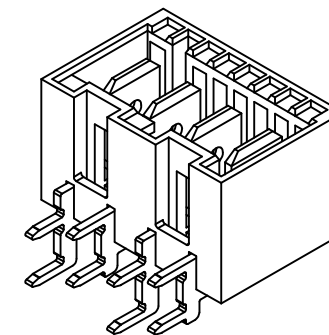
NOTE:

- Material:
Insulator:Nylon 66,UL94V-0,GWT 750°C(Ivory)
Terminal:Brass(Tab is 6.30x0.80)
- Contact:
Tin Plated 80~120u" over Ni 30~50u"min
Silver Plated 80~120u" over Ni 30~50u" min

Ordering Information:

HDGC7921WRA - RH - XP - * - ** - *** - *** - ***
1 2 3 4 5 6 7 8

- Part No.
- Reverse Type
- Circuit number.
- Terminal Finish:
(blank):Tin over Nickel
S:Silver over Nickel
- See the table of next page.
- Void position:
A:Void position(Odd numbers)
N*: *:Void position(Arbitrarily numbers)
- Terminal Style:
(blank):TYPE 1
TH1~TH12:TYPE 2(pre-mating protective contact, protruding 1.5mm, possible at any position)
- Material:
(blank):Nylon 66,UL94V-0,GWT 750°C(Ivory)
GWT:Nylon 66,UL94V-0,GWT 850°C(Ivory)

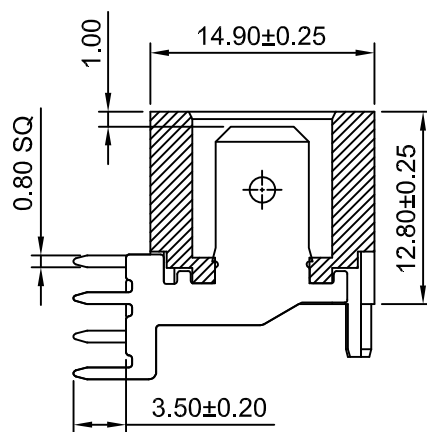
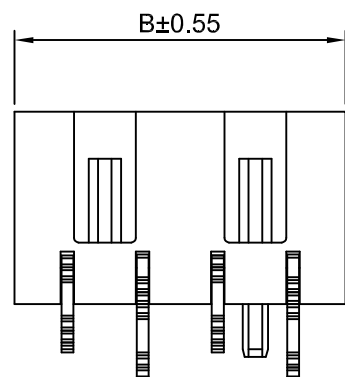


SPECIFICATIONS:

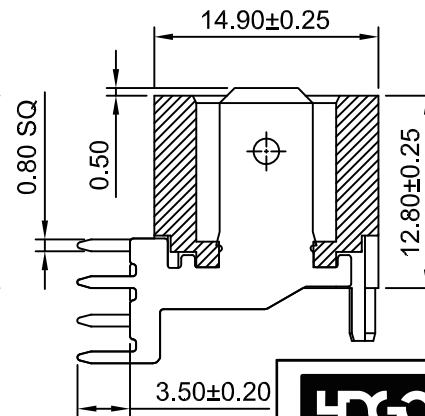
Current Rating: 16A AC,DC
Voltage Rating: 380V AC,DC
Temperature Range: -25°C ~ +85°C
Contact Resistance: 20mΩ Max
Insulation Resistance: 1000MΩ Min
Withstanding Voltage: 1800V AC/minute

Ordering Information & Dimensions

Circuits	Dimensions(mm)			Circuits	Dimensions(mm)		
	A	B	C		A	B	C
2P	5.00	12.00	10.20	8P	35.00	42.00	40.20
3P	10.00	17.00	15.20	9P	40.00	47.00	45.20
4P	15.00	22.00	20.20	10P	45.00	52.00	50.20
5P	20.00	27.00	25.20	11P	50.00	57.00	55.20
6P	25.00	32.00	30.20	12P	55.00	62.00	60.20
7P	30.00	37.00	35.20				



TYPE 1



TYPE 2



深圳市华德共创科技有限公司

SHENZHEN HUADE CO-CREATE TECHNOLOGY CO.,LTD

TEL : 0755-27129737 FAX : 0755-29940187

-TOLERANCES- UNLESS OTHERWISE SPECIFIED 公差参数表						TITLE: 5.00mm Pitch 产品名称: 90° Wafer	
X.X	±0.30	X.X°	±3°	APPD: 核准:	XIE	PART NO: 产品编号: HDGC7921WRA-RH-XP	
X.XX	±0.30	X.XX°	±2°	CHECK: 校对:	WANG	DATE	SCALE
X.XXX	±0.10	X.XXX°	±1°	DRAW: 绘图:	WANG	2014-04-27	1.5:1
						UNIT	CODE NUMBER
						mm	A008

修订 REV	标记 MARK	修改摘要 REVISION DESCRIPTION	签名 SIGNATURE	日期 DATE
AO		NEW RELEASE	WANG	2014-04-27

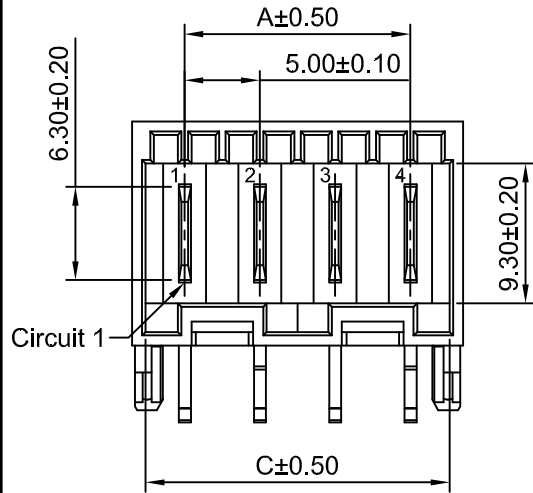
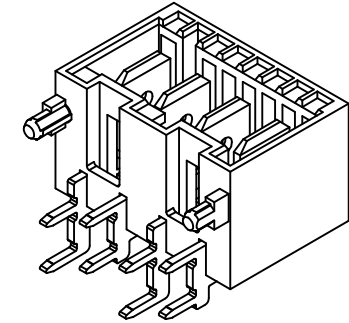
NOTE:

- Material:
Insulator:Nylon 66,UL94V-0,GWT 750°C(Ivory)
Terminal:Brass(Tab is 6.30x0.80)
- Contact:
Tin Plated 80~120u" over Ni 30~50u"
Silver Plated 80~120u" over Ni 30~50u"

Ordering Information:

HDGC7921WRA - RH - F - XP - * - ** - *** - *** - ***
 1 2 3 4 5 6 7 8 9

- Part No.
- Reverse Type
- Foot
- Circuit number.
- Terminal Finish:
(blank):Tin over Nickel
S:Silver over Nickel
- See the table of next page.
- Void position:
A:Void position(Odd numbers)
N*.*:Void position(Arbitrarily numbers)
- Terminal Style:
(blank):TYPE 1
TH1~TH12:TYPE 2(pre-mating protective contact, protruding 1.5mm, possible at any position)
- Material:
(blank):Nylon 66,UL94V-0,GWT 750°C(Ivory)
GWT:Nylon 66,UL94V-0,GWT 850°C(Ivory)

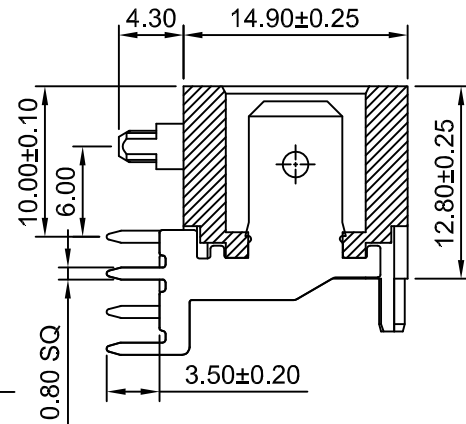
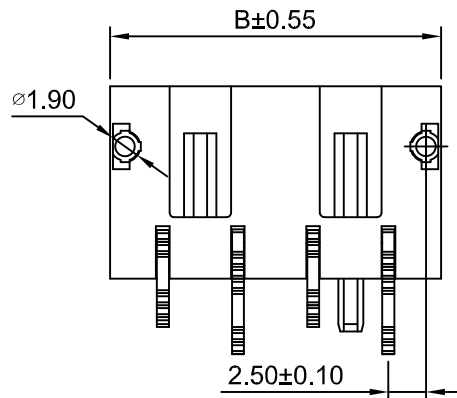


SPECIFICATIONS:

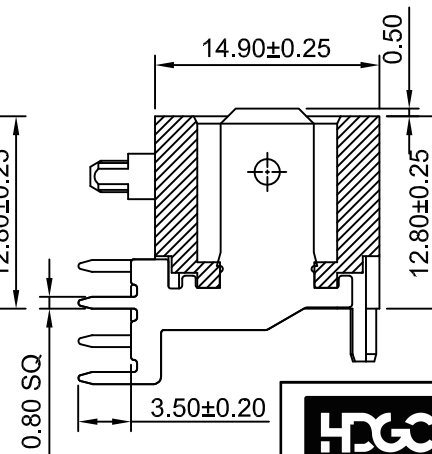
- Current Rating: 16A AC,DC
- Voltage Rating: 380V AC,DC
- Temperature Range: -25°C ~ +85°C
- Contact Resistance: 20mΩ Max
- Insulation Resistance: 1000MΩ Min
- Withstanding Voltage: 1800V AC/minute

Ordering Information & Dimensions

Circuits	Dimensions(mm)			Circuits	Dimensions(mm)		
	A	B	C		A	B	C
2P	5.00	12.00	10.20	8P	35.00	42.00	40.20
3P	10.00	17.00	15.20	9P	40.00	47.00	45.20
4P	15.00	22.00	20.20	10P	45.00	52.00	50.20
5P	20.00	27.00	25.20	11P	50.00	57.00	55.20
6P	25.00	32.00	30.20	12P	55.00	62.00	60.20
7P	30.00	37.00	35.20				



TYPE 1



TYPE 2



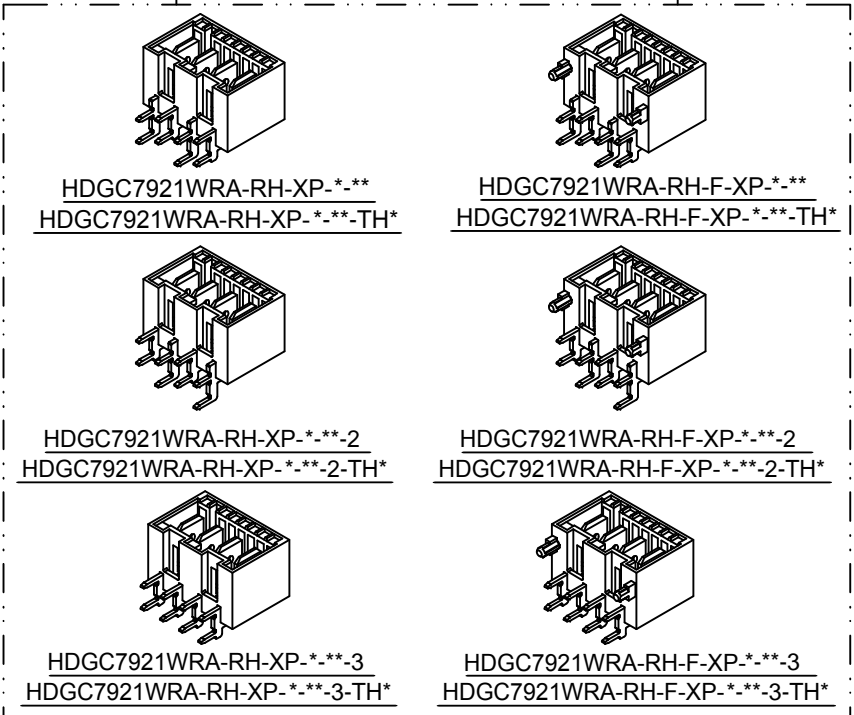
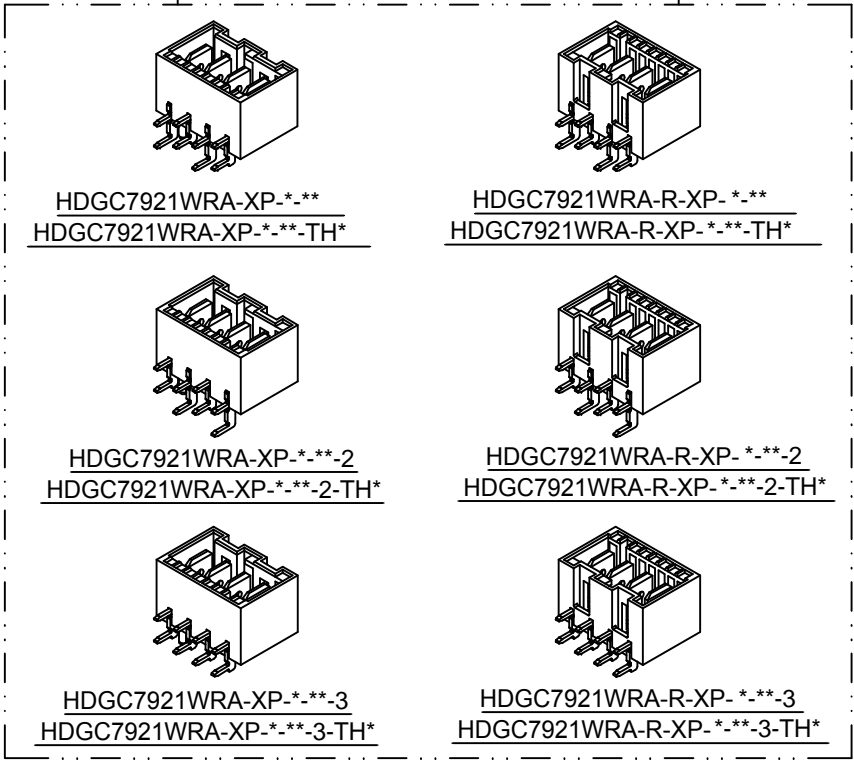
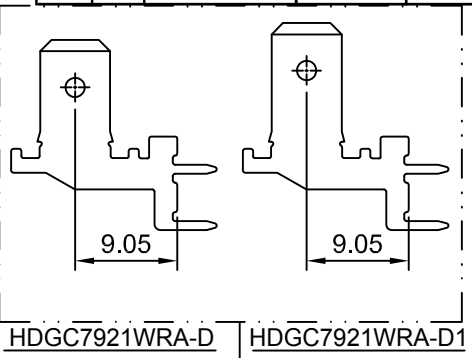
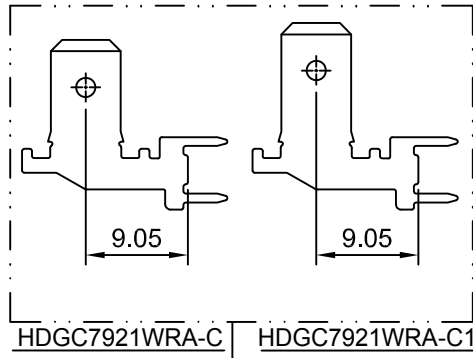
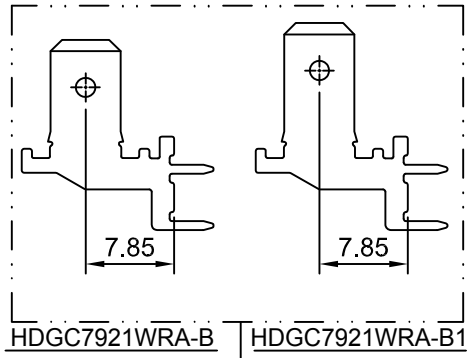
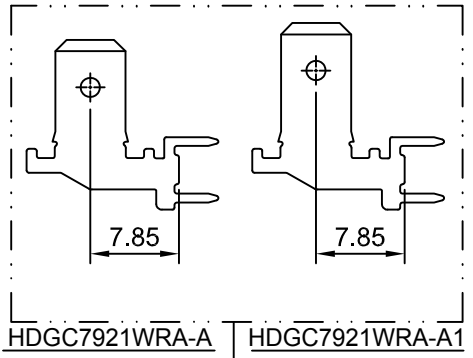
深圳市华德共创科技有限公司

SHENZHEN HUADE CO-CREATE TECHNOLOGY CO.,LTD

TEL : 0755-27129737 FAX : 0755-29940187

-TOLERANCES- UNLESS OTHERWISE SPECIFIED 公差参数表						TITLE: 5.00mm Pitch 产品名称: 90° Wafer			
X.X	±0.30	X.X°	±3°	APPD: 核准:	XIE	PART NO: 产品编号: HDGC7921WRA-RH-F-XP			
X.XX	±0.30	X.XX°	±2°	CHECK: 校对:	WANG	DATE	SCALE	UNIT	CODE NUMBER
X.XXX	±0.10	X.XXX°	±1°	DRAW: 绘图:	WANG	2014-04-27	1.5:1	mm	A008

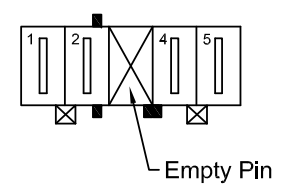
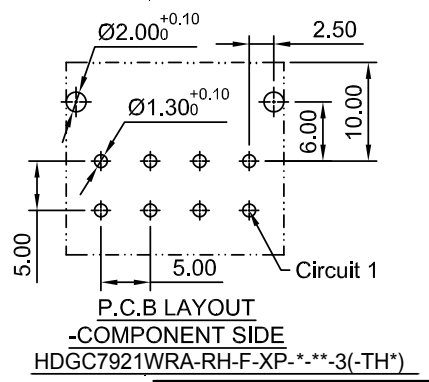
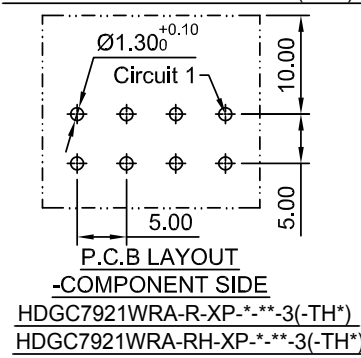
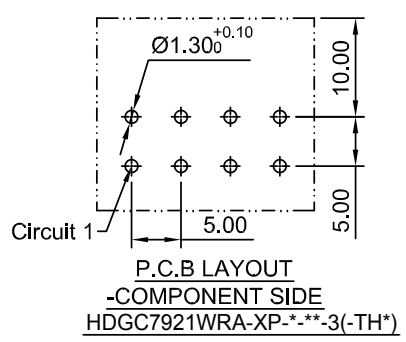
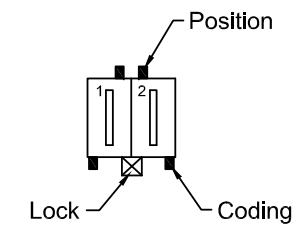
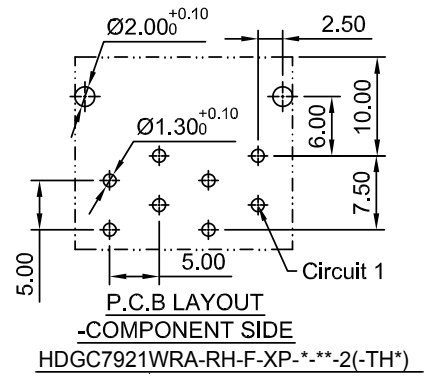
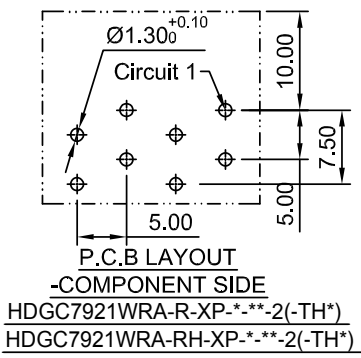
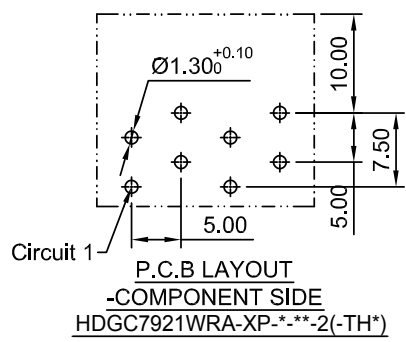
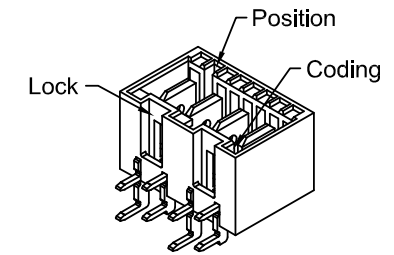
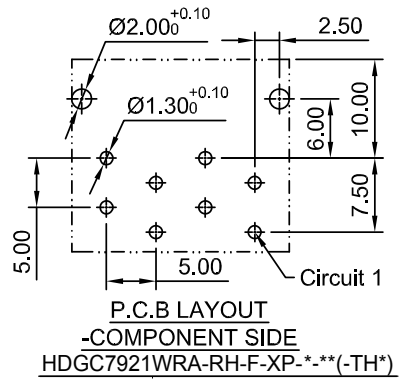
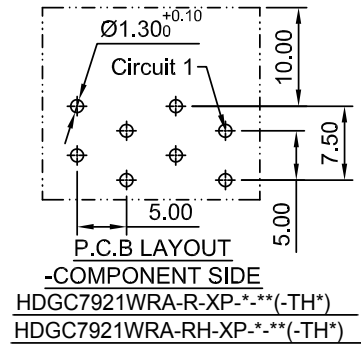
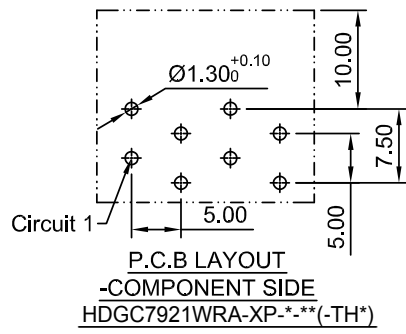
修订 REV	标记 MARK	修改摘要 REVISION DESCRIPTION	签名 SIGNATURE	日期 DATE
AO		NEW RELEASE	WANG	2014-04-27



HDGC 深圳市华德共创科技有限公司
 SHENZHEN HUADE CO-CREATE TECHNOLOGY CO.,LTD
 TEL : 0755-27129737 FAX : 0755-29940187

-TOLERANCES- UNLESS OTHERWISE SPECIFIED 公差参数表					TITLE: 5.00mm Pitch 产品名称: 90° Wafer					
X.X	±0.30	X.X°	±3°	APPD: 核准:	XIE		PART NO: 产品编号: HDGC7921WRA			
X.XX	±0.30	X.XX°	±2°	CHECK: 校对:	WANG		DATE	SCALE	UNIT	CODE NUMBER
X.XXX	±0.10	X.XXX°	±1°	DRAW: 绘图:	WANG		2014-04-27	1.5:1	mm	A008

修订 REV	标记 MARK	修改摘要 REVISION DESCRIPTION	签名 SIGNATURE	日期 DATE
AO		NEW RELEASE	WANG	2014-04-27



HDGC 深圳市华德共创科技有限公司
SHENZHEN HUADE CO-CREATE TECHNOLOGY CO.,LTD
TEL : 0755-27129737 FAX : 0755-29940187


-TOLERANCES- UNLESS OTHERWISE SPECIFIED 公差参数表						TITLE: 5.00mm Pitch 产品名称: 90° Wafer	
X.X	±0.30	X.X°	±3°	APPD: 核准:	XIE	PART NO: 产品编号: HDGC7921WRA	
X.XX	±0.30	X.XX°	±2°	CHECK: 校对:	WANG	DATE	SCALE UNIT CODE NUMBER
X.XXX	±0.10	X.XXX°	±1°	DRAW: 绘图:	WANG	2014-04-27	1:1 mm A008

修订 REV	标记 MARK	修改摘要 REVISION DESCRIPTION	签名 SIGNATURE	日期 DATE
AO		NEW RELEASE	WANG	2014-04-27

Type	0A	0B	0C	0E	0F	0G	0H	0I	0J	0K	0L	0M	0N	0P	0Q	0R	0S	0T	0U	0X	0Z
2 PIN																					
	09	10	11	31	34	38	39	40	48	49	78	80	86	1A	1B	1C	1D				



Type	0A	0B	0C	0D	0E	0F	0G	0H	0I	0K	0L	0M	0N	0Q	0W
3 PIN															
	01	02	03	04	05	08	10	11	12	13	1A	1B	1C	1D	1E
	1F	2N	2P	32	33	38	39	40	44	53	65	67	80	81	98
	99														

Type	0A	0B	0C	0D	0E	0F	0G	0H	0I	0J	0K	0L
4 PIN												
	0M	0N	0W	01	02	03	04	05				
	06	12	17	19	29	30	32	37				
	43	44	61	62	63							

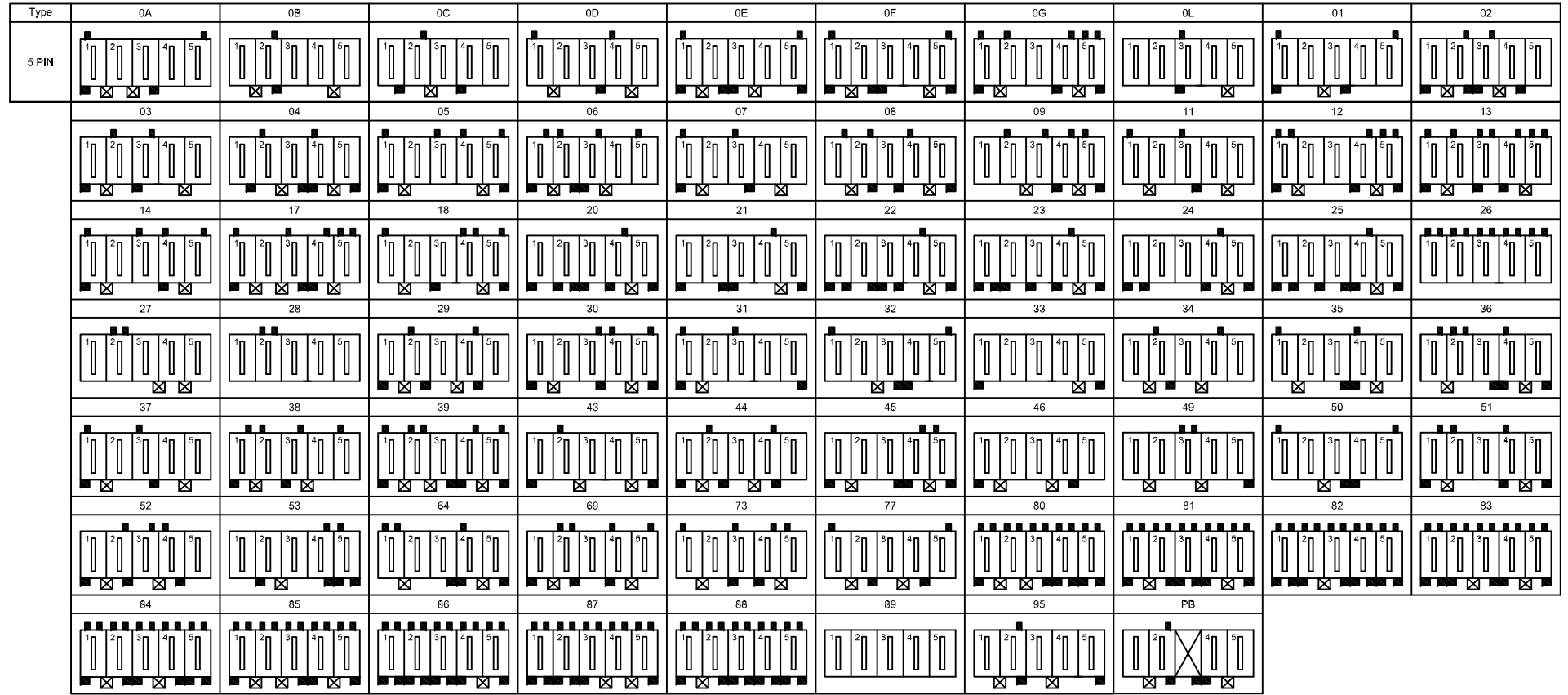
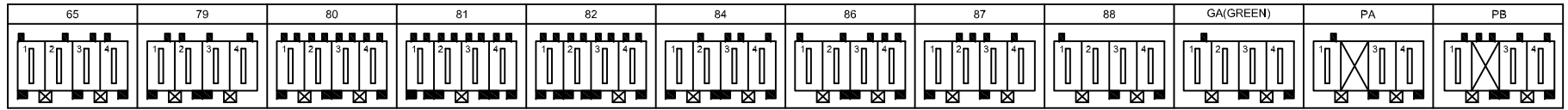



深圳市华德共创科技有限公司

SHENZHEN HUADE CO-CREATE TECHNOLOGY CO.,LTD
TEL : 0755-27129737 FAX : 0755-29940187

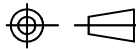
-TOLERANCES- UNLESS OTHERWISE SPECIFIED 公差参数表			 		TITLE: 5.00mm Pitch 产品名称: 180° /90° Wafer			
X.X	±0.30	X.X°	±3°	APPD: 核准:	XIE			
X.XX	±0.30	X.XX°	±2°	CHECK: 校对:	WANG			
X.XXX	±0.10	X.XXX°	±1°	DRAW: 绘图:	WANG			
PART NO: 产品编号:		DATE		SCALE	UNIT	CODE NUMBER		
HDGC7921WVA/WVB/WRA		2014-04-27		1:1	mm	A008		

修订 REV	标记 MARK	修改摘要 REVISION DESCRIPTION	签名 SIGNATURE	日期 DATE
AO		NEW RELEASE	WANG	2014-04-27





深圳市华德共创科技有限公司
 SHENZHEN HUADE CO-CREATE TECHNOLOGY CO.,LTD
 TEL : 0755-27129737 FAX : 0755-29940187

-TOLERANCES- UNLESS OTHERWISE SPECIFIED 公差参数表				TITLE: 5.00mm Pitch 产品名称: 180° /90° Wafer							
X.X	±0.30	X.X°	±3°	APPD: 核准:	XIE			PART NO: 产品编号:	HDGC7921WVA/WVB/WRA		
X.XX	±0.30	X.XX°	±2°	CHECK: 校对:	WANG			DATE	SCALE	UNIT	CODE NUMBER
X.XXX	±0.10	X.XXX°	±1°	DRAW: 绘图:	WANG			2014-04-27	1:1	mm	A008

修订 REV	标记 MARK	修改摘要 REVISION DESCRIPTION	签名 SIGNATURE	日期 DATE
AO		NEW RELEASE	WANG	2014-04-27

Type	0A	0B	0C	0D	0E	0F	01	04
6 PIN								
	06	14	15	21	29	30	35	36
	37	39	42	43	44	46	50	51
	58	59	62	66	71	73	80	81
82	K06	K07	ZH1	ZH2				

Type	0A	0B	1B	0C	0E	03	04
7 PIN							
	14	19	22	23	27	30	31
	32	34	35	38			
	40	41	42	43			
45	48	49					

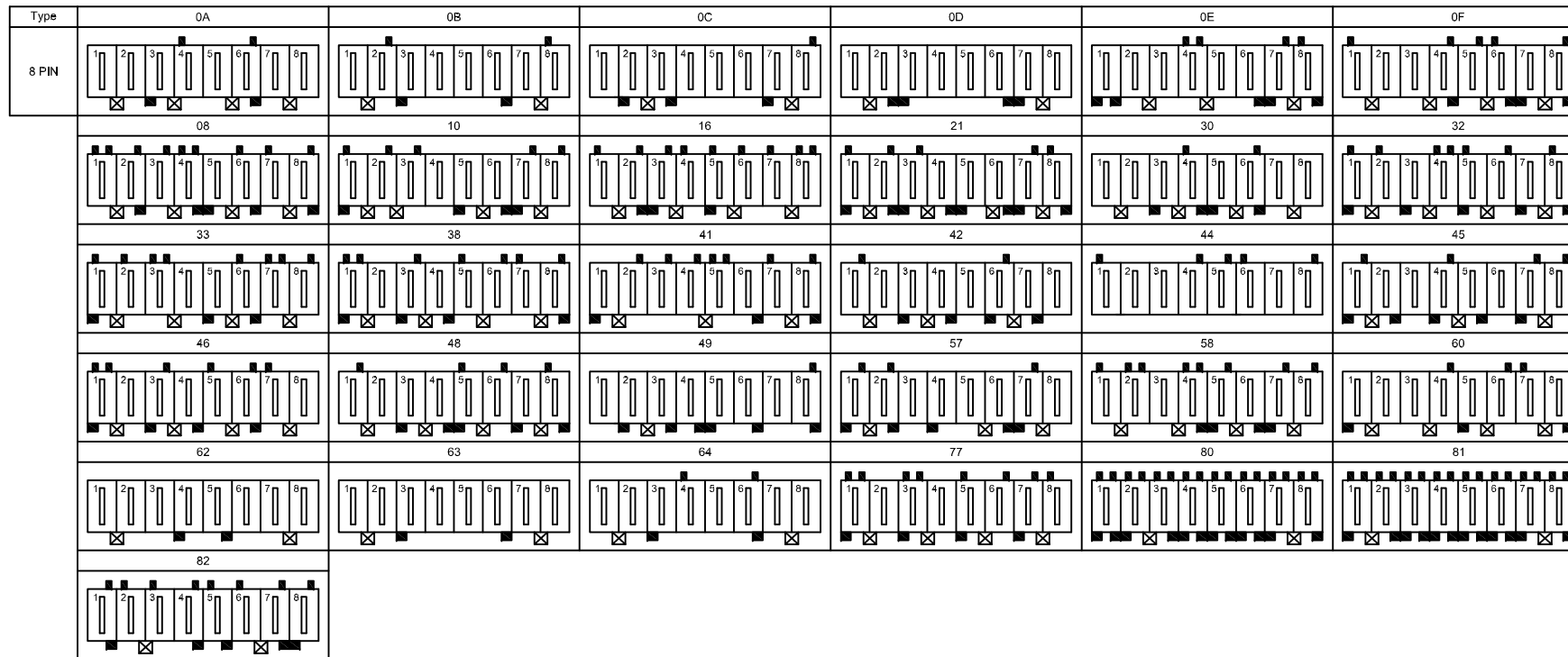
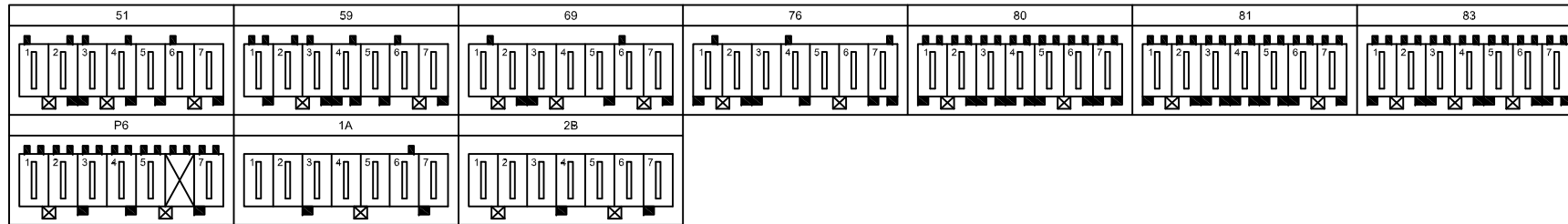
深圳市华德共创科技有限公司


SHENZHEN HUADE CO-CREATE TECHNOLOGY CO.,LTD

TEL : 0755-27129737 FAX : 0755-29940187

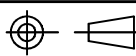
-TOLERANCES- UNLESS OTHERWISE SPECIFIED 公差参数表					TITLE: 5.00mm Pitch				
					产品名称: 180°/90° Wafer				
X.X	±0.30	X.X°	±3°	APPD: 核准:	XIE				
X.XX	±0.30	X.XX°	±2°	CHECK: 校对:	WANG				
X.XXX	±0.10	X.XXX°	±1°	DRAW: 绘图:	WANG				
					PART NO: 产品编号:		HDGC7921WVA/WVB/WRA		
					DATE	SCALE	UNIT	CODE NUMBER	
					2014-04-27	1:1	mm	A008	

修订 REV	标记 MARK	修改摘要 REVISION DESCRIPTION	签名 SIGNATURE	日期 DATE
AO		NEW RELEASE	WANG	2014-04-27





深圳市华德共创科技有限公司
 SHENZHEN HUADE CO-CREATE TECHNOLOGY CO.,LTD
 TEL : 0755-27129737 FAX : 0755-29940187

-TOLERANCES- UNLESS OTHERWISE SPECIFIED 公差参数表						TITLE: 5.00mm Pitch 产品名称: 180° /90° Wafer			
X.X	±0.30	X.X°	±3°	APPD: 核准:	XIE	PART NO: 产品编号: HDGC7921WVA/WVB/WRA			
X.XX	±0.30	X.XX°	±2°	CHECK: 校对:	WANG	DATE	SCALE	UNIT	CODE NUMBER
X.XXX	±0.10	X.XXX°	±1°	DRAW: 绘图:	WANG	2014-04-27	1:1	mm	A008

修订 REV	标记 MARK	修改摘要 REVISION DESCRIPTION	签名 SIGNATURE	日期 DATE
AO		NEW RELEASE	WANG	2014-04-27

Type	0A	0B	0C	0D	0E
9 PIN					
	30	31	32	33	35
	37	38	39	40	42
	43	48	49	52	53
	57	58	59	80	81



深圳市华德共创科技有限公司

SHENZHEN HUADE CO-CREATE TECHNOLOGY CO.,LTD
TEL : 0755-27129737 FAX : 0755-29940187

-TOLERANCES- UNLESS OTHERWISE SPECIFIED 公差参数表						TITLE: 5.00mm Pitch 产品名称: 180° /90° Wafer	
X.X	±0.30	X.X°	±3°	APPD: 核准:	XIE	PART NO: 产品编号: HDGC7921WVA/WVB/WRA	
X.XX	±0.30	X.XX°	±2°	CHECK: 校对:	WANG	DATE	SCALE
X.XXX	±0.10	X.XXX°	±1°	DRAW: 绘图:	WANG	2014-04-27	1:1
						UNIT	CODE NUMBER
						mm	A008

修订 REV	标记 MARK	修改摘要 REVISION DESCRIPTION	签名 SIGNATURE	日期 DATE
AO		NEW RELEASE	WANG	2014-04-27

Type	0A	01	02	30	33
10 PIN					



深圳市华德共创科技有限公司
 SHENZHEN HUADE CO-CREATE TECHNOLOGY CO.,LTD
 TEL : 0755-27129737 FAX : 0755-29940187

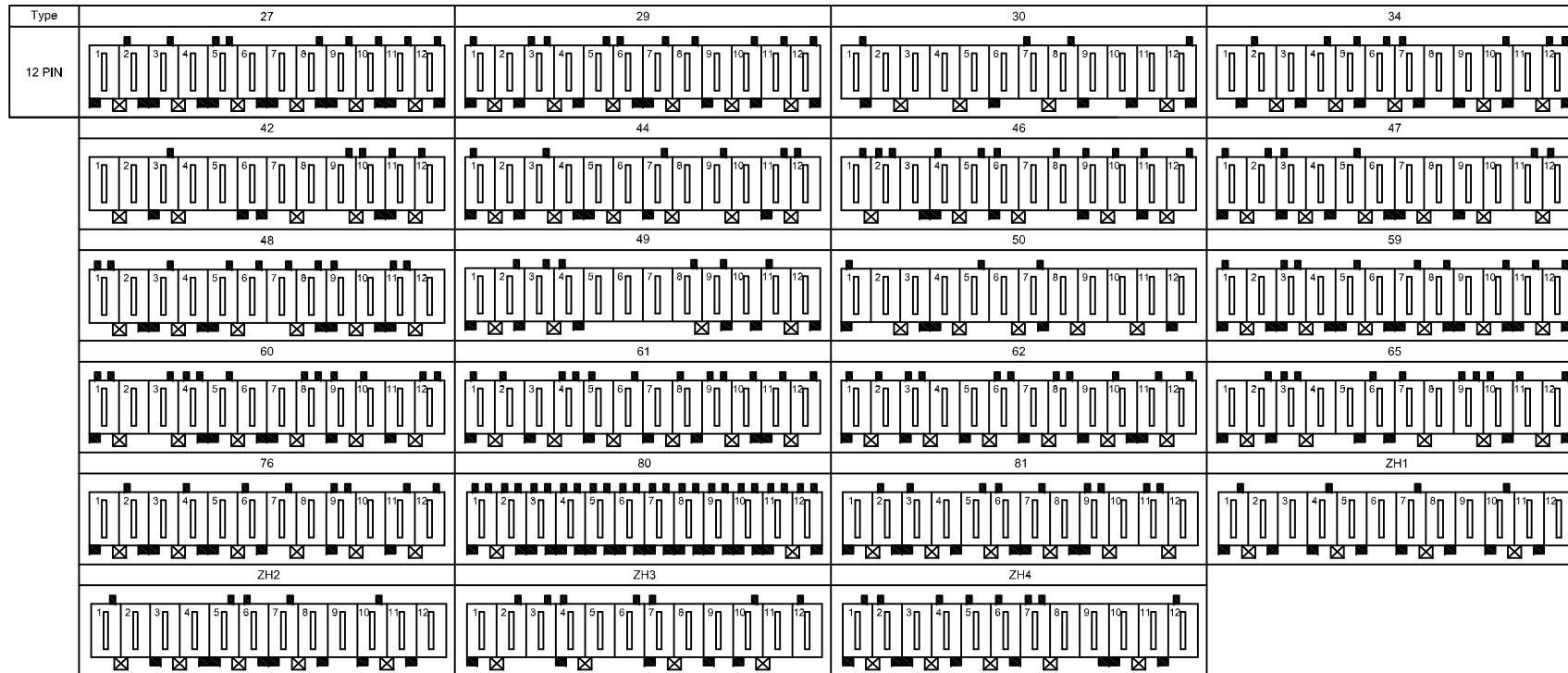
-TOLERANCES- UNLESS OTHERWISE SPECIFIED 公差参数表				TITLE: 5.00mm Pitch 产品名称: 180° /90° Wafer							
X.X	±0.30	X.X°	±3°	APPD: 核准:	XIE			PART NO: 产品编号:	HDGC7921WVA/WVB/WRA		
X.XX	±0.30	X.XX°	±2°	CHECK: 校对:	WANG			DATE	SCALE	UNIT	CODE NUMBER
X.XXX	±0.10	X.XXX°	±1°	DRAW: 绘图:	WANG			2014-04-27	1:1	mm	A008

修订 REV	标记 MARK	修改摘要 REVISION DESCRIPTION	签名 SIGNATURE	日期 DATE
AO		NEW RELEASE	WANG	2014-04-27

Type	0A	0B	0C	01
11 PIN				
	12	13	28	30
	31	32	33	34
	35	36	37	38
	39	40	42	43
	44	45	46	47
	55	60	64	80

		深圳市华德共创科技有限公司 SHENZHEN HUADE CO-CREATE TECHNOLOGY CO.,LTD TEL : 0755-27129737 FAX : 0755-29940187									
		-TOLERANCES- UNLESS OTHERWISE SPECIFIED 公差参数表				TITLE: 5.00mm Pitch 产品名称: 180° /90° Wafer					
X.X	±0.30	X.X°	±3°	APPD: 核准:	XIE			PART NO: 产品编号:		HDGC7921WVA/WVB/WRA	
X.XX	±0.30	X.XX°	±2°	CHECK: 校对:	WANG			DATE	SCALE	UNIT	CODE NUMBER
X.XXX	±0.10	X.XXX°	±1°	DRAW: 绘图:	WANG			2014-04-27	1:1	mm	A008

修订 REV	标记 MARK	修改摘要 REVISION DESCRIPTION	签名 SIGNATURE	日期 DATE
AO		NEW RELEASE	WANG	2014-04-27



				深圳市华德共创科技有限公司 SHENZHEN HUADE CO-CREATE TECHNOLOGY CO.,LTD TEL : 0755-27129737 FAX : 0755-29940187							
-TOLERANCES- UNLESS OTHERWISE SPECIFIED 公差参数表						TITLE: 5.00mm Pitch 产品名称: 180° /90° Wafer					
X.X	±0.30	X.X°	±3°	APPD: 核准:	XIE			PART NO: 产品编号:	HDGC7921WVA/WVB/WRA		
X.XX	±0.30	X.XX°	±2°	CHECK: 校对:	WANG			DATE	SCALE	UNIT	CODE NUMBER
X.XXX	±0.10	X.XXX°	±1°	DRAW: 绘图:	WANG			2014-04-27	1:1	mm	A008