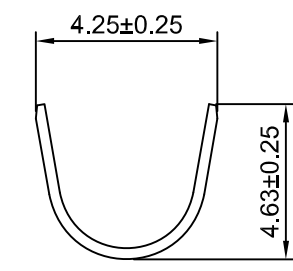
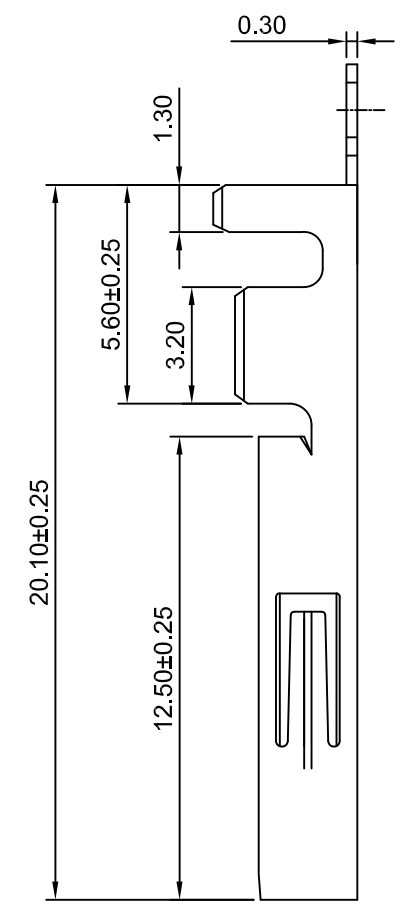
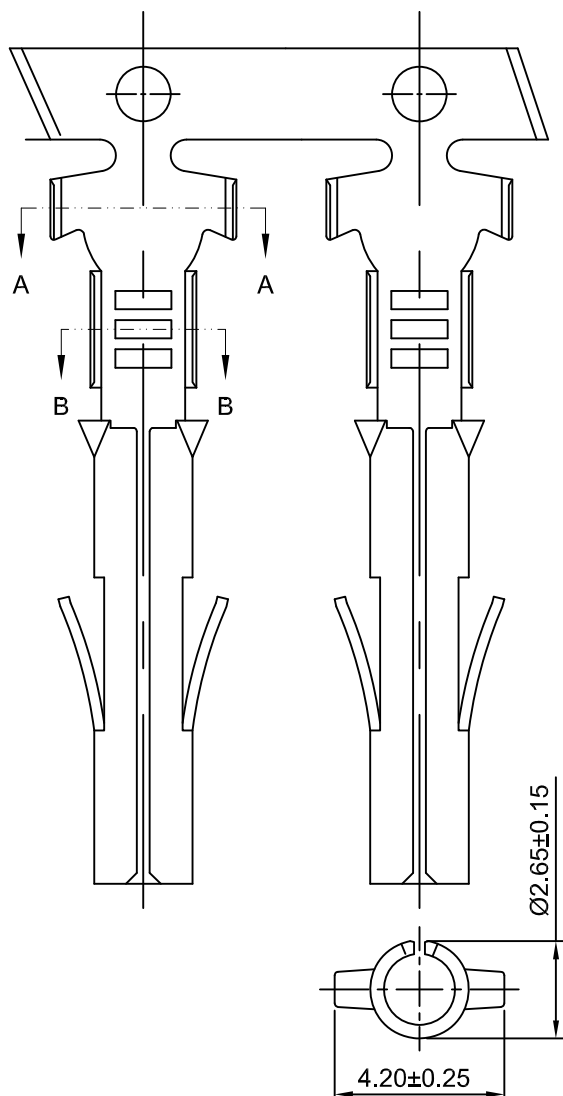
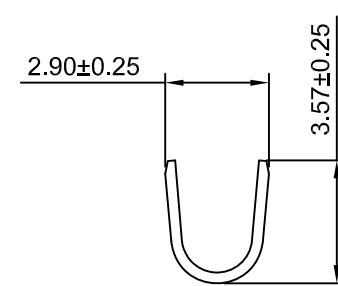


修订 REV	标记 MARK	修改摘要 REVISION DESCRIPTION	签名 SIGNATURE	日期 DATE
AO		NEW RELEASE	WANG	2011-7-16



SEC:A-A




SEC:B-B

Ordering information & Specifications

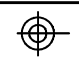
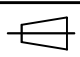
Unit:mm

Part No	Wire Range	Insultion O.D.	Material	Finish	Qty/reel
HDGC6351F-TB	AWG#14-#20	3.30mm(max)	Brass	Tin over Nickel	5,000 PCS
HDGC6351F-TP	AWG#14-#20	3.30mm(max)	Phosphor Bronze	Tin over Nickel	5,000 PCS
HDGC6351F-GB	AWG#14-#20	3.30mm(max)	Brass	Gold over Nickel	5,000 PCS
HDGC6351F-GP	AWG#14-#20	3.30mm(max)	Phosphor Bronze	Gold over Nickel	5,000 PCS

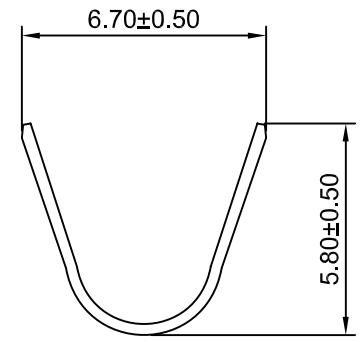
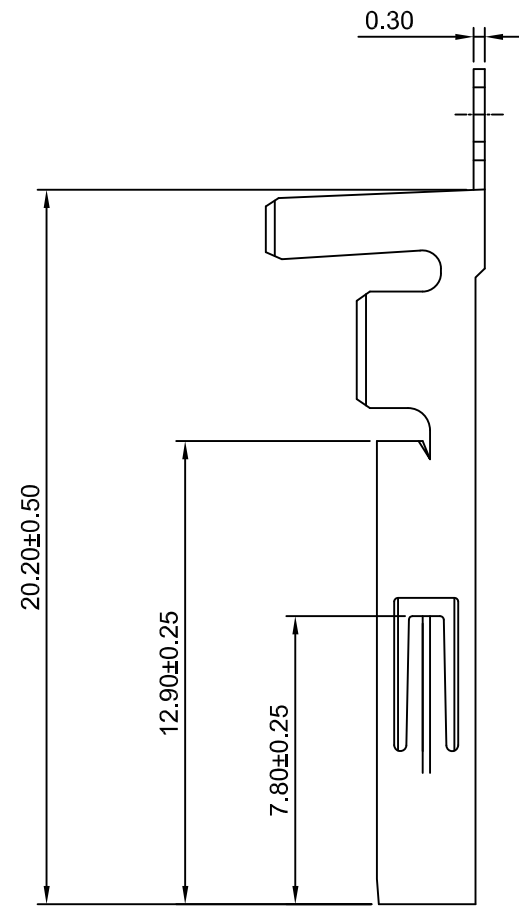
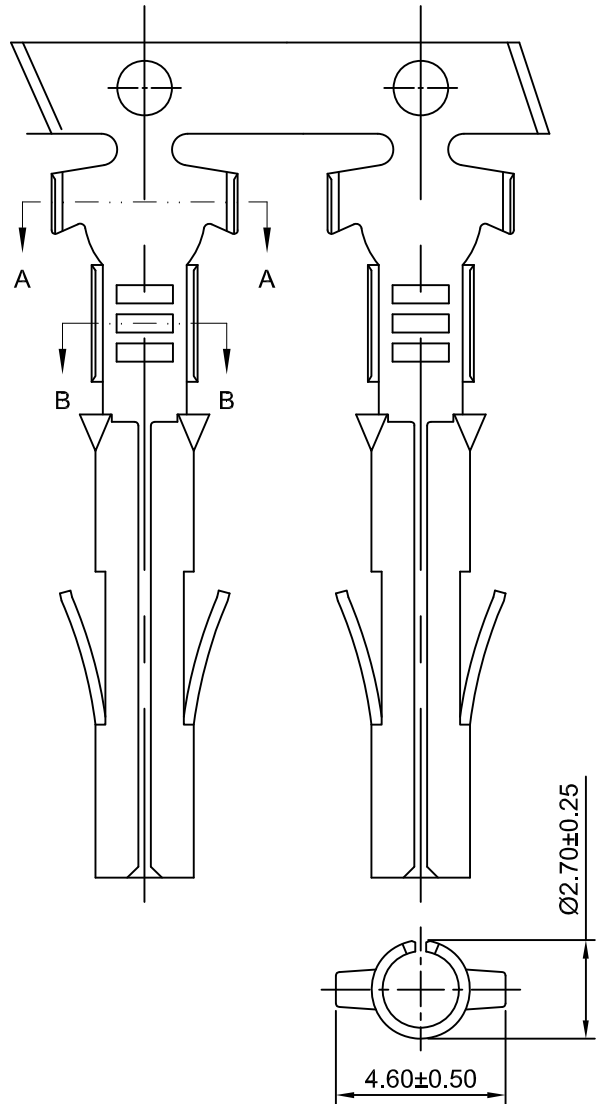
Optional Gold plating available but MOQ requested



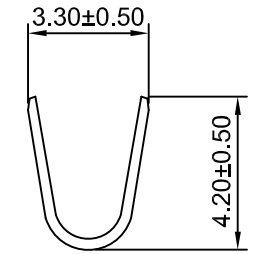
深圳市华德共创科技有限公司
 SHENZHEN HUADE CO-CREATE TECHNOLOGY CO.,LTD
 TEL : 0755-27129737 FAX : 0755-29940187

-TOLERANCES- UNLESS OTHERWISE SPECIFIED 公差参数表			 		TITLE: 6.35mm Pitch 产品名称: Crimp Terminal			
X.X	±0.30	X.X°	±3°	APPD: 核准: XIE	PART NO: 产品编号: HDGC6351F-T			
X.XX	±0.30	X.XX°	±2°	CHECK: 校对: WANG	DATE	SCALE	UNIT	CODE NUMBER
X.XXX	±0.10	X.XXX°	±1°	DRAW: 绘图: WANG	2011-07-16	5:1	mm	A008

修订 REV	标记 MARK	修改摘要 REVISION DESCRIPTION	签名 SIGNATURE	日期 DATE
AO		NEW RELEASE	WANG	2011-7-16



SEC:A-A




SEC:B-B

Ordering information & Specifications

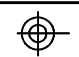
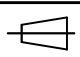
Part No	Wire Range	Insulation O.D.	Material	Finish	Qty/reel
HDGC6351F-TB-H	AWG#12-#14	4.30mm(max)	Brass	Tin over Nickel	2,500 PCS
HDGC6351F-TP-H	AWG#12-#14	4.30mm(max)	Phosphor Bronze	Tin over Nickel	2,500 PCS
HDGC6351F-GB-H	AWG#12-#14	4.30mm(max)	Brass	Gold over Nickel	2,500 PCS
HDGC6351F-GP-H	AWG#12-#14	4.30mm(max)	Phosphor Bronze	Gold over Nickel	2,500 PCS

Unit:mm

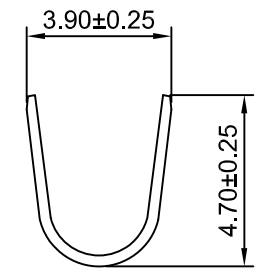
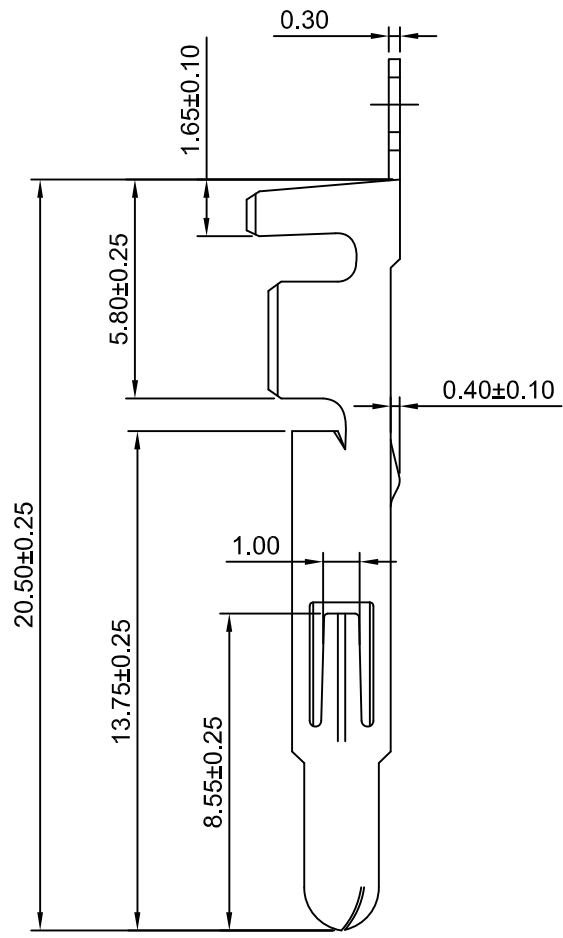
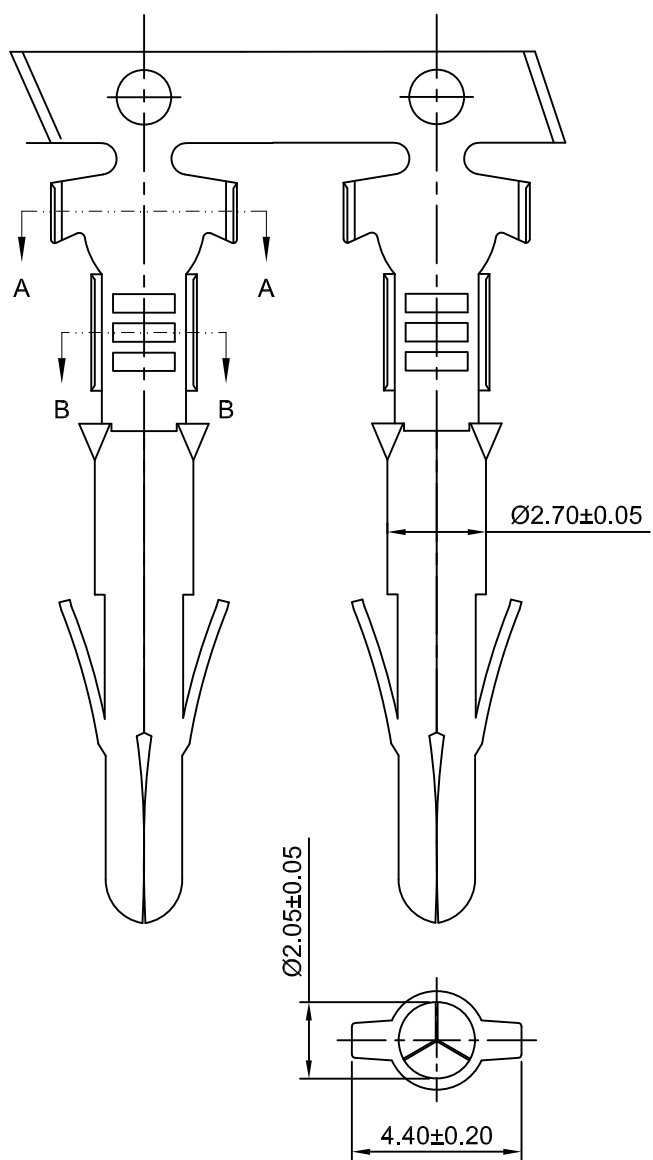
Optional Gold plating available but MOQ requested



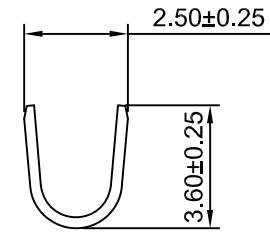
深圳市华德共创科技有限公司
 SHENZHEN HUADE CO-CREATE TECHNOLOGY CO.,LTD
 TEL : 0755-27129737 FAX : 0755-29940187

-TOLERANCES- UNLESS OTHERWISE SPECIFIED 公差参数表			 	TITLE: 6.35mm Pitch 产品名称: Crimp Terminal				
X.X	±0.30	X.X°	±3°	APPD: 核准: XIE	PART NO: 产品编号: HDGC6351F-T-H			
X.XX	±0.30	X.XX°	±2°	CHECK: 校对: WANG	DATE	SCALE	UNIT	CODE NUMBER
X.XXX	±0.10	X.XXX°	±1°	DRAW: 绘图: WANG	2011-07-16	5:1	mm	A008

修订 REV	标记 MARK	修改摘要 REVISION DESCRIPTION	签名 SIGNATURE	日期 DATE
AO		NEW RELEASE	WANG	2011-7-16



SEC:A-A



SEC:B-B

Ordering information & Specifications

Unit:mm

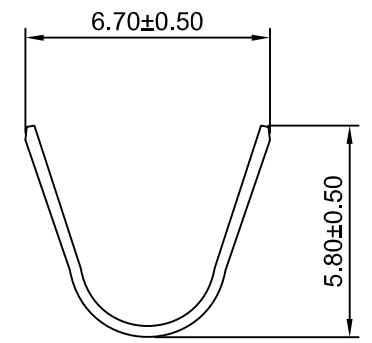
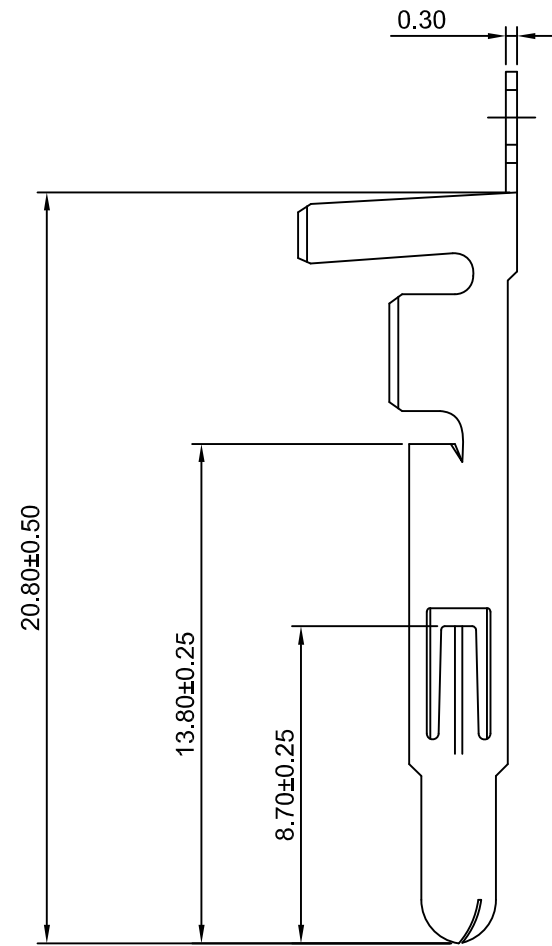
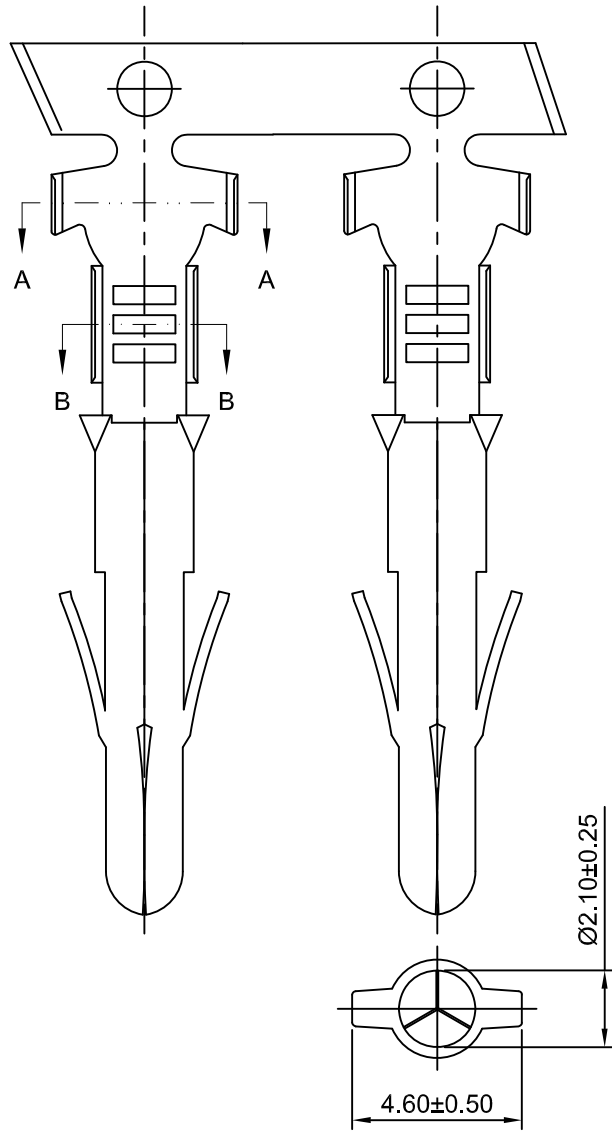
Part No	Wire Range	Insulation O.D.	Material	Finish	Qty/reel
HDGC6351M-TB	AWG#14-#20	3.30mm(max)	Brass	Tin over Nickel	5,000 PCS
HDGC6351M-TP	AWG#14-#20	3.30mm(max)	Phosphor Bronze	Tin over Nickel	5,000 PCS
HDGC6351M-GB	AWG#14-#20	3.30mm(max)	Brass	Gold over Nickel	5,000 PCS
HDGC6351M-GP	AWG#14-#20	3.30mm(max)	Phosphor Bronze	Gold over Nickel	5,000 PCS

Optional Gold plating available but MOQ requested

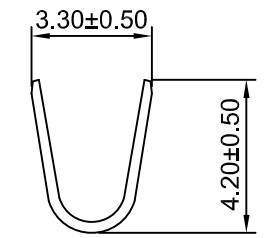
HDGC 深圳市华德共创科技有限公司
 SHENZHEN HUADE CO-CREATE TECHNOLOGY CO.,LTD
 TEL : 0755-27129737 FAX : 0755-29940187

-TOLERANCES- UNLESS OTHERWISE SPECIFIED 公差参数表					TITLE: 6.35mm Pitch 产品名称: Crimp Terminal			
X.X	±0.30	X.X°	±3°	APPD: 核准: XIE	PART NO: 产品编号: HDGC6351M-T			
X.XX	±0.30	X.XX°	±2°	CHECK: 校对: WANG	DATE	SCALE	UNIT	CODE NUMBER
X.XXX	±0.10	X.XXX°	±1°	DRAW: 绘图: WANG	2011-07-16	5:1	mm	A008

修订 REV	标记 MARK	修改摘要 REVISION DESCRIPTION	签名 SIGNATURE	日期 DATE
AO		NEW RELEASE	WANG	2011-7-16



SEC:A-A



SEC:B-B

Ordering information & Specifications

Unit:mm

Part No	Wire Range	Insultion O.D.	Material	Finish	Qty/reel
HDGC6351M-TB-H	AWG#12-#14	4.30mm(max)	Brass	Tin over Nickel	2,500 PCS
HDGC6351M-TP-H	AWG#12-#14	4.30mm(max)	Phosphor Bronze	Tin over Nickel	2,500 PCS
HDGC6351M-GB-H	AWG#12-#14	4.30mm(max)	Brass	Gold over Nickel	2,500 PCS
HDGC6351M-GP-H	AWG#12-#14	4.30mm(max)	Phosphor Bronze	Gold over Nickel	2,500 PCS

Optional Gold plating available but MOQ requested

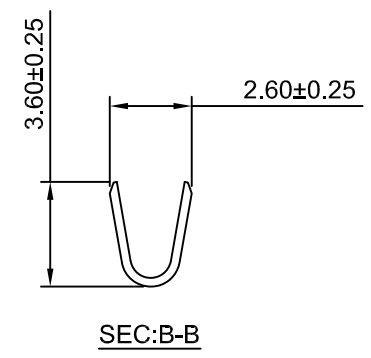
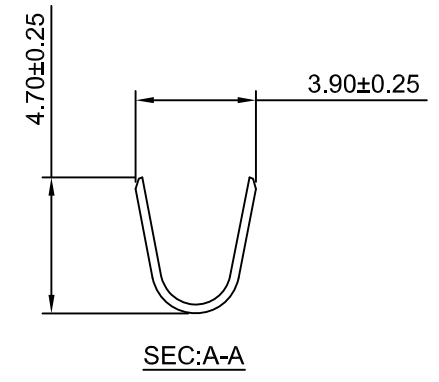
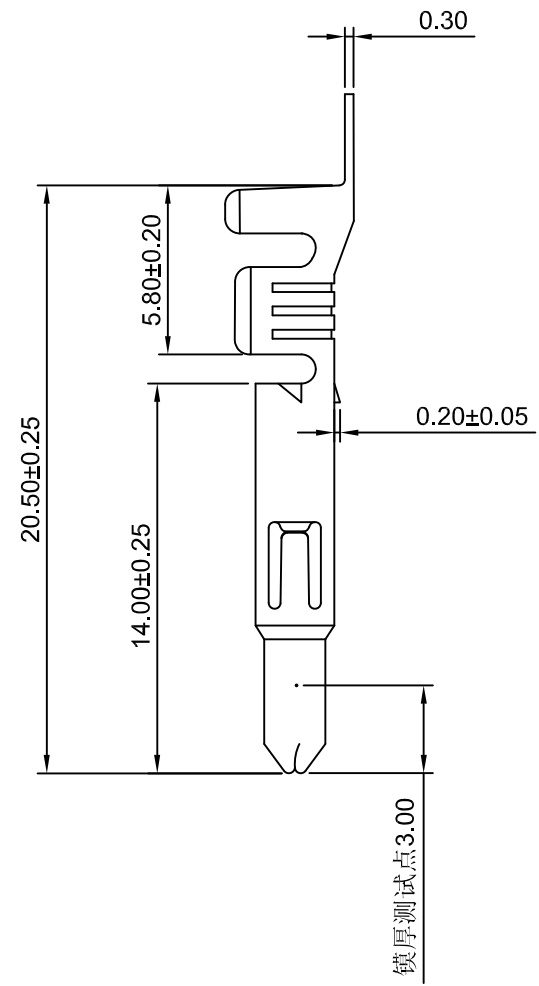
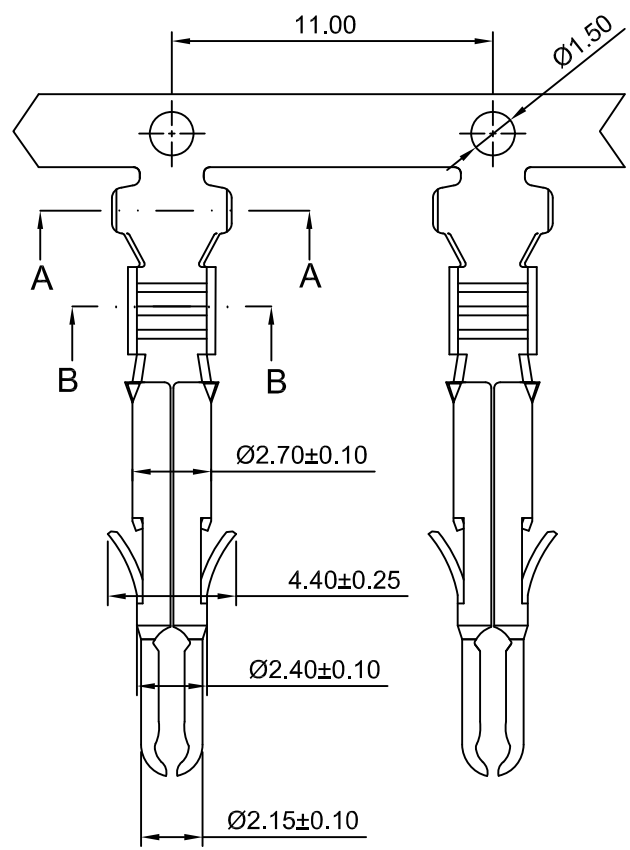


深圳市华德共创科技有限公司

SHENZHEN HUADE CO-CREATE TECHNOLOGY CO.,LTD
TEL : 0755-27129737 FAX : 0755-29940187

-TOLERANCES- UNLESS OTHERWISE SPECIFIED 公差参数表						TITLE: 6.35mm Pitch 产品名称: Crimp Terminal			
X.X	±0.30	X.X°	±3°	APPD: 核准:	XIE	PART NO: 产品编号: HDGC6351M-T-H			
X.XX	±0.30	X.XX°	±2°	CHECK: 校对:	WANG	DATE	SCALE	UNIT	CODE NUMBER
X.XXX	±0.10	X.XXX°	±1°	DRAW: 绘图:	WANG	2011-07-16	5:1	mm	A008

修订 REV	标记 MARK	修改摘要 REVISION DESCRIPTION	签名 SIGNATURE	日期 DATE
AO		NEW RELEASE	WANG	2011-7-16




Ordering information & Specifications

Unit:mm

Part No	Wire Range	Insultion O.D.	Material	Finish	Qty/reel
HDGC6351MA-TB	AWG#16-#20	3.30mm(max)	Brass	Tin over Nickel	5,000 PCS
HDGC6351MA-TP	AWG#16-#20	3.30mm(max)	Phosphor Bronze	Tin over Nickel	5,000 PCS
HDGC6351MA-GB	AWG#16-#20	3.30mm(max)	Brass	Glod over Nickel	5,000 PCS
HDGC6351MA-GP	AWG#16-#20	3.30mm(max)	Phosphor Bronze	Glod over Nickel	5,000 PCS


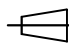
Optional Gold plating available but MOQ requested



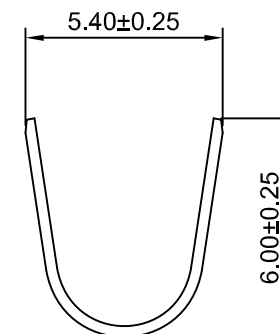
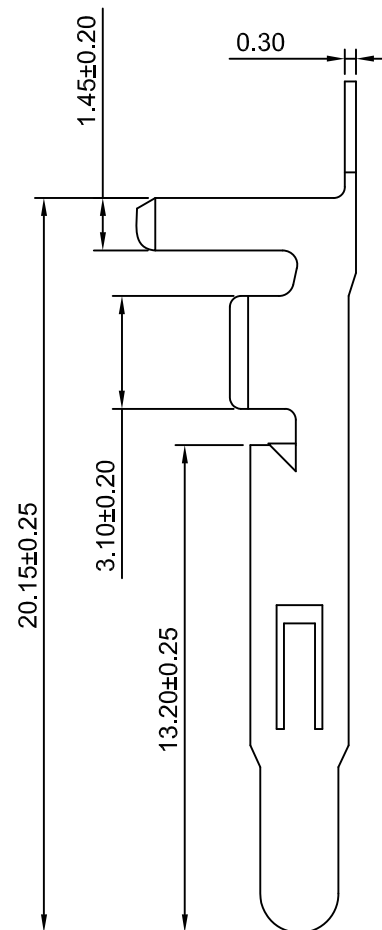
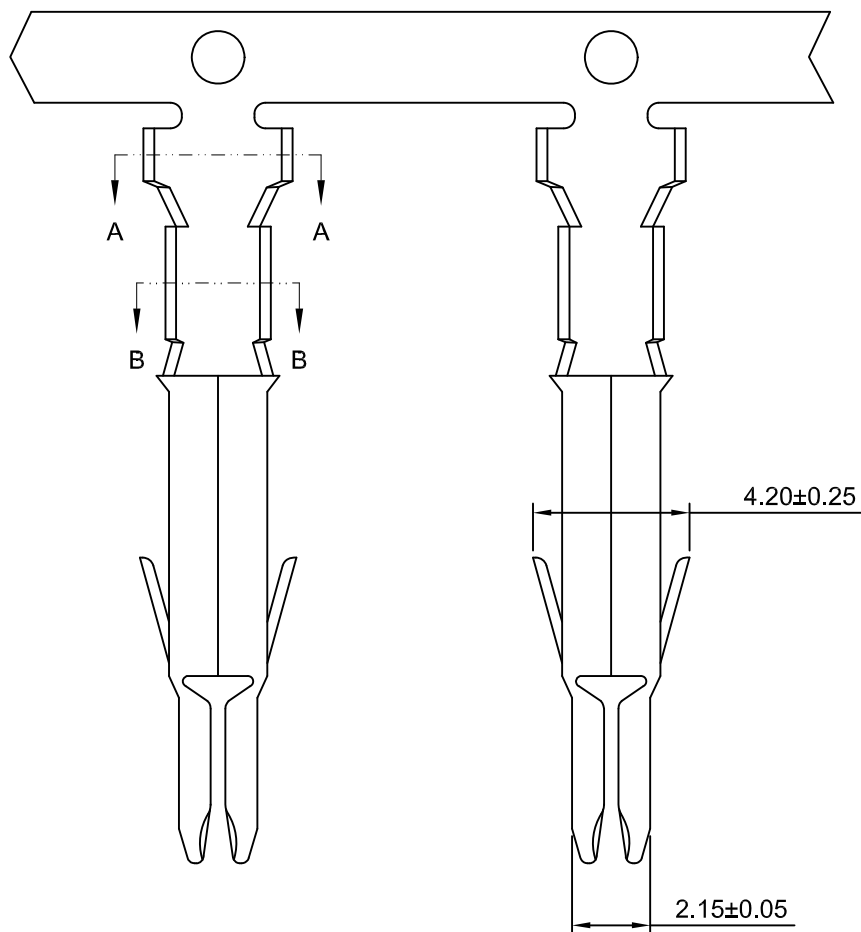
深圳市华德共创科技有限公司

SHENZHEN HUADE CO-CREATE TECHNOLOGY CO.,LTD

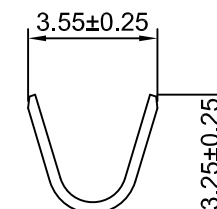
TEL : 0755-27129737 FAX : 0755-29940187

-TOLERANCES- UNLESS OTHERWISE SPECIFIED 公差参数表			 	TITLE: 6.35mm Pitch 产品名称: Crimp Terminal							
X.X	±0.30	X.X°	±3°	APPD: 核准:	XIE			PART NO: 产品编号:	HDGC6351MA-T		
X.XX	±0.30	X.XX°	±2°	CHECK: 校对:	WANG			DATE	SCALE	UNIT	CODE NUMBER
X.XXX	±0.10	X.XXX°	±1°	DRAW: 绘图:	WANG			2011-07-16	3:1	mm	A008

修订 REV	标记 MARK	修改摘要 REVISION DESCRIPTION	签名 SIGNATURE	日期 DATE
AO		NEW RELEASE	WANG	2011-7-16



SEC:A-A



SEC:B-B

Ordering information & Specifications

Unit:mm

Part No	Wire Range	Insultion O.D.	Material	Finish	Qty/reel
HDGC6351MA-TB-H	AWG#12-#14	4.30mm(max)	Brass	Tin over Nickel	2,500 PCS
HDGC6351MA-TP-H	AWG#12-#14	4.30mm(max)	Phosphor Bronze	Tin over Nickel	2,500 PCS
HDGC6351MA-GB-H	AWG#12-#14	4.30mm(max)	Brass	Gold over Nickel	2,500 PCS
HDGC6351MA-GP-H	AWG#12-#14	4.30mm(max)	Phosphor Bronze	Glod over Nickel	2,500 PCS

Optional Gold plating available but MOQ requested



深圳市华德共创科技有限公司

SHENZHEN HUADE CO-CREATE TECHNOLOGY CO.,LTD

TEL : 0755-27129737 FAX : 0755-29940187

-TOLERANCES- UNLESS OTHERWISE SPECIFIED 公差参数表					TITLE: 产品名称: 6.35mm Pitch Crimp Terminal				
X.X	±0.30	X.X°	±3°	APPD: 核准:	XIE				
X.XX	±0.30	X.XX°	±2°	CHECK: 校对:	WANG	DATE	SCALE	UNIT	CODE NUMBER
X.XXX	±0.10	X.XXX°	±1°	DRAW: 绘图:	WANG	2011-07-16	5:1	mm	A008

修订 REV	标记 MARK	修改摘要 REVISION DESCRIPTION	签名 SIGNATURE	日期 DATE
AO		NEW RELEASE	WANG	2015-04-28

Ordering Information:

HDGC6351HF-XP-***-**
1 2 3

1.Part No.

2.Material:

(blank):Nylon 66,UL94V-2/Natural

V0:Nylon 66,UL94V-0/White

GWT:Nylon 66,UL94V-0,GWT 750°C

3.Color:

BR:Brown

RD:Red

OR:Orange

YL:Yellow

GN:Green

BL:Blue

GY:Gray

BK:Black

SPECIFICATIONS:

Current Rating: 19A AC,DC(Max)

Voltage Rating: 600V AC,DC

Temperature Range: -25°C~+85°C

Contact Resistance: 3.5mΩ Max

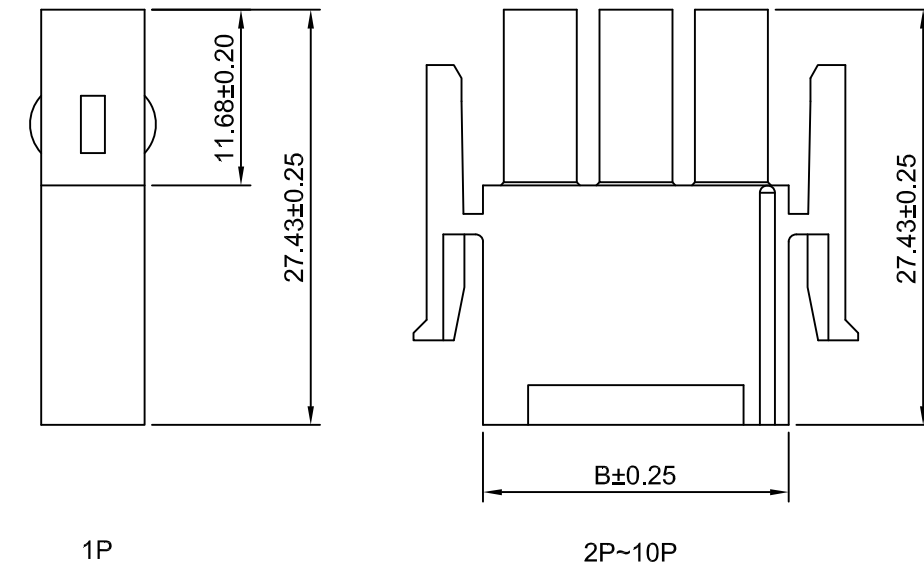
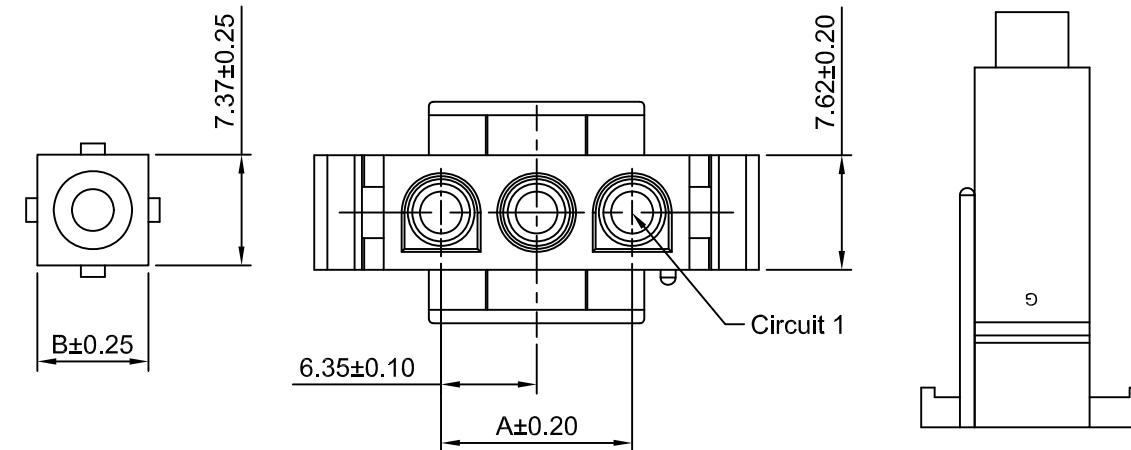
Insulation Resistance: 1000MΩ Min

Withstanding Voltage: 5000V AC/minute

Material: Nylon 66,UL94V-2(Natural)

Ordering Information & Dimensions

Circuits	Dimensions(mm)		Circuits	Dimensions(mm)	
	A	B		A	B
1P	--	7.37	6P	31.75	39.37
2P	6.35	13.97	7P	38.10	45.72
3P	12.70	20.32	8P	44.45	52.07
4P	19.05	26.67	9P	50.80	58.42
5P	25.40	33.02	10P	57.15	64.77



深圳市华德共创科技有限公司
SHENZHEN HUADE CO-CREATE TECHNOLOGY CO.,LTD
TEL : 0755-27129737 FAX : 0755-29940187

-TOLERANCES- UNLESS OTHERWISE SPECIFIED 公差参数表					TITLE: 6.35mm Pitch Housing 产品名称:							
X.X	±0.30	X.X°	±3°	APPD: 核准:	XIE				PART NO: 产品编号:	HDGC6351HF-XP		
X.XX	±0.30	X.XX°	±2°	CHECK: 校对:	WANG		DATE	SCALE	UNIT	CODE NUMBER		
X.XXX	±0.10	X.XXX°	±1°	DRAW: 绘图:	WANG		2015-04-28	2:1	mm	A008		

修订 REV	标记 MARK	修改摘要 REVISION DESCRIPTION	签名 SIGNATURE	日期 DATE
AO		NEW RELEASE	WANG	2015-04-28

Ordering Information:

HDGC6351HM-XP - $\frac{***}{1} - \frac{**}{2} - \frac{**}{3}$

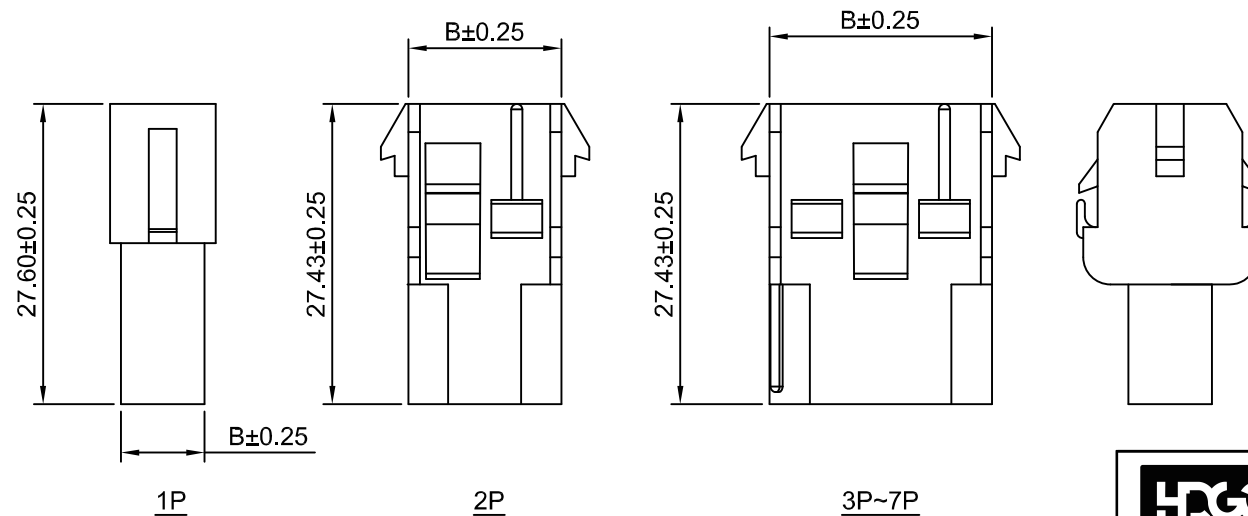
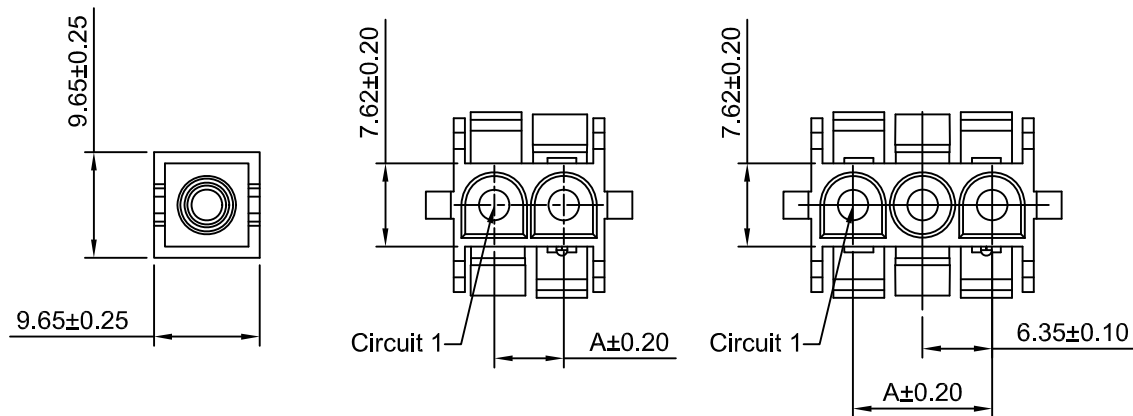
- Part No.
- Material:
(blank):Nylon 66,UL94V-2/Natural
V0:Nylon 66,UL94V-0/White
GWT:Nylon 66,UL94V-0,GWT 750°C
- Color:
BR:Brown
RD:Red
OR:Orange
YL:Yellow
GN:Green
BL:Blue
GY:Gray
BK:Black

SPECIFICATIONS:

Current Rating: 19A AC,DC(Max)
Voltage Rating: 600V AC,DC
Temperature Range: -25°C~+85°C
Contact Resistance: 3.5mΩ Max
Insulation Resistance: 1000MΩ Min
Withstanding Voltage: 5000V AC/minute
Material: Nylon 66,UL94V-2(Natural)

Ordering Information & Dimensions

Circuits	Dimensions(mm)		Circuits	Dimensions(mm)	
	A	B		A	B
1P	---	7.62	5P	25.40	33.02
2P	6.35	13.97	6P	31.75	39.37
3P	12.70	20.32	7P	38.10	45.72
4P	19.05	26.67			

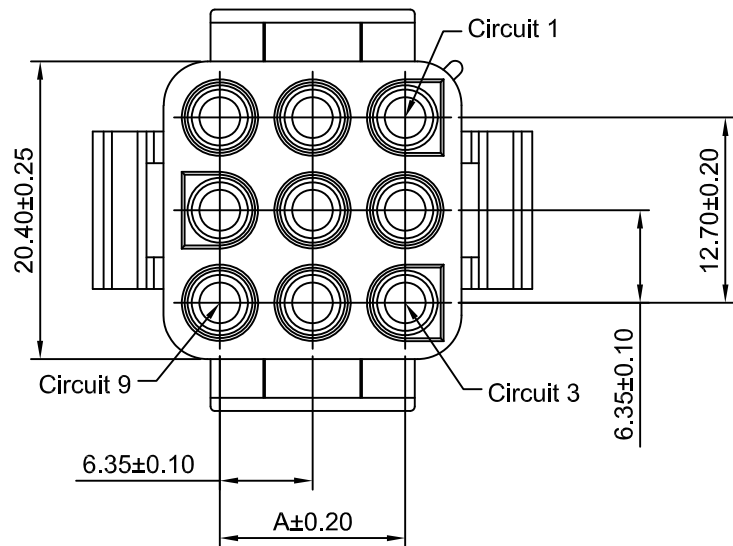


深圳市华德共创科技有限公司

SHENZHEN HUADE CO-CREATE TECHNOLOGY CO.,LTD
TEL : 0755-27129737 FAX : 0755-29940187

-TOLERANCES- UNLESS OTHERWISE SPECIFIED 公差参数表						TITLE: 6.35mm Pitch Housing 产品名称:			
X.X	±0.30	X.X°	±3°	APPD: 核准:	XIE	PART NO: 产品编号: HDGC6351HM-XP			
X.XX	±0.30	X.XX°	±2°	CHECK: 校对:	WANG	DATE	SCALE	UNIT	CODE NUMBER
X.XXX	±0.10	X.XXX°	±1°	DRAW: 绘图:	WANG	2015-04-28	1.5:1	mm	A008

修订 REV	标记 MARK	修改摘要 REVISION DESCRIPTION	签名 SIGNATURE	日期 DATE
AO		NEW RELEASE	WANG	2015-04-28



Ordering Information:

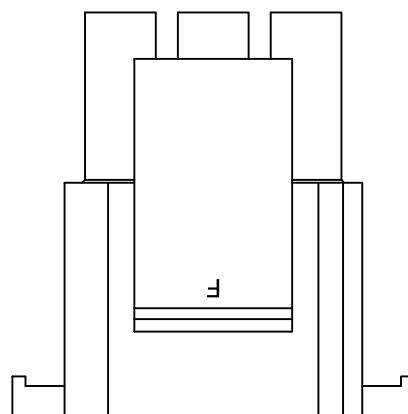
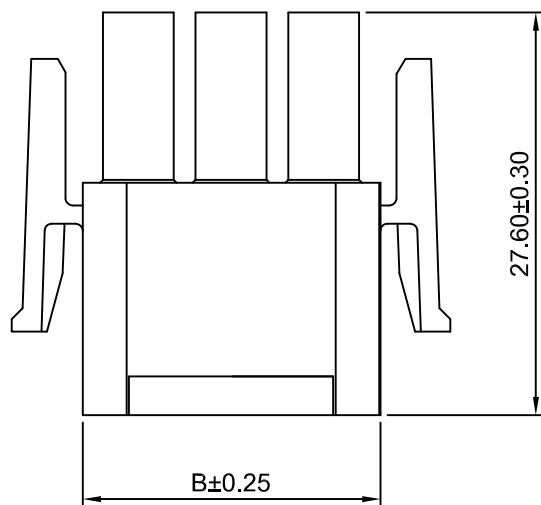
HDGC6351HF-3xXP- **
1 2

1.Part No.

2.Material:

(blank):UL94V-2/Natural

V0:UL94V-0/White



SPECIFICATIONS:

Current Rating: 19A AC,DC(Max)

Voltage Rating: 600V AC,DC

Temperature Range: -25°C~+85°C

Contact Resistance: 3.5mΩ Max

Insulation Resistance: 1000MΩ Min

Withstanding Voltage: 5000V AC/minute

Material: Nylon 66,UL94V-2(Natural)

Ordering Information & Dimensions

Circuits	Dimensions(mm)		Circuits	Dimensions(mm)	
	A	B		A	B
3x2P	6.35	14.04	3x4P	19.05	26.74
3x3P	12.70	20.39	3x5P	25.40	33.09



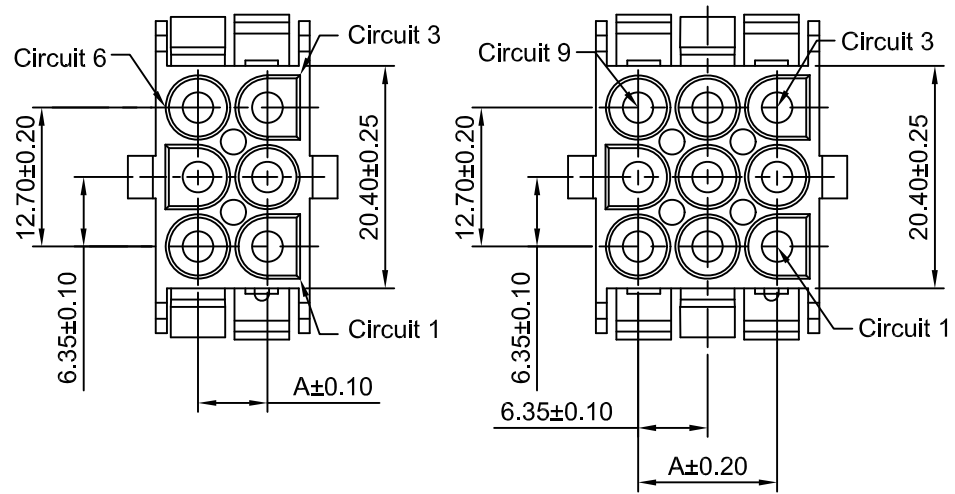
深圳市华德共创科技有限公司

SHENZHEN HUADE CO-CREATE TECHNOLOGY CO.,LTD

TEL : 0755-27129737 FAX : 0755-29940187

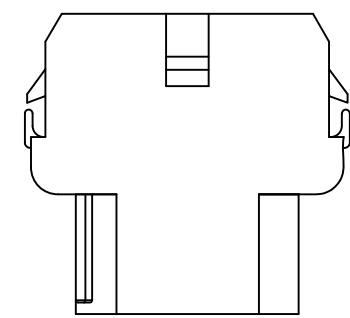
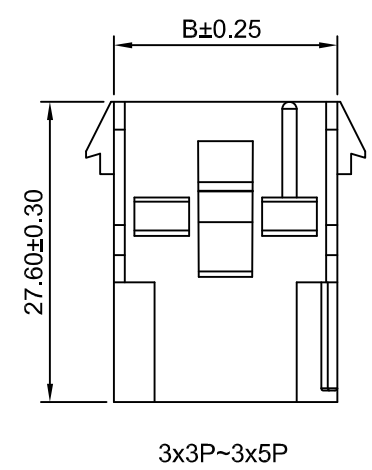
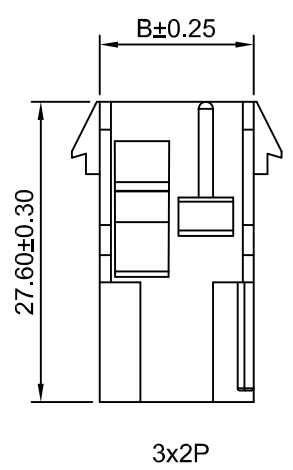
-TOLERANCES- UNLESS OTHERWISE SPECIFIED 公差参数表						TITLE: 6.35mm Pitch Housing 产品名称: Housing			
X.X	±0.30	X.X°	±3°	APPD: 核准:	XIE	PART NO: 产品编号: HDGC6351HF-3xXP			
X.XX	±0.30	X.XX°	±2°	CHECK: 校对:	WANG	DATE	SCALE	UNIT	CODE NUMBER
X.XXX	±0.10	X.XXX°	±1°	DRAW: 绘图:	WANG	2015-04-28	2:1	mm	A008

修订 REV	标记 MARK	修改摘要 REVISION DESCRIPTION	签名 SIGNATURE	日期 DATE
AO		NEW RELEASE	WANG	2015-04-28



Ordering Information:
HDGC6351HM-3xXP- **
 1 2

- Part No.
- Material:
 (blank):UL94V-2/Natural
 V0:UL94V-0/White



SPECIFICATIONS:
 Current Rating: 19A AC,DC(Max)
 Voltage Rating: 600V AC,DC
 Temperature Range: -25°C~+85°C
 Contact Resistance: 3.5mΩ Max
 Insulation Resistance: 1000MΩ Min
 Withstanding Voltage: 5000V AC/minute
 Material: Nylon 66, UL94V-2(Natural)

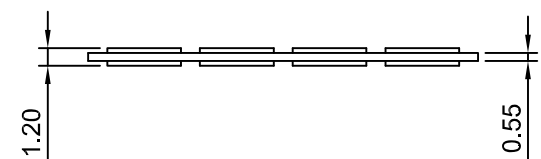
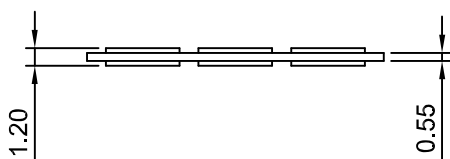
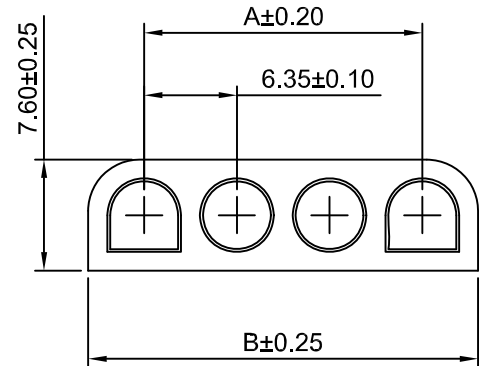
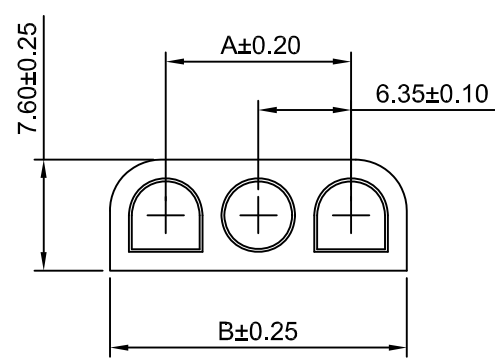
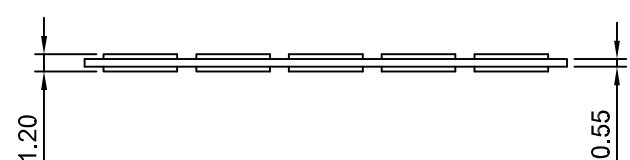
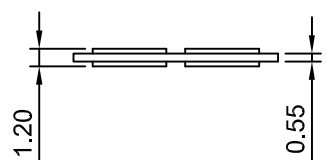
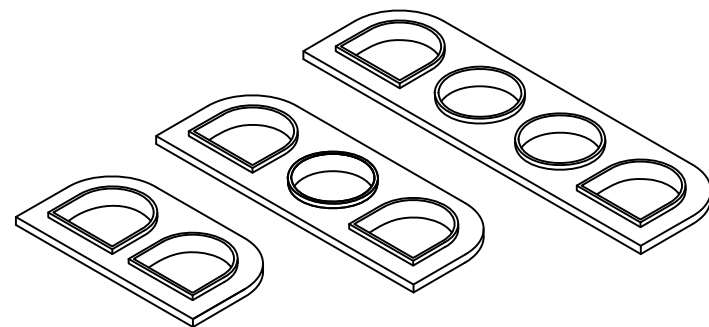
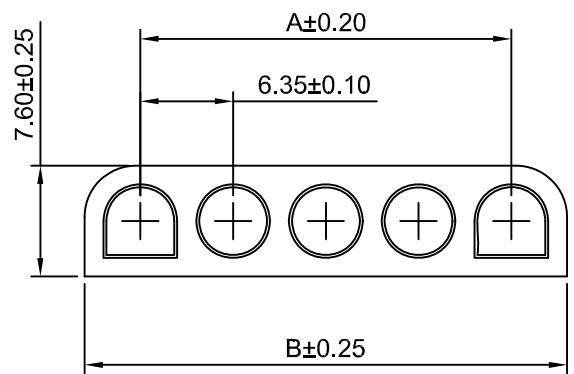
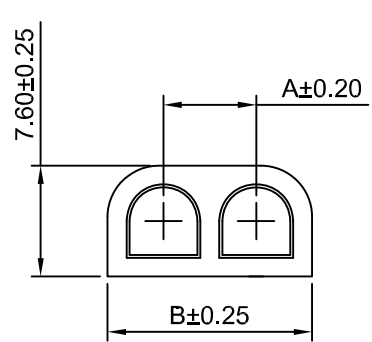
Ordering Information & Dimensions

Circuits	Dimensions(mm)		Circuits	Dimensions(mm)	
	A	B		A	B
3x2P	6.35	14.04	3x4P	19.05	26.74
3x3P	12.70	20.39	3x5P	25.40	33.09

深圳市华德共创科技有限公司
 SHENZHEN HUADE CO-CREATE TECHNOLOGY CO.,LTD
 TEL : 0755-27129737 FAX : 0755-29940187

-TOLERANCES- UNLESS OTHERWISE SPECIFIED 公差参数表				TITLE: 6.35mm Pitch Housing 产品名称:							
X.X	±0.30	X.X°	±3°	APPD: 核准:	XIE			PART NO: 产品编号:	HDGC6351HM-3xXP		
X.XX	±0.30	X.XX°	±2°	CHECK: 校对:	WANG			DATE	SCALE	UNIT	CODE NUMBER
X.XXX	±0.10	X.XXX°	±1°	DRAW: 绘图:	WANG			2015-04-28	1.5:1	mm	A008

修订 REV	标记 MARK	修改摘要 REVISION DESCRIPTION	签名 SIGNATURE	日期 DATE
AO		NEW RELEASE	WANG	2011-7-16



Technical Requirements:

2.79mm-3.30mm insulation diameter passed European IP sealing level #5/7(swirling dust/immersion to 1 meter for 30 minutes)
 1.52mm-2.79mm insulation diameter passed European IP sealing level #5/6(swirling dust/heavy seas)
 Wire AWG range is #20-14 with insulation diameter range 1.52mm-3.30mm
 Material:Silicone rubber(Blue)

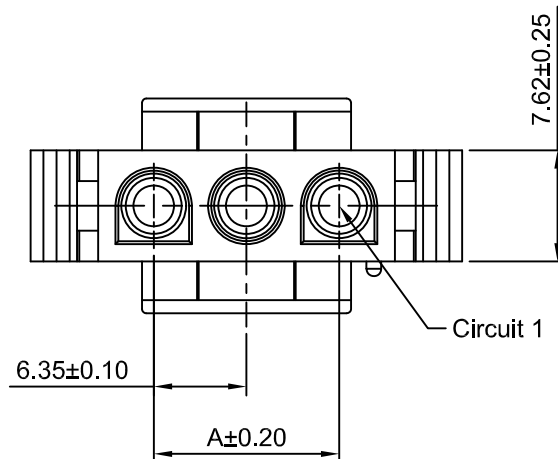
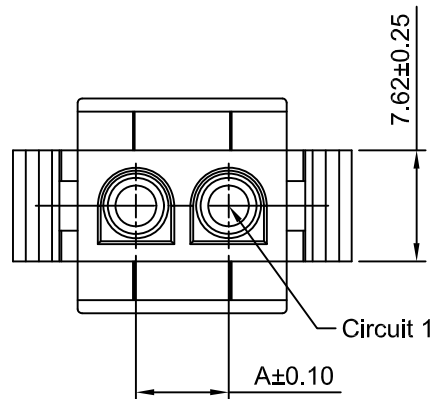
Ordering Information & Dimensions

Circuits	Dimensions(mm)		Circuits	Dimensions(mm)	
	A	B		A	B
2P	6.35	14.00	4P	19.05	26.70
3P	12.70	20.35	5P	25.40	33.05

HDGC 深圳市华德共创科技有限公司
 SHENZHEN HUADE CO-CREATE TECHNOLOGY CO.,LTD
 TEL : 0755-27129737 FAX : 0755-29940187

-TOLERANCES- UNLESS OTHERWISE SPECIFIED 公差参数表				 		TITLE: 6.35mm Pitch 产品名称: Interface Seal			
X.X	±0.30	X.X°	±3°	APPD: 核准:	XIE	PART NO: 产品编号: HDGC6351HFI-XP			
X.XX	±0.30	X.XX°	±2°	CHECK: 校对:	WANG	DATE	SCALE	UNIT	CODE NUMBER
X.XXX	±0.10	X.XXX°	±1°	DRAW: 绘图:	WANG	2011-07-16	2:1	mm	A008

修订 REV	标记 MARK	修改摘要 REVISION DESCRIPTION	签名 SIGNATURE	日期 DATE
AO		NEW RELEASE	WANG	2015-04-28



Ordering Information:

HDGC6351HFA-XP-^{**}
1 2

1.Part No.

2.Material:

(blank):UL94V-2/Natural

V0:UL94V-0/White

SPECIFICATIONS:

Current Rating: 19A AC,DC(Max)

Voltage Rating: 600V AC,DC

Temperature Range: -25°C~+85°C

Contact Resistance: 3.5mΩ Max

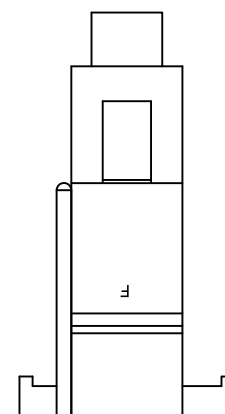
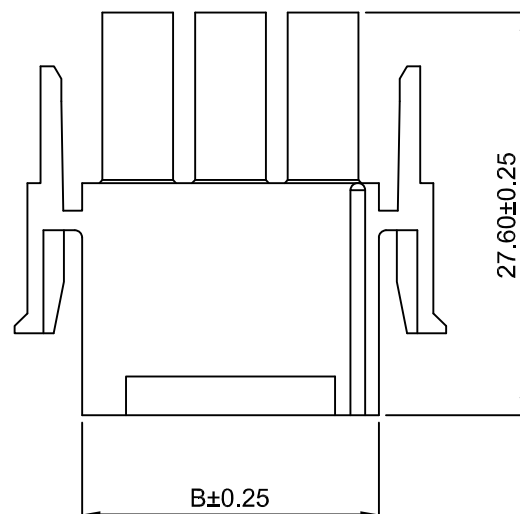
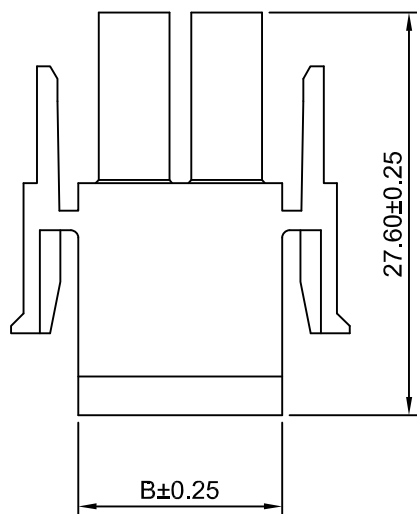
Insulation Resistance: 1000MΩ Min

Withstanding Voltage: 5000V AC/minute

Material: Nylon 66,UL94V-2(Natural)

Ordering Information & Dimensions

Circuits	Dimensions(mm)		Circuits	Dimensions(mm)	
	A	B		A	B
2P	6.35	13.97	7P	38.10	45.72
3P	12.70	20.32	8P	44.45	52.07
4P	19.05	26.67	9P	50.80	58.42
5P	25.40	33.02	10P	57.15	64.77
6P	31.75	39.37			



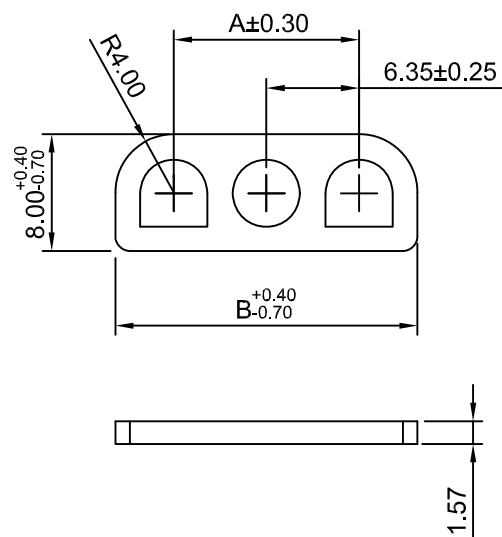
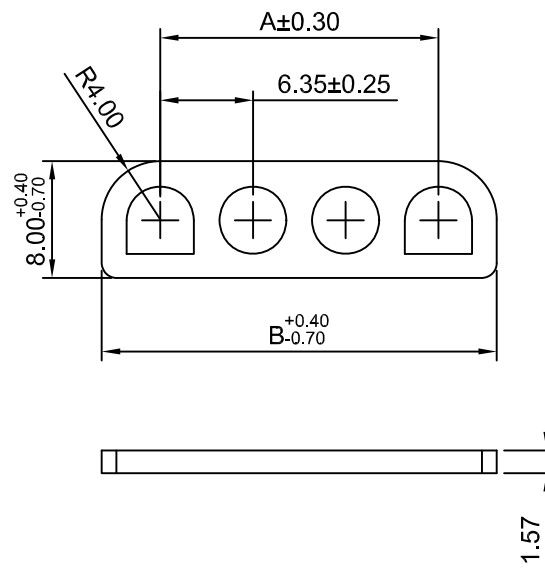
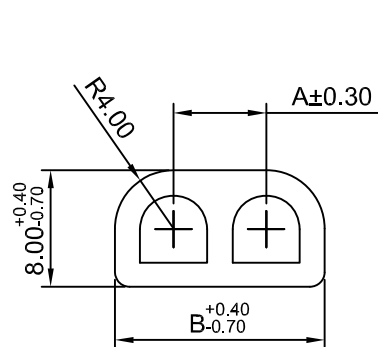
深圳市华德共创科技有限公司

SHENZHEN HUADE CO-CREATE TECHNOLOGY CO.,LTD

TEL : 0755-27129737 FAX : 0755-29940187

-TOLERANCES- UNLESS OTHERWISE SPECIFIED 公差参数表						TITLE: 6.35mm Pitch Housing 产品名称:			
X.X	±0.30	X.X°	±3°	APPD: 核准:	XIE	PART NO: 产品编号: HDGC6351HFA-XP			
X.XX	±0.30	X.XX°	±2°	CHECK: 校对:	WANG	DATE	SCALE	UNIT	CODE NUMBER
X.XXX	±0.10	X.XXX°	±1°	DRAW: 绘图:	WANG	2015-04-28	2:1	mm	A008

修订 REV	标记 MARK	修改摘要 REVISION DESCRIPTION	签名 SIGNATURE	日期 DATE
AO		NEW RELEASE	WANG	2016-10-21



Technical Requirements:

2.79mm-3.30mm insulation diameter passed European IP sealing level #5/7 (swirling dust/immersion to 1 meter for 30 minutes)

1.52mm-2.79mm insulation diameter passed European IP sealing level #5/6 (swirling dust/heavy seas)

Wire AWG range is #20-14 with insulation diameter range 1.52mm-3.30mm

Material: Closed cell silicon foam (Black)

Ordering Information & Dimensions

Circuits	Dimensions(mm)		Circuits	Dimensions(mm)	
	A	B		A	B
2P	6.35	14.35	4P	19.05	27.05
3P	12.70	20.70			



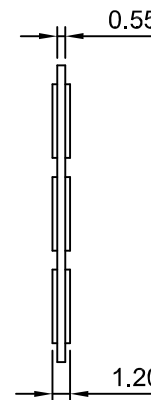
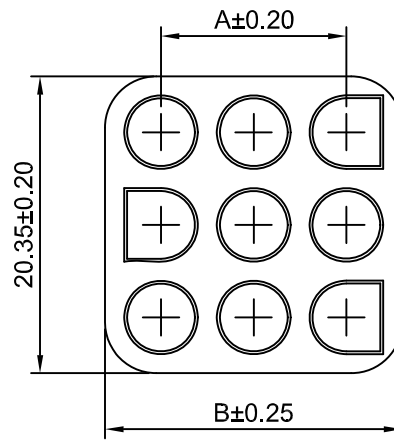
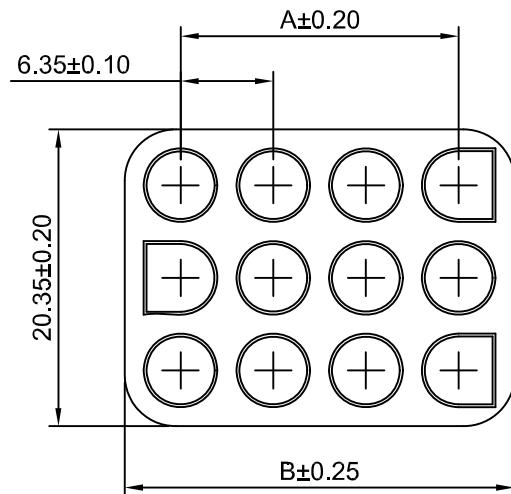
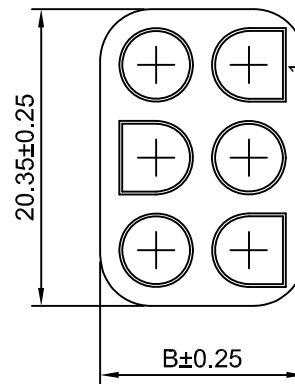
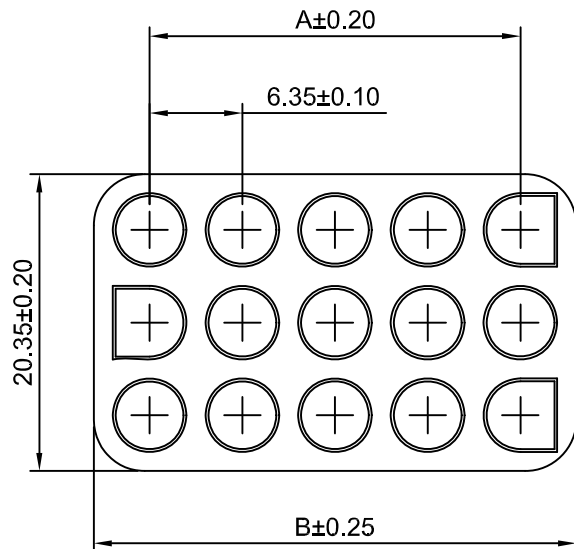
深圳市华德共创科技有限公司

SHENZHEN HUADE CO-CREATE TECHNOLOGY CO., LTD

TEL : 0755-27129737 FAX : 0755-29940187

-TOLERANCES- UNLESS OTHERWISE SPECIFIED 公差参数表						TITLE: 6.35mm Pitch 产品名称: Interface Seal			
X.X	±0.30	X.X°	±3°	APPD: 核准:	XIE	PART NO: 产品编号: HDGC6351HF1A-XP			
X.XX	±0.30	X.XX°	±2°	CHECK: 校对:	WANG	DATE	SCALE	UNIT	CODE NUMBER
X.XXX	±0.10	X.XXX°	±1°	DRAW: 绘图:	WANG	2016-10-21	2:1	mm	A008

修订 REV	标记 MARK	修改摘要 REVISION DESCRIPTION	签名 SIGNATURE	日期 DATE
AO		NEW RELEASE	WANG	2011-7-16



Technical Requirements:

2.79mm-3.30mm insulation diameter passed European IP sealing level #5/7 (swirling dust/immersion to 1 meter for 30 minutes)

1.52mm-2.79mm insulation diameter passed European IP sealing level #5/6 (swirling dust/heavy seas)

Wire AWG range is #20-14 with insulation diameter range 1.52mm-3.30mm

Material: Silicone rubber (Blue)

Ordering Information & Dimensions

Circuits	Dimensions(mm)		Circuits	Dimensions(mm)	
	A	B		A	B
3x2P	6.35	14.00	3x4P	19.05	26.70
3x3P	12.70	20.35	3x5P	25.40	33.05



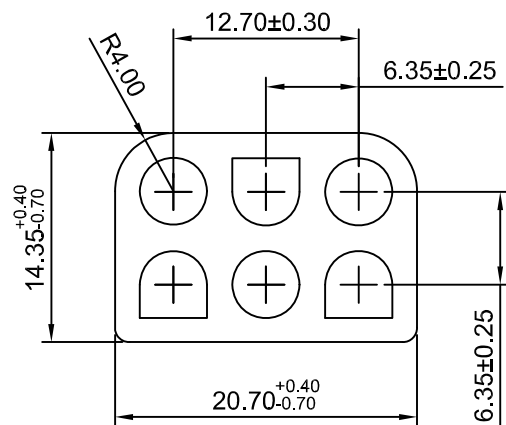
深圳市华德共创科技有限公司

SHENZHEN HUADE CO-CREATE TECHNOLOGY CO.,LTD

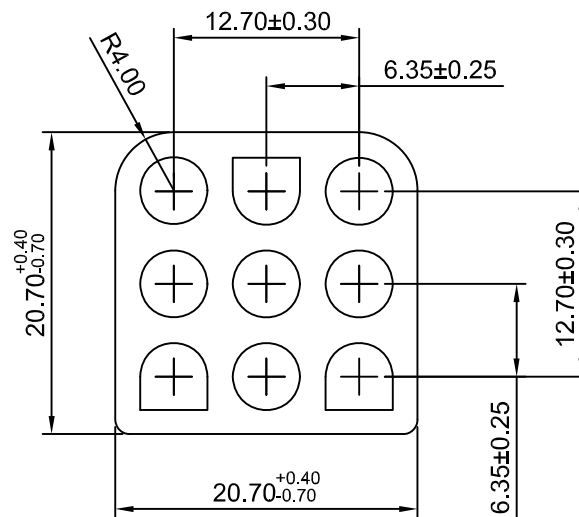
TEL : 0755-27129737 FAX : 0755-29940187

-TOLERANCES- UNLESS OTHERWISE SPECIFIED 公差参数表						TITLE: 6.35mm Pitch 产品名称: Interface Seal			
X.X	±0.30	X.X°	±3°	APPD: 核准:	XIE	PART NO: 产品编号: HDGC6351HFI-3xXP			
X.XX	±0.30	X.XX°	±2°	CHECK: 校对:	WANG	DATE	SCALE	UNIT	CODE NUMBER
X.XXX	±0.10	X.XXX°	±1°	DRAW: 绘图:	WANG	2011-07-16	2:1	mm	A008

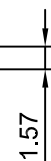
修订 REV	标记 MARK	修改摘要 REVISION DESCRIPTION	签名 SIGNATURE	日期 DATE
AO		NEW RELEASE	WANG	2016-10-21



HDGC6351HFIA-3x2P



HDGC6351HFIA-3x3P



Technical Requirements:

2.79mm-3.30mm insulation diameter passed European IP sealing level #5/7 (swirling dust/immersion to 1 meter for 30 minutes)

1.52mm-2.79mm insulation diameter passed European IP sealing level #5/6 (swirling dust/heavy seas)

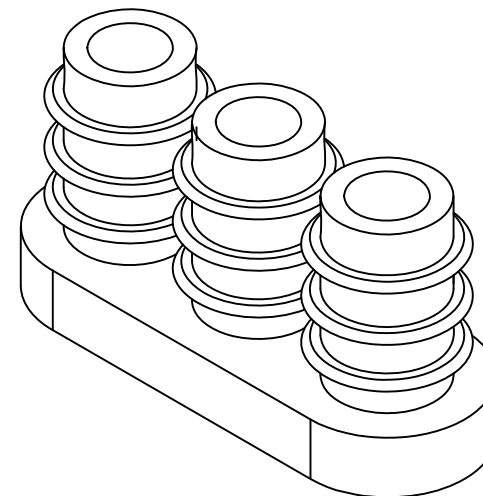
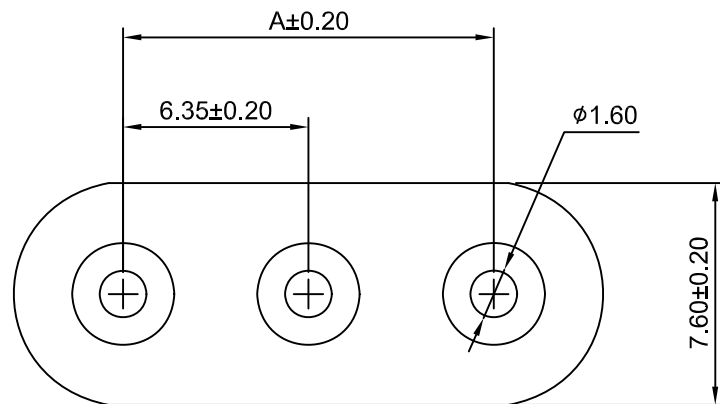
Wire AWG range is #20-14 with insulation diameter range 1.52mm-3.30mm

Material: Closed cell silicon foam (Black)

HDGC 深圳市华德共创科技有限公司
 SHENZHEN HUADE CO-CREATE TECHNOLOGY CO., LTD
 TEL : 0755-27129737 FAX : 0755-29940187

-TOLERANCES- UNLESS OTHERWISE SPECIFIED 公差参数表						TITLE: 6.35mm Pitch 产品名称: Interface Seal			
X.X	±0.30	X.X°	±3°	APPD: 核准:	XIE	PART NO: 产品编号: HDGC6351HFIA-3xXP			
X.XX	±0.30	X.XX°	±2°	CHECK: 校对:	WANG	DATE	SCALE	UNIT	CODE NUMBER
X.XXX	±0.10	X.XXX°	±1°	DRAW: 绘图:	WANG	2016-10-21	2:1	mm	A008

修订 REV	标记 MARK	修改摘要 REVISION DESCRIPTION	签名 SIGNATURE	日期 DATE
AO		NEW RELEASE	WANG	2011-7-16



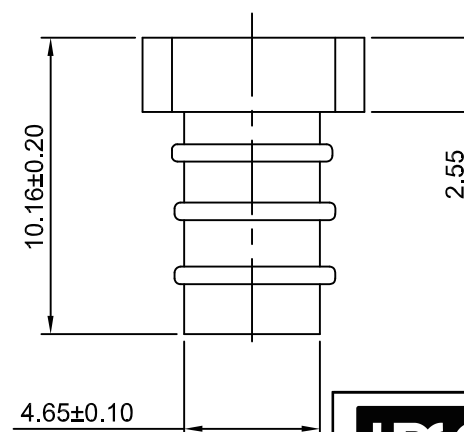
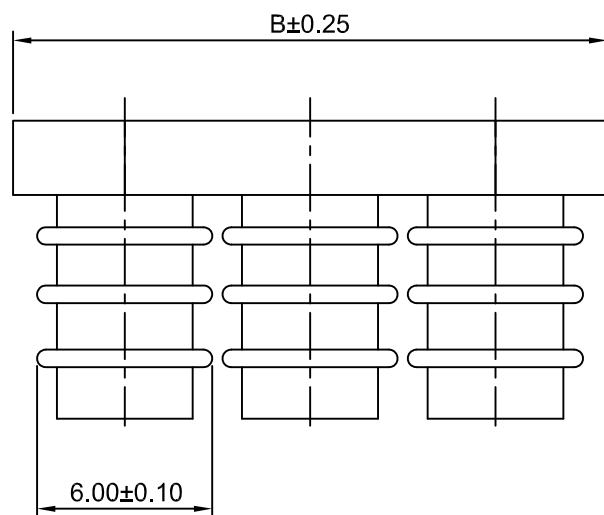
Technical Requirements:

2.79mm-3.30mm insulation diameter passed European IP sealing level #5/7 (swirling dust/immersion to 1 meter for 30 minutes)

1.52mm-2.79mm insulation diameter passed European IP sealing level #5/6 (swirling dust/heavy seas)

Wire AWG range is #20-14 with insulation diameter range 1.52mm-3.30mm

Material: Silicone rubber (Blue)



Ordering Information & Dimensions

Circuits	Dimensions(mm)		Circuits	Dimensions(mm)	
	A	B		A	B
2P	6.35	14.00	4P	19.05	26.70
3P	12.70	20.35	5P	25.40	33.05



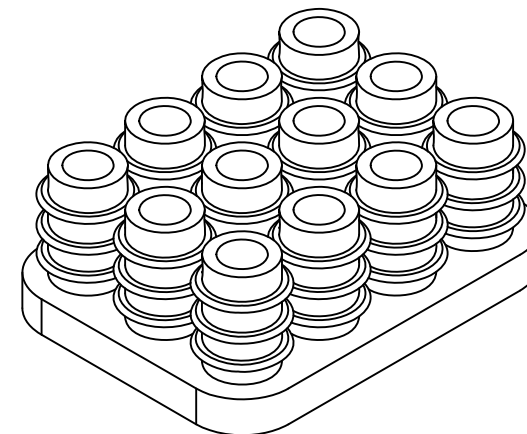
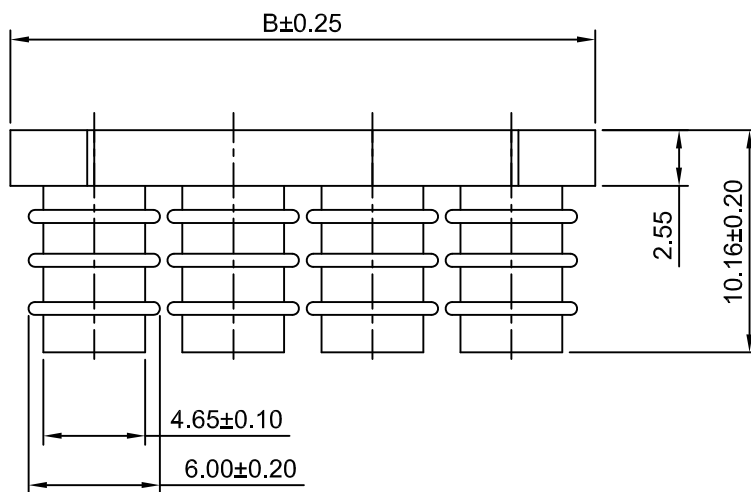
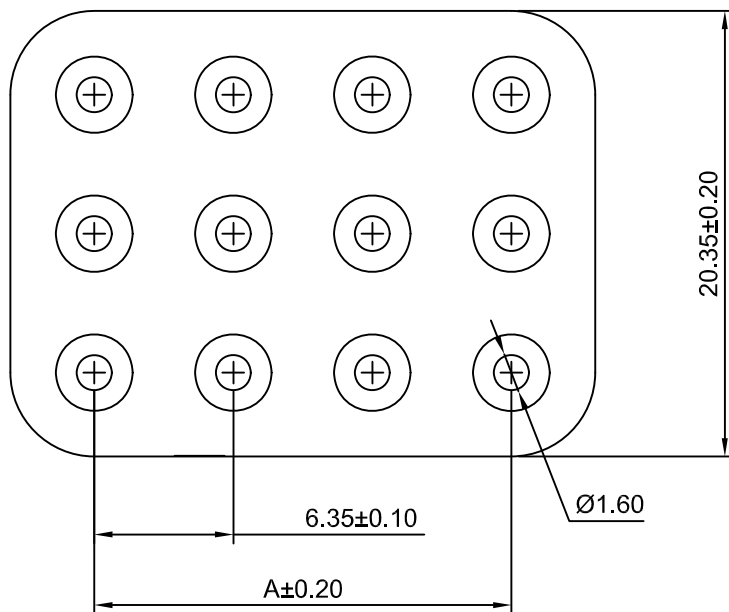
深圳市华德共创科技有限公司

SHENZHEN HUADE CO-CREATE TECHNOLOGY CO., LTD

TEL : 0755-27129737 FAX : 0755-29940187

-TOLERANCES- UNLESS OTHERWISE SPECIFIED 公差参数表				 		TITLE: 产品名称: 6.35mm Pitch Wire Seal			
X.X	±0.30	X.X°	±3°	APPD: 核准:	XIE	PART NO: 产品编号: HDGC6351S-XP			
X.XX	±0.30	X.XX°	±2°	CHECK: 校对:	WANG	DATE	SCALE	UNIT	CODE NUMBER
X.XXX	±0.10	X.XXX°	±1°	DRAW: 绘图:	WANG	2011-07-16	4:1	mm	A008

修订 REV	标记 MARK	修改摘要 REVISION DESCRIPTION	签名 SIGNATURE	日期 DATE
AO		NEW RELEASE	WANG	2011-7-16



Technical Requirements:

2.79mm-3.30mm insulation diameter passed European IP sealing level #5/7 (swirling dust/immersion to 1 meter for 30 minutes)

1.52mm-2.79mm insulation diameter passed European IP sealing level #5/6 (swirling dust/heavy seas)

Wire AWG range is #20-14 with insulation diameter range 1.52mm-3.30mm

Material: Silicone rubber (Blue)

Ordering Information & Dimensions

Circuits	Dimensions(mm)		Circuits	Dimensions(mm)	
	A	B		A	B
3x2P	6.35	14.00	3x4P	19.05	26.70
3x3P	12.70	20.35	3x5P	25.40	33.05



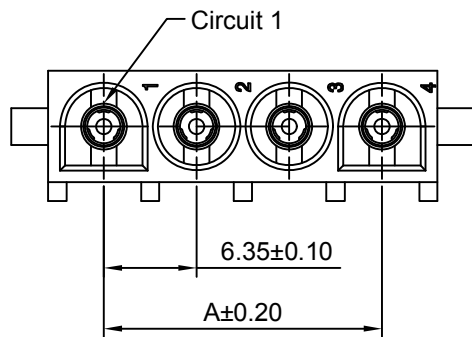
深圳市华德共创科技有限公司

SHENZHEN HUADE CO-CREATE TECHNOLOGY CO., LTD

TEL : 0755-27129737 FAX : 0755-29940187

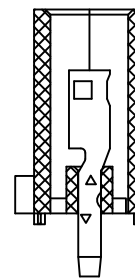
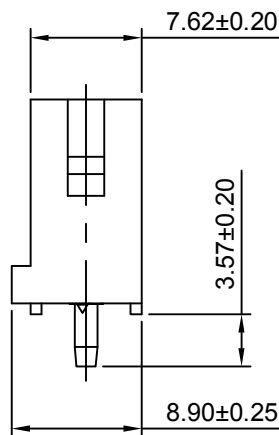
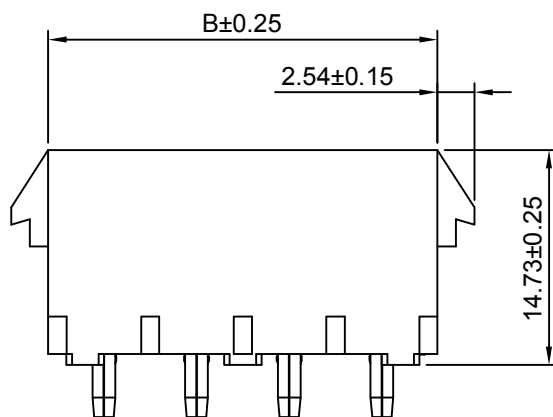
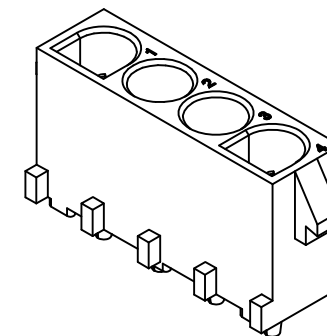
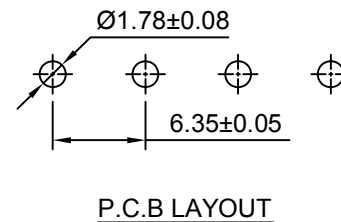
-TOLERANCES- UNLESS OTHERWISE SPECIFIED 公差参数表						TITLE: 6.35mm Pitch 产品名称: Wire Seal			
X.X	±0.30	X.X°	±3°	APPD: 核准:	XIE	PART NO: 产品编号: HDGC6351S-3xXP			
X.XX	±0.30	X.XX°	±2°	CHECK: 校对:	WANG	DATE	SCALE	UNIT	CODE NUMBER
X.XXX	±0.10	X.XXX°	±1°	DRAW: 绘图:	WANG	2011-07-16	3:1	mm	A008

修订 REV	标记 MARK	修改摘要 REVISION DESCRIPTION	签名 SIGNATURE	日期 DATE
AO		NEW RELEASE	WANG	2011-7-16



Ordering Information:
HDGC6351WV-XP-F - ^{**}/₂

- 1.Part No.
- 2.Material:
 (blank): UL94V-2/Natural
 V0: UL94V-0/White

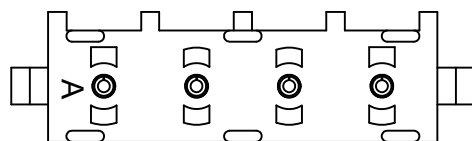


SPECIFICATIONS:

- Current Rating: 19A AC,DC(Max)
- Voltage Rating: 600V AC,DC
- Temperature Range: -25°C ~ +85°C
- Contact Resistance: 3.5mΩ Max
- Insulation Resistance: 1000MΩ Min
- Withstanding Voltage: 5000V AC/minute
- Pin Material: Brass/Tin over Nickel
- Material: Nylon 66,UL94V-2(Natural)

Ordering Information & Dimensions

Circuits	Dimensions(mm)		Circuits	Dimensions(mm)	
	A	B		A	B
2P	6.35	13.97	5P	25.40	33.02
3P	12.70	20.82	6P	31.75	39.37
4P	19.05	26.67	8P	44.45	52.07

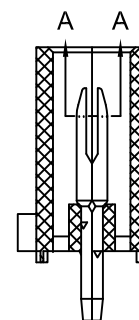
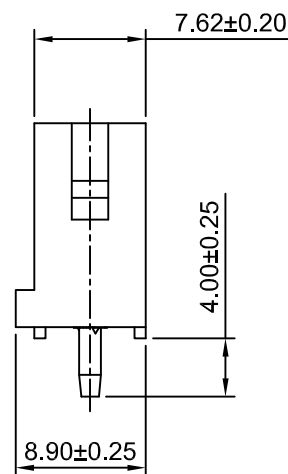
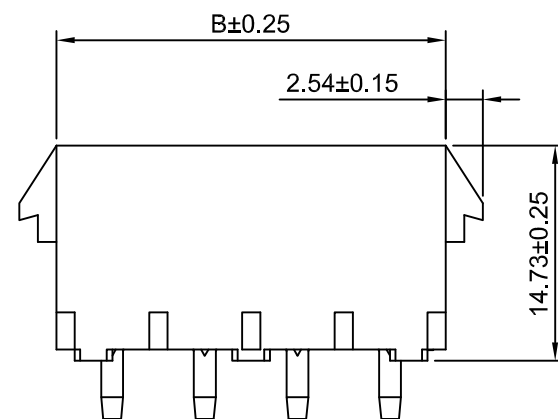
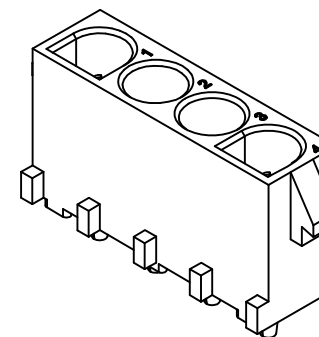
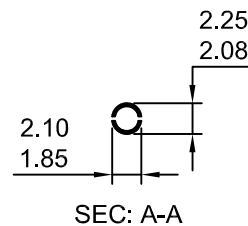
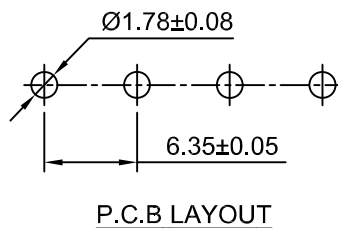
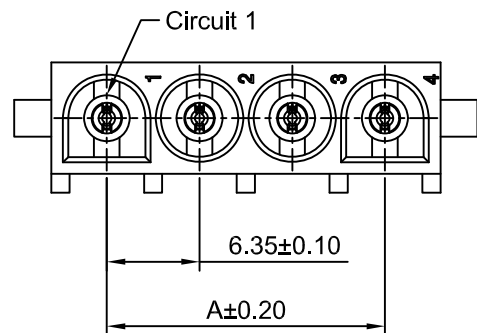




深圳市华德共创科技有限公司
 SHENZHEN HUADE CO-CREATE TECHNOLOGY CO.,LTD
 TEL : 0755-27129737 FAX : 0755-29940187

-TOLERANCES- UNLESS OTHERWISE SPECIFIED 公差参数表				 	TITLE: 6.35mm Pitch 产品名称: 180° Wafer			
X.X	±0.30	X.X°	±3°	APPD: 核准: XIE	PART NO: 产品编号: HDGC6351WV-XP-F			
X.XX	±0.30	X.XX°	±2°	CHECK: 校对: WANG	DATE	SCALE	UNIT	CODE NUMBER
X.XXX	±0.10	X.XXX°	±1°	DRAW: 绘图: WANG	2011-07-16	2:1	mm	A008

修订 REV	标记 MARK	修改摘要 REVISION DESCRIPTION	签名 SIGNATURE	日期 DATE
AO		NEW RELEASE	WANG	2011-7-16

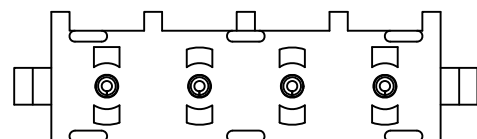


SPECIFICATIONS:

Current Rating: 19A AC,DC(Max)
Voltage Rating: 600V AC,DC
Temperature Range: -25°C~+85°C
Contact Resistance: 3.5mΩ Max
Insulation Resistance: 1000MΩ Min
Withstanding Voltage: 5000V AC/minute
Pin Material: Brass/Tin over Nickel
Material: Nylon 66, UL94V-2(Natural)

Ordering Information & Dimensions

Circuits	Dimensions(mm)		Circuits	Dimensions(mm)	
	A	B		A	B
2P	6.35	13.97	7P	38.10	45.72
3P	12.70	20.82	8P	44.45	52.07
4P	19.05	26.67	9P	50.80	58.42
5P	25.40	33.02	10P	57.15	64.77
6P	31.75	39.37			



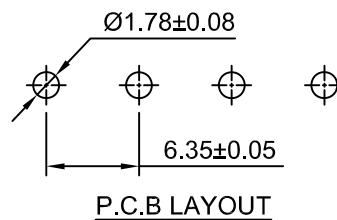
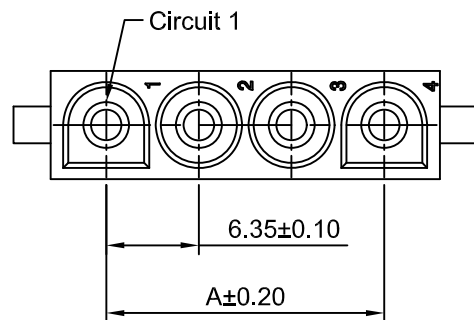
Ordering Information:
HDGC6351WV-XP-M- **
1 2

- Part No.
- Material:
(blank):UL94V-2/Natural
V0:UL94V-0/White

HDGC 深圳市华德共创科技有限公司
SHENZHEN HUADE CO-CREATE TECHNOLOGY CO.,LTD
TEL : 0755-27129737 FAX : 0755-29940187

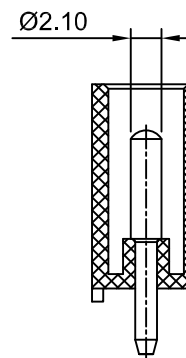
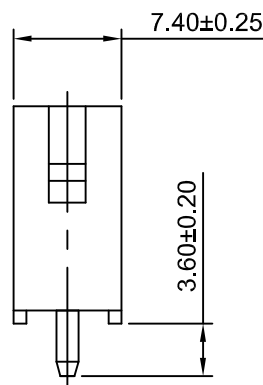
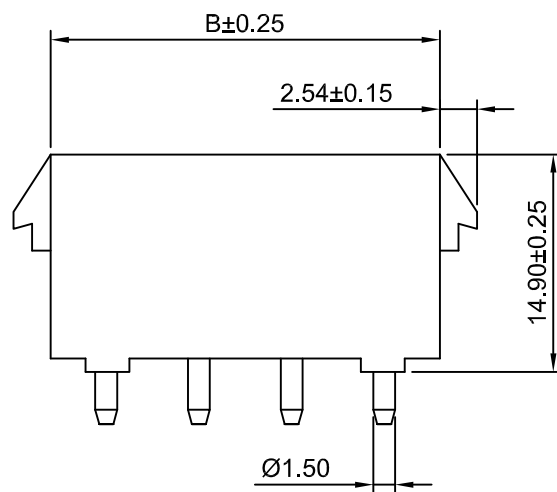
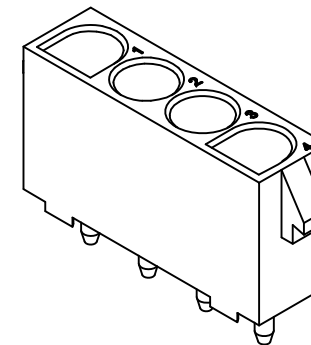
-TOLERANCES- UNLESS OTHERWISE SPECIFIED 公差参数表				TITLE: 产品名称: 6.35mm Pitch 180° Wafer				
X.X	±0.30	X.X°	±3°	APPD: 核准: XIE	PART NO: 产品编号: HDGC6351WV-XP-M			
X.XX	±0.30	X.XX°	±2°	CHECK: 校对: WANG	DATE	SCALE	UNIT	CODE NUMBER
X.XXX	±0.10	X.XXX°	±1°	DRAW: 绘图: WANG	2011-07-16	2:1	mm	A008

修订 REV	标记 MARK	修改摘要 REVISION DESCRIPTION	签名 SIGNATURE	日期 DATE
AO		NEW RELEASE	WANG	2011-7-16



Ordering Information:
HDGC6351WV-XP-R - **
 1 2

1.Part No.
 2.Material:
 (blank):UL94V-2/Natural
 V0:UL94V-0/White

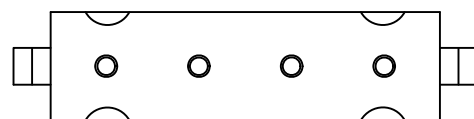


SPECIFICATIONS:

Current Rating: 19A AC,DC(Max)
 Voltage Rating: 600V AC,DC
 Temperature Range: -25°C~+85°C
 Contact Resistance: 3.5mΩ Max
 Insulation Resistance: 1000MΩ Min
 Withstanding Voltage: 5000V AC/minute
 Pin Material: Brass/Silver over Nickel
 Material: Nylon 66,UL94V-2(Natural)

Ordering Information & Dimensions

Circuits	Dimensions(mm)		Circuits	Dimensions(mm)	
	A	B		A	B
2P	6.35	13.97	5P	25.40	33.02
3P	12.70	20.82	6P	31.75	39.37
4P	19.05	26.67	8P	44.45	52.07



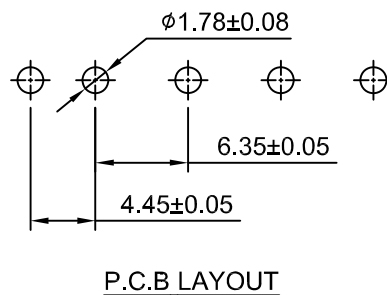
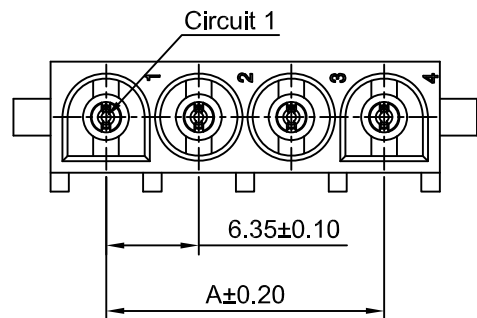
深圳市华德共创科技有限公司

SHENZHEN HUADE CO-CREATE TECHNOLOGY CO.,LTD

TEL : 0755-27129737 FAX : 0755-29940187

-TOLERANCES- UNLESS OTHERWISE SPECIFIED 公差参数表					TITLE: 6.35mm Pitch 产品名称: 180° Wafer			
X.X	±0.30	X.X° ±3°	APPD: 核准:	XIE	PART NO: 产品编号: HDGC6351WV-XP-R			
X.XX	±0.30	X.XX° ±2°	CHECK: 校对:	WANG	DATE	SCALE	UNIT	CODE NUMBER
X.XXX	±0.10	X.XXX° ±1°	DRAW: 绘图:	WANG	2011-07-16	2:1	mm	A008

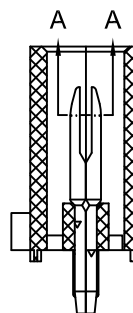
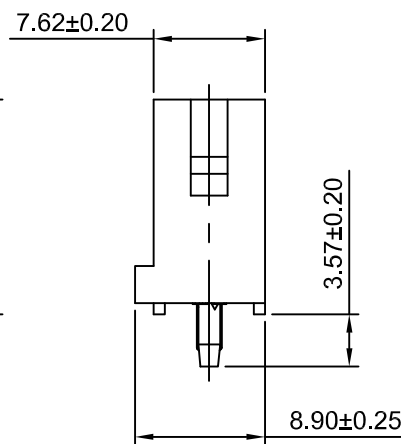
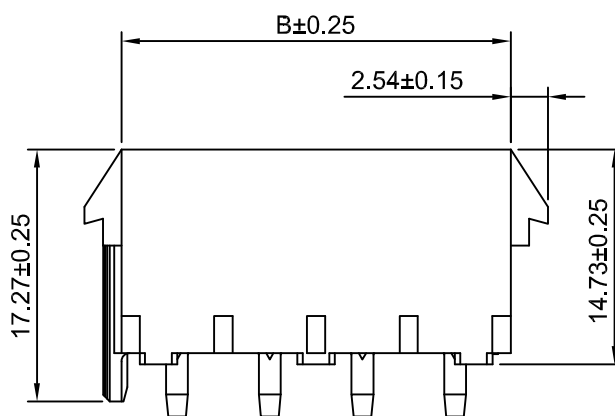
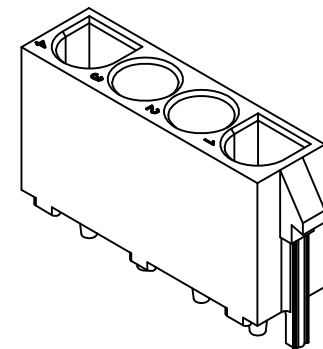
修订 REV	标记 MARK	修改摘要 REVISION DESCRIPTION	签名 SIGNATURE	日期 DATE
AO		NEW RELEASE	WANG	2011-7-16



Ordering Information:

HDGC6351WV-F-XP-M - *** - *
1 2 3

- Part No.
- Material:
(blank):Nylon 66,UL94V-2/Natural
V0:Nylon 66,UL94V-0/White
GWT:Nylon 66,UL94V-0,GWT 750°C
- Finish:
(blank):Tin over Nickel
G:Gold over Nickel

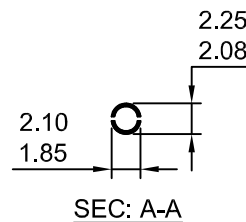
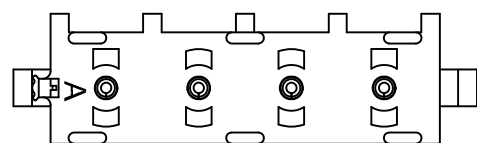


SPECIFICATIONS:

Current Rating: 19A AC,DC(Max)
Voltage Rating: 600V AC,DC
Temperature Range: -25°C~+85°C
Contact Resistance: 3.5mΩ Max
Insulation Resistance: 1000MΩ Min
Withstanding Voltage: 5000V AC/minute
Pin Material: Brass/Tin over Nickel
Material: Nylon 66,UL94V-2(Natural)

Ordering Information & Dimensions

Circuits	Dimensions(mm)		Circuits	Dimensions(mm)	
	A	B		A	B
2P	6.35	13.97	5P	25.40	33.02
3P	12.70	20.82	6P	31.75	39.37
4P	19.05	26.67	8P	44.45	52.07



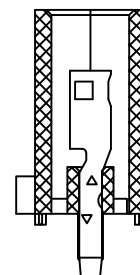
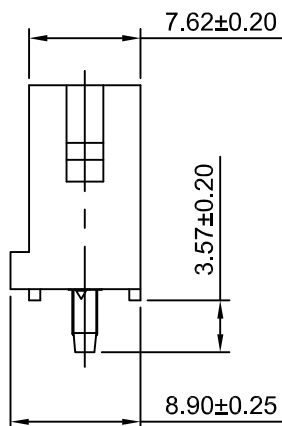
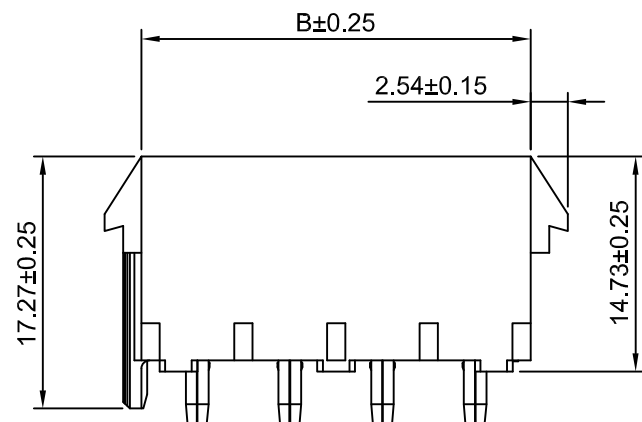
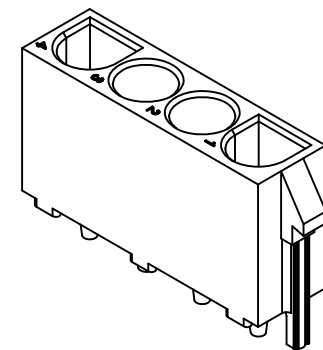
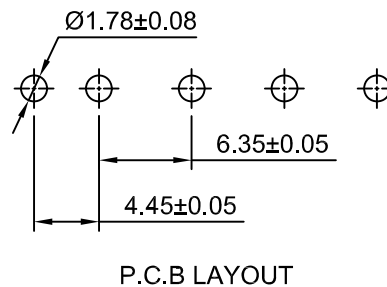
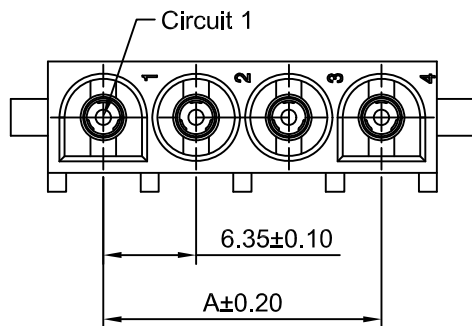
深圳市华德共创科技有限公司

SHENZHEN HUADE CO-CREATE TECHNOLOGY CO.,LTD

TEL : 0755-27129737 FAX : 0755-29940187

-TOLERANCES- UNLESS OTHERWISE SPECIFIED 公差参数表				TITLE: 产品名称: 6.35mm Pitch 180° Wafer	
X.X	±0.30	X.X°	±3°	APPD: 核准:	XIE
X.XX	±0.30	X.XX°	±2°	CHECK: 校对:	WANG
X.XXX	±0.10	X.XXX°	±1°	DRAW: 绘图:	WANG
PART NO: 产品编号:				HDGC6351WV-F-XP-M	
DATE		SCALE	UNIT	CODE NUMBER	
2011-07-16		2:1	mm	A008	

修订 REV	标记 MARK	修改摘要 REVISION DESCRIPTION	签名 SIGNATURE	日期 DATE
AO		NEW RELEASE	WANG	2011-7-16

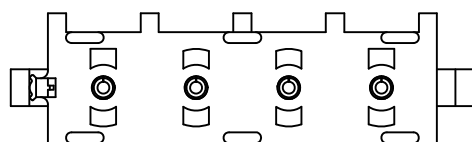


SPECIFICATIONS:

Current Rating: 19A AC,DC(Natural)
Voltage Rating: 600V AC,DC
Temperature Range: -25°C~+85°C
Contact Resistance: 3.5mΩ Max
Insulation Resistance: 1000MΩ Min
Withstanding Voltage: 5000V AC/minute
Pin Material: Brass/Tin over Nickel
Material: Nylon 66,UL94V-2(Natural)

Ordering Information & Dimensions

Circuits	Dimensions(mm)		Circuits	Dimensions(mm)	
	A	B		A	B
2P	6.35	13.97	5P	25.40	33.02
3P	12.70	20.82	6P	31.75	39.37
4P	19.05	26.67	8P	44.45	52.07





深圳市华德共创科技有限公司
SHENZHEN HUADE CO-CREATE TECHNOLOGY CO.,LTD
TEL : 0755-27129737 FAX : 0755-29940187

-TOLERANCES- UNLESS OTHERWISE SPECIFIED 公差参数表				TITLE: 6.35mm Pitch 产品名称: 180° Wafer			
X.X	±0.30	X.X° ±3°	APPD: 核准: XIE	PART NO: 产品编号: HDGC6351WV-F-XP-F			
X.XX	±0.30	X.XX° ±2°	CHECK: 校对: WANG	DATE	SCALE	UNIT	CODE NUMBER
X.XXX	±0.10	X.XXX° ±1°	DRAW: 绘图: WANG	2011-07-16	2:1	mm	A008

修订 REV	标记 MARK	修改摘要 REVISION DESCRIPTION	签名 SIGNATURE	日期 DATE
AO		NEW RELEASE	WANG	2011-7-16

Ordering Information:

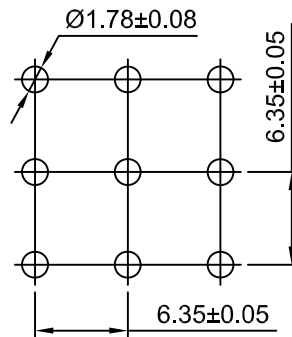
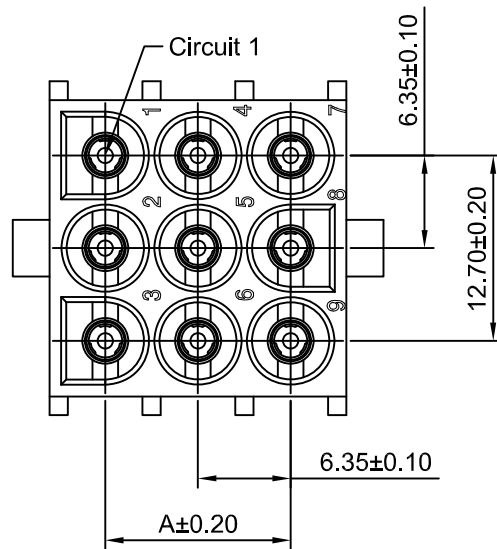
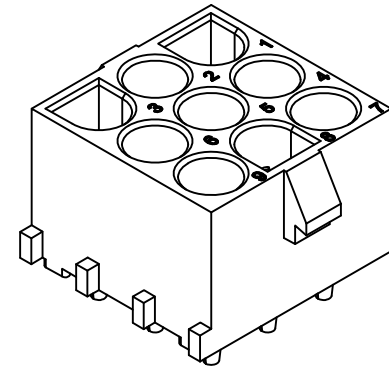
HDGC6351WV-3xXP-F - **
1 2

1.Part No.

2.Material:

(blank):UL94V-2/Natural

V0:UL94V-0/White



P.C.B LAYOUT

SPECIFICATIONS:

Current Rating: 19A AC,DC(Max)

Voltage Rating: 600V AC,DC

Temperature Range: -25°C~+85°C

Contact Resistance: 3.5mΩ Max

Insulation Resistance: 1000MΩ Min

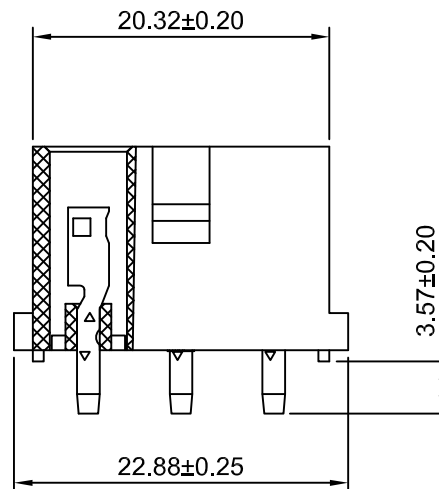
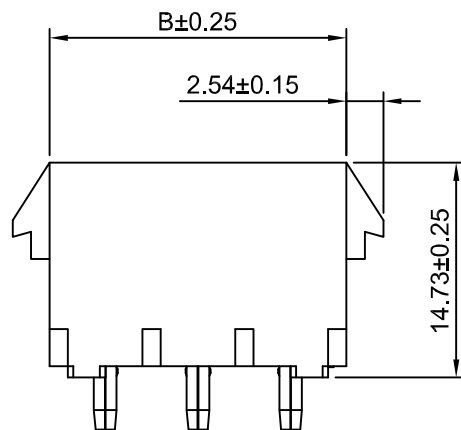
Withstanding Voltage: 5000V AC/minute

Pin Material: Brass/Tin over Nickel

Material: Nylon 66,UL94V-2(Natural)

Ordering Information & Dimensions

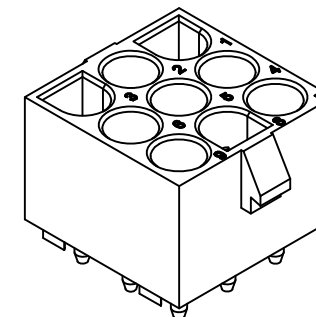
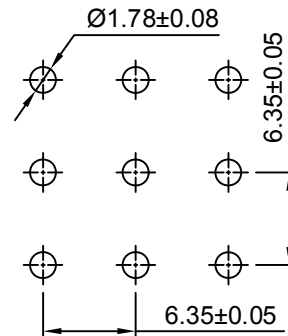
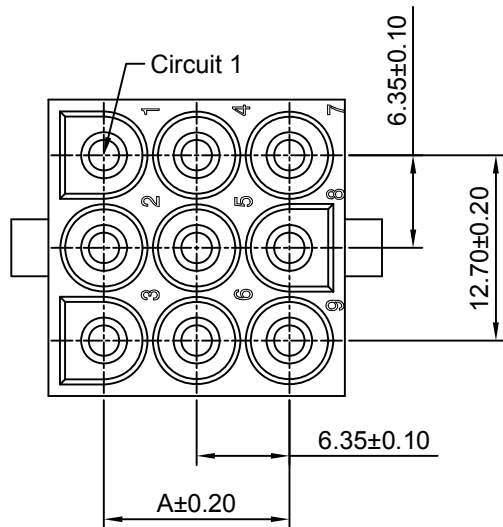
Circuits	Dimensions(mm)		Circuits	Dimensions(mm)	
	A	B		A	B
3x2P	6.35	13.97	3x4P	19.05	26.67
3x3P	12.70	20.82	3x5P	25.40	33.02



HDGC 深圳市华德共创科技有限公司
SHENZHEN HUADE CO-CREATE TECHNOLOGY CO.,LTD
TEL : 0755-27129737 FAX : 0755-29940187

-TOLERANCES- UNLESS OTHERWISE SPECIFIED 公差参数表			 		TITLE: 6.35mm Pitch 产品名称: 180° Wafer			
X.X	±0.30	X.X°	±3°	APPD: 核准:	XIE			
X.XX	±0.30	X.XX°	±2°	CHECK: 校对:	WANG			
X.XXX	±0.10	X.XXX°	±1°	DRAW: 绘图:	WANG			
PART NO: 产品编号:					HDGC6351WV-3xXP-F			
DATE					SCALE	UNIT	CODE NUMBER	
2011-07-16					2:1	mm	A008	

修订 REV	标记 MARK	修改摘要 REVISION DESCRIPTION	签名 SIGNATURE	日期 DATE
AO		NEW RELEASE	WANG	2011-7-16



Ordering Information:
 HDGC6351WV-3xXP-R - **
 1 2

- 1.Part No.
 2.Material:
 (blank):UL94V-2/Natural
 V0:UL94V-0/White

P.C.B LAYOUT

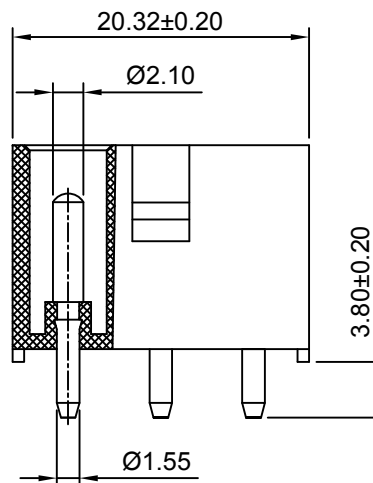
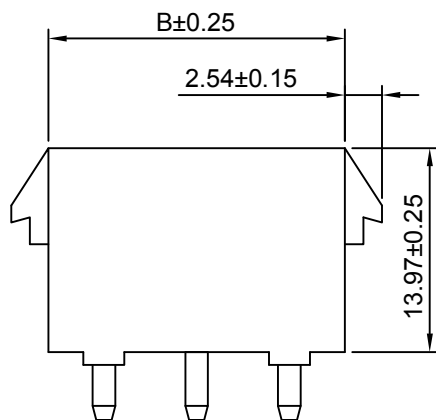
SPECIFICATIONS:

Current Rating: 15A AC,DC
 Voltage Rating: 600V AC,DC
 Temperature Range: -25°C ~ +85°C
 Contact Resistance: 3.5mΩ Max
 Insulation Resistance: 1000MΩ Min
 Withstanding Voltage: 5000V AC/minute
 Pin Material: Brass/Silver over Nickel
 Material: Nylon 66,UL94V-2

Ordering Information & Dimensions

PART NO.	Dimensions	
	A	B
HDGC6351WV-3X2P-R	6.35	13.97
HDGC6351WV-3X3P-R	12.70	20.32
HDGC6351WV-3X4P-R	19.05	26.67
HDGC6351WV-3X5P-R	25.40	33.02

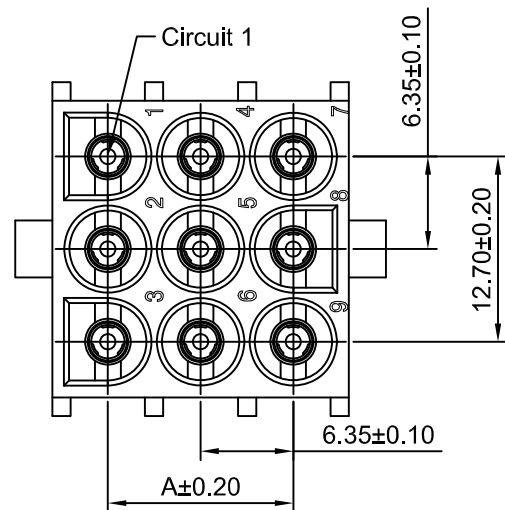
Unit: mm



HDGC 深圳市华德共创科技有限公司
 SHENZHEN HUADE CO-CREATE TECHNOLOGY CO.,LTD
 TEL : 0755-27129737 FAX : 0755-29940187

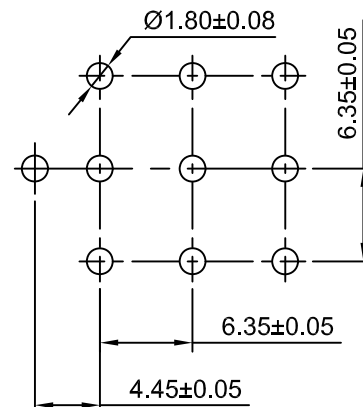
-TOLERANCES- UNLESS OTHERWISE SPECIFIED 公差参数表				TITLE: 产品名称: 6.35mm Pitch 180° Wafer	
X.X	±0.30	X.X°	±3°	APPD: 核准:	XIE
X.XX	±0.30	X.XX°	±2°	CHECK: 校对:	WANG
X.XXX	±0.10	X.XXX°	±1°	DRAW: 绘图:	WANG
PART NO: 产品编号:				HDGC6351WV-3xXP-R	
DATE		SCALE	UNIT	CODE NUMBER	
2011-07-16		1:1	mm	A008	

修订 REV	标记 MARK	修改摘要 REVISION DESCRIPTION	签名 SIGNATURE	日期 DATE
AO		NEW RELEASE	WANG	2011-7-16

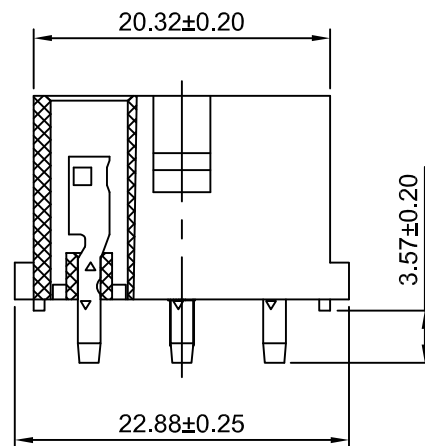
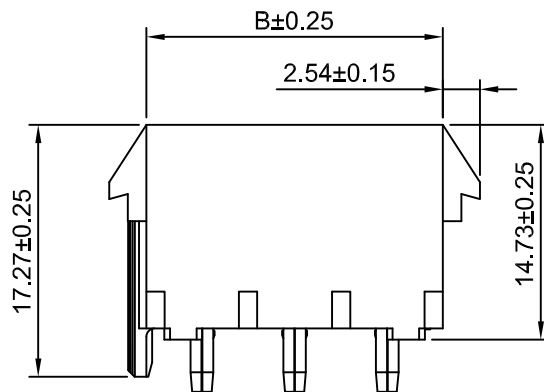
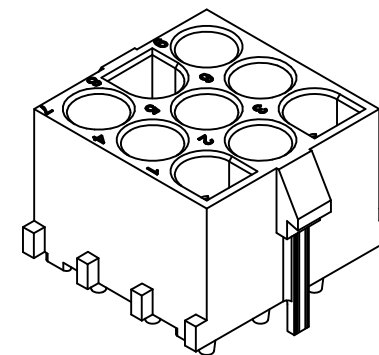


Ordering Information:
 HDGC6351WV-F-3xXP-F - **
 1 2

- 1.Part No.
- 2.Material:
 (blank):UL94V-2/Natural
 V0:UL94V-0/White



P.C.B LAYOUT

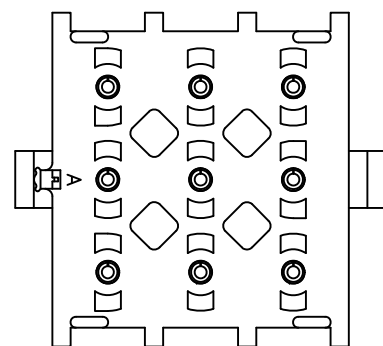


SPECIFICATIONS:

- Current Rating: 19A AC,DC (Max)
- Voltage Rating: 600V AC,DC
- Temperature Range: -25°C~+85°C
- Contact Resistance: 3.5mΩ Max
- Insulation Resistance: 1000MΩ Min
- Withstanding Voltage: 5000V AC/minute
- Pin Material: Brass/Tin over Nickel
- Material: Nylon 66,UL94V-2 (Natural)

Ordering Information & Dimensions

Circuits	Dimensions(mm)		Circuits	Dimensions(mm)	
	A	B		A	B
3x2P	6.35	13.97	3x4P	19.05	26.67
3x3P	12.70	20.82	3x5P	25.40	33.02



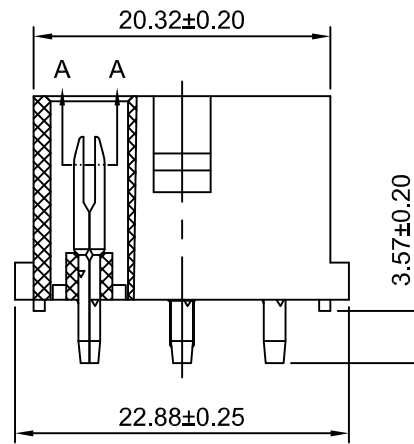
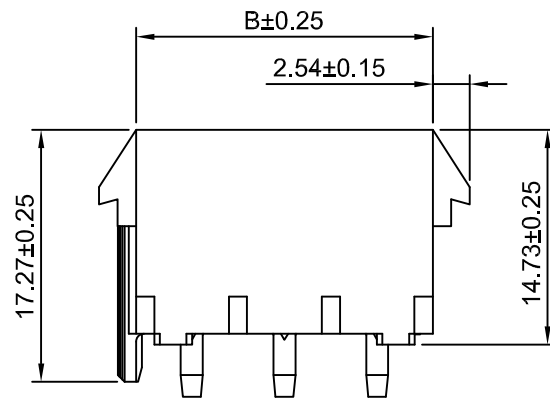
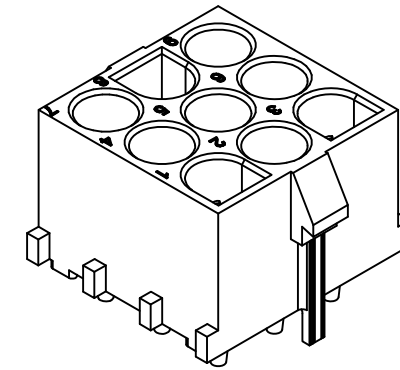
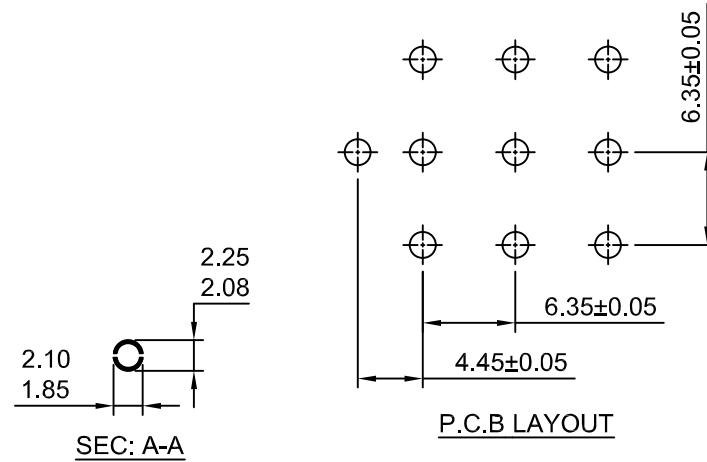
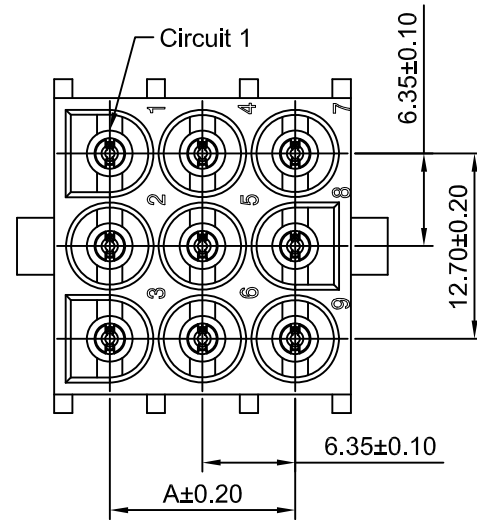
深圳市华德共创科技有限公司

SHENZHEN HUADE CO-CREATE TECHNOLOGY CO.,LTD

TEL : 0755-27129737 FAX : 0755-29940187

-TOLERANCES- UNLESS OTHERWISE SPECIFIED 公差参数表			TITLE: 产品名称: 6.35mm Pitch 180° Wafer	
X.X	±0.30	X.X° ±3°	APPD: 核准: XIE	PART NO: 产品编号: HDGC6351WV-F-3xXP-F
X.XX	±0.30	X.XX° ±2°	CHECK: 校对: WANG	DATE
X.XXX	±0.10	X.XXX° ±1°	DRAW: 绘图: WANG	SCALE
				UNIT
				CODE NUMBER
				A008

修订 REV	标记 MARK	修改摘要 REVISION DESCRIPTION	签名 SIGNATURE	日期 DATE
AO		NEW RELEASE	WANG	2011-7-16



SPECIFICATIONS:

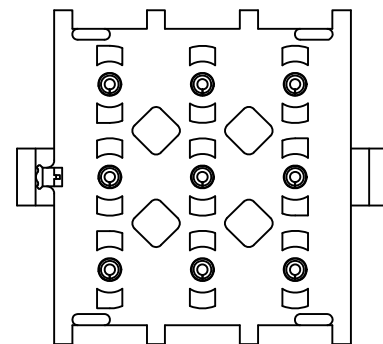
Current Rating: 19A AC,DC(Max)
Voltage Rating: 600V AC,DC
Temperature Range: -25°C~+85°C
Contact Resistance: 3.5mΩ Max
Insulation Resistance: 1000MΩ Min
Withstanding Voltage: 5000V AC/minute
Pin Material: Brass/Tin over Nickel
Material: Nylon 66,UL94V-2(Natural)

Ordering Information & Dimensions

Circuits	Dimensions(mm)		Circuits	Dimensions(mm)	
	A	B		A	B
3x2P	6.35	13.97	3x4P	19.05	26.67
3x3P	12.70	20.82	3x5P	25.40	33.02

Ordering Information:
HDGC6351WV-F-3xXP-M - **
1 2

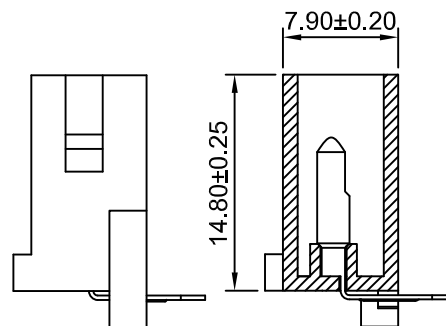
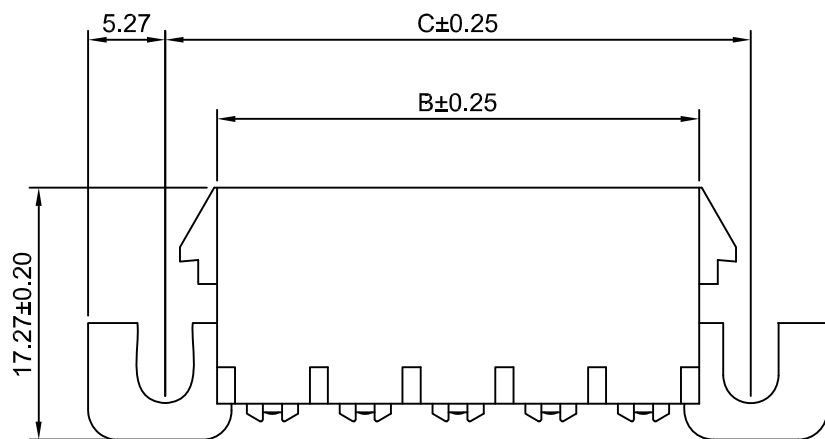
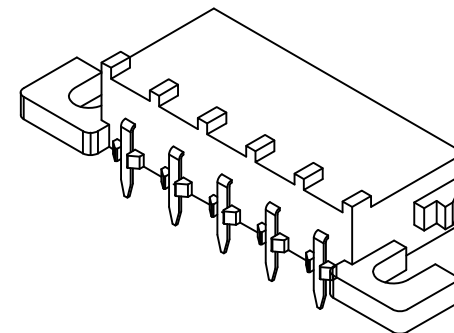
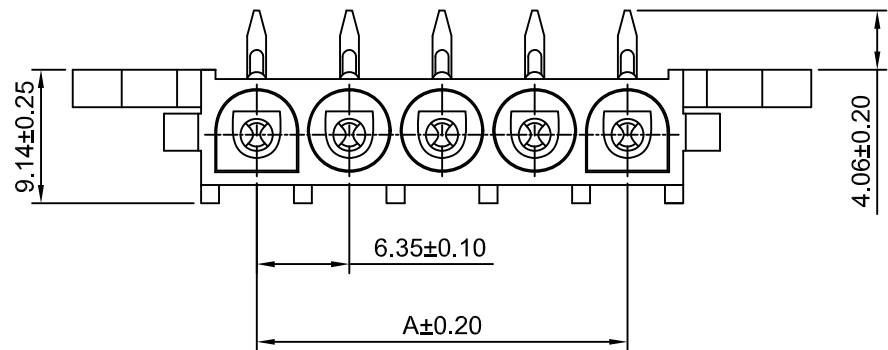
1.Part No.
2.Material;
(blank):UL94V-2/Natural
V0:UL94V-0/White



HDGC 深圳市华德共创科技有限公司
SHENZHEN HUADE CO-CREATE TECHNOLOGY CO.,LTD
TEL : 0755-27129737 FAX : 0755-29940187

-TOLERANCES- UNLESS OTHERWISE SPECIFIED 公差参数表			TITLE: 产品名称: 6.35mm Pitch 180° Wafer	
X.X	±0.30	X.X° ±3°	APPD: 核准: XIE	PART NO: 产品编号: HDGC6351WV-F-3xXP-M
X.XX	±0.30	X.XX° ±2°	CHECK: 校对: WANG	DATE
X.XXX	±0.10	X.XXX° ±1°	DRAW: 绘图: WANG	SCALE
			UNIT	CODE NUMBER
			2:1	mm
				A008

修订 REV	标记 MARK	修改摘要 REVISION DESCRIPTION	签名 SIGNATURE	日期 DATE
AO		NEW RELEASE	WANG	2011-7-16

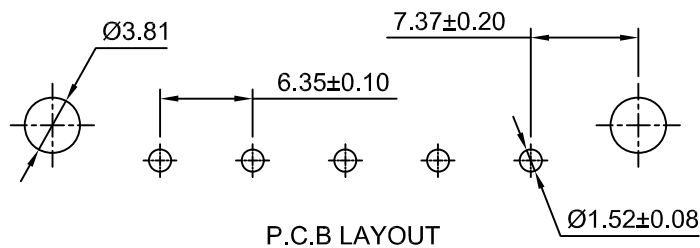


SPECIFICATIONS:

Current Rating: 19A AC,DC(Max)
Voltage Rating: 600V AC,DC
Temperature Range: -25°C~+85°C
Contact Resistance: 3.5mΩ Max
Insulation Resistance: 1000MΩ Min
Withstanding Voltage: 5000V AC/minute
Pin Material: Brass/Tin over Nickel
Material: Nylon 66,UL94V-0(White)

Ordering Information & Dimensions

Circuits	Dimensions(mm)			Circuits	Dimensions(mm)		
	A	B	C		A	B	C
2P	6.35	13.97	21.08	7P	38.10	45.72	52.83
3P	12.70	20.32	27.43	8P	44.45	52.07	59.18
4P	19.05	26.67	33.78	9P	50.08	58.42	65.53
5P	25.40	33.02	40.13	10P	57.15	64.77	71.88
6P	31.75	39.37	46.48				



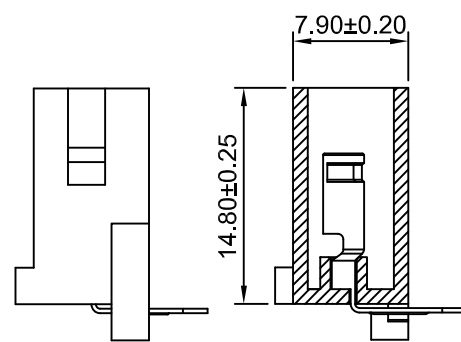
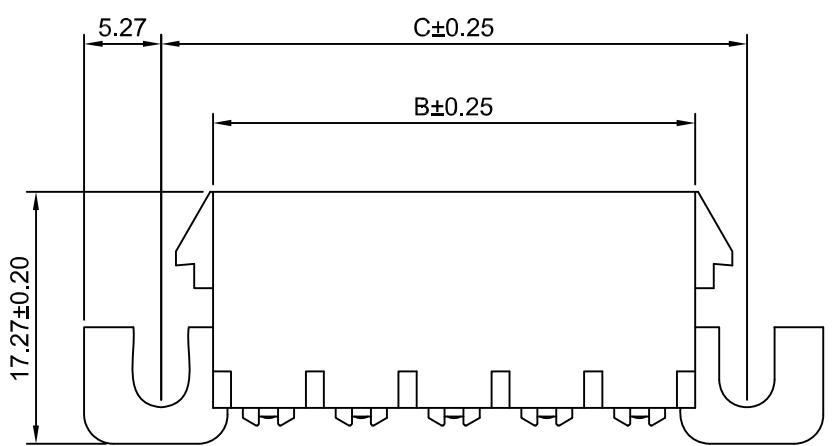
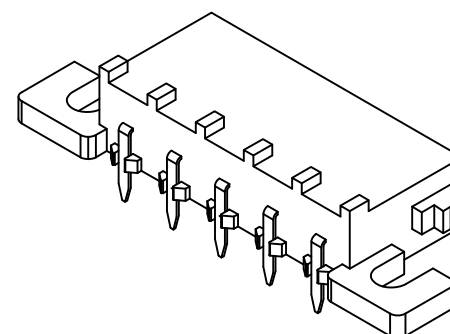
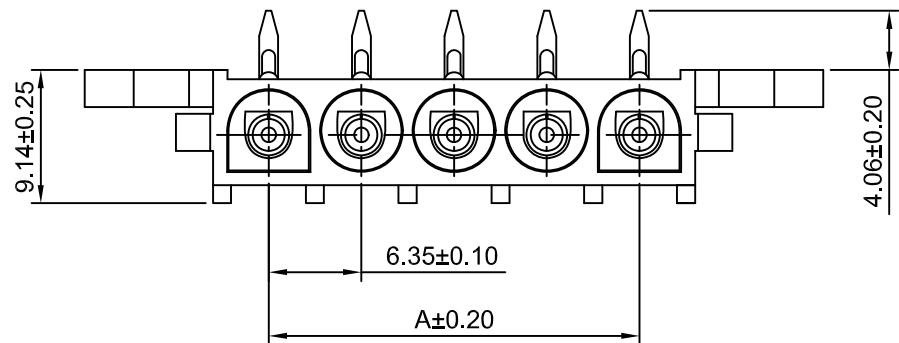
深圳市华德共创科技有限公司

SHENZHEN HUADE CO-CREATE TECHNOLOGY CO.,LTD

TEL : 0755-27129737 FAX : 0755-29940187

-TOLERANCES- UNLESS OTHERWISE SPECIFIED 公差参数表				TITLE: 6.35mm Pitch 产品名称: 90° Wafer					
X.X	±0.30	X.X°	±3°	APPD: 核准:	XIE				
X.XX	±0.30	X.XX°	±2°	CHECK: 校对:	WANG	DATE	SCALE	UNIT	CODE NUMBER
X.XXX	±0.10	X.XXX°	±1°	DRAW: 绘图:	WANG	2011-07-16	2:1	mm	A008

修订 REV	标记 MARK	修改摘要 REVISION DESCRIPTION	签名 SIGNATURE	日期 DATE
AO		NEW RELEASE	WANG	2011-7-16

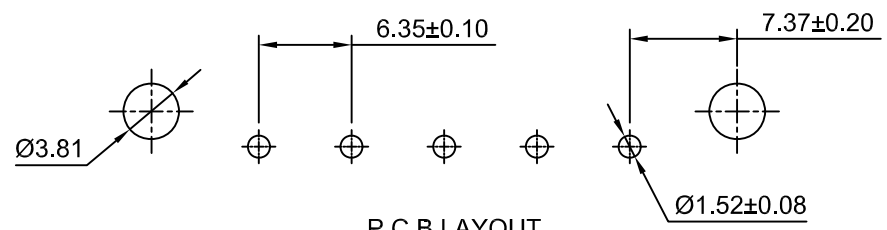


SPECIFICATIONS:

Current Rating: 19A AC,DC(Max)
Voltage Rating: 600V AC,DC
Temperature Range: -25°C~+85°C
Contact Resistance: 3.5mΩ Max
Insulation Resistance: 1000MΩ Min
Withstanding Voltage: 5000V AC/minute
Pin Material: Brass/Tin over Nickel
Material: Nylon 66,UL94V-0(White)

Ordering Information & Dimensions

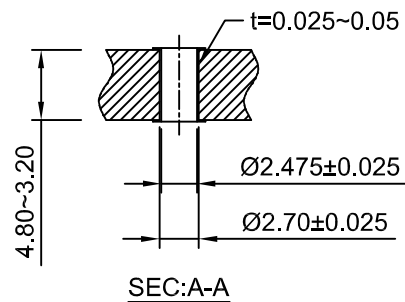
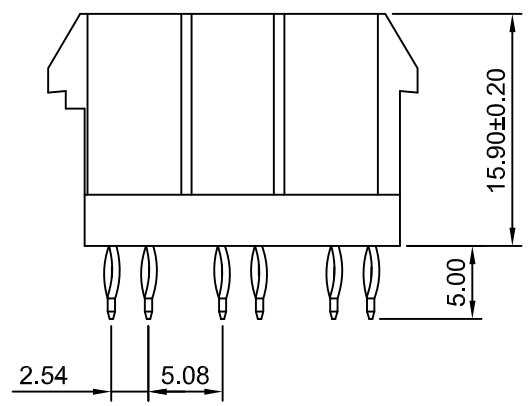
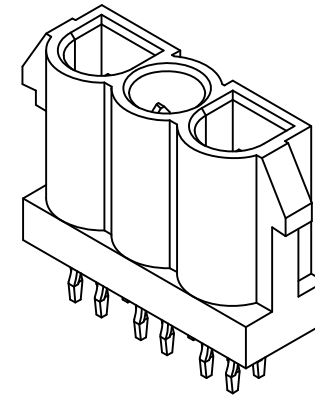
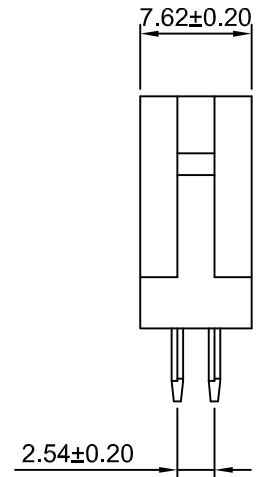
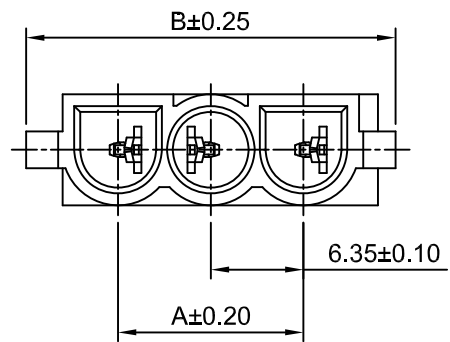
Circuits	Dimensions(mm)			Circuits	Dimensions(mm)		
	A	B	C		A	B	C
2P	6.35	13.97	21.08	7P	38.10	45.72	52.83
3P	12.70	20.32	27.43	8P	44.45	52.07	59.18
4P	19.05	26.67	33.78	9P	50.08	58.42	65.53
5P	25.40	33.02	40.13	10P	57.15	64.77	71.88
6P	31.75	39.37	46.48				



深圳市华德共创科技有限公司
SHENZHEN HUADE CO-CREATE TECHNOLOGY CO.,LTD
TEL : 0755-27129737 FAX : 0755-29940187

-TOLERANCES- UNLESS OTHERWISE SPECIFIED 公差参数表				TITLE: 6.35mm Pitch 产品名称: 90° Wafer							
X.X	±0.30	X.X°	±3°	APPD: 核准:	XIE			PART NO: 产品编号:	HDGC6351WR-XP-F		
X.XX	±0.30	X.XX°	±2°	CHECK: 校对:	WANG			DATE	SCALE	UNIT	CODE NUMBER
X.XXX	±0.10	X.XXX°	±1°	DRAW: 绘图:	WANG			2011-07-16	2:1	mm	A008

修订 REV	标记 MARK	修改摘要 REVISION DESCRIPTION	签名 SIGNATURE	日期 DATE
AO		NEW RELEASE	WANG	2011-7-16

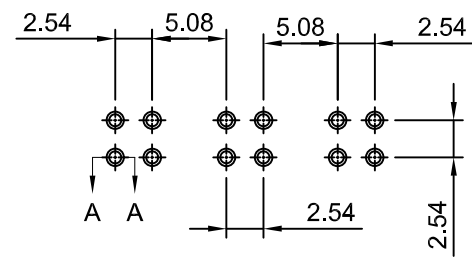


SPECIFICATIONS:

Current Rating: 19A AC,DC(Max)
Voltage Rating: 600V AC,DC
Temperature Range: -25°C~+85°C
Contact Resistance: 3.5mΩ Max
Insulation Resistance: 1000MΩ Min
Withstanding Voltage: 5000V AC/minute
Pin Material: Brass/Tin over Nickel
Material: PBT,UL94V-0(Black)

Ordering Information & Dimensions

Circuits	Dimensions(mm)		Circuits	Dimensions(mm)	
	A	B		A	B
2P	6.35	13.97	3P	12.70	25.30



P.C.B LAYOUT

HDGC 深圳市华德共创科技有限公司
SHENZHEN HUADE CO-CREATE TECHNOLOGY CO.,LTD
TEL : 0755-27129737 FAX : 0755-29940187

-TOLERANCES- UNLESS OTHERWISE SPECIFIED 公差参数表				TITLE: 产品名称: 6.35mm Pitch 180° Wafer	
X.X	±0.30	X.X°	±3°	APPD: 核准:	XIE
X.XX	±0.30	X.XX°	±2°	CHECK: 校对:	WANG
X.XXX	±0.10	X.XXX°	±1°	DRAW: 绘图:	WANG
PART NO: 产品编号:		HDGC6351WVB-XP			
DATE	SCALE	UNIT	CODE NUMBER		
2011-07-16	2:1	mm	A008		