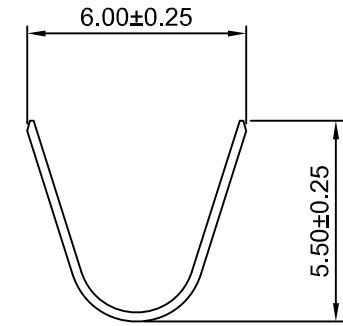
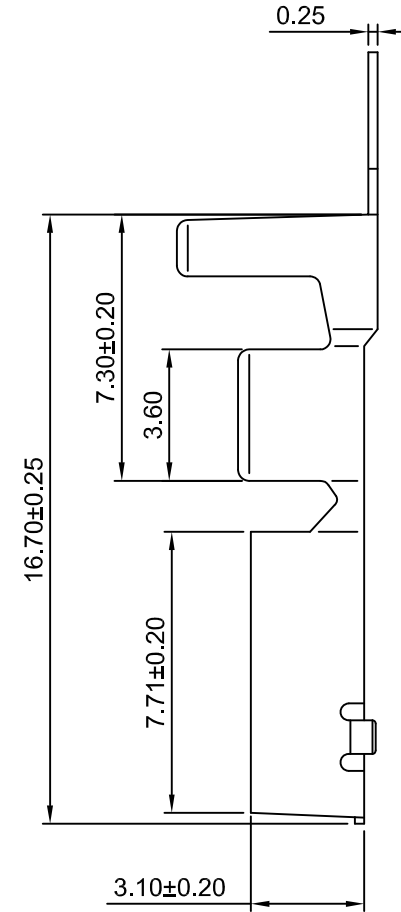
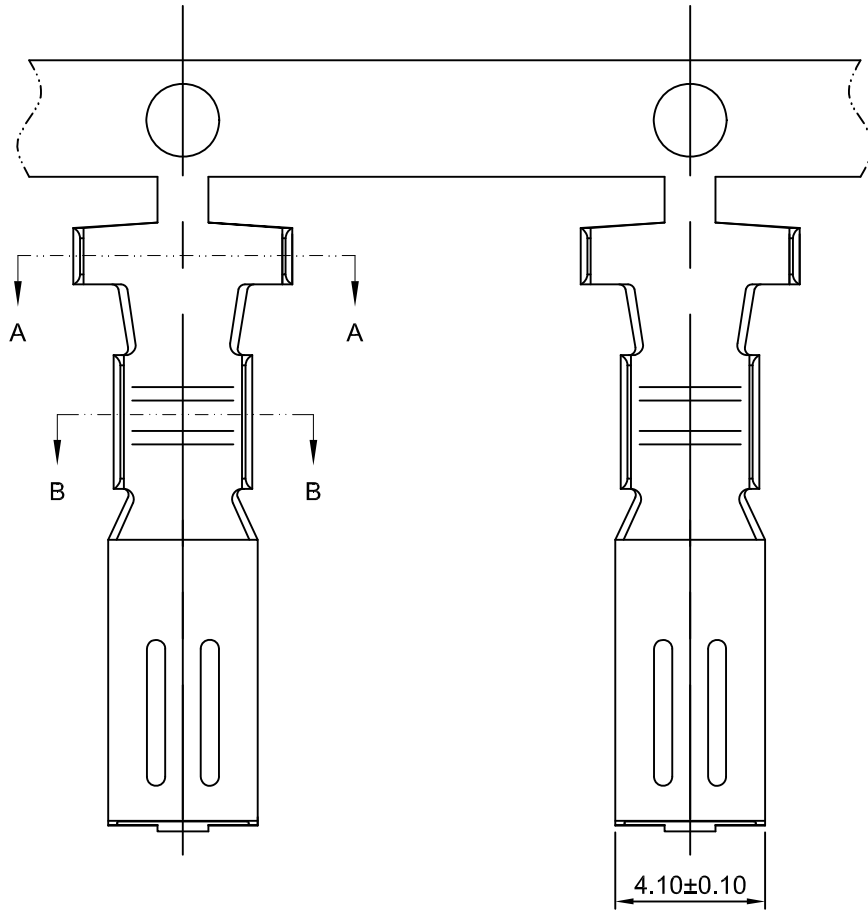
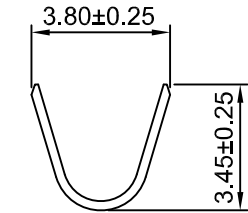


修订 REV	标记 MARK	修改摘要 REVISION DESCRIPTION	签名 SIGNATURE	日期 DATE
AO		NEW RELEASE	WANG	2011-05-12



SEC:A-A



SEC:B-B

Ordering information & Specifications

Unit:mm

Part No	Wire Range	Insultion O.D.	Material	Finish	Qty/reel
HDGC6201F-TP	AWG#14-#20	4.10mm(max)	Phosphor Bronze	Tin over Nickel	2,000 PCS
HDGC6201F-GP	AWG#14-#20	4.10mm(max)	Phosphor Bronze	Gold over Nickel	2,000 PCS

Optional Gold plating available but MOQ requested



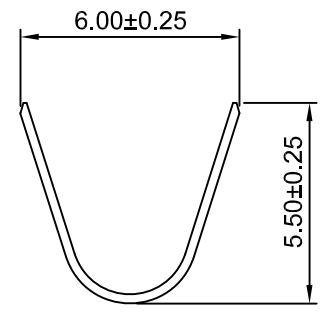
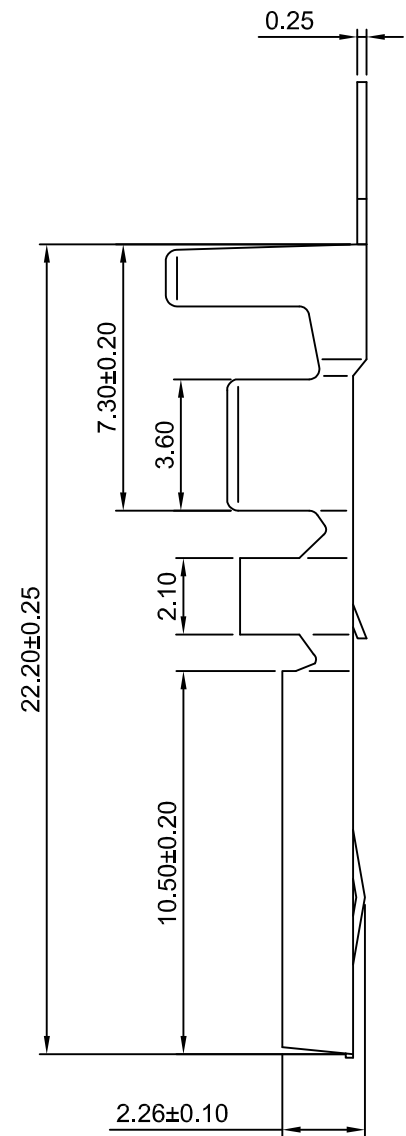
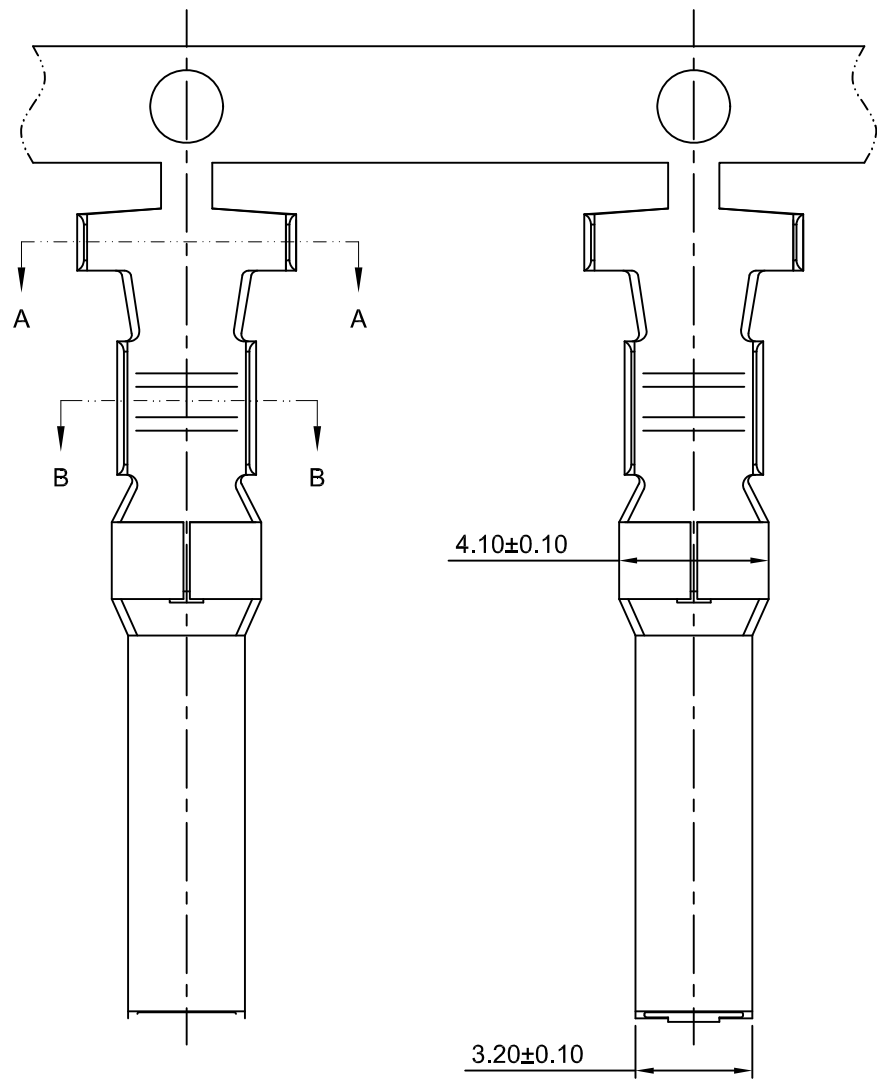
深圳市华德共创科技有限公司

SHENZHEN HUADE CO-CREATE TECHNOLOGY CO.,LTD

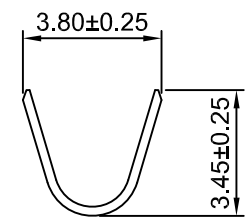
TEL : 0755-27129737 FAX : 0755-29940187

-TOLERANCES- UNLESS OTHERWISE SPECIFIED 公差参数表						TITLE: 6.20mm Pitch 产品名称: Crimp Terminal			
X.X	±0.30	X.X°	±3°	APPD: 核准:	XIE	PART NO: 产品编号: HDGC6201F-T			
X.XX	±0.30	X.XX°	±2°	CHECK: 校对:	WANG	DATE	SCALE	UNIT	CODE NUMBER
X.XXX	±0.10	X.XXX°	±1°	DRAW: 绘图:	WANG	2011-05-12	5:1	mm	A008

修订 REV	标记 MARK	修改摘要 REVISION DESCRIPTION	签名 SIGNATURE	日期 DATE
AO		NEW RELEASE	WANG	2011-05-12



SEC:A-A




SEC:B-B

Ordering information & Specifications Unit:mm

Part No	Wire Range	Insulation O.D.	Material	Finish	Qty/reel
HDGC6201M-TP	AWG#14-#20	4.10mm(max)	Phosphor Bronze	Tin over Nickel	2,000 PCS
HDGC6201M-GP	AWG#14-#20	4.10mm(max)	Phosphor Bronze	Gold over Nickel	2,000 PCS


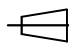
Optional Gold plating available but MOQ requested



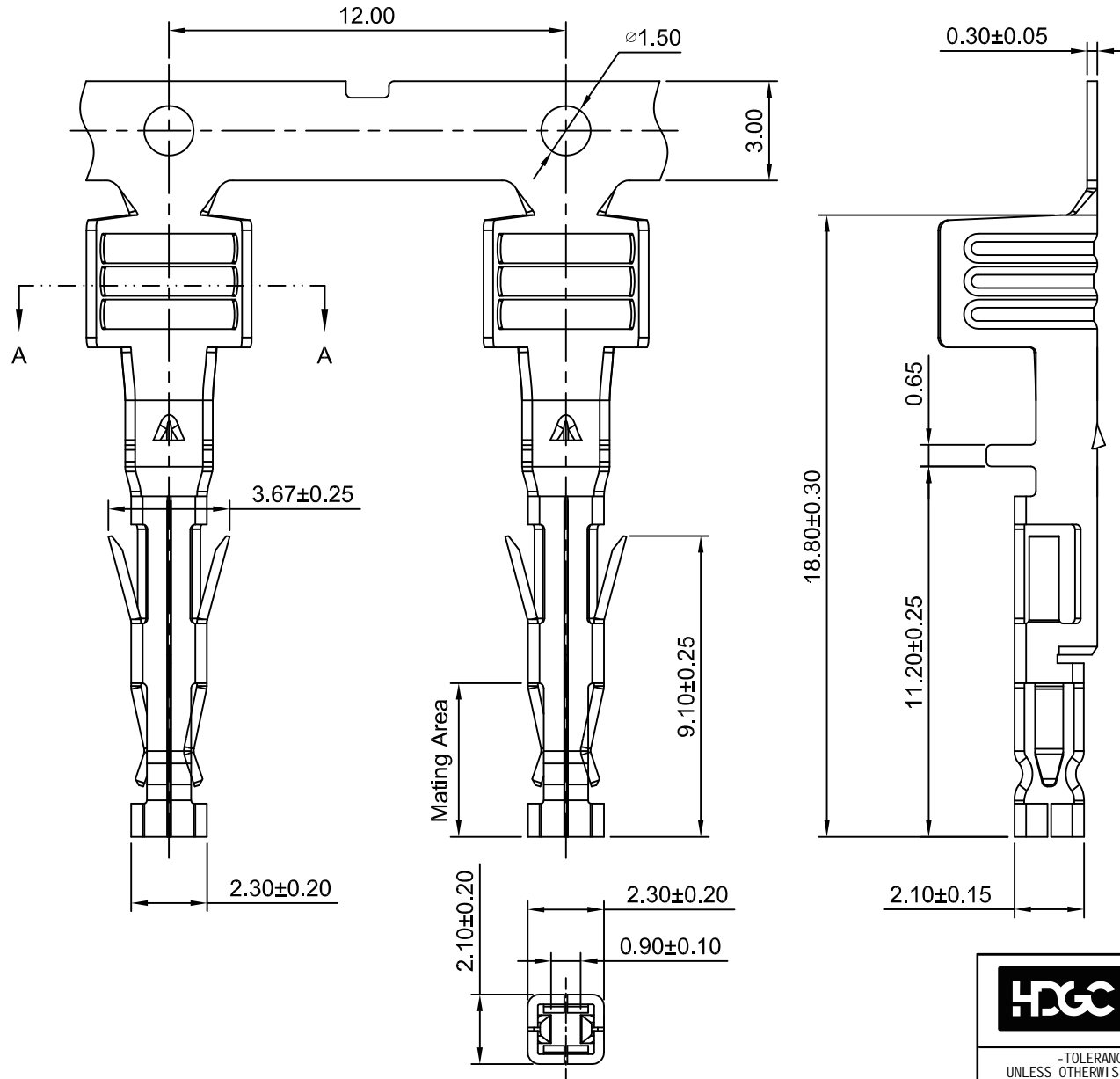
深圳市华德共创科技有限公司

SHENZHEN HUADE CO-CREATE TECHNOLOGY CO.,LTD

TEL : 0755-27129737 FAX : 0755-29940187

-TOLERANCES- UNLESS OTHERWISE SPECIFIED 公差参数表			 	TITLE: 6.20mm Pitch 产品名称: Crimp Terminal							
X.X	±0.30	X.X°	±3°	APPD: 核准:	XIE			PART NO: 产品编号:	HDGC6201M-T		
X.XX	±0.30	X.XX°	±2°	CHECK: 校对:	WANG			DATE	SCALE	UNIT	CODE NUMBER
X.XXX	±0.10	X.XXX°	±1°	DRAW: 绘图:	WANG			2011-05-12	5:1	mm	A008

修订 REV	标记 MARK	修改摘要 REVISION DESCRIPTION	签名 SIGNATURE	日期 DATE
AO		NEW RELEASE	WANG	2012-06-23



Ordering Information:

HDGC6201FB - *CA -H- ***
1 2 3

1.Part No.

2.Finish:

T - Tin over Nickel

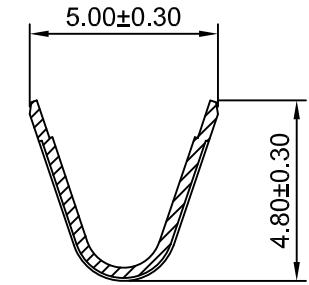
G - Gold over Nickel

3.Type of Gold-plated:

(blank) - Gold over Nickel(Au:1u")

G15 - Gold over Nickel(Au:15u")

G30 - Gold over Nickel(Au:30u")



SEC:A-A

Ordering Information & Specifications

Unit:mm

Part No	Wire Range	Insulation O.D.	Material	Finish	Qty/reel
HDGC6201FB-TCA-H	AWG#12	4.35mm(max)	High Conductive Copper Alloy	Tin over Nickel	4,000 PCS
HDGC6201FB-GCA-H	AWG#12	4.35mm(max)	High Conductive Copper Alloy	Gold over Nickel	4,000 PCS



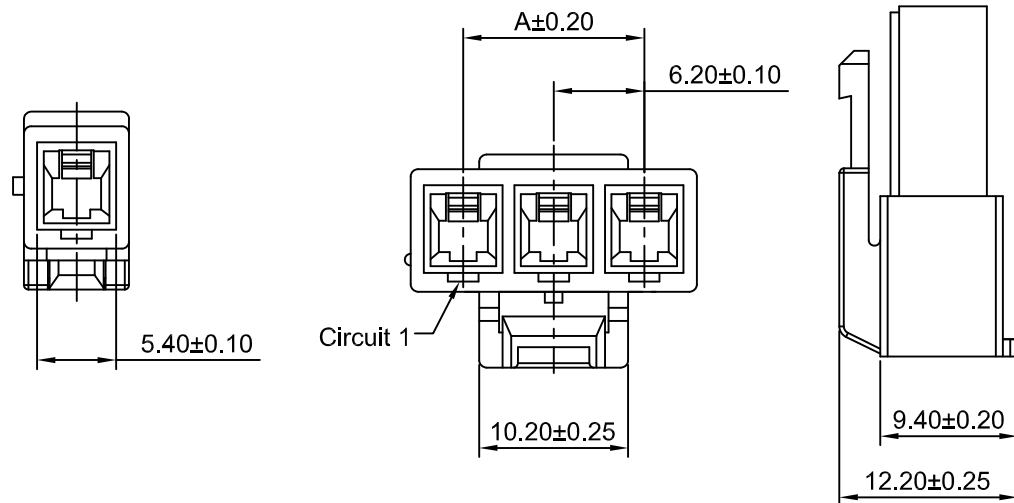
深圳市华德共创科技有限公司

SHENZHEN HUADE CO-CREATE TECHNOLOGY CO.,LTD

TEL : 0755-27129737 FAX : 0755-29940187

-TOLERANCES- UNLESS OTHERWISE SPECIFIED 公差参数表			TITLE: 产品名称: 5.70mm Pitch Crimp Terminal	
X.X	± 0.30	X.X°	$\pm 3^\circ$	APPD: 核准: XIE
X.XX	± 0.30	X.XX°	$\pm 2^\circ$	CHECK: 校对: WANG
X.XXX	± 0.10	X.XXX°	$\pm 1^\circ$	DRAW: 绘图: WANG
PART NO: 产品编号: HDGC6201FB-TCA-H		DATE	SCALE	UNIT
		2012-06-23	5:1	mm
		CODE NUMBER	A008	

修订 REV	标记 MARK	修改摘要 REVISION DESCRIPTION	签名 SIGNATURE	日期 DATE
AO		NEW RELEASE	WANG	2015-05-21



Ordering Information:

HDGC6201HF-XP - **

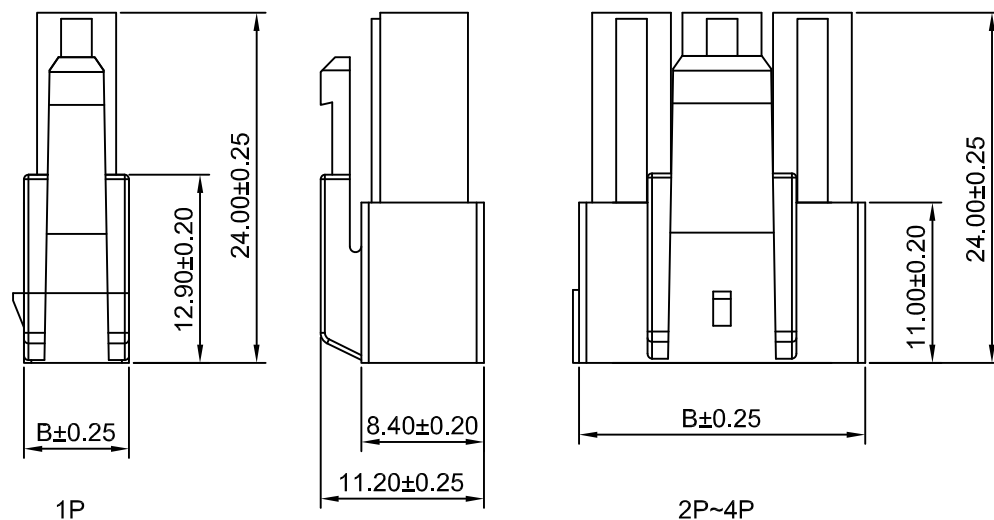
1 2

1.Part No.

2.Material:

(blank):UL94V-0/White

V2:UL94V-2/Natural



SPECIFICATIONS:

Current Rating:20A AC,DC

Voltage Rating: 600V AC,DC

Temperature Range:-25°C ~ +85°C

Contact Resistance: 7mΩMax.

Insulation Resistance: 100MΩMin.

Withstanding Voltage: 2000V AC/minute

Material:Nylon 66,UL94V-0(White)

Ordering Information & Dimensions

Circuits	Dimensions(mm)		Circuits	Dimensions(mm)	
	A	B		A	B
1P	---	7.20	3P	12.40	19.60
2P	6.20	13.40	4P	18.60	25.80



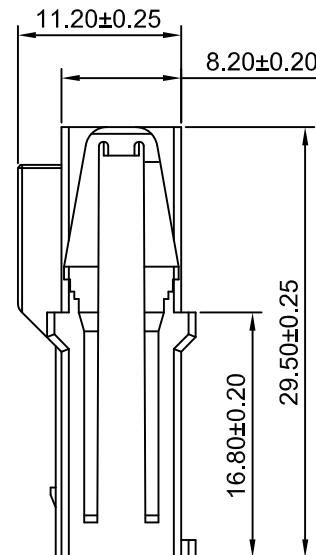
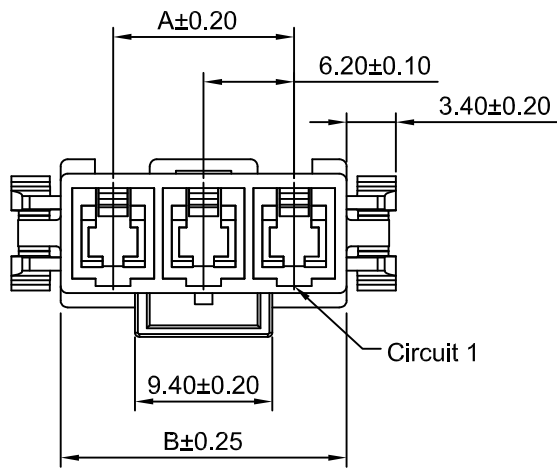
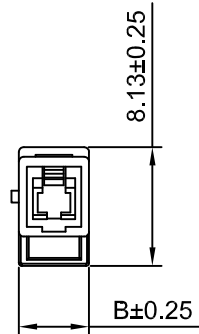
深圳市华德共创科技有限公司

SHENZHEN HUADE CO-CREATE TECHNOLOGY CO.,LTD

TEL : 0755-27129737 FAX : 0755-29940187

-TOLERANCES- UNLESS OTHERWISE SPECIFIED 公差参数表						TITLE: 6.20mm Pitch Housing 产品名称:			
X.X	±0.30	X.X°	±3°	APPD: 核准:	XIE	PART NO: 产品编号: HDGC6201HF-XP			
X.XX	±0.30	X.XX°	±2°	CHECK: 校对:	WANG	DATE	SCALE	UNIT	CODE NUMBER
X.XXX	±0.10	X.XXX°	±1°	DRAW: 绘图:	WANG	2015-05-21	2:1	mm	A008

修订 REV	标记 MARK	修改摘要 REVISION DESCRIPTION	签名 SIGNATURE	日期 DATE
AO		NEW RELEASE	WANG	2015-05-21



Ordering Information:

HDGC6201HM-XP - **
1 2

1.Part No.

2.Material:

(blank):UL94V-2/Natural

V0:UL94V-0/White

SPECIFICATIONS:

Current Rating:20A AC,DC

Voltage Rating: 600V AC,DC

Temperature Range: -25°C ~ +85°C

Contact Resistance: 7mΩMax.

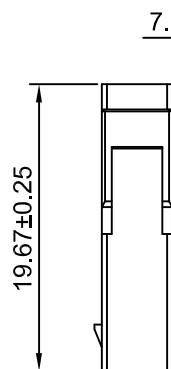
Insulation Resistance: 100MΩMin.

Withstanding Voltage: 2000V AC/minute

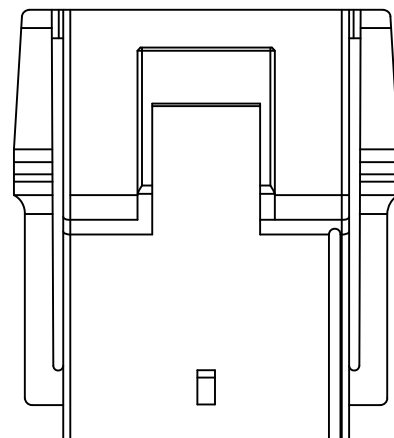
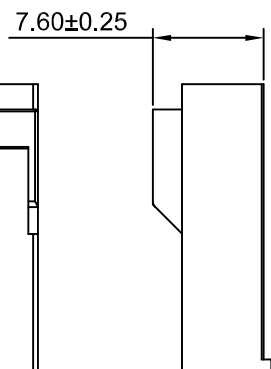
Material:Nylon 66,UL94V-0(White)

Ordering Information & Dimensions

Circuits	Dimensions(mm)		Circuits	Dimensions(mm)	
	A	B		A	B
1P	---	4.80	3P	12.40	19.60
2P	6.20	13.40	4P	18.60	25.80



1P



2P~4P



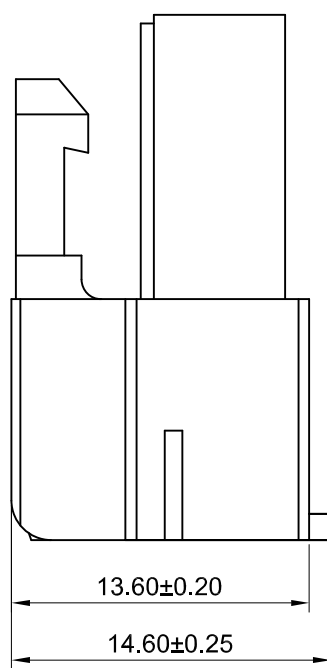
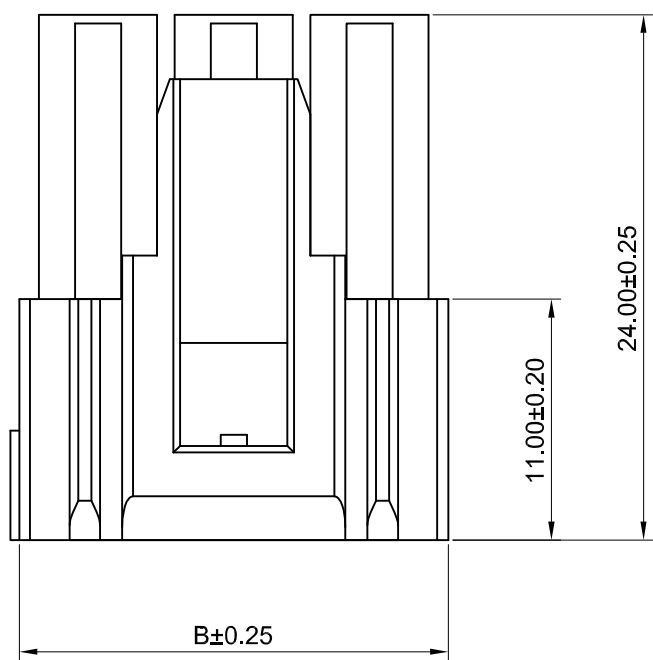
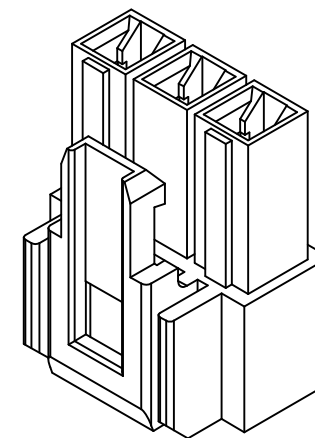
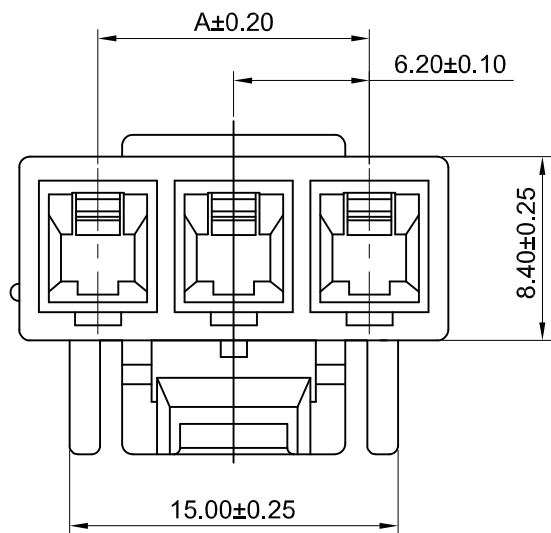
深圳市华德共创科技有限公司

SHENZHEN HUADE CO-CREATE TECHNOLOGY CO.,LTD

TEL : 0755-27129737 FAX : 0755-29940187

-TOLERANCES- UNLESS OTHERWISE SPECIFIED 公差参数表						TITLE: 6.20mm Pitch Housing 产品名称: Housing			
X.X	±0.30	X.X°	±3°	APPD: 核准:	XIE	PART NO: 产品编号: HDGC6201HM-XP			
X.XX	±0.30	X.XX°	±2°	CHECK: 校对:	WANG	DATE	SCALE	UNIT	CODE NUMBER
X.XXX	±0.10	X.XXX°	±1°	DRAW: 绘图:	WANG	2015-05-21	2:1	mm	A008

修订 REV	标记 MARK	修改摘要 REVISION DESCRIPTION	签名 SIGNATURE	日期 DATE
AO		NEW RELEASE	WANG	2011-05-12



SPECIFICATIONS:

Current Rating: 20A AC, DC
Voltage Rating: 600V AC, DC
Temperature Range: -25°C ~ +85°C
Contact Resistance: 7mΩ Max.
Insulation Resistance: 100MΩ Min.
Withstanding Voltage: 2000V AC/minute
Material: Nylon66, UL94V-0(White)

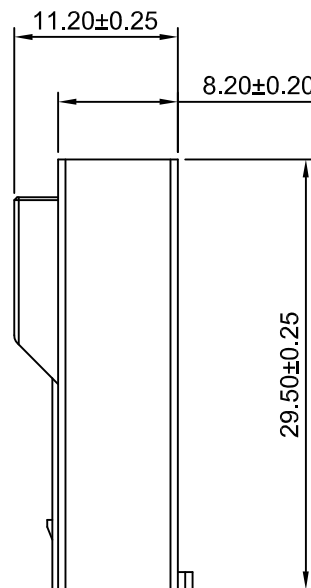
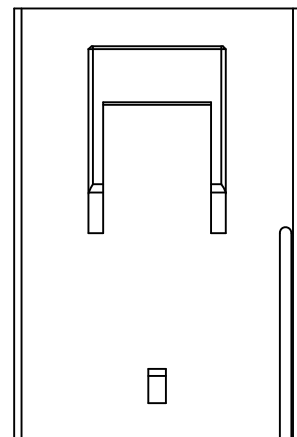
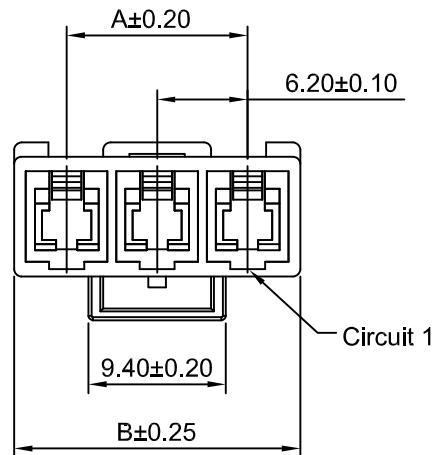
Ordering Information & Dimensions

Circuits	Dimensions(mm)		Circuits	Dimensions(mm)	
	A	B		A	B
2P	6.20	13.40	4P	18.60	25.80
3P	12.40	19.60			

HDGC 深圳市华德共创科技有限公司
SHENZHEN HUADE CO-CREATE TECHNOLOGY CO., LTD
TEL : 0755-27129737 FAX : 0755-29940187

-TOLERANCES- UNLESS OTHERWISE SPECIFIED 公差参数表						TITLE: 6.20mm Pitch Housing 产品名称: 6.20mm Pitch Housing			
X.X	±0.30	X.X°	±3°	APPD: 核准:	XIE	PART NO: HDGC6201HFA-XP 产品编号:			
X.XX	±0.30	X.XX°	±2°	CHECK: 校对:	WANG	DATE	SCALE	UNIT	CODE NUMBER
X.XXX	±0.10	X.XXX°	±1°	DRAW: 绘图:	WANG	2011-05-12	3:1	mm	A008

修订 REV	标记 MARK	修改摘要 REVISION DESCRIPTION	签名 SIGNATURE	日期 DATE
AO		NEW RELEASE	WANG	2015-05-21



Ordering Information:
HDGC6201HMA-XP - **
 1 2

1.Part No.
 2.Material:
(blank):UL94V-2/Natural
V0:UL94V-0/White

SPECIFICATIONS:
 Current Rating:20A AC,DC
 Voltage Rating: 600V AC,DC
 Temperature Range: -25°C ~ +85°C
 Contact Resistance: 7mΩMax.
 Insulation Resistance: 100MΩMin.
 Withstanding Voltage: 2000V AC/minute
 Material:Nylon 66,UL94V-0(White)

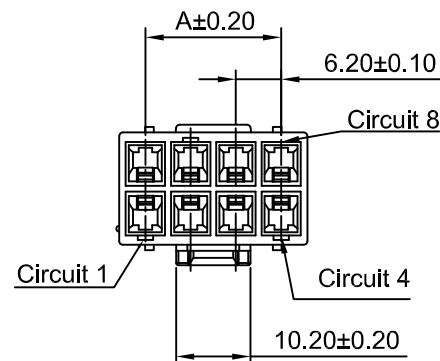
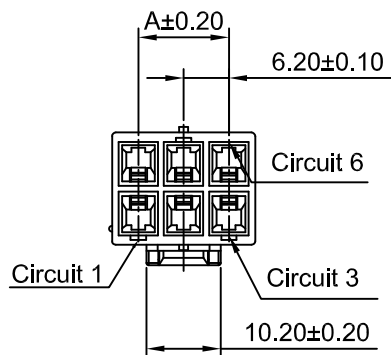
Ordering Information & Dimensions

Circuits	Dimensions(mm)		Circuits	Dimensions(mm)	
	A	B		A	B
2P	6.20	13.40	4P	18.60	25.80
3P	12.40	19.60			

HDGC 深圳市华德共创科技有限公司
 SHENZHEN HUADE CO-CREATE TECHNOLOGY CO.,LTD
 TEL : 0755-27129737 FAX : 0755-29940187

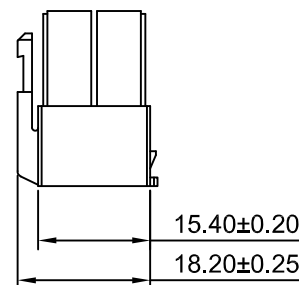
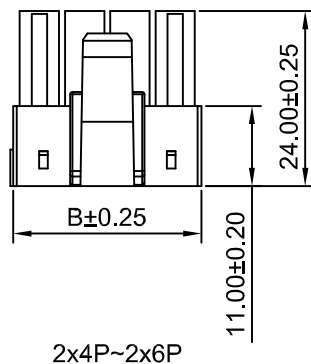
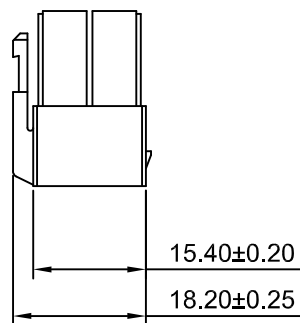
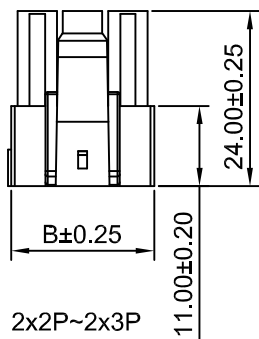
-TOLERANCES- UNLESS OTHERWISE SPECIFIED 公差参数表						TITLE: 产品名称: 6.20mm Pitch Housing			
X.X	±0.30	X.X°	±3°	APPD: 核准:	XIE	PART NO: 产品编号: HDGC6201HMA-XP			
X.XX	±0.30	X.XX°	±2°	CHECK: 校对:	WANG	DATE	SCALE	UNIT	CODE NUMBER
X.XXX	±0.10	X.XXX°	±1°	DRAW: 绘图:	WANG	2015-05-21	2:1	mm	A008

修订 REV	标记 MARK	修改摘要 REVISION DESCRIPTION	签名 SIGNATURE	日期 DATE
AO		NEW RELEASE	WANG	2015-05-21



Ordering Information:
 HDGC6201HF-2xXP - **
 1 2

1.Part No.
 2.Material:
 (blank):UL94V-0/White
 V2:UL94V-2/Natural



SPECIFICATIONS:

Current Rating:20A AC,DC
 Voltage Rating: 600V AC,DC
 Temperature Range: -25°C ~ +85°C
 Contact Resistance: 7mΩMax.
 Insulation Resistance: 100MΩMin.
 Withstanding Voltage: 2000V AC/minute
 Material:Nylon 66,UL94V-0(White)

Ordering Information & Dimensions

Circuits	Dimensions(mm)		Circuits	Dimensions(mm)	
	A	B		A	B
2x2P	6.20	13.40	2x4P	18.60	25.80
2x3P	12.40	19.60	2x6P	31.00	38.20



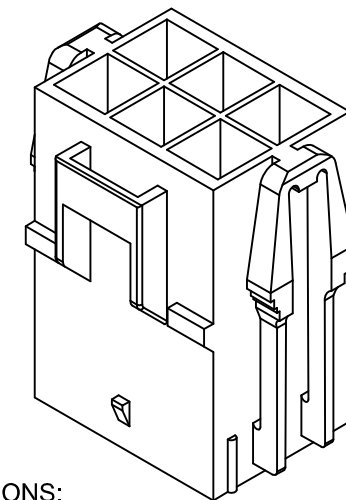
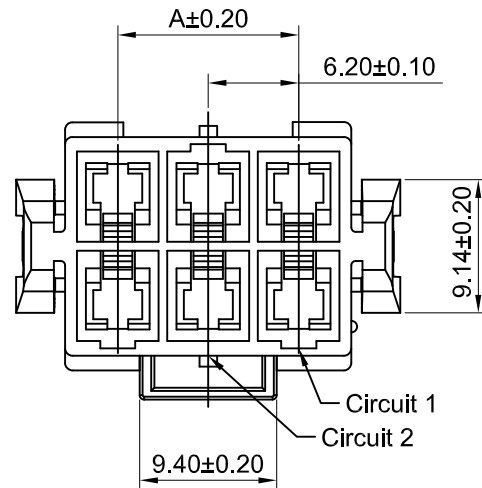
深圳市华德共创科技有限公司

SHENZHEN HUADE CO-CREATE TECHNOLOGY CO.,LTD

TEL : 0755-27129737 FAX : 0755-29940187

-TOLERANCES- UNLESS OTHERWISE SPECIFIED 公差参数表						TITLE: 产品名称: 6.20mm Pitch Housing			
X.X	±0.30	X.X°	±3°	APPD: 核准:	XIE	PART NO: 产品编号: HDGC6201HF-2xXP			
X.XX	±0.30	X.XX°	±2°	CHECK: 校对:	WANG	DATE	SCALE	UNIT	CODE NUMBER
X.XXX	±0.10	X.XXX°	±1°	DRAW: 绘图:	WANG	2015-05-21	1:1	mm	A008

修订 REV	标记 MARK	修改摘要 REVISION DESCRIPTION	签名 SIGNATURE	日期 DATE
AO		NEW RELEASE	WANG	2011-05-12

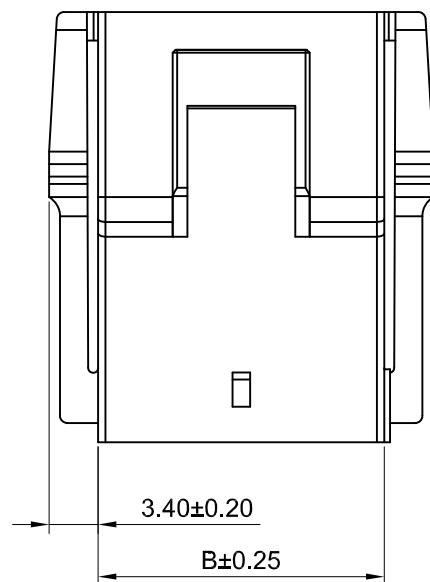
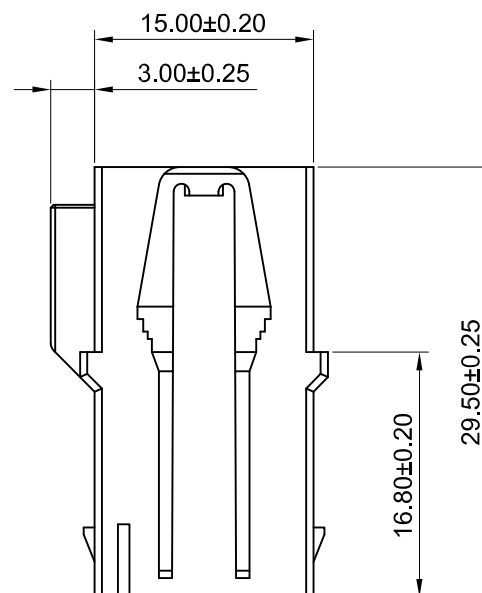


SPECIFICATIONS:

Current Rating: 20A AC, DC
Voltage Rating: 600V AC, DC
Temperature Range: $-25^{\circ}\text{C} \sim +85^{\circ}\text{C}$
Contact Resistance: $7\text{m}\Omega$ Max.
Insulation Resistance: $100\text{M}\Omega$ Min.
Withstanding Voltage: 2000V AC/minute
Material: Nylon 66, UL94V-0 (White)

Ordering Information & Dimensions

Circuits	Dimensions(mm)		Circuits	Dimensions(mm)	
	A	B		A	B
2x2P	6.20	13.40	2x4P	18.60	25.80
2x3P	12.40	19.60	2x6P	31.00	38.20

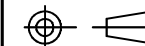


深圳市华德共创科技有限公司

SHENZHEN HUADE CO-CREATE TECHNOLOGY CO., LTD

TEL : 0755-27129737 FAX : 0755-29940187

-TOLERANCES-
UNLESS OTHERWISE SPECIFIED
公差参数表



TITLE: 6.20mm Pitch
产品名称: Housing

X.X ± 0.30 X.X° $\pm 3^{\circ}$

APPD: 核准: XIE

PART NO: 产品编号: HDGC6201HM-2xXP

X.XX ± 0.30 X.XX° $\pm 2^{\circ}$

CHECK: 校对: WANG

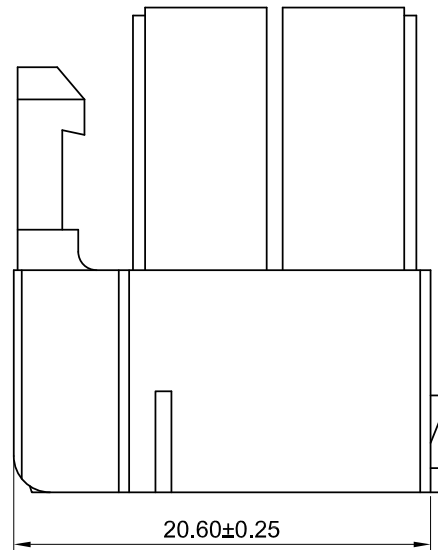
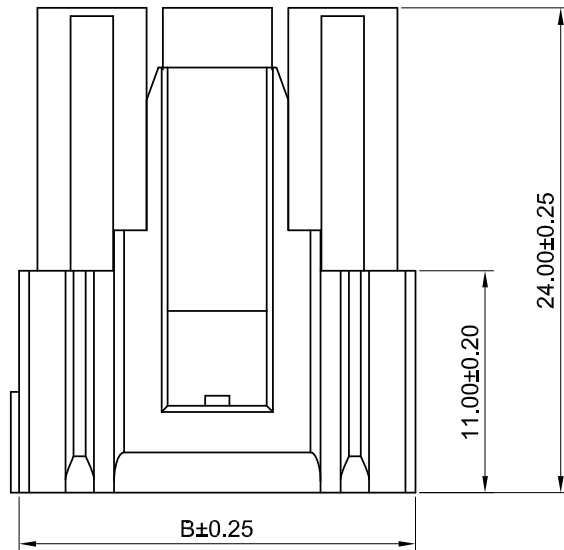
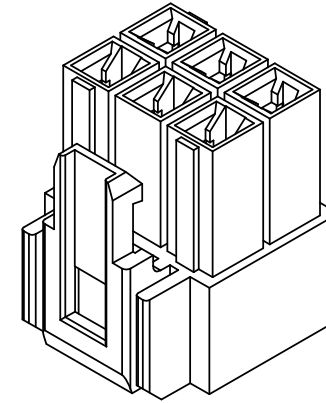
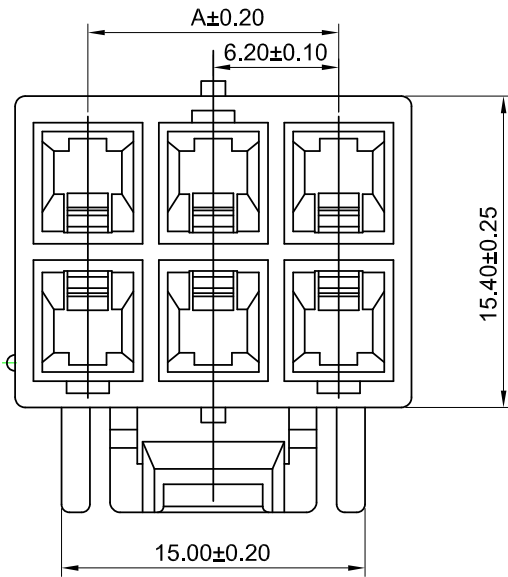
DATE SCALE UNIT CODE NUMBER

X.XXX ± 0.10 X.XXX° $\pm 1^{\circ}$

DRAW: 绘图: WANG

2011-05-12 2:1 mm A008

修订 REV	标记 MARK	修改摘要 REVISION DESCRIPTION	签名 SIGNATURE	日期 DATE
AO		NEW RELEASE	WANG	2011-05-12



SPECIFICATIONS:

Current Rating: 20A AC, DC
Voltage Rating: 600V AC, DC
Temperature Range: -25°C ~ +85°C
Contact Resistance: 7mΩMax.
Insulation Resistance: 100MΩMin.
Withstanding Voltage: 2000V AC/minute
Material: Nylon66, UL94V-0(White)

Ordering Information & Dimensions

Circuits	Dimensions(mm)		Circuits	Dimensions(mm)	
	A	B		A	B
2x2P	6.20	13.40	2x4P	18.60	25.80
2x3P	12.40	19.60	2x6P	31.00	38.20



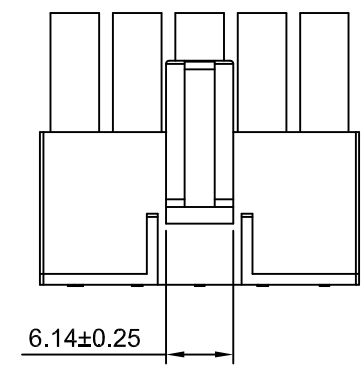
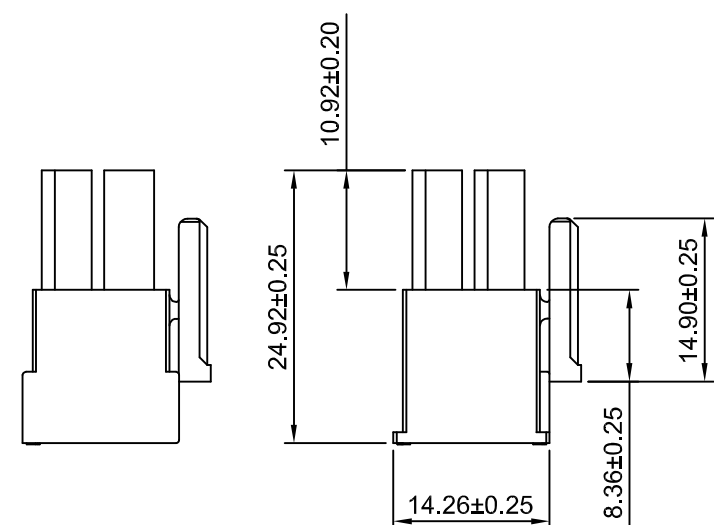
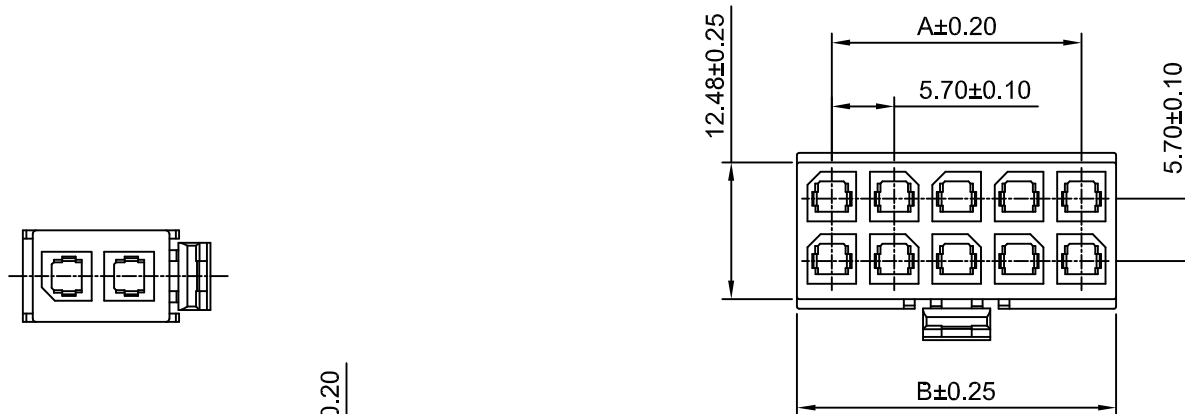
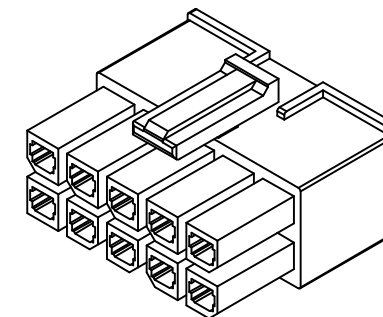
深圳市华德共创科技有限公司

SHENZHEN HUADE CO-CREATE TECHNOLOGY CO., LTD

TEL : 0755-27129737 FAX : 0755-29940187

-TOLERANCES- UNLESS OTHERWISE SPECIFIED 公差参数表						TITLE: 6.20mm Pitch Housing 产品名称: 6.20mm Pitch Housing			
X.X	±0.30	X.X°	±3°	APPD: 核准:	XIE	PART NO: 产品编号: HDGC6201HFA-2xXP			
X.XX	±0.30	X.XX°	±2°	CHECK: 校对:	WANG	DATE	SCALE	UNIT	CODE NUMBER
X.XXX	±0.10	X.XXX°	±1°	DRAW: 绘图:	WANG	2011-05-12	3:1	mm	A008

修订 REV	标记 MARK	修改摘要 REVISION DESCRIPTION	签名 SIGNATURE	日期 DATE
AO		NEW RELEASE	WANG	2015-05-21



SPECIFICATIONS:

Current Rating:23A AC,DC
Voltage Rating: 600V AC,DC
Temperature Range: -25°C ~ +85°C
Contact Resistance: 10mΩMax.
Insulation Resistance: 1000MΩMin.
Withstanding Voltage: 2200V AC/minute
Material:Nylon 66,UL94V-0(Black)

Ordering Information & Dimensions

Circuits	Dimensions(mm)		Circuits	Dimensions(mm)	
	A	B		A	B
2x1P	----	8.35	2x4P	17.10	23.45
2x2P	5.70	12.05	2x5P	22.80	29.15
2x3P	11.40	17.75	2x6P	28.50	34.85

2x1P

2x2P~2x6P



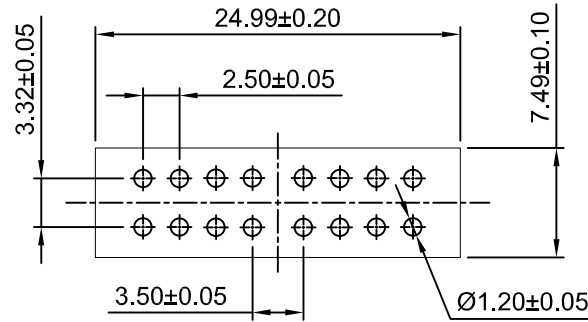
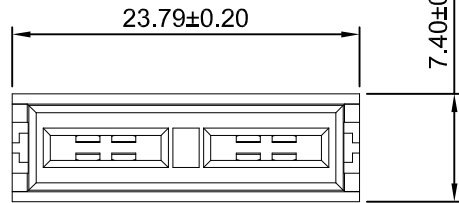
深圳市华德共创科技有限公司

SHENZHEN HUADE CO-CREATE TECHNOLOGY CO.,LTD

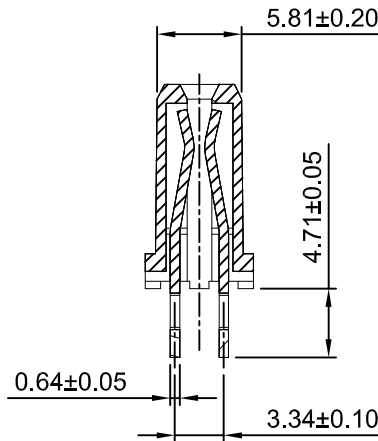
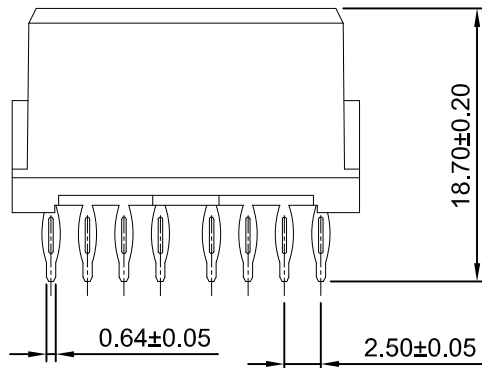
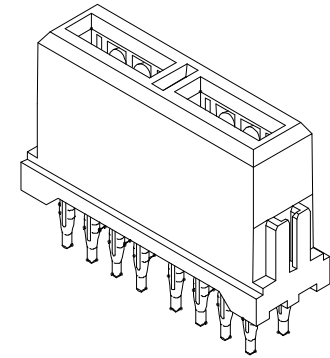
TEL : 0755-27129737 FAX : 0755-29940187

-TOLERANCES- UNLESS OTHERWISE SPECIFIED 公差参数表						TITLE: 5.70mm Pitch Housing 产品名称:			
X.X	±0.30	X.X°	±3°	APPD: 核准:	XIE	PART NO: 产品编号: HDGC6201HFB-2xXP			
X.XX	±0.30	X.XX°	±2°	CHECK: 校对:	WANG	DATE	SCALE	UNIT	CODE NUMBER
X.XXX	±0.10	X.XXX°	±1°	DRAW: 绘图:	WANG	2015-05-21	1.5:1	mm	A008

修订 REV	标记 MARK	修改摘要 REVISION DESCRIPTION	签名 SIGNATURE	日期 DATE
AO		NEW RELEASE	WANG	2015-05-21

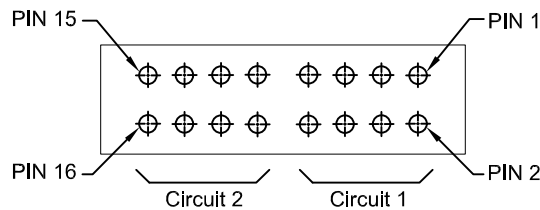




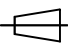
P.C.B LAYOUT



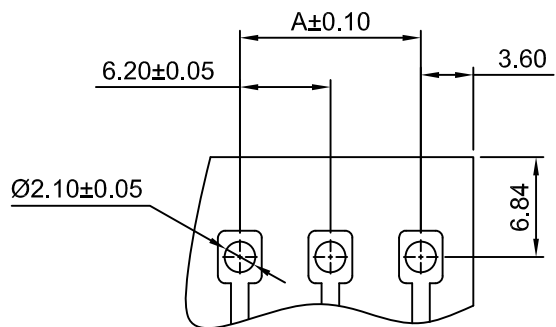
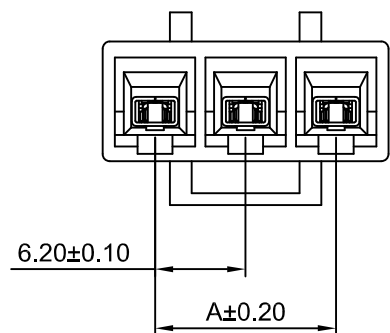
SPECIFICATIONS:

Current Rating: 80A AC, DC
Voltage Rating: 450V AC, DC
Temperature Range: -25°C ~ +85°C
Contact Resistance: 0.75mΩ Max.
Insulation Resistance: 5000MΩ Min.
Withstanding Voltage: 2000V AC/minute
Pin Material: Brass/Gold over Nickel (Ni:50u", Sn:100u", Au:15u")
Material: LCP, UL94V-0(Black)

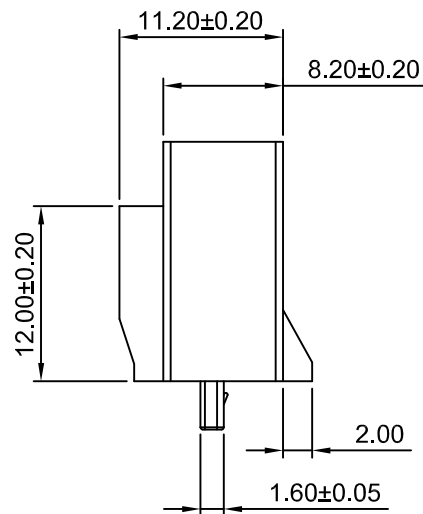
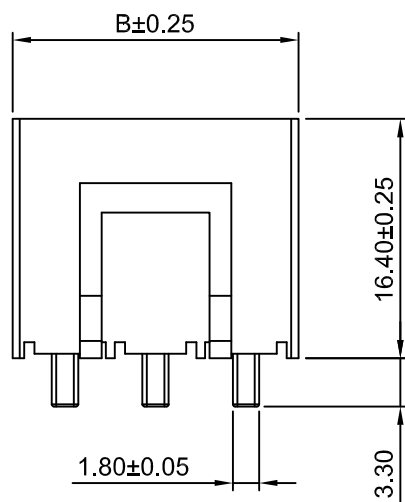
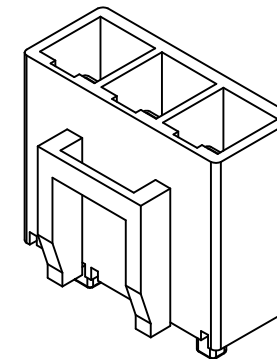


 深圳市华德共创科技有限公司 SHENZHEN HUADE CO-CREATE TECHNOLOGY CO., LTD TEL : 0755-27129737 FAX : 0755-29940187			
-TOLERANCES- UNLESS OTHERWISE SPECIFIED 公差参数表		  TITLE: 6.20mm Pitch 产品名称: 180° Wafer	
X.X ±0.30	X.X° ±3°	APPD: 核准: XIE	PART NO: 产品编号: HDGC6201WVA-2P
X.XX ±0.30	X.XX° ±2°	CHECK: 校对: WANG	DATE
X.XXX ±0.10	X.XXX° ±1°	DRAW: 绘图: WANG	SCALE
			UNIT
			CODE NUMBER
			A008

修订 REV	标记 MARK	修改摘要 REVISION DESCRIPTION	签名 SIGNATURE	日期 DATE
AO		NEW RELEASE	WANG	2011-05-12



P.C.B LAYOUT



SPECIFICATIONS:

Current Rating: 20A AC, DC
Voltage Rating: 600V AC, DC
Temperature Range: -25°C ~ +85°C
Contact Resistance: 7mΩMax.
Insulation Resistance: 1000MΩMin.
Withstanding Voltage: 2000V AC/minute
Pin Material: Brass/Tin over Nickel
Material: Nylon66, UL94V-0(White)

Ordering Information & Dimensions

Circuits	Dimensions(mm)		Circuits	Dimensions(mm)	
	A	B		A	B
2P	6.20	13.40	4P	18.60	25.80
3P	12.40	19.60			



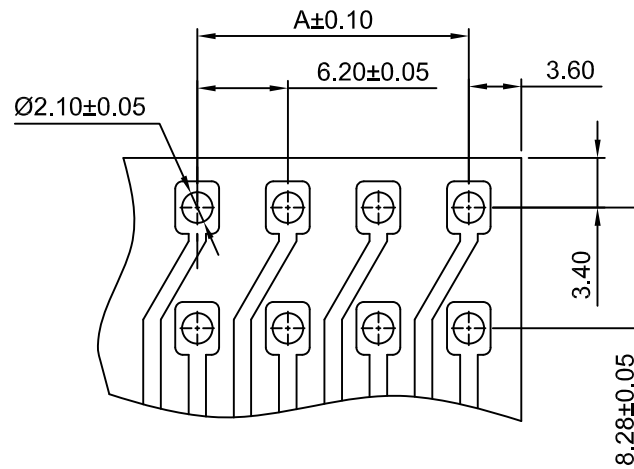
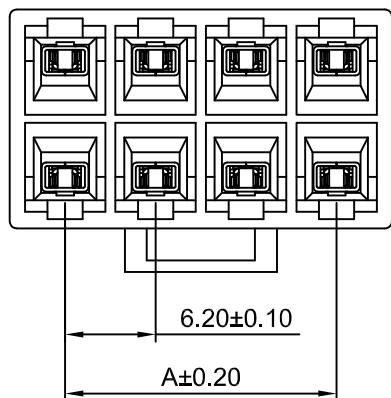
深圳市华德共创科技有限公司

SHENZHEN HUADE CO-CREATE TECHNOLOGY CO., LTD

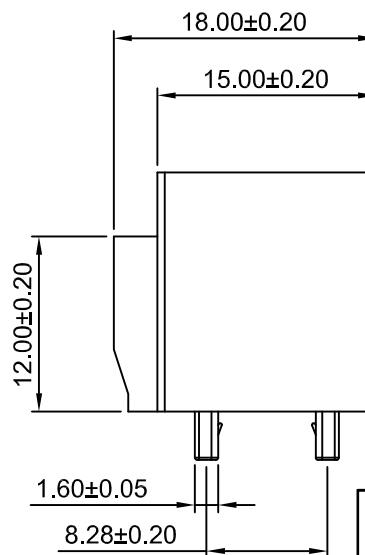
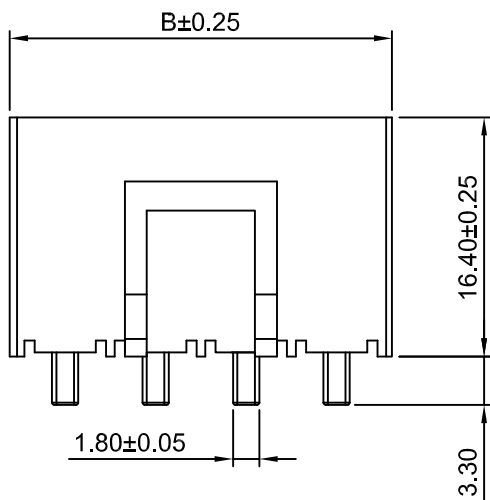
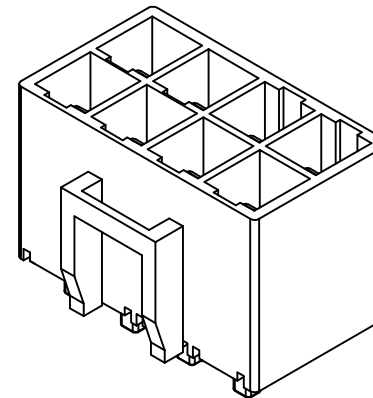
TEL : 0755-27129737 FAX : 0755-29940187

-TOLERANCES- UNLESS OTHERWISE SPECIFIED 公差参数表						TITLE: 6.20mm Pitch 产品名称: 180° Wafer			
X.X	±0.30	X.X°	±3°	APPD: 核准:	XIE	PART NO: 产品编号: HDGC6201WV-XP			
X.XX	±0.30	X.XX°	±2°	CHECK: 校对:	WANG	DATE	SCALE	UNIT	CODE NUMBER
X.XXX	±0.10	X.XXX°	±1°	DRAW: 绘图:	WANG	2011-05-12	2:1	mm	A008

修订 REV	标记 MARK	修改摘要 REVISION DESCRIPTION	签名 SIGNATURE	日期 DATE
AO		NEW RELEASE	WANG	2011-05-12



P.C.B LAYOUT



SPECIFICATIONS:

Current Rating:20A AC,DC
Voltage Rating: 600V AC,DC
Temperature Range:-25°C ~ +85°C
Contact Resistance: 7mΩMax.
Insulation Resistance: 1000MΩMin.
Withstanding Voltage: 2000V AC/minute
Pin Material: Brass/Tin over Nickel
Material:Nylon66,UL94V-0(White)

Ordering Information & Dimensions

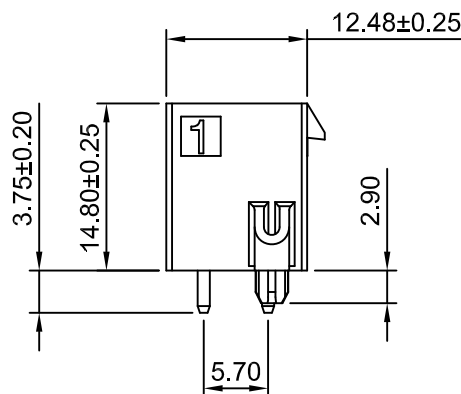
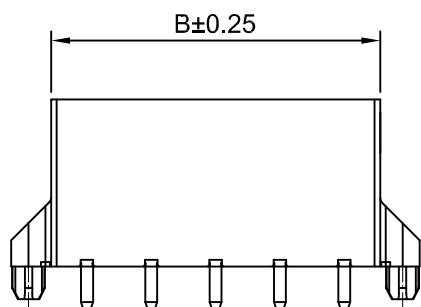
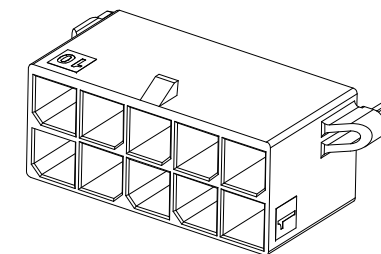
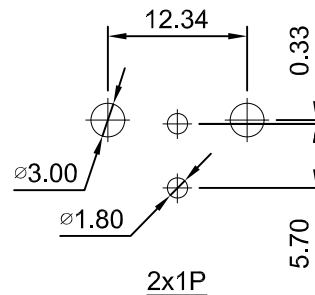
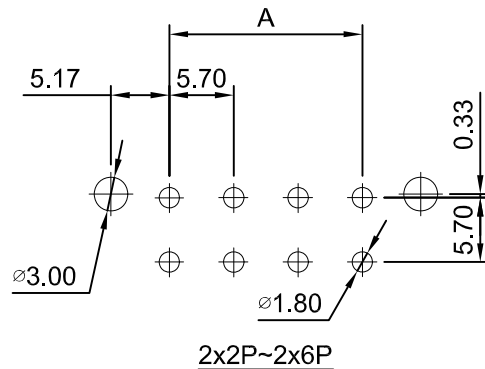
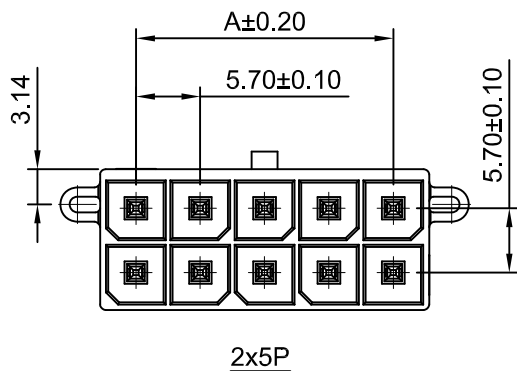
Circuits	Dimensions(mm)		Circuits	Dimensions(mm)	
	A	B		A	B
2x2P	6.20	13.40	2x4P	18.60	25.80
2x3P	12.40	19.60	2x6P	31.00	38.20



深圳市华德共创科技有限公司
SHENZHEN HUADE CO-CREATE TECHNOLOGY CO.,LTD
TEL : 0755-27129737 FAX : 0755-29940187

-TOLERANCES- UNLESS OTHERWISE SPECIFIED 公差参数表			 	TITLE: 6.20mm Pitch 产品名称: 180° Wafer			
X.X	±0.30	X.X° ±3°	APPD: 核准: XIE	PART NO: 产品编号: HDGC6201WV-2xXP			
X.XX	±0.30	X.XX° ±2°	CHECK: 校对: WANG	DATE	SCALE	UNIT	CODE NUMBER
X.XXX	±0.10	X.XXX° ±1°	DRAW: 绘图: WANG	2011-05-12	2:1	mm	A008

修订 REV	标记 MARK	修改摘要 REVISION DESCRIPTION	签名 SIGNATURE	日期 DATE
AO		NEW RELEASE	WANG	2018-05-28

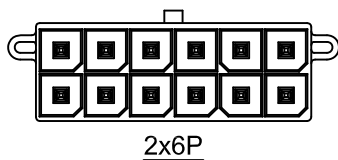
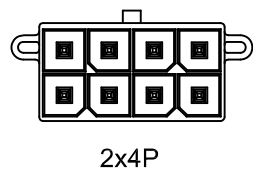
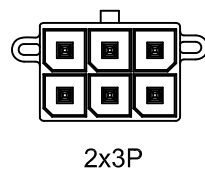
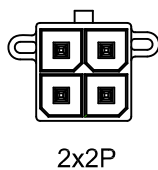
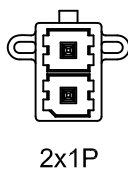


SPECIFICATIONS:

Current Rating: 20A AC, DC
Voltage Rating: 600V AC, DC
Temperature Range: -25°C ~ +85°C
Contact Resistance: 7mΩMax.
Insulation Resistance: 1000MΩMin.
Withstanding Voltage: 2000V AC/minute
Pin Material: Brass/Tin over Nickel
Material: LCP, UL94V-0(Black)

Ordering Information & Dimensions

Circuits	Dimensions(mm)		Circuits	Dimensions(mm)	
	A	B		A	B
2x1P	—	8.35	2x4P	17.10	23.45
2x2P	5.70	12.05	2x5P	22.80	29.15
2x3P	11.40	17.75	2x6P	28.50	34.85



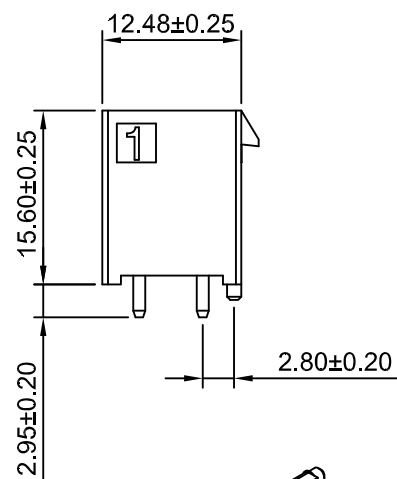
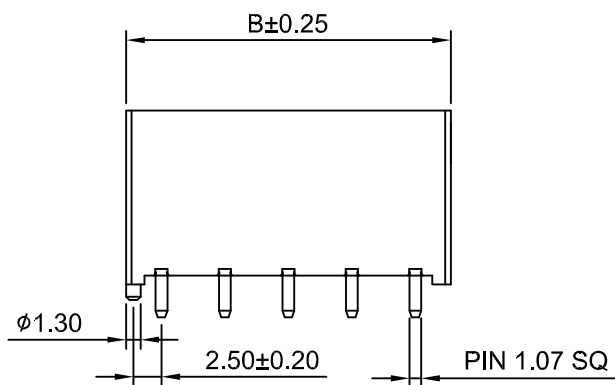
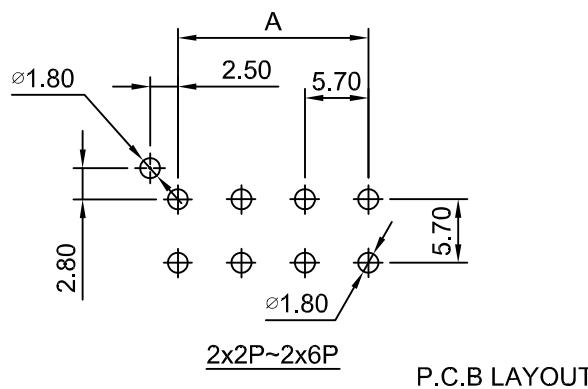
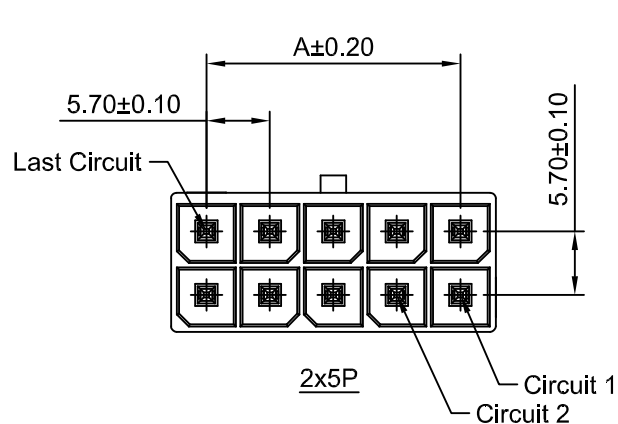
深圳市华德共创科技有限公司

SHENZHEN HUADE CO-CREATE TECHNOLOGY CO., LTD

TEL : 0755-27129737 FAX : 0755-29940187

-TOLERANCES- UNLESS OTHERWISE SPECIFIED 公差参数表					TITLE: 5.70mm Pitch 产品名称: 180° Wafer			
X.X	±0.30	X.X° ±3°	APPD: 核准:	XIE	PART NO: 产品编号: HDGC6201WVB-F-2xXP			
X.XX	±0.30	X.XX° ±2°	CHECK: 校对:	WANG	DATE	SCALE	UNIT	CODE NUMBER
X.XXX	±0.10	X.XXX° ±1°	DRAW: 绘图:	WANG	2018-05-28	1.5:1	mm	A008

修订 REV	标记 MARK	修改摘要 REVISION DESCRIPTION	签名 SIGNATURE	日期 DATE
AO		NEW RELEASE	WANG	2018-05-28



SPECIFICATIONS:

Current Rating: 23A AC, DC
Voltage Rating: 600V AC, DC
Temperature Range: $-25^{\circ}\text{C} \sim +85^{\circ}\text{C}$
Contact Resistance: $7\text{m}\Omega$ Max.
Insulation Resistance: $1000\text{M}\Omega$ Min.
Withstanding Voltage: 2000V AC/minute
Pin Material: High conductivity copper/Tin over Nickel
Material: LCP, UL94V-0(Black)

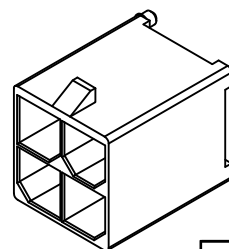
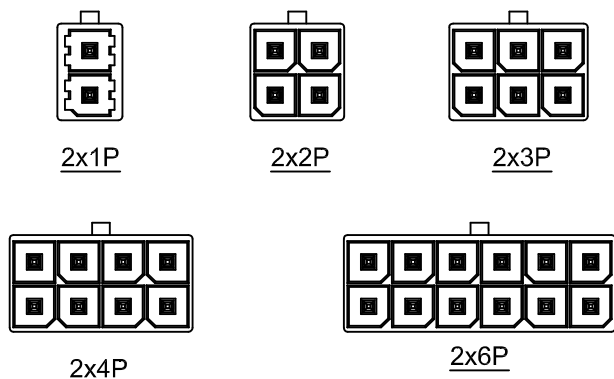
Ordering Information:

HDGC6201WVB-F1-2xXP - $\frac{**}{2} - \frac{**}{3} - \frac{**}{4} - \frac{**}{5} - \frac{**}{6}$

- Part No.
- Material:
(blank): LCP UL94V-0
GWT: LCP UL94V-0, GWT 750°C
- Halogen:
(blank): Normal Material
HF: Halogen Free
- Finish:
(blank): Tin over Nickel
G15: Gold over Nickel(15"U)
G30: Gold over Nickel(30"U)
- Packing:
(blank): Bag
RE: Tape & Reel
- Logo & Marking:
(blank): With Mark
NK: Without Mark

Ordering Information & Dimensions

Circuits	Dimensions(mm)		Circuits	Dimensions(mm)	
	A	B		A	B
2x1P	--	8.35	2x4P	17.10	23.45
2x2P	5.70	12.05	2x5P	22.80	29.15
2x3P	11.40	17.75	2x6P	28.50	34.85



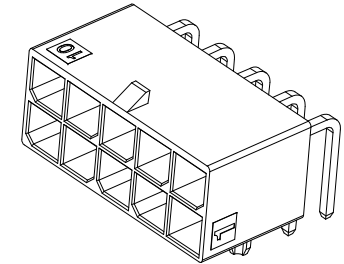
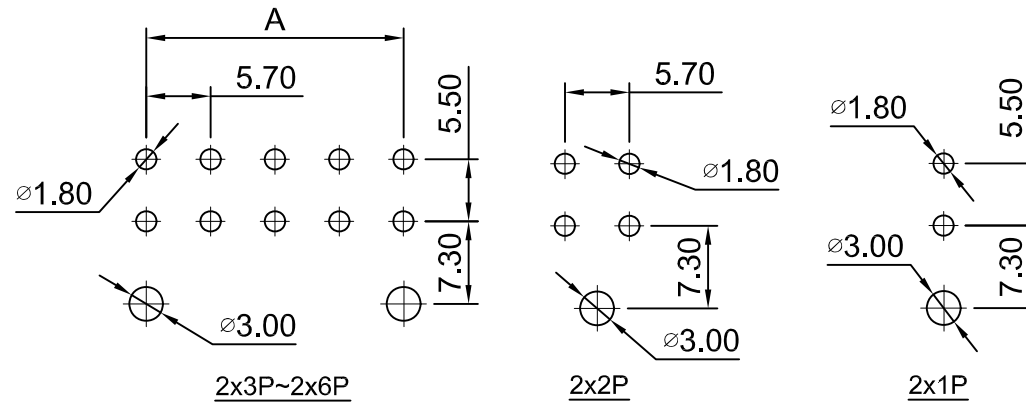
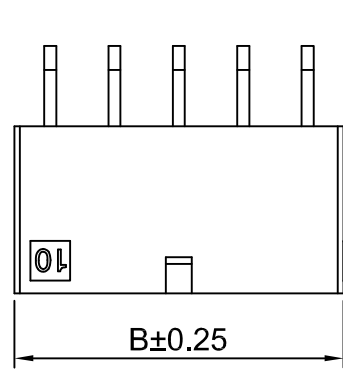
深圳市华德共创科技有限公司

SHENZHEN HUADE CO-CREATE TECHNOLOGY CO., LTD

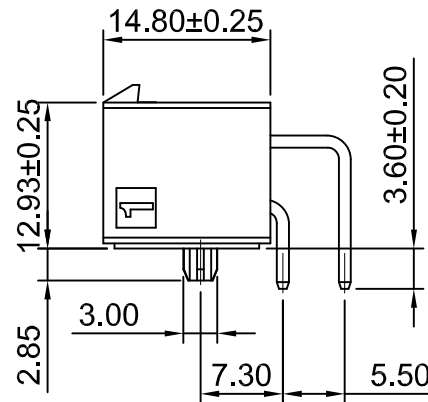
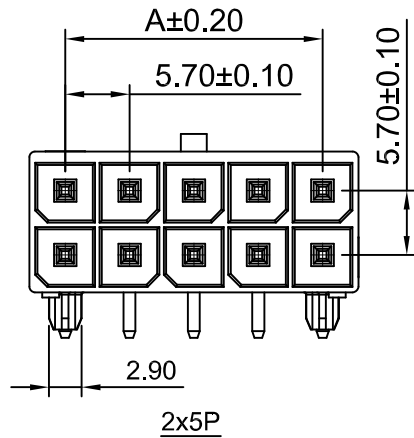
TEL : 0755-27129737 FAX : 0755-29940187

-TOLERANCES- UNLESS OTHERWISE SPECIFIED 公差参数表				TITLE: 产品名称: 5.70mm Pitch 180° Wafer	
X.X	±0.30	X.X°	±3°	APPD: 核准:	XIE
X.XX	±0.30	X.XX°	±2°	CHECK: 校对:	WANG
X.XXX	±0.10	X.XXX°	±1°	DRAW: 绘图:	WANG
PART NO: 产品编号:			HDGC6201WVB-F1-2xXP		
DATE	SCALE	UNIT	CODE NUMBER		
2018-05-28	1.5:1	mm	A008		

修订 REV	标记 MARK	修改摘要 REVISION DESCRIPTION	签名 SIGNATURE	日期 DATE
AO		NEW RELEASE	WANG	2018-05-28



P.C.B LAYOUT

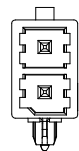


SPECIFICATIONS:

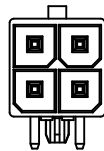
Current Rating: 20A AC, DC
Voltage Rating: 600V AC, DC
Temperature Range: -25°C ~ +85°C
Contact Resistance: 7mΩMax.
Insulation Resistance: 1000MΩMin.
Withstanding Voltage: 2000V AC/minute
Pin Material: Brass/Tin over Nickel
Material: LCP, UL94V-0(Black)

Ordering Information & Dimensions

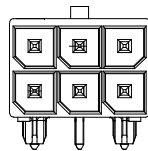
Circuits	Dimensions(mm)		Circuits	Dimensions(mm)	
	A	B		A	B
2x1P	—	8.35	2x4P	17.10	23.45
2x2P	5.70	12.05	2x5P	22.80	29.15
2x3P	11.40	17.75	2x6P	28.50	34.85



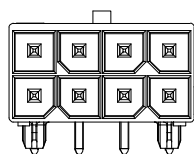
2x1P



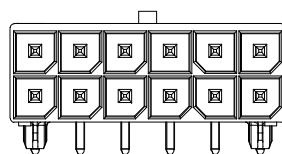
2x2P



2x3P



2x4P



2x6P



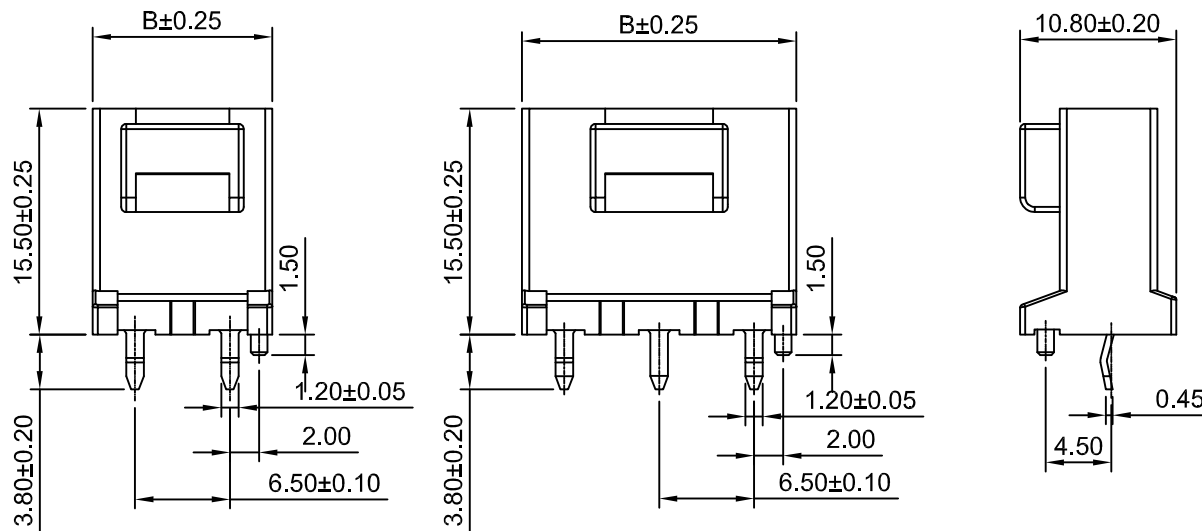
深圳市华德共创科技有限公司

SHENZHEN HUADE CO-CREATE TECHNOLOGY CO.,LTD

TEL : 0755-27129737 FAX : 0755-29940187

-TOLERANCES- UNLESS OTHERWISE SPECIFIED 公差参数表						TITLE: 产品名称: 5.70mm Pitch 90° Wafer			
X.X	±0.30	X.X°	±3°	APPD: 核准:	XIE	PART NO: 产品编号: HDGC6201WRB-F-2xXP			
X.XX	±0.30	X.XX°	±2°	CHECK: 校对:	WANG	DATE	SCALE	UNIT	CODE NUMBER
X.XXX	±0.10	X.XXX°	±1°	DRAW: 绘图:	WANG	2018-05-28	1.5:1	mm	A008

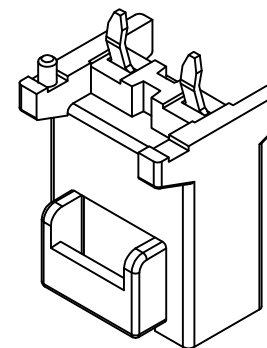
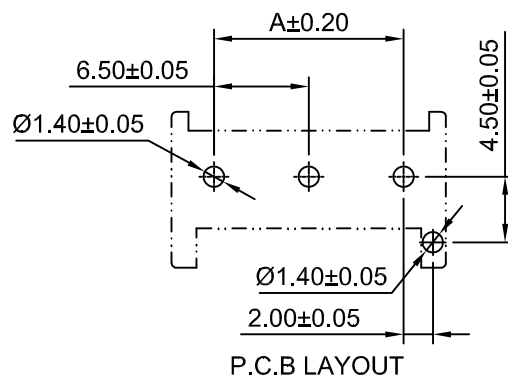
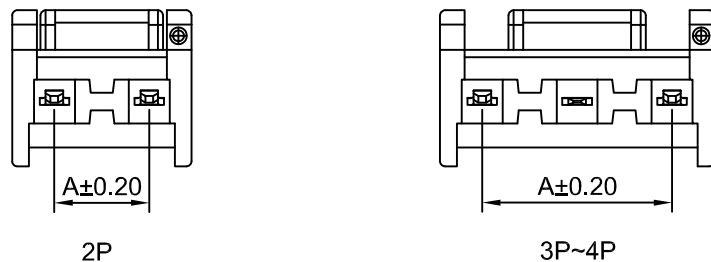
修订 REV	标记 MARK	修改摘要 REVISION DESCRIPTION	签名 SIGNATURE	日期 DATE
AO		NEW RELEASE	WANG	2018-05-28



Ordering Information:

HDGC6201WVC-XP - *** - ** - **
1 2 3 4

- Part No.
- Material:
(blank);Nylon 66+GF,UL94V-0/Ivory
PBT;PBT+GF,UL94V-0/White
GWT;Nylon 66,UL94V-0,GWT 750°C/Ivory
- Color:
(blank);Ivory
RD;Red
BK;Black
BL;Blue
YL;Yellow
GN;Green
- Finish:
(blank);Tin over Nickel
G;Gold over Nickel



SPECIFICATIONS:

Current Rating:15A AC,DC(2 Circuits/AWG#14)
Voltage Rating: 300V AC,DC
Temperature Range: -25°C ~ +85°C
Contact Resistance: 10mΩMax.
Insulation Resistance: 1000MΩMin.
Withstanding Voltage: 1500V AC/minute
Pin Material: Brass/Tin over Nickel
Material:Nylon 66+GF,UL94V-0(Ivory)

Ordering Information & Dimensions

Circuits	Dimensions(mm)		Circuits	Dimensions(mm)	
	A	B		A	B
2P	6.50	12.30	4P	19.50	25.30
3P	13.00	18.80			



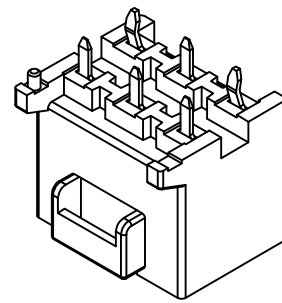
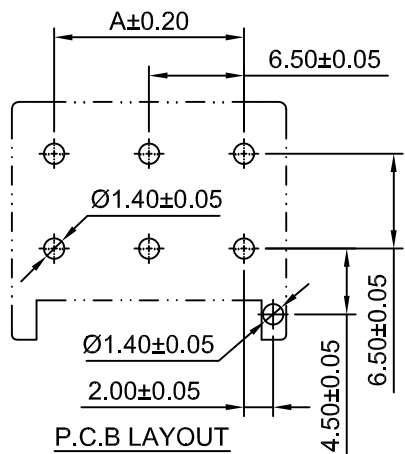
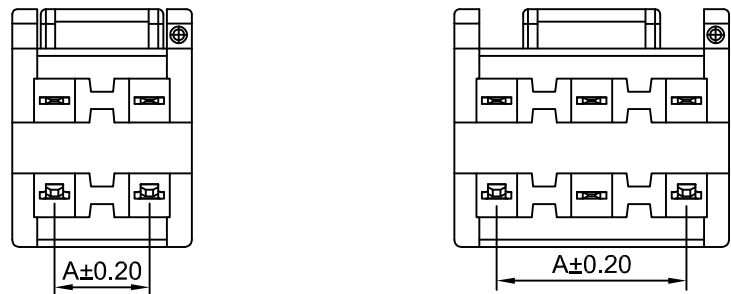
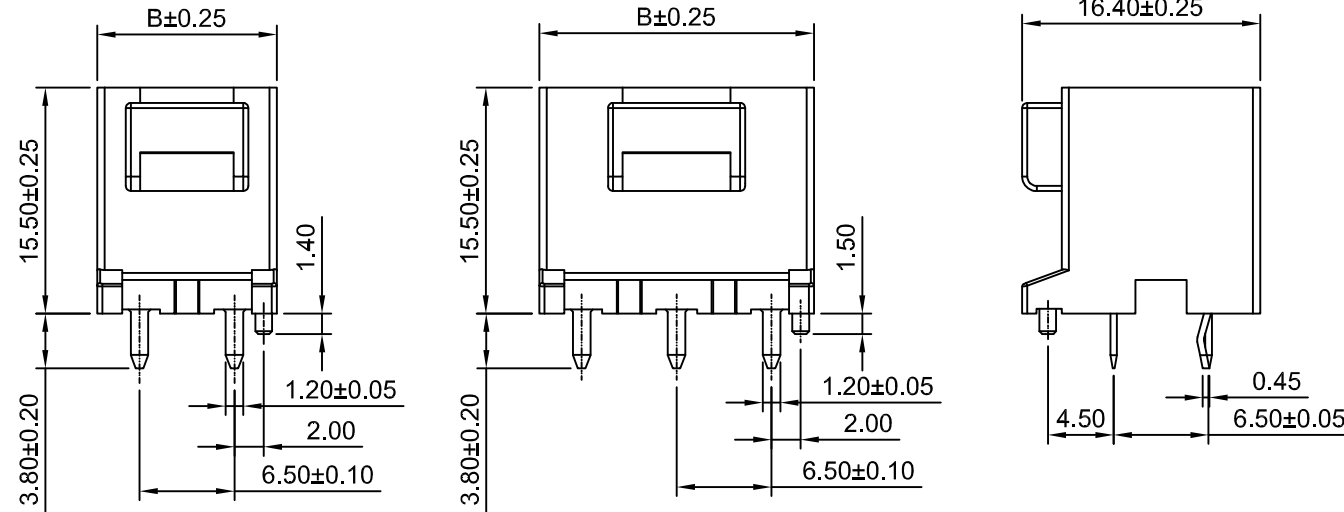
深圳市华德共创科技有限公司

SHENZHEN HUADE CO-CREATE TECHNOLOGY CO.,LTD

TEL : 0755-27129737 FAX : 0755-29940187

-TOLERANCES- UNLESS OTHERWISE SPECIFIED 公差参数表				TITLE: 产品名称 : 6.50mm Pitch 180° Wafer	
X.X	±0.30	X.X°	±3°	APPD: 核准 :	XIE
X.XX	±0.30	X.XX°	±2°	CHECK: 校对 :	WANG
X.XXX	±0.10	X.XXX°	±1°	DRAW: 绘图 :	WANG
PART NO: 产品编号 :			DATE	SCALE	UNIT
HDGC6201WVC-XP			2018-05-28	2:1	mm
CODE NUMBER			A008		

修订 REV	标记 MARK	修改摘要 REVISION DESCRIPTION	签名 SIGNATURE	日期 DATE
AO		NEW RELEASE	WANG	2018-05-28



Ordering Information:

HDGC6201WVC-2xXP - ** - ** - **
1 2 3 4


- Part No.
- Material:
(blank):Nylon 66+GF,UL94V-0/Ivory
PBT:PBT+GF,UL94V-0/White
GWT:Nylon 66,UL94V-0,GWT 750°C/Ivory
- Color:
(blank):Ivory
RD:Red
BK:Black
BL:Blue
YL:Yellow
GN:Green
- Finish:
(blank):Tin over Nickel
G:Gold over Nickel

SPECIFICATIONS:


Current Rating:15A AC,DC(2 Circuits/AWG#14)
Voltage Rating: 300V AC,DC
Temperature Range:-25°C ~ +85°C
Contact Resistance: 10mΩMax.
Insulation Resistance: 1000MΩMin.
Withstanding Voltage: 1500V AC/minute
Pin Material: Brass/Tin over Nickel
Material:Nylon 66+GF,UL94V-0(Ivory)

Ordering Information & Dimensions

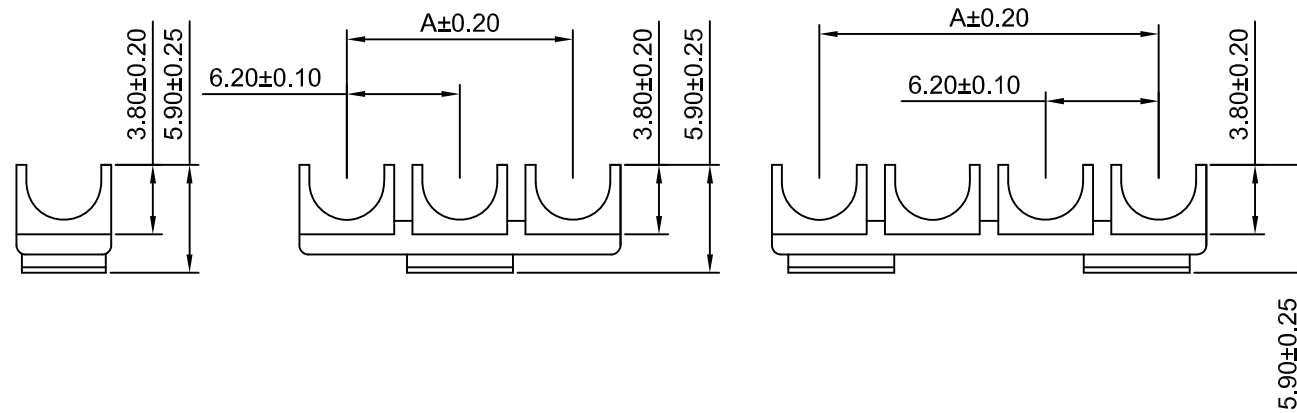
Circuits	Dimensions(mm)		Circuits	Dimensions(mm)	
	A	B		A	B
2x2P	6.50	12.30	2x3P	13.00	18.80



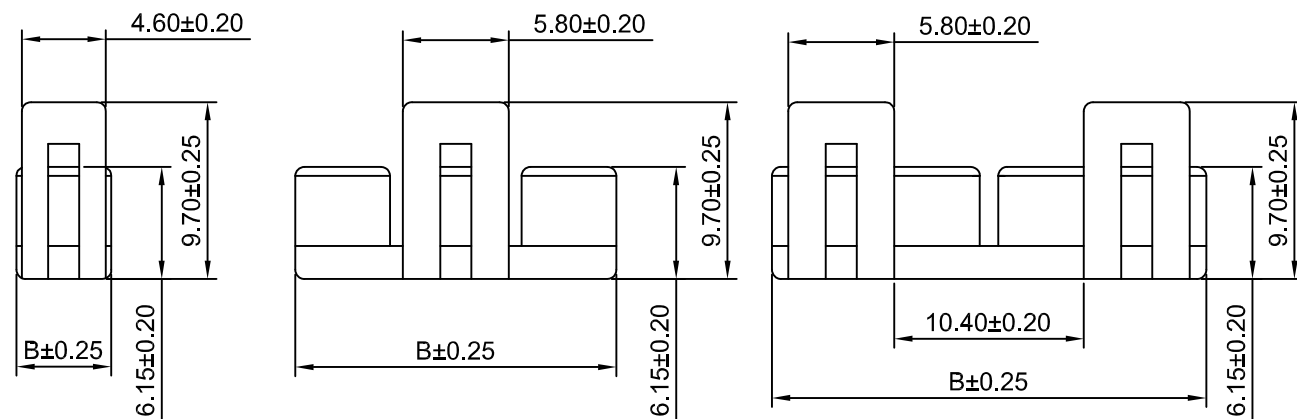
深圳市华德共创科技有限公司
SHENZHEN HUADE CO-CREATE TECHNOLOGY CO.,LTD
TEL : 0755-27129737 FAX : 0755-29940187

-TOLERANCES- UNLESS OTHERWISE SPECIFIED 公差参数表					TITLE: 6.50mm Pitch			
				产品名称: 180° Wafer				
X.X	±0.30	X.X°	±3°	APPD: 核准:	XIE			
X.XX	±0.30	X.XX°	±2°	CHECK: 校对:	WANG			
X.XXX	±0.10	X.XXX°	±1°	DRAW: 绘图:	WANG			
				PART NO: 产品编号:	HDGC6201WVC-2xXP			
				DATE	SCALE	UNIT	CODE NUMBER	
				2018-05-28	2:1	mm	A008	

修订 REV	标记 MARK	修改摘要 REVISION DESCRIPTION	签名 SIGNATURE	日期 DATE
AO		NEW RELEASE	WANG	2015-05-21



Ordering Information:
HDGC6201S-XP - **
 1 2
 1.Part No.
 2.Color:
 (blank):Blue
 IV:Ivory



SPECIFICATIONS:
 Current Rating:20A AC,DC
 Voltage Rating: 600V AC,DC
 Temperature Range: -25°C ~ +85°C
 Contact Resistance: 7mΩMax.
 Insulation Resistance: 100MΩMin.
 Withstanding Voltage: 2000V AC/minute
 Material:Nylon 66,UL94V-0(Blue)

Ordering Information & Dimensions

Circuits	Dimensions(mm)		Circuits	Dimensions(mm)	
	A	B		A	B
1P	---	5.20	4P	18.60	23.80
2P	6.20	11.40	6P	31.00	36.20
3P	12.40	17.60			

1P

2P~3P

4P~6P



深圳市华德共创科技有限公司

SHENZHEN HUADE CO-CREATE TECHNOLOGY CO.,LTD

TEL : 0755-27129737 FAX : 0755-29940187

-TOLERANCES- UNLESS OTHERWISE SPECIFIED 公差参数表					TITLE: 6.20mm Pitch Retainer 产品名称: Retainer			
X.X	±0.30	X.X° ±3°	APPD: 核准:	XIE	PART NO: 产品编号: HDGC6201S-XP			
X.XX	±0.30	X.XX° ±2°	CHECK: 校对:	WANG	DATE	SCALE	UNIT	CODE NUMBER
X.XXX	±0.10	X.XXX° ±1°	DRAW: 绘图:	WANG	2015-05-21	2.5:1	mm	A008