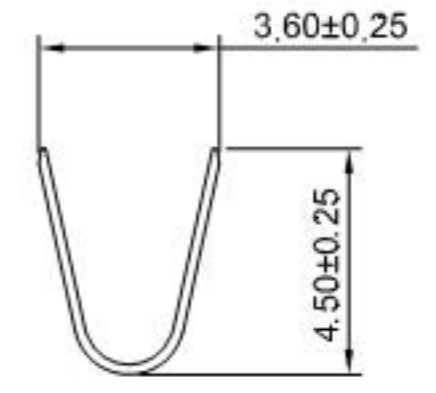
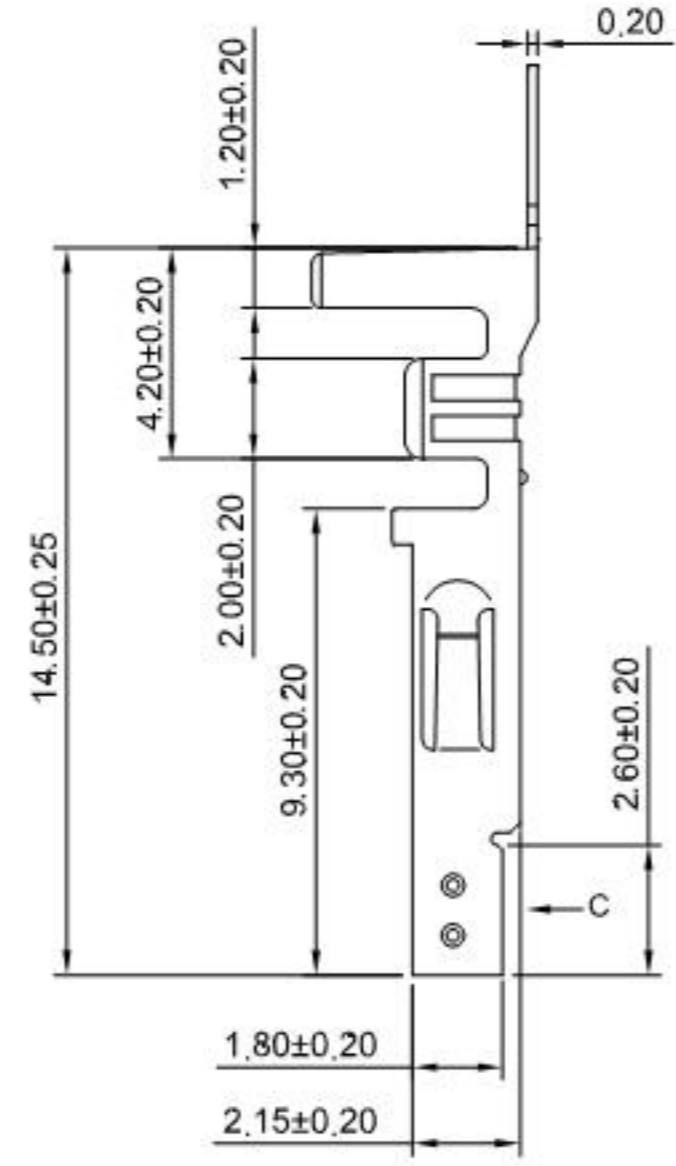
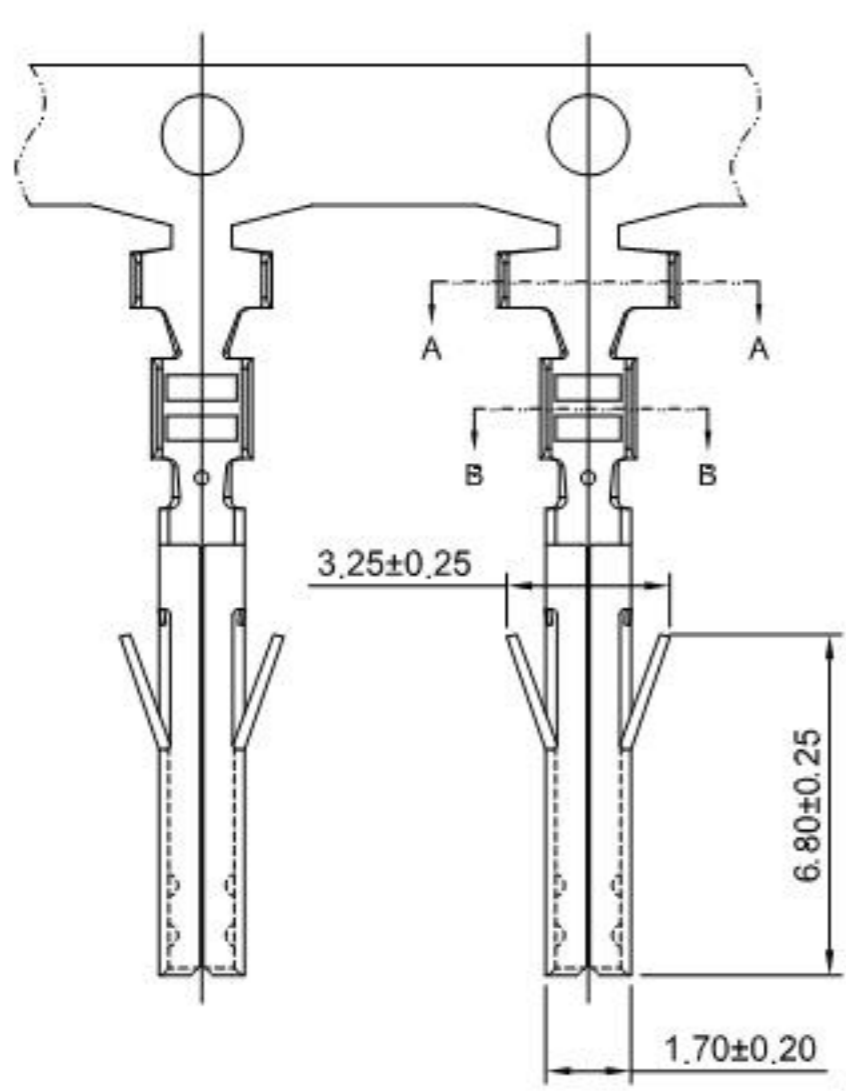
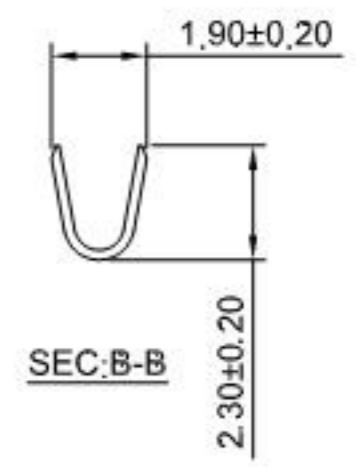
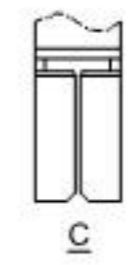




修订 REV	标记 MARK	修改摘要 REVISION DESCRIPTION	签名 SIGNATURE	日期 DATE
A0		NEW RELEASE	WANG	2012-08-22



SEC:A-A



SEC:B-B

Ordering Information & Specifications

Unit:mm

Part No	Wire Range	Insultion O.D.	Material	Finish	Qty/reel
HDGC4201F-TB-H	AWG#18-#24	3,10mm(max)	Brass	Tin over Nickel	4,500 PCS
HDGC4201F-GB-H	AWG#18-#24	3,10mm(max)	Brass	Gold over Nickel	4,500 PCS
HDGC4201F-TP-H	AWG#18-#24	3,10mm(max)	Phosphor Bronze	Tin over Nickel	4,500 PCS
HDGC4201F-GP-H	AWG#18-#24	3,10mm(max)	Phosphor Bronze	Gold over Nickel	4,500 PCS

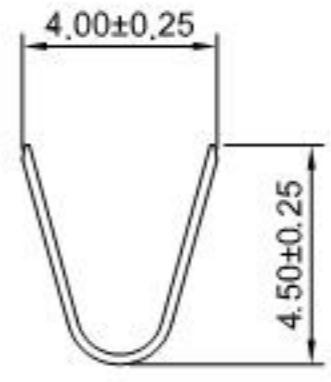
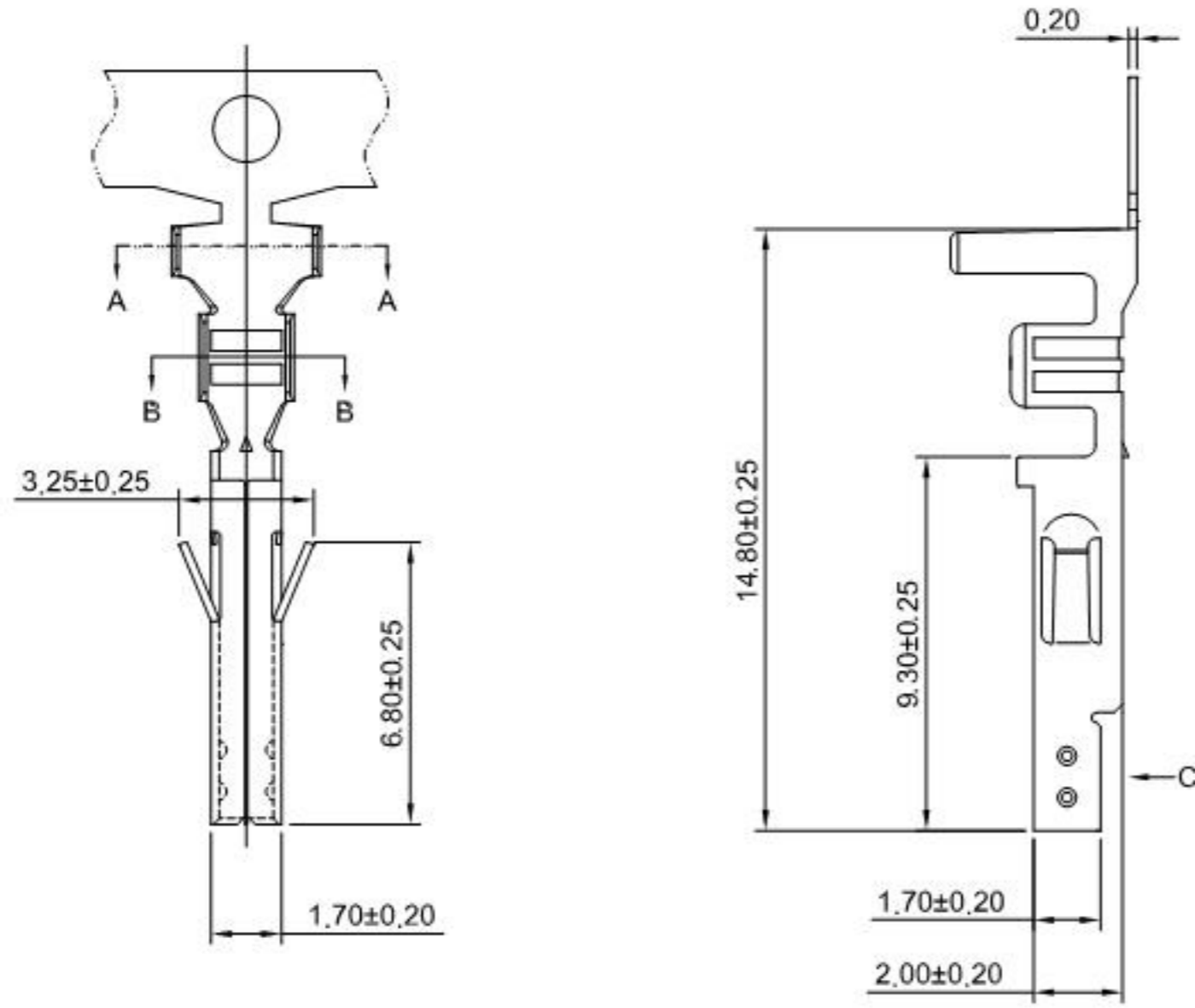


深圳市华德共创科技有限公司

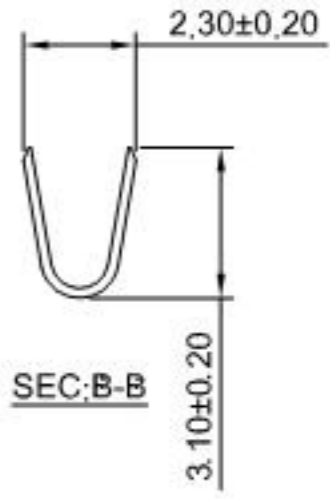
SHENZHEN HUADE CO-CREATE TECHNOLOGY CO.,LTD  
TEL: 0755-27129737 FAX: 0755-29940187

-TOLERANCES- UNLESS OTHERWISE SPECIFIED 公差参数表				TITLE: 产品名称: 4.20mm Pitch Crimp Terminal	
X.X	±0.30	X.X°	±3°	APPD: 核准: XIE	PART NO: 产品编号: HDGC4201F-T-H
X.XX	±0.30	X.XX°	±2°	CHECK: 校对: WANG	DATE
X.XXX	±0.10	X.XXX°	±1°	DRAW: 绘图: WANG	SCALE
				2012-08-22	UNIT
				5:1	CODE NUMBER
				mm	A008

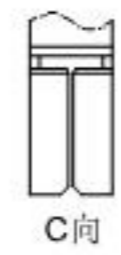
修订 REV	标记 MARK	修改摘要 REVISION DESCRIPTION	签名 SIGNATURE	日期 DATE
A0		NEW RELEASE	WANG	2012-08-22



SEC:A-A



SEC:B-B



C向

Ordering information & Specifications

Unit:mm

Part No	Wire Range	Insultion O.D.	Material	Finish	Qty/reel
HDGC4201F-TB-HH	AWG#16	4.30mm(max)	Brass	Tin over Nickel	4,500 PCS
HDGC4201F-GB-HH	AWG#16	4.30mm(max)	Phosphor Bronze	Tin over Nickel	4,500 PCS
HDGC4201F-TP-HH	AWG#16	4.30mm(max)	Brass	Glod over Nickel	4,500 PCS
HDGC4201F-GP-HH	AWG#16	4.30mm(max)	Phosphor Bronze	Glod over Nickel	4,500 PCS

Optional Gold plating available but MOQ requested



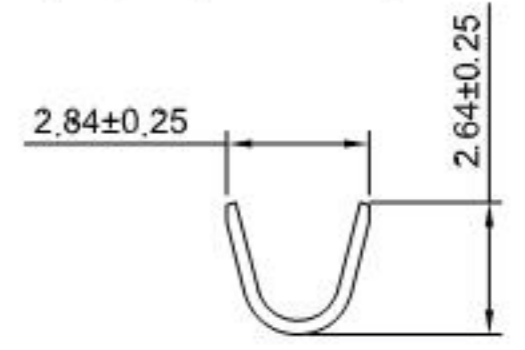
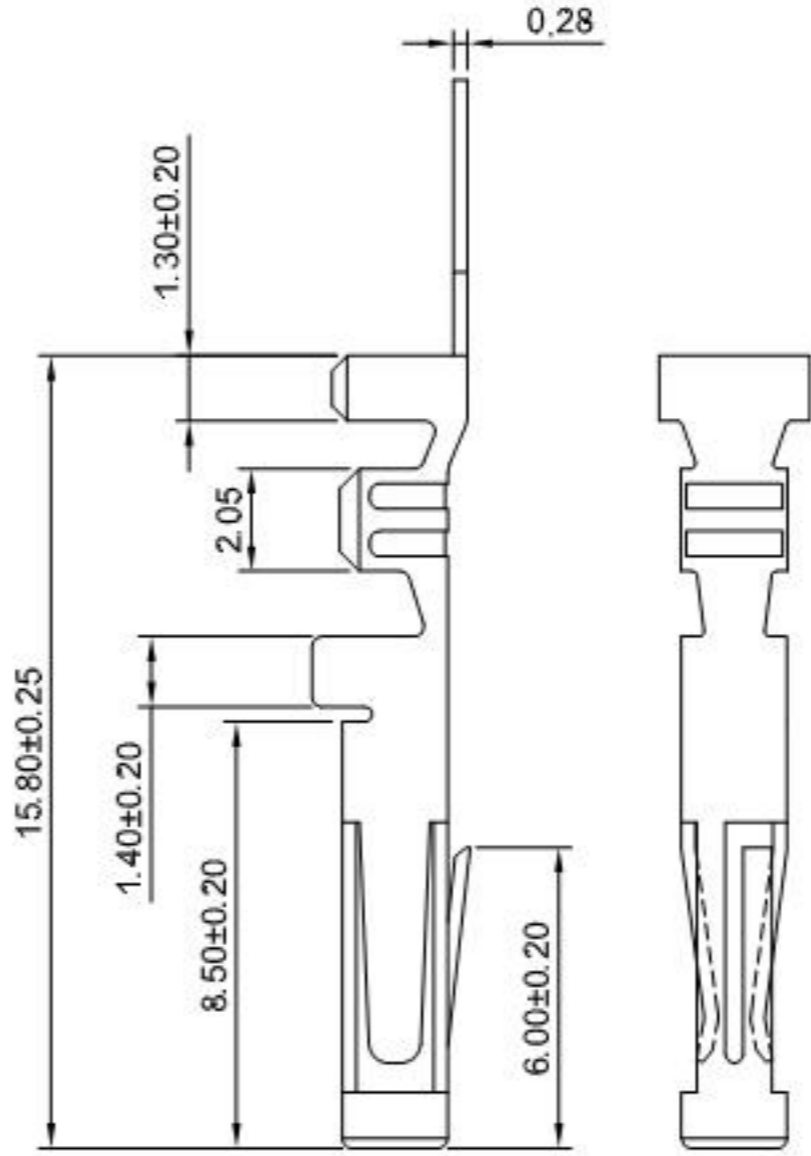
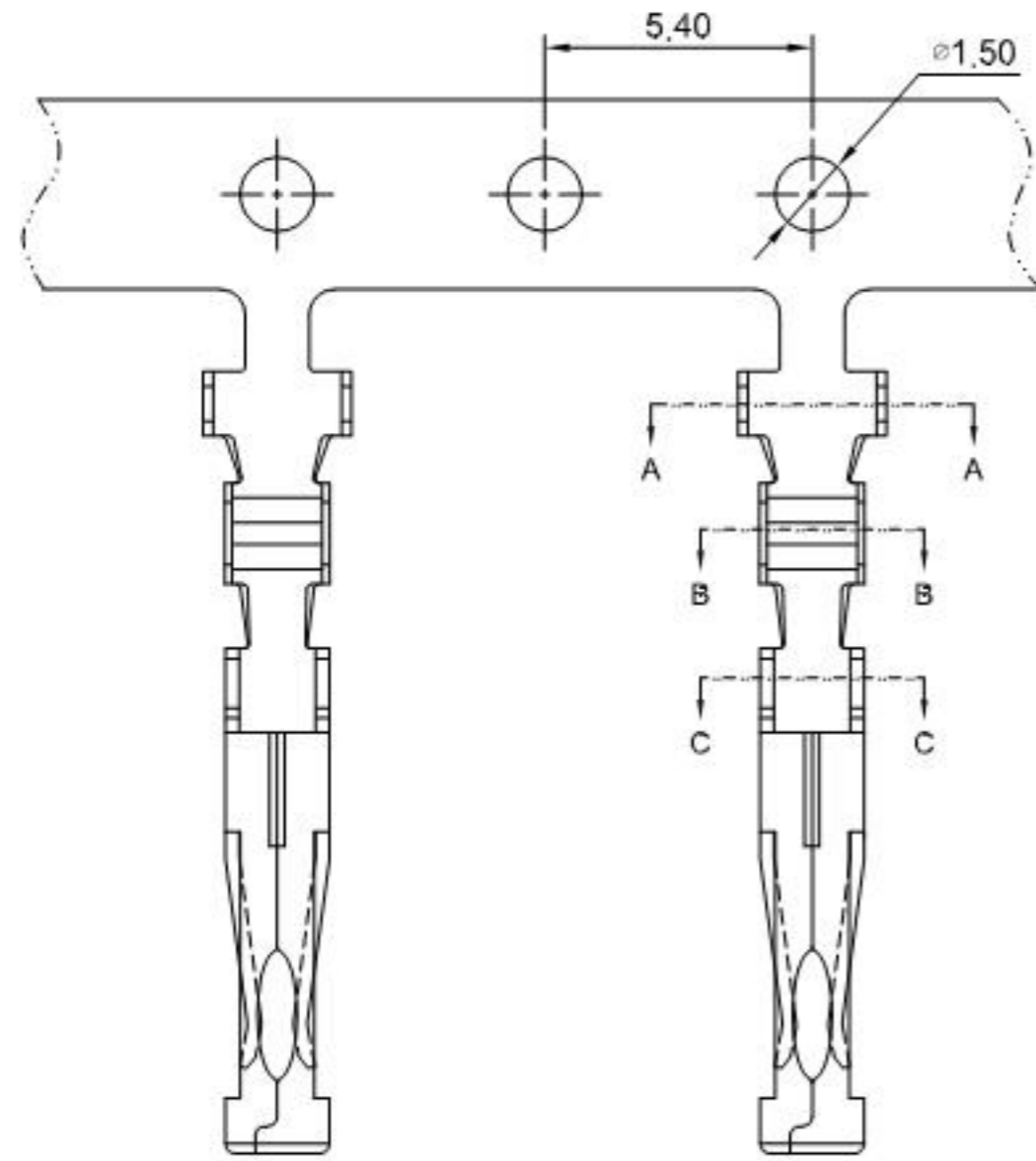
深圳市华德共创科技有限公司

SHENZHEN HUADE CO-CREATE TECHNOLOGY CO.,LTD

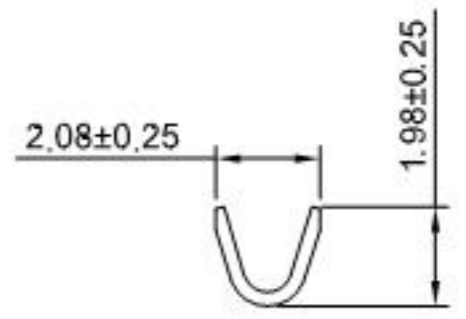
TEL: 0755-27129737 FAX: 0755-29940187

-TOLERANCES- UNLESS OTHERWISE SPECIFIED 公差参数表				TITLE: 产品名称: 4.20mm Pitch Crimp Terminal	
X.X	±0.30	X.X°	±3°	APPD: 核准: XIE	PART NO: 产品编号: HDGC4201F-T-HH
X.XX	±0.30	X.XX°	±2°	CHECK: 校对: WANG	DATE
X.XXX	±0.10	X.XXX°	±1°	DRAW: 绘图: WANG	SCALE
				2012-08-22	UNIT
				5:1	CODE NUMBER
				mm	A008

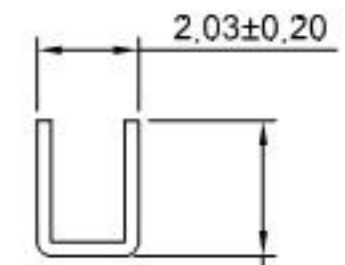
修订 REV	标记 MARK	修改摘要 REVISION DESCRIPTION	签名 SIGNATURE	日期 DATE
A0		NEW RELEASE	WANG	2015-03-13



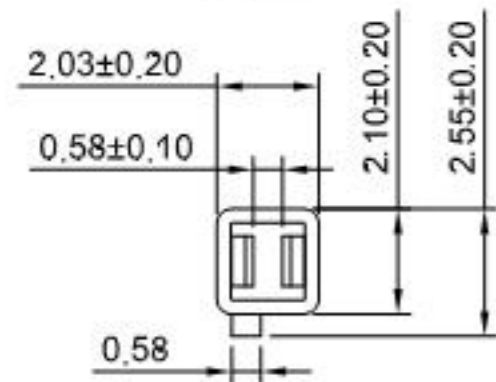
SEC:A-A



SEC:B-B



SEC:C-C



Ordering Information & Specifications

Unit:mm

Part No	Wire Range	Insultion O.D.	Material	Finish	Qty/reel
HDGC4201FS-TP	AWG#20-#24	1.75mm(max)	Phosphor Bronze	Tin over Nickel	10,000 PCS
HDGC4201FS-GP	AWG#20-#24	1.75mm(max)	Phosphor Bronze	Gold over Nickel	10,000 PCS



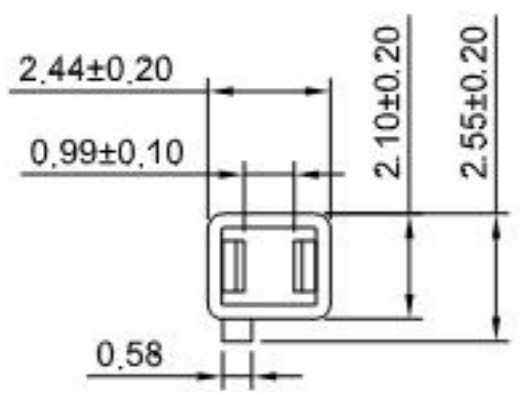
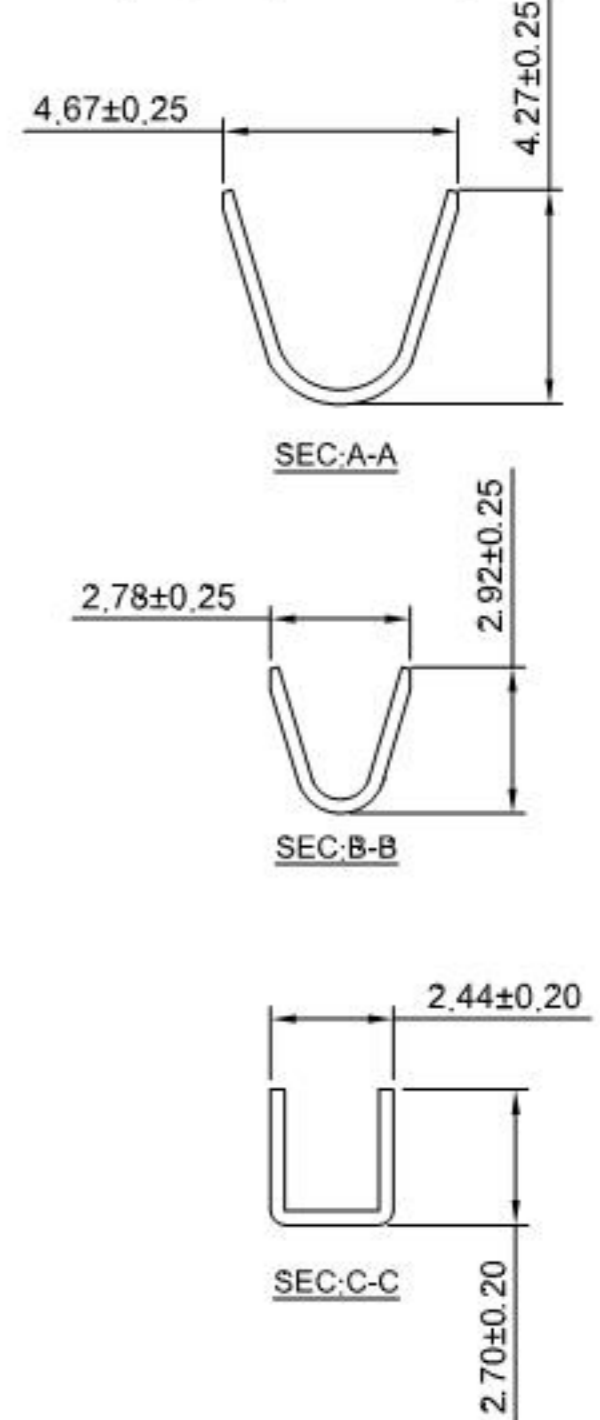
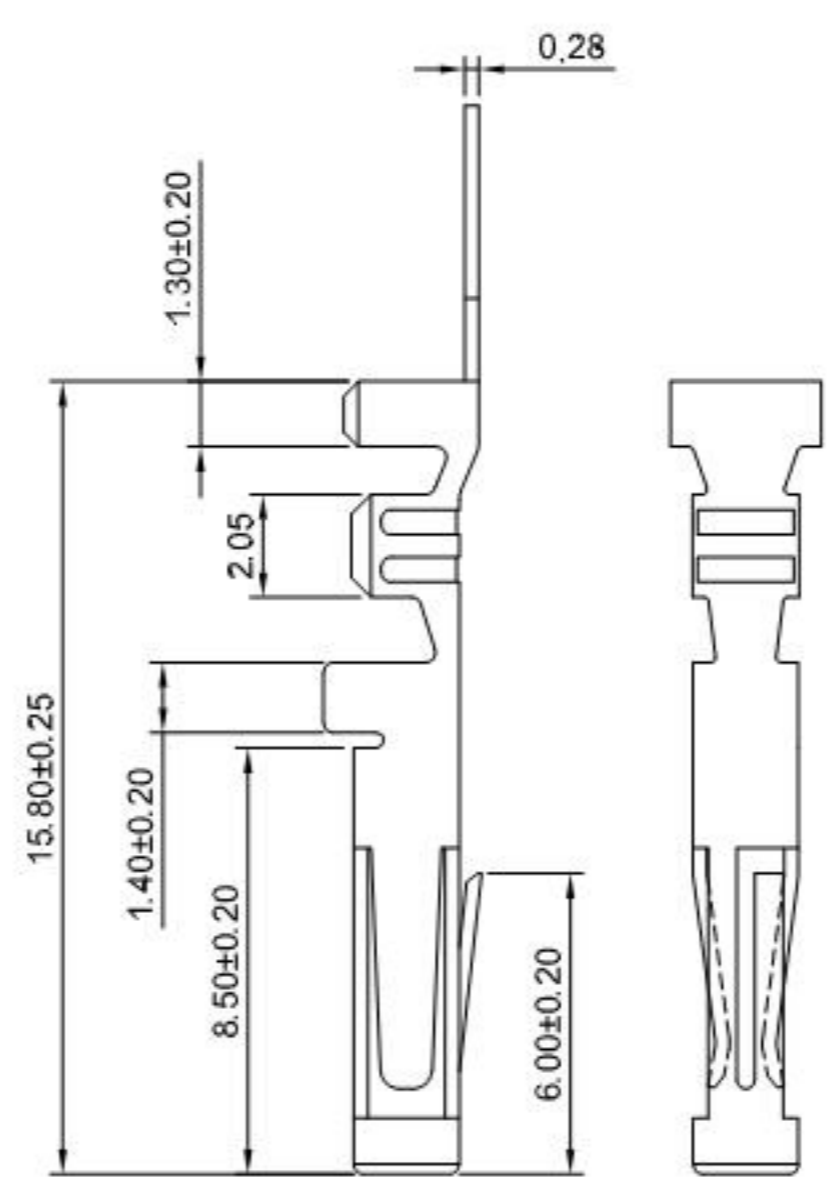
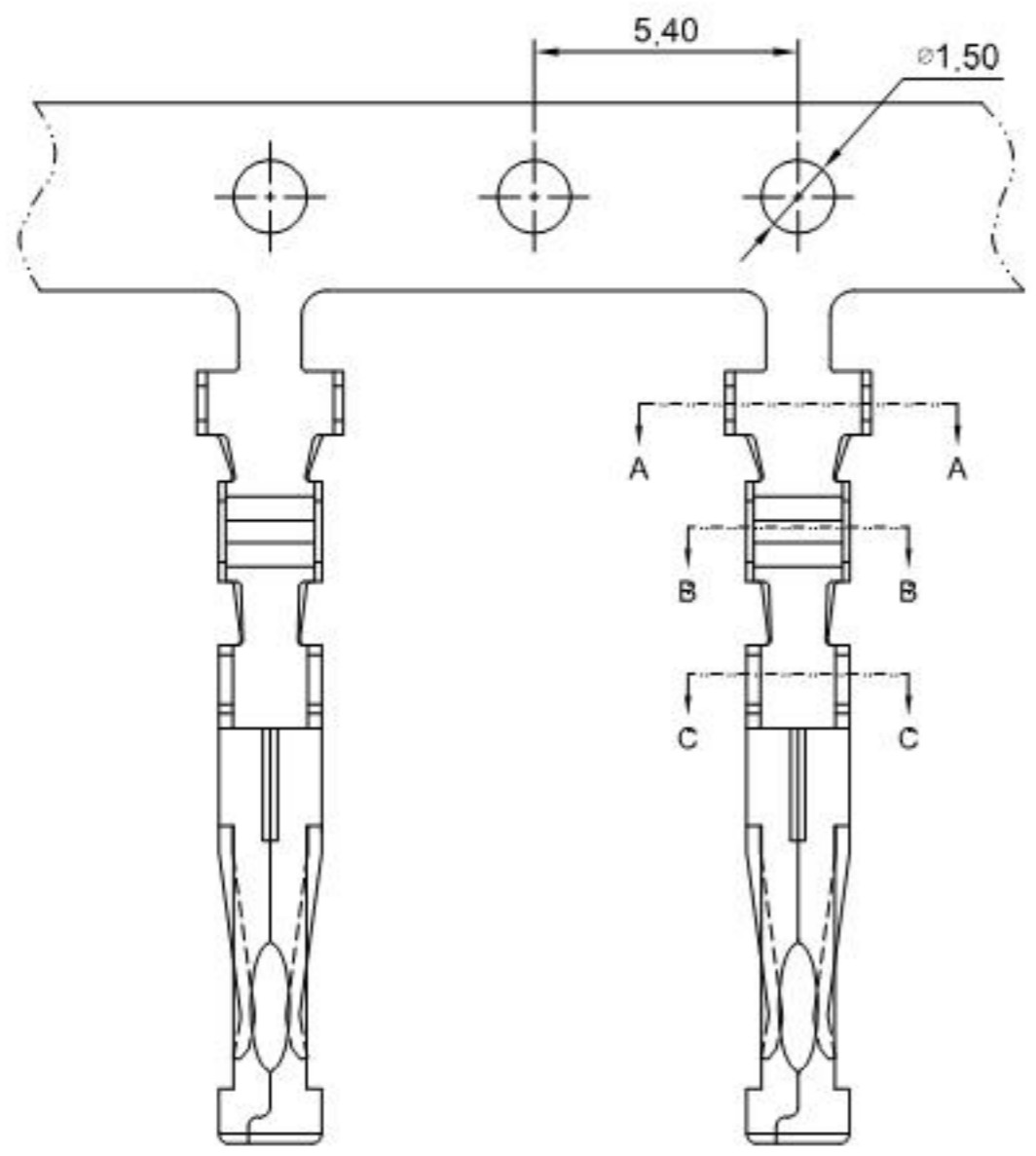
深圳市华德共创科技有限公司

SHENZHEN HUADE CO-CREATE TECHNOLOGY CO., LTD

TEL: 0755-27129737 FAX: 0755-29940187

-TOLERANCES- UNLESS OTHERWISE SPECIFIED 公差参数表						TITLE: 4.19mm Pitch Crimp Terminal			
X.X	±0.30	X.X°	±3°	APPD: 核准:	XIE	PART NO: HDGC4201FS-T			
X.XX	±0.30	X.XX°	±2°	CHECK: 校对:	WANG	DATE	SCALE	UNIT	CODE NUMBER
X.XXX	±0.10	X.XXX°	±1°	DRAW: 绘图:	WANG	2015-03-13	5:1	mm	A008

修订 REV	标记 MARK	修改摘要 REVISION DESCRIPTION	签名 SIGNATURE	日期 DATE
A0		NEW RELEASE	WANG	2015-03-13



Ordering information & Specifications

Part No	Wire Range	Insultion O.D.	Material	Finish	Qty/reel
HDGC4201FS-TP-H	AWG#16-#20	3,12mm(max)	Phosphor Bronze	Tin over Nickel	10,000 PCS
HDGC4201FS-GP-H	AWG#16-#20	3,12mm(max)	Phosphor Bronze	Gold over Nickel	10,000 PCS

Unit:mm



深圳市华德共创科技有限公司

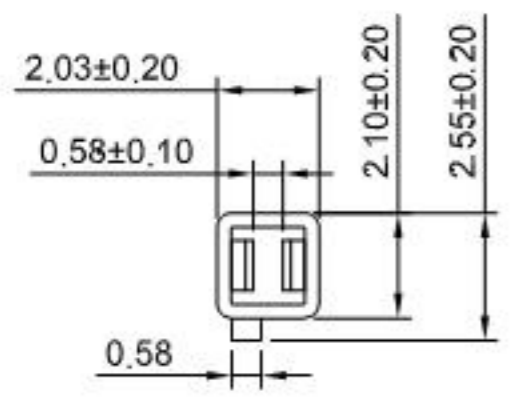
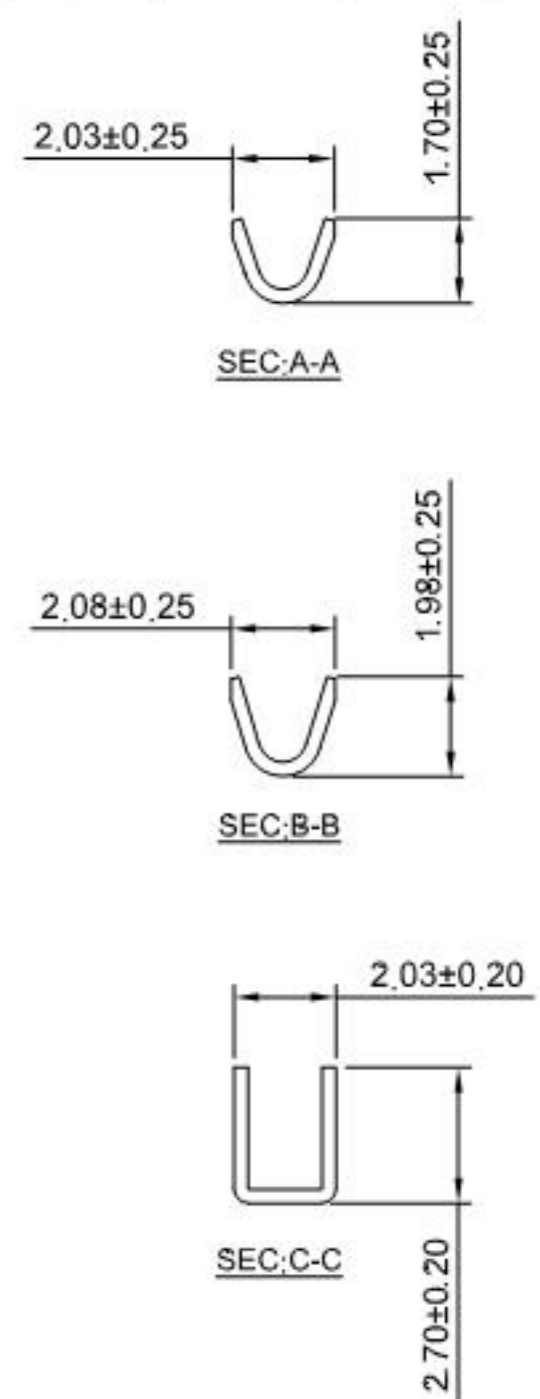
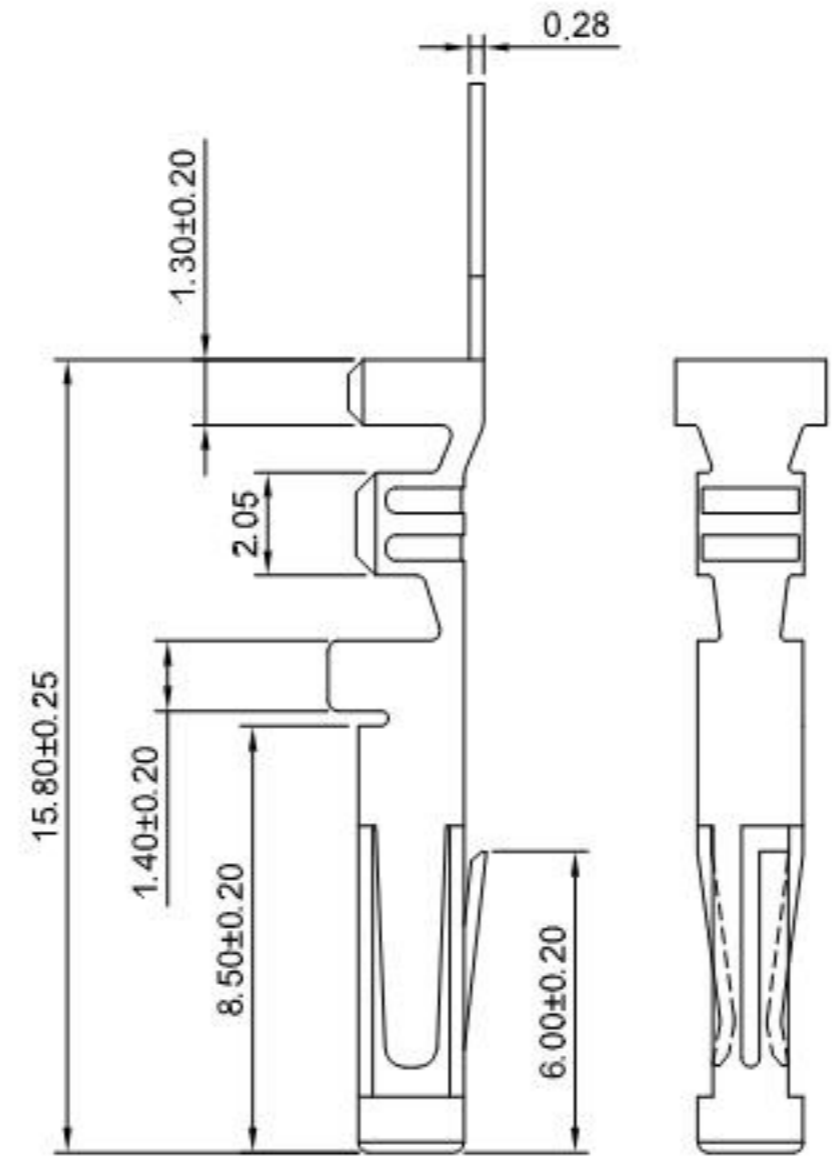
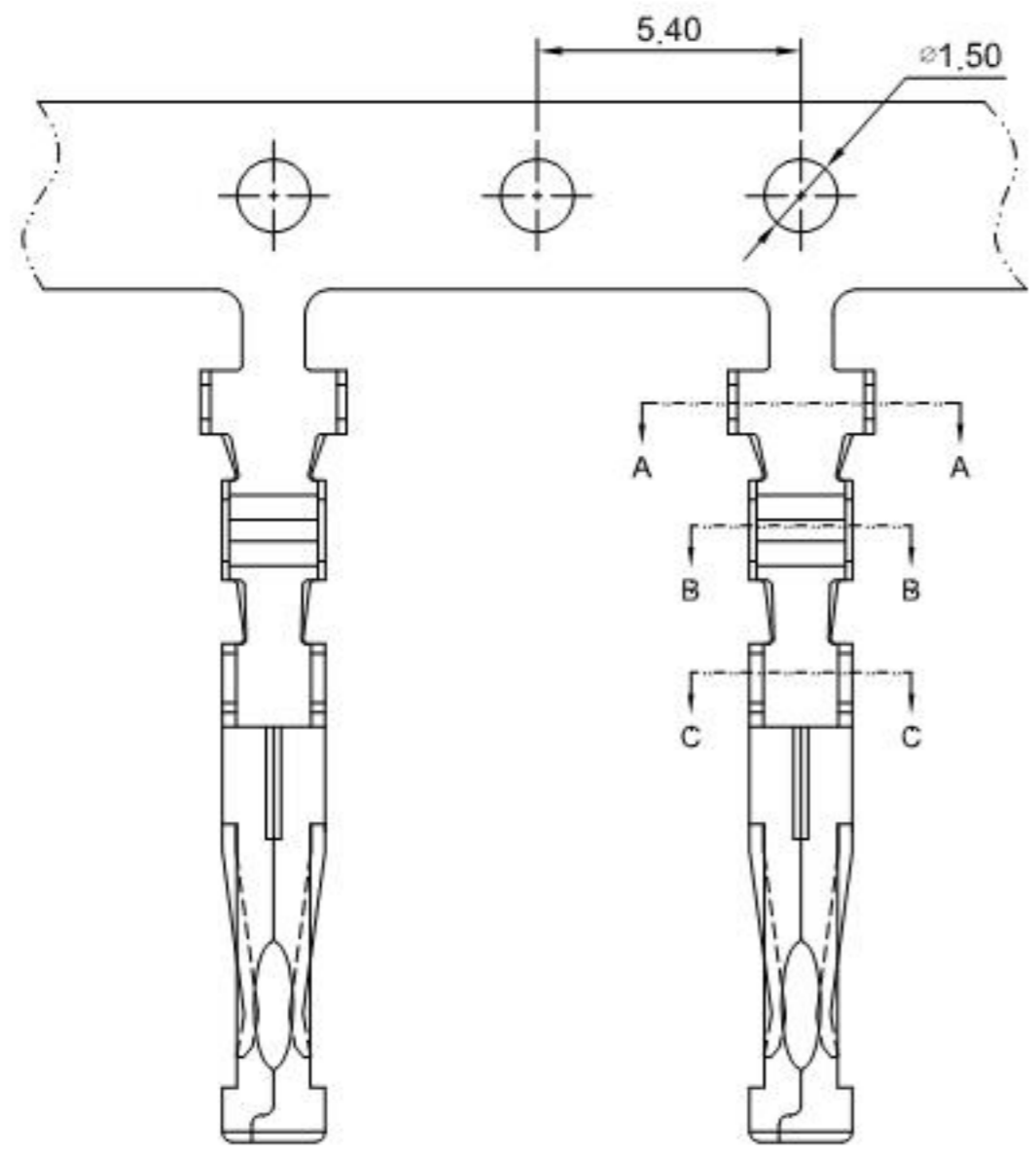
SHENZHEN HUADE CO-CREATE TECHNOLOGY CO.,LTD

TEL: 0755-27129737 FAX: 0755-29940187

-TOLERANCES- UNLESS OTHERWISE SPECIFIED 公差参数表				TITLE: 4.19mm Pitch 产品名称: Crimp Terminal				
X.X	±0.30	X.X°	±3°	APPD: 核准:	XIE			
X.XX	±0.30	X.XX°	±2°	CHECK: 校对:	WANG			
X.XXX	±0.10	X.XXX°	±1°	DRAW: 绘图:	WANG			
				DATE	SCALE	UNIT	CODE NUMBER	
				2015-03-13	5:1	mm	A008	

PART NO: HDGC4201FS-T-H  
产品编号:

修订 REV	标记 MARK	修改摘要 REVISION DESCRIPTION	签名 SIGNATURE	日期 DATE
A0		NEW RELEASE	WANG	2015-03-13



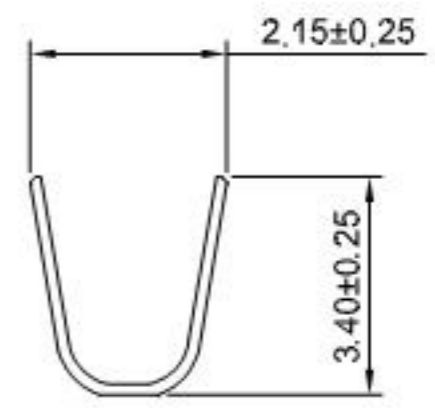
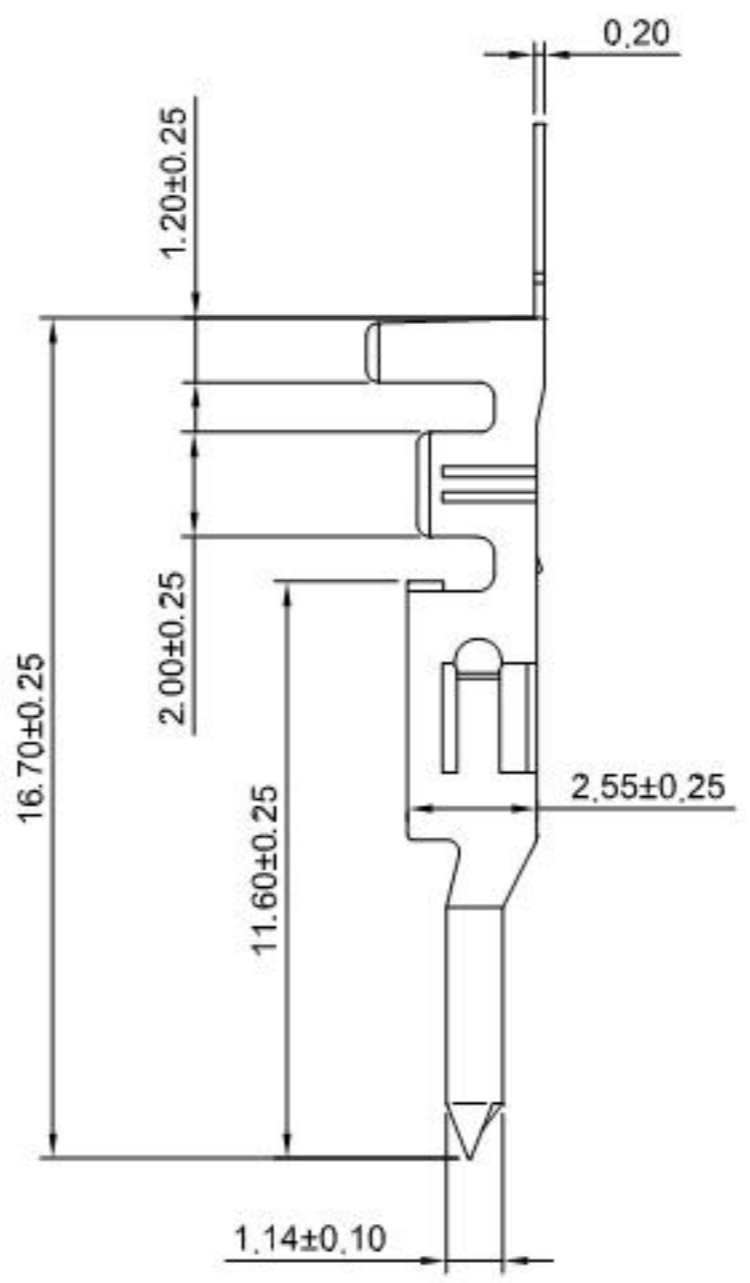
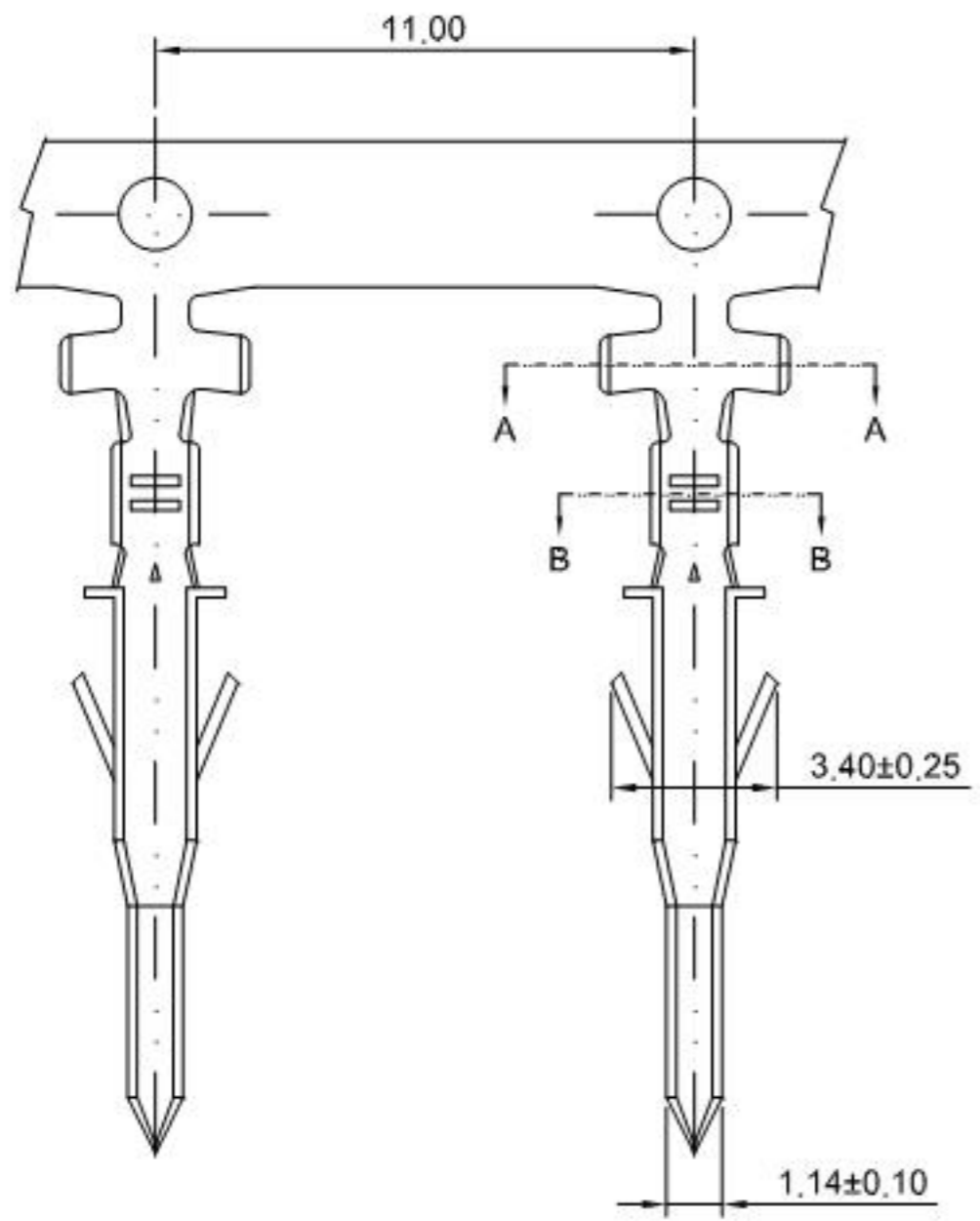
Ordering information & Specifications Unit:mm

Part No	Wire Range	Insultion O.D.	Material	Finish	Qty/reel
HDGC4201FS-TP-L	AWG#24-#26	1,50mm(max)	Phosphor Bronze	Tin over Nickel	10,000 PCS
HDGC4201FS-GP-L	AWG#24-#26	1,50mm(max)	Phosphor Bronze	Gold over Nickel	10,000 PCS

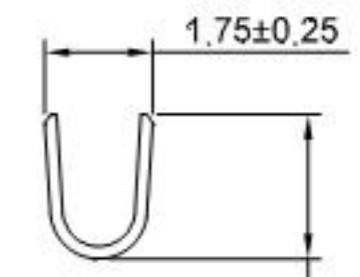
**深圳市华德共创科技有限公司**  
SHENZHEN HUADE CO-CREATE TECHNOLOGY CO., LTD  
TEL: 0755-27129737 FAX: 0755-29940187

-TOLERANCES- UNLESS OTHERWISE SPECIFIED 公差参数表		 	TITLE: 4.19mm Pitch Crimp Terminal			
X.X	±0.30	X.X°	±3°	APPD: 核准: XIE		
X.XX	±0.30	X.XX°	±2°	CHECK: 校对: WANG		
X.XXX	±0.10	X.XXX°	±1°	DRAW: 绘图: WANG		
			DATE	SCALE	UNIT	
			2015-03-13	5:1	mm	
			PART NO: 产品编号:	CODE NUMBER		
			HDGC4201FS-T-L	A008		

修订 REV	标记 MARK	修改摘要 REVISION DESCRIPTION	签名 SIGNATURE	日期 DATE
A0		NEW RELEASE	WANG	2012-08-22



SEC:A-A



SEC:B-B

Ordering Information & Specifications Unit:mm

Part No	Wire Range	Insulation O.D.	Material	Finish	Qty/reel
HDGC4201M-TB	AWG#22-#28	1.80mm(max)	Brass	Tin over Nickel	5,000 PCS
HDGC4201M-TP	AWG#22-#28	1.80mm(max)	Phosphor Bronze	Tin over Nickel	5,000 PCS
HDGC4201M-GB	AWG#22-#28	1.80mm(max)	Brass	Gold over Nickel	5,000 PCS
HDGC4201M-GP	AWG#22-#28	1.80mm(max)	Phosphor Bronze	Gold over Nickel	5,000 PCS

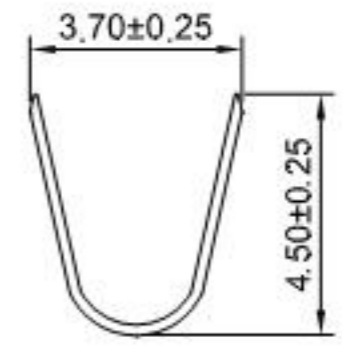
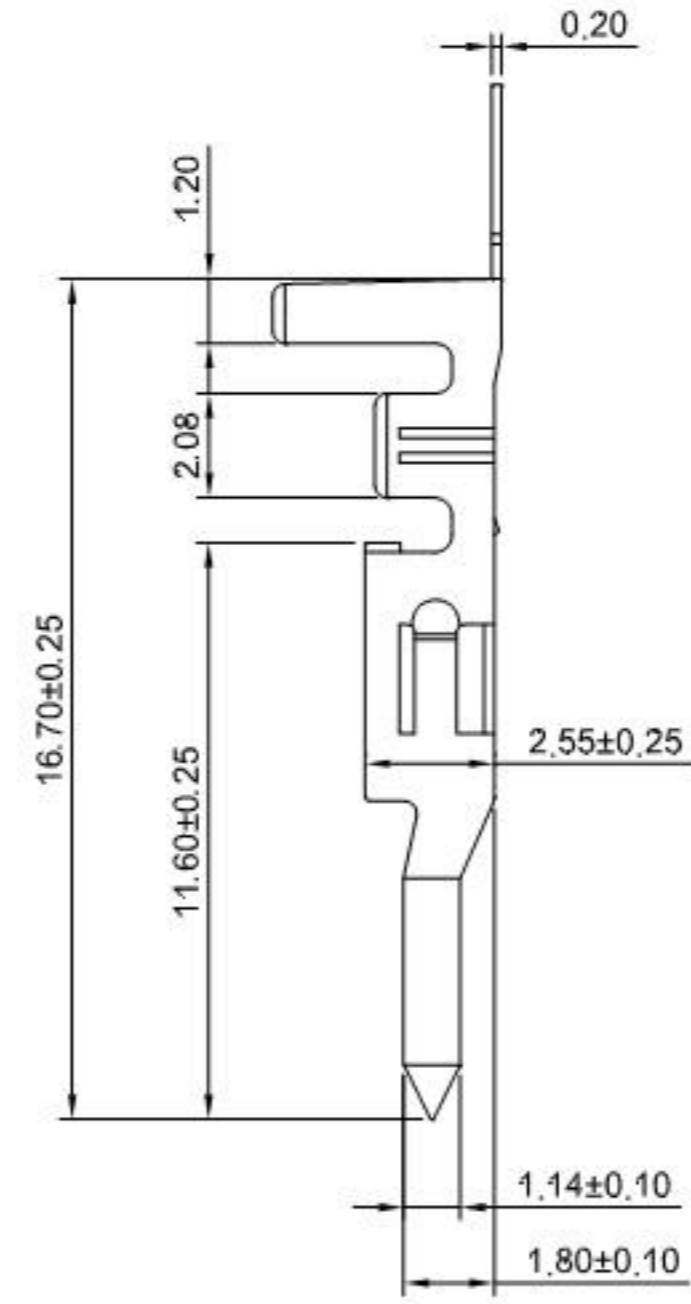
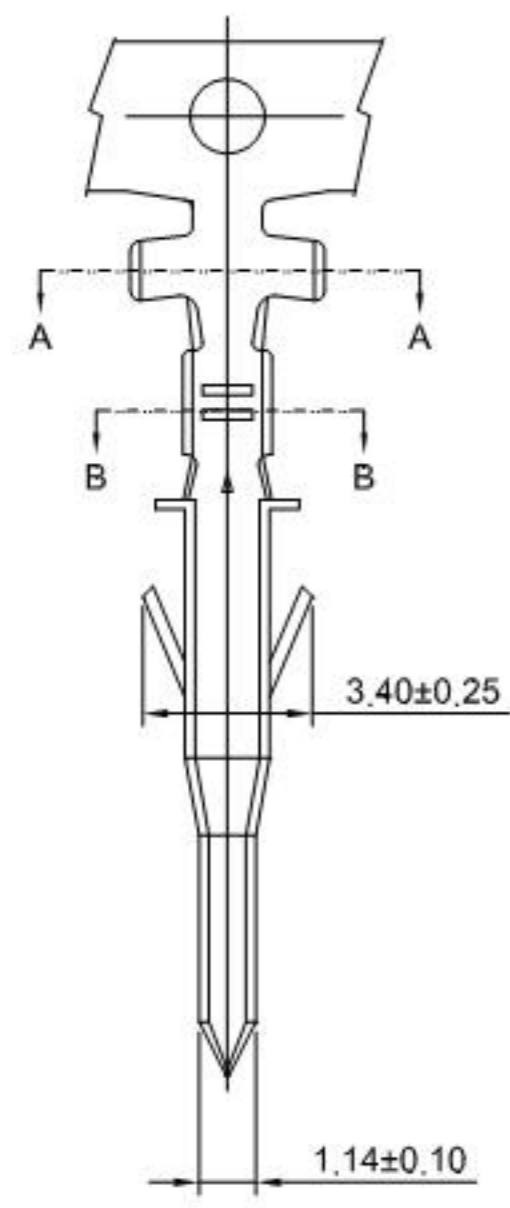


深圳市华德共创科技有限公司

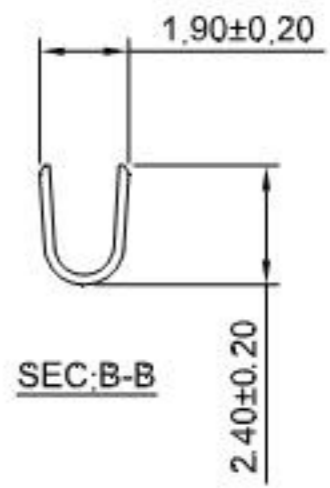
SHENZHEN HUADE CO-CREATE TECHNOLOGY CO., LTD  
TEL: 0755-27129737 FAX: 0755-29940187

-TOLERANCES- UNLESS OTHERWISE SPECIFIED 公差参数表						TITLE: 4.20mm Pitch 产品名称: Crimp Terminal			
X.X	±0.30	X.X°	±3°	APPD: 核准:	XIE	PART NO: 产品编号: HDGC4201M-T			
X.XX	±0.30	X.XX°	±2°	CHECK: 校对:	WANG	DATE	SCALE	UNIT	CODE NUMBER
X.XXX	±0.10	X.XXX°	±1°	DRAW: 绘图:	WANG	2012-08-22	5:1	mm	A008

修订 REV	标记 MARK	修改摘要 REVISION DESCRIPTION	签名 SIGNATURE	日期 DATE
A0		NEW RELEASE	WANG	2012-08-22



SEC:A-A



SEC:B-B

Ordering Information & Specifications

Unit:mm

Part No	Wire Range	Insultion O.D.	Material	Finish	Qty/reel
HDGC4201M-TB-H	AWG#18-#24	3.40mm(max)	Brass	Tin over Nickel	5,000 PCS
HDGC4201M-TP-H	AWG#18-#24	3.40mm(max)	Phosphor Bronze	Tin over Nickel	5,000 PCS
HDGC4201M-GB-H	AWG#18-#24	3.40mm(max)	Brass	Gold over Nickel	5,000 PCS
HDGC4201M-GP-H	AWG#18-#24	3.40mm(max)	Phosphor Bronze	Gold over Nickel	5,000 PCS

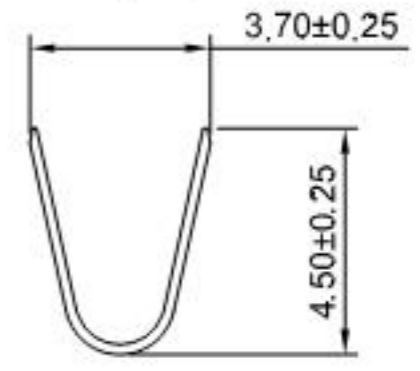
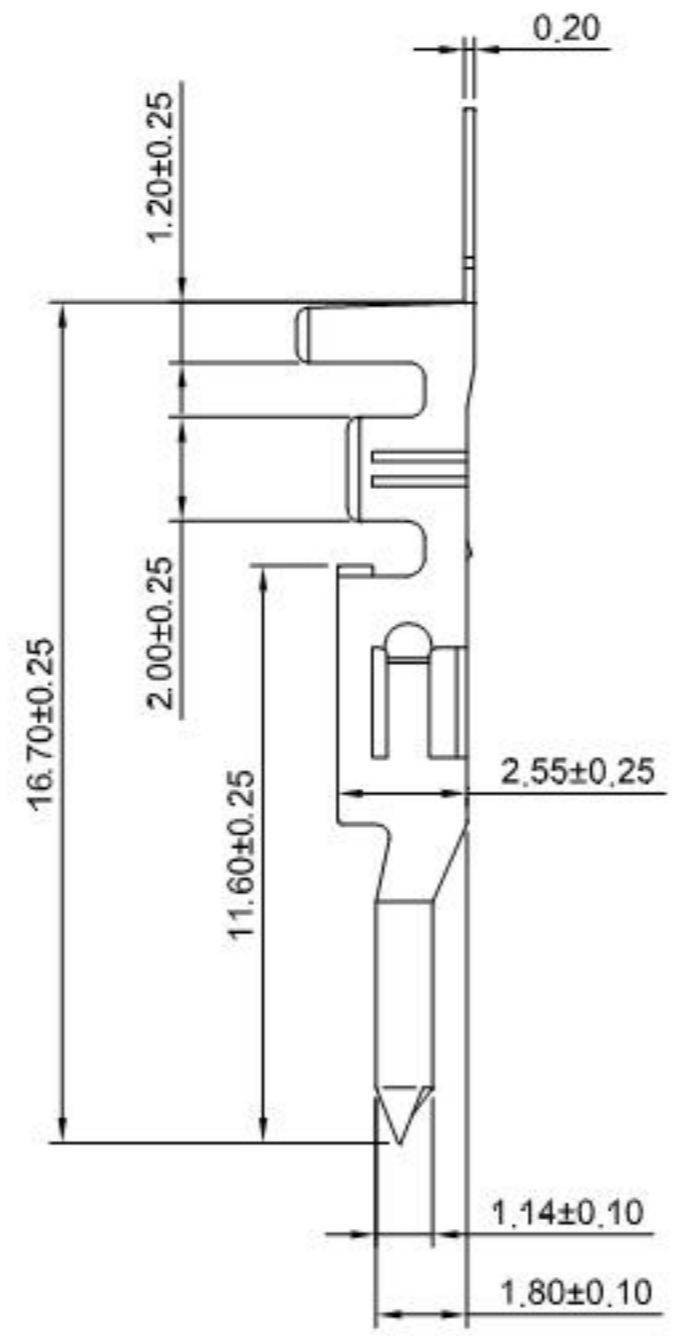
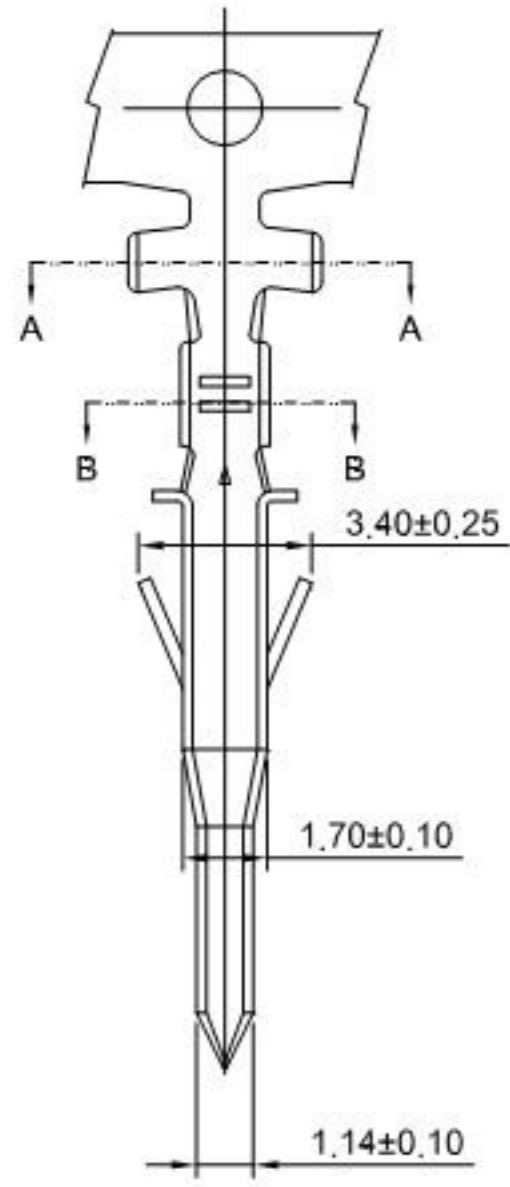


深圳市华德共创科技有限公司  
SHENZHEN HUADE CO-CREATE TECHNOLOGY CO., LTD

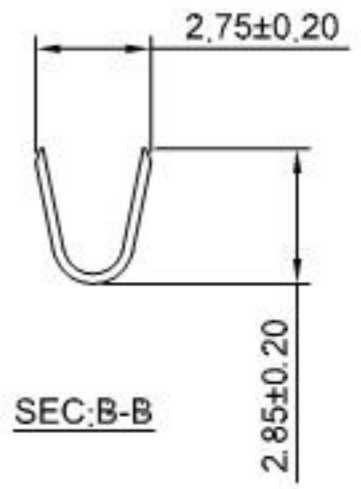
TEL: 0755-27129737 FAX: 0755-29940187

-TOLERANCES- UNLESS OTHERWISE SPECIFIED 公差参数表						TITLE: 4.20mm Pitch Crimp Terminal 产品名称: 4.20mm Pitch Crimp Terminal			
X.X	±0.30	X.X°	±3°	APPD: 核准:	XIE	PART NO: HDGC4201M-T-H 产品编号: HDGC4201M-T-H			
X.XX	±0.30	X.XX°	±2°	CHECK: 校对:	WANG	DATE	SCALE	UNIT	CODE NUMBER
X.XXX	±0.10	X.XXX°	±1°	DRAW: 绘图:	WANG	2012-08-22	5:1	mm	A008

修订 REV	标记 MARK	修改摘要 REVISION DESCRIPTION	签名 SIGNATURE	日期 DATE
A0		NEW RELEASE	WANG	2012-08-22



SEC:A-A



SEC:B-B

Ordering Information & Specifications

Unit:mm

Part No.	Wire Range	Insultion O.D.	Material	Finish	Qty/reel
HDGC4201M-TB-HH	AWG#16	3,10mm(max)	Brass	Tin over Nickel	4,000 PCS
HDGC4201M-TP-HH	AWG#16	3,10mm(max)	Phosphor Bronze	Tin over Nickel	4,000 PCS
HDGC4201M-GB-HH	AWG#16	3,10mm(max)	Brass	Gold over Nickel	4,000 PCS
HDGC4201M-GP-HH	AWG#16	3,10mm(max)	Phosphor Bronze	Gold over Nickel	4,000 PCS



深圳市华德共创科技有限公司  
SHENZHEN HUADE CO-CREATE TECHNOLOGY CO., LTD

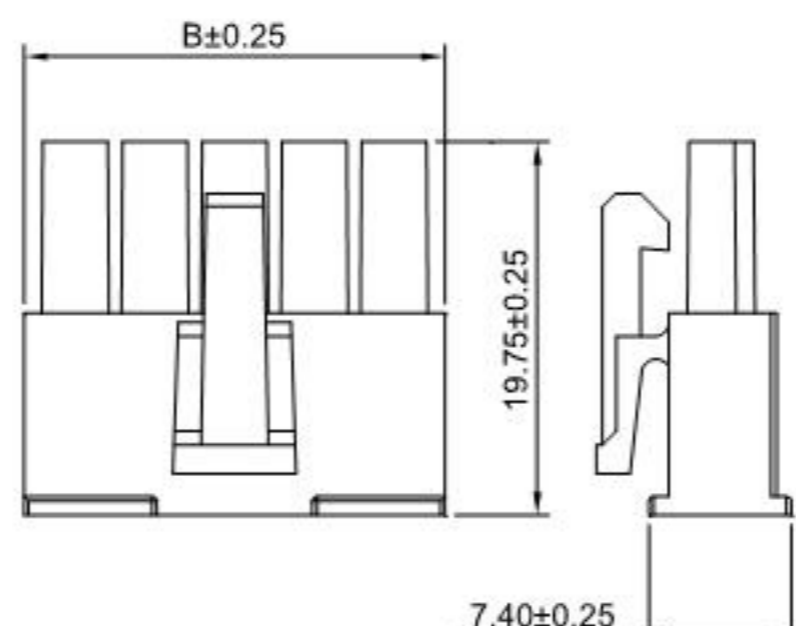
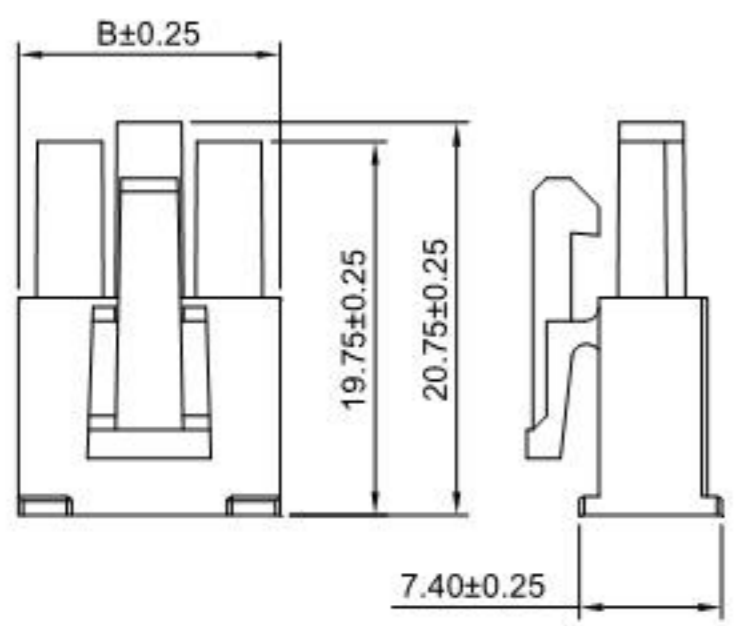
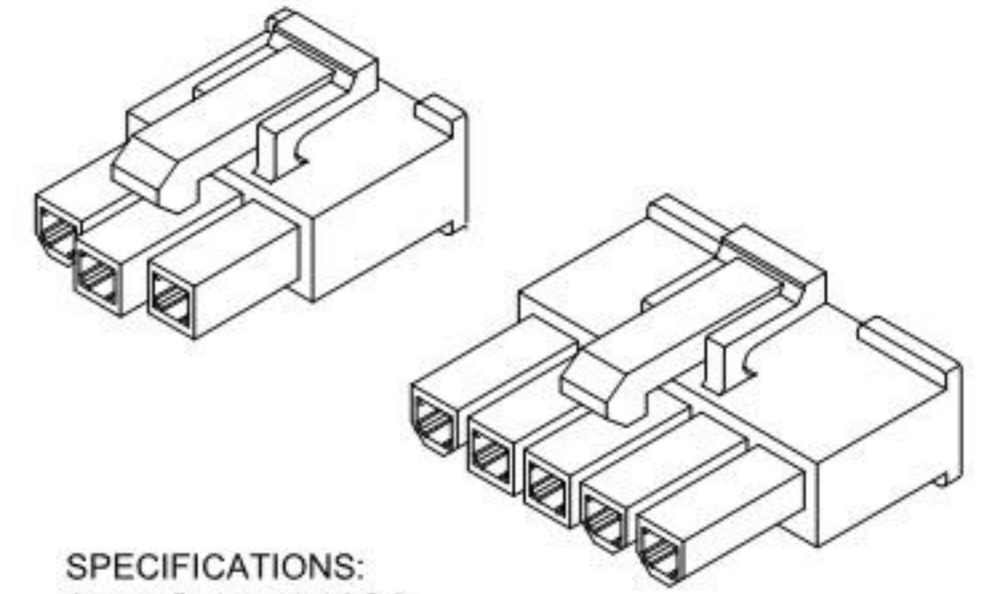
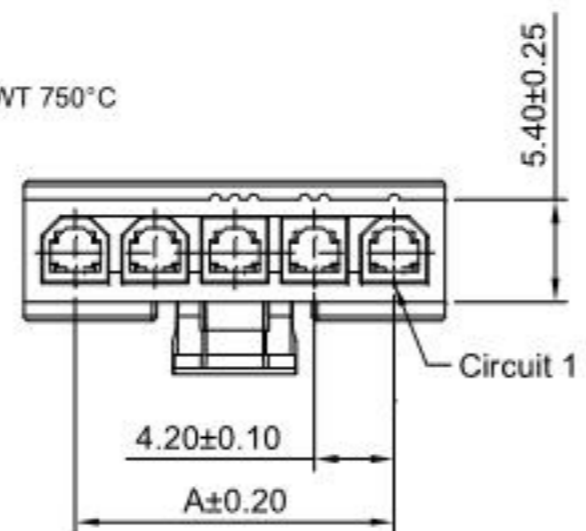
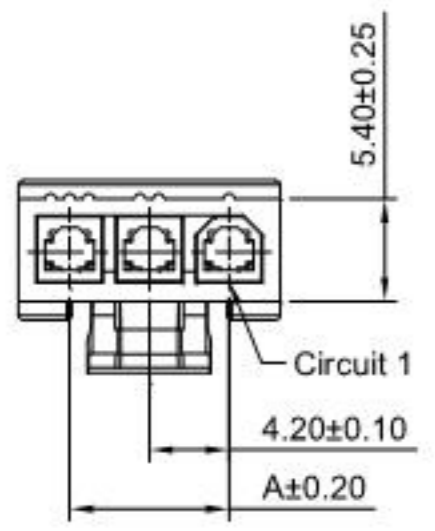
TEL: 0755-27129737 FAX: 0755-29940187

-TOLERANCES- UNLESS OTHERWISE SPECIFIED 公差参数表				TITLE: 产品名称: 4.20mm Pitch Crimp Terminal	
X.X	±0.30	X.X°	±3°	APPD: 核准: XIE	PART NO: 产品编号: HDGC4201M-T-HH
X.XX	±0.30	X.XX°	±2°	CHECK: 校对: WANG	DATE
X.XXX	±0.10	X.XXX°	±1°	DRAW: 绘图: WANG	SCALE
			2012-08-22	5:1	UNIT
				mm	CODE NUMBER
					A008

修订 REV	标记 MARK	修改摘要 REVISION DESCRIPTION	签名 SIGNATURE	日期 DATE
A0		NEW RELEASE	WANG	2012-08-22

Ordering Information:  
HDGC4201HF-XP -  $\frac{**}{2}$  -  $\frac{**}{3}$

- Part No.
- Material:  
 (blank):Nylon 66 UL94V-2  
 V0:Nylon 66 UL94V-0  
 GWT:Nylon 66 UL94V-0,GWT 750°C
- Color:  
 (blank):Natural  
 WH:White  
 BK:Black  
 RD:Red  
 YL:Yellow  
 BL:Blue



**SPECIFICATIONS:**  
 Current Rating: 9A AC,DC  
 Voltage Rating: 600V AC,DC  
 Temperature Range: -25°C ~ +85°C  
 Contact Resistance: 10mΩ Max  
 Insulation Resistance: 1000MΩ Min  
 Withstanding Voltage: 1500V AC/minute  
 Material: Nylon 66,UL94V-2(Natural)

Ordering Information & Dimensions

Circuits	Dimensions(mm)		Circuits	Dimensions(mm)	
	A	B		A	B
2P	4.20	9.60	8P	29.40	34.80
3P	8.40	13.80	9P	33.60	39.00
4P	12.60	18.00	10P	37.80	43.20
5P	16.80	22.20	11P	42.00	47.40
6P	21.00	26.40	12P	46.20	51.60
7P	25.20	30.60			

3P

2P,4P~12P



深圳市华德共创科技有限公司  
 SHENZHEN HUADE CO-CREATE TECHNOLOGY CO.,LTD  
 TEL: 0755-27129737 FAX: 0755-29940187

-TOLERANCES- UNLESS OTHERWISE SPECIFIED 公差参数表				TITLE: 产品名称: 4.20mm Pitch Housing	
X.X	±0.30	X.X°	±3°	APPD: 核准:	XIE
X.XX	±0.30	X.XX°	±2°	CHECK: 校对:	WANG
X.XXX	±0.10	X.XXX°	±1°	DRAW: 绘图:	WANG
PART NO: 产品编号:		DATE		SCALE	UNIT
HDGC4201HF-XP		2012-08-22		2:1	mm
CODE NUMBER				A008	

修订 REV	标记 MARK	修改摘要 REVISION DESCRIPTION	签名 SIGNATURE	日期 DATE
A0		NEW RELEASE	WANG	2012-12-13

**Ordering Information:**

HDGC4201HM-XP -  $\frac{**}{1}$  -  $\frac{**}{2}$  -  $\frac{**}{3}$

1.Part No.

2.Material:

(blank):Nylon 66 UL94V-2

V0:Nylon 66 UL94V-0

GWT:Nylon 66 UL94V-0,GWT 750°C

3.Color:

(blank):Natural

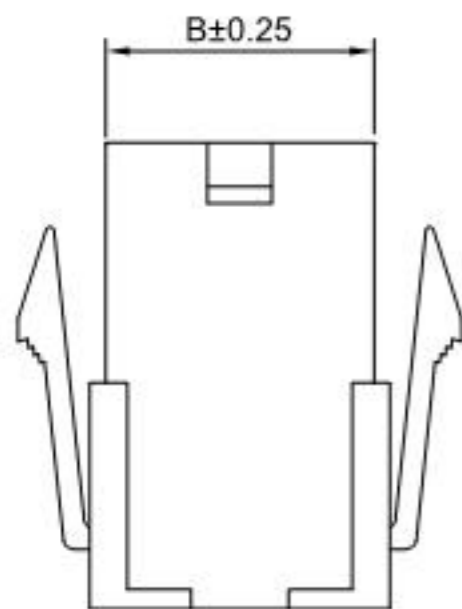
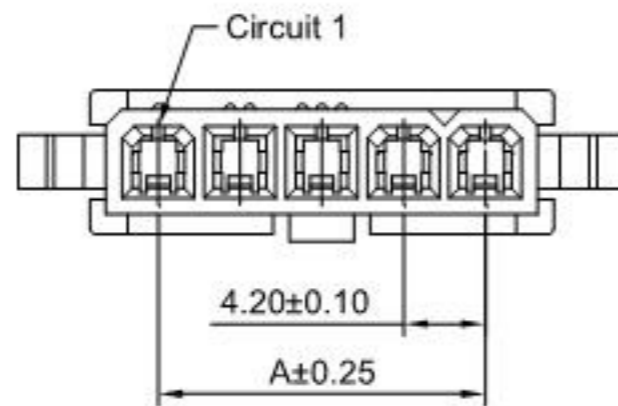
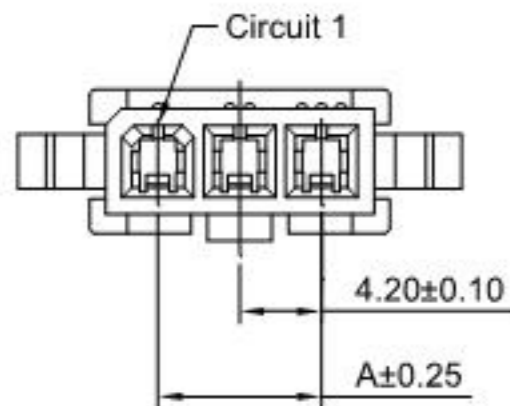
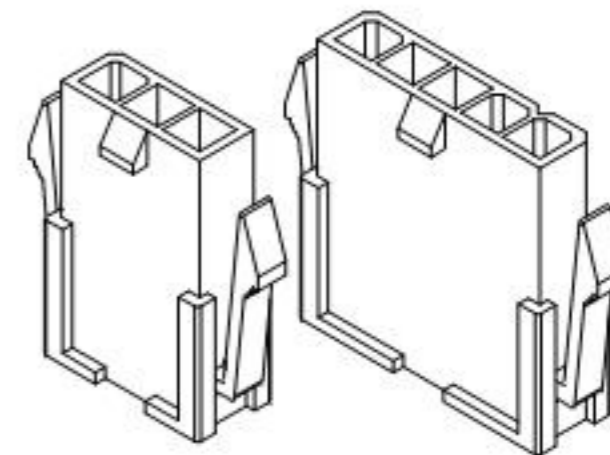
WH:White

BK:Black

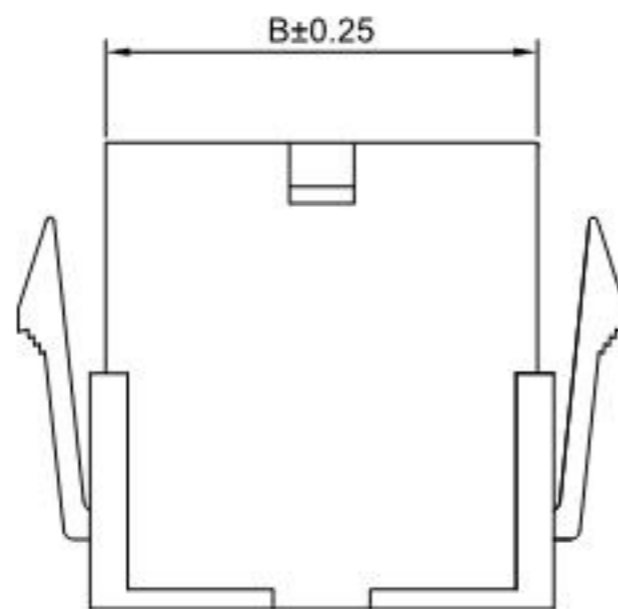
RD:Red

YL:Yellow

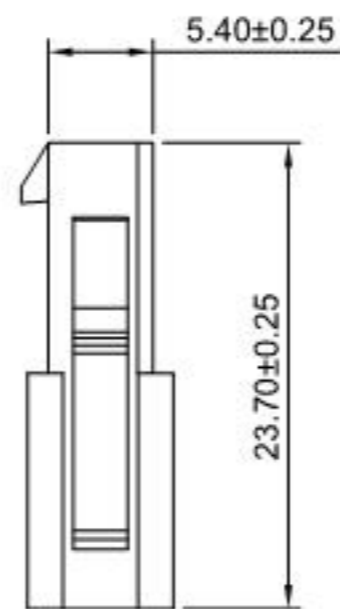
BL:Blue



3P



2P,4P,5P~12P



**SPECIFICATIONS:**

Current Rating: 9A AC,DC

Voltage Rating: 600V AC,DC

Temperature Range: -25°C ~ +85°C

Contact Resistance: 10mΩ Max

Insulation Resistance: 1000MΩ Min

Withstanding Voltage: 1500V AC/minute

Material: Nylon 66,UL94V-2(Natural)

**Ordering Information & Dimensions**

Circuits	Dimensions(mm)		Circuits	Dimensions(mm)	
	A	B		A	B
2P	4.20	9.80	8P	29.40	35.00
3P	8.40	14.00	9P	33.60	39.20
4P	12.60	18.20	10P	37.80	43.40
5P	16.80	22.40	11P	42.00	47.60
6P	21.00	26.60	12P	46.20	51.80
7P	25.20	30.80			



深圳市华德共创科技有限公司

SHENZHEN HUADE CO-CREATE TECHNOLOGY CO.,LTD

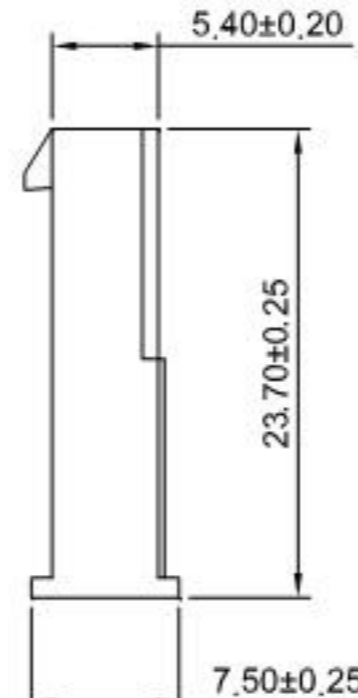
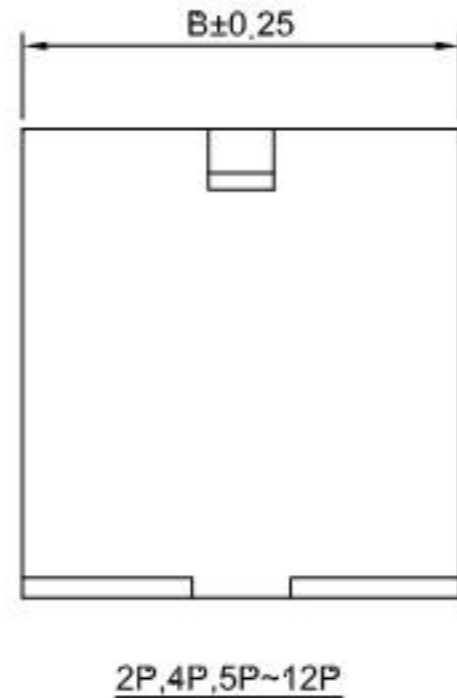
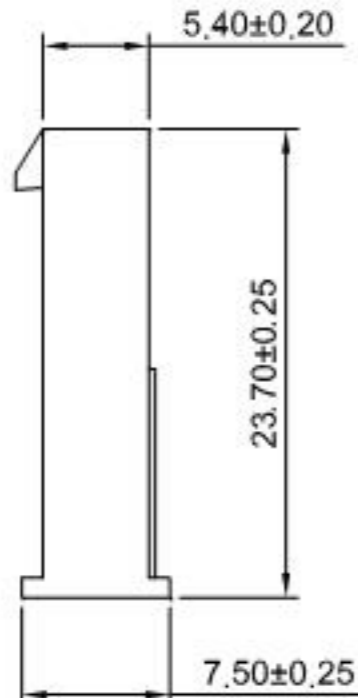
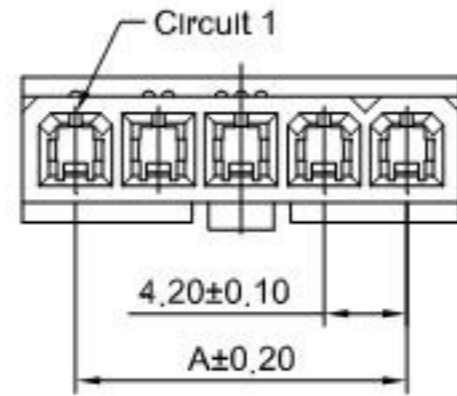
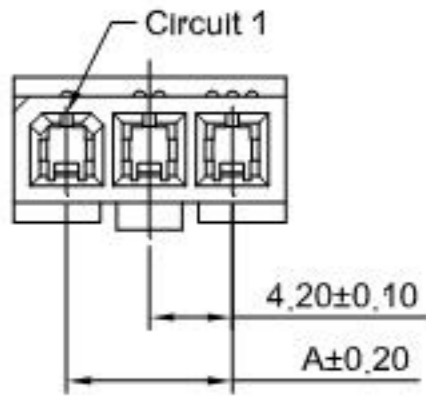
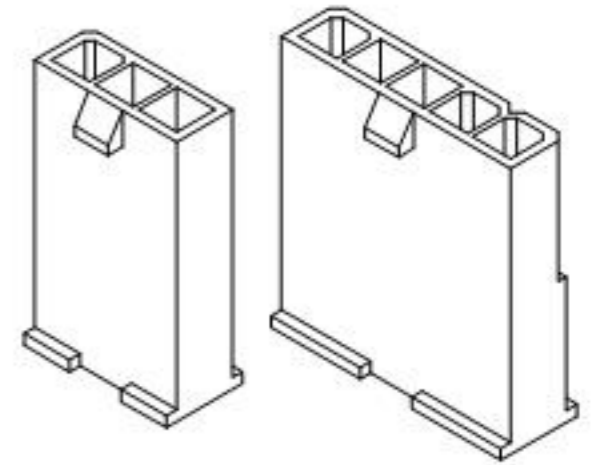
TEL: 0755-27129737 FAX: 0755-29940187

-TOLERANCES- UNLESS OTHERWISE SPECIFIED 公差参数表				TITLE: 产品名称: 4.20mm Pitch Housing	
X.X	±0.30	X.X°	±3°	APPD: 核准:	XIE
X.XX	±0.30	X.XX°	±2°	CHECK: 校对:	WANG
X.XXX	±0.10	X.XXX°	±1°	DRAW: 绘图:	WANG
PART NO: 产品编号:		DATE		SCALE	UNIT
HDGC4201HM-XP		2012-12-13		2:1	mm
CODE NUMBER				A008	

修订 REV	标记 MARK	修改摘要 REVISION DESCRIPTION	签名 SIGNATURE	日期 DATE
A0		NEW RELEASE	WANG	2012-12-13

Ordering Information:  
 HDGC4201HMA-XP -  $\frac{??}{1}$  -  $\frac{??}{2}$  -  $\frac{??}{3}$

- Part No.
- Material:  
 (blank): Nylon 66 UL94V-2  
 V0: Nylon 66 UL94V-0  
 GWT: Nylon 66 UL94V-0, GWT 750°
- Color:  
 (blank): Natural  
 WH: White  
 BK: Black  
 RD: Red  
 YL: Yellow  
 BL: Blue



**SPECIFICATIONS:**

Current Rating: 9A AC,DC  
 Voltage Rating: 600V AC,DC  
 Temperature Range: -25°C ~ +85°C  
 Contact Resistance: 10mΩ Max  
 Insulation Resistance: 1000MΩ Min  
 Withstanding Voltage: 1500V AC/minute  
 Material: Nylon 66, UL94V-2(Natural)

**Ordering Information & Dimensions**

Circuits	Dimensions(mm)		Circuits	Dimensions(mm)	
	A	B		A	B
1P	—	5.60	7P	25.20	30.80
2P	4.20	9.80	8P	29.40	35.00
3P	8.40	14.00	9P	33.60	39.20
4P	12.60	18.20	10P	37.80	43.40
5P	16.80	22.40	11P	42.00	47.60
6P	21.00	26.60	12P	46.20	51.80



深圳市华德共创科技有限公司

SHENZHEN HUADE CO-CREATE TECHNOLOGY CO., LTD

TEL: 0755-27129737 FAX: 0755-29940187

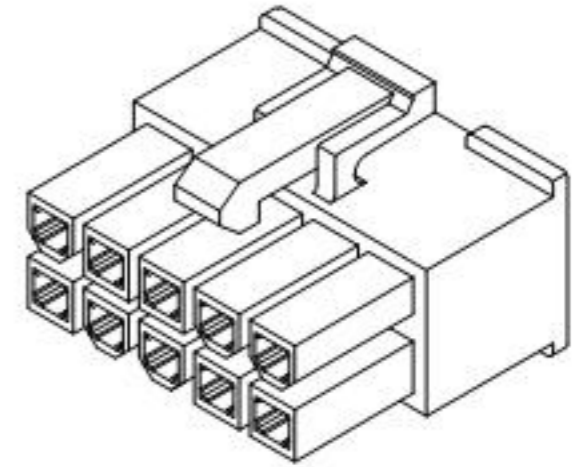
-TOLERANCES- UNLESS OTHERWISE SPECIFIED 公差参数表				TITLE: 产品名称: 4.20mm Pitch Housing	
X.X	±0.30	X.X°	±3°	APPD: 核准:	XIE
X.XX	±0.30	X.XX°	±2°	CHECK: 校对:	WANG
X.XXX	±0.10	X.XXX°	±1°	DRAW: 绘图:	WANG
PART NO: 产品编号: HDGC4201HMA-XP		DATE	SCALE	UNIT	CODE NUMBER
		2012-12-13	2:1	mm	A008

修订 REV	标记 MARK	修改摘要 REVISION DESCRIPTION	签名 SIGNATURE	日期 DATE
A0		NEW RELEASE	WANG	2012-12-13

**Ordering Information:**

HDGC4201HF-2xXP - \*\* - \*\*  
1 2 3

- Part No.
- Material:  
 (blank):Nylon 66 UL94V-2  
 V0:Nylon 66 UL94V-0  
 GWT:Nylon 66 UL94V-0,GWT 750°C
- Color:  
 (blank):Natural  
 WH:White  
 BK:Black  
 RD:Red  
 YL:Yellow  
 BL:Blue

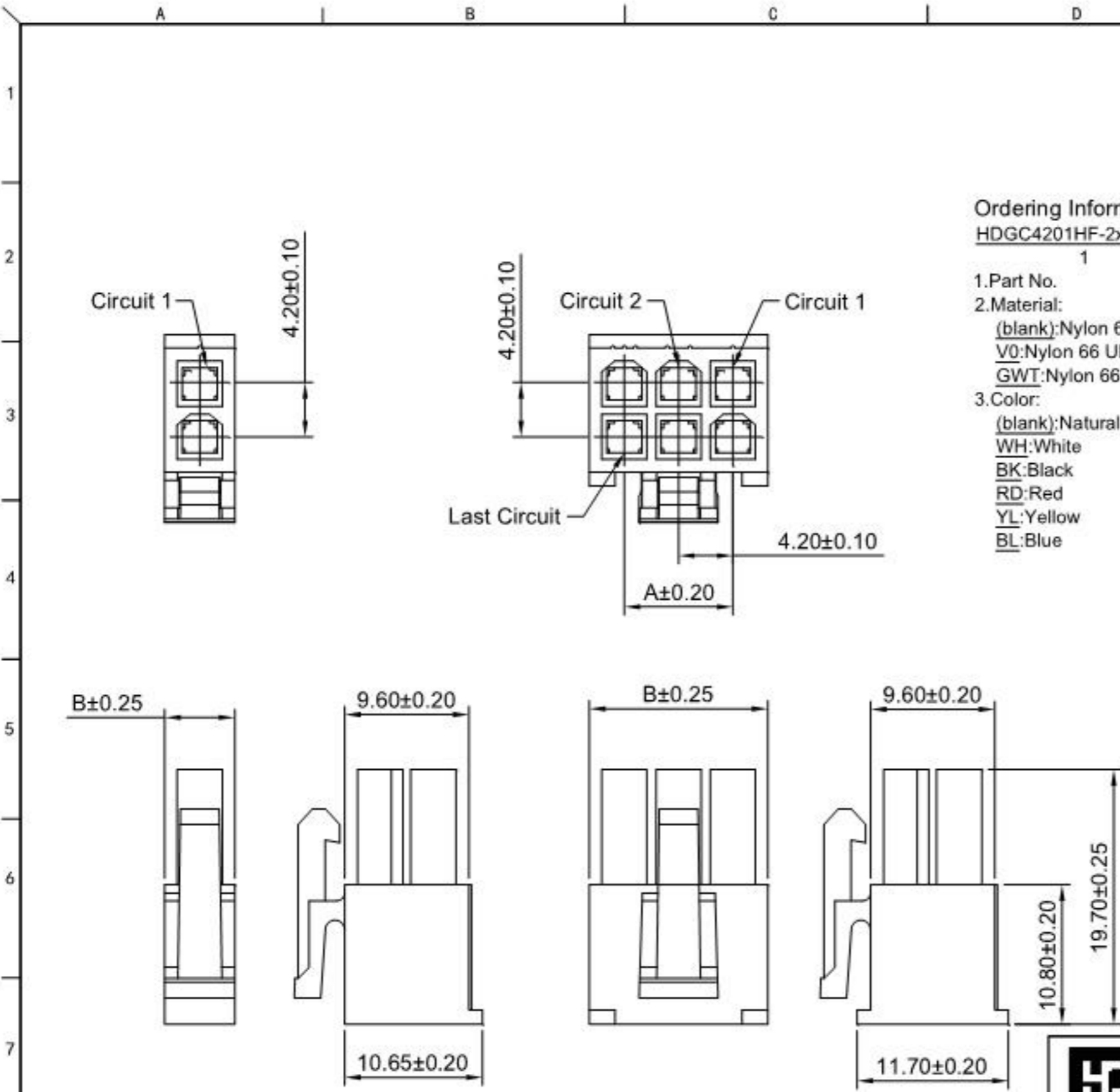


**SPECIFICATIONS:**

Current Rating: 9A AC,DC  
 Voltage Rating: 600V AC,DC  
 Temperature Range: -25°C ~ +85°C  
 Contact Resistance: 10mΩ Max  
 Insulation Resistance: 1000MΩ Min  
 Withstanding Voltage: 1500V AC/minute  
 Material: Nylon 66,UL94V-2(Natural)

**Ordering Information & Dimensions**

Circuits	Dimensions(mm)		Circuits	Dimensions(mm)	
	A	B		A	B
2x1P	---	5.70	2x7P	25.20	30.90
2x2P	4.20	9.90	2x8P	29.40	35.10
2x3P	8.40	14.10	2x9P	33.60	39.30
2x4P	12.60	18.30	2x10P	37.80	43.50
2x5P	16.80	22.50	2x11P	42.00	47.70
2x6P	21.00	26.70	2x12P	46.20	51.90



2x1P

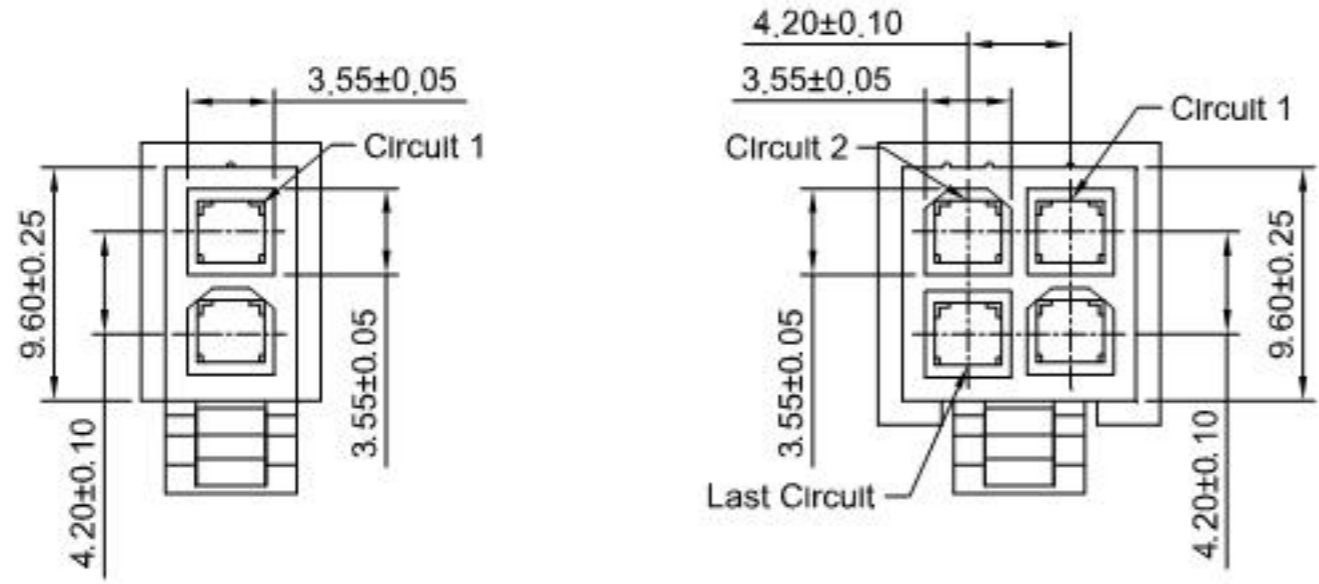
2x2P~2x12P



深圳市华德共创科技有限公司  
 SHENZHEN HUADE CO-CREATE TECHNOLOGY CO.,LTD  
 TEL: 0755-27129737 FAX: 0755-29940187

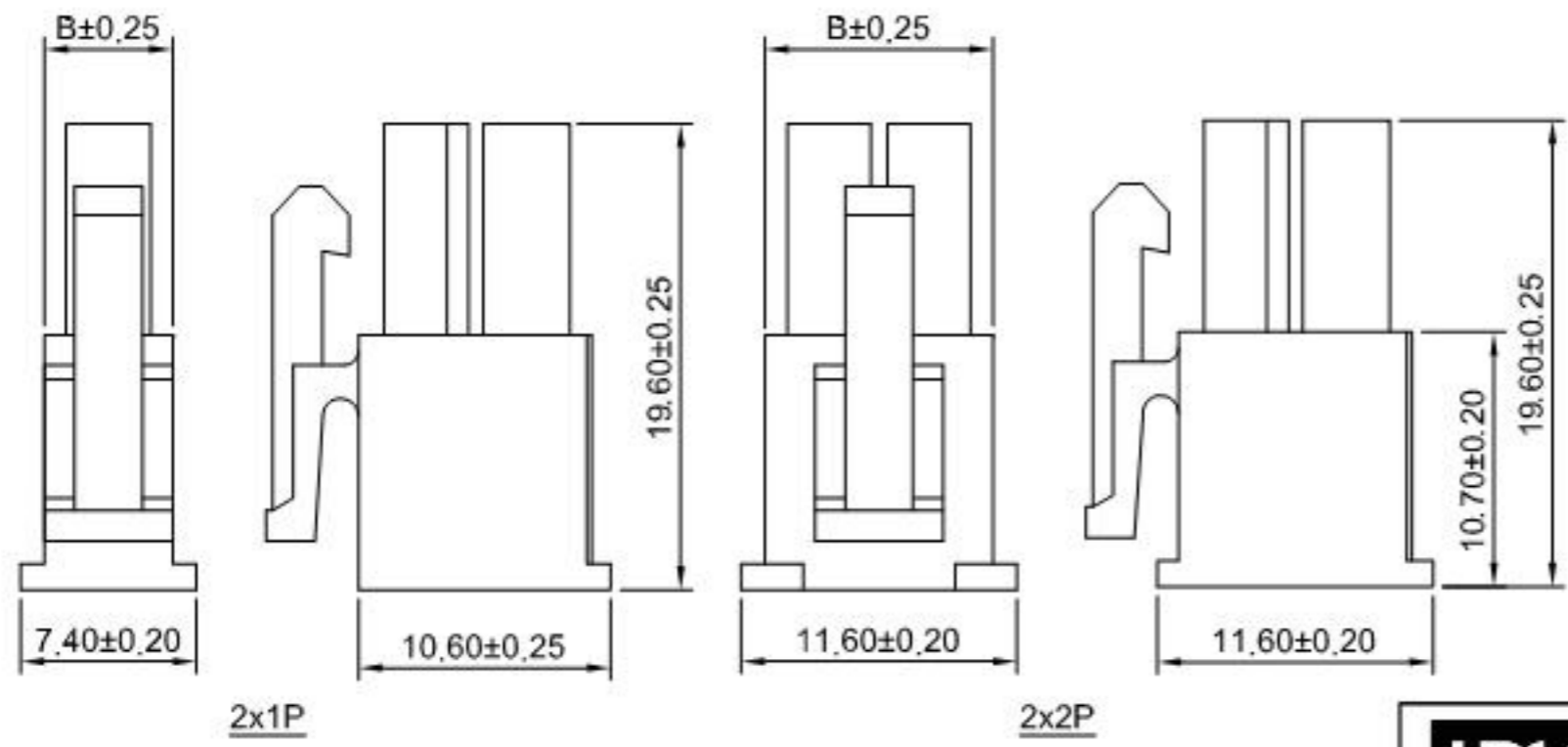
-TOLERANCES- UNLESS OTHERWISE SPECIFIED 公差参数表				TITLE: 产品名称: 4.20mm Pitch Housing	
X.X	±0.30	X.X°	±3°	APPD: 核准:	XIE
X.XX	±0.30	X.XX°	±2°	CHECK: 校对:	WANG
X.XXX	±0.10	X.XXX°	±1°	DRAW: 绘图:	WANG
PART NO: 产品编号: HDGC4201HF-2xXP		DATE	SCALE	UNIT	CODE NUMBER
		2012-12-13	2:1	mm	A008

修订 REV	标记 MARK	修改摘要 REVISION DESCRIPTION	签名 SIGNATURE	日期 DATE
A0		NEW RELEASE	WANG	2015-06-07



Ordering Information:  
**HDGC4201HFC-2xXP - ?? - ??**  
 1 2 3

1. Part No.  
 2. Material:  
 (Blank): Nylon 66, UL94V-2/Natural  
 V0: Nylon 66, UL94V-0/White  
 GWT: Nylon 66 UL94V-0, GWT 750°C  
 3. Color:  
 (Blank): Natural  
 WH: White  
 BK: Black



**SPECIFICATIONS:**  
 Current Rating: 9A AC, DC  
 Voltage Rating: 600V AC, DC  
 Temperature Range: -25°C ~ +85°C  
 Contact Resistance: 10mΩ Max  
 Insulation Resistance: 1000MΩ Min  
 Withstanding Voltage: 1500V AC/minute  
 Material: Nylon 66, UL94V-2 (Natural)

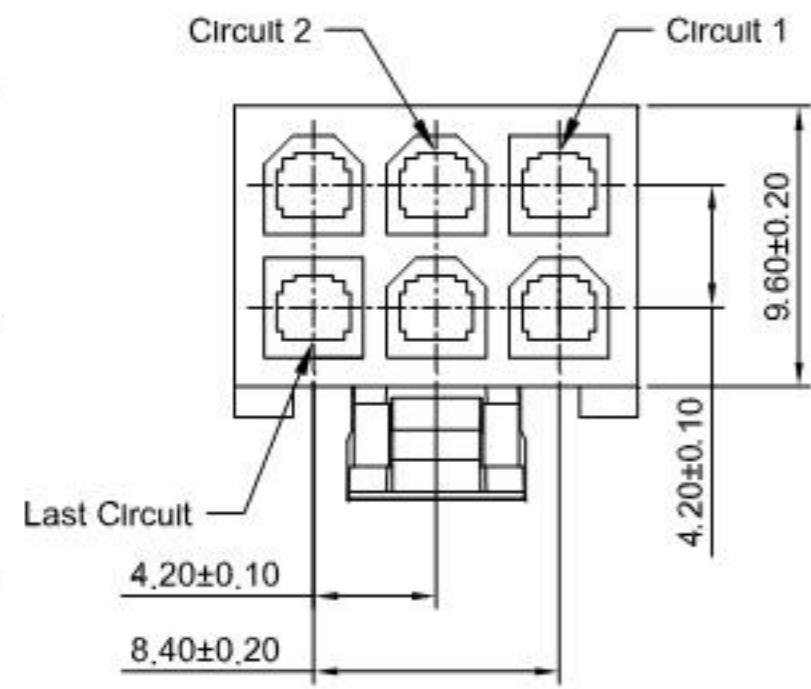
Ordering Information & Dimensions

Circuits	Dimensions(mm)		Circuits	Dimensions(mm)	
	A	B		A	B
2x1P	---	5.40	2x2P	4.20	9.60

**HDGC** 深圳市华德共创科技有限公司  
 SHENZHEN HUADE CO-CREATE TECHNOLOGY CO., LTD  
 TEL: 0755-27129737 FAX: 0755-29940187

-TOLERANCES- UNLESS OTHERWISE SPECIFIED 公差参数表				TITLE: 产品名称: 4.20mm Pitch Housing	
X.X	±0.30	X.X°	±3°	APPD: 核准:	XIE
X.XX	±0.30	X.XX°	±2°	CHECK: 校对:	WANG
X.XXX	±0.10	X.XXX°	±1°	DRAW: 绘图:	WANG
PART NO: 产品编号: HDGC4201HFC-2xXP			DATE	SCALE	UNIT
			2015-06-07	2.5:1	mm
			CODE NUMBER: A008		

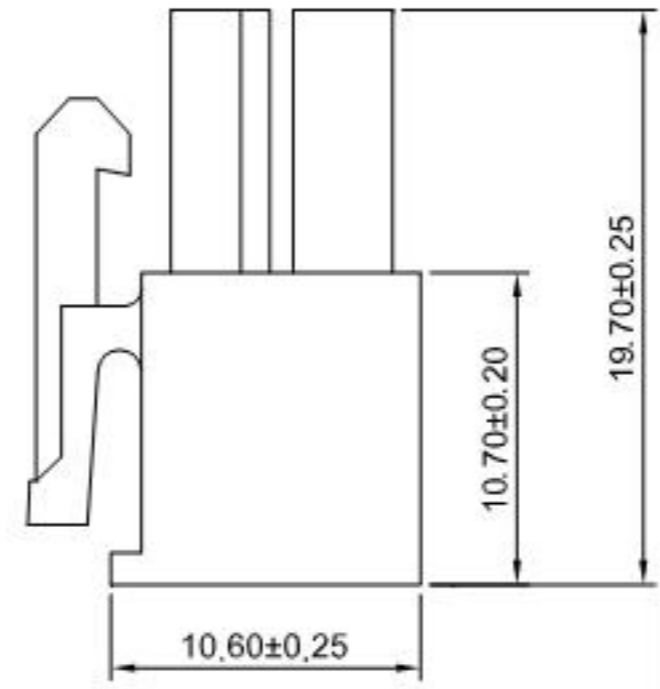
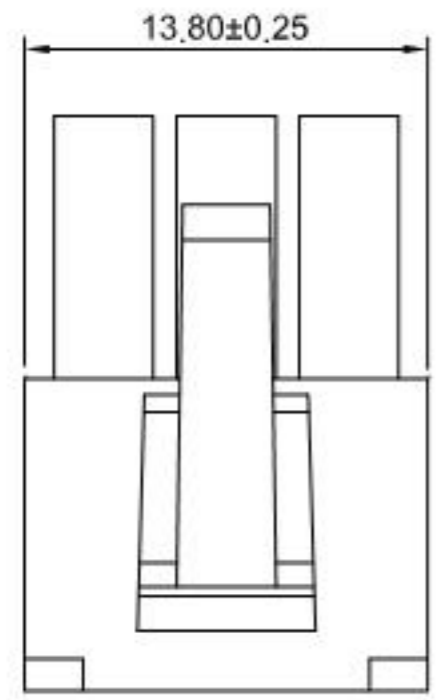
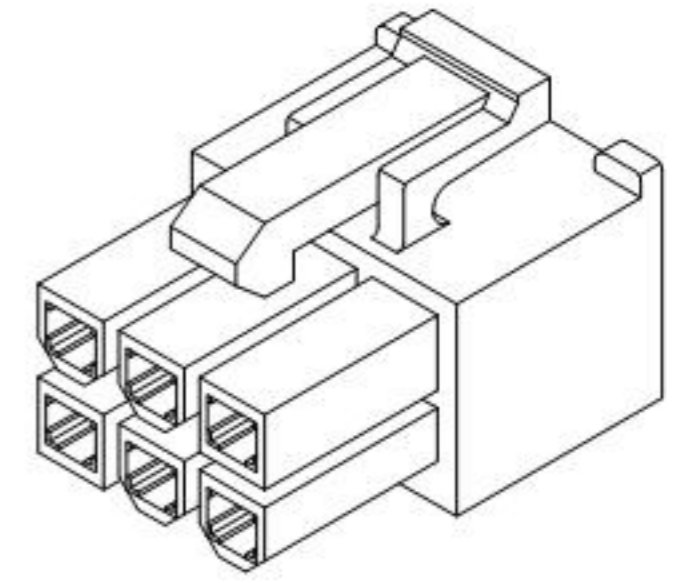
修订 REV	标记 MARK	修改摘要 REVISION DESCRIPTION	签名 SIGNATURE	日期 DATE
A0		NEW RELEASE	WANG	2012-08-28



**Ordering Information:**  
 HDGC4201HF-2x3P-A - <sup>??</sup>/<sub>2</sub> - <sup>??</sup>/<sub>3</sub>

1. Part No.  
 2. Material:  
 (blank): Nylon 66 UL94V-2  
 V0: Nylon 66 UL94V-0  
 GWT: Nylon 66 UL94V-0, GWT 750°C

3. Color:  
 (blank): Natural  
 WH: White  
 BK: Black  
 RD: Red  
 YL: Yellow  
 BL: Blue

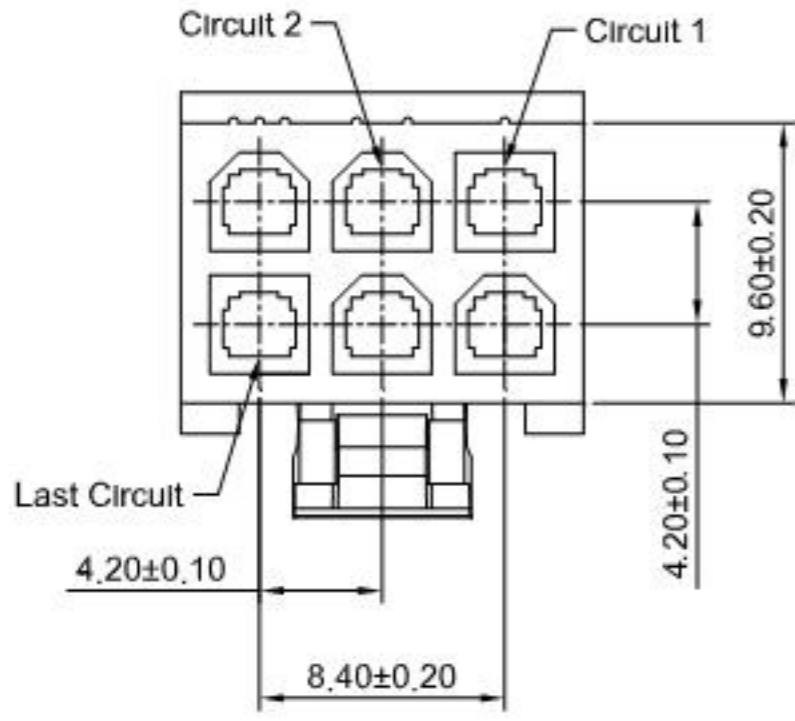


**SPECIFICATIONS:**  
 Current Rating: 9A AC,DC  
 Voltage Rating: 600V AC,DC  
 Temperature Range: -25°C ~ +85°C  
 Contact Resistance: 10mΩ Max  
 Insulation Resistance: 1000MΩ Min  
 Withstanding Voltage: 1500V AC/minute  
 Material: Nylon 66, UL94V-2(Black)

**HDGC** 深圳市华德共创科技有限公司  
 SHENZHEN HUADE CO-CREATE TECHNOLOGY CO., LTD  
 TEL: 0755-27129737 FAX: 0755-29940187

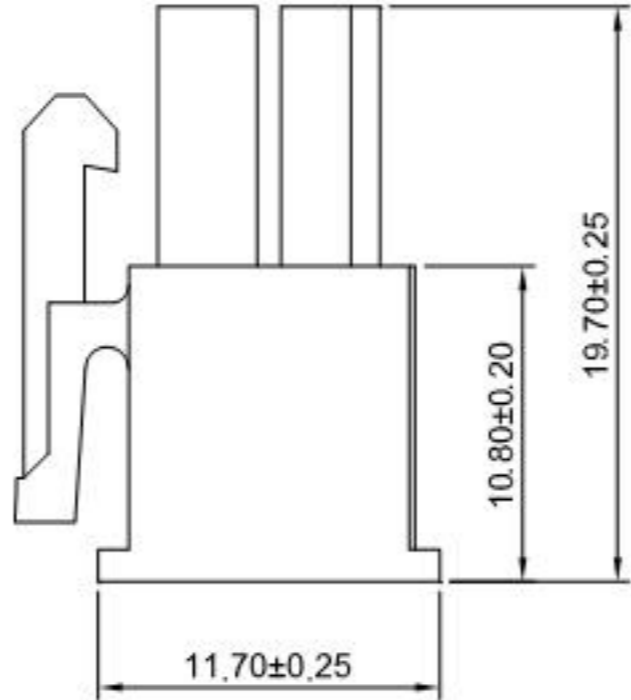
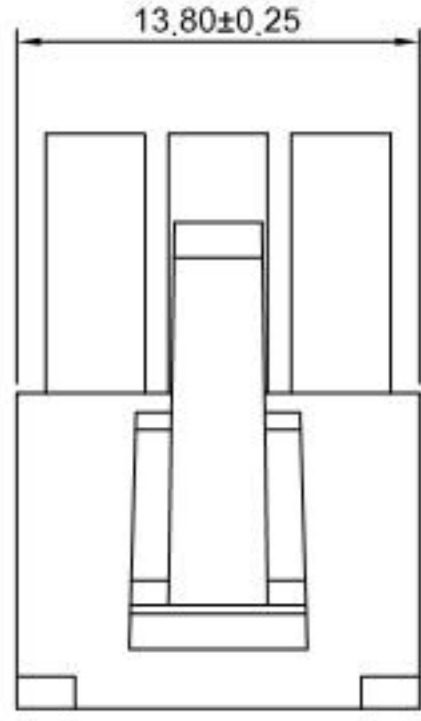
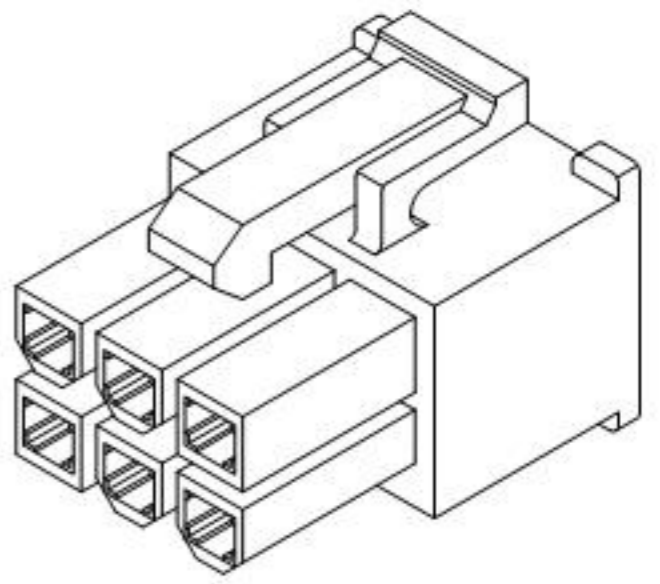
-TOLERANCES- UNLESS OTHERWISE SPECIFIED 公差参数表						TITLE: 4.20mm Pitch Housing 产品名称: Housing			
X.X	±0.30	X.X°	±3°	APPD: 核准:	XIE	PART NO: 产品编号: HDGC4201HF-2x3P-A			
X.XX	±0.30	X.XX°	±2°	CHECK: 校对:	WANG	DATE	SCALE	UNIT	CODE NUMBER
X.XXX	±0.10	X.XXX°	±1°	DRAW: 绘图:	WANG	2012-08-28	3:1	mm	A008

修订 REV	标记 MARK	修改摘要 REVISION DESCRIPTION	签名 SIGNATURE	日期 DATE
A0		NEW RELEASE	WANG	2012-11-24



Ordering Information:  
 HDGC4201HF-2x3P-B -  $\frac{??}{2}$  -  $\frac{??}{3}$   
 1 2 3

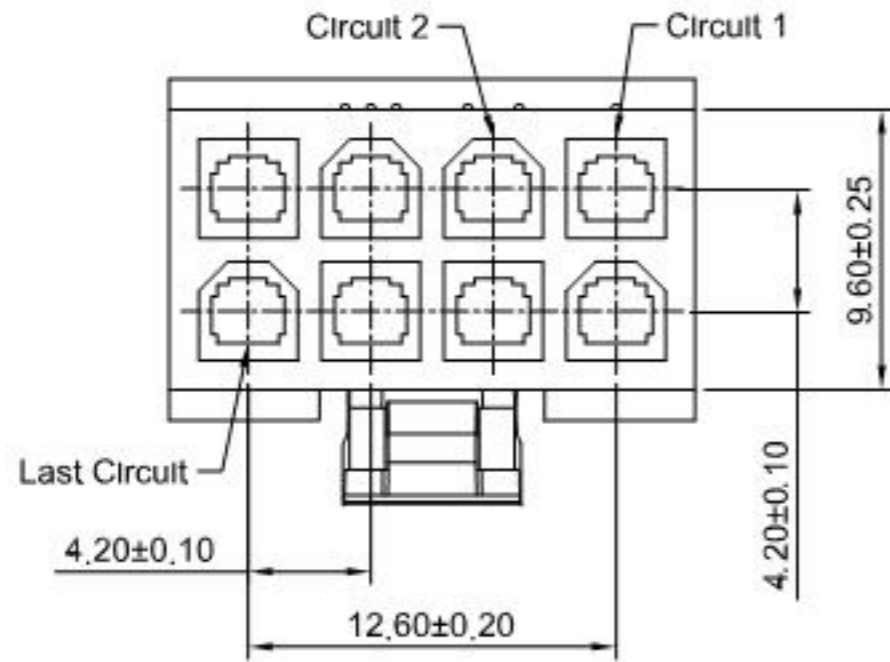
- Part No.
- Material:  
 (blank): Nylon 66 UL94V-2  
 V0: Nylon 66 UL94V-0  
 GWT: Nylon 66 UL94V-0, GWT 750°C
- Color:  
 (blank): Natural  
 WH: White  
 BK: Black  
 RD: Red  
 YL: Yellow  
 BL: Blue



**SPECIFICATIONS:**  
 Current Rating: 9A AC,DC  
 Voltage Rating: 600V AC,DC  
 Temperature Range: -25°C ~ +85°C  
 Contact Resistance: 10mΩ Max  
 Insulation Resistance: 1000MΩ Min  
 Withstanding Voltage: 1500V AC/minute  
 Material: Nylon 66, UL94V-2(Black)

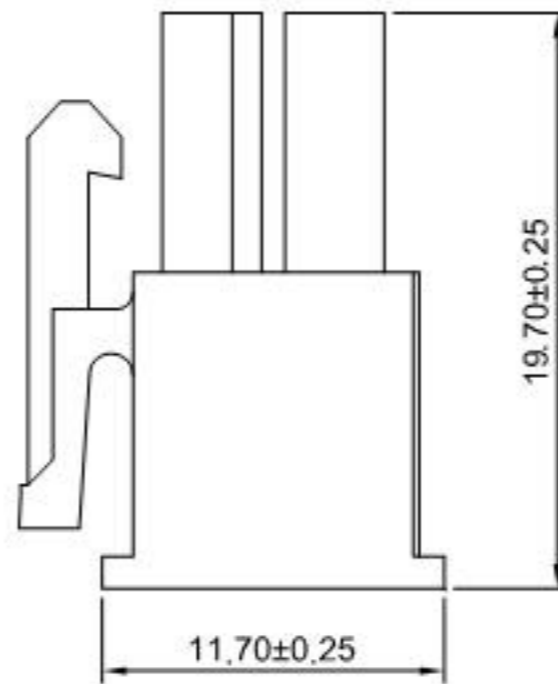
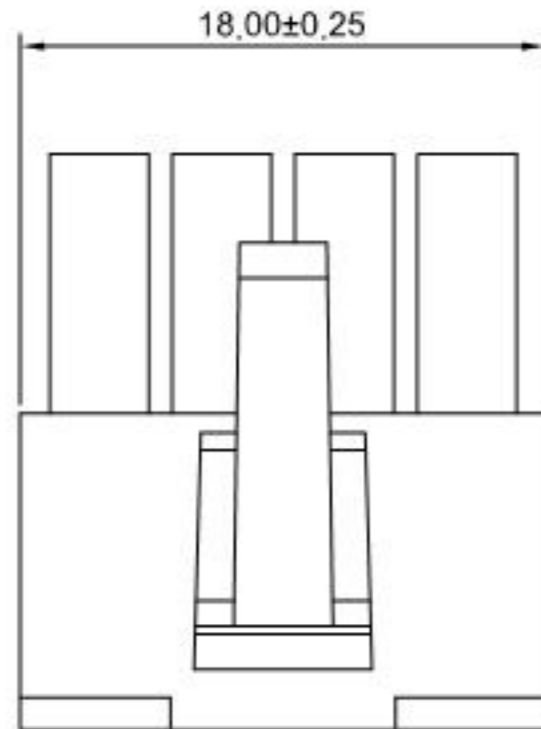
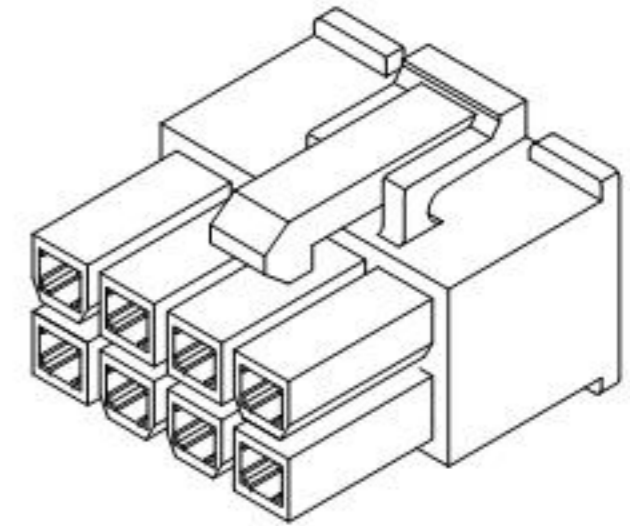
		深圳市华德共创科技有限公司			
		SHENZHEN HUADE CO-CREATE TECHNOLOGY CO., LTD			
		TEL: 0755-27129737		FAX: 0755-29940187	
-TOLERANCES- UNLESS OTHERWISE SPECIFIED 公差参数表				TITLE: 4.20mm Pitch Housing	
X.X	±0.30	X.X°	±3°	PART NO: HDGC4201HF-2x3P-B	
X.XX	±0.30	X.XX°	±2°	DATE	SCALE
X.XXX	±0.10	X.XXX°	±1°	2012-11-24	3:1
		DRAW: WANG		UNIT	CODE NUMBER
				mm	A008

修订 REV	标记 MARK	修改摘要 REVISION DESCRIPTION	签名 SIGNATURE	日期 DATE
A0		NEW RELEASE	WANG	2012-08-28



Ordering Information:  
 HDGC4201HF-2x4P-A - \*\* - \*\*  
 1 2 3

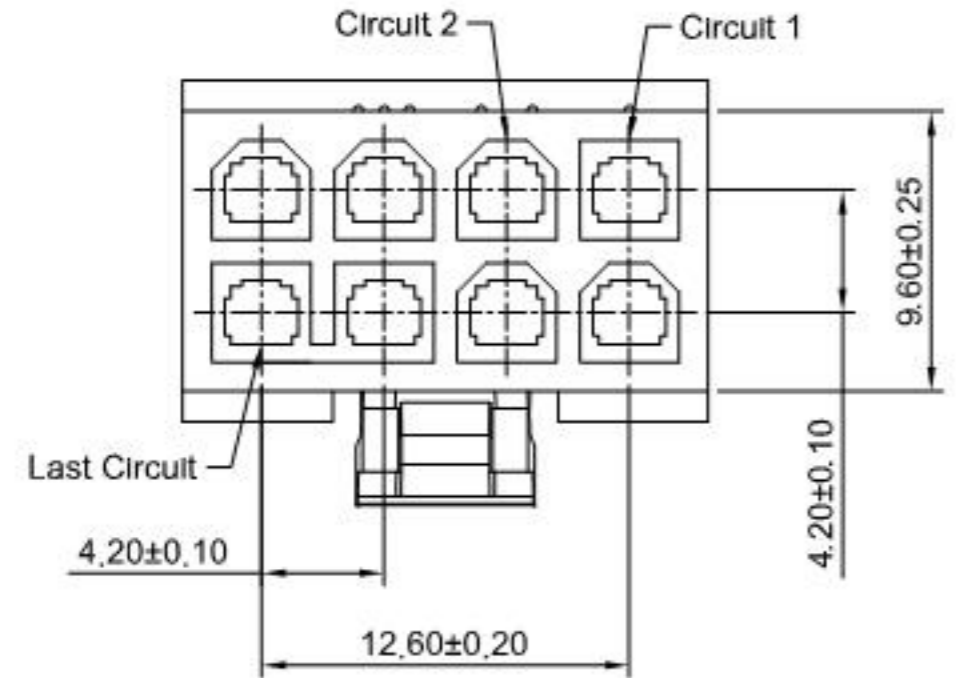
- Part No.
- Material:  
 (blank): Nylon 66 UL94V-2  
 V0: Nylon 66 UL94V-0  
 GWT: Nylon 66 UL94V-0, GWT 750°C
- Color:  
 (blank): Natural  
 WH: White  
 BK: Black  
 RD: Red  
 YL: Yellow  
 BL: Blue



**SPECIFICATIONS:**  
 Current Rating: 9A AC,DC  
 Voltage Rating: 600V AC,DC  
 Temperature Range: -25°C ~ +85°C  
 Contact Resistance: 10mΩ Max  
 Insulation Resistance: 1000MΩ Min  
 Withstanding Voltage: 1500V AC/minute  
 Material: Nylon 66, UL94V-2(Black)

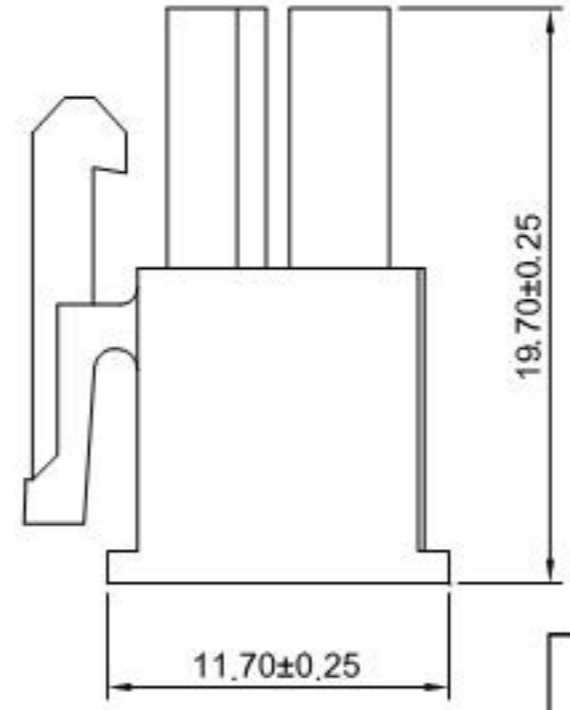
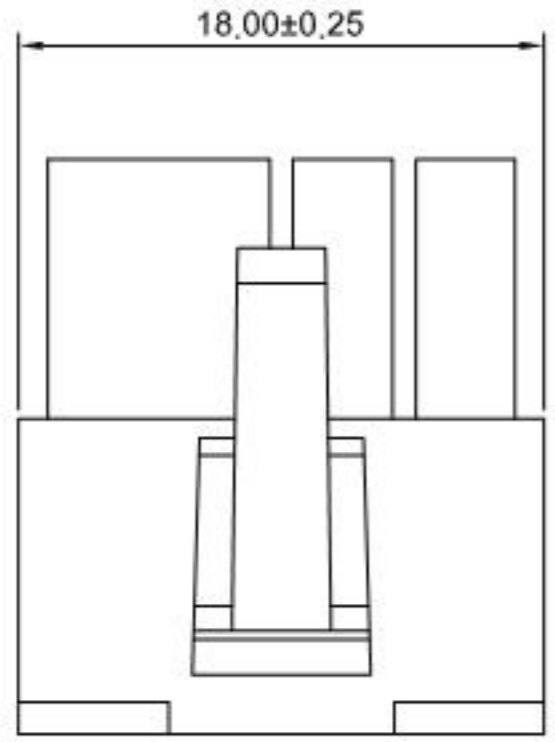
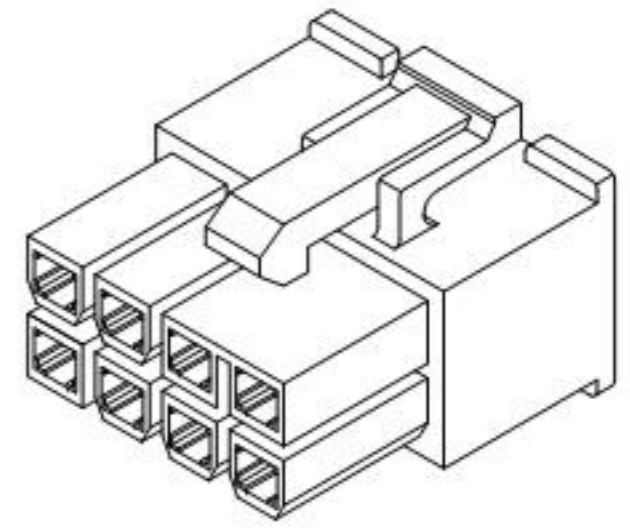
<b>HDGC</b>		深圳市华德共创科技有限公司 SHENZHEN HUADE CO-CREATE TECHNOLOGY CO., LTD						
		TEL: 0755-27129737		FAX: 0755-29940187				
-TOLERANCES- UNLESS OTHERWISE SPECIFIED 公差参数表				TITLE: 4.20mm Pitch Housing 产品名称: Housing				
X.X	±0.30	X.X°	±3°	APPD: 核准: XIE	PART NO: 产品编号: HDGC4201HF-2x4P-A			
X.XX	±0.30	X.XX°	±2°	CHECK: 校对: WANG	DATE	SCALE	UNIT	CODE NUMBER
X.XXX	±0.10	X.XXX°	±1°	DRAW: 绘图: WANG	2012-08-28	3:1	mm	A008

修订 REV	标记 MARK	修改摘要 REVISION DESCRIPTION	签名 SIGNATURE	日期 DATE
A0		NEW RELEASE	WANG	2012-08-28



Ordering Information:  
 HDGC4201HF-2x4P-B - <sup>1</sup> - <sup>2</sup> - <sup>3</sup>

- 1. Part No.
- 2. Material:  
 (blank): Nylon 66 UL94V-2  
 V0: Nylon 66 UL94V-0  
 GWT: Nylon 66 UL94V-0, GWT 750°C
- 3. Color:  
 (blank): Natural  
 WH: White  
 BK: Black  
 RD: Red  
 YL: Yellow  
 BL: Blue

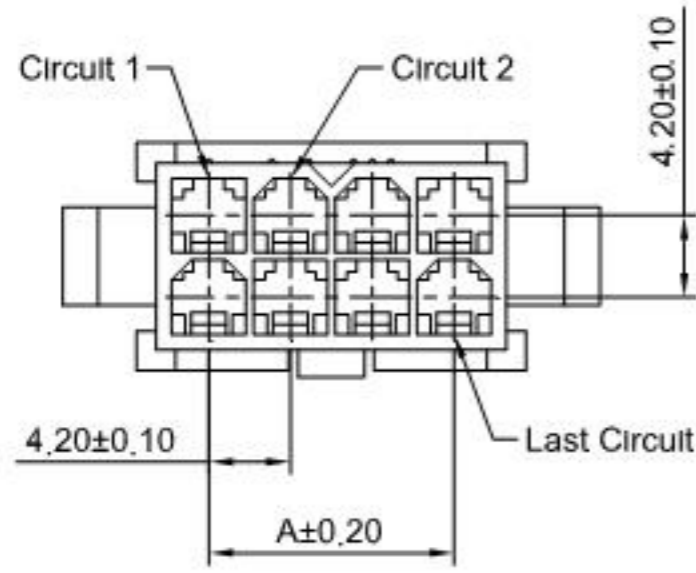


**SPECIFICATIONS:**  
 Current Rating: 9A AC,DC  
 Voltage Rating: 600V AC,DC  
 Temperature Range: -25°C ~ +85°C  
 Contact Resistance: 10mΩ Max  
 Insulation Resistance: 1000MΩ Min  
 Withstanding Voltage: 1500V AC/minute  
 Material: Nylon 66, UL94V-2(Black)

**深圳市华德共创科技有限公司**  
 SHENZHEN HUADE CO-CREATE TECHNOLOGY CO., LTD  
 TEL: 0755-27129737 FAX: 0755-29940187

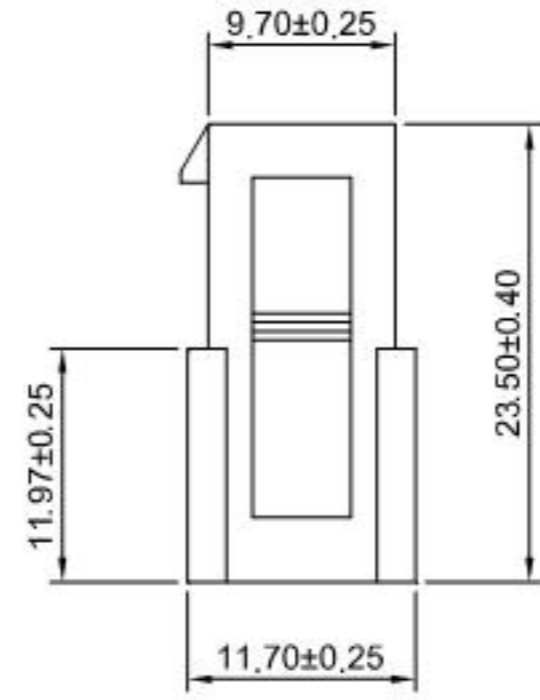
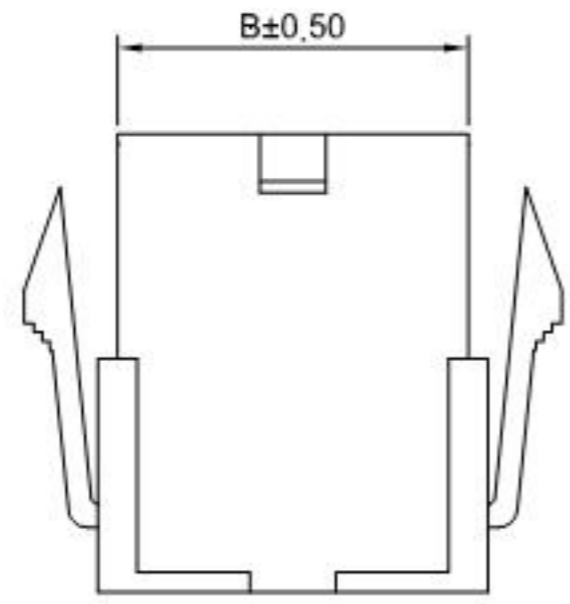
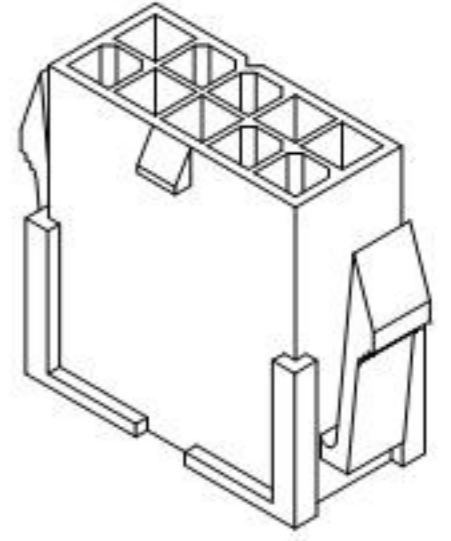
-TOLERANCES- UNLESS OTHERWISE SPECIFIED 公差参数表			TITLE: 4.20mm Pitch Housing 产品名称: Housing	
X.X	±0.30	X.X°	±3°	APPD: 核准: XIE
X.XX	±0.30	X.XX°	±2°	CHECK: 校对: WANG
X.XXX	±0.10	X.XXX°	±1°	DRAW: 绘图: WANG
		DATE	SCALE	UNIT
		2012-08-28	3:1	mm
		PART NO: 产品编号:	CODE NUMBER	
		HDGC4201HF-2x4P-B		A008

修订 REV	标记 MARK	修改摘要 REVISION DESCRIPTION	签名 SIGNATURE	日期 DATE
A0		NEW RELEASE	WANG	2012-08-28



Ordering Information:  
 HDGC4201HM-2xXP -  $\frac{??}{2}$  -  $\frac{??}{3}$

- Part No.
- Material:  
 (blank): Nylon 66 UL94V-2  
 V0: Nylon 66 UL94V-0  
 GWT: Nylon 66 UL94V-0, GWT 750°C
- Color:  
 (blank): Natural  
 WH: White  
 BK: Black  
 RD: Red  
 YL: Yellow  
 BL: Blue



**SPECIFICATIONS:**

Current Rating: 9A AC,DC  
 Voltage Rating: 600V AC,DC  
 Temperature Range: -25°C ~ +85°C  
 Contact Resistance: 10mΩ Max  
 Insulation Resistance: 1000MΩ Min  
 Withstanding Voltage: 1500V AC/minute  
 Material: Nylon 66, UL94V-2(Natural)

**Ordering Information & Dimensions**

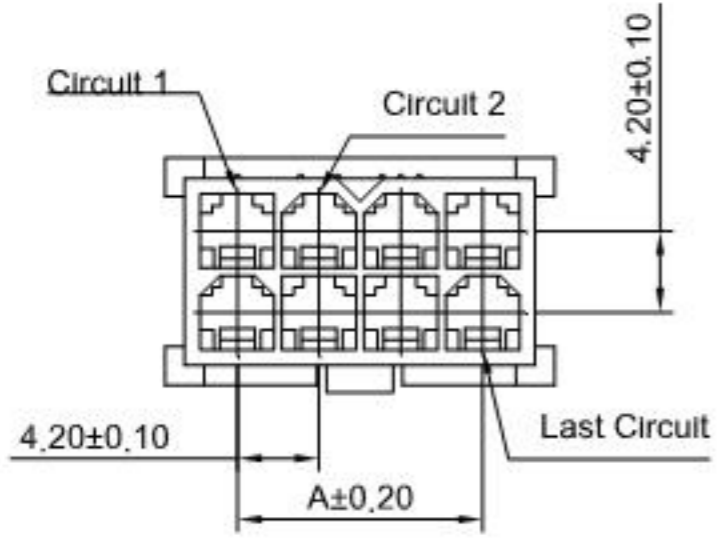
Circuits	Dimensions(mm)		Circuits	Dimensions(mm)	
	A	B		A	B
2x1P	—	5.40	2x7P	25.20	30.60
2x2P	4.20	9.60	2x8P	29.40	34.80
2x3P	8.40	13.80	2x9P	33.60	39.00
2x4P	12.60	18.00	2x10P	37.80	43.20
2x5P	16.80	22.20	2x11P	42.00	47.40
2x6P	21.00	26.40	2x12P	46.20	51.60



深圳市华德共创科技有限公司  
 SHENZHEN HUADE CO-CREATE TECHNOLOGY CO., LTD  
 TEL: 0755-27129737 FAX: 0755-29940187

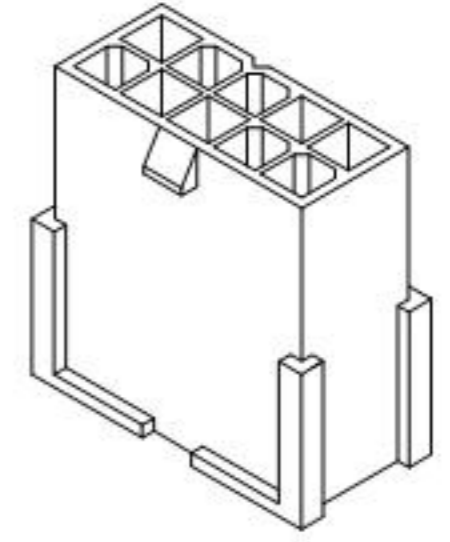
-TOLERANCES- UNLESS OTHERWISE SPECIFIED 公差参数表						TITLE: 4.20mm Pitch Housing 产品名称: Housing			
X.X	±0.30	X.X°	±3°	APPD: 核准:	X1E	PART NO: 产品编号: HDGC4201HM-2xXP			
X.XX	±0.30	X.XX°	±2°	CHECK: 校对:	WANG	DATE	SCALE	UNIT	CODE NUMBER
X.XXX	±0.10	X.XXX°	±1°	DRAW: 绘图:	WANG	2012-08-28	2:1	mm	A008

修订 REV	标记 MARK	修改摘要 REVISION DESCRIPTION	签名 SIGNATURE	日期 DATE
A0		NEW RELEASE	WANG	2012-08-28



Ordering Information:  
 HDGC4201HM-2xXP-A -  $\frac{**}{2}$  -  $\frac{**}{3}$

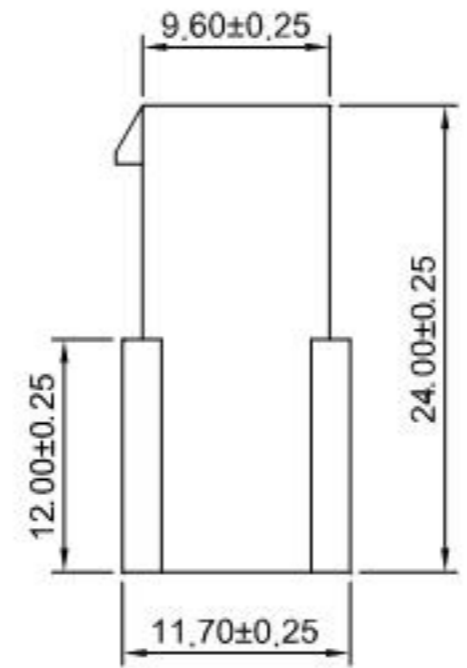
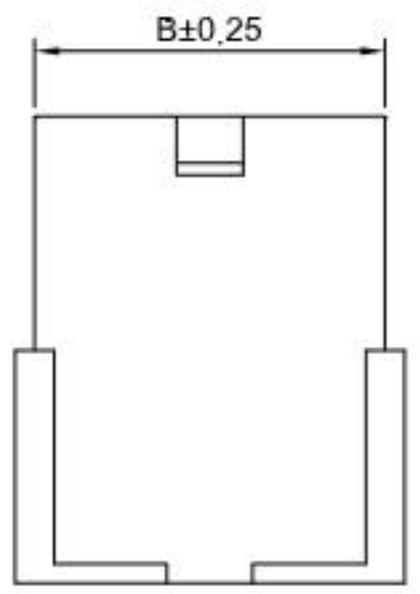
- Part No.
- Material:  
 (blank): Nylon 66 UL94V-2  
 V0: Nylon 66 UL94V-0  
 GWT: Nylon 66 UL94V-0, GWT 750°C
- Color:  
 (blank): Natural  
 WH: White  
 BK: Black  
 RD: Red  
 YL: Yellow  
 BL: Blue



**SPECIFICATIONS:**  
 Current Rating: 9A AC,DC  
 Voltage Rating: 600V AC,DC  
 Temperature Range: -25°C ~ +85°C  
 Contact Resistance: 10mΩ Max  
 Insulation Resistance: 1000MΩ Min  
 Withstanding Voltage: 1500V AC/minute  
 Material: Nylon 66, UL94V-2 (Natural)

Ordering Information & Dimensions

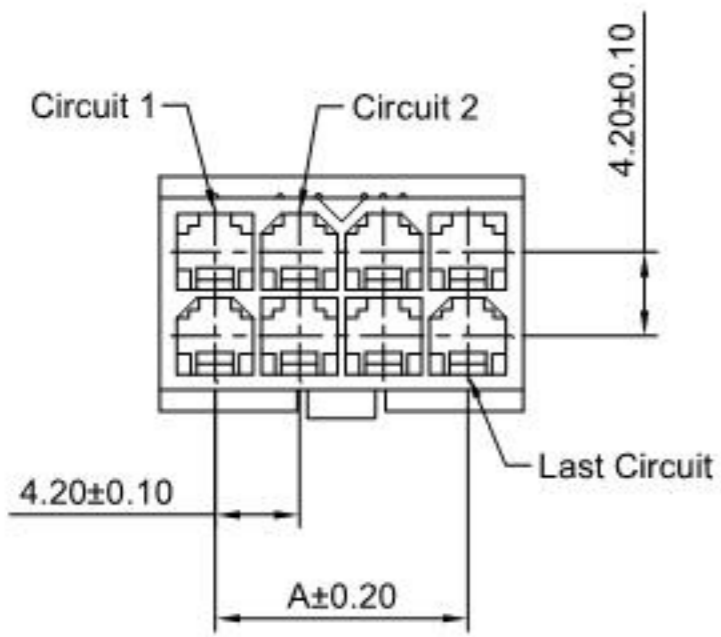
Circuits	Dimensions(mm)		Circuits	Dimensions(mm)	
	A	B		A	B
2x1P	---	5.40	2x7P	25.20	30.60
2x2P	4.20	9.60	2x8P	29.40	34.80
2x3P	8.40	13.80	2x9P	33.60	39.00
2x4P	12.60	18.00	2x10P	37.80	43.20
2x5P	16.80	22.20	2x11P	42.00	47.40
2x6P	21.00	26.40	2x12P	46.20	51.60



深圳市华德共创科技有限公司  
 SHENZHEN HUADE CO-CREATE TECHNOLOGY CO., LTD  
 TEL: 0755-27129737 FAX: 0755-29940187

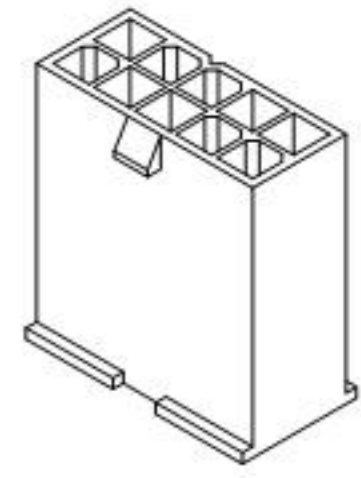
-TOLERANCES- UNLESS OTHERWISE SPECIFIED 公差参数表						TITLE: 4.20mm Pitch Housing 产品名称: Housing			
X.X	±0.30	X.X°	±3°	APPD: 核准:	XIE	PART NO: 产品编号: HDGC4201HM-2xXP-A			
X.XX	±0.30	X.XX°	±2°	CHECK: 校对:	WANG	DATE	SCALE	UNIT	CODE NUMBER
X.XXX	±0.10	X.XXX°	±1°	DRAW: 绘图:	WANG	2012-08-28	2:1	mm	A008

修订 REV	标记 MARK	修改摘要 REVISION DESCRIPTION	签名 SIGNATURE	日期 DATE
A0		NEW RELEASE	WANG	2012-08-28



**Ordering Information:**  
 HDGC4201HMA-2xXP -  $\frac{**}{2}$  -  $\frac{**}{3}$

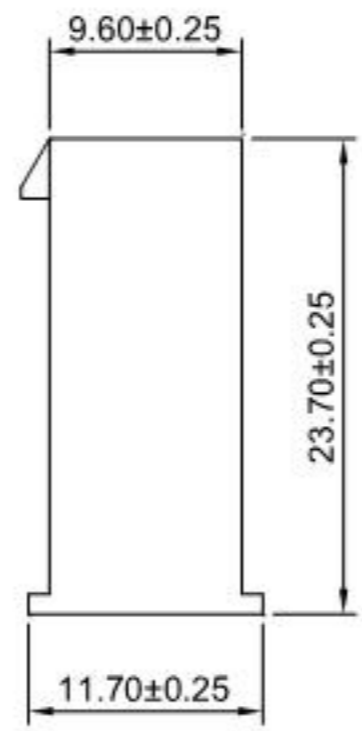
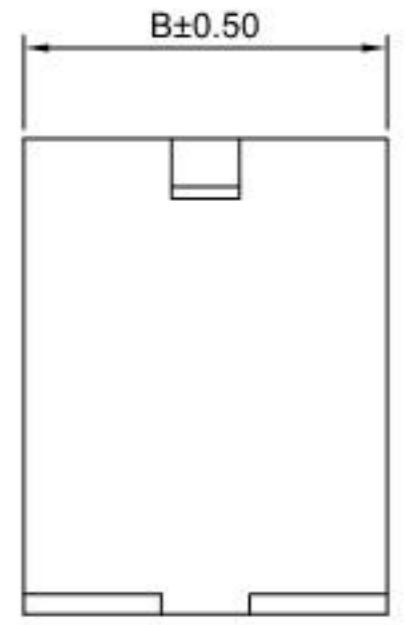
1.Part No.  
 2.Material:  
 (blank):Nylon 66 UL94V-2  
 V0:Nylon 66 UL94V-0  
 GWT:Nylon 66 UL94V-0,GWT 750°C  
 3.Color:  
 (blank):Natural  
 WH:White  
 BK:Black  
 RD:Red  
 YL:Yellow  
 BL:Blue



**SPECIFICATIONS:**  
 Current Rating: 9A AC,DC  
 Voltage Rating: 600V AC,DC  
 Temperature Range: -25°C ~ +85°C  
 Contact Resistance: 10mΩ Max  
 Insulation Resistance: 1000MΩ Min  
 Withstanding Voltage: 1500V AC/minute  
 Material: Nylon 66,UL94V-2(Natural)

**Ordering Information & Dimensions**

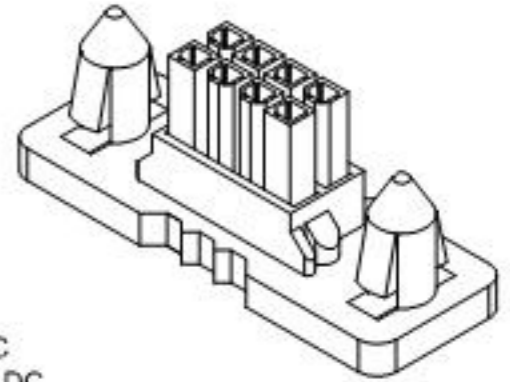
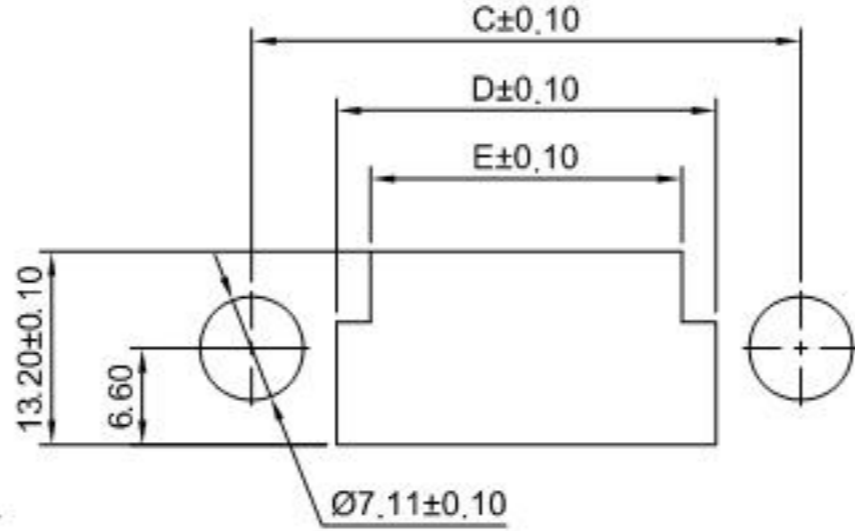
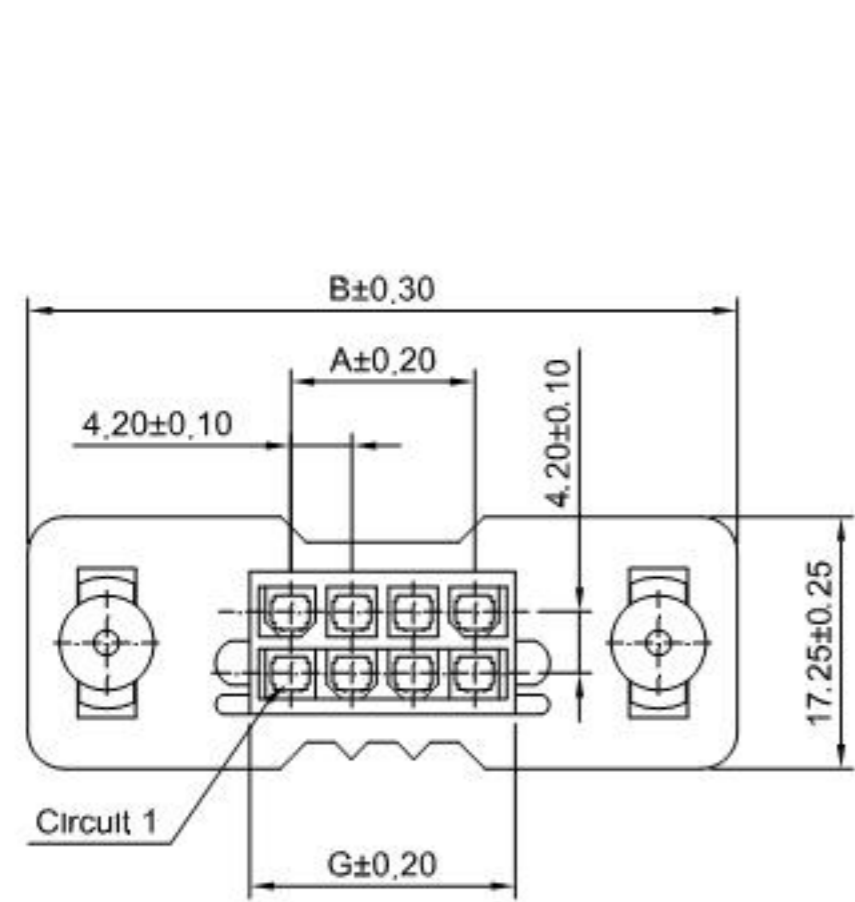
Circuits	Dimensions(mm)		Circuits	Dimensions(mm)	
	A	B		A	B
2x1P	---	5.60	2x7P	25.20	30.80
2x2P	4.20	9.80	2x8P	29.40	35.00
2x3P	8.40	14.00	2x9P	33.60	39.20
2x4P	12.60	18.20	2x10P	37.80	43.40
2x5P	16.80	22.40	2x11P	42.00	47.60
2x6P	21.00	26.60	2x12P	46.20	51.80



**HDGC** 深圳市华德共创科技有限公司  
 SHENZHEN HUADE CO-CREATE TECHNOLOGY CO.,LTD  
 TEL: 0755-27129737 FAX: 0755-29940187

-TOLERANCES- UNLESS OTHERWISE SPECIFIED 公差参数表				TITLE: 产品名称: 4.20mm Pitch Housing	
X.X	±0.30	X.X°	±3°	APPD: 核准:	XIE
X.XX	±0.30	X.XX°	±2°	CHECK: 校对:	WANG
X.XXX	±0.10	X.XXX°	±1°	DRAW: 绘图:	WANG
PART NO: 产品编号:		DATE		SCALE	UNIT
HDGC4201HMA-2xXP		2012-08-28		2:1	mm
CODE NUMBER				A008	

修订 REV	标记 MARK	修改摘要 REVISION DESCRIPTION	签名 SIGNATURE	日期 DATE
A0		NEW RELEASE	WANG	2012-08-28



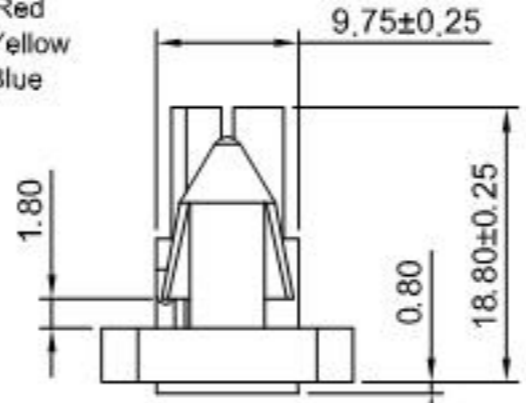
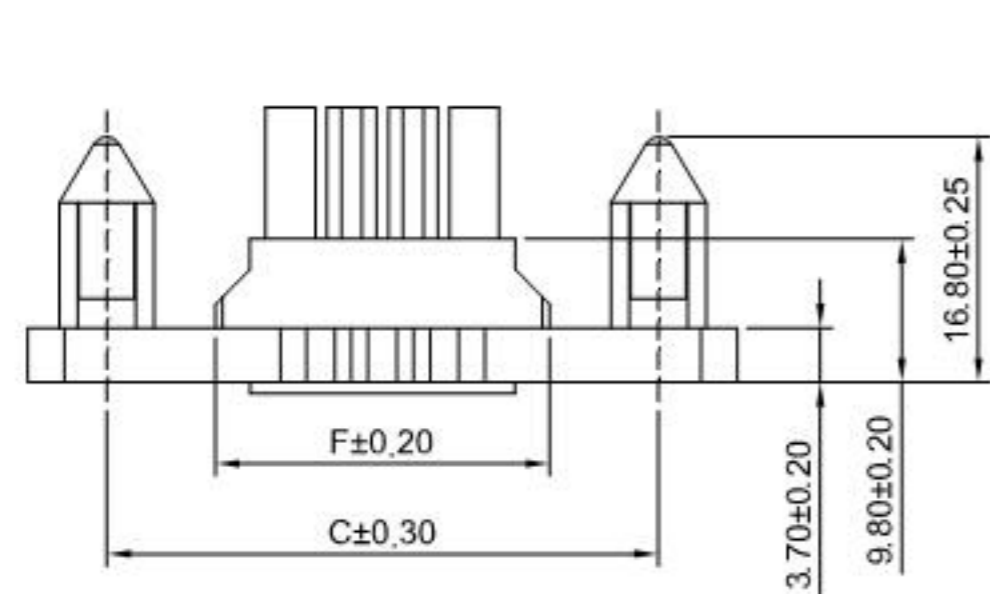
**SPECIFICATIONS:**  
 Current Rating: 9A AC,DC  
 Voltage Rating: 600V AC,DC  
 Temperature Range: -25°C ~ +85°C  
 Contact Resistance: 10mΩ Max  
 Insulation Resistance: 1000MΩ Min  
 Withstanding Voltage: 1500V AC/minute  
 Material: Nylon 66,UL94V-2 (Natural)

**Ordering Information:**  
 HDGC4201HFA-2xXP -  $\frac{xx}{2}$  -  $\frac{xx}{3}$

- 1.Part No.  
 2.Material:  
 (blank):Nylon 66 UL94V-2  
 V0:Nylon 66 UL94V-0  
 GWT:Nylon 66 UL94V-0,GWT 750°C  
 3.Color:  
 (blank):Natural  
 WH:White  
 BK:Black  
 RD:Red  
 YL:Yellow  
 BL:Blue

Ordering Information & Dimensions

Circuits	Dimensions(mm)						
	A	B	C	D	E	F	G
2x1P	N/A	36.00	25.00	13.40	8.70	10.10	5.40
2x2P	4.20	40.20	29.20	17.60	12.90	14.30	9.60
2x3P	8.40	44.40	33.40	21.80	17.10	18.50	13.80
2x4P	12.60	48.60	37.60	26.00	21.30	22.70	18.00
2x5P	16.80	52.80	41.80	30.20	25.50	26.90	22.20
2x6P	21.00	57.00	46.00	34.40	29.70	31.10	26.40
2x7P	25.20	61.20	50.20	38.60	33.90	35.30	30.60
2x8P	29.40	65.40	54.40	42.80	38.10	39.50	34.80
2x9P	33.60	69.60	58.60	47.00	42.30	43.70	39.00
2x10P	37.80	73.80	62.80	51.20	46.50	47.90	43.20
2x11P	42.00	78.00	67.00	55.40	50.70	52.10	47.40
2x12P	46.20	82.20	71.20	59.60	54.90	56.30	51.60
2x18P	71.40	107.40	96.40	81.50	76.78	81.50	76.80





**深圳市华德共创科技有限公司**  
 SHENZHEN HUADE CO-CREATE TECHNOLOGY CO., LTD  
 TEL: 0755-27129737 FAX: 0755-29940187

-TOLERANCES- UNLESS OTHERWISE SPECIFIED 公差参数表		 	TITLE: 4.20mm Pitch Housing 产品名称: Housing					
X.X	$\pm 0.30$	X.X°	$\pm 3^\circ$	APPD: 核准: XIE	PART NO: HDGC4201HFA-2xXP 产品编号:			
X.XX	$\pm 0.30$	X.XX°	$\pm 2^\circ$	CHECK: 校对: WANG	DATE	SCALE	UNIT	CODE NUMBER
X.XXX	$\pm 0.10$	X.XXX°	$\pm 1^\circ$	DRAW: 绘图: WANG	2012-08-28	1.5:1	mm	A008

修订 REV	标记 MARK	修改摘要 REVISION DESCRIPTION	签名 SIGNATURE	日期 DATE
A0		NEW RELEASE	WANG	2012-11-25

**Ordering Information:**

HDGC4201HMB-2xXP -  $\frac{***}{2}$  -  $\frac{**}{3}$

1, Part No.

2, Material:

(blank): Nylon 66 UL94V-2

V0: Nylon 66 UL94V-0

GWT: Nylon 66 UL94V-0, GWT 750°C

3, Color:

(blank): Natural

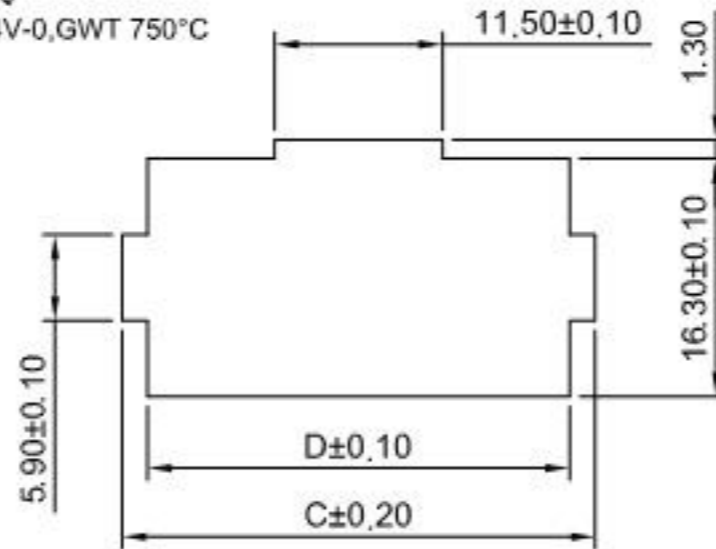
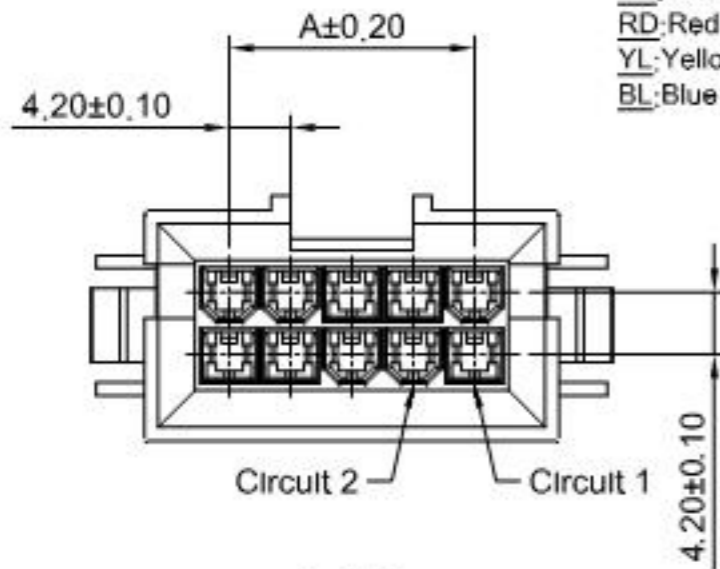
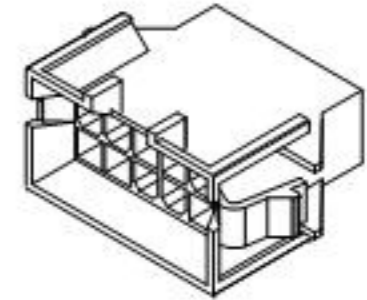
WH: White

BK: Black

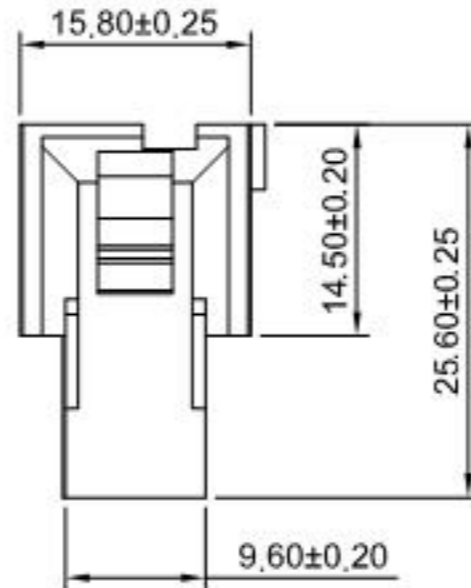
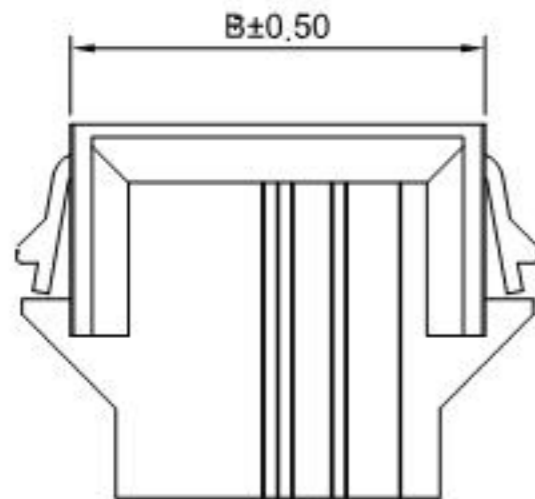
RD: Red

YL: Yellow

BL: Blue



RECOMMENDED PCB CUTOUT  
PANET THICKNESS 1.60



**SPECIFICATIONS:**

Current Rating: 9A AC,DC

Voltage Rating: 600V AC,DC

Temperature Range: -25°C ~ +85°C

Contact Resistance: 10mΩ Max

Insulation Resistance: 1000MΩ Min

Withstanding Voltage: 1500V AC/minute

Material: Nylon 66, UL94V-2(Natural)

**Ordering Information & Dimensions**

Circuits	Dimensions(mm)			
	A	B	C	D
2x2P	4.20	15.80	19.80	16.30
2x3P	8.40	20.00	24.00	20.50
2x4P	12.60	24.20	28.20	24.70
2x5P	16.80	28.40	32.40	28.90
2x6P	21.00	32.60	36.60	33.10
2x7P	25.20	36.80	40.80	37.30
2x8P	29.40	41.00	45.00	41.50
2x9P	33.60	45.20	49.20	45.70
2x10P	37.80	49.40	53.40	49.90
2x11P	42.00	53.60	57.60	54.10
2x12P	46.20	57.80	61.80	58.30
2x18P	71.40	83.00	87.00	83.50



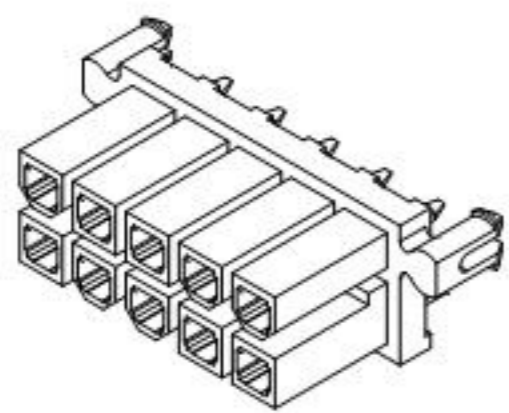
深圳市华德共创科技有限公司

SHENZHEN HUADE CO-CREATE TECHNOLOGY CO., LTD

TEL: 0755-27129737 FAX: 0755-29940187

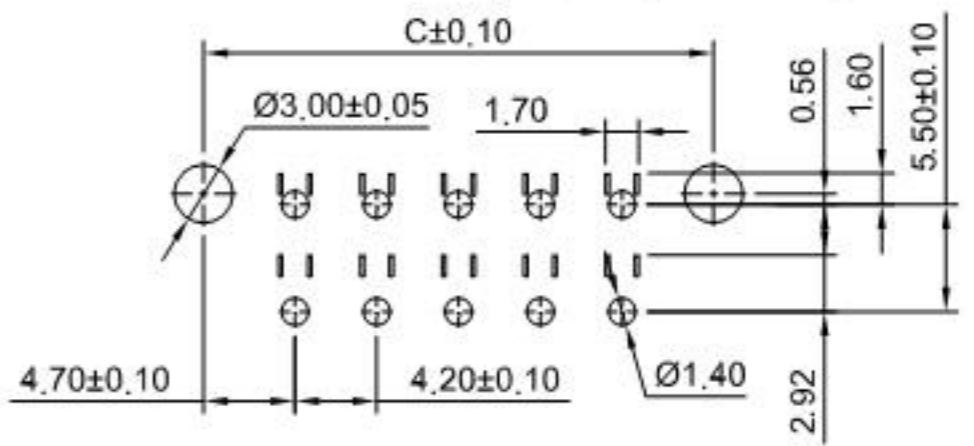
-TOLERANCES- UNLESS OTHERWISE SPECIFIED 公差参数表				TITLE: 4.20mm Pitch Housing 产品名称: Housing	
X.X	±0.30	X.X°	±3°	APPD: 核准: XIE	PART NO: HDGC4201HMB-2xXP 产品编号:
X.XX	±0.30	X.XX°	±2°	CHECK: 校对: WANG	DATE SCALE UNIT CODE NUMBER
X.XXX	±0.10	X.XXX°	±1°	DRAW: 绘图: WANG	2012-11-25 1.5:1 mm A008

修订 REV	标记 MARK	修改摘要 REVISION DESCRIPTION	签名 SIGNATURE	日期 DATE
A0		NEW RELEASE	WANG	2012-11-25



Ordering Information:  
 HDGC4201HV-2xXP -  $\frac{--}{2}$  -  $\frac{--}{3}$  -  $\frac{--}{4}$

- Part No.
- Material:  
 (blank): Nylon 66 UL94V-2  
 V0: Nylon 66 UL94V-0  
 GWT: Nylon 66 UL94V-0, GWT 750°C
- Color:  
 (blank): Natural  
 WH: White  
 BK: Black  
 RD: Red  
 YL: Yellow  
 BL: Blue
- Finish:  
 (blank): Tin over Nickel  
 G: Gold over Nickel(1u")  
 G3: Gold over Nickel(3u")  
 G15: Gold over Nickel(15u")  
 G30: Gold over Nickel(30u")

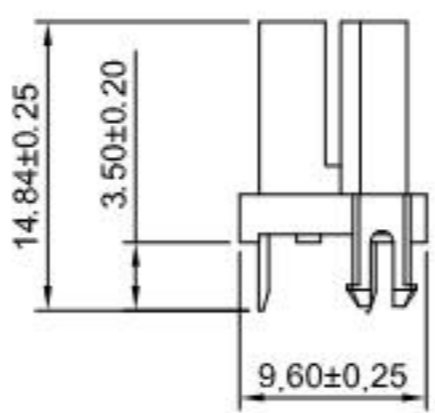
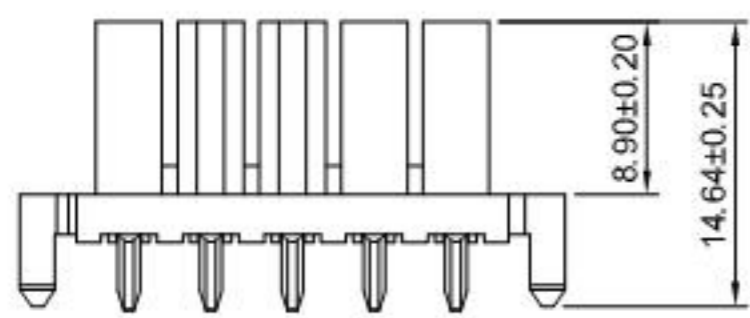
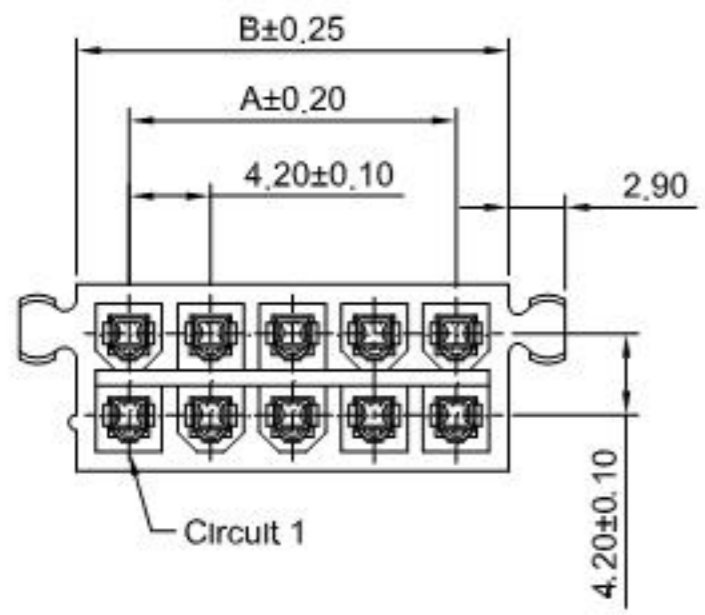


PCB LAYOUT: Component Side  
 Recommended PCB Thickness 1.78MAX

SPECIFICATIONS:  
 Current Rating: 9A AC,DC  
 Voltage Rating: 600V AC,DC  
 Temperature Range: -25°C ~ +85°C  
 Contact Resistance: 10mΩ Max  
 Insulation Resistance: 1000MΩ Min  
 Withstanding Voltage: 1500V AC/minute  
 Pin Material: Phosphor Bronze/Tin over Nickel  
 Material: Nylon 66, UL94V-2(Natural)

Ordering Information & Dimensions

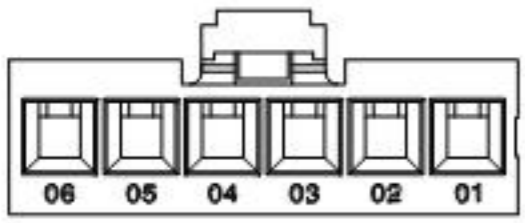
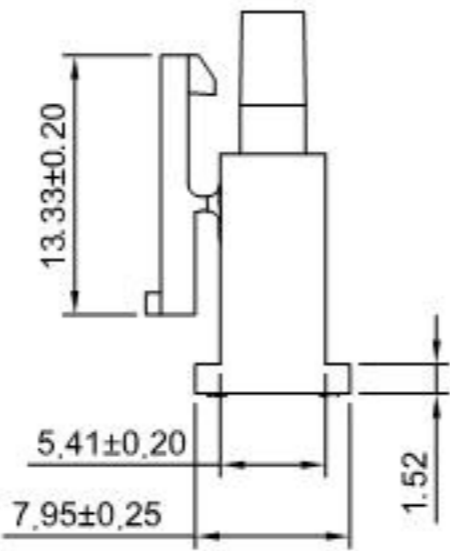
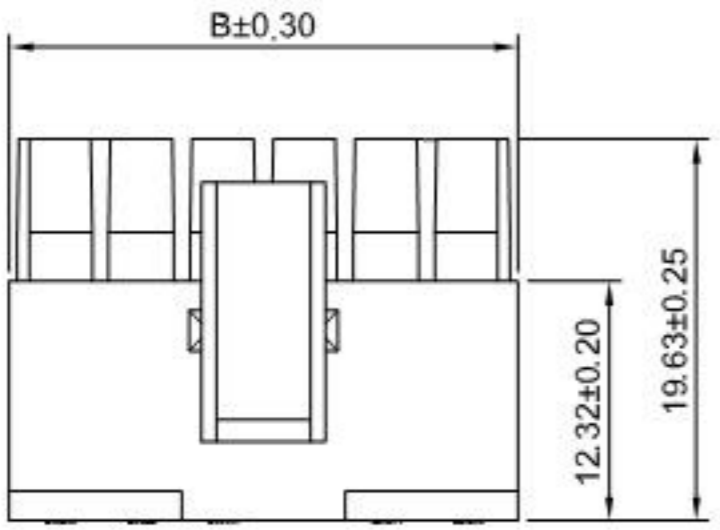
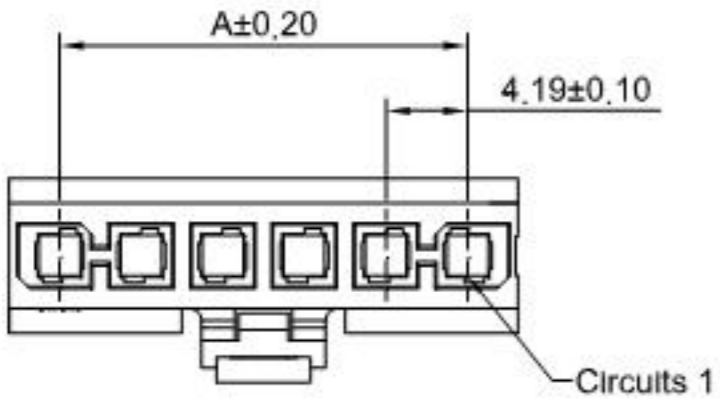
Circuits	Dimensions(mm)			Circuits	Dimensions(mm)		
	A	B	C		A	B	C
2x1P	--	5.40	9.40	2x8P	29.40	34.80	38.80
2x2P	4.20	9.60	13.60	2x9P	33.60	39.00	43.00
2x3P	8.40	13.80	17.80	2x10P	37.80	43.20	47.20
2x4P	12.60	18.00	22.00	2x11P	42.00	47.40	51.40
2x5P	16.80	22.20	26.20	2x12P	46.20	51.60	55.60
2x6P	21.00	26.40	30.40	2x18P	71.40	76.80	80.80
2x7P	25.20	30.60	34.60				



**HDGC** 深圳市华德共创科技有限公司  
 SHENZHEN HUADE CO-CREATE TECHNOLOGY CO., LTD  
 TEL: 0755-27129737 FAX: 0755-29940187

-TOLERANCES- UNLESS OTHERWISE SPECIFIED 公差参数表				TITLE: 4.20mm Pitch Header 产品名称: Header	
X.X	±0.30	X.X°	±3°	APPD: 核准: XIE	PART NO: HDGC4201HV-2xXP 产品编号:
X.XX	±0.30	X.XX°	±2°	CHECK: 校对: WANG	DATE SCALE UNIT CODE NUMBER
X.XXX	±0.10	X.XXX°	±1°	DRAW: 绘图: WANG	2012-11-25 2:1 mm A008

修订 REV	标记 MARK	修改摘要 REVISION DESCRIPTION	签名 SIGNATURE	日期 DATE
A0		NEW RELEASE	WANG	2015-03-11



**SPECIFICATIONS:**

Current Rating: 9A AC,DC  
Voltage Rating: 600V AC,DC  
Temperature Range: -25°C ~ +85°C  
Contact Resistance: 10mΩ Max  
After environmental testing: 20mΩ Max  
Insulation Resistance: 1000MΩ Min  
Withstanding Voltage: 1500V AC/minute  
Material: Nylon 66,UL94V-0(Natural)

**Ordering Information & Dimensions**

Circuits	Dimensions(mm)		Circuits	Dimensions(mm)	
	A	B		A	B
2P	4.19	9.40	9P	33.52	38.73
3P	8.38	13.59	10P	37.71	42.92
4P	12.57	17.78	11P	41.90	47.11
5P	16.76	21.97	12P	46.09	51.30
6P	20.95	26.16	13P	50.28	55.49
7P	25.14	30.35	14P	54.47	59.68
8P	29.33	34.54	15P	58.66	63.87



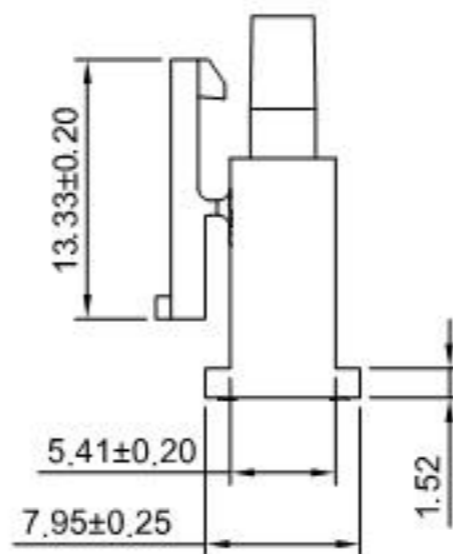
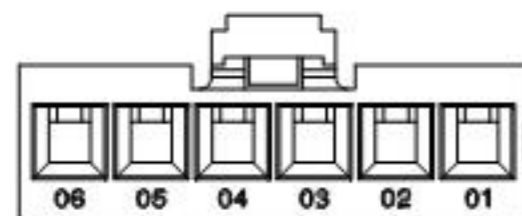
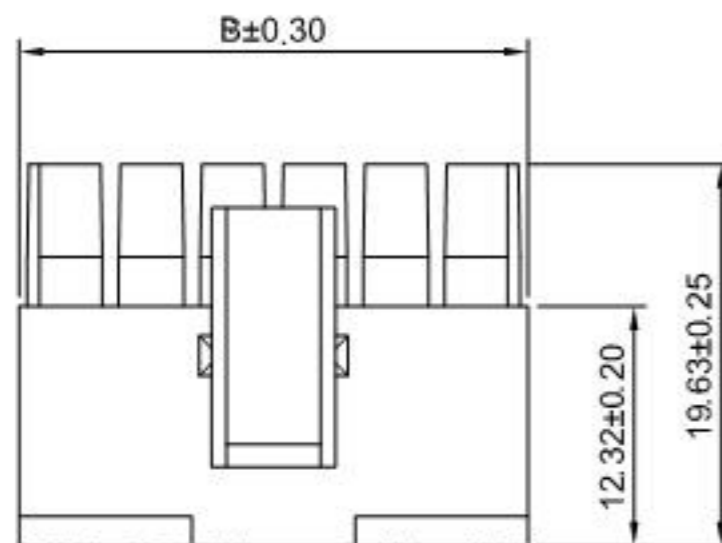
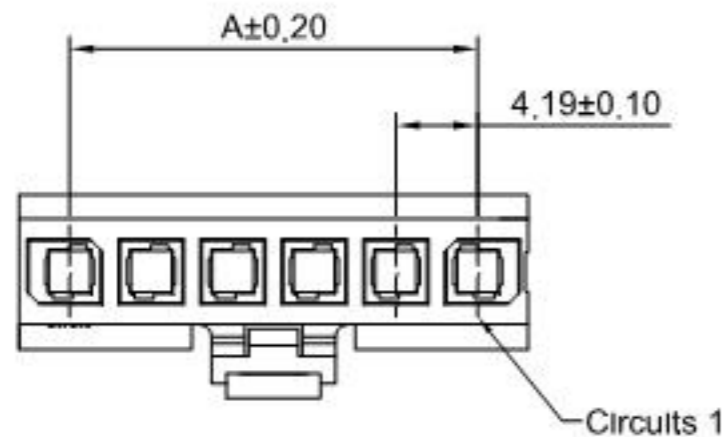
深圳市华德共创科技有限公司

SHENZHEN HUADE CO-CREATE TECHNOLOGY CO.,LTD

TEL: 0755-27129737 FAX: 0755-29940187

-TOLERANCES- UNLESS OTHERWISE SPECIFIED 公差参数表						TITLE: 4.19mm Pitch Housing 产品名称: Housing			
X.X	±0.30	X.X°	±3°	APPD: 核准:	XIE	PART NO: 产品编号: HDGC4201HFS-XP			
X.XX	±0.30	X.XX°	±2°	CHECK: 校对:	WANG	DATE	SCALE	UNIT	CODE NUMBER
X.XXX	±0.10	X.XXX°	±1°	DRAW: 绘图:	WANG	2015-03-11	2:1	mm	A008

修订 REV	标记 MARK	修改摘要 REVISION DESCRIPTION	签名 SIGNATURE	日期 DATE
A0		NEW RELEASE	WANG	2015-03-11



**SPECIFICATIONS:**

Current Rating: 9A AC,DC  
Voltage Rating: 600V AC,DC  
Temperature Range: -25°C ~ +85°C  
Contact Resistance: 10mΩ Max  
After environmental testing: 20mΩ Max  
Insulation Resistance: 1000MΩ Min  
Withstanding Voltage: 1500V AC/minute  
Material: Nylon 66,UL94V-0(Natural)

**Ordering Information & Dimensions**

Circuits	Dimensions(mm)		Circuits	Dimensions(mm)	
	A	B		A	B
2P	4.19	9.40	9P	33.52	38.73
3P	8.38	13.59	10P	37.71	42.92
4P	12.57	17.78	11P	41.90	47.11
5P	16.76	21.97	12P	46.09	51.30
6P	20.95	26.16	13P	50.28	55.49
7P	25.14	30.35	14P	54.47	59.68
8P	29.33	34.54	15P	58.66	63.87



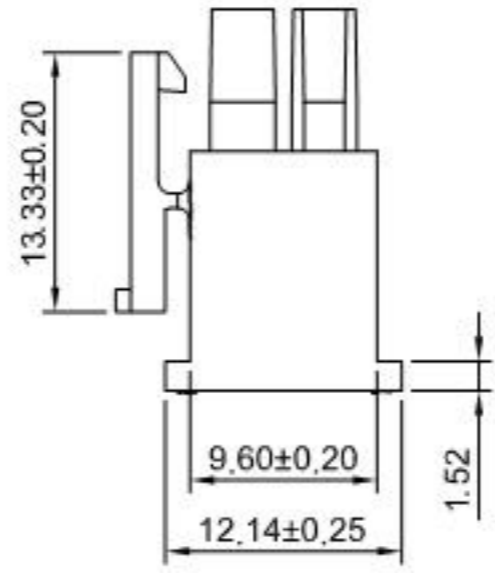
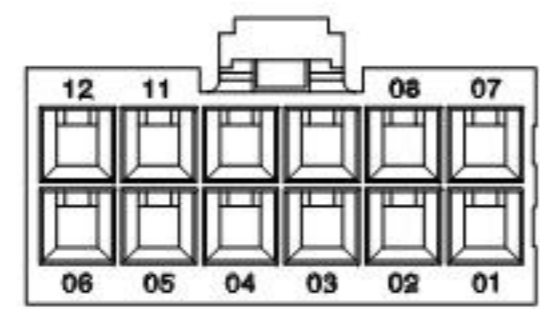
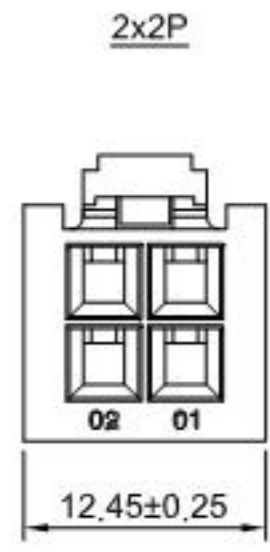
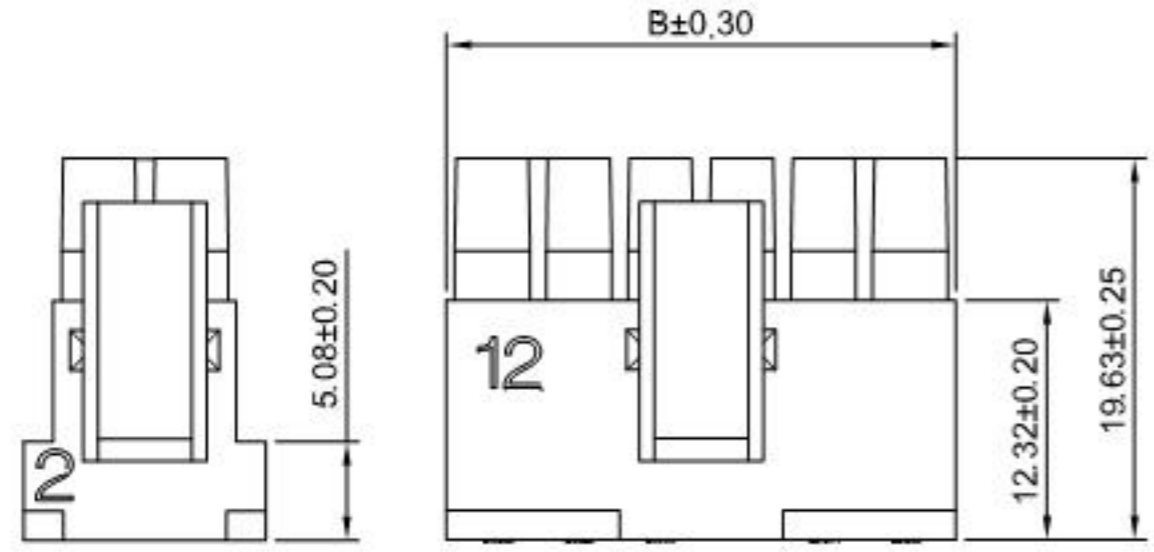
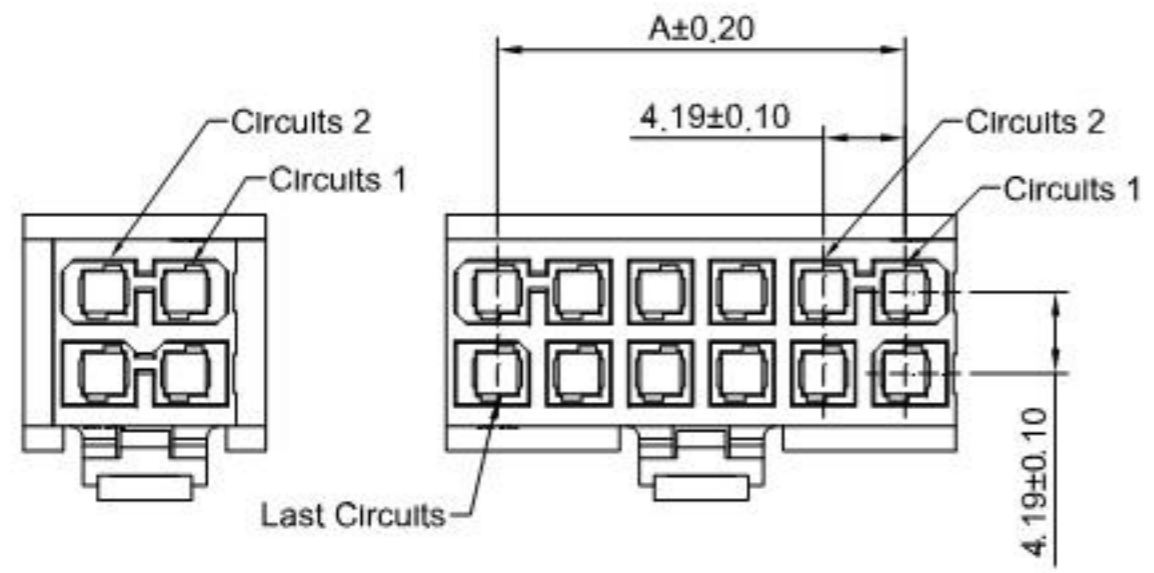
深圳市华德共创科技有限公司

SHENZHEN HUADE CO-CREATE TECHNOLOGY CO., LTD

TEL: 0755-27129737 FAX: 0755-29940187

-TOLERANCES- UNLESS OTHERWISE SPECIFIED 公差参数表						TITLE: 4.19mm Pitch Housing 产品名称: Housing			
X.X	±0.30	X.X°	±3°	APPD: 核准:	XIE	PART NO: 产品编号: HDGC4201HFSB-XP			
X.XX	±0.30	X.XX°	±2°	CHECK: 校对:	WANG	DATE	SCALE	UNIT	CODE NUMBER
X.XXX	±0.10	X.XXX°	±1°	DRAW: 绘图:	WANG	2015-03-11	2:1	mm	A008

修订 REV	标记 MARK	修改摘要 REVISION DESCRIPTION	签名 SIGNATURE	日期 DATE
A0		NEW RELEASE	WANG	2015-03-11



**SPECIFICATIONS:**  
 Current Rating: 9A AC,DC  
 Voltage Rating: 600V AC,DC  
 Temperature Range: -25°C ~ +85°C  
 Contact Resistance: 10mΩ Max  
 After environmental testing: 20mΩ Max  
 Insulation Resistance: 1000MΩ Min  
 Withstanding Voltage: 1500V AC/minute  
 Material: Nylon 66,UL94V-0(Natural)

**Ordering Information & Dimensions**

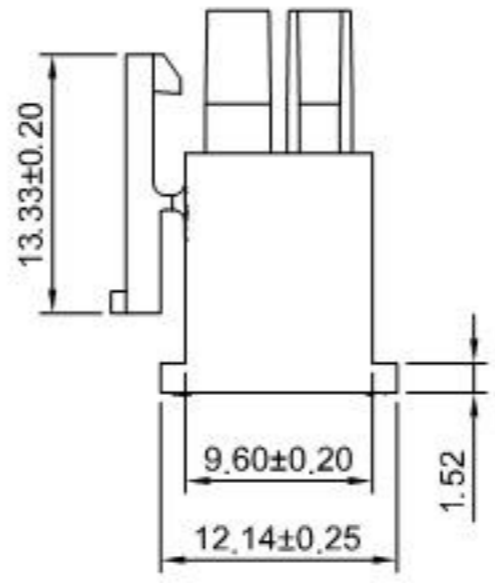
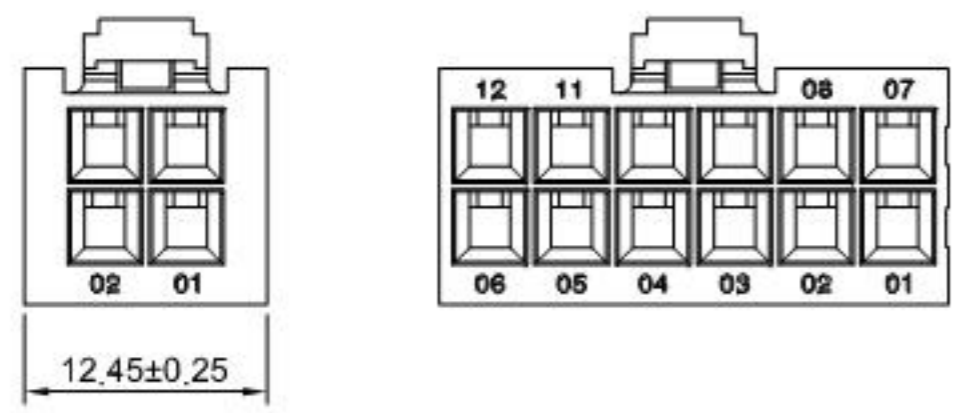
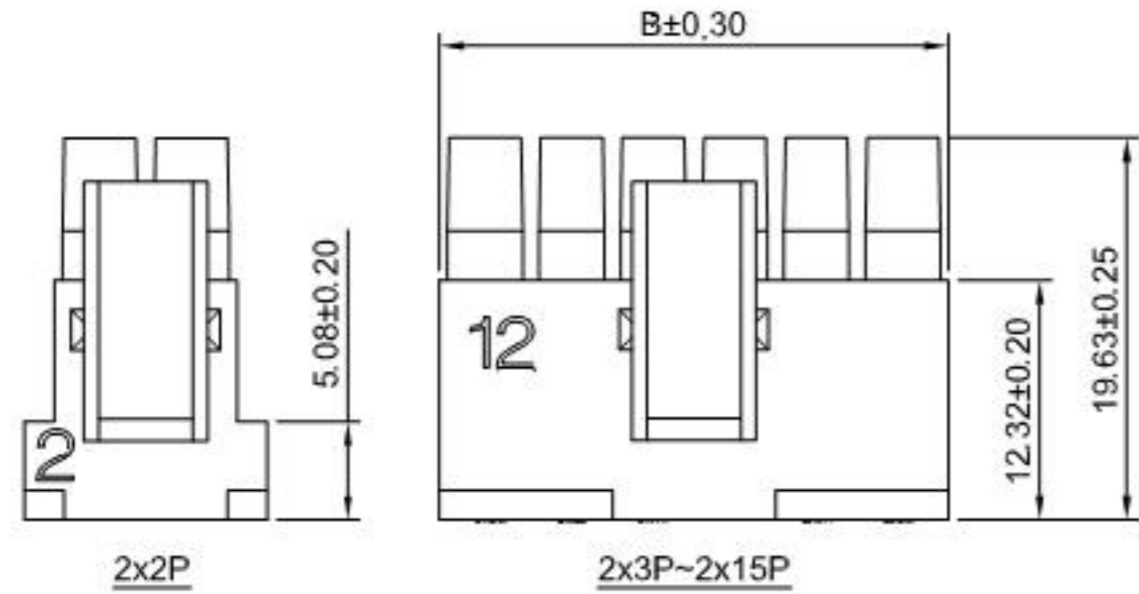
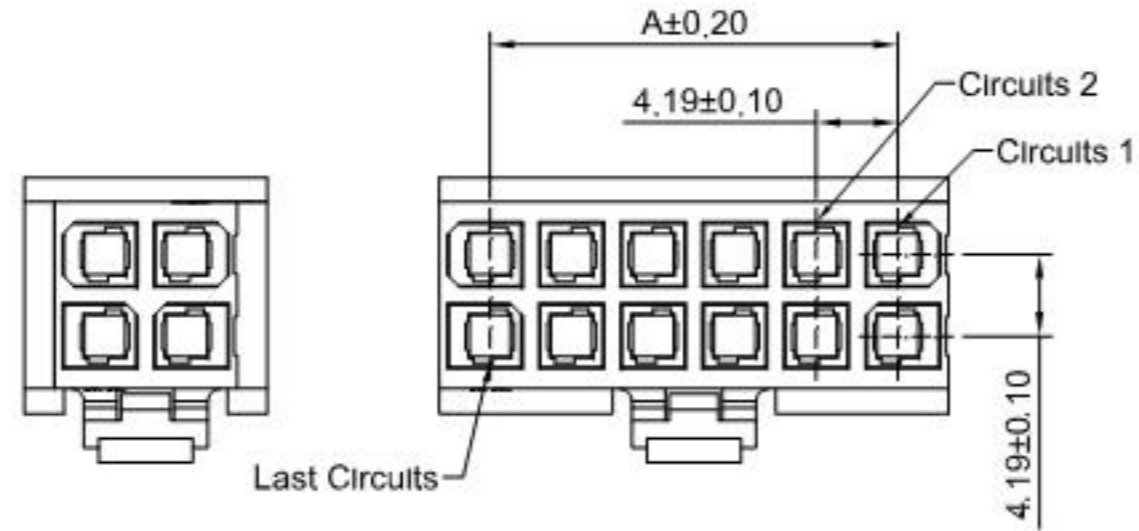
Circuits	Dimensions(mm)		Circuits	Dimensions(mm)	
	A	B		A	B
2x2P	4.19	12.45	2x9P	33.52	38.73
2x3P	8.38	13.59	2x10P	37.71	42.92
2x4P	12.57	17.78	2x11P	41.90	47.11
2x5P	16.76	21.97	2x12P	46.09	51.30
2x6P	20.95	26.16	2x13P	50.28	55.49
2x7P	25.14	30.35	2x14P	54.47	59.68
2x8P	29.33	34.54	2x15P	58.66	63.87



**深圳市华德共创科技有限公司**  
 SHENZHEN HUADE CO-CREATE TECHNOLOGY CO., LTD  
 TEL: 0755-27129737 FAX: 0755-29940187

-TOLERANCES- UNLESS OTHERWISE SPECIFIED 公差参数表				TITLE: 产品名称: 4.19mm Pitch Housing	
X.X	±0.30	X.X°	±3°	APPD: 核准:	XIE
X.XX	±0.30	X.XX°	±2°	CHECK: 校对:	WANG
X.XXX	±0.10	X.XXX°	±1°	DRAW: 绘图:	WANG
PART NO: 产品编号:		DATE		SCALE	UNIT
HDGC4201HFS-2xXP		2015-03-11		2:1	mm
CODE NUMBER				A008	

修订 REV	标记 MARK	修改摘要 REVISION DESCRIPTION	签名 SIGNATURE	日期 DATE
A0		NEW RELEASE	WANG	2015-03-11



**SPECIFICATIONS:**  
 Current Rating: 9A AC,DC  
 Voltage Rating: 600V AC,DC  
 Temperature Range: -25°C ~ +85°C  
 Contact Resistance: 10mΩ Max  
 After environmental testing: 20mΩ Max  
 Insulation Resistance: 1000MΩ Min  
 Withstanding Voltage: 1500V AC/minute  
 Material: Nylon 66,UL94V-0(Natural)

Ordering Information & Dimensions

Circuits	Dimensions(mm)		Circuits	Dimensions(mm)	
	A	B		A	B
2x2P	4.19	12.45	2x9P	33.52	38.73
2x3P	8.38	13.59	2x10P	37.71	42.92
2x4P	12.57	17.78	2x11P	41.90	47.11
2x5P	16.76	21.97	2x12P	46.09	51.30
2x6P	20.95	26.16	2x13P	50.28	55.49
2x7P	25.14	30.35	2x14P	54.47	59.68
2x8P	29.33	34.54	2x15P	58.66	63.87



**深圳市华德共创科技有限公司**  
 SHENZHEN HUADE CO-CREATE TECHNOLOGY CO., LTD  
 TEL: 0755-27129737 FAX: 0755-29940187

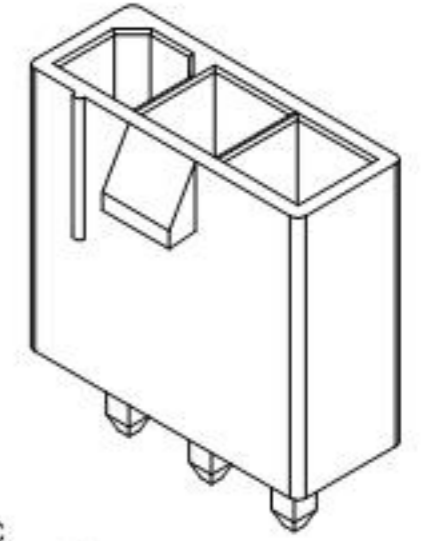
-TOLERANCES- UNLESS OTHERWISE SPECIFIED 公差参数表		TITLE: 产品名称: 4.19mm Pitch Housing	
X.X	±0.30	X.X°	±3°
X.XX	±0.30	X.XX°	±2°
X.XXX	±0.10	X.XXX°	±1°
APPD: 核准:	XIE	PART NO: 产品编号:	HDGC4201HFSB-2xXP
CHECK: 校对:	WANG	DATE	SCALE
DRAW: 绘图:	WANG	2015-03-11	2:1
		UNIT	mm
		CODE NUMBER	A008

修订 REV	标记 MARK	修改摘要 REVISION DESCRIPTION	签名 SIGNATURE	日期 DATE
A0		NEW RELEASE	WANG	2012-08-28

Ordering Information:

HDGC4201WV-XP -  $\frac{??}{1}$  -  $\frac{??}{2}$  -  $\frac{??}{3}$  -  $\frac{??}{4}$

- Part No.
- Material:  
(blank):Nylon 66 UL94V-2  
V0:Nylon 66 UL94V-0  
GWT:Nylon 66 UL94V-0,GWT 750°C
- Color:  
(blank):Natural  
WH:White  
BK:Black  
RD:Red  
YL:Yellow  
BL:Blue
- Finish:  
(blank):Tin over Nickel  
G:Gold over Nickel(1u")  
G3:Gold over Nickel(3u")  
G15:Gold over Nickel(15u")  
G30:Gold over Nickel(30u")

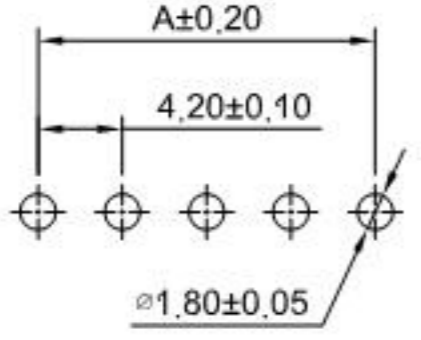


SPECIFICATIONS:

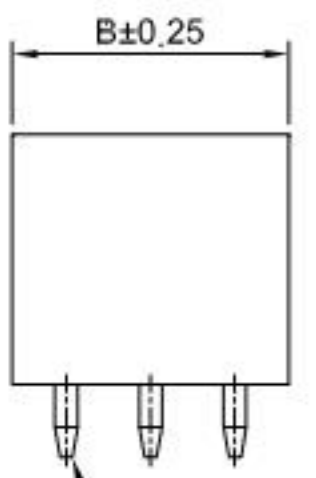
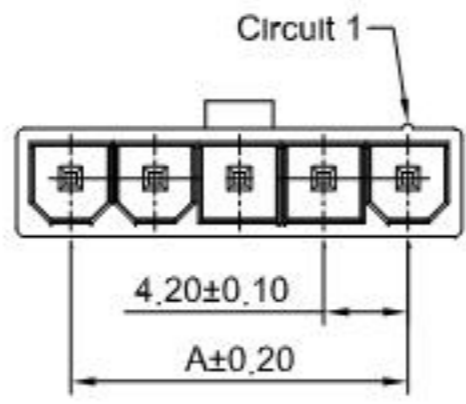
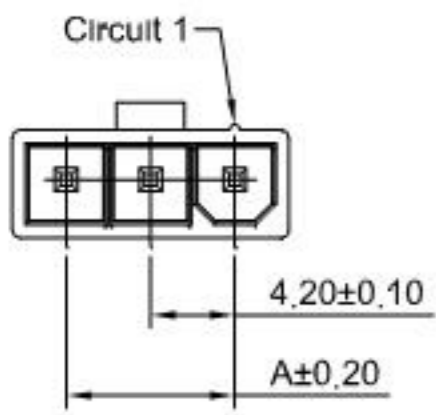
Current Rating: 9A AC,DC  
Voltage Rating: 600V AC,DC  
Temperature Range: -25°C ~ +85°C  
Contact Resistance: 10mΩ Max  
Insulation Resistance: 1000MΩ Min  
Withstanding Voltage: 1500V AC/minute  
Pin Material: Brass/Tin over Nickel  
Material: Nylon 66,UL94V-2(Natural)

Ordering Information & Dimensions

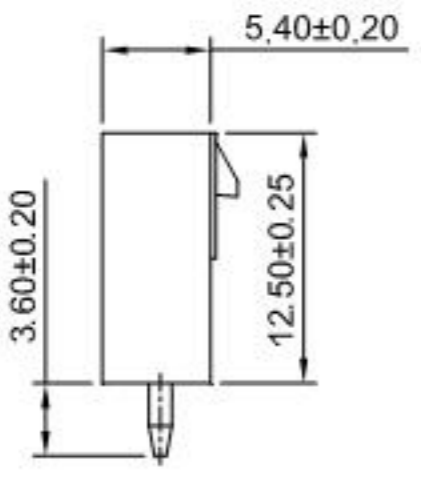
Circuits	Dimensions(mm)		Circuits	Dimensions(mm)	
	A	B		A	B
2P	4,20	9,60	8P	29,40	34,80
3P	8,40	13,80	9P	33,60	39,00
4P	12,60	18,00	10P	37,80	43,20
5P	16,80	22,20	11P	42,00	47,40
6P	21,00	26,40	12P	46,20	51,60
7P	25,20	30,60			



P.C.B LAYOUT



3P



2P,4P~12P



深圳市华德共创科技有限公司  
SHENZHEN HUADE CO-CREATE TECHNOLOGY CO.,LTD  
TEL: 0755-27129737 FAX: 0755-29940187

-TOLERANCES- UNLESS OTHERWISE SPECIFIED 公差参数表				TITLE: 4.20mm Pitch 产品名称: 180° Wafer	
X.X	±0.30	X.X°	±3°	APPD: 核准:	XIE
X.XX	±0.30	X.XX°	±2°	CHECK: 校对:	WANG
X.XXX	±0.10	X.XXX°	±1°	DRAW: 绘图:	WANG
PART NO: 产品编号:		DATE		SCALE	UNIT
HDGC4201WV-XP		2012-08-28		2:1	mm
CODE NUMBER				A008	

修订 REV	标记 MARK	修改摘要 REVISION DESCRIPTION	签名 SIGNATURE	日期 DATE
A0		NEW RELEASE	WANG	2012-08-28

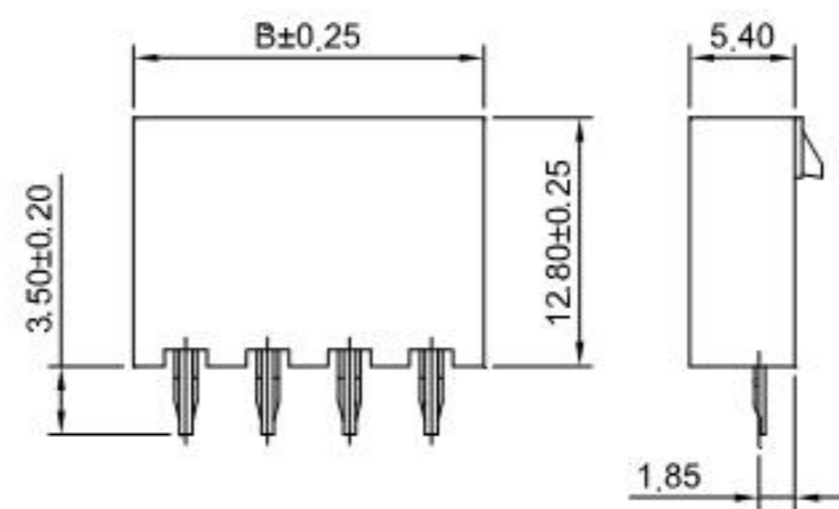
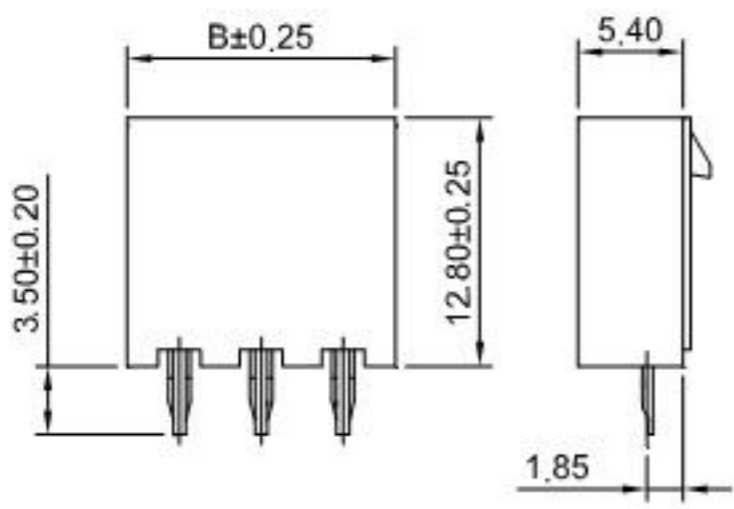
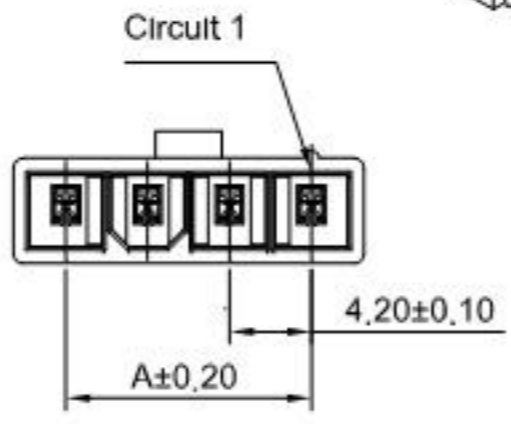
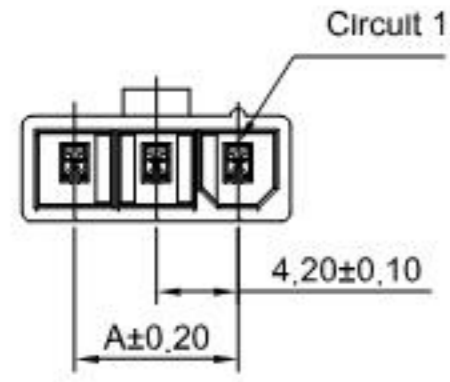
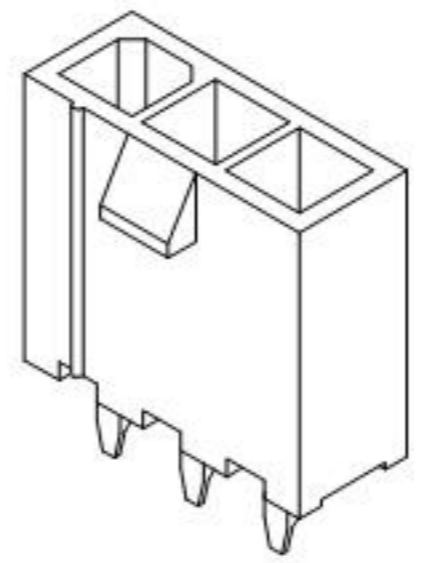
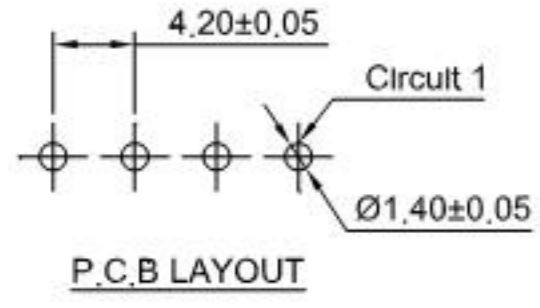
Ordering Information:  
 HDGC4201WVA-XP -  $\frac{--}{1}$  -  $\frac{--}{2}$  -  $\frac{--}{3}$  -  $\frac{--}{4}$

- Part No.
- Material:  
 (blank): Nylon 66 UL94V-2  
 V0: Nylon 66 UL94V-0  
 GWT: Nylon 66 UL94V-0, GWT 750°C
- Color:  
 (blank): Natural  
 WH: White  
 BK: Black  
 RD: Red  
 YL: Yellow  
 BL: Blue
- Finish:  
 (blank): Tin over Nickel  
 G: Gold over Nickel(1u")  
 G3: Gold over Nickel(3u")  
 G15: Gold over Nickel(15u")  
 G30: Gold over Nickel(30u")

**SPECIFICATIONS:**  
 Current Rating: 9A AC,DC  
 Voltage Rating: 600V AC,DC  
 Temperature Range: -25°C ~ +85°C  
 Contact Resistance: 10mΩ Max  
 Insulation Resistance: 1000MΩ Min  
 Withstanding Voltage: 1500V AC/minute  
 Pin Material: Brass/Tin over Nickel  
 Material: Nylon 66, UL 94V-2(Natural)

**Ordering Information & Dimensions**

Circuits	Dimensions(mm)		Circuits	Dimensions(mm)	
	A	B		A	B
2P	4.20	9.60	8P	29.40	34.80
3P	8.40	13.80	9P	33.60	39.00
4P	12.60	18.00	10P	37.80	43.20
5P	16.80	22.20	11P	42.00	47.40
6P	21.00	26.40	12P	46.20	51.60
7P	25.20	30.60			



3P

2P, 4P~12P

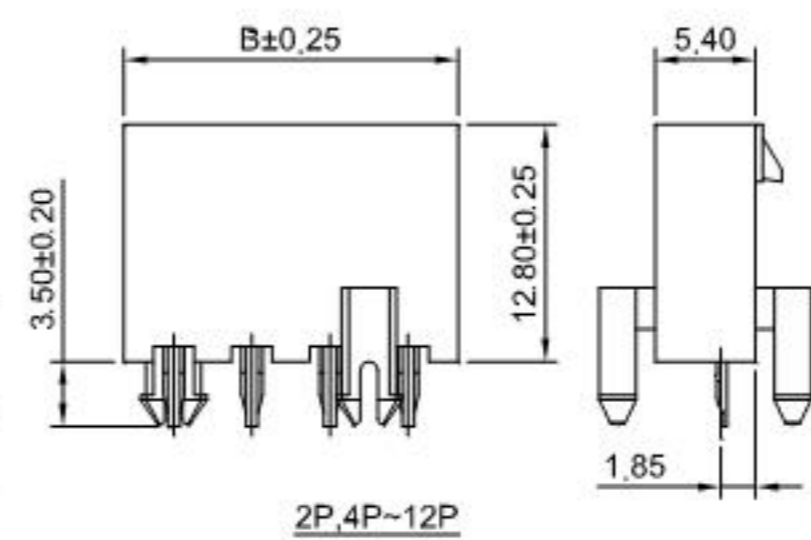
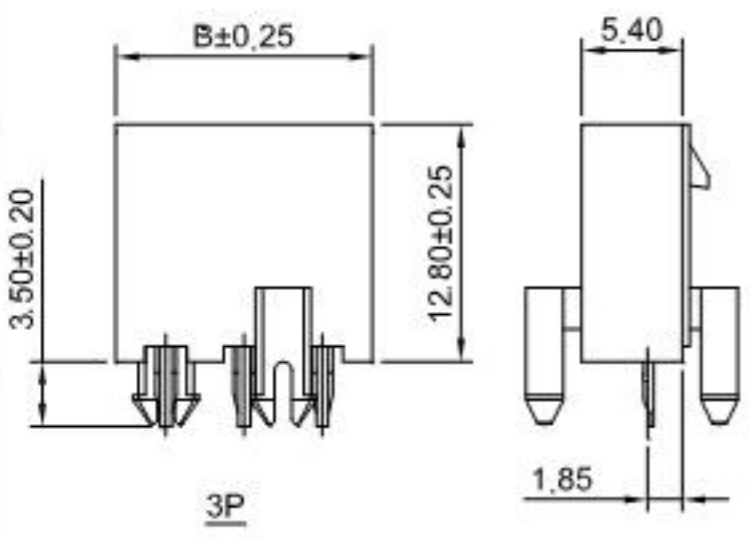
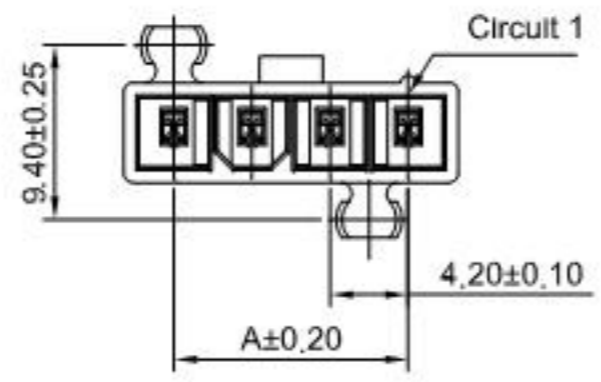
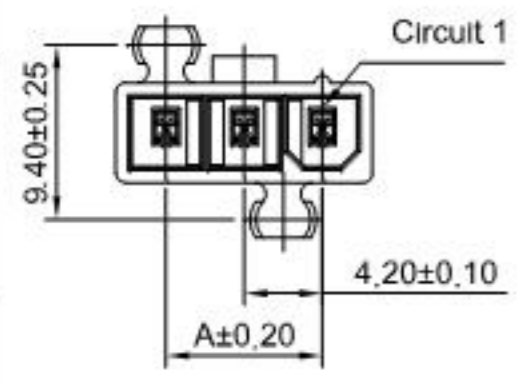
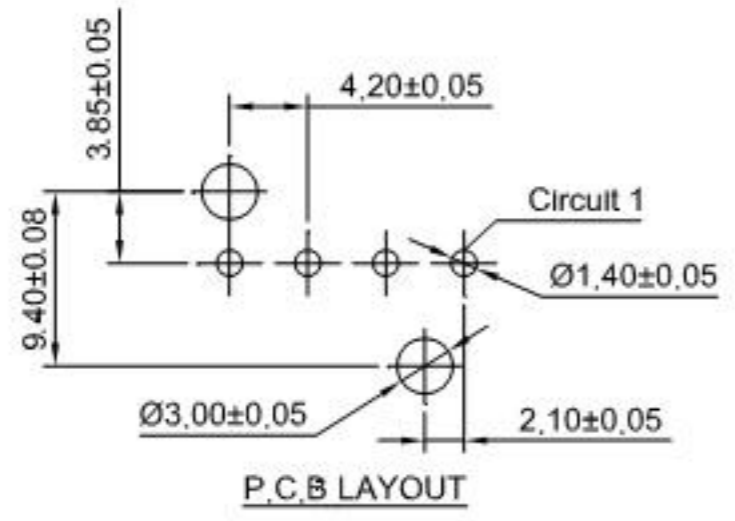
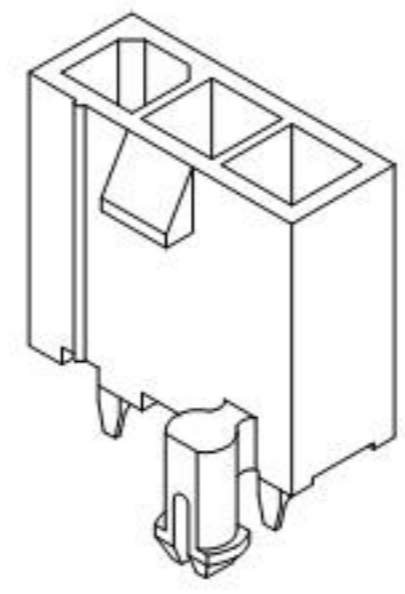
**HDGC** 深圳市华德共创科技有限公司  
 SHENZHEN HUADE CO-CREATE TECHNOLOGY CO., LTD  
 TEL: 0755-27129737 FAX: 0755-29940187

-TOLERANCES- UNLESS OTHERWISE SPECIFIED 公差参数表				TITLE: 4.20mm Pitch 产品名称: 180° Wafer	
X.X	±0.30	X.X°	±3°	APPD: 核准:	XIE
X.XX	±0.30	X.XX°	±2°	CHECK: 校对:	WANG
X.XXX	±0.10	X.XXX°	±1°	DRAW: 绘图:	WANG
PART NO: 产品编号:		HDGC4201WVA-XP		DATE	2012-08-28
SCALE		2:1		UNIT	mm
CODE NUMBER		A008			

修订 REV	标记 MARK	修改摘要 REVISION DESCRIPTION	签名 SIGNATURE	日期 DATE
A0		NEW RELEASE	WANG	2012-08-28

Ordering Information:  
**HDGC4201WVA-F-XP** -  $\frac{**}{1}$  -  $\frac{**}{2}$  -  $\frac{**}{3}$  -  $\frac{**}{4}$

- Part No.
- Material:  
 (blank):Nylon 66 UL94V-2  
 V0:Nylon 66 UL94V-0  
 GWT:Nylon 66 UL94V-0,GWT 750°C
- Color:  
 (blank):Natural  
 WH:White  
 BK:Black  
 RD:Red  
 YL:Yellow  
 BL:Blue
- Finish:  
 (blank):Tin over Nickel  
 G:Gold over Nickel(1u")  
 G3:Gold over Nickel(3u")  
 G15:Gold over Nickel(15u")  
 G30:Gold over Nickel(30u")



**SPECIFICATIONS:**

Current Rating: 9A AC,DC  
 Voltage Rating: 600V AC,DC  
 Temperature Range: -25°C ~ +85°C  
 Contact Resistance: 10mΩ Max  
 Insulation Resistance: 1000MΩ Min  
 Withstanding Voltage: 1500V AC/minute  
 Pin Material: Brass/Tin over Nickel  
 Material: Nylon 66,UL 94V-2(Natural)

**Ordering Information & Dimensions**

Circuits	Dimensions(mm)		Circuits	Dimensions(mm)	
	A	B		A	B
2P	4.20	9.60	8P	29.40	34.80
3P	8.40	13.80	9P	33.60	39.00
4P	12.60	18.00	10P	37.80	43.20
5P	16.80	22.20	11P	42.00	47.40
6P	21.00	26.40	12P	46.20	51.60
7P	25.20	30.60			



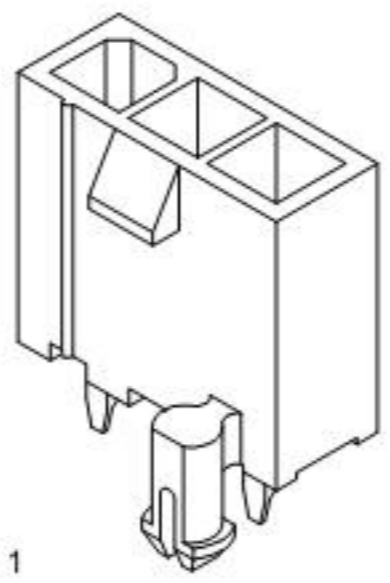
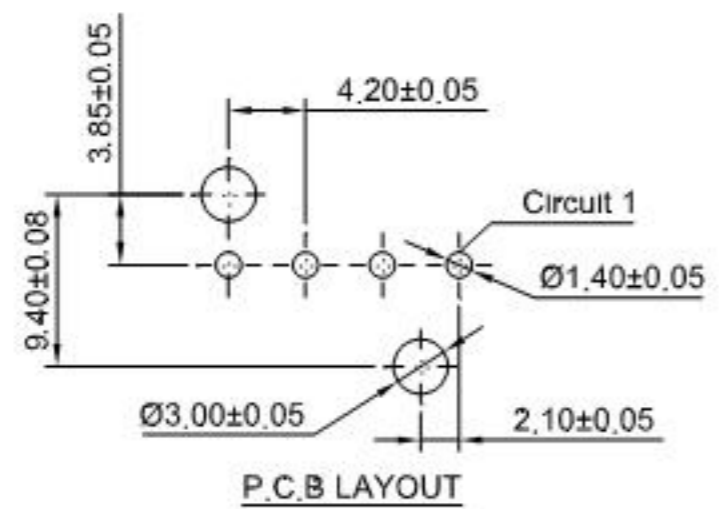
深圳市华德共创科技有限公司

SHENZHEN HUADE CO-CREATE TECHNOLOGY CO., LTD

TEL: 0755-27129737 FAX: 0755-29940187

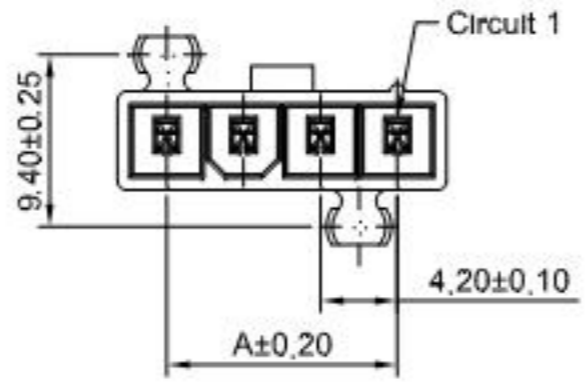
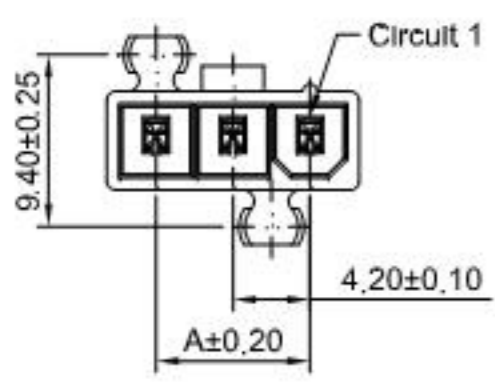
-TOLERANCES- UNLESS OTHERWISE SPECIFIED 公差参数表				TITLE: 4.20mm Pitch 产品名称: 180° Wafer	
X.X	±0.30	X.X°	±3°	APPD: 核准:	XIE
X.XX	±0.30	X.XX°	±2°	CHECK: 校对:	WANG
X.XXX	±0.10	X.XXX°	±1°	DRAW: 绘图:	WANG
PART NO: 产品编号:		HDGC4201WVA-F-XP		DATE	2012-08-28
SCALE		2:1		UNIT	mm
CODE NUMBER		A008			

修订 REV	标记 MARK	修改摘要 REVISION DESCRIPTION	签名 SIGNATURE	日期 DATE
A0		NEW RELEASE	WANG	2012-08-28



Ordering Information:  
**HDGC4201WVD-F-XP** -  $\frac{***}{1}$  -  $\frac{**}{2}$  -  $\frac{***}{3}$  -  $\frac{***}{4}$

- Part No.
- Material:  
 (blank):Nylon 66 UL94V-2  
 V0:Nylon 66 UL94V-0  
 GWT:Nylon 66 UL94V-0,GWT 750°C
- Color:  
 (blank):Natural  
 WH:White  
 BK:Black  
 RD:Red  
 YL:Yellow  
 BL:Blue
- Finish:  
 (blank):Tin over Nickel  
 G:Gold over Nickel(1u")  
 G3:Gold over Nickel(3u")  
 G15:Gold over Nickel(15u")  
 G30:Gold over Nickel(30u")

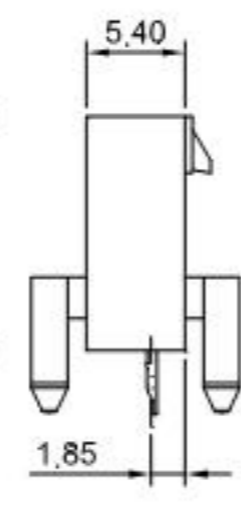
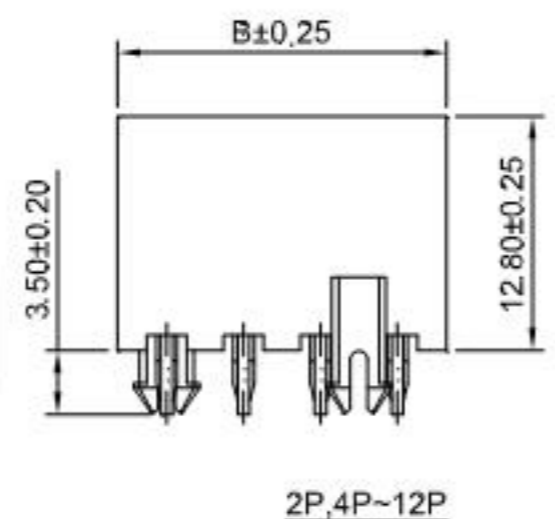
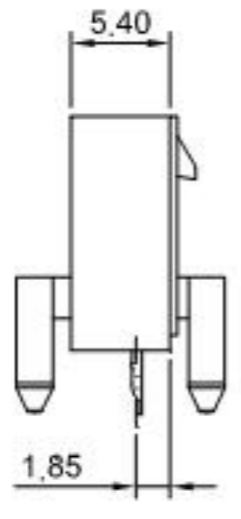
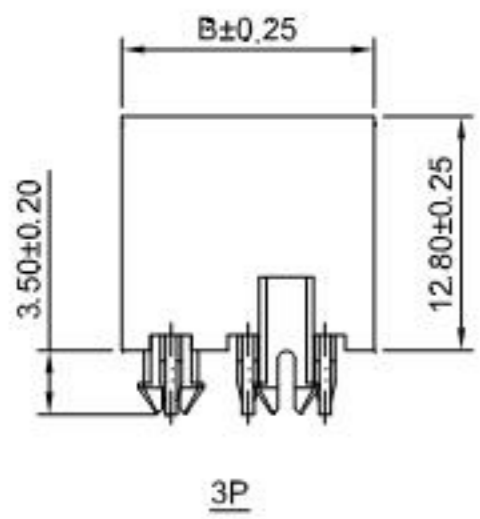


**SPECIFICATIONS:**

Current Rating: 9A AC,DC  
 Voltage Rating: 600V AC,DC  
 Temperature Range: -25°C ~ +85°C  
 Contact Resistance: 10mΩ Max  
 Insulation Resistance: 1000MΩ Min  
 Withstanding Voltage: 1500V AC/minute  
 Pin Material: Brass/Tin over Nickel  
 Material: Nylon 66,UL 94V-2(Natural)

**Ordering Information & Dimensions**

Circuits	Dimensions(mm)		Circuits	Dimensions(mm)	
	A	B		A	B
2P	4.20	9.60	8P	29.40	34.80
3P	8.40	13.80	9P	33.60	39.00
4P	12.60	18.00	10P	37.80	43.20
5P	16.80	22.20	11P	42.00	47.40
6P	21.00	26.40	12P	46.20	51.60
7P	25.20	30.60			



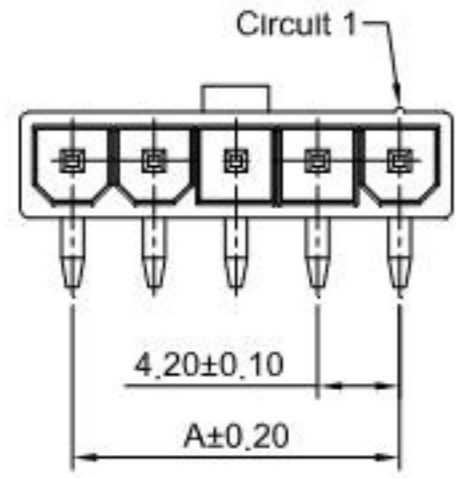
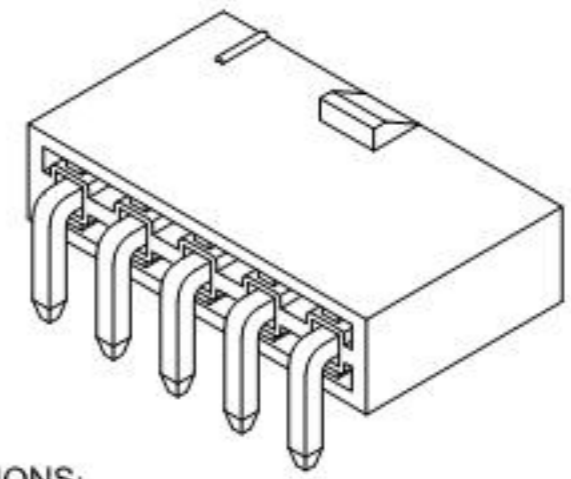
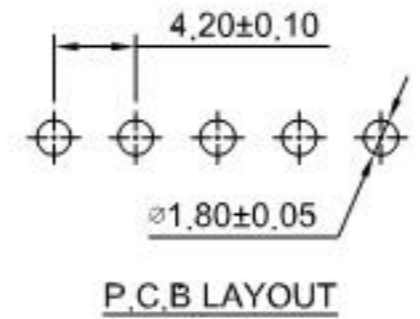
**深圳市华德共创科技有限公司**  
 SHENZHEN HUADE CO-CREATE TECHNOLOGY CO.,LTD  
 TEL: 0755-27129737 FAX: 0755-29940187

-TOLERANCES- UNLESS OTHERWISE SPECIFIED 公差参数表				TITLE: 4.20mm Pitch 产品名称: 180° Wafer	
X.X	±0.30	X.X°	±3°	APPD: 核准:	XIE
X.XX	±0.30	X.XX°	±2°	CHECK: 校对:	WANG
X.XXX	±0.10	X.XXX°	±1°	DRAW: 绘图:	WANG
PART NO: 产品编号:		HDGC4201WVD-F-XP		DATE	2012-08-28
SCALE		2:1		UNIT	mm
CODE NUMBER		A008			

修订 REV	标记 MARK	修改摘要 REVISION DESCRIPTION	签名 SIGNATURE	日期 DATE
A0		NEW RELEASE	WANG	2012-08-28

Ordering Information:  
 HDGC4201WR-XP -  $\frac{**}{1}$  -  $\frac{**}{2}$  -  $\frac{**}{3}$  -  $\frac{***}{4}$

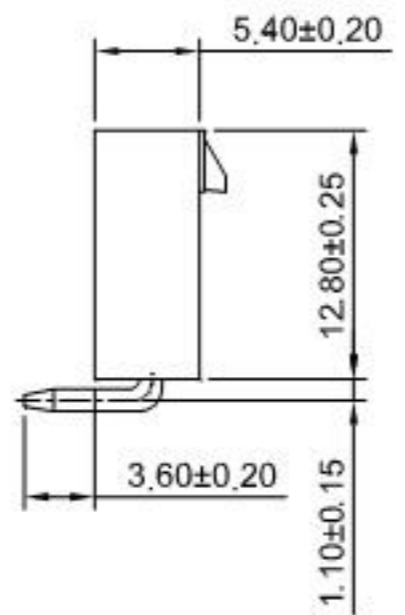
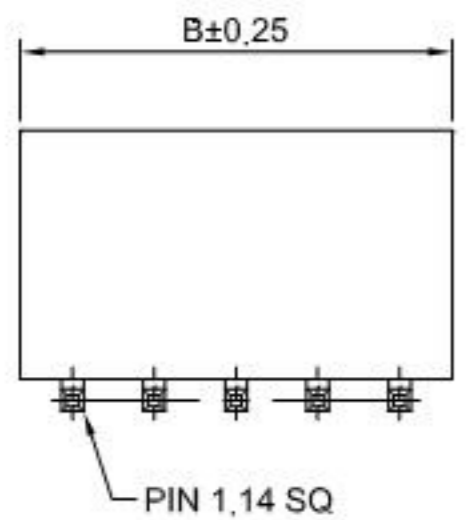
- Part No.
- Material:  
 (blank): Nylon 66 UL94V-2  
 V0: Nylon 66 UL94V-0  
 GWT: Nylon 66 UL94V-0, GWT 750°C
- Color:  
 (blank): Natural  
 WH: White  
 BK: Black  
 RD: Red  
 YL: Yellow  
 BL: Blue
- Finish:  
 (blank): Tin over Nickel  
 G: Gold over Nickel(1u")  
 G3: Gold over Nickel(3u")  
 G15: Gold over Nickel(15u")  
 G30: Gold over Nickel(30u")



**SPECIFICATIONS:**  
 Current Rating: 9A AC,DC  
 Voltage Rating: 600V AC,DC  
 Temperature Range: -25°C ~ +85°C  
 Contact Resistance: 10mΩ Max  
 Insulation Resistance: 1000MΩ Min  
 Withstanding Voltage: 1500V AC/minute  
 Pin Material: Brass/Tin over Nickel  
 Material: Nylon 66,UL94V-2(Natural)

Ordering Information & Dimensions

Circuits	Dimensions(mm)		Circuits	Dimensions(mm)	
	A	B		A	B
2P	4,20	9,60	8P	29,40	34,80
3P	8,40	13,80	9P	33,60	39,00
4P	12,60	18,00	10P	37,80	43,20
5P	16,80	22,20	11P	42,00	47,40
6P	21,00	26,40	12P	46,20	51,60
7P	25,20	30,60			



**HDGC** 深圳市华德共创科技有限公司  
 SHENZHEN HUADE CO-CREATE TECHNOLOGY CO.,LTD  
 TEL: 0755-27129737 FAX: 0755-29940187

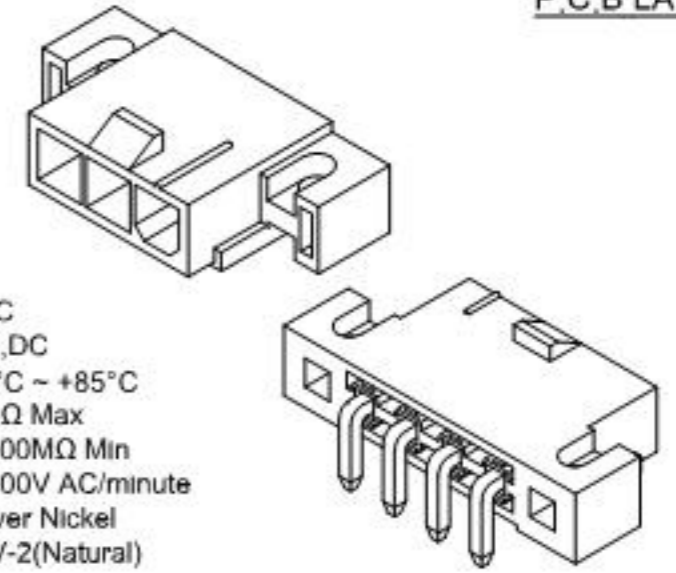
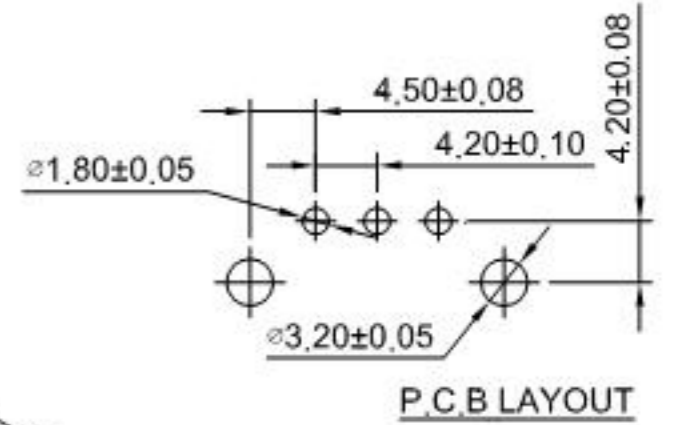
-TOLERANCES- UNLESS OTHERWISE SPECIFIED 公差参数表				TITLE: 产品名称:		4.20mm Pitch 90° Wafer			
X.X	±0.30	X.X°	±3°	APPD: 核准:	XIE	PART NO: 产品编号: HDGC4201WR-XP			
X.XX	±0.30	X.XX°	±2°	CHECK: 校对:	WANG	DATE	SCALE	UNIT	CODE NUMBER
X.XXX	±0.10	X.XXX°	±1°	DRAW: 绘图:	WANG	2012-08-28	2:1	mm	A008

修订 REV	标记 MARK	修改摘要 REVISION DESCRIPTION	签名 SIGNATURE	日期 DATE
A0		NEW RELEASE	WANG	2012-08-28

**Ordering Information:**

HDGC4201WR-E-XP -  $\frac{***}{1}$  -  $\frac{**}{2}$  -  $\frac{**}{3}$  -  $\frac{***}{4}$

- Part No.
- Material:  
(blank):Nylon 66,UL94V-2  
V0:Nylon 66,UL94V-0  
GWT:Nylon 66,UL94V-0,GWT 750°C
- Color:  
(blank):Natural  
WH:White  
BK:Black  
RD:Red  
YL:Yellow  
BL:Blue
- Finish:  
(blank):Tin over Nickel  
G:Gold over Nickel(1u")  
G3:Gold over Nickel(3u")  
G15:Gold over Nickel(15u")  
G30:Gold over Nickel(30u")



**SPECIFICATIONS:**

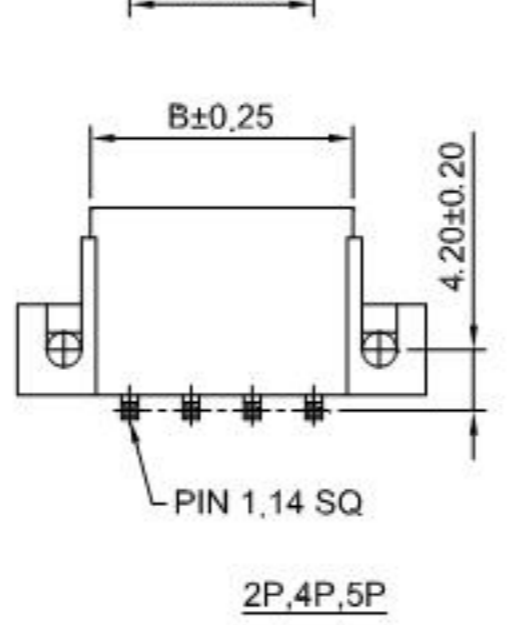
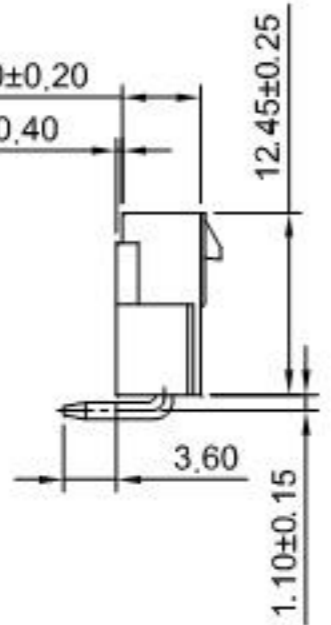
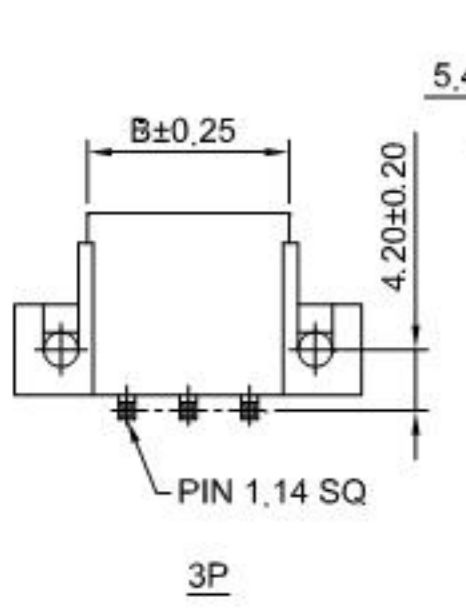
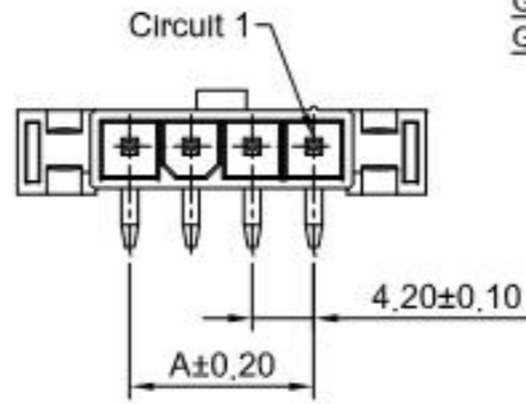
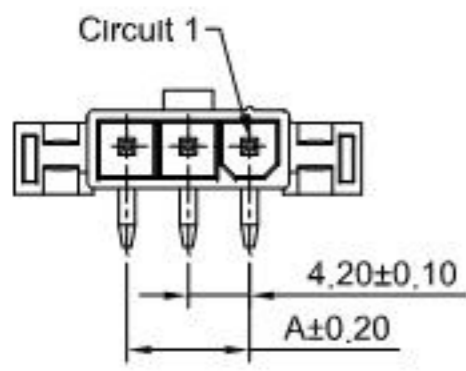
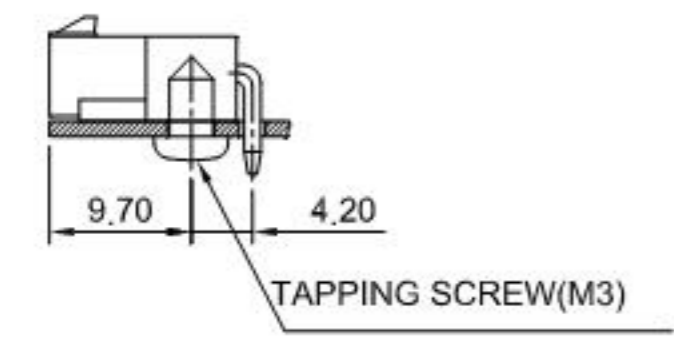
Current Rating: 9A AC,DC  
Voltage Rating: 600V AC,DC  
Temperature Range: -25°C ~ +85°C  
Contact Resistance: 10mΩ Max  
Insulation Resistance: 1000MΩ Min  
Withstanding Voltage: 1500V AC/minute  
Pin Material: Brass/Tin over Nickel  
Material: Nylon 66,UL94V-2(Natural)

**Ordering Information & Dimensions**

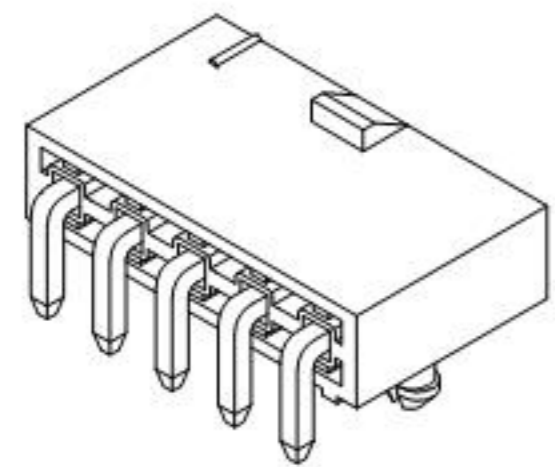
Circuits	Dimensions(mm)		Circuits	Dimensions(mm)	
	A	B		A	B
2P	4.20	9.60	2P	29.40	34.80
3P	8.40	13.80	9P	33.60	39.00
4P	12.60	18.00	10P	37.80	43.20
5P	16.80	22.20	11P	42.00	47.40
6P	21.00	26.40	12P	46.20	51.60
7P	25.20	30.60			

**HDGC** 深圳市华德共创科技有限公司  
SHENZHEN HUADE CO-CREATE TECHNOLOGY CO.,LTD  
TEL: 0755-27129737 FAX: 0755-29940187

-TOLERANCES- UNLESS OTHERWISE SPECIFIED 公差参数表				TITLE: 4.20mm Pitch 产品名称: 90° Wafer	
X.X	±0.30	X.X°	±3°	APPD: 核准:	XIE
X.XX	±0.30	X.XX°	±2°	CHECK: 校对:	WANG
X.XXX	±0.10	X.XXX°	±1°	DRAW: 绘图:	WANG
DATE		SCALE	UNIT	CODE NUMBER	
2012-08-28		1.5:1	mm	A008	

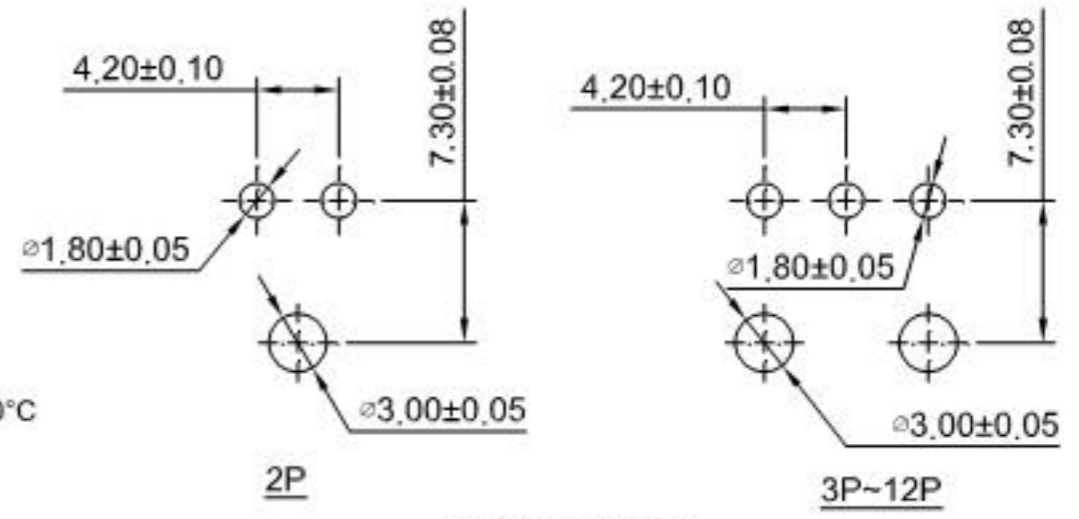


修订 REV	标记 MARK	修改摘要 REVISION DESCRIPTION	签名 SIGNATURE	日期 DATE
A0		NEW RELEASE	WANG	2012-08-28



Ordering Information:  
 HDGC4201WR-F-XP -  $\frac{**}{2}$  -  $\frac{**}{3}$  -  $\frac{***}{4}$

- Part No.
- Material:  
 (blank): Nylon 66 UL94V-2  
 V0: Nylon 66 UL94V-0  
 GWT: Nylon 66 UL94V-0, GWT 750°C
- Color:  
 (blank): Natural  
 WH: White  
 BK: Black  
 RD: Red  
 YL: Yellow  
 BL: Blue
- Finish:  
 (blank): Tin over Nickel  
 G: Gold over Nickel(1u")  
 G3: Gold over Nickel(3u")  
 G15: Gold over Nickel(15u")  
 G30: Gold over Nickel(30u")

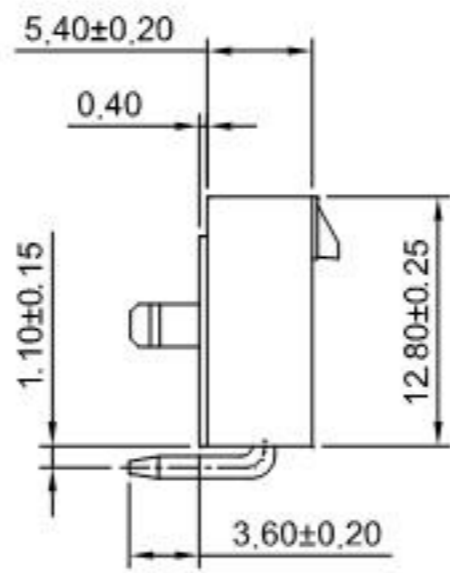
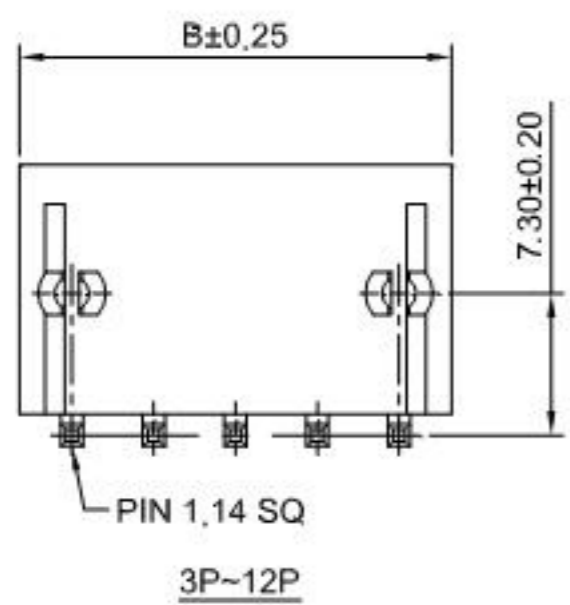
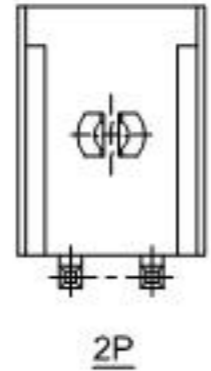
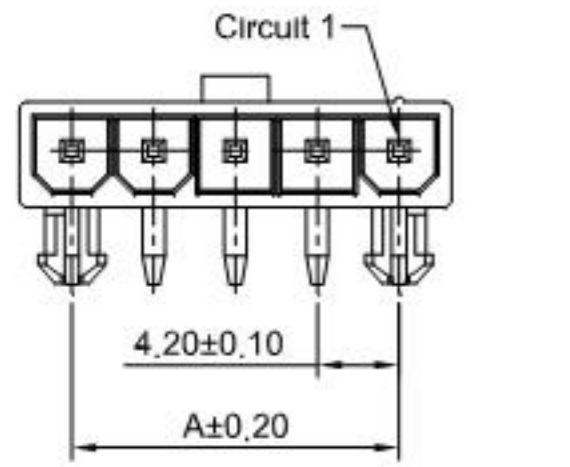


P.C.B LAYOUT

**SPECIFICATIONS:**  
 Current Rating: 9A AC,DC  
 Voltage Rating: 600V AC,DC  
 Temperature Range: -25°C ~ +85°C  
 Contact Resistance: 10mΩ Max  
 Insulation Resistance: 1000MΩ Min  
 Withstanding Voltage: 1500V AC/minute  
 Pin Material: Brass/Tin over Nickel  
 Material: Nylon 66, UL94V-2(Natural)

Ordering Information & Dimensions

Circuits	Dimensions(mm)		Circuits	Dimensions(mm)	
	A	B		A	B
2P	4,20	9,60	8P	29,40	34,80
3P	8,40	13,80	9P	33,60	39,00
4P	12,60	18,00	10P	37,80	43,20
5P	16,80	22,20	11P	42,00	47,40
6P	21,00	26,40	12P	46,20	51,60
7P	25,20	30,60			



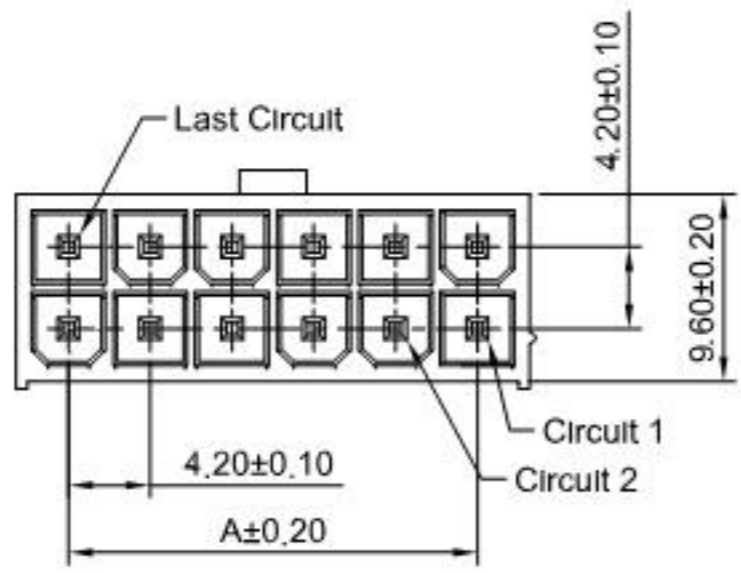
深圳市华德共创科技有限公司  
 SHENZHEN HUADE CO-CREATE TECHNOLOGY CO., LTD  
 TEL: 0755-27129737 FAX: 0755-29940187

TITLE: 4.20mm Pitch  
 产品名称: 90° Wafer

PART NO: HDGC4201WR-F-XP  
 产品编号:

-TOLERANCES- UNLESS OTHERWISE SPECIFIED 公差参数表						DATE: 2012-08-28			
X.X	±0.30	X.X°	±3°	APPD: 核准:	X1E	SCALE	UNIT	CODE NUMBER	
X.XX	±0.30	X.XX°	±2°	CHECK: 校对:	WANG	2:1	mm	A008	
X.XXX	±0.10	X.XXX°	±1°	DRAW: 绘图:	WANG				

修订 REV	标记 MARK	修改摘要 REVISION DESCRIPTION	签名 SIGNATURE	日期 DATE
A0		NEW RELEASE	WANG	2012-08-28

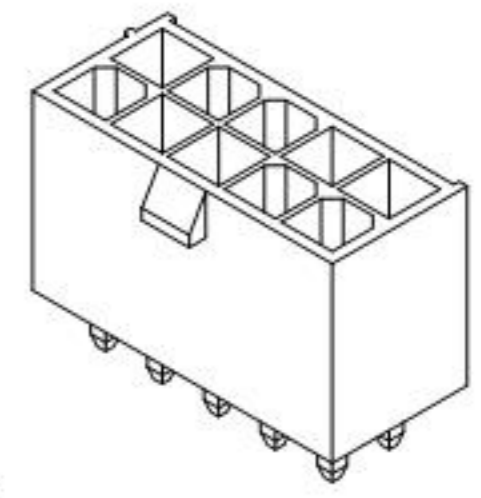
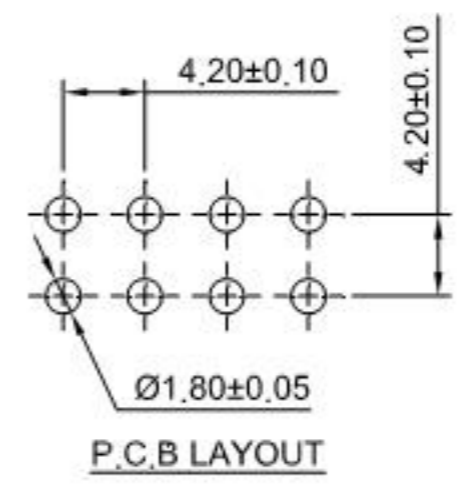


**Ordering Information:**  
 HDGC4201WV-2xXP -  $\frac{**}{2}$  -  $\frac{**}{3}$  -  $\frac{**}{4}$

1. Part No.  
 2. Material:  
 (blank): Nylon 66 UL94V-2  
 V0: Nylon 66 UL94V-0  
 GWT: Nylon 66 UL94V-0, GWT 750°C

3. Color:  
 (blank): Natural  
 WH: White  
 BK: Black  
 RD: Red  
 YL: Yellow  
 BL: Blue

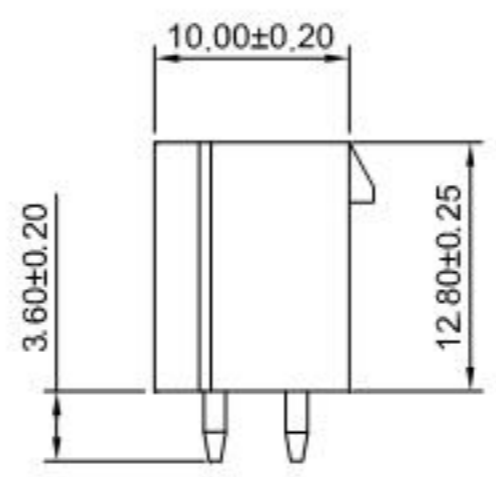
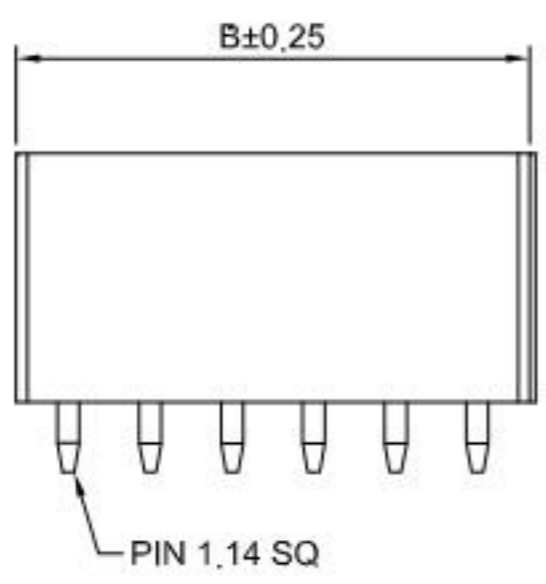
4. Finish:  
 (blank): Tin over Nickel  
 G: Gold over Nickel(1u")  
 G3: Gold over Nickel(3u")  
 G15: Gold over Nickel(15u")  
 G30: Gold over Nickel(30u")



**SPECIFICATIONS:**  
 Current Rating: 9A AC,DC  
 Voltage Rating: 600V AC,DC  
 Temperature Range: -25°C ~ +85°C  
 Contact Resistance: 10mΩ Max  
 Insulation Resistance: 1000MΩ Min  
 Withstanding Voltage: 1500V AC/minute  
 Pin Material: Brass/Tin over Nickel  
 Material: Nylon 66, UL94V-2 (Natural)

**Ordering Information & Dimensions**

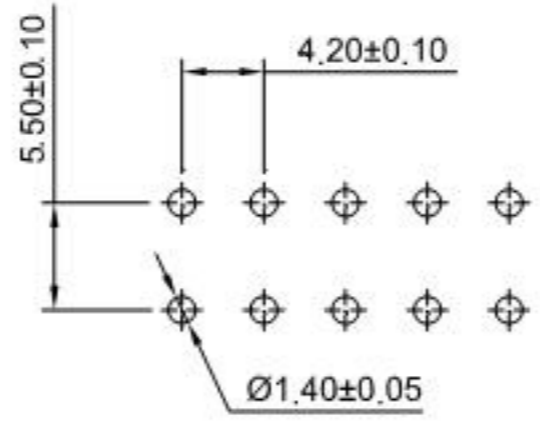
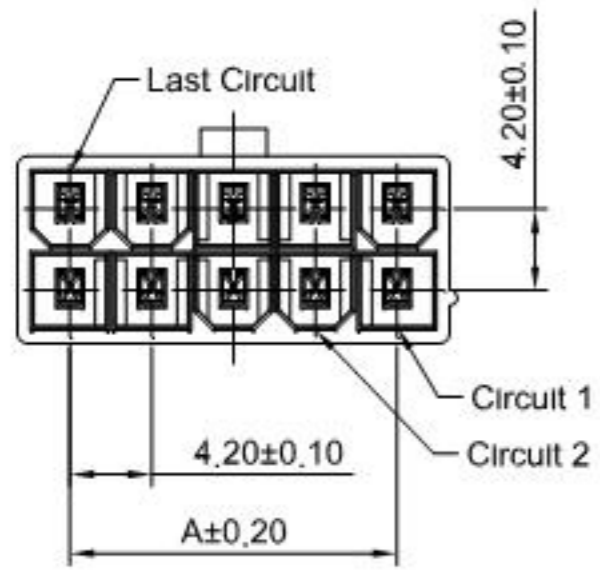
Circuits	Dimensions(mm)		Circuits	Dimensions(mm)	
	A	B		A	B
2x1P	---	5.40	2x7P	25.20	30.60
2x2P	4.20	9.60	2x8P	29.40	34.80
2x3P	8.40	13.80	2x9P	33.60	39.00
2x4P	12.60	18.00	2x10P	37.80	43.20
2x5P	16.80	22.20	2x11P	42.00	47.40
2x6P	21.00	26.40	2x12P	46.20	51.60



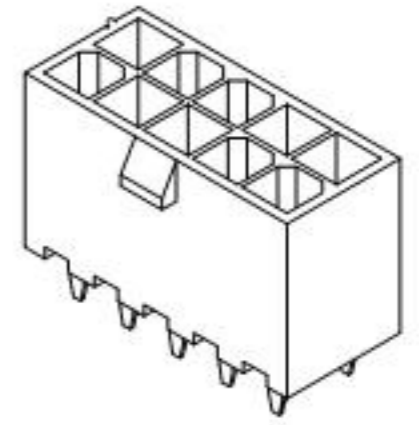
**HDGC** 深圳市华德共创科技有限公司  
 SHENZHEN HUADE CO-CREATE TECHNOLOGY CO., LTD  
 TEL: 0755-27129737 FAX: 0755-29940187

-TOLERANCES- UNLESS OTHERWISE SPECIFIED 公差参数表				TITLE: 4.20mm Pitch 产品名称: 180° Wafer	
X.X	±0.30	X.X°	±3°	APPD: 核准:	XIE
X.XX	±0.30	X.XX°	±2°	CHECK: 校对:	WANG
X.XXX	±0.10	X.XXX°	±1°	DRAW: 绘图:	WANG
PART NO: 产品编号:		HDGC4201WV-2xXP		DATE	2012-08-28
SCALE		2:1		UNIT	mm
CODE NUMBER		A008			

修订 REV	标记 MARK	修改摘要 REVISION DESCRIPTION	签名 SIGNATURE	日期 DATE
A0		NEW RELEASE	WANG	2012-08-28



P.C.B LAYOUT



Ordering Information:  
 HDGC4201WVA-2xXP - <sup>??</sup>/<sub>2</sub> - <sup>??</sup>/<sub>3</sub> - <sup>??</sup>/<sub>4</sub>

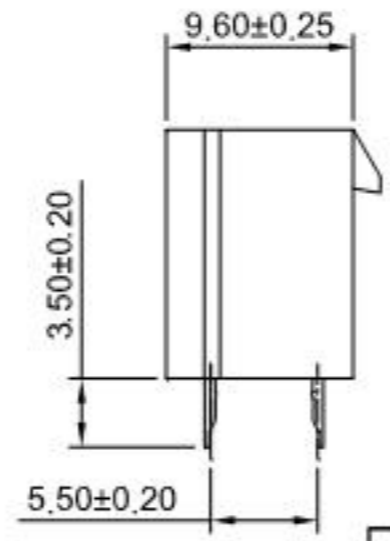
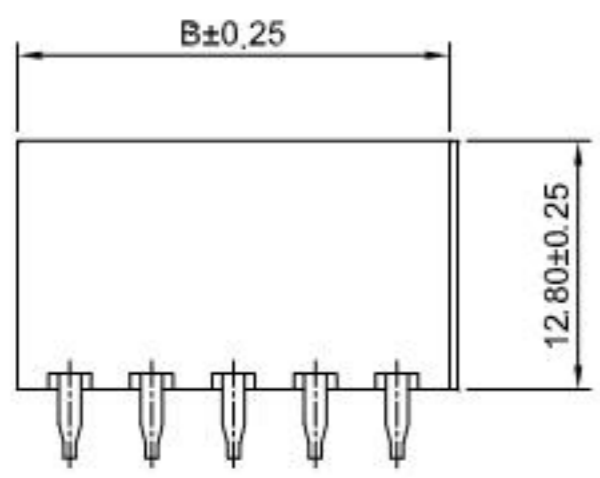
- Part No.
- Material:  
 (blank): Nylon 66 UL94V-2  
 V0: Nylon 66 UL94V-0  
 GWT: Nylon 66 UL94V-0, GWT 750°C
- Color:  
 (blank): Natural  
 WH: White  
 BK: Black  
 RD: Red  
 YL: Yellow  
 BL: Blue
- Finish:  
 (blank): Tin over Nickel  
 G: Gold over Nickel(1u")  
 G3: Gold over Nickel(3u")  
 G15: Gold over Nickel(15u")  
 G30: Gold over Nickel(30u")

SPECIFICATIONS:

Current Rating: 9A AC,DC  
 Voltage Rating: 600V AC,DC  
 Temperature Range: -25°C ~ +85°C  
 Contact Resistance: 10mΩ Max  
 Insulation Resistance: 1000MΩ Min  
 Withstanding Voltage: 1500V AC/minute  
 Pin Material: Brass/Tin over Nickel  
 Material: Nylon 66, UL 94V-2 (Natural)

Ordering Information & Dimensions

Circuits	Dimensions(mm)		Circuits	Dimensions(mm)	
	A	B		A	B
2x1P	---	5.40	2x7P	25.20	30.60
2x2P	4.20	9.60	2x8P	29.40	34.80
2x3P	8.40	13.80	2x9P	33.60	39.00
2x4P	12.60	18.00	2x10P	37.80	43.20
2x5P	16.80	22.20	2x11P	42.00	47.40
2x6P	21.00	26.40	2x12P	46.20	51.60



深圳市华德共创科技有限公司

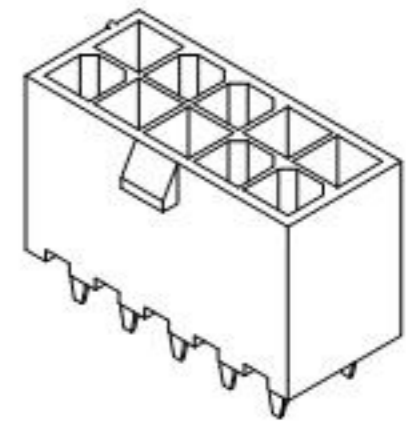
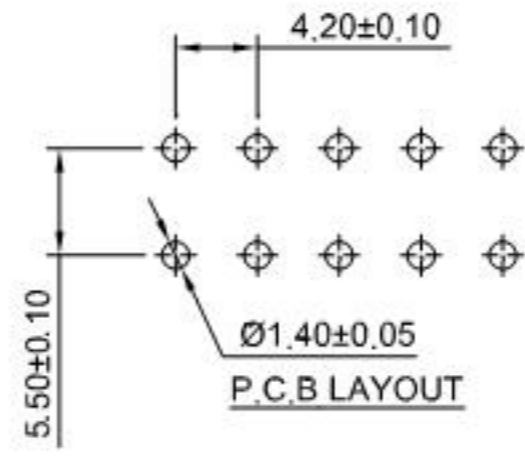
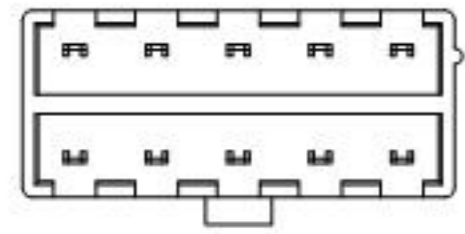
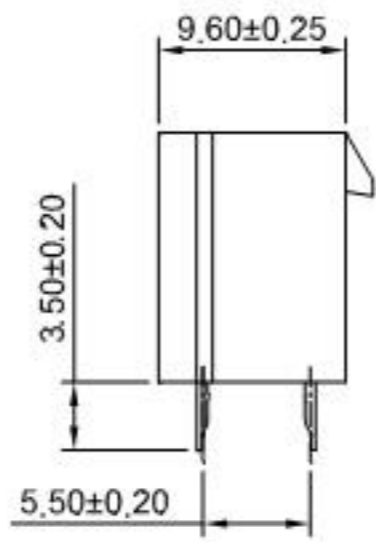
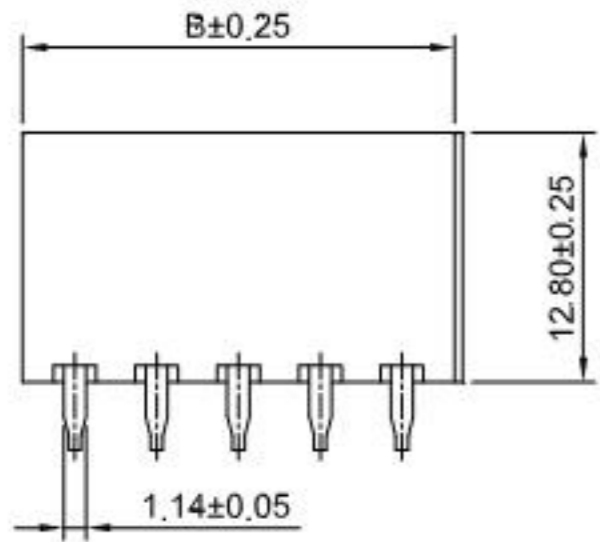
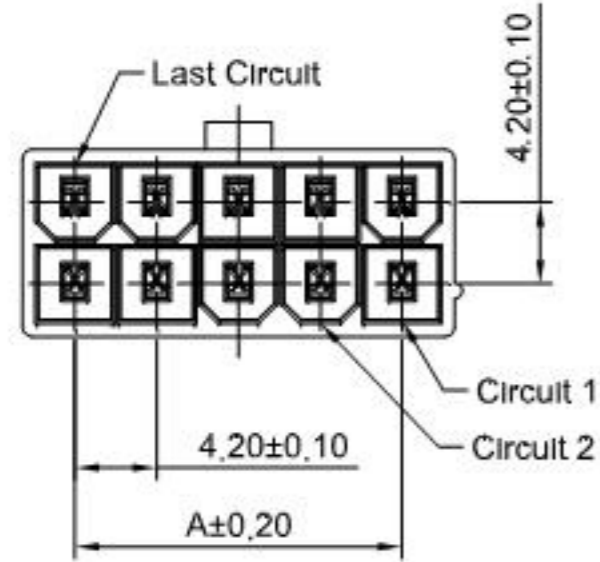
SHENZHEN HUADE CO-CREATE TECHNOLOGY CO., LTD  
 TEL: 0755-27129737 FAX: 0755-29940187

-TOLERANCES- UNLESS OTHERWISE SPECIFIED 公差参数表				TITLE: 4.20mm Pitch 产品名称: 180° Wafer	
X.X	±0.30	X.X°	±3°	APPD: 核准:	XIE
X.XX	±0.30	X.XX°	±2°	CHECK: 校对:	WANG
X.XXX	±0.10	X.XXX°	±1°	DRAW: 绘图:	WANG
PART NO: 产品编号:		DATE		SCALE	UNIT
HDGC4201WVA-2xXP		2012-08-28		2:1	mm
CODE NUMBER				A008	

修订 REV	标记 MARK	修改摘要 REVISION DESCRIPTION	签名 SIGNATURE	日期 DATE
A0		NEW RELEASE	WANG	2012-08-28

Ordering Information:  
 HDGC4201WVD-2xXP -  $\frac{xxx}{1}$  -  $\frac{xx}{2}$  -  $\frac{xxx}{3}$  -  $\frac{xxx}{4}$

- Part No.
- Material:  
 (blank): Nylon 66 UL94V-2  
 V0: Nylon 66 UL94V-0  
 GWT: Nylon 66 UL94V-0, GWT 750°C
- Color:  
 (blank): Natural  
 BK: Black  
 RD: Red  
 YL: Yellow  
 BL: Blue
- Finish:  
 (blank): Tin over Nickel  
 G: Gold over Nickel(1u")  
 G30: Gold over Nickel(30u")



**SPECIFICATIONS:**  
 Current Rating: 9A AC,DC  
 Voltage Rating: 600V AC,DC  
 Temperature Range: -25°C ~ +85°C  
 Contact Resistance: 10mΩ Max  
 Insulation Resistance: 1000MΩ Min  
 Withstanding Voltage: 1500V AC/minute  
 Pin Material: Brass/Tin over Nickel  
 Material: Nylon 66, UL94V-2 (Natural)

Ordering Information & Dimensions

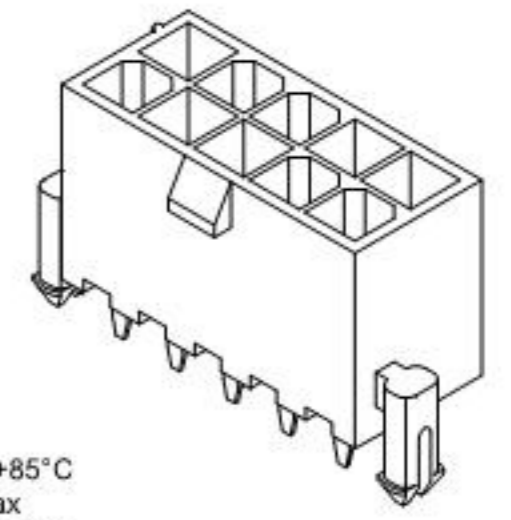
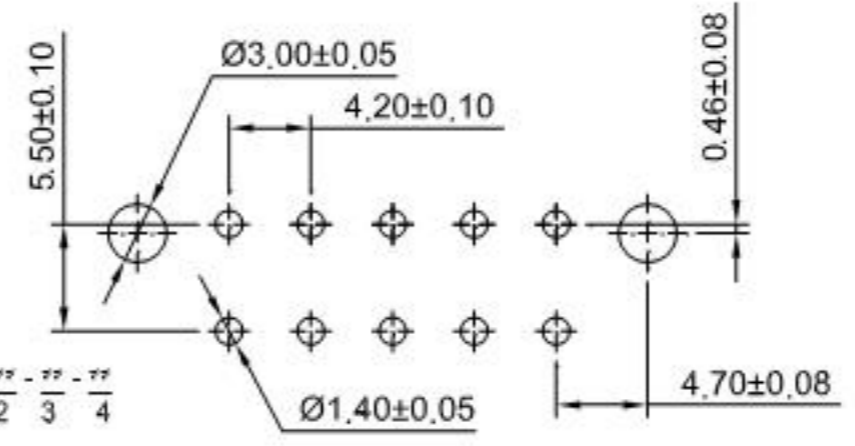
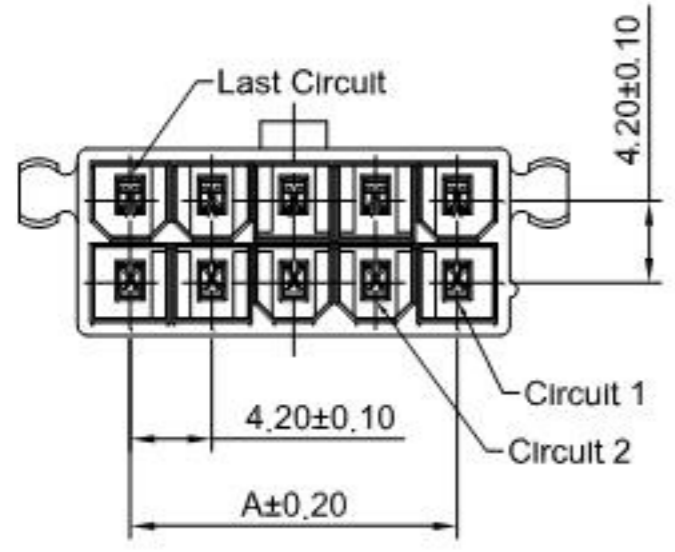
Circuits	Dimensions(mm)		Circuits	Dimensions(mm)	
	A	B		A	B
2x1P	---	5.40	2x7P	25.20	30.60
2x2P	4.20	9.60	2x8P	29.40	34.80
2x3P	8.40	13.80	2x9P	33.60	39.00
2x4P	12.60	18.00	2x10P	37.80	43.20
2x5P	16.80	22.20	2x11P	42.00	47.40
2x6P	21.00	26.40	2x12P	46.20	51.60



深圳市华德共创科技有限公司  
 SHENZHEN HUADE CO-CREATE TECHNOLOGY CO., LTD  
 TEL: 0755-27129737 FAX: 0755-29940187

-TOLERANCES- UNLESS OTHERWISE SPECIFIED 公差参数表				TITLE: 4.20mm Pitch 产品名称: 180° Wafer	
X.X	±0.30	X.X°	±3°	APPD: 核准:	XIE
X.XX	±0.30	X.XX°	±2°	CHECK: 校对:	WANG
X.XXX	±0.10	X.XXX°	±1°	DRAW: 绘图:	WANG
PART NO: 产品编号:			DATE	SCALE	UNIT
HDGC4201WVD-2xXP			2012-08-28	2:1	mm
CODE NUMBER			A008		

修订 REV	标记 MARK	修改摘要 REVISION DESCRIPTION	签名 SIGNATURE	日期 DATE
A0		NEW RELEASE	WANG	2012-08-28



Ordering Information:  
 HDGC4201WVA-F-2xXP - <sup>1</sup>/<sub>2</sub> - <sup>2</sup>/<sub>3</sub> - <sup>3</sup>/<sub>4</sub>

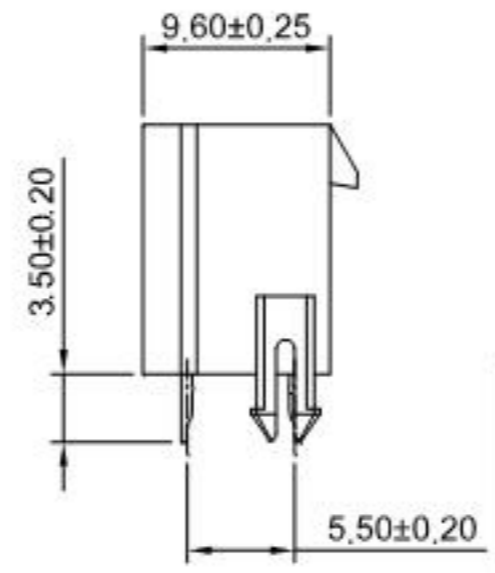
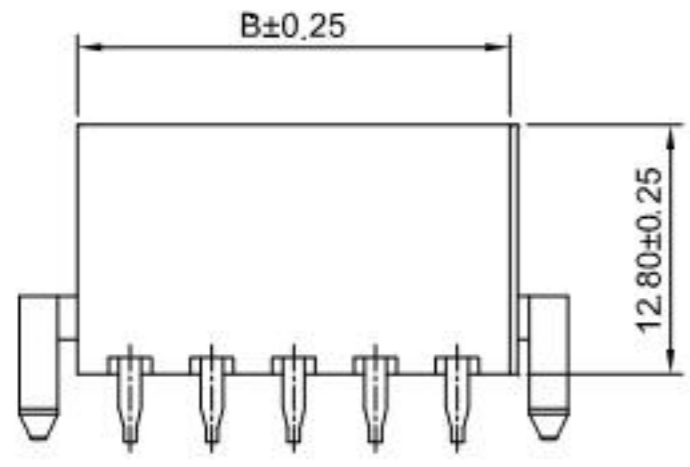
1. Part No.  
 2. Material:  
 (blank): Nylon 66 UL94V-2  
 V0: Nylon 66 UL94V-0  
 GWT: Nylon 66 UL94V-0, GWT 750°C  
 3. Color:  
 (blank): Natural  
 WH: White  
 BK: Black  
 RD: Red  
 YL: Yellow  
 BL: Blue  
 4. Finish:  
 (blank): Tin over Nickel  
 G: Gold over Nickel(1u")  
 G3: Gold over Nickel(3u")  
 G15: Gold over Nickel(15u")  
 G30: Gold over Nickel(30u")

P.C.B LAYOUT

SPECIFICATIONS:  
 Current Rating: 9A AC,DC  
 Voltage Rating: 600V AC,DC  
 Temperature Range: -25°C ~ +85°C  
 Contact Resistance: 10mΩ Max  
 Insulation Resistance: 1000MΩ Min  
 Withstanding Voltage: 1500V AC/minute  
 Pin Material: Brass/Tin over Nickel  
 Material: Nylon 66, UL94V-2(Natural)

Ordering Information & Dimensions

Circuits	Dimensions(mm)		Circuits	Dimensions(mm)	
	A	B		A	B
2x1P	---	5.40	2x8P	29.40	34.80
2x2P	4.20	9.60	2x9P	33.60	39.00
2x3P	8.40	13.80	2x10P	37.80	43.20
2x4P	12.60	18.00	2x11P	42.00	47.40
2x5P	16.80	22.20	2x12P	46.20	51.60
2x6P	21.00	26.40	2x18P	71.40	76.80
2x7P	25.20	30.60			

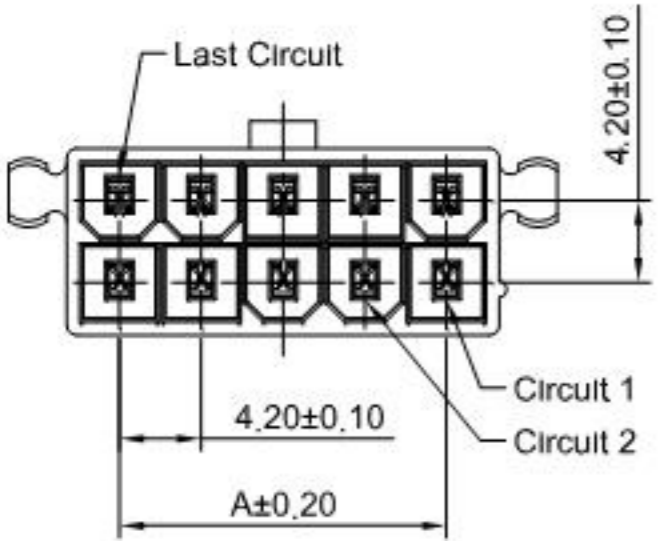
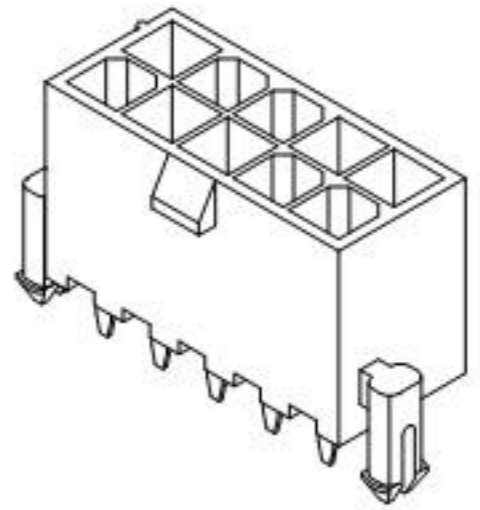
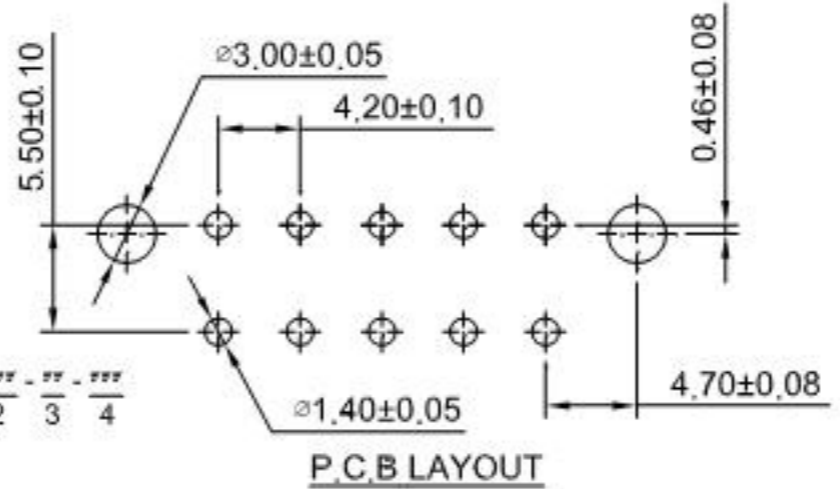


**深圳市华德共创科技有限公司**  
 SHENZHEN HUADE CO-CREATE TECHNOLOGY CO., LTD  
 TEL: 0755-27129737 FAX: 0755-29940187

-TOLERANCES- UNLESS OTHERWISE SPECIFIED 公差参数表		TITLE: 产品名称: 4.20mm Pitch 180° Wafer	
X.X	±0.30	X.X°	±3°
X.XX	±0.30	X.XX°	±2°
X.XXX	±0.10	X.XXX°	±1°

APPD: 核准:	XIE	PART NO: 产品编号:	HDGC4201WVA-F-2xXP		
CHECK: 校对:	WANG	DATE	SCALE	UNIT	CODE NUMBER
DRAW: 绘图:	WANG	2012-08-28	2:1	mm	A008

修订 REV	标记 MARK	修改摘要 REVISION DESCRIPTION	签名 SIGNATURE	日期 DATE
A0		NEW RELEASE	WANG	2012-08-28



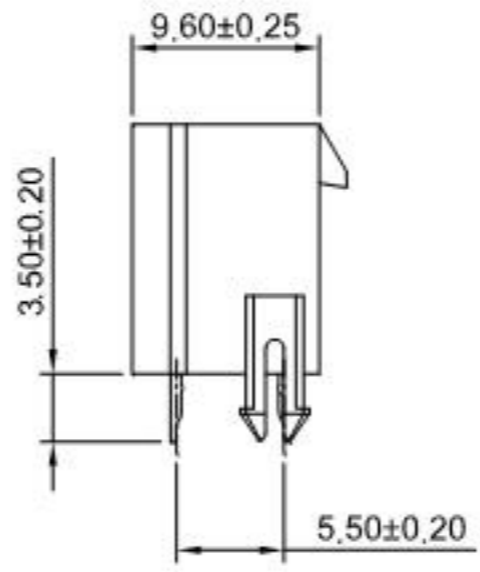
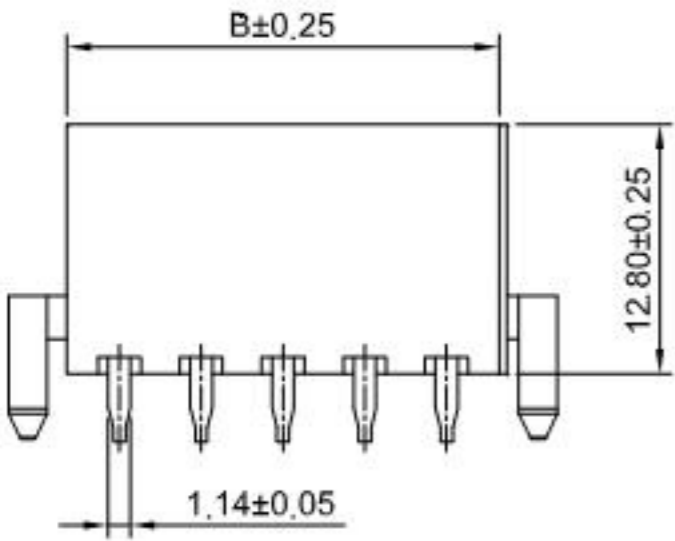
Ordering Information:  
 HDGC4201WVD-F-2xXP - --- - --- - ---  
 1 2 3 4

- Part No.
- Material:  
 (blank): Nylon 66, UL94V-2  
 VQ: Nylon 66, UL94V-0  
 GWT: Nylon 66, UL94V-0, GWT 750°C
- Color:  
 (blank): Natural  
 WH: White  
 BK: Black  
 RD: Red  
 YL: Yellow  
 BL: Blue
- Finish:  
 (blank): Tin over Nickel  
 G: Gold over Nickel(1u")  
 G3: Gold over Nickel(3u")  
 G15: Gold over Nickel(15u")  
 G30: Gold over Nickel(30u")

**SPECIFICATIONS:**  
 Current Rating: 11A AC,DC(Max)(Maximum current up to 11A when using the HDGC4201F-TCA-HH series terminal)  
 Voltage Rating: 600V AC,DC  
 Temperature Range: -25°C ~ +85°C  
 Contact Resistance: 10mΩ Max  
 Insulation Resistance: 1000MΩ Min  
 Withstanding Voltage: 1500V AC/minute  
 Pin Material: Brass/Tin over Nickel  
 Material: Nylon 66, UL94V-2(Natural)

Ordering Information & Dimensions

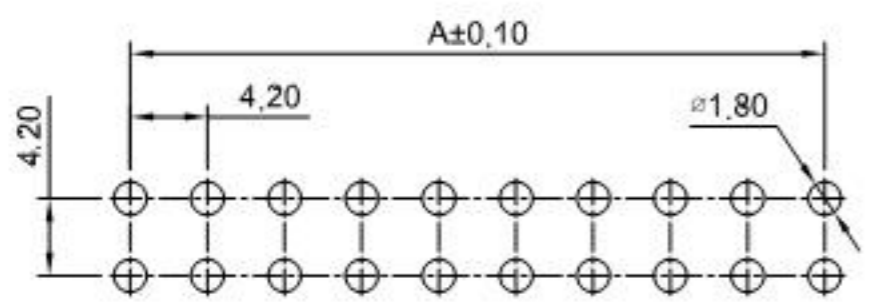
Circuits	Dimensions(mm)		Circuits	Dimensions(mm)	
	A	B		A	B
2x1P	---	5.40	2x8P	29.40	34.80
2x2P	4.20	9.60	2x9P	33.60	39.00
2x3P	8.40	13.80	2x10P	37.80	43.20
2x4P	12.60	18.00	2x11P	42.00	47.40
2x5P	16.80	22.20	2x12P	46.20	51.60
2x6P	21.00	26.40	2x18P	71.40	76.80
2x7P	25.20	30.60			



**HDGC** 深圳市华德共创科技有限公司  
 SHENZHEN HUADE CO-CREATE TECHNOLOGY CO., LTD  
 TEL: 0755-27129737 FAX: 0755-29940187

-TOLERANCES- UNLESS OTHERWISE SPECIFIED 公差参数表				TITLE: 4.20mm Pitch 产品名称: 180° Wafer				
X.X	±0.30	X.X°	±3°	APPD: 核准:	XIE			
X.XX	±0.30	X.XX°	±2°	CHECK: 校对:	WANG			
X.XXX	±0.10	X.XXX°	±1°	DRAW: 绘图:	WANG			
				DATE	SCALE	UNIT	CODE NUMBER	
				2012-08-28	2:1	mm	A008	

修订 REV	标记 MARK	修改摘要 REVISION DESCRIPTION	签名 SIGNATURE	日期 DATE
A0		NEW RELEASE	WANG	2019-03-28



P.C.B LAYOUT  
TOLERANCE:±0.05

Ordering Information:  
HDGC4201WVG-2xXP -  $\frac{xx}{2}$  -  $\frac{xx}{3}$  -  $\frac{xxx}{4}$

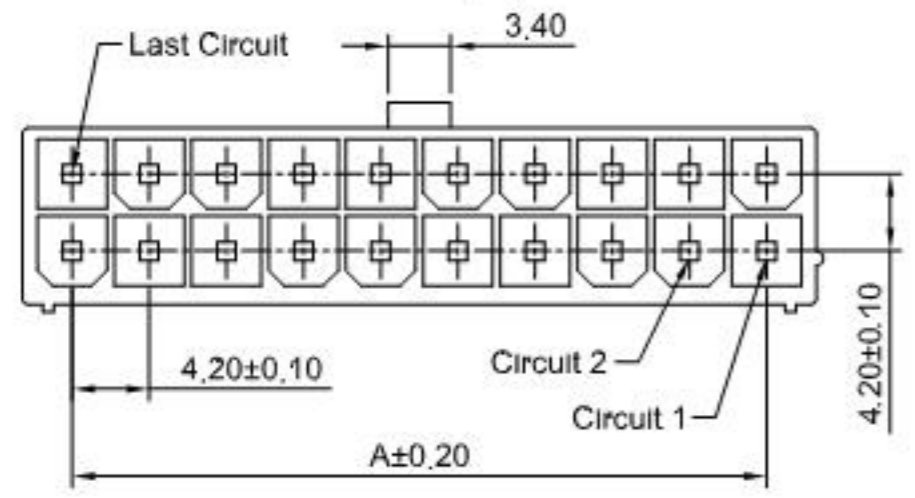
- 1.Part No.
- 2.Size D:  
(blank):3.66mm  
D45:4.46mm  
D53:5.26mm  
D71:7.06mm
- 3.Material:  
(blank):LCP,UL94V-0(Black)  
6T:Nylon 6T,UL94V-0(Natural)  
9T:Nylon 9T,UL94V-0(Natural)
- 4.Finish:  
(blank):Tin over Nickel  
G:Gold over Nickel  
G30:Gold over Nickel(Au:30u\*)

SPECIFICATIONS:

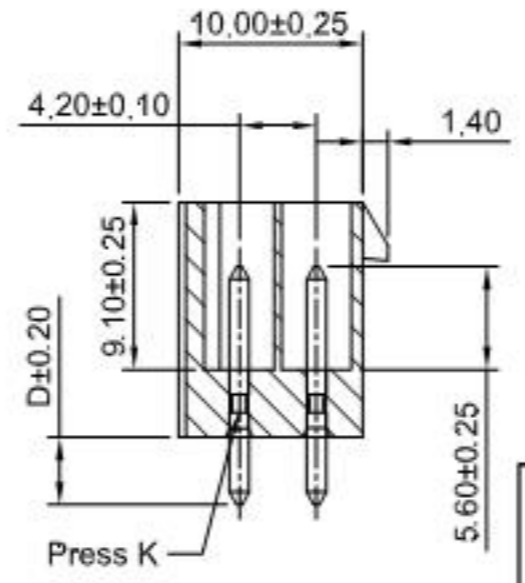
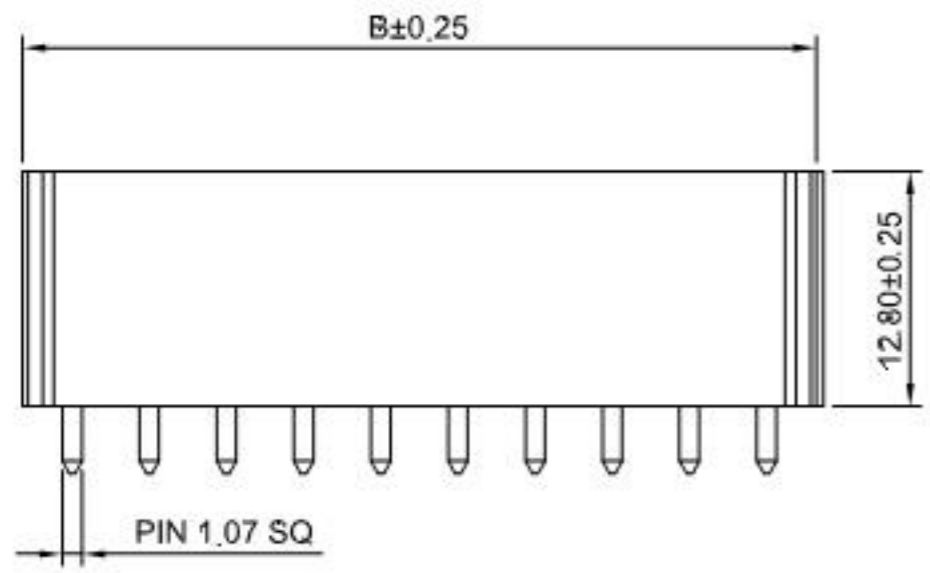
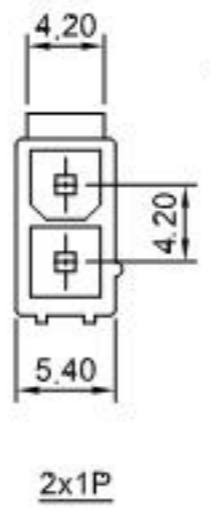
Current Rating: 13A AC,DC  
Voltage Rating: 600V AC,DC  
Temperature Range: -25°C ~ +85°C  
Contact Resistance: 10mΩ Max.  
Insulation Resistance: 1000MΩ Min.  
Withstanding Voltage: 1500V AC/minute  
Pin Material: Brass/Tin over Nickel  
Material: LCP,UL94V-0(Black)

Ordering Information & Dimensions

Part NO.	Dimensions(mm)	
	A	B
HDGC4201WVG-2x1P	---	5.40
HDGC4201WVG-2x2P	4.20	9.60
HDGC4201WVG-2x3P	8.40	13.80
HDGC4201WVG-2x4P	12.60	18.00
HDGC4201WVG-2x5P	16.80	22.20
HDGC4201WVG-2x6P	21.00	26.40
HDGC4201WVG-2x7P	25.20	30.60
HDGC4201WVG-2x8P	29.40	34.80
HDGC4201WVG-2x9P	33.60	39.00
HDGC4201WVG-2x10P	37.80	43.20
HDGC4201WVG-2x11P	42.00	47.40
HDGC4201WVG-2x12P	46.20	51.60



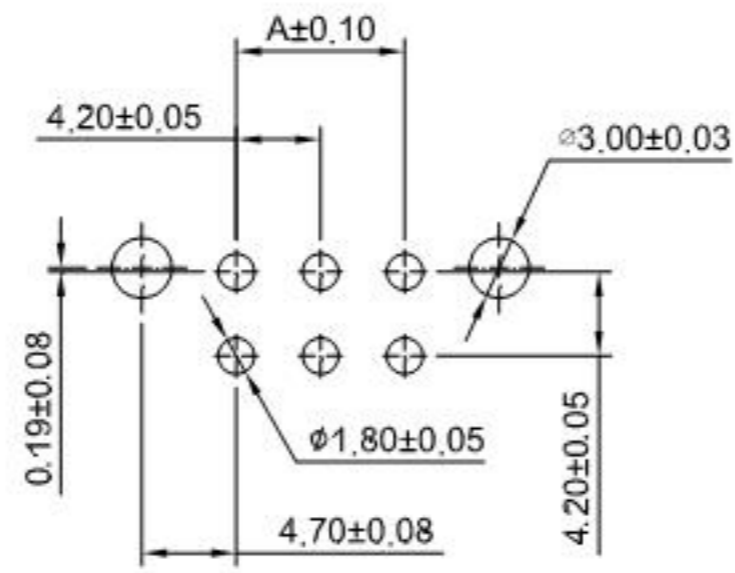
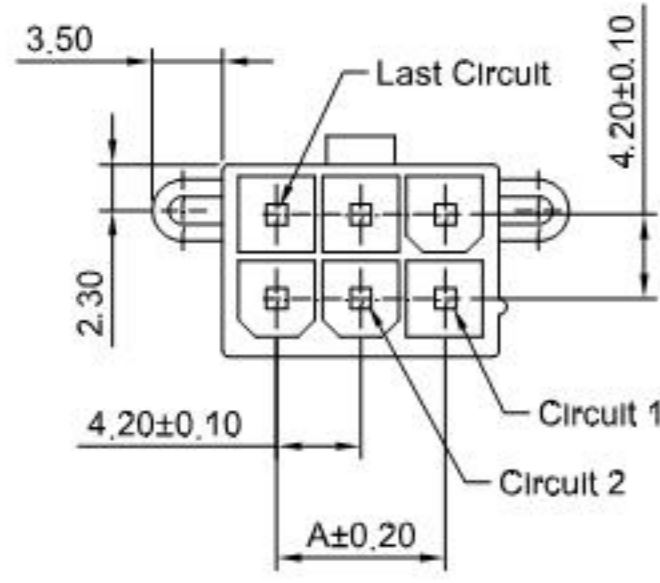
2x2P~2x12P



**HDGC** 深圳市华德共创科技有限公司  
SHENZHEN HUADE CO-CREATE TECHNOLOGY CO., LTD  
TEL: 0755-27129737 FAX: 0755-29940187

-TOLERANCES- UNLESS OTHERWISE SPECIFIED 公差参数表				TITLE: 4.20mm Pitch 产品名称: 180° Wafer	
X.X	±0.30	X.X°	±3°	APPD: 核准:	XIE
X.XX	±0.30	X.XX°	±2°	CHECK: 校对:	WANG
X.XXX	±0.10	X.XXX°	±1°	DRAW: 绘图:	WANG
PART NO: 产品编号:		DATE		SCALE	UNIT
HDGC4201WVG-2xXP		2019-03-28		2:1	mm
CODE NUMBER		A008			

修订 REV	标记 MARK	修改摘要 REVISION DESCRIPTION	签名 SIGNATURE	日期 DATE
A0		NEW RELEASE	WANG	2019-03-28



Ordering Information:  
 HDGC4201WVG-F-2xXP -  $\frac{**}{2} - \frac{**}{3}$

- 1. Part No.
- 2. Material:  
 (blank): LCP, UL94V-0(Black)  
 6T: Nylon 6T, UL94V-0(Natural)  
 9T: Nylon 9T, UL94V-0(Natural)
- 3. Size D:  
 (blank): D=3.66mm  
 D45: D=4.46mm  
 D53: D=5.26mm  
 D71: D=7.06mm
- 4. Finish:  
 (blank): Tin over Nickel  
 G: Gold over Nickel  
 G30: Gold over Nickel(Au=30u")

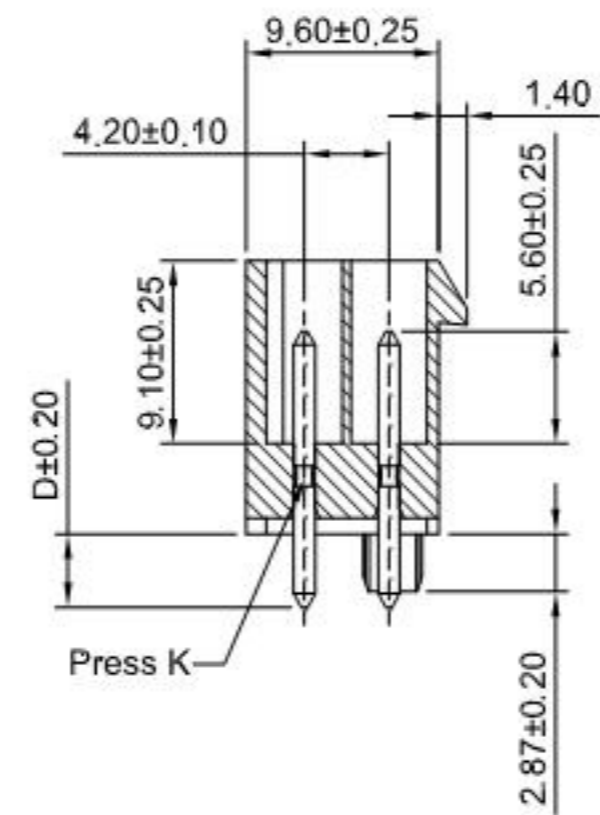
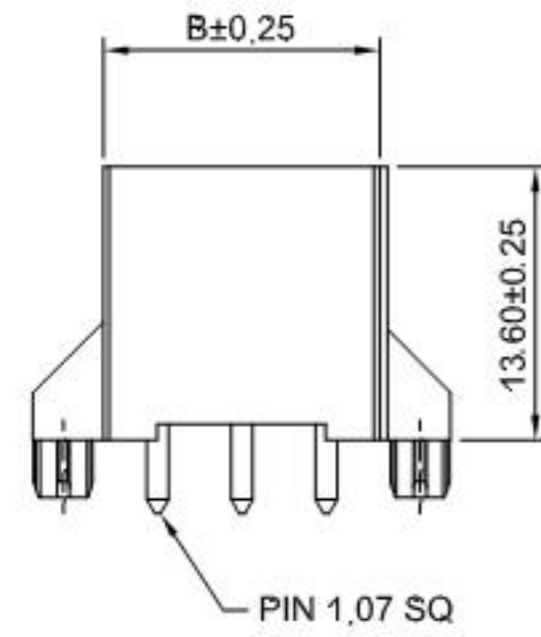
**SPECIFICATIONS:**

Current Rating: 13A AC,DC  
 Voltage Rating: 600V AC,DC  
 Temperature Range: -25°C ~ +85°C  
 Contact Resistance: 10mΩ Max.  
 Insulation Resistance: 1000MΩ Min.  
 Withstanding Voltage: 1500V AC/minute  
 Pin Material: Brass/Tin over Nickel  
 Material: LCP, UL94V-0(Black)

Ordering Information & Dimensions

Part NO.	Dimensions(mm)	
	A	B
HDGC4201WVG-F-2x1P	---	5.40
HDGC4201WVG-F-2x2P	4.20	9.60
HDGC4201WVG-F-2x3P	8.40	13.80
HDGC4201WVG-F-2x4P	12.60	18.00
HDGC4201WVG-F-2x5P	16.80	22.20
HDGC4201WVG-F-2x6P	21.00	26.40
HDGC4201WVG-F-2x7P	25.20	30.60
HDGC4201WVG-F-2x8P	29.40	34.80
HDGC4201WVG-F-2x9P	33.60	39.00
HDGC4201WVG-F-2x10P	37.80	43.20
HDGC4201WVG-F-2x11P	42.00	47.40
HDGC4201WVG-F-2x12P	46.20	51.60

**P.C.B LAYOUT**



深圳市华德共创科技有限公司

SHENZHEN HUADE CO-CREATE TECHNOLOGY CO., LTD

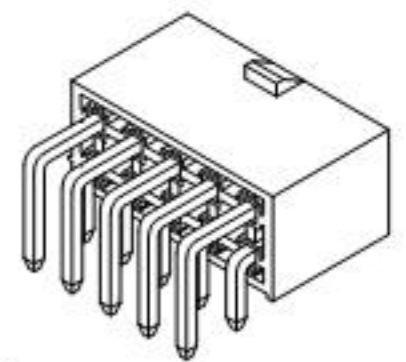
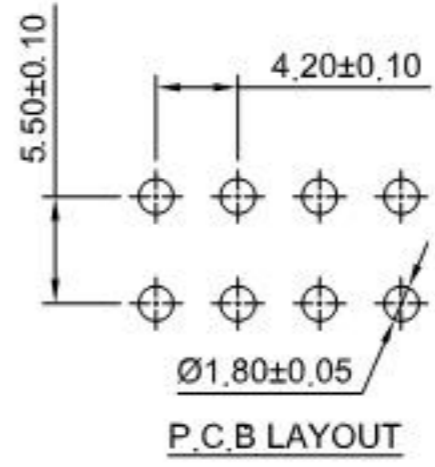
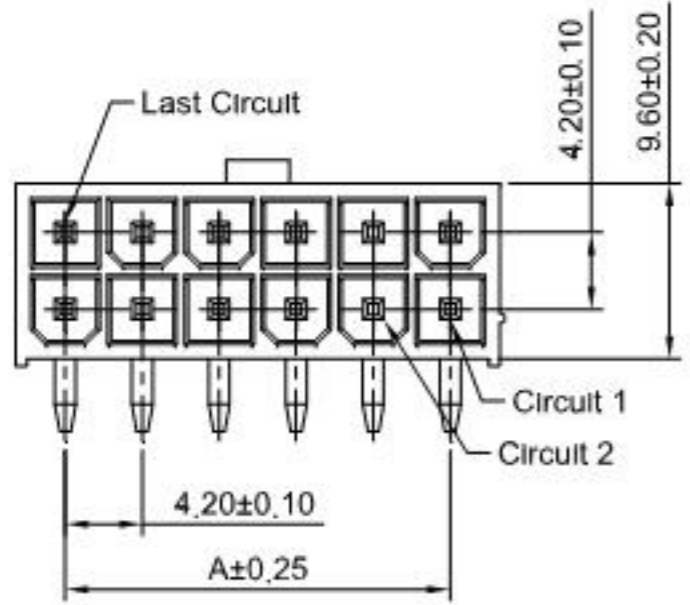
TEL: 0755-27129737 FAX: 0755-29940187

-TOLERANCES- UNLESS OTHERWISE SPECIFIED 公差参数表				TITLE: 4.20mm Pitch 产品名称: 180° Wafer	
X.X	±0.30	X.X°	±3°	APPD: 核准:	XIE
X.XX	±0.30	X.XX°	±2°	CHECK: 校对:	WANG
X.XXX	±0.10	X.XXX°	±1°	DRAW: 绘图:	WANG
PART NO: 产品编号:		DATE		SCALE	UNIT
HDGC4201WVG-F-2xXP		2019-03-28		2:1	mm
CODE NUMBER				A008	

修订 REV	标记 MARK	修改摘要 REVISION DESCRIPTION	签名 SIGNATURE	日期 DATE
A0		NEW RELEASE	WANG	2012-08-28

Ordering Information:  
 HDGC4201WR-2xXP -  $\frac{**}{1}$  -  $\frac{**}{2}$  -  $\frac{**}{3}$  -  $\frac{**}{4}$  -  $\frac{**}{5}$

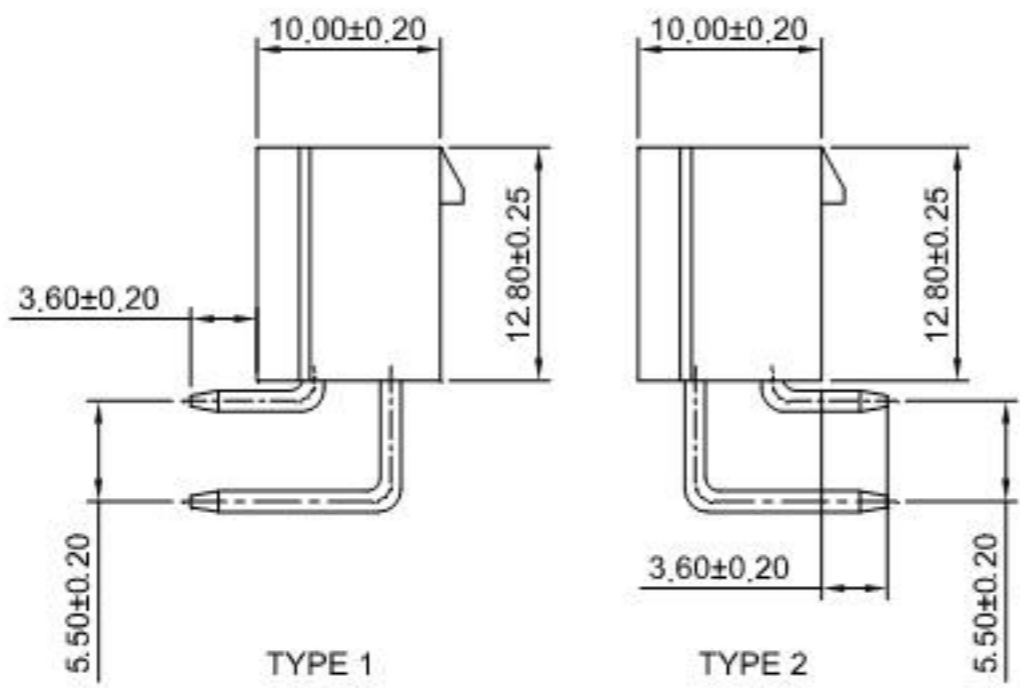
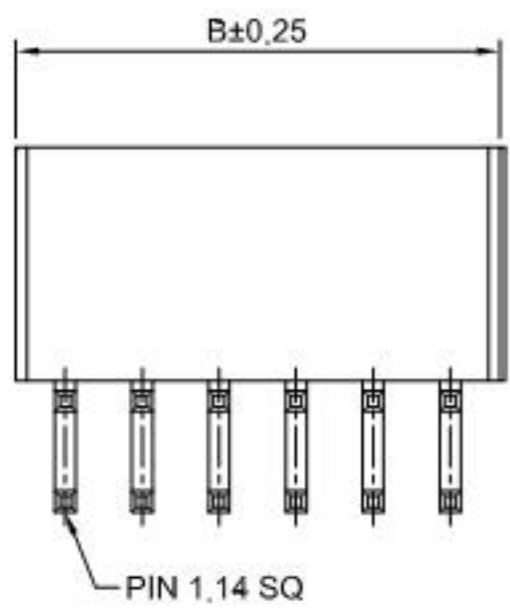
- Part No.
- Style:  
(blank):TYPE 1  
2:TYPE 2
- Material:  
(blank):Nylon 66 UL94V-2  
V0:Nylon 66 UL94V-0  
GWT:Nylon 66 UL94V-0,GWT 750°C
- Color:  
(blank):Natural  
WH:White  
BK:Black  
RD:Red  
YL:Yellow  
BL:Blue
- Finish:  
(blank):Tin over Nickel  
G:Gold over Nickel(1u")  
G3:Gold over Nickel(3u")  
G15:Gold over Nickel(15u")  
G30:Gold over Nickel(30u")



**SPECIFICATIONS:**  
 Current Rating: 9A AC,DC  
 Voltage Rating: 600V AC,DC  
 Temperature Range: -25°C ~ +85°C  
 Contact Resistance: 10mΩ Max  
 Insulation Resistance: 1000MΩ Min  
 Withstanding Voltage: 1500V AC/minute  
 Pin Material: Brass/Tin over Nickel  
 Material: Nylon 66,UL94V-2(Natural)

Ordering Information & Dimensions

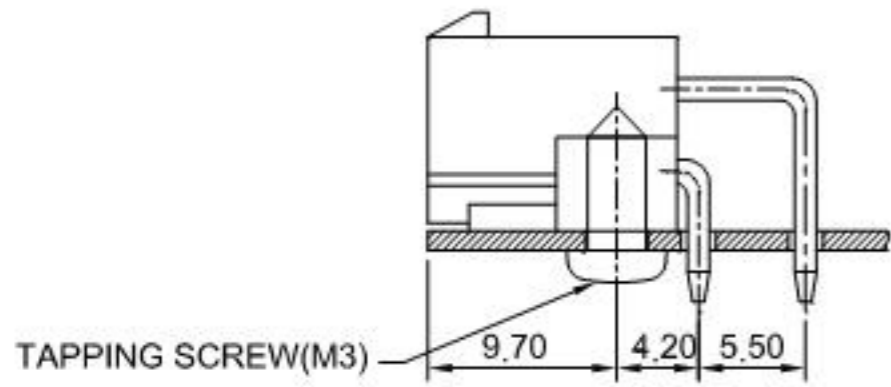
Circuits	Dimensions(mm)		Circuits	Dimensions(mm)	
	A	B		A	B
2x1P	---	5.40	2x7P	25.20	30.60
2x2P	4.20	9.60	2x8P	29.40	34.80
2x3P	8.40	13.80	2x9P	33.60	39.00
2x4P	12.60	18.00	2x10P	37.80	43.20
2x5P	16.80	22.20	2x11P	42.00	47.40
2x6P	21.00	26.40	2x12P	46.20	51.60



**HDGC** 深圳市华德共创科技有限公司  
 SHENZHEN HUADE CO-CREATE TECHNOLOGY CO.,LTD  
 TEL: 0755-27129737 FAX: 0755-29940187

-TOLERANCES- UNLESS OTHERWISE SPECIFIED 公差参数表				TITLE: 产品名称: 4.20mm Pitch 90° Wafer	
X.X	±0.30	X.X°	±3°	APPD: 核准:	XIE
X.XX	±0.30	X.XX°	±2°	CHECK: 校对:	WANG
X.XXX	±0.10	X.XXX°	±1°	DRAW: 绘图:	WANG
PART NO: 产品编号: HDGC4201WR-2xXP		DATE	SCALE	UNIT	CODE NUMBER
		2012-08-28	2:1	mm	A008

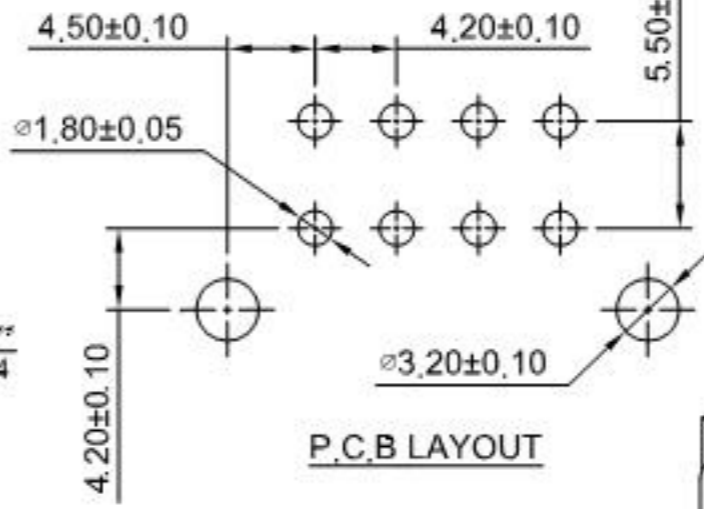
修订 REV	标记 MARK	修改摘要 REVISION DESCRIPTION	签名 SIGNATURE	日期 DATE
A0		NEW RELEASE	WANG	2012-08-28



RECOMMENDED INSTALLATION

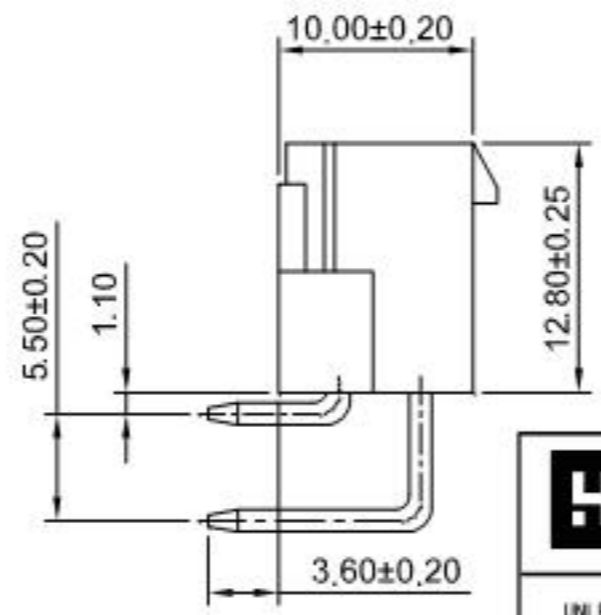
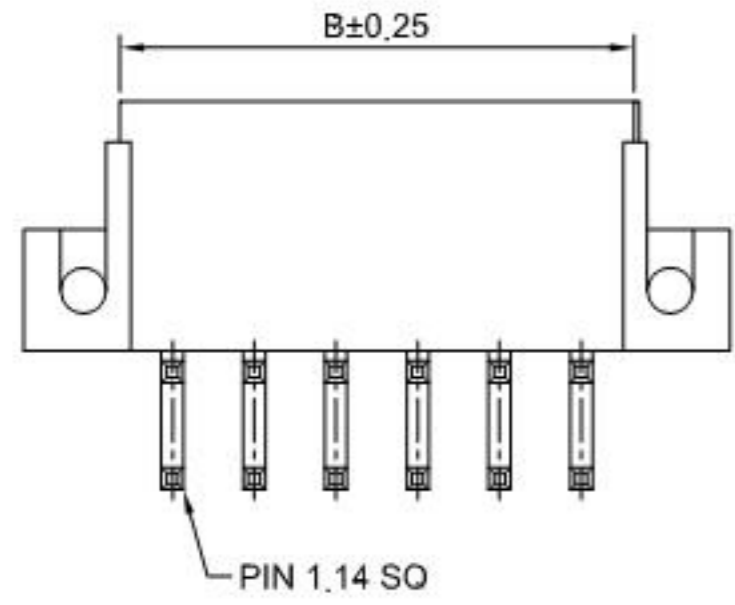
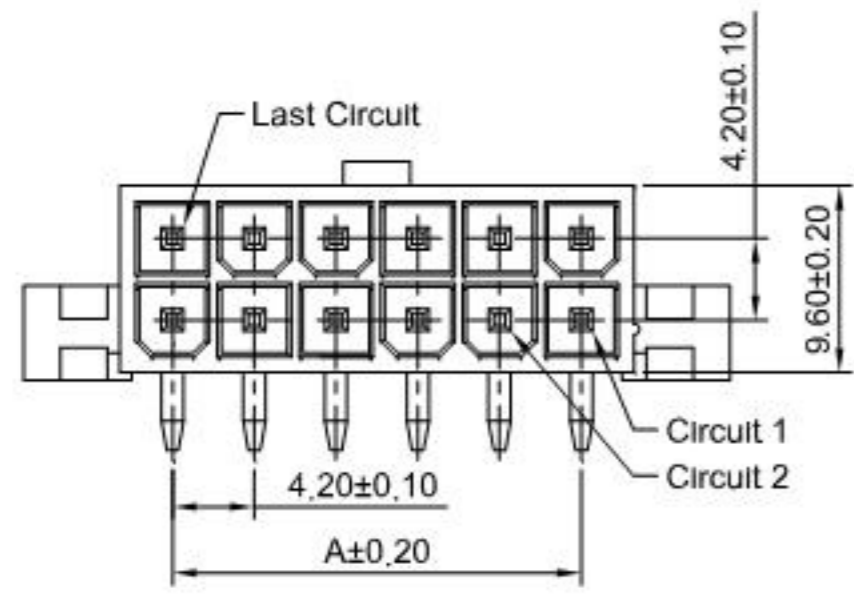
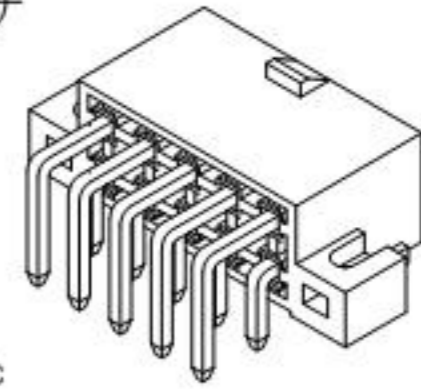
Ordering Information:  
 HDGC4201WR-E-2xXP - <sup>\*\*\*</sup>/<sub>2</sub> - <sup>\*\*\*</sup>/<sub>3</sub> - <sup>\*\*\*</sup>/<sub>4</sub>

- Part No.
- Material:  
 (blank): Nylon 66, UL94V-2  
 V0: Nylon 66, UL94V-0  
 GWT: Nylon 66, UL94V-0, GWT 750°C
- Color:  
 (blank): Natural  
 WH: White  
 BK: Black  
 RD: Red  
 YL: Yellow  
 BL: Blue
- Finish:  
 (blank): Tin over Nickel  
 G: Gold over Nickel(1u")  
 G3: Gold over Nickel(3u")  
 G15: Gold over Nickel(15u")  
 G30: Gold over Nickel(30u")



P.C.B LAYOUT

- SPECIFICATIONS:
- Current Rating: 9A AC, DC
  - Voltage Rating: 600V AC, DC
  - Temperature Range: -25°C ~ +85°C
  - Contact Resistance: 10mΩ Max
  - Insulation Resistance: 1000MΩ Min
  - Withstanding Voltage: 1500V AC/minute
  - Pin Material: Brass/Tin over Nickel
  - Material: Nylon 66, UL94V-2(Natural)



Ordering Information & Dimensions

Circuits	Dimensions(mm)		Circuits	Dimensions(mm)	
	A	B		A	B
2x1P	---	5.40	2x7P	25.20	30.60
2x2P	4.20	9.60	2x8P	29.40	34.80
2x3P	8.40	13.80	2x9P	33.60	39.00
2x4P	12.60	18.00	2x10P	37.80	43.20
2x5P	16.80	22.20	2x11P	42.00	47.40
2x6P	21.00	26.40	2x12P	46.20	51.60



深圳市华德共创科技有限公司  
 SHENZHEN HUADE CO-CREATE TECHNOLOGY CO., LTD  
 TEL: 0755-27129737 FAX: 0755-29940187

-TOLERANCES- UNLESS OTHERWISE SPECIFIED 公差参数表				TITLE: 产品名称: 4.20mm Pitch 90° Wafer	
X.X	±0.30	X.X°	±3°	APPD: 核准:	XIE
X.XX	±0.30	X.XX°	±2°	CHECK: 校对:	WANG
X.XXX	±0.10	X.XXX°	±1°	DRAW: 绘图:	WANG
PART NO: 产品编号: HDGC4201WR-E-2xXP		DATE	SCALE	UNIT	CODE NUMBER
		2012-08-28	2:1	mm	A008

修订 REV	标记 MARK	修改摘要 REVISION DESCRIPTION	签名 SIGNATURE	日期 DATE
A0		NEW RELEASE	WANG	2012-08-28

Ordering Information:  
 HDGC4201WR-F-2xXP -  $\frac{**}{1}$  -  $\frac{**}{2}$  -  $\frac{**}{3}$  -  $\frac{**}{4}$

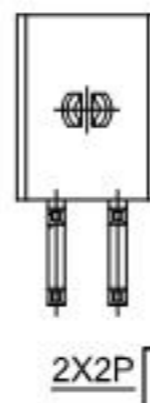
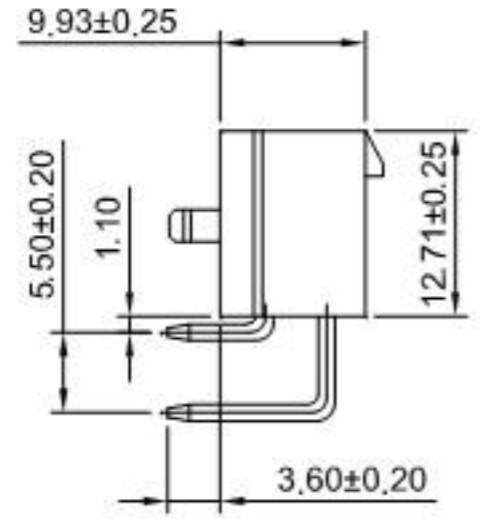
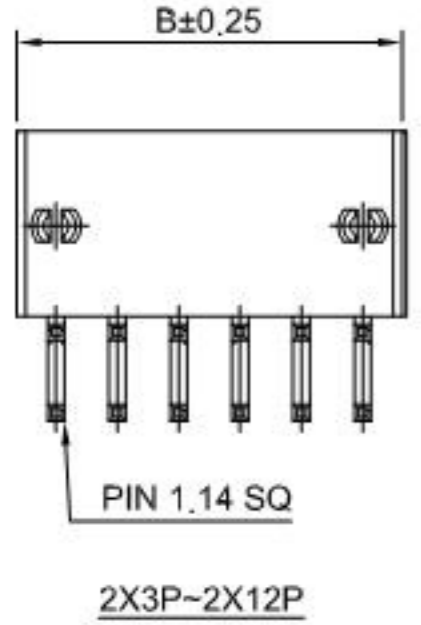
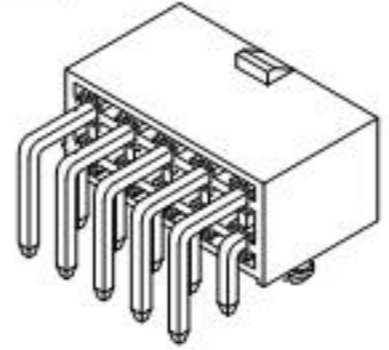
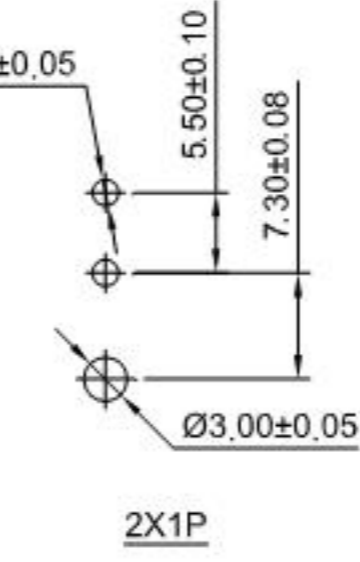
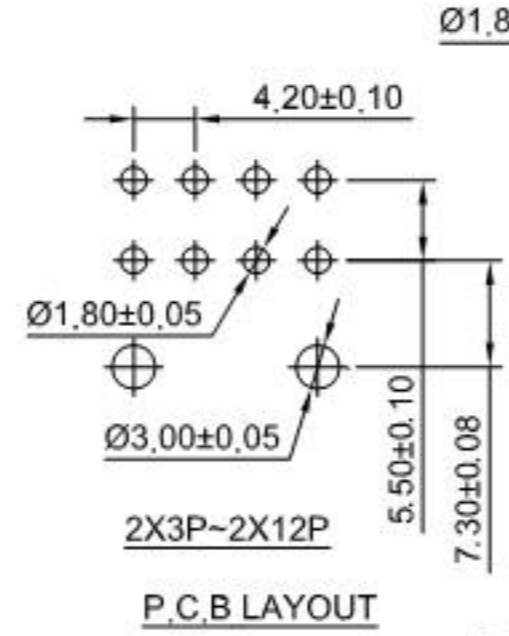
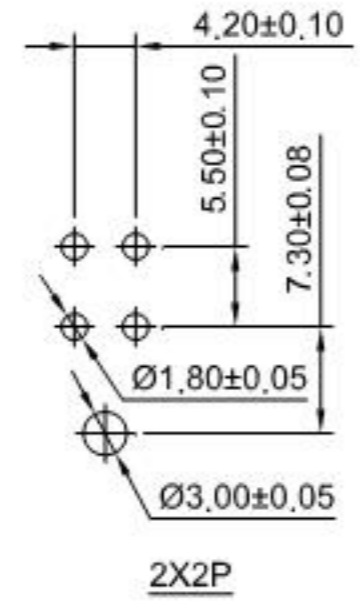
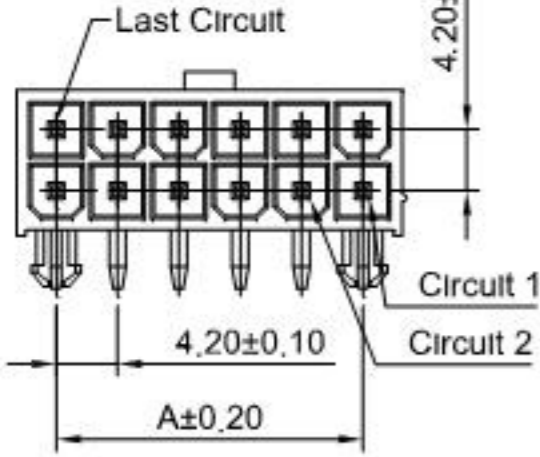
- Part No.
- Material:  
 (blank): Nylon 66 UL94V-2  
 V0: Nylon 66 UL94V-0  
 GWT: Nylon 66 UL94V-0, GWT 750°C
- Color:  
 (blank): Natural  
 WH: White  
 BK: Black  
 RD: Red  
 YL: Yellow  
 BL: Blue
- Finish:  
 (blank): Tin over Nickel  
 G: Gold over Nickel(1u")  
 G3: Gold over Nickel(3u")  
 G15: Gold over Nickel(15u")  
 G30: Gold over Nickel(30u")

**SPECIFICATIONS:**

Current Rating: 9A AC,DC  
 Voltage Rating: 600V AC,DC  
 Temperature Range: -25°C ~ +85°C  
 Contact Resistance: 10mΩ Max  
 Insulation Resistance: 1000MΩ Min  
 Withstanding Voltage: 1500V AC/minute  
 Pin Material: Brass/Tin over Nickel  
 Material: Nylon 66, UL94V-2(Natural)

**Ordering Information & Dimensions**

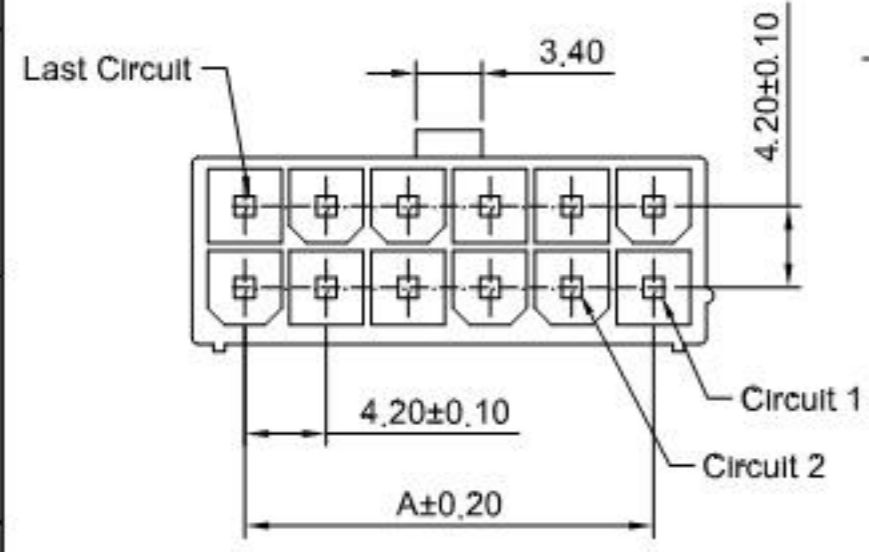
Circuits	Dimensions(mm)		Circuits	Dimensions(mm)	
	A	B		A	B
2x1P	---	5.40	2x7P	25.20	30.60
2x2P	4.20	9.60	2x8P	29.40	34.80
2x3P	8.40	13.80	2x9P	33.60	39.00
2x4P	12.60	18.00	2x10P	37.80	43.20
2x5P	16.80	22.20	2x11P	42.00	47.40
2x6P	21.00	26.40	2x12P	46.20	51.60



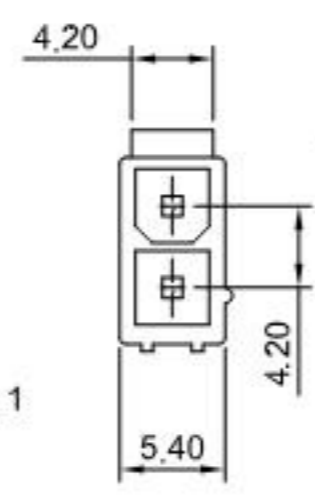
**HDGC** 深圳市华德共创科技有限公司  
 SHENZHEN HUADE CO-CREATE TECHNOLOGY CO., LTD  
 TEL: 0755-27129737 FAX: 0755-29940187

-TOLERANCES- UNLESS OTHERWISE SPECIFIED 公差参数表				TITLE: 4.20mm Pitch 产品名称: 90° Wafer				
X.X	±0.30	X.X°	±3°	APPD: 核准:	XIE			
X.XX	±0.30	X.XX°	±2°	CHECK: 校对:	WANG			
X.XXX	±0.10	X.XXX°	±1°	DRAW: 绘图:	WANG			
				DATE	SCALE	UNIT	CODE NUMBER	
				2012-08-28	1.5:1	mm	A008	

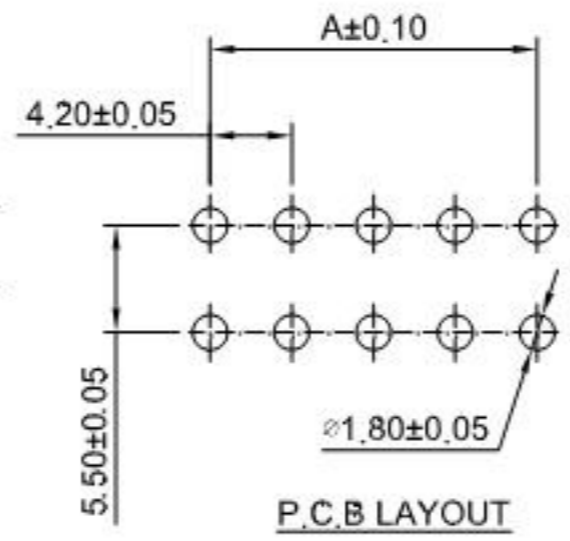
修订 REV	标记 MARK	修改摘要 REVISION DESCRIPTION	签名 SIGNATURE	日期 DATE
A0		NEW RELEASE	WANG	2019-03-28



2x2P~2x12P



2x1P



P.C.B LAYOUT

Ordering Information:

HDGC4201WRG-2xXP -  $\frac{xx}{1}$  -  $\frac{xxx}{2}$  -  $\frac{xxx}{3}$

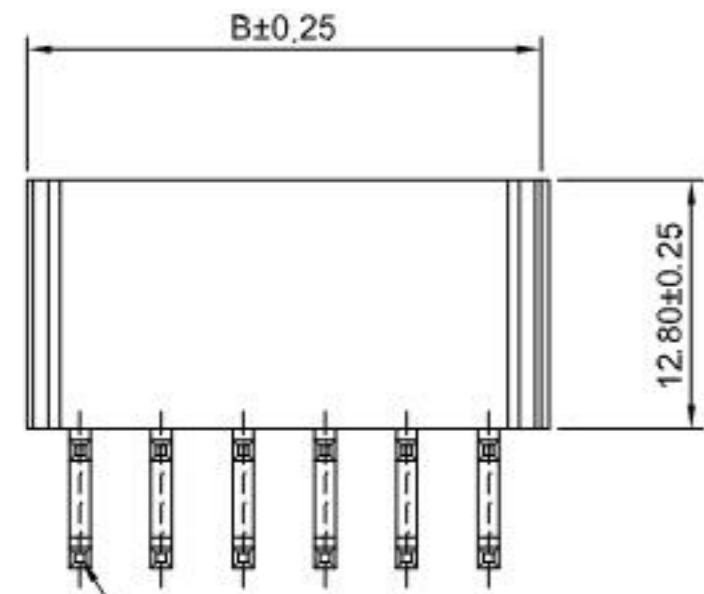
- Part No.
- Material:  
(blank): LCP, UL94V-0(Black)  
6T: Nylon 6T, UL94V-0(Ivory)  
9T: Nylon 9T, UL94V-0(Ivory)
- Finish:  
(blank): Tin over Nickel  
G: Gold over Nickel  
G30: Gold over Nickel(Au=30u")

SPECIFICATIONS:

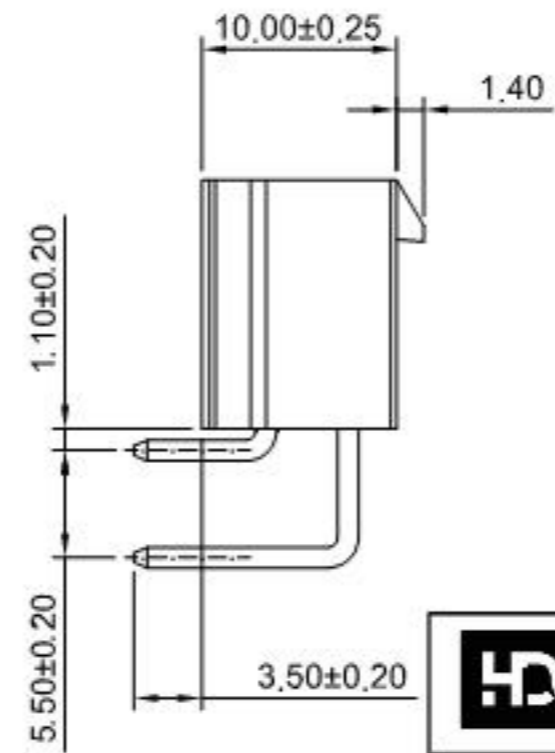
Current Rating: 13A AC,DC  
Voltage Rating: 600V AC,DC  
Temperature Range: -25°C ~ +85°C  
Contact Resistance: 10mΩ Max.  
Insulation Resistance: 1000MΩ Min.  
Withstanding Voltage: 1500V AC/minute  
Pin Material: Brass/Tin over Nickel  
Material: LCP, UL94V-0(Black)

Ordering Information & Dimensions

Circuits	Dimensions(mm)		Circuits	Dimensions(mm)	
	A	B		A	B
2x1P	---	5.40	2x7P	25.20	30.60
2x2P	4.20	9.60	2x8P	29.40	34.80
2x3P	8.40	13.80	2x9P	33.60	39.00
2x4P	12.60	18.00	2x10P	37.80	43.20
2x5P	16.80	22.20	2x11P	42.00	47.40
2x6P	21.00	26.40	2x12P	46.20	51.60



PIN 1.07 SQ



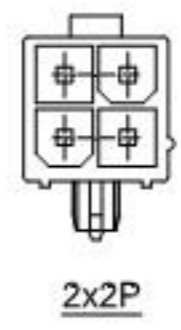
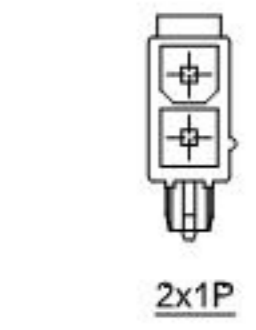
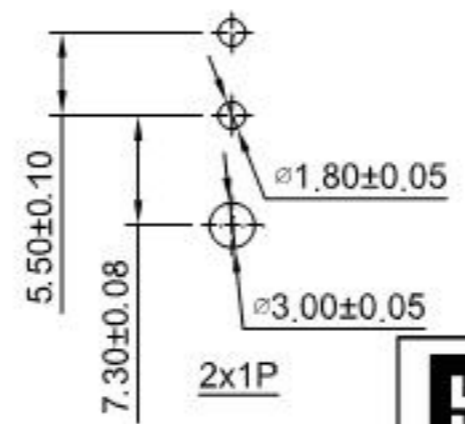
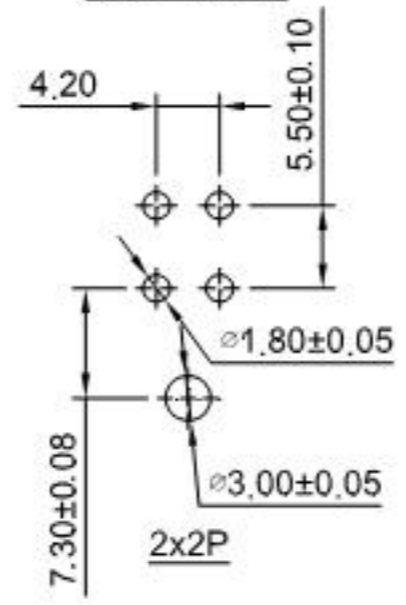
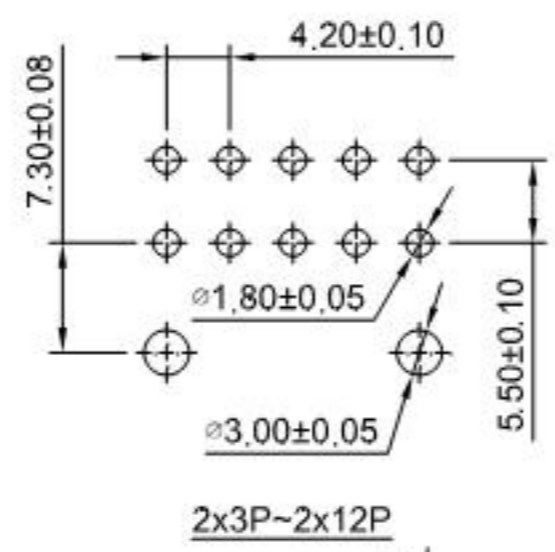
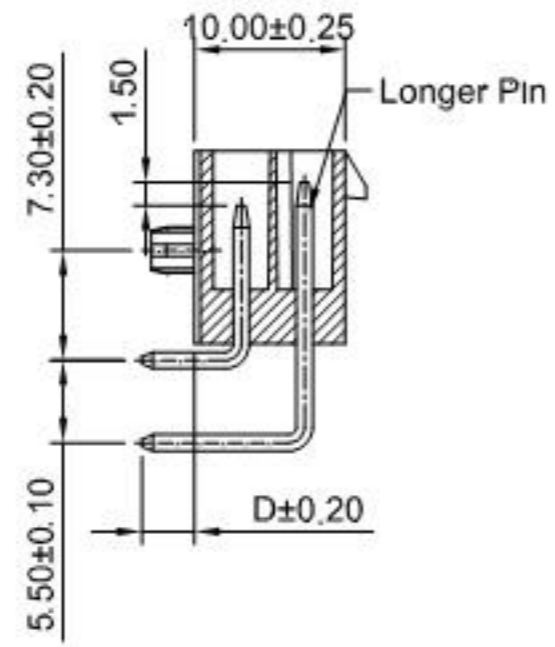
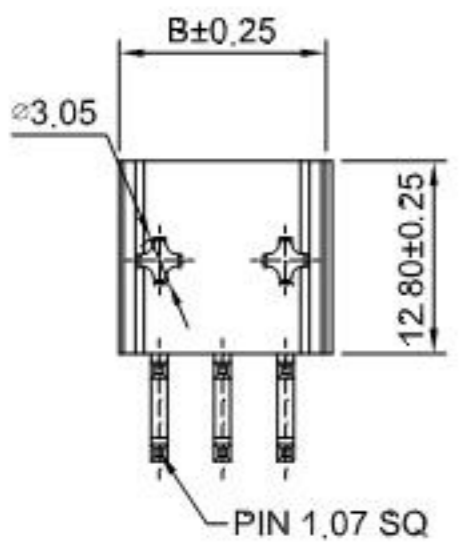
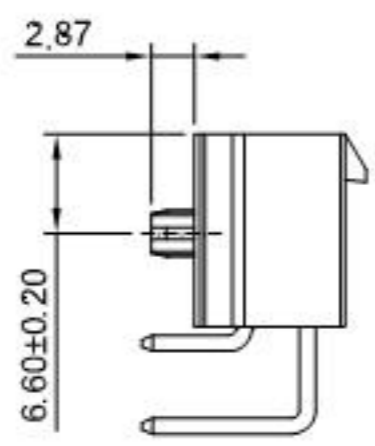
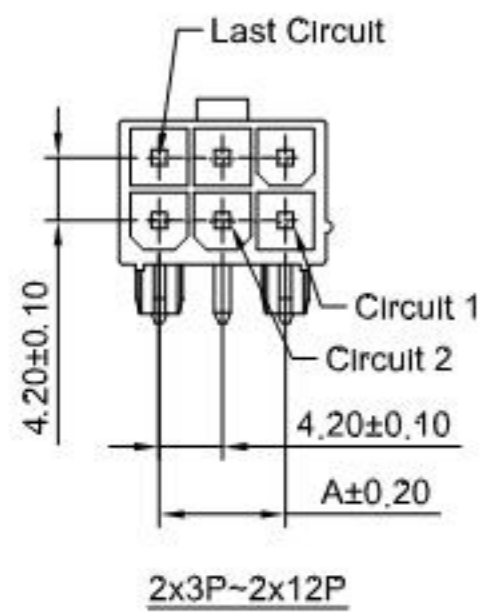
深圳市华德共创科技有限公司

SHENZHEN HUADE CO-CREATE TECHNOLOGY CO., LTD

TEL: 0755-27129737 FAX: 0755-29940187

-TOLERANCES- UNLESS OTHERWISE SPECIFIED 公差参数表				TITLE: 4.20mm Pitch 产品名称: 90° Wafer	
X.X	±0.30	X.X°	±3°	APPD: 核准:	XIE
X.XX	±0.30	X.XX°	±2°	CHECK: 校对:	WANG
X.XXX	±0.10	X.XXX°	±1°	DRAW: 绘图:	WANG
PART NO: 产品编号:		HDGC4201WRG-2xXP		DATE	2019-03-28
SCALE		2:1	UNIT	mm	CODE NUMBER
A008					

修订 REV	标记 MARK	修改摘要 REVISION DESCRIPTION	签名 SIGNATURE	日期 DATE
A0		NEW RELEASE	WANG	2019-03-28



Ordering Information:  
 HDGC4201WRG-F-2xXP -  $\frac{??}{2}$  -  $\frac{??}{3}$  -  $\frac{XX}{4}$

- Part No.
- Color:  
(blank): Black  
NAT: Natural
- Finish:  
(blank): Tin over Nickel  
G: Gold over Nickel  
G30: Gold over Nickel(Au:30u")
- Style:  
44: 2x12P, see sheet 2

**SPECIFICATIONS:**  
 Current Rating: 13A AC,DC  
 Voltage Rating: 600V AC,DC  
 Temperature Range: -25°C ~ +85°C  
 Contact Resistance: 10mΩ Max.  
 Insulation Resistance: 1000MΩ Min.  
 Withstanding Voltage: 1500V AC/minute  
 Pin Material: Brass/Tin over Nickel  
 Material: LCP,UL94V-0(Black)

Ordering Information & Dimensions

Circuits	Dimensions(mm)		Circuits	Dimensions(mm)	
	A	B		A	B
2x1P	---	5.40	2x7P	25.20	30.60
2x2P	4.20	9.60	2x8P	29.40	34.80
2x3P	8.40	13.80	2x9P	33.60	39.00
2x4P	12.60	18.00	2x10P	37.80	43.20
2x5P	16.80	22.20	2x11P	42.00	47.40
2x6P	21.00	26.40	2x12P	46.20	51.60

**HDGC** 深圳市华德共创科技有限公司  
 SHENZHEN HUADE CO-CREATE TECHNOLOGY CO., LTD  
 TEL: 0755-27129737 FAX: 0755-29940187

-TOLERANCES- UNLESS OTHERWISE SPECIFIED 公差参数表				TITLE: 4.20mm Pitch 产品名称: 90° Wafer	
X.X	±0.30	X.X°	±3°	APPD: 核准:	XIE
X.XX	±0.30	X.XX°	±2°	CHECK: 校对:	WANG
X.XXX	±0.10	X.XXX°	±1°	DRAW: 绘图:	WANG
PART NO: 产品编号:			DATE	SCALE	UNIT
HDGC4201WRG-F-2xXP			2019-03-28	1.5:1	mm
CODE NUMBER			A008		

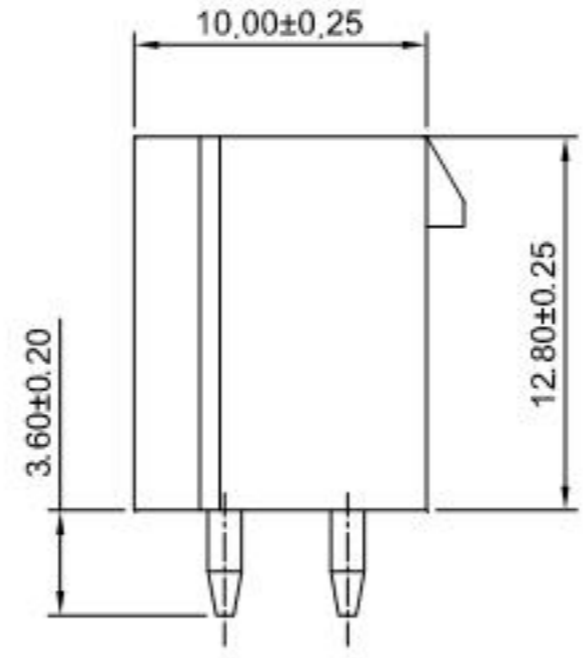
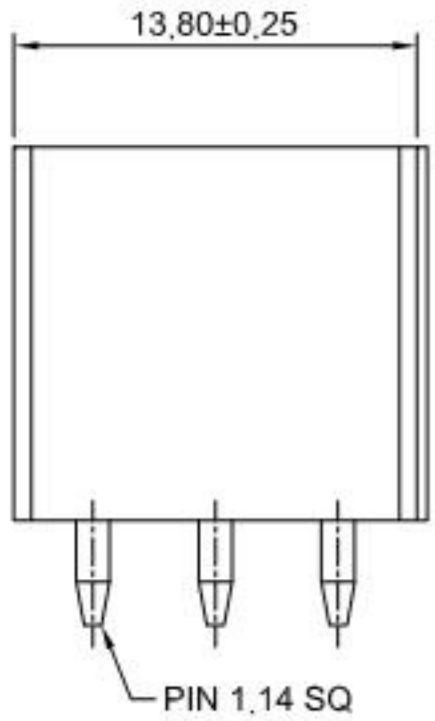
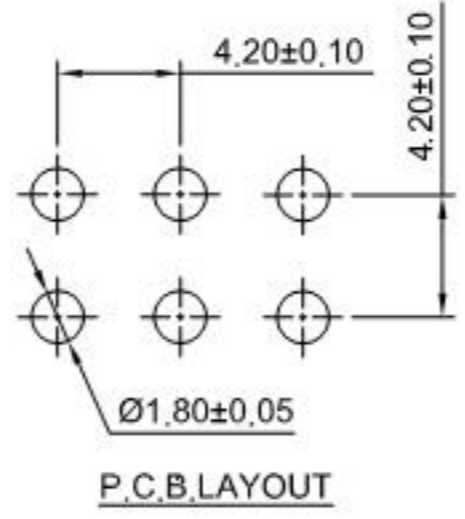
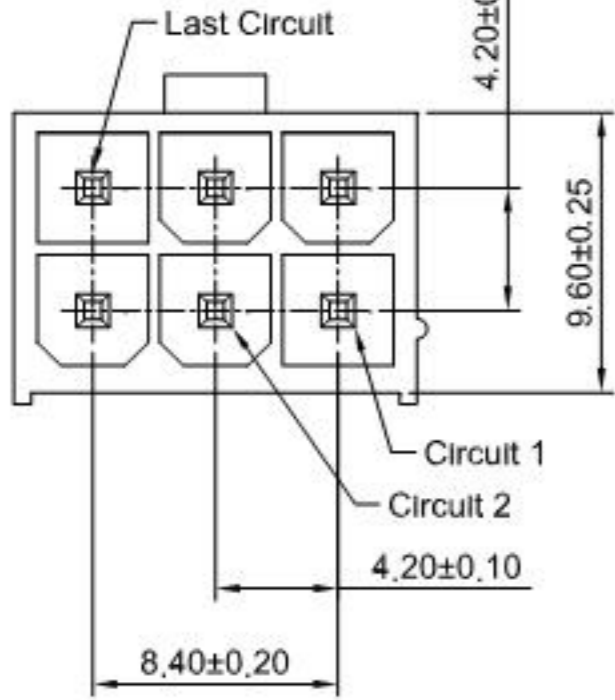
修订 REV	标记 MARK	修改摘要 REVISION DESCRIPTION	签名 SIGNATURE	日期 DATE
A0		NEW RELEASE	WANG	2019-03-28

Style	Housing Material	Circuits	Finish	PIN ID/CIRCUIT LOCATION (V=VOID)																							
				P1	P2	P3	P4	P5	P6	P7	P8	P9	P10	P11	P12	P13	P14	P15	P16	P17	P18	P19	P20	P21	P22	P23	P24
44	LCP,UL94V-0, Black	2x12P	Tin over Nickel	V	2	V	2	V	2	V	2	V	2	2	V	2	V	2	V	2	V	2	V	2	V		

PIN ID	MATING CONFIGURATION	SIZE D REF (mm) (PCB TAIL LENGTH)
1	LONGER PIN	3,50
2	STANDARD	3,50
3	LONGER PIN	4,90
4	STANDARD	6,00
5	LONGER PIN	4,20
6	STANDARD	4,20
8	STANDARD	5,30
9	STANDARD	8,00

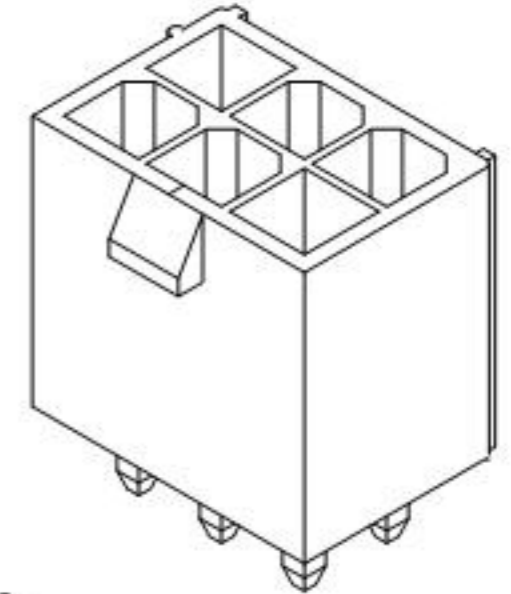
		深圳市华德共创科技有限公司 SHENZHEN HUADE CO-CREATE TECHNOLOGY CO., LTD TEL: 0755-27129737 FAX: 0755-29940187						
-TOLERANCES- UNLESS OTHERWISE SPECIFIED 公差参数表				TITLE: 4.20mm Pitch 产品名称: 90° Wafer				
X.X	±0.30	X.X°	±3°	APPD: 核准: XIE	PART NO: 产品编号: HDGC4201WRG-F-2xXP			
X.XX	±0.30	X.XX°	±2°	CHECK: 校对: WANG	DATE	SCALE	UNIT	CODE NUMBER
X.XXX	±0.10	X.XXX°	±1°	DRAW: 绘图: WANG	2019-03-28	1.5:1	mm	A008

修订 REV	标记 MARK	修改摘要 REVISION DESCRIPTION	签名 SIGNATURE	日期 DATE
A0		NEW RELEASE	WANG	2012-11-24



Ordering Information:  
 HDGC4201WV-2x3P-B - <sup>\*\*</sup>/<sub>2</sub> - <sup>\*\*</sup>/<sub>3</sub>

- Part No.
- Material:  
 (blank):UL94V-2  
 V0:UL94V-0
- Color:  
 NAT:Natural  
 WH:White  
 BK:Black  
 RD:Red  
 YL:Yellow  
 BL:Blue



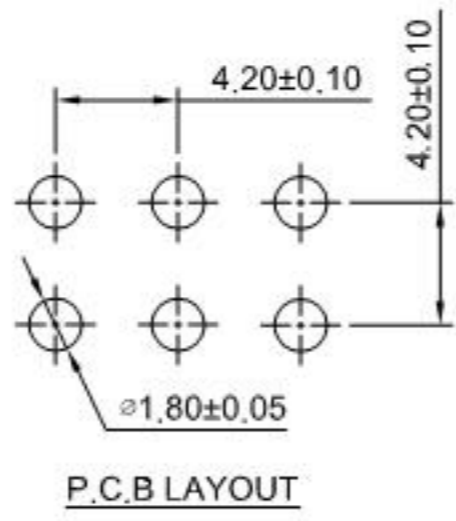
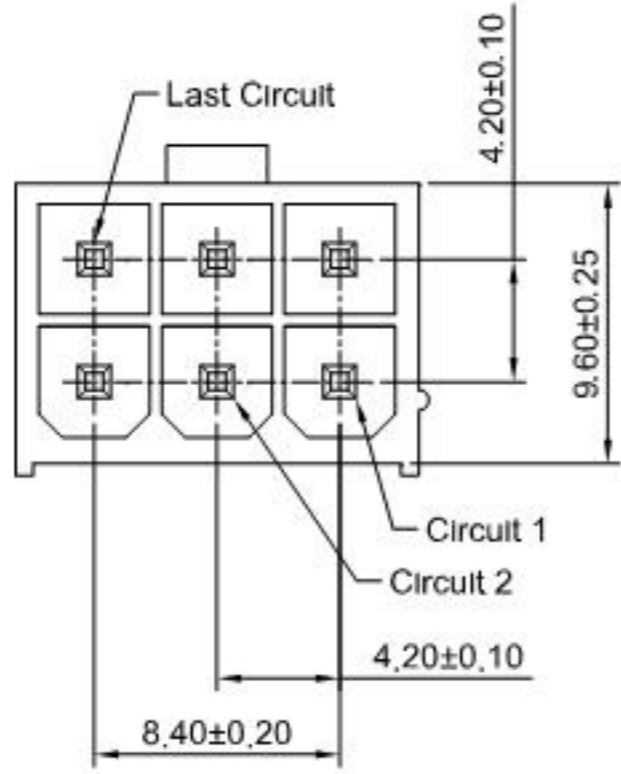
**SPECIFICATIONS:**  
 Current Rating: 9A AC,DC  
 Voltage Rating: 600V AC,DC  
 Temperature Range: -25°C ~ +85°C  
 Contact Resistance: 10mΩ Max  
 Insulation Resistance: 1000MΩ Min  
 Withstanding Voltage: 1500V AC/minute  
 Pin Material: Brass/Tin over Nickel  
 Material: Nylon 66,UL94V-2(Black)



深圳市华德共创科技有限公司  
 SHENZHEN HUADE CO-CREATE TECHNOLOGY CO.,LTD  
 TEL: 0755-27129737 FAX: 0755-29940187

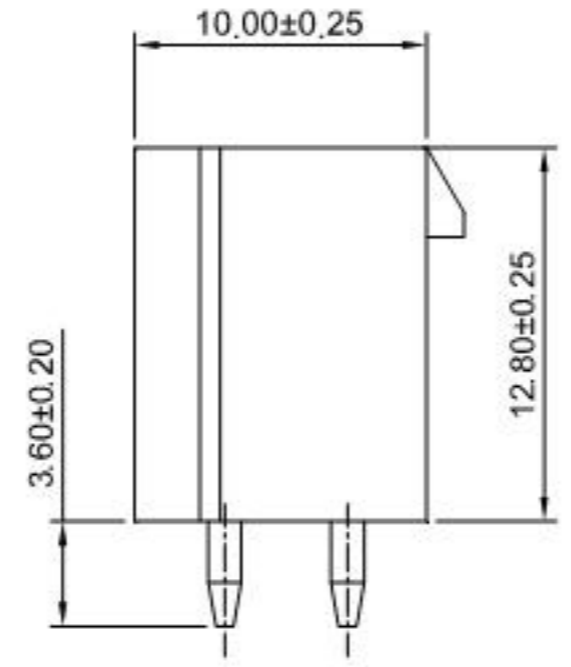
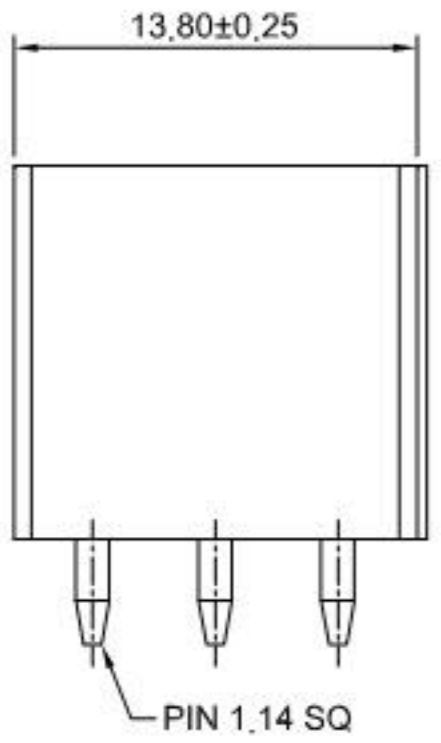
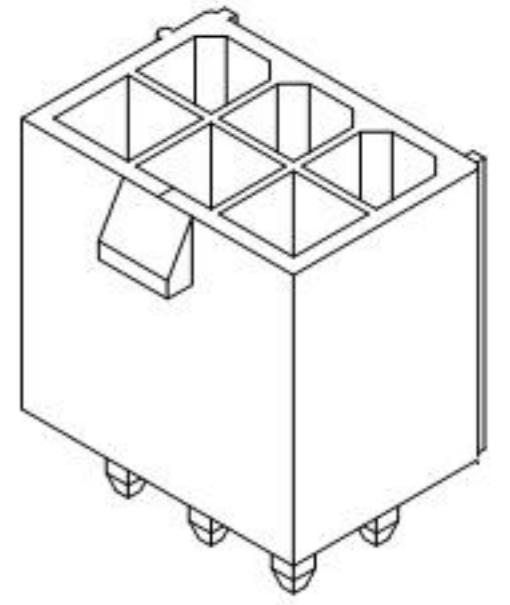
-TOLERANCES- UNLESS OTHERWISE SPECIFIED 公差参数表						TITLE: 4.20mm Pitch 产品名称: 180° Wafer			
X.X	±0.30	X.X°	±3°	APPD: 核准:	XIE	PART NO: 产品编号: HDGC4201WV-2x3P-B			
X.XX	±0.30	X.XX°	±2°	CHECK: 校对:	WANG	DATE	SCALE	UNIT	CODE NUMBER
X.XXX	±0.10	X.XXX°	±1°	DRAW: 绘图:	WANG	2012-11-24	3:1	mm	A008

修订 REV	标记 MARK	修改摘要 REVISION DESCRIPTION	签名 SIGNATURE	日期 DATE
A0		NEW RELEASE	WANG	2012-11-24



Ordering Information:  
 HDGC4201WV-2x3P-C - <sup>\*\*\*</sup>/<sub>2</sub> - <sup>\*\*\*</sup>/<sub>3</sub>

- Part No.
- Material:  
 (blank): Nylon 66, UL94V-2  
 V0: Nylon 66, UL94V-0  
 GWT: Nylon 66, UL94V-0, GWT 750°C
- Color:  
 (blank): Black  
 NAT: Natural  
 WH: White  
 RD: Red  
 YL: Yellow  
 BL: Blue



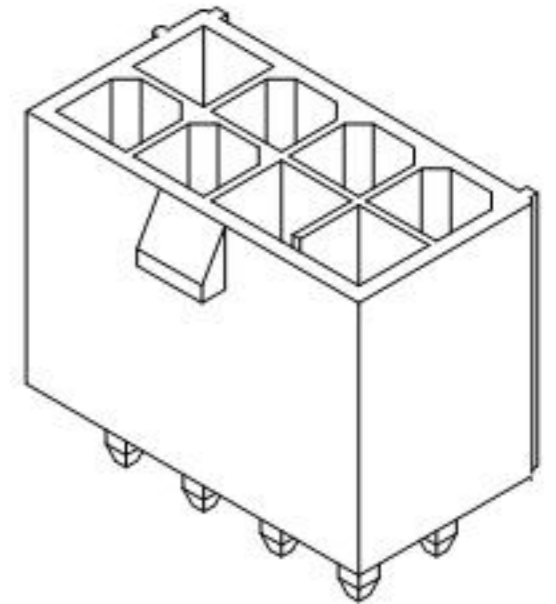
**SPECIFICATIONS:**  
 Current Rating: 9A AC,DC  
 Voltage Rating: 600V AC,DC  
 Temperature Range: -25°C ~ +85°C  
 Contact Resistance: 10mΩ Max  
 Insulation Resistance: 1000MΩ Min  
 Withstanding Voltage: 1500V AC/minute  
 Pin Material: Brass/Tin over Nickel  
 Material: Nylon 66, UL94V-2(Black)

		<b>深圳市华德共创科技有限公司</b> SHENZHEN HUADE CO-CREATE TECHNOLOGY CO., LTD TEL: 0755-27129737 FAX: 0755-29940187						
		TITLE: 4.20mm Pitch 产品名称: 180° Wafer						
-TOLERANCES- UNLESS OTHERWISE SPECIFIED 公差参数表				PART NO: 产品编号: HDGC4201WV-2x3P-C				
X.X	±0.30	X.X°	±3°	APPD: 核准: XIE	DATE	SCALE	UNIT	CODE NUMBER
X.XX	±0.30	X.XX°	±2°	CHECK: 校对: WANG	2012-11-24	3:1	mm	A008
X.XXX	±0.10	X.XXX°	±1°	DRAW: 绘图: WANG				

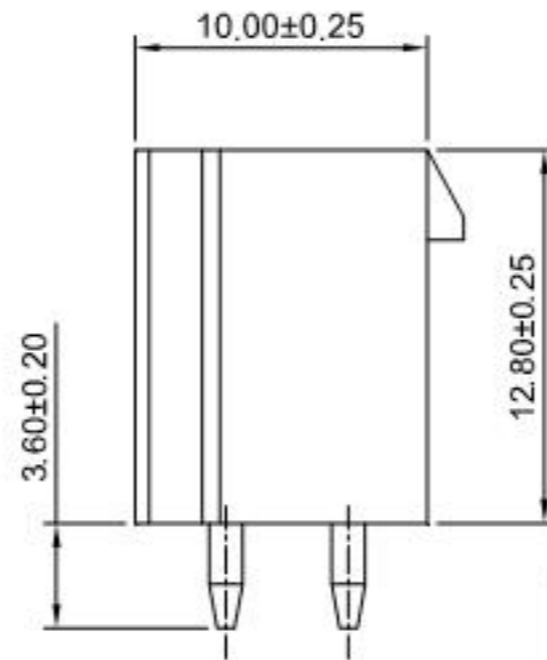
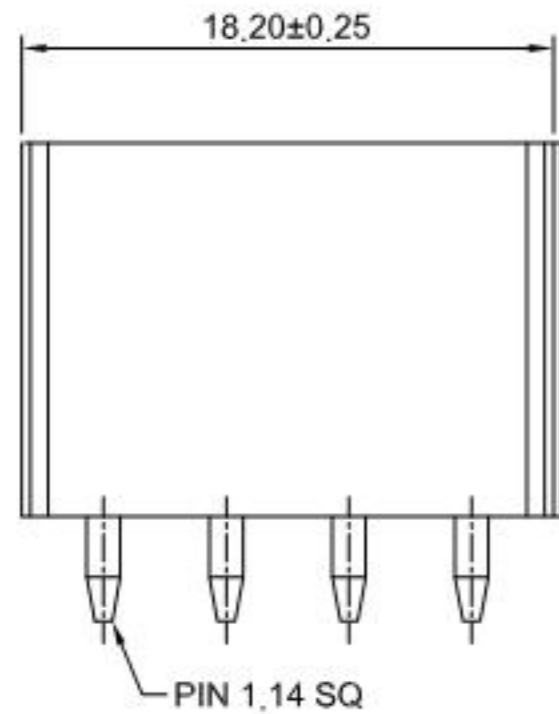
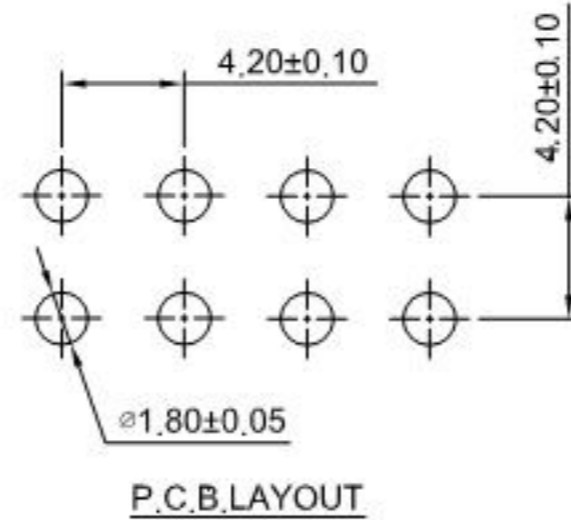
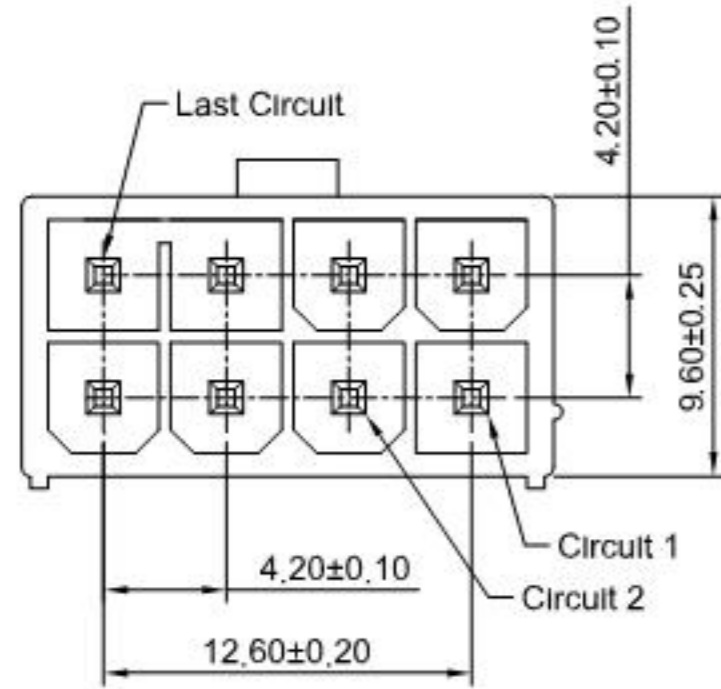
修订 REV	标记 MARK	修改摘要 REVISION DESCRIPTION	签名 SIGNATURE	日期 DATE
A0		NEW RELEASE	WANG	2012-11-24

Ordering Information:  
**HDGC4201WV-2x4P-A** -     -     -      
 1                    2                    3

- Part No.
- Material:  
 (blank): Nylon 66, UL94V-2  
 V0: Nylon 66, UL94V-0  
 GWT: Nylon 66, UL94V-0, GWT 750°C
- Color:  
 (blank): Black  
 NAT: Natural  
 WH: White  
 RD: Red  
 YL: Yellow  
 BL: Blue



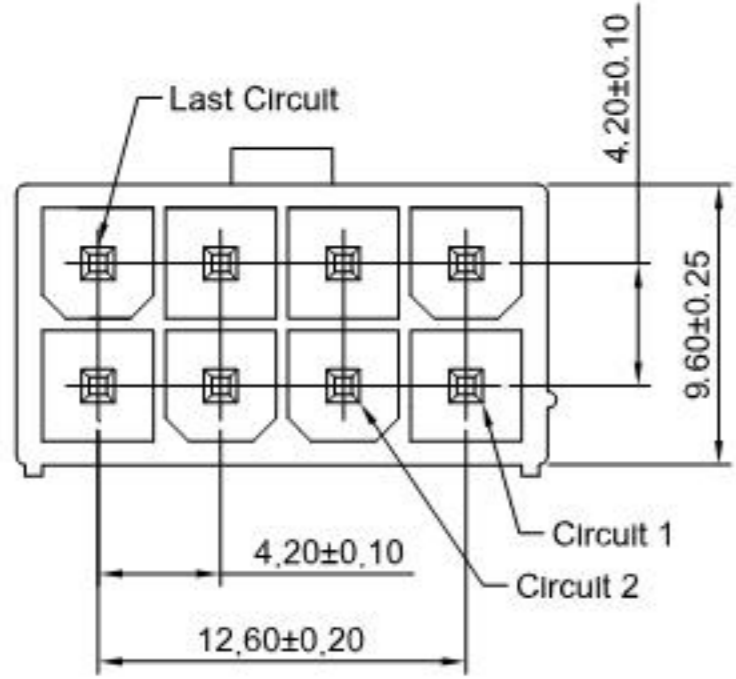
**SPECIFICATIONS:**  
 Current Rating: 9A AC,DC  
 Voltage Rating: 600V AC,DC  
 Temperature Range: -25°C ~ +85°C  
 Contact Resistance: 10mΩ Max  
 Insulation Resistance: 1000MΩ Min  
 Withstanding Voltage: 1500V AC/minute  
 Pin Material: Brass/Tin over Nickel  
 Material: Nylon 66, UL94V-2(Black)



**HDGC** 深圳市华德共创科技有限公司  
 SHENZHEN HUADE CO-CREATE TECHNOLOGY CO., LTD  
 TEL: 0755-27129737 FAX: 0755-29940187

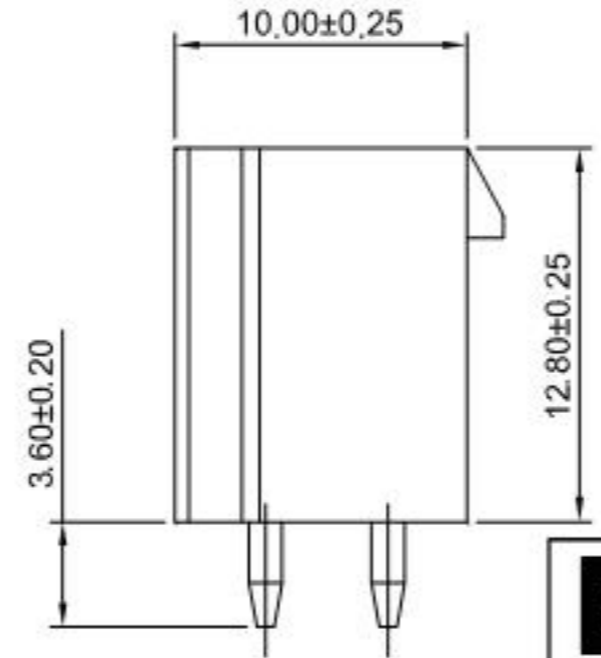
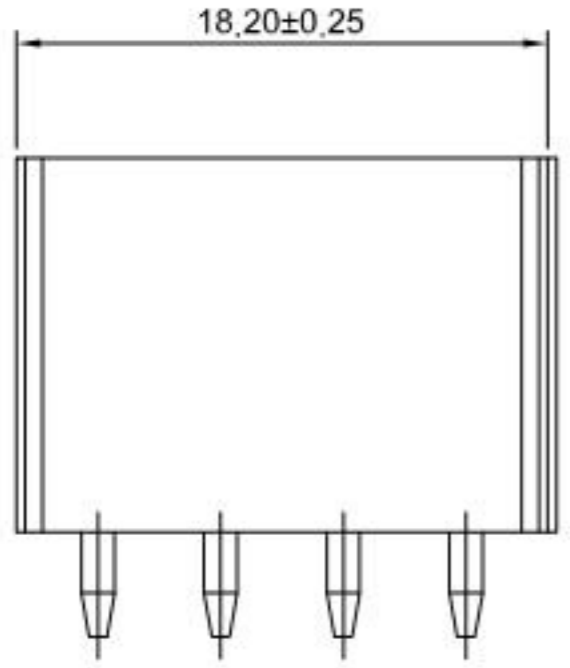
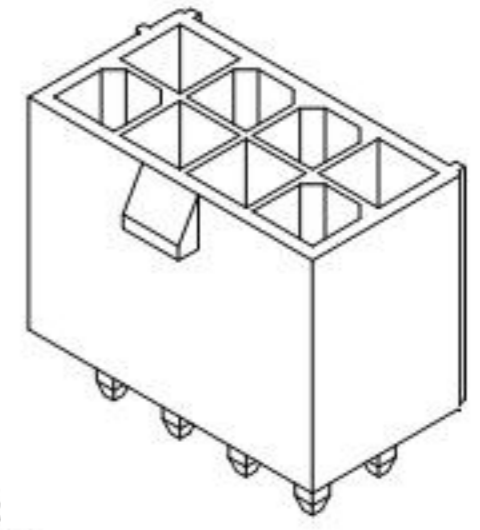
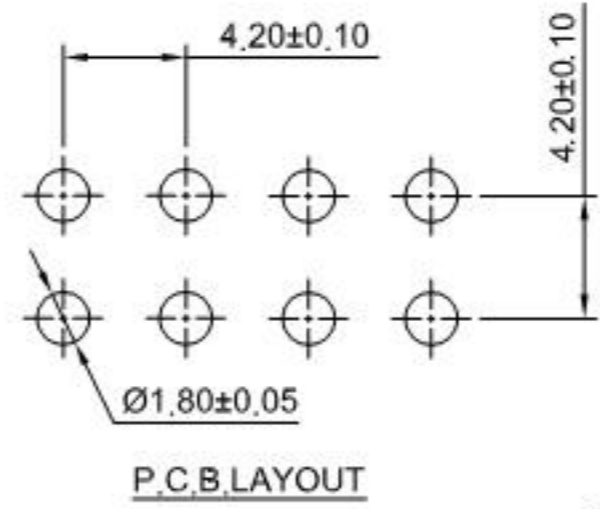
-TOLERANCES- UNLESS OTHERWISE SPECIFIED 公差参数表				TITLE: 4.20mm Pitch 产品名称: 180° Wafer	
X.X	±0.30	X.X°	±3°	APPD: 核准:	XIE
X.XX	±0.30	X.XX°	±2°	CHECK: 校对:	WANG
X.XXX	±0.10	X.XXX°	±1°	DRAW: 绘图:	WANG
PART NO: 产品编号:		HDGC4201WV-2x4P-A		DATE	2012-11-24
SCALE		3:1		UNIT	mm
CODE NUMBER		A008			

修订 REV	标记 MARK	修改摘要 REVISION DESCRIPTION	签名 SIGNATURE	日期 DATE
A0		NEW RELEASE	WANG	2012-11-24



Ordering Information:  
 HDGC4201WV-2x4P-B -  $\frac{??}{2}$  -  $\frac{??}{3}$

1. Part No.  
 2. Material:  
 (blank): UL94V-2  
 V0: UL94V-0  
 3. Color:  
 NAT: Natural  
 WH: White  
 BK: Black  
 RD: Red  
 YL: Yellow  
 BL: Blue

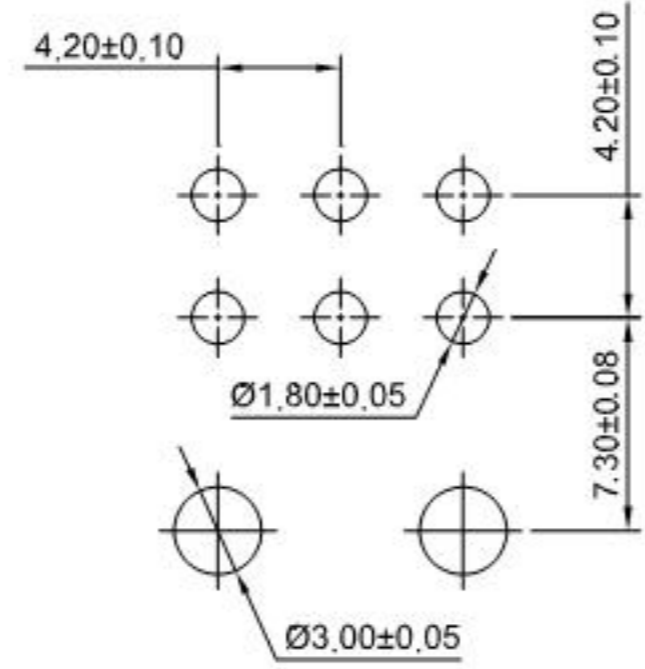
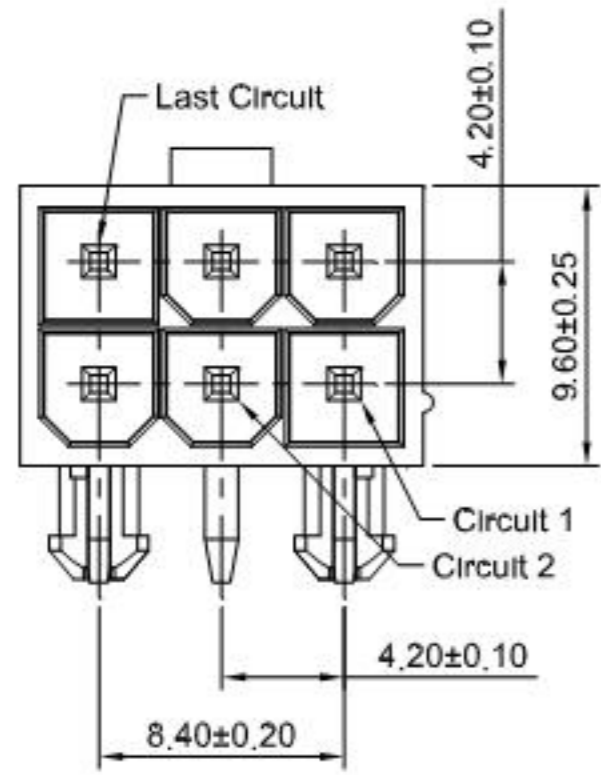


SPECIFICATIONS:  
 Current Rating: 9A AC,DC  
 Voltage Rating: 600V AC,DC  
 Temperature Range: -25°C ~ +85°C  
 Contact Resistance: 10mΩ Max  
 Insulation Resistance: 1000MΩ Min  
 Withstanding Voltage: 1500V AC/minute  
 Pin Material: Brass/Tin over Nickel  
 Material: Nylon 66, UL94V-2(Black)

**HDGC** 深圳市华德共创科技有限公司  
 SHENZHEN HUADE CO-CREATE TECHNOLOGY CO., LTD  
 TEL: 0755-27129737 FAX: 0755-29940187

-TOLERANCES- UNLESS OTHERWISE SPECIFIED 公差参数表				TITLE: 4.20mm Pitch 产品名称: 180° Wafer	
X.X	±0.30	X.X°	±3°	APPD: 核准:	XIE
X.XX	±0.30	X.XX°	±2°	CHECK: 校对:	WANG
X.XXX	±0.10	X.XXX°	±1°	DRAW: 绘图:	WANG
PART NO: 产品编号:		HDGC4201WV-2x4P-B		DATE	SCALE
DATE		2012-11-24	SCALE	UNIT	CODE NUMBER
DATE		2012-11-24	SCALE	UNIT	CODE NUMBER
DATE		2012-11-24	SCALE	UNIT	CODE NUMBER

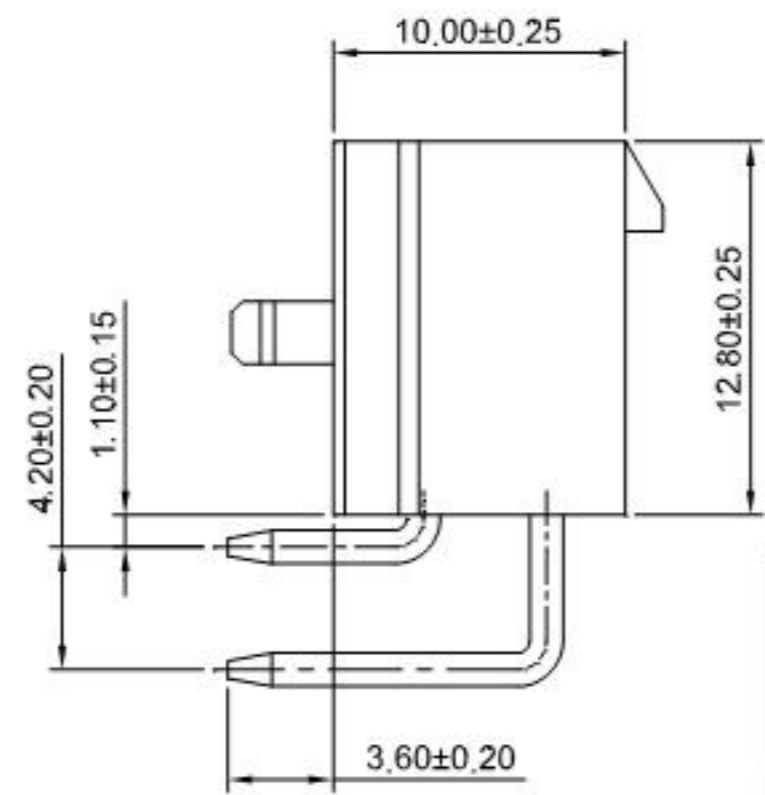
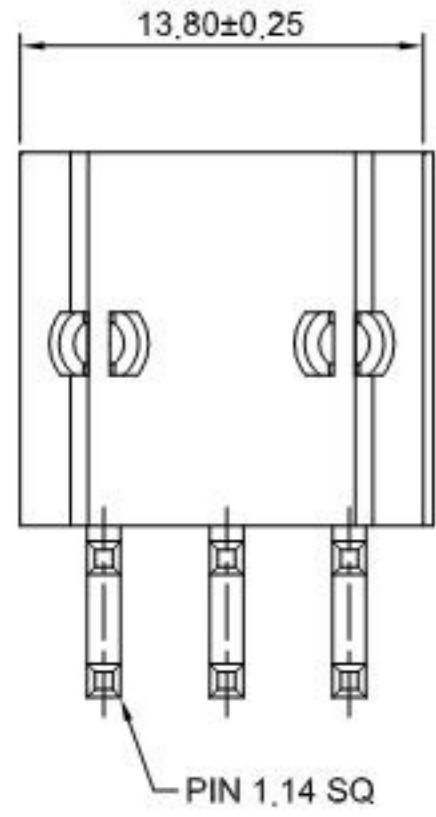
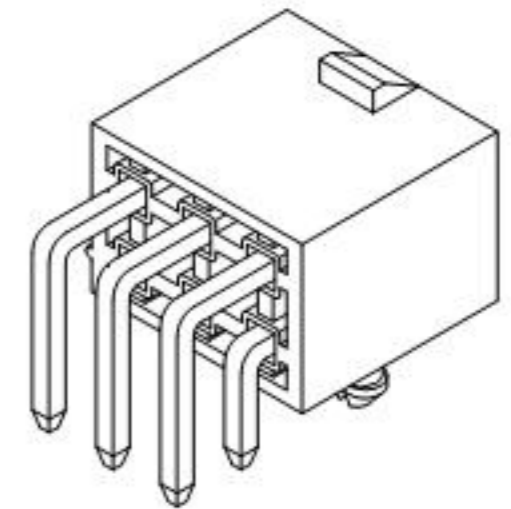
修订 REV	标记 MARK	修改摘要 REVISION DESCRIPTION	签名 SIGNATURE	日期 DATE
A0		NEW RELEASE	WANG	2012-11-24



P.C.B LAYOUT

Ordering Information:  
 HDGC4201WV-F-2x3P-A - <sup>\*\*\*</sup>/<sub>2</sub> - <sup>\*\*\*</sup>/<sub>3</sub>

- 1, Part No.
- 2, Material:  
 (blank): Nylon 66, UL94V-2  
 V0: Nylon 66, UL94V-0  
 GWT: Nylon 66, UL94V-0, GWT 750°C
- 3, Finish:  
 (blank): Tin over Nickel  
 G: Gold over Nickel(1u")  
 G3: Gold over Nickel(3u")  
 G15: Gold over Nickel(15u")  
 G30: Gold over Nickel(30u")

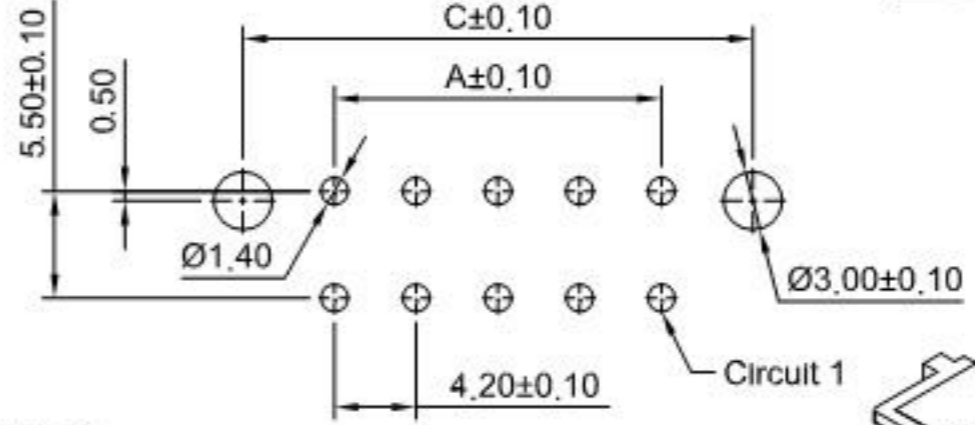
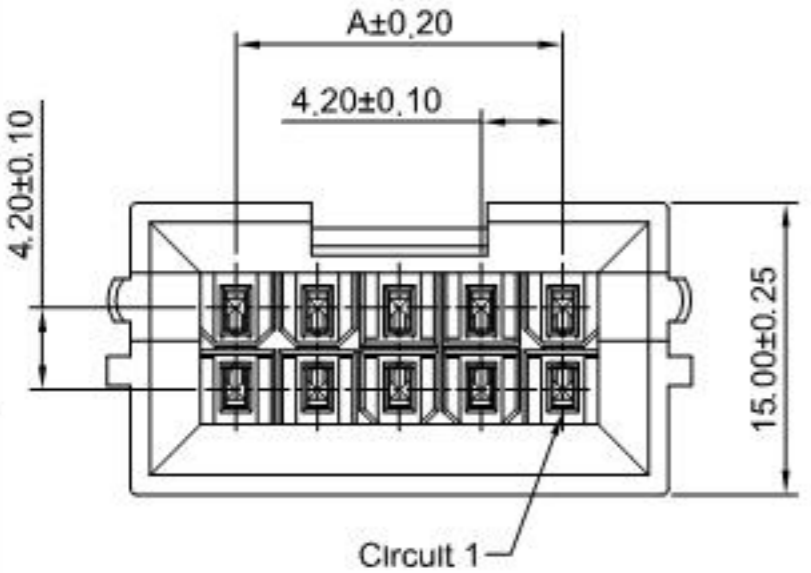


**SPECIFICATIONS:**  
 Current Rating: 9A AC,DC  
 Voltage Rating: 600V AC,DC  
 Temperature Range: -25°C ~ +85°C  
 Contact Resistance: 10mΩ Max  
 Insulation Resistance: 1000MΩ Min  
 Withstanding Voltage: 1500V AC/minute  
 Pin Material: Brass/Tin over Nickel  
 Material: Nylon 66, UL94V-2(Black)

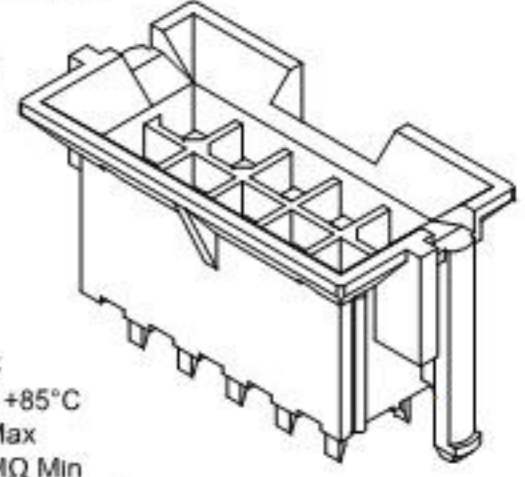
**HDGC** 深圳市华德共创科技有限公司  
 SHENZHEN HUADE CO-CREATE TECHNOLOGY CO., LTD  
 TEL: 0755-27129737 FAX: 0755-29940187

-TOLERANCES- UNLESS OTHERWISE SPECIFIED 公差参数表				TITLE: 产品名称: 4.20mm Pitch 90° Wafer	
X.X	±0.30	X.X°	±3°	APPD: 核准:	XIE
X.XX	±0.30	X.XX°	±2°	CHECK: 校对:	WANG
X.XXX	±0.10	X.XXX°	±1°	DRAW: 绘图:	WANG
PART NO: 产品编号:		DATE		SCALE	UNIT
HDGC4201WR-F-2x3P-A		2012-11-24		3:1	mm
				CODE NUMBER	A008

修订 REV	标记 MARK	修改摘要 REVISION DESCRIPTION	签名 SIGNATURE	日期 DATE
A0		NEW RELEASE	WANG	2012-11-24



PCB LAYOUT: Component Side  
Recommended PCB Thickness 1.78MAX



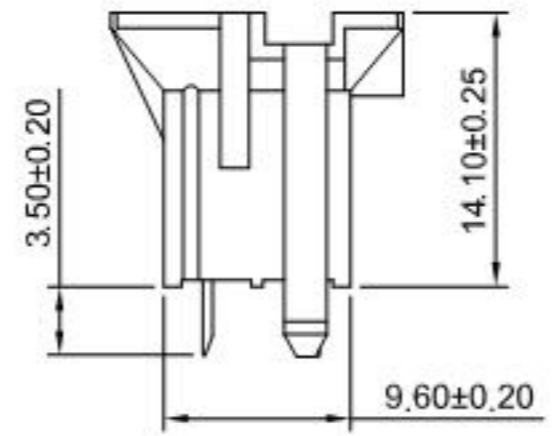
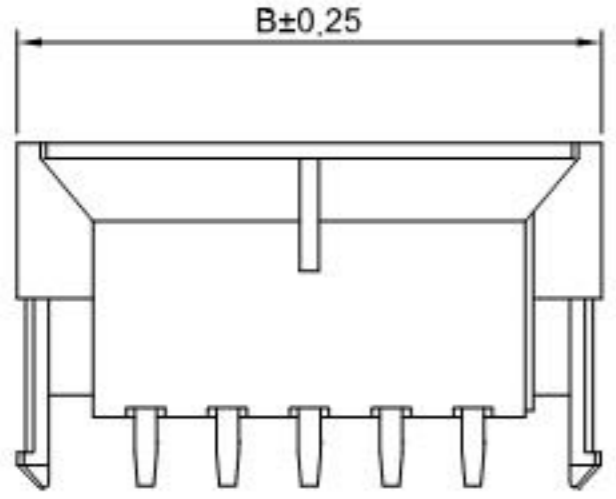
Ordering Information:  
HDGC4201WVA-F1-2xXP -  $\frac{**}{2}$  -  $\frac{**}{3}$  -  $\frac{**}{4}$

- Part No.
- Material:  
(blank): Nylon 66 UL94V-2  
V0: Nylon 66 UL94V-0  
GWT: Nylon 66 UL94V-0, GWT 750°C
- Color:  
(blank): Natural  
WH: White  
BK: Black  
RD: Red  
YL: Yellow  
BL: Blue
- Finish:  
(blank): Tin over Nickel  
G: Gold over Nickel(1u")  
G3: Gold over Nickel(3u")  
G15: Gold over Nickel(15u")  
G30: Gold over Nickel(30u")

**SPECIFICATIONS:**  
Current Rating: 9A AC,DC  
Voltage Rating: 600V AC,DC  
Temperature Range: -25°C ~ +85°C  
Contact Resistance: 10mΩ Max  
Insulation Resistance: 1000MΩ Min  
Withstanding Voltage: 1500V AC/minute  
Pin Material: Brass/Tin over Nickel  
Material: Nylon 66, UL94V-2(Natural)

Ordering Information & Dimensions

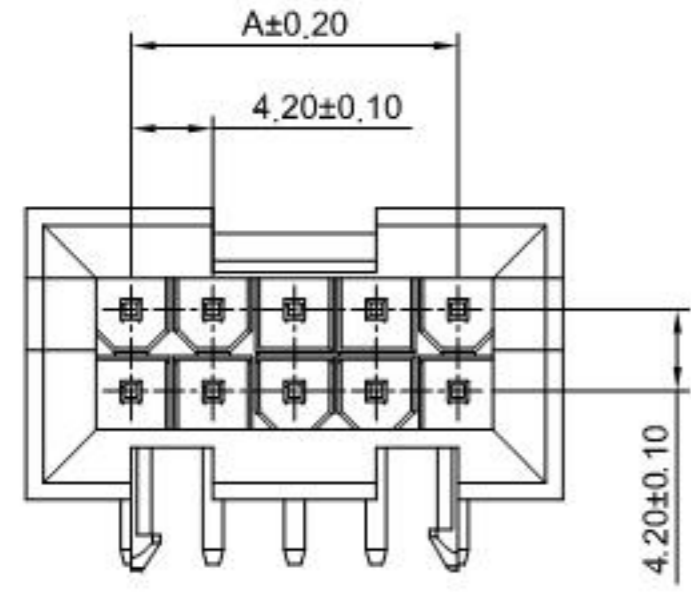
Circuits	Dimensions(mm)			Circuits	Dimensions(mm)		
	A	B	C		A	B	C
2x1P	----	13,20	9,40	2x8P	29,40	42,60	38,80
2x2P	4,20	17,40	13,60	2x9P	33,60	46,80	43,00
2x3P	8,40	21,60	17,80	2x10P	37,80	51,00	47,20
2x4P	12,60	25,80	22,00	2x11P	42,00	55,20	51,40
2x5P	16,80	30,00	26,20	2x12P	46,20	59,40	55,60
2x6P	21,00	34,20	30,40	2x18P	71,40	84,60	80,80
2x7P	25,20	38,40	34,60				



深圳市华德共创科技有限公司  
SHENZHEN HUADE CO-CREATE TECHNOLOGY CO., LTD  
TEL: 0755-27129737 FAX: 0755-29940187

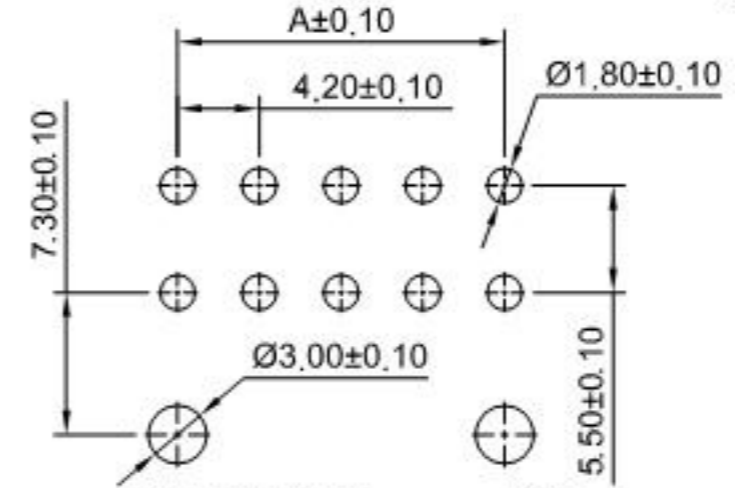
-TOLERANCES- UNLESS OTHERWISE SPECIFIED 公差参数表				TITLE: 4.20mm Pitch 产品名称: 180° Wafer	
X.X	±0.30	X.X°	±3°	APPD: 核准:	XIE
X.XX	±0.30	X.XX°	±2°	CHECK: 校对:	WANG
X.XXX	±0.10	X.XXX°	±1°	DRAW: 绘图:	WANG
PART NO: 产品编号:		HDGC4201WVA-F1-2xXP			
DATE	SCALE	UNIT	CODE NUMBER		
2012-11-24	2:1	mm	A008		

修订 REV	标记 MARK	修改摘要 REVISION DESCRIPTION	签名 SIGNATURE	日期 DATE
A0		NEW RELEASE	WANG	2012-11-24

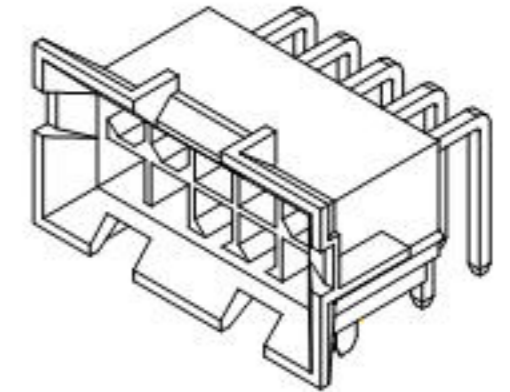


**Ordering Information:**  
**HDGC4201WR-F1-2xXP** -  $\frac{xx}{2}$  -  $\frac{xx}{3}$  -  $\frac{xx}{4}$

1. Part No.  
 2. Material:  
 (blank): Nylon 66 UL94V-2  
 V0: Nylon 66 UL94V-0  
 GWT: Nylon 66 UL94V-0, GWT 750°C  
 3. Color:  
 (blank): Natural  
 WH: White  
 BK: Black  
 RD: Red  
 YL: Yellow  
 BL: Blue  
 4. Finish:  
 (blank): Tin over Nickel  
 G: Gold over Nickel(1u")  
 G3: Gold over Nickel(3u")  
 G15: Gold over Nickel(15u")  
 G30: Gold over Nickel(30u")



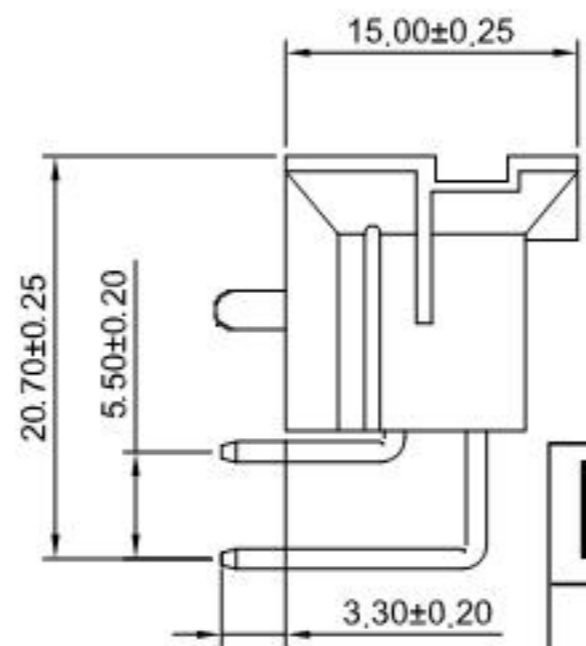
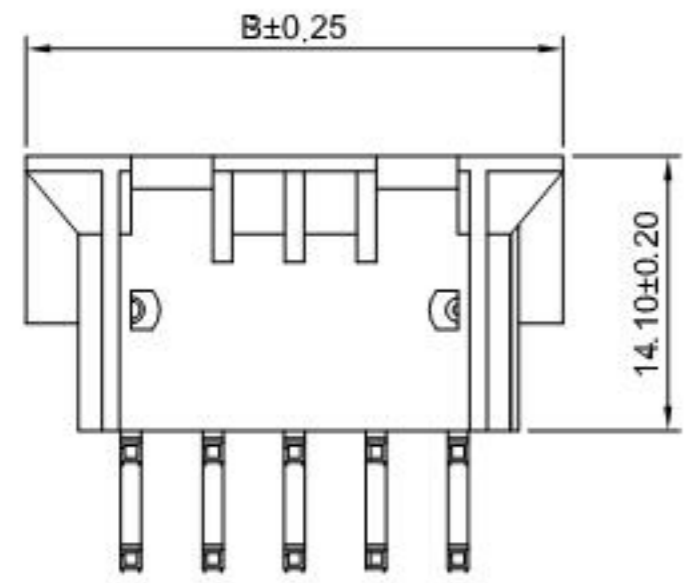
PCB LAYOUT: Component Side  
 Recommended PCB Thickness 1.78MAX



**SPECIFICATIONS:**  
 Current Rating: 9A AC,DC  
 Voltage Rating: 600V AC,DC  
 Temperature Range: -25°C ~ +85°C  
 Contact Resistance: 10mΩ Max  
 Insulation Resistance: 1000MΩ Min  
 Withstanding Voltage: 1500V AC/minute  
 Pin Material: Brass/Tin over Nickel  
 Material: Nylon 66, UL94V-2(Natural)

**Ordering Information & Dimensions**

Circuits	Dimensions(mm)		Circuits	Dimensions(mm)	
	A	B		A	B
2x1P	---	10.80	2x8P	29.40	40.20
2x2P	4.20	15.00	2x9P	33.60	44.40
2x3P	8.40	19.20	2x10P	37.80	48.60
2x4P	12.60	23.40	2x11P	42.00	52.80
2x5P	16.80	27.60	2x12P	46.20	57.00
2x6P	21.00	31.80	2x18P	71.40	82.20
2x7P	25.20	36.00			



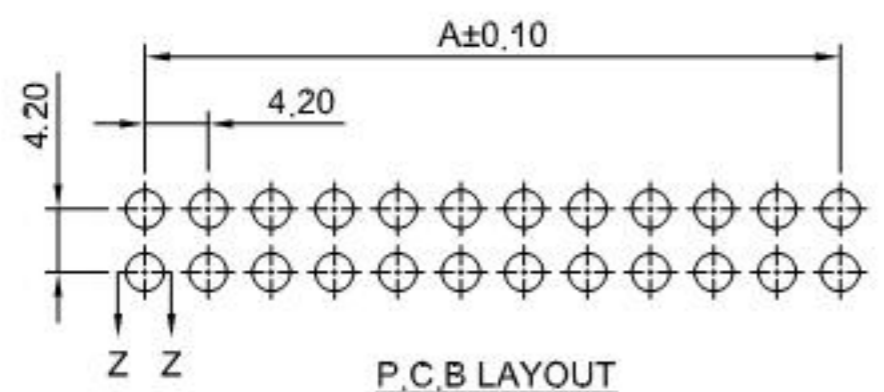
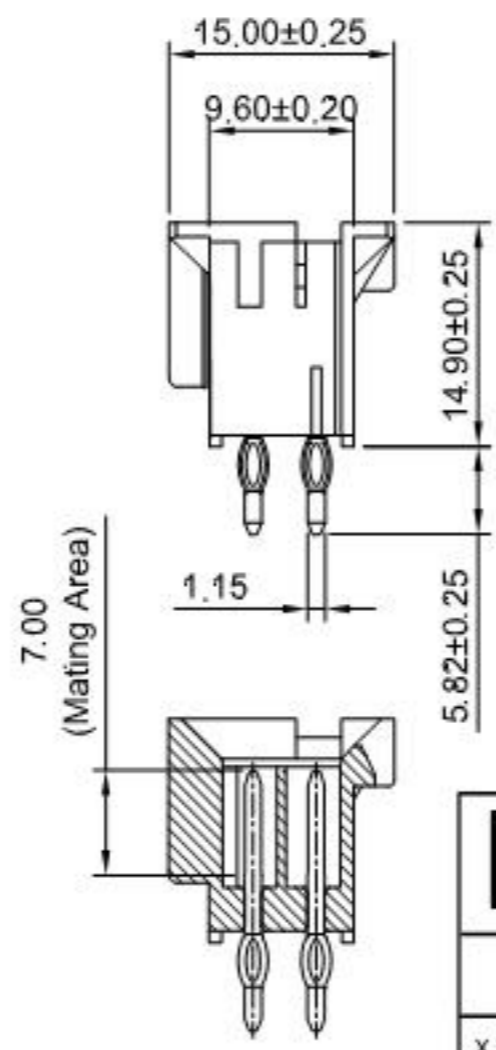
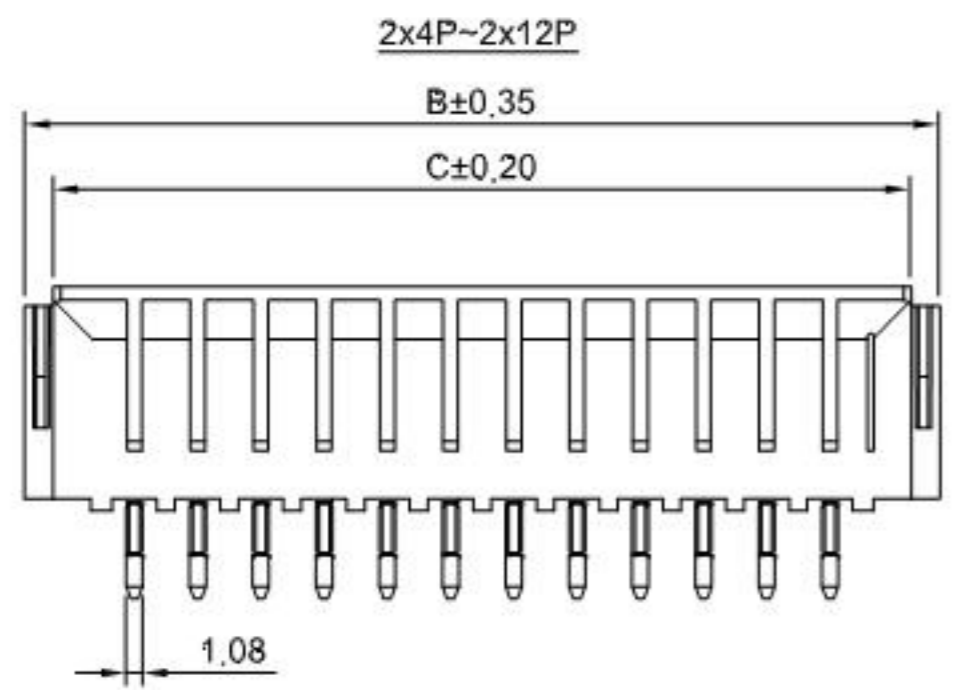
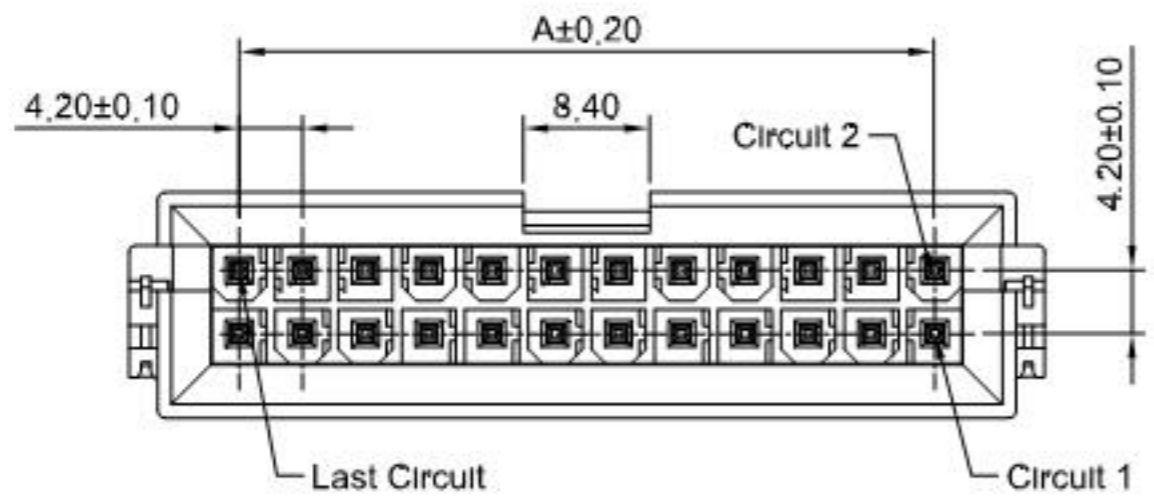
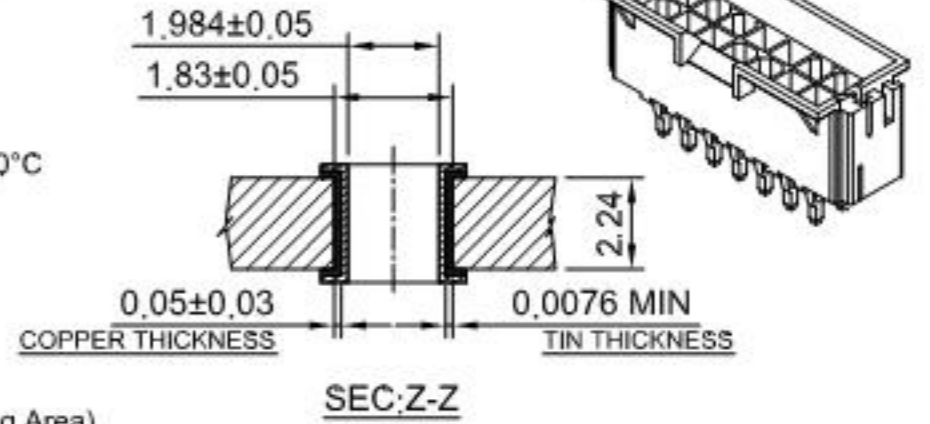
**深圳市华德共创科技有限公司**  
 SHENZHEN HUADE CO-CREATE TECHNOLOGY CO., LTD  
 TEL: 0755-27129737 FAX: 0755-29940187

-TOLERANCES- UNLESS OTHERWISE SPECIFIED 公差参数表				TITLE: 4.20mm Pitch 产品名称: 90° Wafer	
X.X	±0.30	X.X°	±3°	APPD: 核准:	XIE
X.XX	±0.30	X.XX°	±2°	CHECK: 校对:	WANG
X.XXX	±0.10	X.XXX°	±1°	DRAW: 绘图:	WANG
PART NO: 产品编号:			DATE	SCALE	UNIT
HDGC4201WR-F1-2xXP			2012-11-24	2:1	mm
CODE NUMBER			A008		

修订 REV	标记 MARK	修改摘要 REVISION DESCRIPTION	签名 SIGNATURE	日期 DATE
A0		NEW RELEASE	WANG	2012-11-24

Ordering Information:  
 HDGC4201WVB-2xXP -  $\frac{***}{2} - \frac{**}{3} - \frac{***}{4}$

- Part No.
- Material:  
 (blank): Nylon 66 UL94V-0  
 GWT: Nylon 66 UL94V-0, GWT 750°C
- Color:  
 (blank): Black  
 NAT: Natural
- Finish:  
 (blank): Tin over Nickel  
 G: Gold over Nickel(Au: 1u")  
 G3: Gold over Nickel(Au: 3u", Mating Area)  
 G15: Gold over Nickel(Au: 15u", Mating Area)  
 G30: Gold over Nickel(Au: 30u", Mating Area)



**SPECIFICATIONS:**

Current Rating: 13A AC,DC(Max)(Maximum current up to 13A when using the C4201F-TCA-HH series terminal)  
 Voltage Rating: 600V AC,DC  
 Temperature Range: -25°C ~ +85°C  
 Contact Resistance: 10mΩ Max  
 Insulation Resistance: 1000MΩ Min  
 Withstanding Voltage: 1500V AC/minute  
 Pin Material: Phosphor Bronze/Tin over Nickel  
 Material: Nylon 66, UL94V-0(Black)

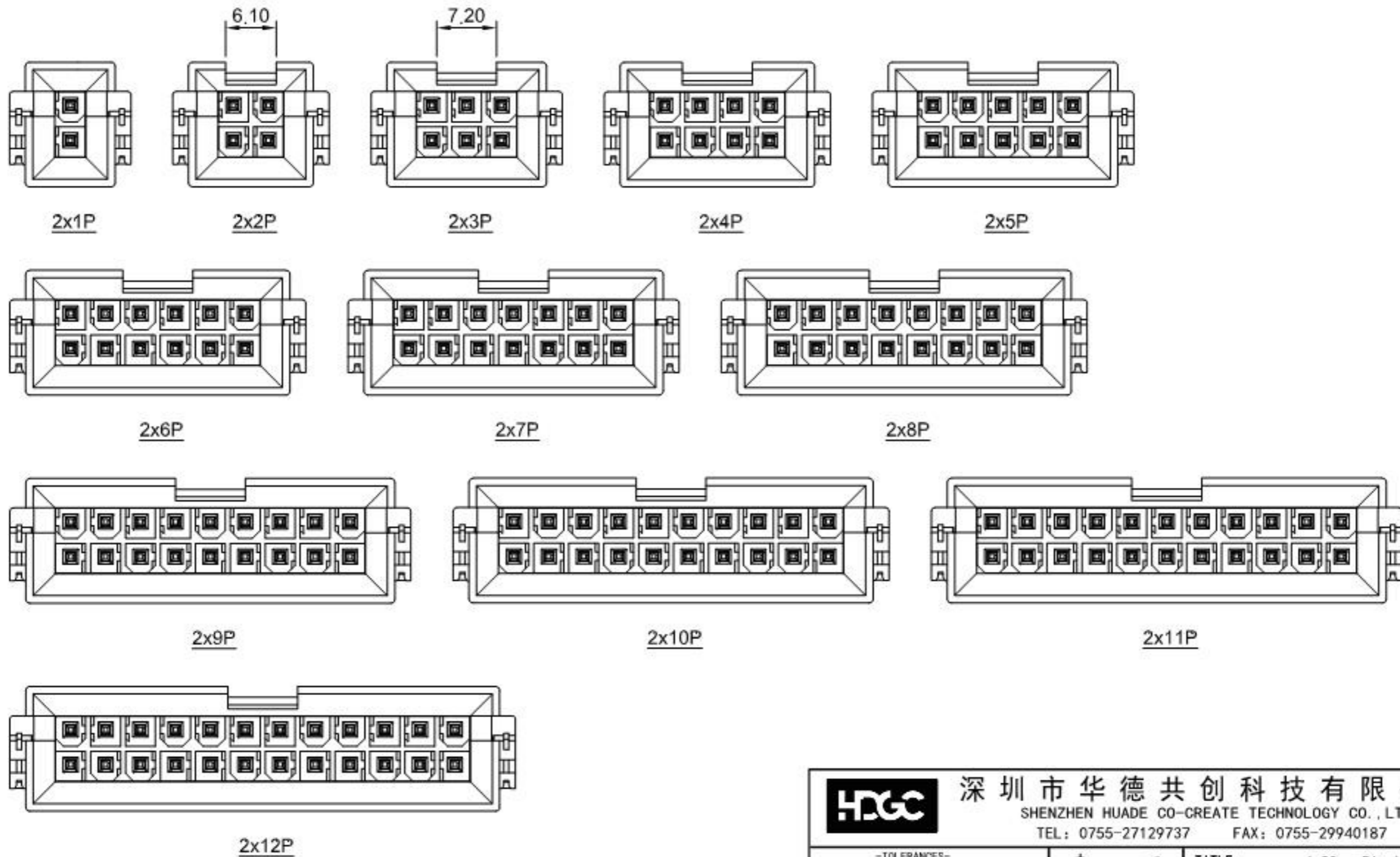
**Ordering Information & Dimensions**

Circuits	Dimensions(mm)			Circuits	Dimensions(mm)		
	A	B	C		A	B	B
2x1P	---	14.61	10.80	2x7P	25.20	39.81	36.00
2x2P	4.20	18.81	15.00	2x8P	29.40	44.01	40.20
2x3P	8.40	23.01	19.20	2x9P	33.60	48.21	44.40
2x4P	12.60	27.21	23.40	2x10P	37.80	52.41	48.60
2x5P	16.80	31.41	27.60	2x11P	42.00	56.61	52.80
2x6P	21.00	35.61	31.80	2x12P	46.20	60.81	57.00

**HDGC** 深圳市华德共创科技有限公司  
 SHENZHEN HUADE CO-CREATE TECHNOLOGY CO., LTD  
 TEL: 0755-27129737 FAX: 0755-29940187

-TOLERANCES- UNLESS OTHERWISE SPECIFIED 公差参数表				TITLE: 4.20mm Pitch 产品名称: 180° Wafer	
X.X	±0.30	X.X°	±3°	APPD: 核准:	XIE
X.XX	±0.30	X.XX°	±2°	CHECK: 校对:	WANG
X.XXX	±0.10	X.XXX°	±1°	DRAW: 绘图:	WANG
PART NO: 产品编号:		HDGC4201WVB-2xXP		DATE	2012-11-24
SCALE		1.5:1		UNIT	mm
CODE NUMBER		A008			

修订 REV	标记 MARK	修改摘要 REVISION DESCRIPTION	签名 SIGNATURE	日期 DATE
A0		NEW RELEASE	WANG	2012-11-24

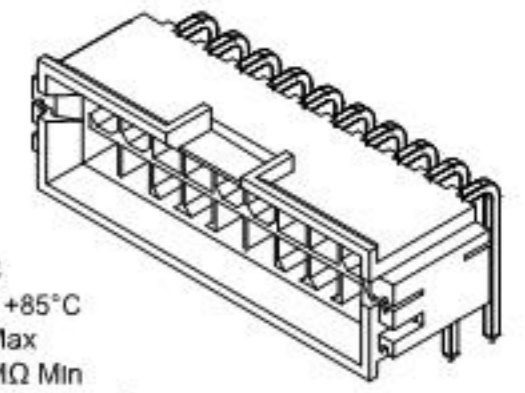
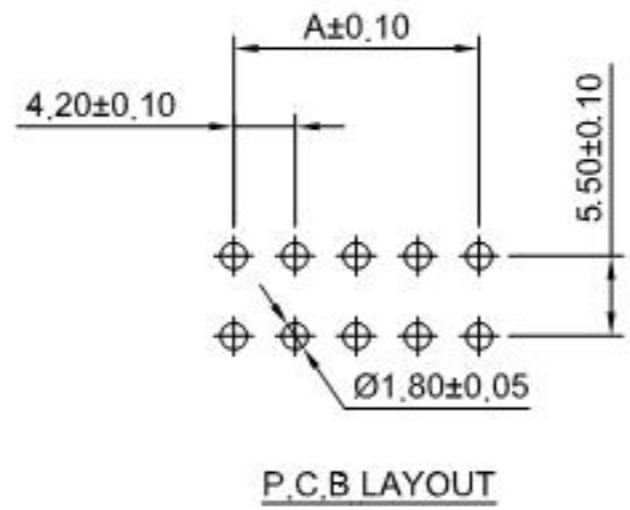
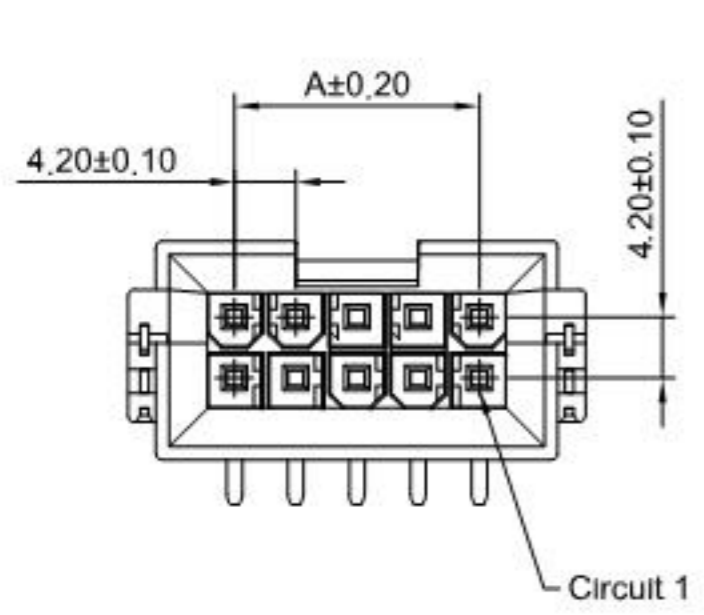


		<b>深圳市华德共创科技有限公司</b> SHENZHEN HUADE CO-CREATE TECHNOLOGY CO., LTD TEL: 0755-27129737    FAX: 0755-29940187			
		TITLE: 4.20mm Pitch 产品名称: 180° Wafer		PART NO: HDGC4201WVB-2xXP 产品编号:	
-TOLERANCES- UNLESS OTHERWISE SPECIFIED 公差参数表				DATE: 2012-11-24    SCALE: 1.5:1    UNIT: mm    CODE NUMBER: A008	
X.X	±0.30	X.X°	±3°	APPD: 核准: XIE	DATE: 2012-11-24    SCALE: 1.5:1    UNIT: mm    CODE NUMBER: A008
X.XX	±0.30	X.XX°	±2°	CHECK: 校对: WANG	
X.XXX	±0.10	X.XXX°	±1°	DRAW: 绘图: WANG	

修订 REV	标记 MARK	修改摘要 REVISION DESCRIPTION	签名 SIGNATURE	日期 DATE
A0		NEW RELEASE	WANG	2015-05-10

①  
**Ordering Information:**  
 HDGC4201WRB-2xXP - \*\*  
 1 2

- 1, Part No.  
 2, Finish:  
 (Blank): Tin over Nickel (Ni:50u" /Tin:100u")  
 G: Gold over Nickel (Au:1u" /Ni:50u" /Tin:100u")  
 G15: Gold over Nickel (Au:15u" /Ni:50u" /Tin:100u")  
 G30: Gold over Nickel (Au:30u" /Ni:50u" /Tin:100u")

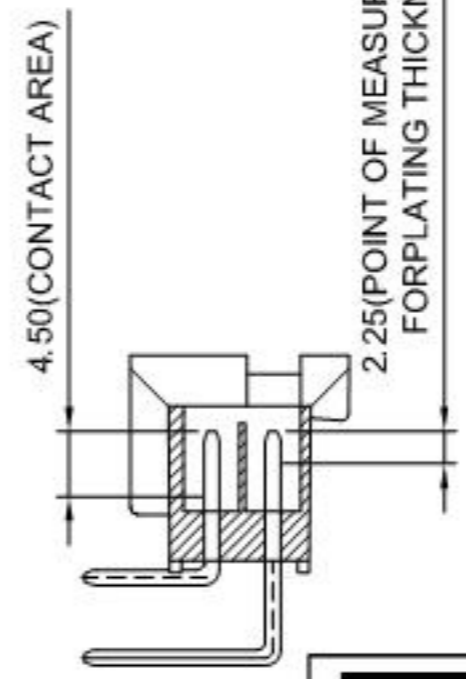
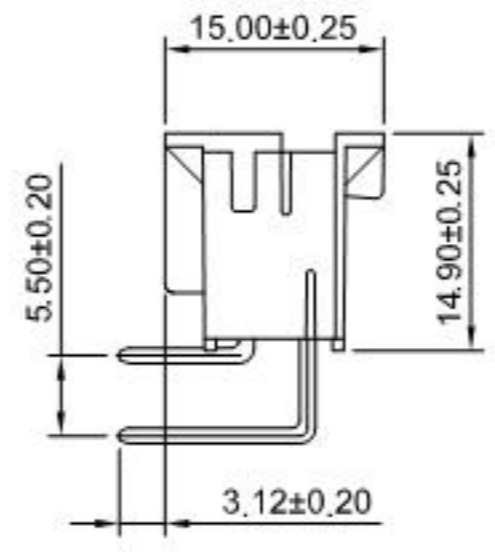
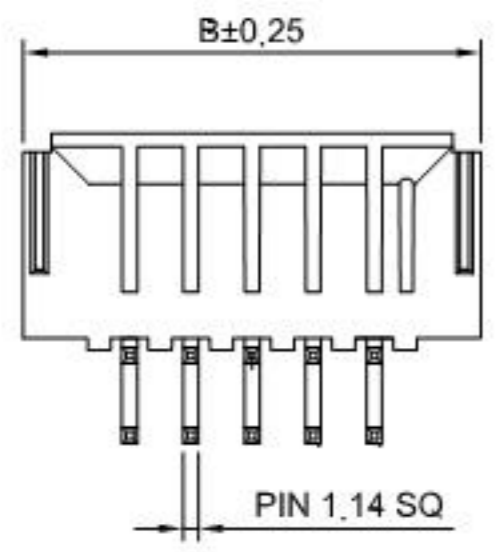


**SPECIFICATIONS:**

Current Rating: 9A AC,DC  
 Voltage Rating: 600V AC,DC  
 Temperature Range: -25°C ~ +85°C  
 Contact Resistance: 10mΩ Max  
 Insulation Resistance: 1000MΩ Min  
 Withstanding Voltage: 1500V AC/minute  
 Pin Material: Brass  
 Pin Finish: See The ①  
 Material: Nylon 66, UL94V-0(Black)

**Ordering Information & Dimensions**

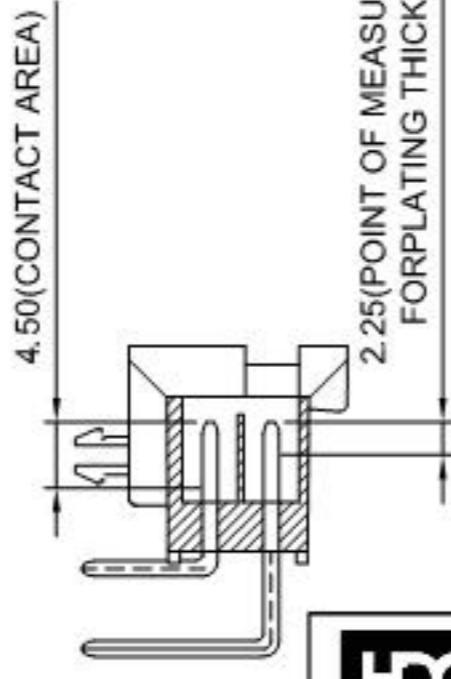
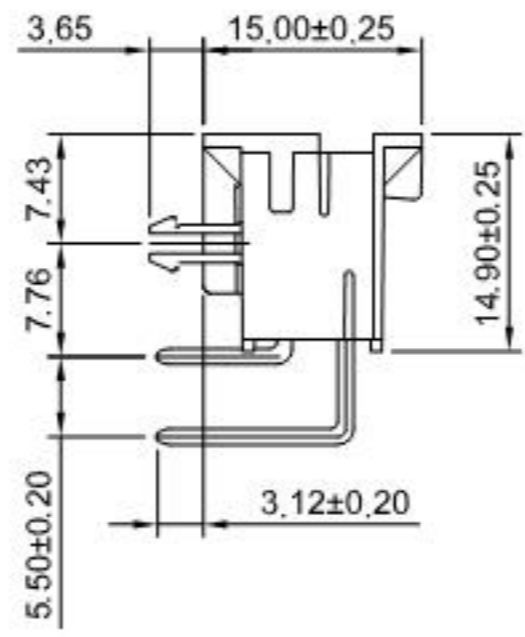
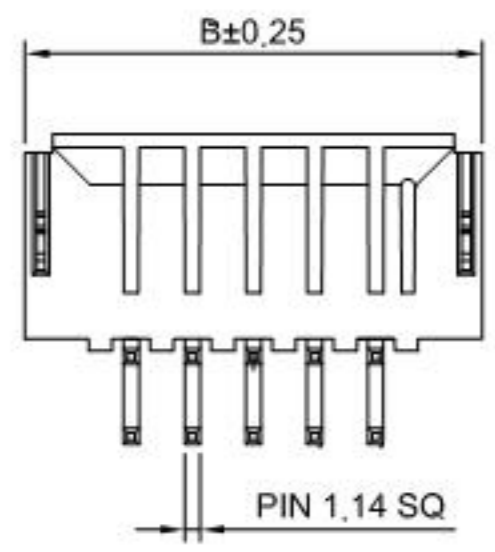
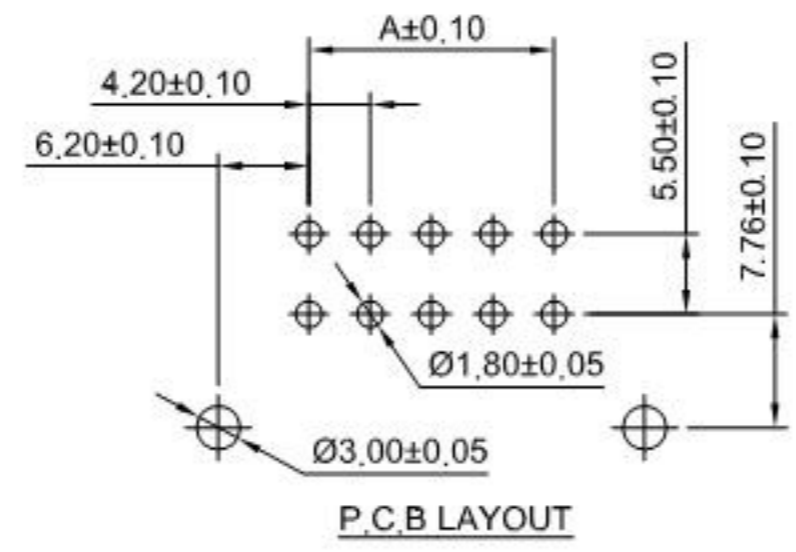
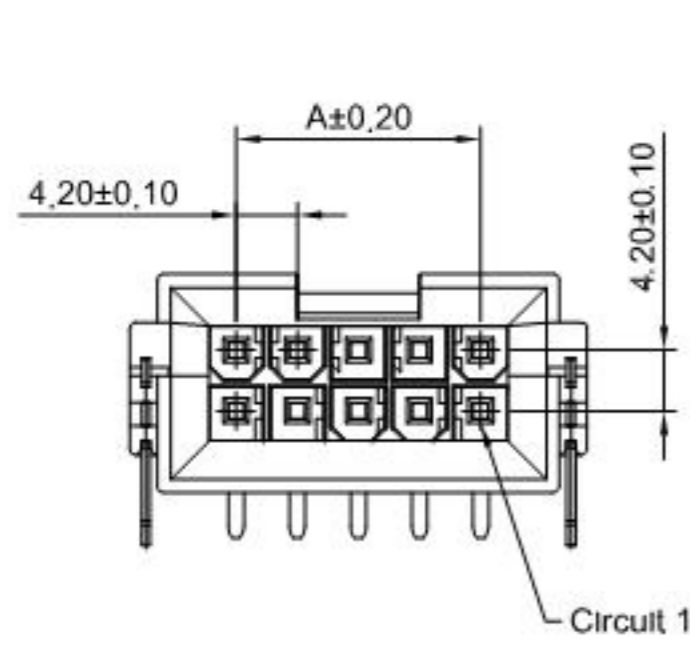
Circuits	Dimensions(mm)		Circuits	Dimensions(mm)	
	A	B		A	B
2x2P	4.20	18.81	2x8P	29.40	44.01
2x3P	8.40	23.01	2x9P	33.60	48.21
2x4P	12.60	27.21	2x10P	37.80	52.41
2x5P	16.80	31.41	2x11P	42.00	56.61
2x6P	21.00	35.61	2x12P	46.20	60.81
2x7P	25.20	39.81			



**深圳市华德共创科技有限公司**  
 SHENZHEN HUADE CO-CREATE TECHNOLOGY CO., LTD  
 TEL: 0755-27129737 FAX: 0755-29940187

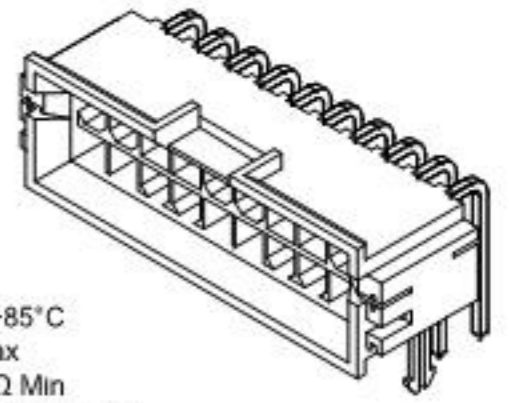
-TOLERANCES- UNLESS OTHERWISE SPECIFIED 公差参数表				TITLE: 4.20mm Pitch 产品名称: 90° Wafer	
X.X	±0.30	X.X°	±3°	APPD: 核准:	XIE
X.XX	±0.30	X.XX°	±2°	CHECK: 校对:	WANG
X.XXX	±0.10	X.XXX°	±1°	DRAW: 绘图:	WANG
PART NO: 产品编号:		DATE		SCALE	UNIT
HDGC4201WRB-2xXP		2015-05-10		1.5:1	mm
CODE NUMBER				A008	

修订 REV	标记 MARK	修改摘要 REVISION DESCRIPTION	签名 SIGNATURE	日期 DATE
A0		NEW RELEASE	WANG	2015-05-10



①  
Ordering Information:  
HDGC4201WRB-F-2xXP - \*\*  
1 2

1. Part No.  
2. Finish:  
(Blank): Tin over Nickel (Ni:50u" /Tin:100u")  
G: Gold over Nickel (Au:1u" /Ni:50u" /Tin:100u")  
G15: Gold over Nickel (Au:15u" /Ni:50u" /Tin:100u")  
G30: Gold over Nickel (Au:30u" /Ni:50u" /Tin:100u")



**SPECIFICATIONS:**  
Current Rating: 9A AC,DC  
Voltage Rating: 600V AC,DC  
Temperature Range: -25°C ~ +85°C  
Contact Resistance: 10mΩ Max  
Insulation Resistance: 1000MΩ Min  
Withstanding Voltage: 1500V AC/minute  
Pin Material: Brass  
Pin Finish: See The ①  
Material: Nylon 66,UL94V-0(Black)

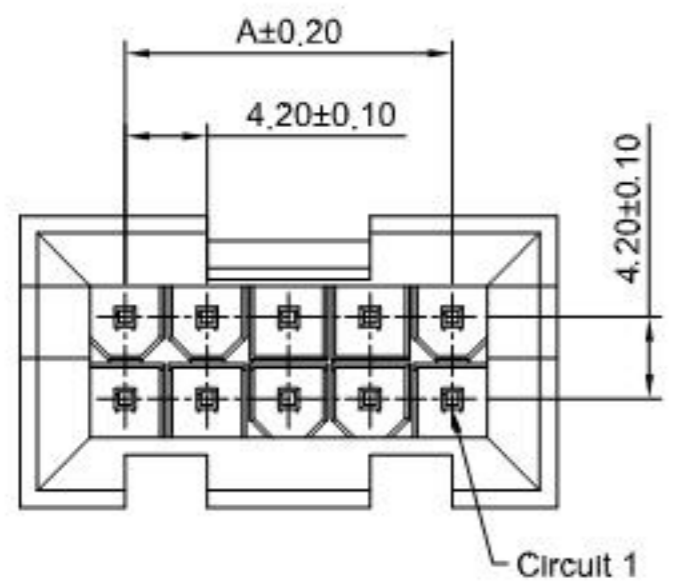
Ordering Information & Dimensions

Circuits	Dimensions(mm)		Circuits	Dimensions(mm)	
	A	B		A	B
2x2P	4.20	18.81	2x8P	29.40	44.01
2x3P	8.40	23.01	2x9P	33.60	48.21
2x4P	12.60	27.21	2x10P	37.80	52.41
2x5P	16.80	31.41	2x11P	42.00	56.61
2x6P	21.00	35.61	2x12P	46.20	60.81
2x7P	25.20	39.81			

**HDGC** 深圳市华德共创科技有限公司  
SHENZHEN HUADE CO-CREATE TECHNOLOGY CO., LTD  
TEL: 0755-27129737 FAX: 0755-29940187

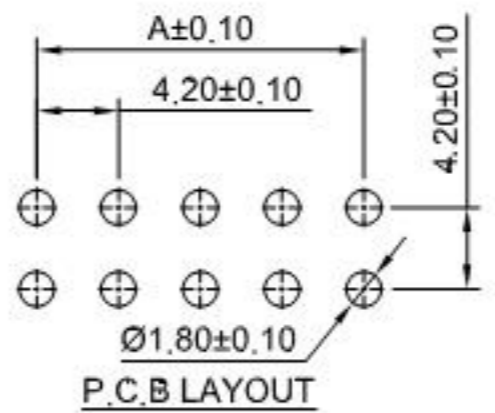
-TOLERANCES- UNLESS OTHERWISE SPECIFIED 公差参数表				TITLE: 4.20mm Pitch 产品名称: 90° Wafer	
X.X	±0.30	X.X°	±3°	APPD: 核准:	XIE
X.XX	±0.30	X.XX°	±2°	CHECK: 校对:	WANG
X.XXX	±0.10	X.XXX°	±1°	DRAW: 绘图:	WANG
PART NO: 产品编号:		HDGC4201WRB-F-2xXP		DATE	2015-05-10
SCALE		1.5:1	UNIT	mm	CODE NUMBER
					A008

修订 REV	标记 MARK	修改摘要 REVISION DESCRIPTION	签名 SIGNATURE	日期 DATE
A0		NEW RELEASE	WANG	2018-06-25



Ordering Information:  
 HDGC4201WVC-2xXP -      -      -      -       
 1                    2                    3                    4

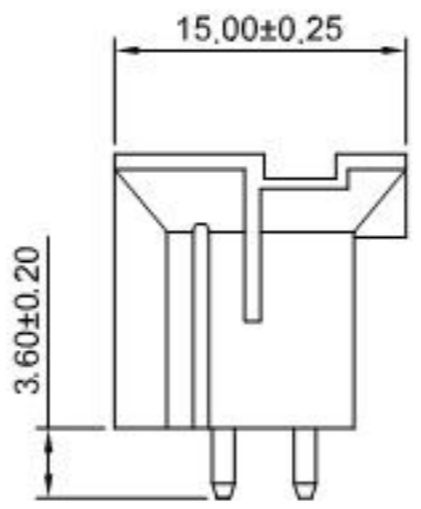
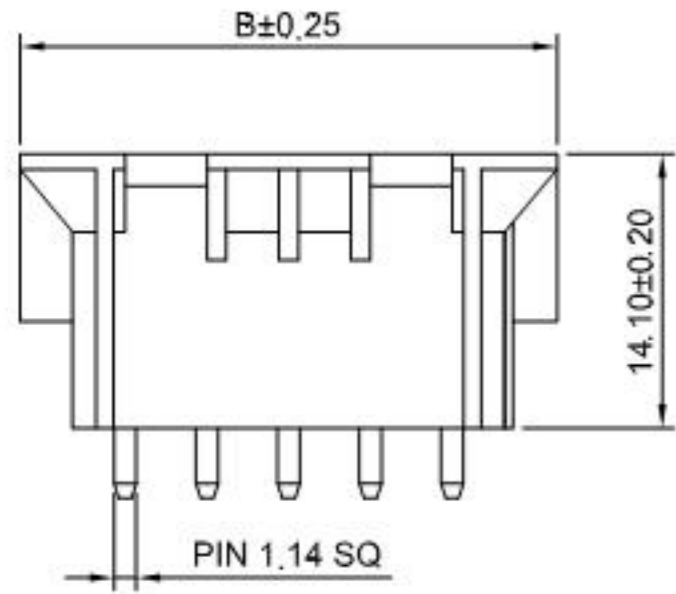
- Part No.
- Material:  
 (blank): Nylon 66 UL94V-2  
 V0: Nylon 66 UL94V-0  
 GWT: Nylon 66 UL94V-0, GWT 750°C
- Color:  
 (blank): Natural  
 WH: White  
 BK: Black  
 RD: Red  
 YL: Yellow  
 BL: Blue
- Finish:  
 (blank): Tin over Nickel  
 G: Gold over Nickel(1u")  
 G3: Gold over Nickel(3u")  
 G15: Gold over Nickel(15u")  
 G30: Gold over Nickel(30u")



**SPECIFICATIONS:**  
 Current Rating: 13A AC,DC(Max)(Maximum current up to 13A when using the HDGC4201F-TCA-HH series terminal)  
 Voltage Rating: 600V AC,DC  
 Temperature Range: -25°C ~ +85°C  
 Contact Resistance: 10mΩ Max  
 Insulation Resistance: 1000MΩ Min  
 Withstanding Voltage: 1500V AC/minute  
 Pin Material: Brass/Tin over Nickel  
 Material: Nylon 66, UL94V-2(Natural)

Ordering Information & Dimensions

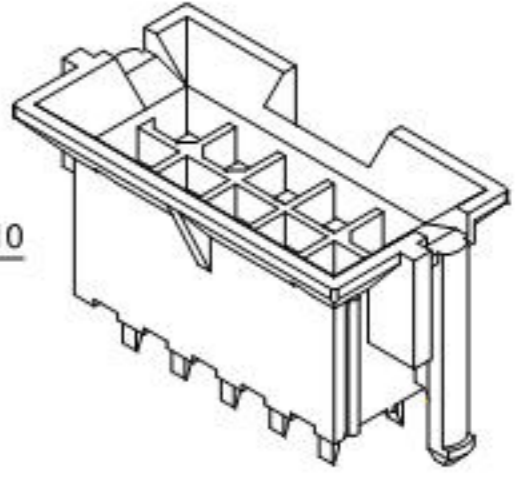
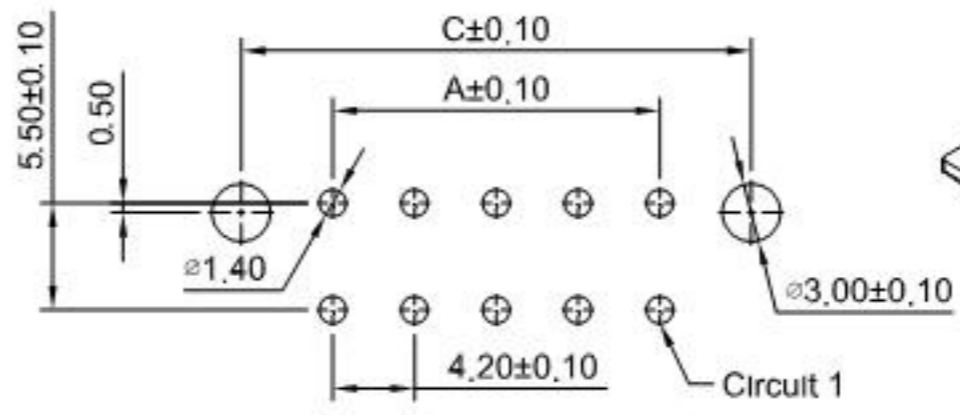
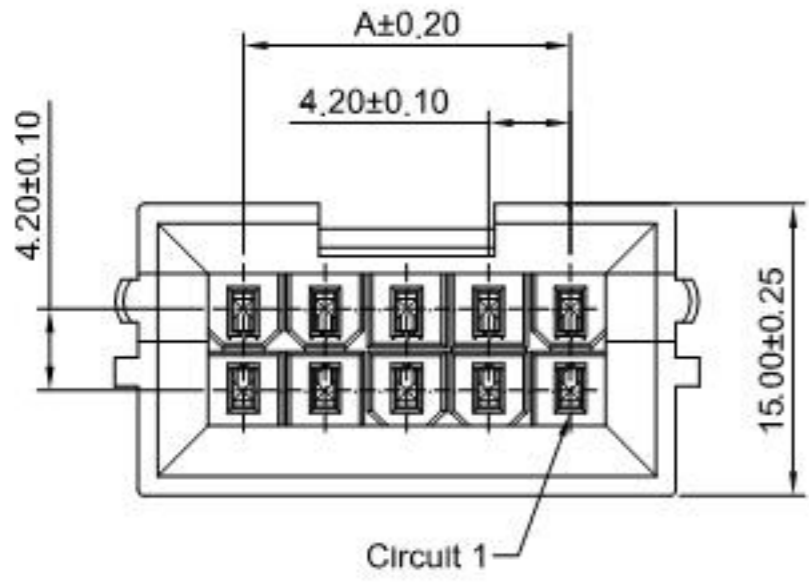
Circuits	Dimensions(mm)		Circuits	Dimensions(mm)	
	A	B		A	B
2x1P	----	10.80	2x8P	29.40	40.20
2x2P	4.20	15.00	2x9P	33.60	44.40
2x3P	8.40	19.20	2x10P	37.80	48.60
2x4P	12.60	23.40	2x11P	42.00	52.80
2x5P	16.80	27.60	2x12P	46.20	57.00
2x6P	21.00	31.80	2x18P	71.40	82.20
2x7P	25.20	36.00			



深圳市华德共创科技有限公司  
 SHENZHEN HUADE CO-CREATE TECHNOLOGY CO., LTD  
 TEL: 0755-27129737 FAX: 0755-29940187

-TOLERANCES- UNLESS OTHERWISE SPECIFIED 公差参数表				TITLE: 4.20mm Pitch 产品名称: 180° Wafer	
X.X	±0.30	X.X°	±3°	APPD: 核准:	XIE
X.XX	±0.30	X.XX°	±2°	CHECK: 校对:	WANG
X.XXX	±0.10	X.XXX°	±1°	DRAW: 绘图:	WANG
PART NO: 产品编号:		HDGC4201WVC-2xXP		DATE	2018-06-25
SCALE		2:1		UNIT	mm
CODE NUMBER		A008			

修订 REV	标记 MARK	修改摘要 REVISION DESCRIPTION	签名 SIGNATURE	日期 DATE
A0		NEW RELEASE	WANG	2018-06-25



Ordering Information:  
 HDGC4201WVD-F1-2xXP -  $\frac{***}{1}$  -  $\frac{**}{2}$  -  $\frac{***}{3}$  -  $\frac{***}{4}$

- Part No.
- Material:  
 (blank):Nylon 66 UL94V-2  
 V0:Nylon 66 UL94V-0  
 GWT:Nylon 66 UL94V-0,GWT 750°C
- Color:  
 (blank):Natural  
 WH:White  
 BK:Black  
 RD:Red  
 YL:Yellow  
 BL:Blue
- Finish:  
 (blank):Tin over Nickel  
 G:Gold over Nickel(1u")  
 G3:Gold over Nickel(3u")  
 G15:Gold over Nickel(15u")  
 G30:Gold over Nickel(30u")

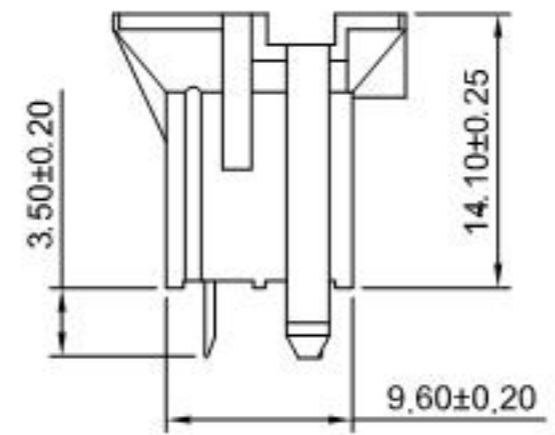
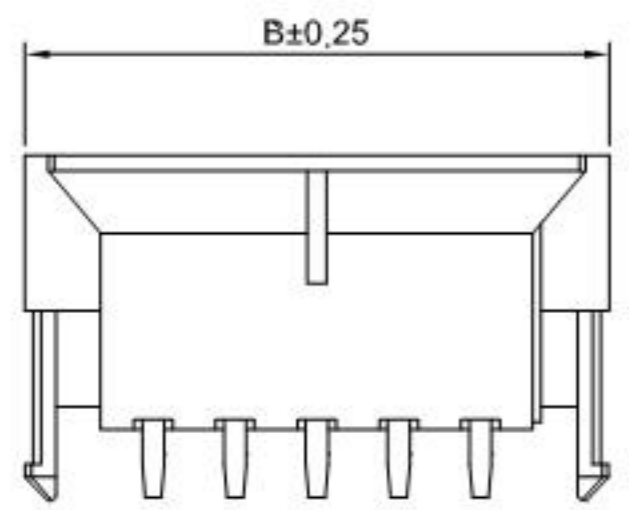
PCB LAYOUT:Component Side  
 Recommended PCB Thickness 1.78MAX

**SPECIFICATIONS:**

Current Rating: 11A AC,DC(Max)(Maximum current up to 11A when using the HDGC4201F-TCA-HH series terminal)  
 Voltage Rating: 600V AC,DC  
 Temperature Range: -25°C ~ +85°C  
 Contact Resistance: 10mΩ Max  
 Insulation Resistance: 1000MΩ Min  
 Withstanding Voltage: 1500V AC/minute  
 Pin Material: Brass/Tin over Nickel  
 Material: Nylon 66,UL94V-2(Natural)

**Ordering Information & Dimensions**

Circuits	Dimensions(mm)			Circuits	Dimensions(mm)		
	A	B	C		A	B	C
2x1P	----	13.20	9.40	2x8P	29.40	42.60	38.80
2x2P	4.20	17.40	13.60	2x9P	33.60	46.80	43.00
2x3P	8.40	21.60	17.80	2x10P	37.80	51.00	47.20
2x4P	12.60	25.80	22.00	2x11P	42.00	55.20	51.40
2x5P	16.80	30.00	26.20	2x12P	46.20	59.40	55.60
2x6P	21.00	34.20	30.40	2x18P	71.40	84.60	80.80
2x7P	25.20	38.40	34.60				



**深圳市华德共创科技有限公司**  
 SHENZHEN HUADE CO-CREATE TECHNOLOGY CO., LTD  
 TEL: 0755-27129737 FAX: 0755-29940187

-TOLERANCES- UNLESS OTHERWISE SPECIFIED 公差参数表		 	TITLE: 4.20mm Pitch 产品名称: 180° Wafer	
X.X	±0.30	X.X°	±3°	APPD: 核准: XIE
X.XX	±0.30	X.XX°	±2°	CHECK: 校对: WANG
X.XXX	±0.10	X.XXX°	±1°	DRAW: 绘图: WANG
		DATE: 2018-06-25	SCALE: 2:1	UNIT: mm
		PART NO: HDGC4201WVD-F1-2xXP		CODE NUMBER: A008

修订 REV	标记 MARK	修改摘要 REVISION DESCRIPTION	签名 SIGNATURE	日期 DATE
A0		NEW RELEASE	WANG	2018-06-25

**Ordering Information:**

HDGC4201WV-S-2xXP - <sup>\*\*\*</sup>/<sub>2</sub> - <sup>\*\*\*</sup>/<sub>3</sub>

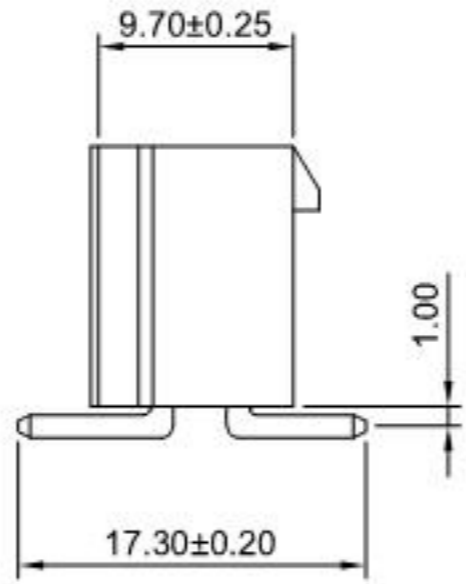
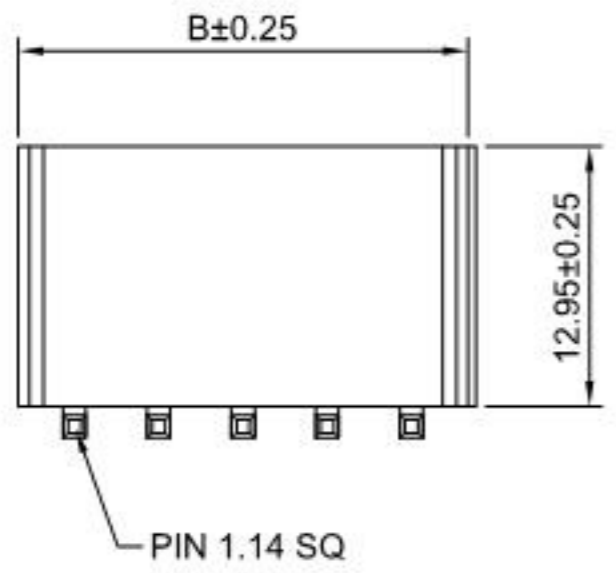
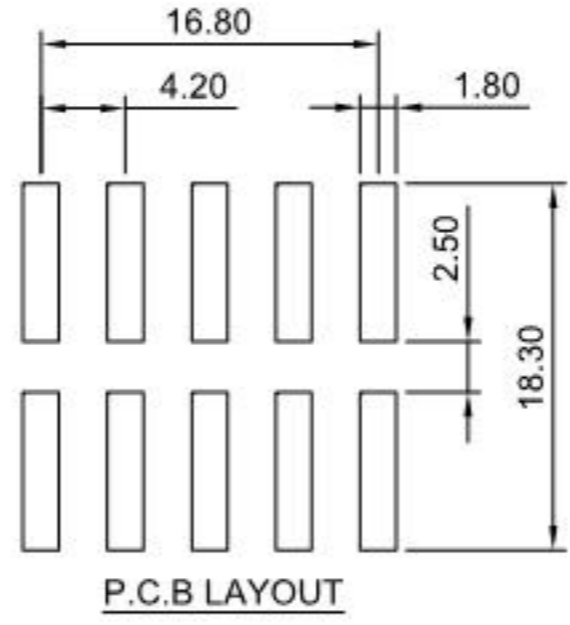
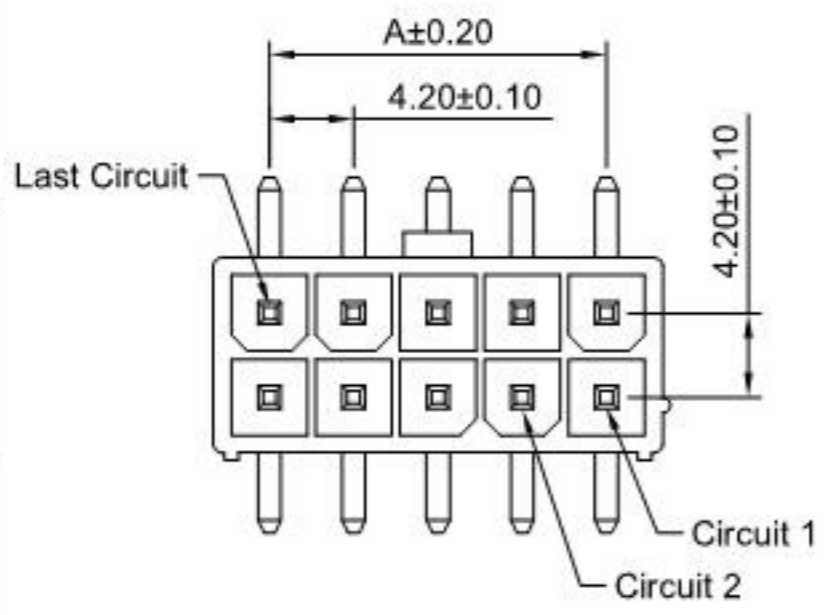
- 1.Part No.
- 2.Material:  
(blank):Nylon 6T,UL94V-0/Natural  
LCP:LCP,UL94V-0/White  
GWT:Nylon 6T,UL94V-0,GWT 750°C
- 3.Pin Material and Finish:  
(blank):Brass/Tin over Nickel  
G:Brass/Gold over Nickel  
G15:Brass/Gold over Nickel(15u")  
G30:Brass/Gold over Nickel(30u")  
TCA:Copper Alloy/Tin over Nickel  
GCA:Copper Alloy/Gold over Nickel  
GCA-G30:Copper Alloy/Gold over Nickel(30u")

**SPECIFICATIONS:**

Current Rating: 13A AC,DC(Max)(Maximum current up to 13A when using the HDGC4201F-TCA-HH series terminal)  
Voltage Rating: 600V AC,DC  
Temperature Range: -25°C ~ +85°C  
Contact Resistance: 10mΩ Max  
Insulation Resistance: 1000MΩ Min  
Withstanding Voltage: 1500V AC/minute  
Pin Material:Brass/Tin over Nickel  
Material: Nylon 6T,UL94V-0(natural)

**Ordering Information & Dimensions**

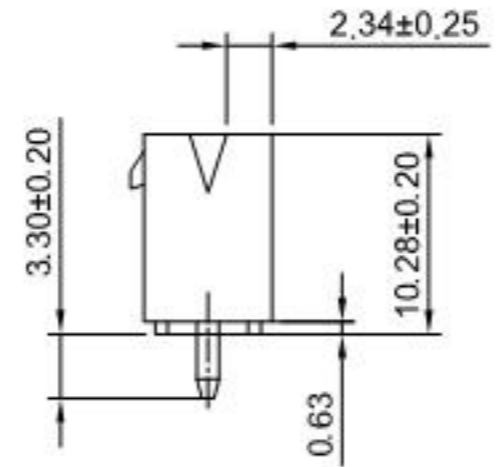
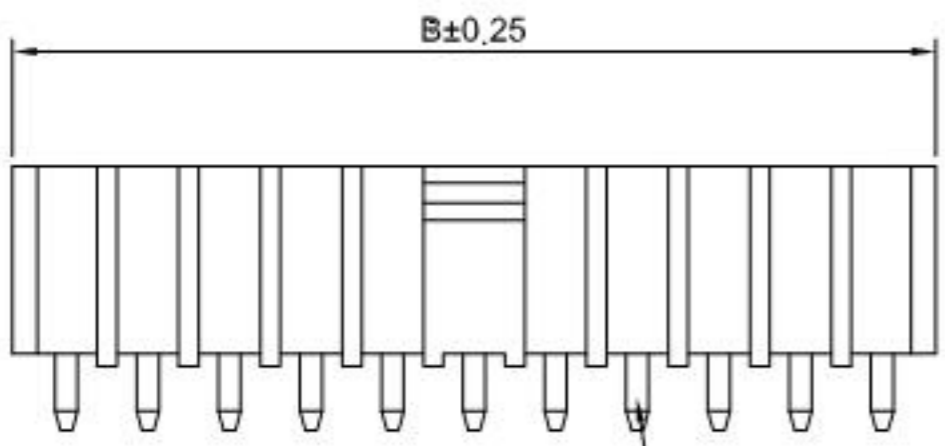
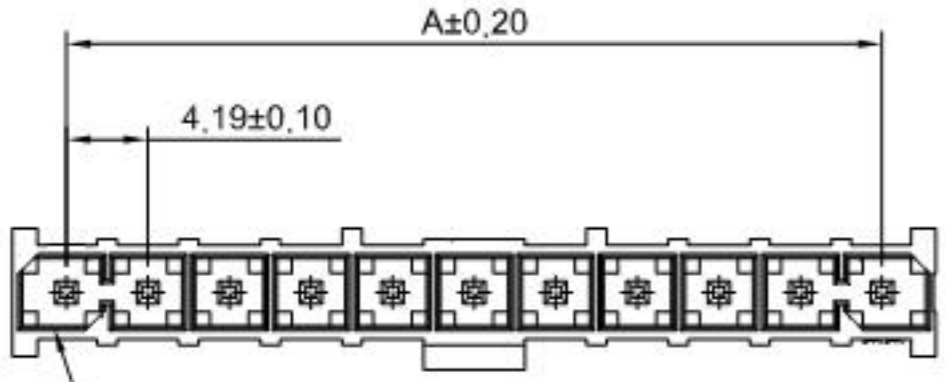
Circuits	Dimensions(mm)		Circuits	Dimensions(mm)	
	A	B		A	B
2x1P	---	5.60	2x7P	25.20	30.80
2x2P	4.20	9.80	2x8P	29.40	35.00
2x3P	8.40	14.00	2x9P	33.60	39.20
2x4P	12.60	18.20	2x10P	37.80	43.40
2x5P	16.80	22.40	2x11P	42.00	47.60
2x6P	21.00	26.60	2x12P	46.20	51.80



**深圳市华德共创科技有限公司**  
SHENZHEN HUADE CO-CREATE TECHNOLOGY CO.,LTD  
TEL: 0755-27129737 FAX: 0755-29940187

-TOLERANCES- UNLESS OTHERWISE SPECIFIED 公差参数表						TITLE: 4.20mm Pitch 产品名称: 180° Wafer			
X.X	±0.30	X.X°	±3°	APPD: 核准:	XIE	PART NO: 产品编号: HDGC4201WV-S-2xXP			
X.XX	±0.30	X.XX°	±2°	CHECK: 校对:	WANG	DATE	SCALE	UNIT	CODE NUMBER
X.XXX	±0.10	X.XXX°	±1°	DRAW: 绘图:	WANG	2018-06-25	2:1	mm	A008

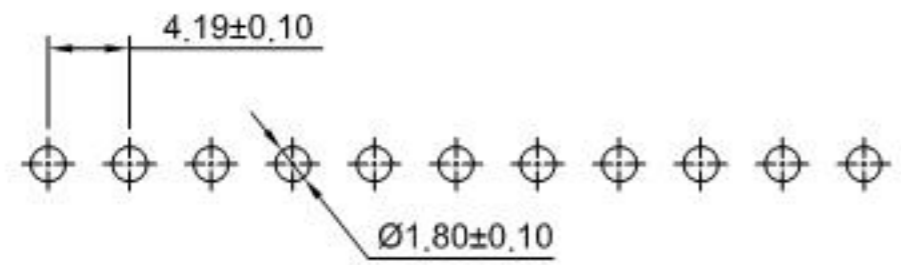
修订 REV	标记 MARK	修改摘要 REVISION DESCRIPTION	签名 SIGNATURE	日期 DATE
A0		NEW RELEASE	WANG	2015-03-11



**SPECIFICATIONS:**  
 Current Rating: 9A AC,DC  
 Voltage Rating: 600V AC,DC  
 Temperature Range: -25°C ~ +85°C  
 Contact Resistance: 10mΩ Max  
 After environmental testing: 20mΩ Max  
 Insulation Resistance: 1000MΩ Min  
 Withstanding Voltage: 1500V AC/minute  
 Pin Material: Brass/Tin over Nickel  
 Material: LCP, UL94V-0(Black)

**Ordering Information & Dimensions**

Circuits	Dimensions(mm)		Circuits	Dimensions(mm)	
	A	B		A	B
2P	4.19	9.40	9P	33.52	38.73
3P	8.38	13.59	10P	37.71	42.92
4P	12.57	17.78	11P	41.90	47.11
5P	16.76	21.97	12P	46.09	51.30
6P	20.95	26.16	13P	50.28	55.49
7P	25.14	30.35	14P	54.47	59.68
8P	29.33	34.54	15P	58.66	63.87

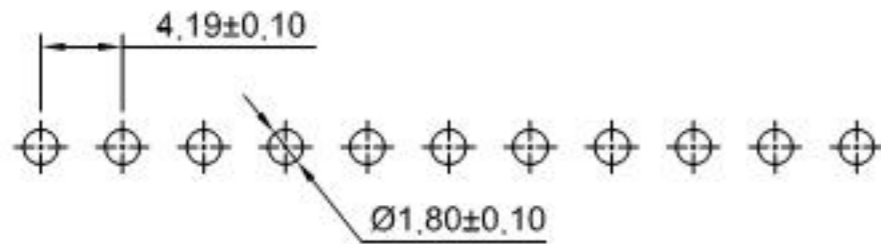
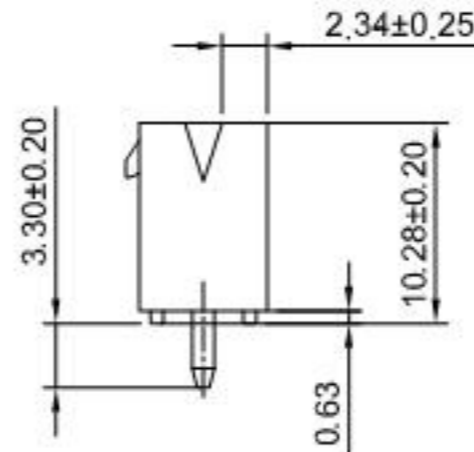
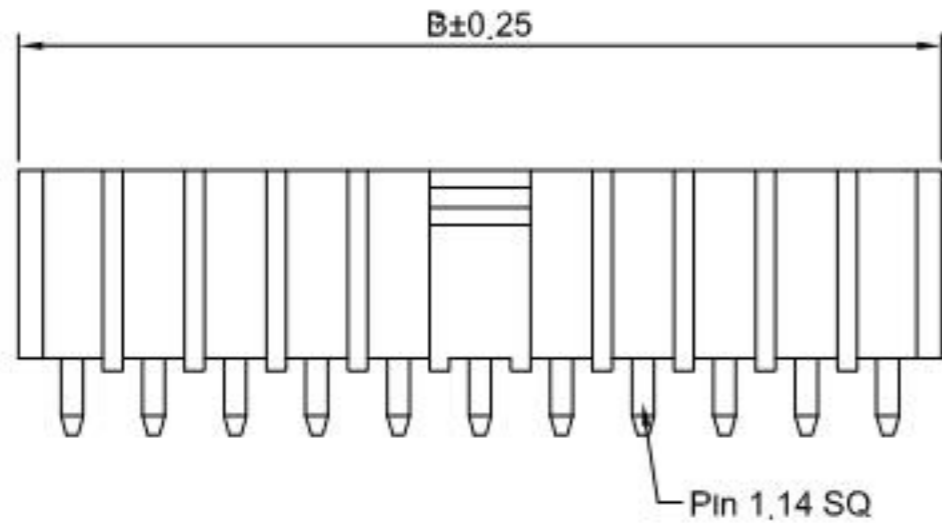
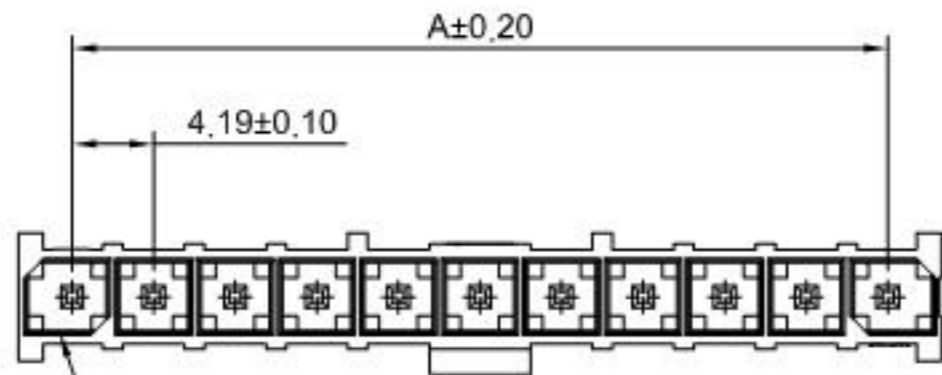


**P.C.B LAYOUT**

**HDGC** 深圳市华德共创科技有限公司  
 SHENZHEN HUADE CO-CREATE TECHNOLOGY CO., LTD  
 TEL: 0755-27129737 FAX: 0755-29940187

-TOLERANCES- UNLESS OTHERWISE SPECIFIED 公差参数表				TITLE: 4.19mm Pitch 产品名称: 180° Wafer	
X.X	±0.30	X.X°	±3°	APPD: 核准:	XIE
X.XX	±0.30	X.XX°	±2°	CHECK: 校对:	WANG
X.XXX	±0.10	X.XXX°	±1°	DRAW: 绘图:	WANG
PART NO: 产品编号:		HDGC4201WVS-XP		DATE	2015-03-11
SCALE		2:1	UNIT	mm	CODE NUMBER
					A008

修订 REV	标记 MARK	修改摘要 REVISION DESCRIPTION	签名 SIGNATURE	日期 DATE
A0		NEW RELEASE	WANG	2015-03-11



P.C.B LAYOUT

**SPECIFICATIONS:**

Current Rating: 9A AC,DC  
Voltage Rating: 600V AC,DC  
Temperature Range: -25°C ~ +85°C  
Contact Resistance: 10mΩ Max  
After environmental testing: 20mΩ Max  
Insulation Resistance: 1000MΩ Min  
Withstanding Voltage: 1500V AC/minute  
Pin Material: Brass/Tin over Nickel  
Material: LCP, UL94V-0(Black)

**Ordering Information & Dimensions**

Circuits	Dimensions(mm)		Circuits	Dimensions(mm)	
	A	B		A	B
2P	4.19	9.40	9P	33.52	38.73
3P	8.38	13.59	10P	37.71	42.92
4P	12.57	17.78	11P	41.90	47.11
5P	16.76	21.97	12P	46.09	51.30
6P	20.95	26.16	13P	50.28	55.49
7P	25.14	30.35	14P	54.47	59.68
8P	29.33	34.54	15P	58.66	63.87



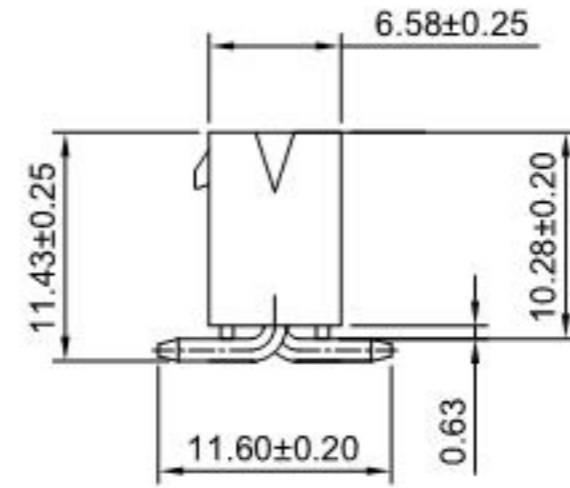
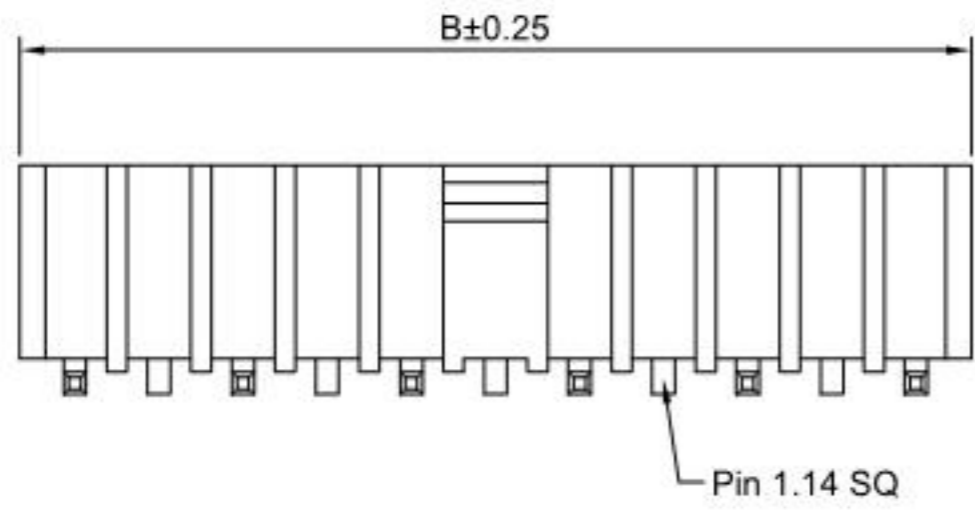
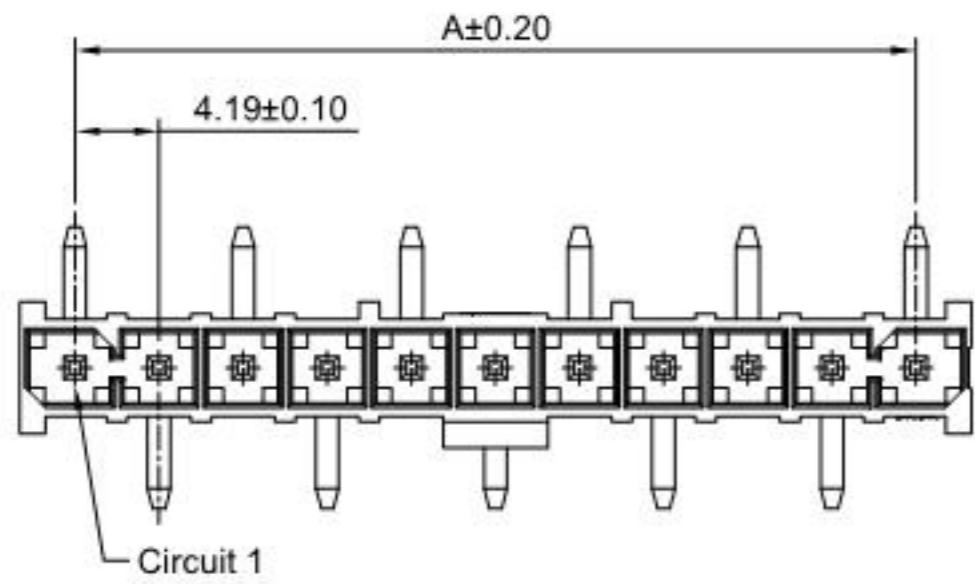
深圳市华德共创科技有限公司

SHENZHEN HUADE CO-CREATE TECHNOLOGY CO., LTD

TEL: 0755-27129737 FAX: 0755-29940187

-TOLERANCES- UNLESS OTHERWISE SPECIFIED 公差参数表						TITLE: 4.19mm Pitch 产品名称: 180° Wafer			
X.X	±0.30	X.X°	±3°	APPD: 核准:	XIE	PART NO: 产品编号: HDGC4201WVSB-XP			
X.XX	±0.30	X.XX°	±2°	CHECK: 校对:	WANG	DATE	SCALE	UNIT	CODE NUMBER
X.XXX	±0.10	X.XXX°	±1°	DRAW: 绘图:	WANG	2015-03-11	2:1	mm	A008

修订 REV	标记 MARK	修改摘要 REVISION DESCRIPTION	签名 SIGNATURE	日期 DATE
A0		NEW RELEASE	WANG	2015-03-11

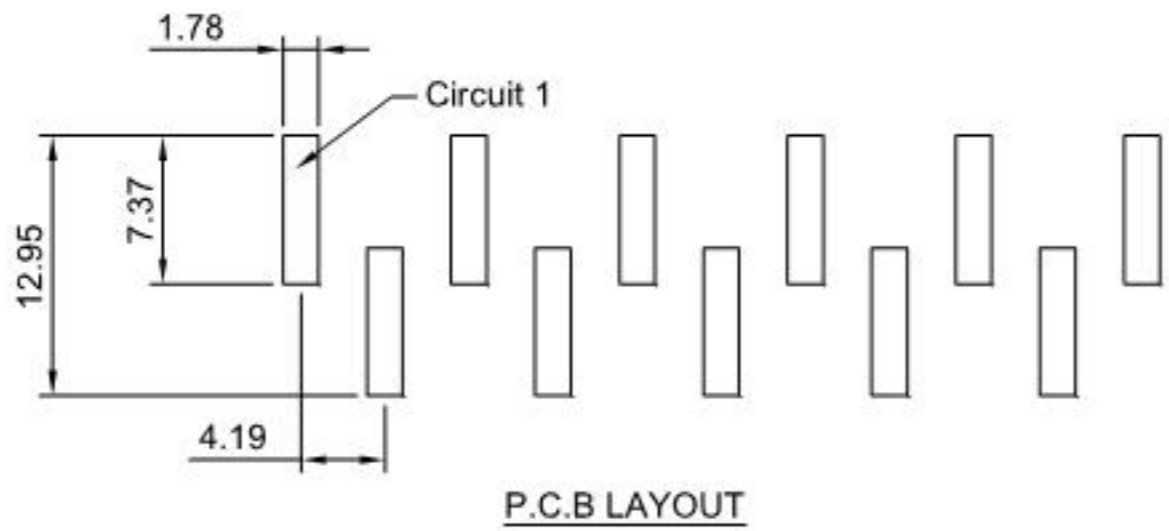


**SPECIFICATIONS:**

Current Rating: 9A AC,DC  
Voltage Rating: 600V AC,DC  
Temperature Range: -25°C ~ +85°C  
Contact Resistance: 10mΩ Max  
After environmental testing: 20mΩ Max  
Insulation Resistance: 1000MΩ Min  
Withstanding Voltage: 1500V AC/minute  
Pin Material: Brass/Tin over Nickel  
Material: LCP, UL94V-0(Black)

**Ordering Information & Dimensions**

Circuits	Dimensions(mm)		Circuits	Dimensions(mm)	
	A	B		A	B
2P	4.19	9.40	9P	33.52	38.73
3P	8.38	13.59	10P	37.71	42.92
4P	12.57	17.78	11P	41.90	47.11
5P	16.76	21.97	12P	46.09	51.30
6P	20.95	26.16	13P	50.28	55.49
7P	25.14	30.35	14P	54.47	59.68
8P	29.33	34.54	15P	58.66	63.87

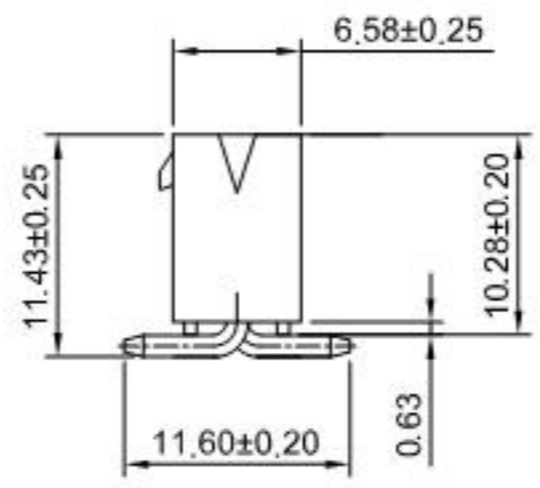
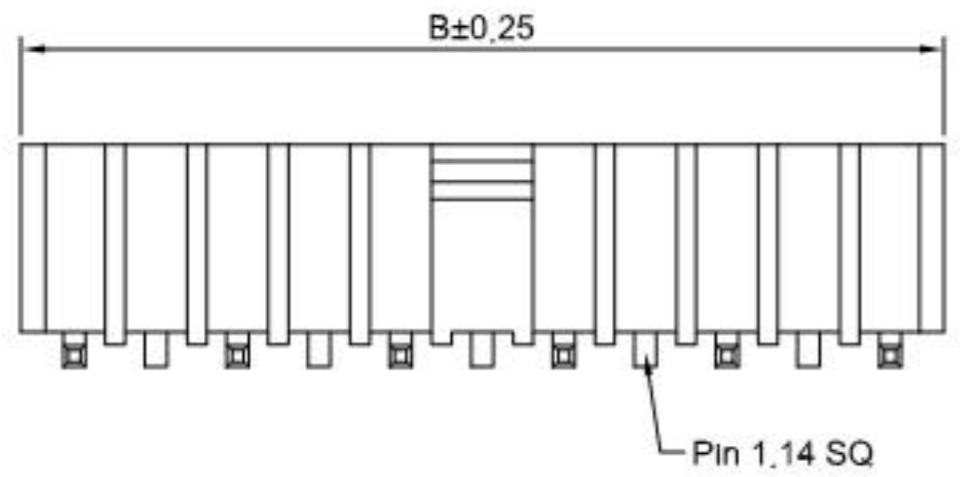
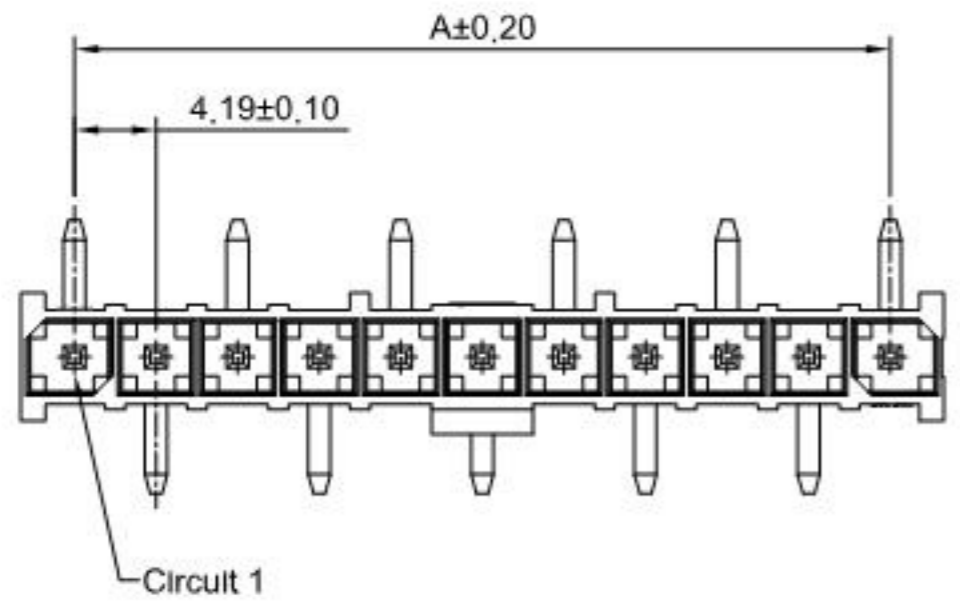


**P.C.B LAYOUT**

**HDGC** 深圳市华德共创科技有限公司  
SHENZHEN HUADE CO-CREATE TECHNOLOGY CO., LTD  
TEL: 0755-27129737 FAX: 0755-29940187

-TOLERANCES- UNLESS OTHERWISE SPECIFIED 公差参数表				TITLE: 4.19mm Pitch 产品名称: 180° Wafer	
X.X	±0.30	X.X°	±3°	APPD: 核准:	XIE
X.XX	±0.30	X.XX°	±2°	CHECK: 校对:	WANG
X.XXX	±0.10	X.XXX°	±1°	DRAW: 绘图:	WANG
PART NO: 产品编号:		DATE		SCALE	UNIT
HDGC4201WVS-S-XP		2015-03-11		2:1	mm
CODE NUMBER				A008	

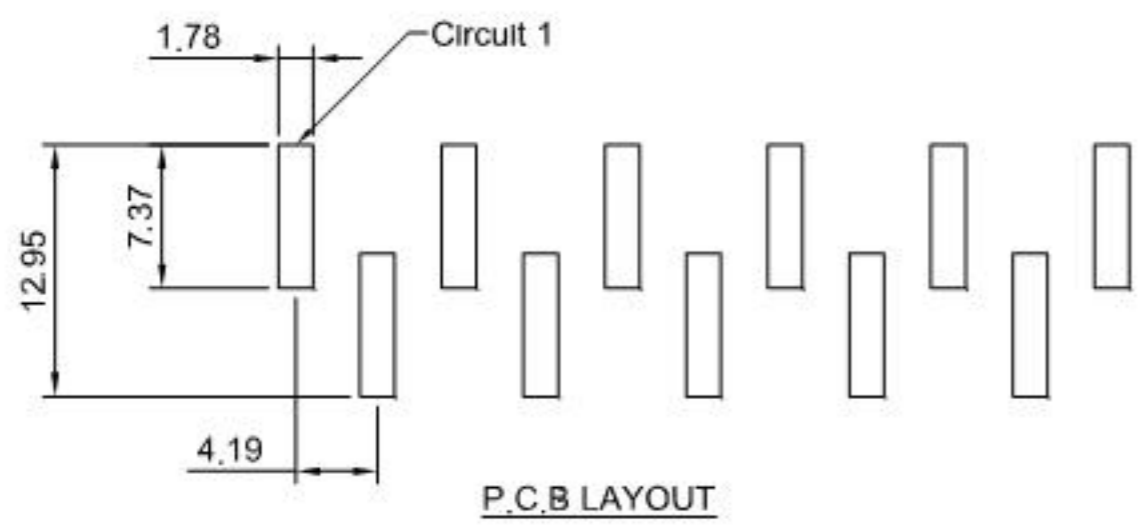
修订 REV	标记 MARK	修改摘要 REVISION DESCRIPTION	签名 SIGNATURE	日期 DATE
A0		NEW RELEASE	WANG	2015-03-11



**SPECIFICATIONS:**  
 Current Rating: 9A AC,DC  
 Voltage Rating: 600V AC,DC  
 Temperature Range: -25°C ~ +85°C  
 Contact Resistance: 10mΩ Max  
 After environmental testing: 20mΩ Max  
 Insulation Resistance: 1000MΩ Min  
 Withstanding Voltage: 1500V AC/minute  
 Pin Material: Brass/Tin over Nickel  
 Material: LCP, UL94V-0(Black)

**Ordering Information & Dimensions**

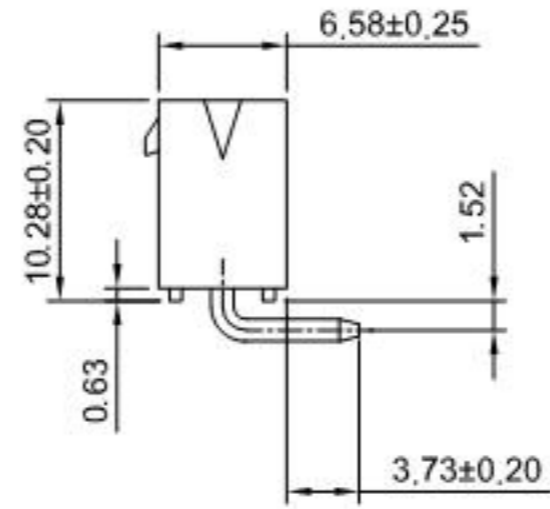
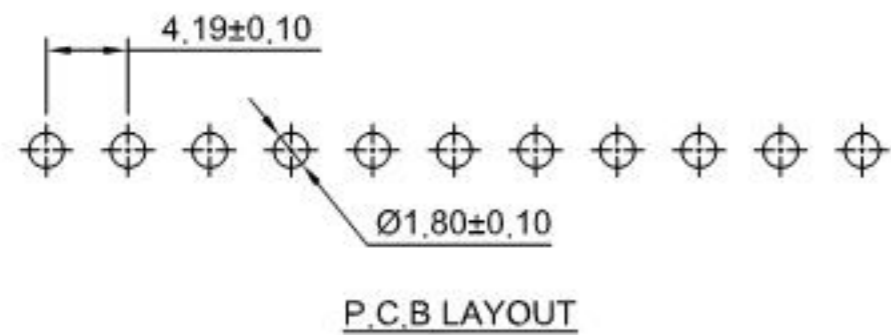
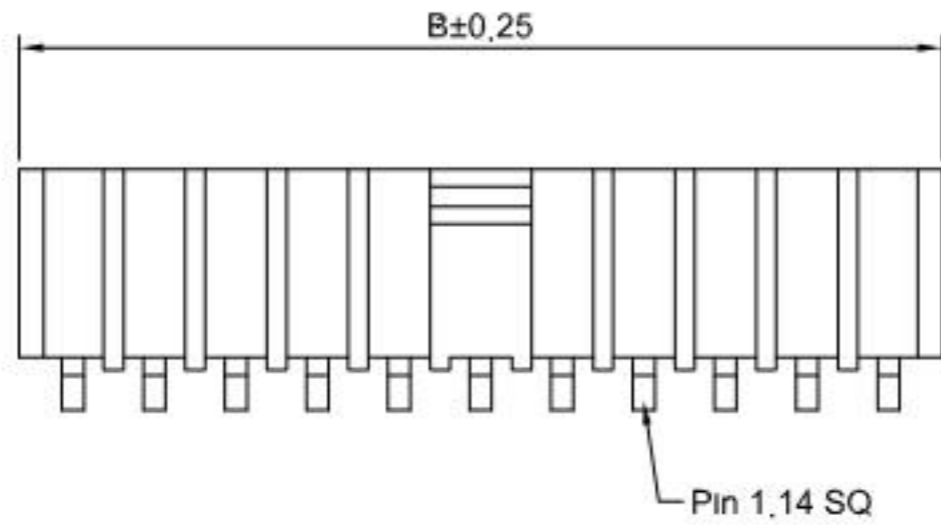
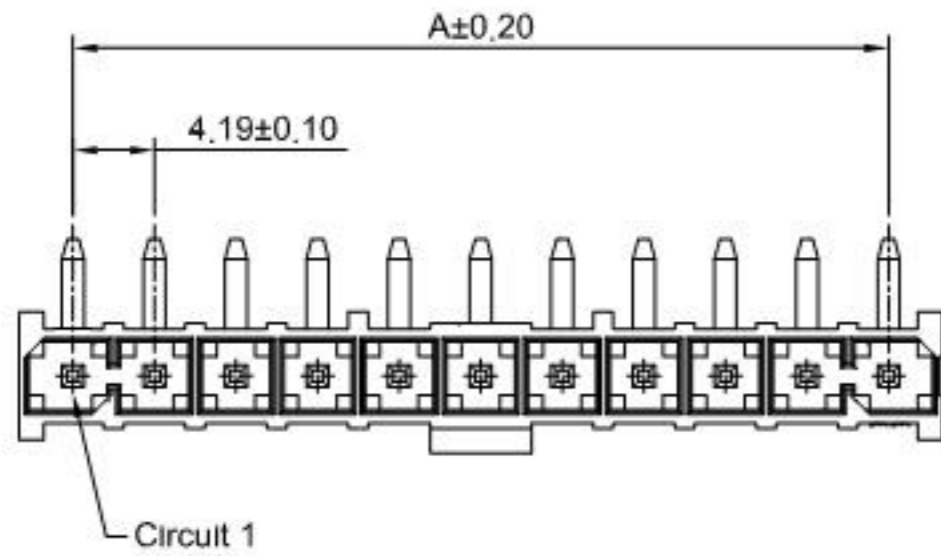
Circuits	Dimensions(mm)		Circuits	Dimensions(mm)	
	A	B		A	B
2P	4.19	9.40	9P	33.52	38.73
3P	8.38	13.59	10P	37.71	42.92
4P	12.57	17.78	11P	41.90	47.11
5P	16.76	21.97	12P	46.09	51.30
6P	20.95	26.16	13P	50.28	55.49
7P	25.14	30.35	14P	54.47	59.68
8P	29.33	34.54	15P	58.66	63.87



**HDGC** 深圳市华德共创科技有限公司  
 SHENZHEN HUADE CO-CREATE TECHNOLOGY CO., LTD  
 TEL: 0755-27129737 FAX: 0755-29940187

-TOLERANCES- UNLESS OTHERWISE SPECIFIED 公差参数表				TITLE: 4.19mm Pitch 产品名称: 180° Wafer	
X.X	±0.30	X.X°	±3°	APPD: 核准:	XIE
X.XX	±0.30	X.XX°	±2°	CHECK: 校对:	WANG
X.XXX	±0.10	X.XXX°	±1°	DRAW: 绘图:	WANG
PART NO: 产品编号:		DATE		SCALE	UNIT
HDGC4201WVSB-S-XP		2015-03-11		2:1	mm
				CODE NUMBER	A008

修订 REV	标记 MARK	修改摘要 REVISION DESCRIPTION	签名 SIGNATURE	日期 DATE
A0		NEW RELEASE	WANG	2015-03-11



**SPECIFICATIONS:**

Current Rating: 9A AC,DC  
Voltage Rating: 600V AC,DC  
Temperature Range: -25°C ~ +85°C  
Contact Resistance: 10mΩ Max  
After environmental testing: 20mΩ Max  
Insulation Resistance: 1000MΩ Min  
Withstanding Voltage: 1500V AC/minute  
Pin Material: Brass/Tin over Nickel  
Material: LCP, UL94V-0(Black)

**Ordering Information & Dimensions**

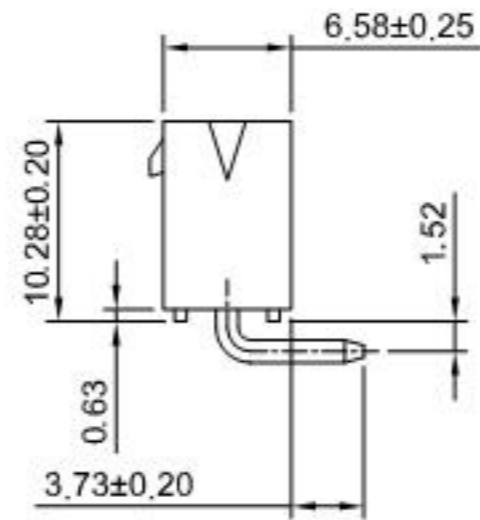
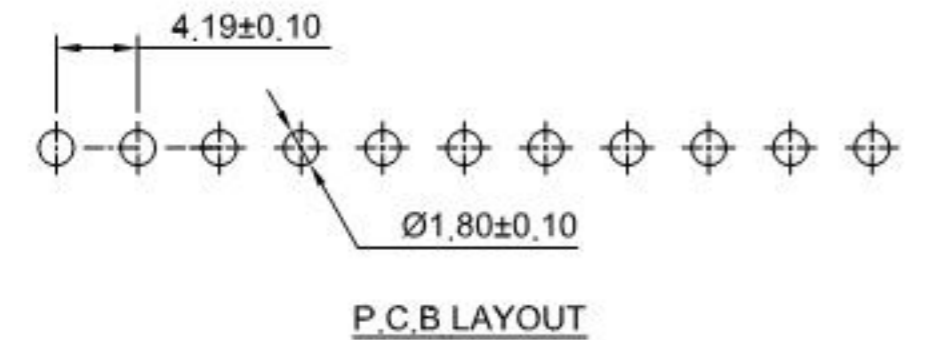
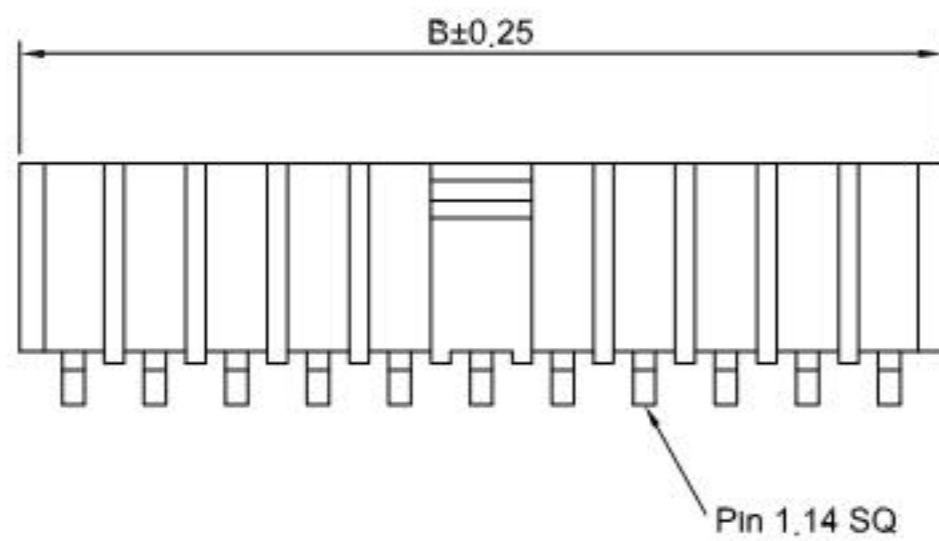
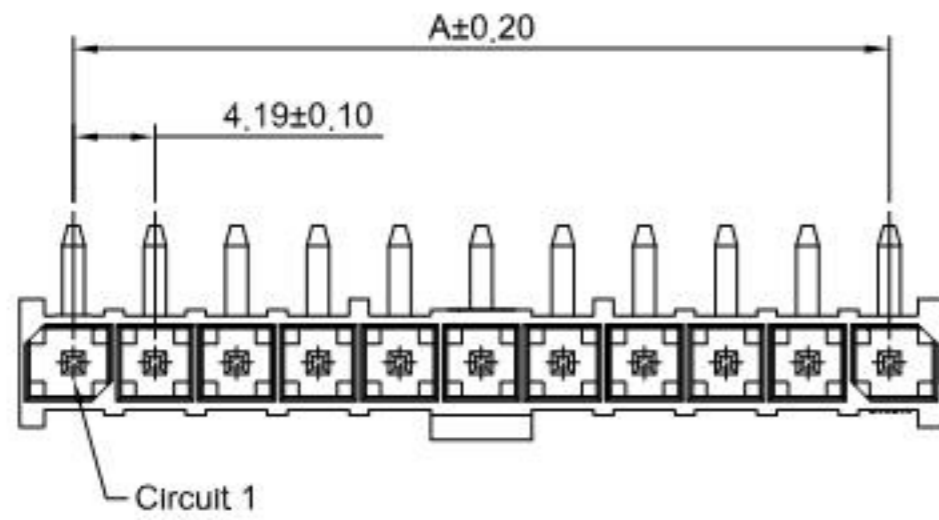
Circuits	Dimensions(mm)		Circuits	Dimensions(mm)	
	A	B		A	B
2P	4,19	9,40	9P	33,52	38,73
3P	8,38	13,59	10P	37,71	42,92
4P	12,57	17,78	11P	41,90	47,11
5P	16,76	21,97	12P	46,09	51,30
6P	20,95	26,16	13P	50,28	55,49
7P	25,14	30,35	14P	54,47	59,68
8P	29,33	34,54	15P	58,66	63,87



**深圳市华德共创科技有限公司**  
SHENZHEN HUADE CO-CREATE TECHNOLOGY CO., LTD  
TEL: 0755-27129737 FAX: 0755-29940187

-TOLERANCES- UNLESS OTHERWISE SPECIFIED 公差参数表						TITLE: 4.19mm Pitch 产品名称: 90° Wafer			
X.X	±0.30	X.X°	±3°	APPD: 核准:	XIE	PART NO: 产品编号: HDGC4201WRS-XP			
X.XX	±0.30	X.XX°	±2°	CHECK: 校对:	WANG	DATE	SCALE	UNIT	CODE NUMBER
X.XXX	±0.10	X.XXX°	±1°	DRAW: 绘图:	WANG	2015-03-11	2:1	mm	A008

修订 REV	标记 MARK	修改摘要 REVISION DESCRIPTION	签名 SIGNATURE	日期 DATE
A0		NEW RELEASE	WANG	2015-03-11



**SPECIFICATIONS:**  
 Current Rating: 9A AC,DC  
 Voltage Rating: 600V AC,DC  
 Temperature Range: -25°C ~ +85°C  
 Contact Resistance: 10mΩ Max  
 After environmental testing: 20mΩ Max  
 Insulation Resistance: 1000MΩ Min  
 Withstanding Voltage: 1500V AC/minute  
 Pin Material: Brass/Tin over Nickel  
 Material: LCP , UL94V-0(Black)

**Ordering Information & Dimensions**

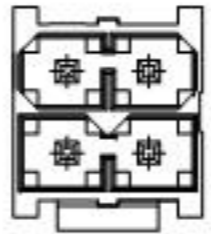
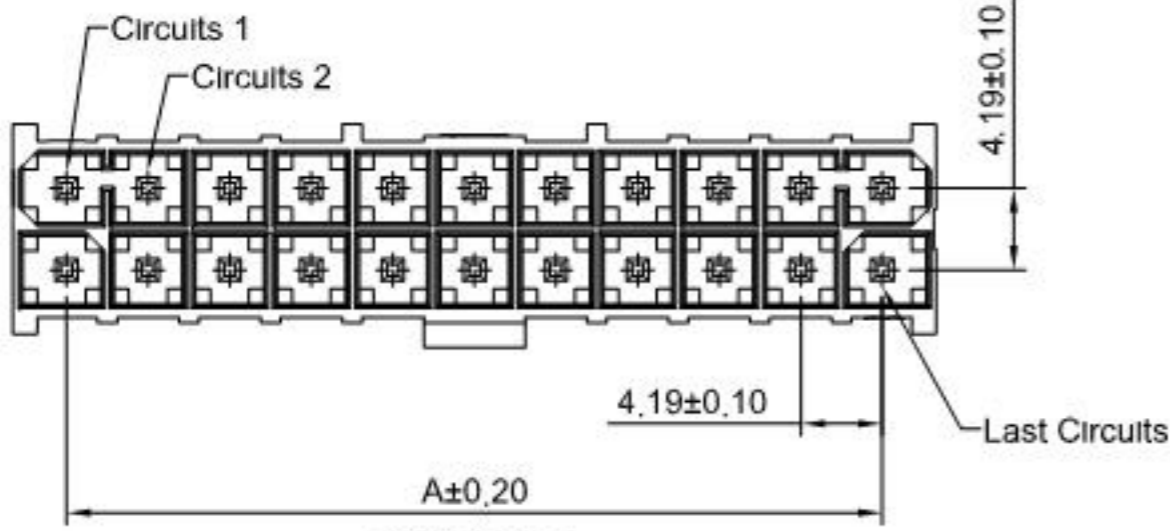
Circuits	Dimensions(mm)		Circuits	Dimensions(mm)	
	A	B		A	B
2P	4.19	9.40	9P	33.52	38.73
3P	8.38	13.59	10P	37.71	42.92
4P	12.57	17.78	11P	41.90	47.11
5P	16.76	21.97	12P	46.09	51.30
6P	20.95	26.16	13P	50.28	55.49
7P	25.14	30.35	14P	54.47	59.68
8P	29.33	34.54	15P	58.66	63.87



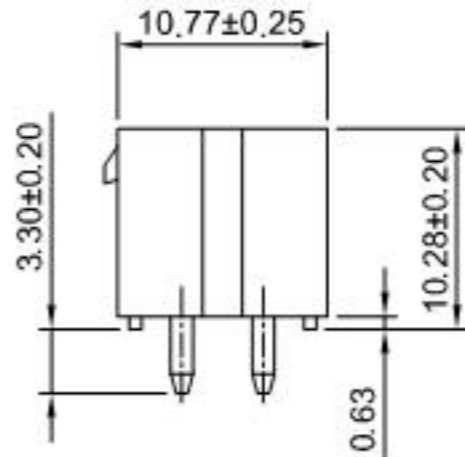
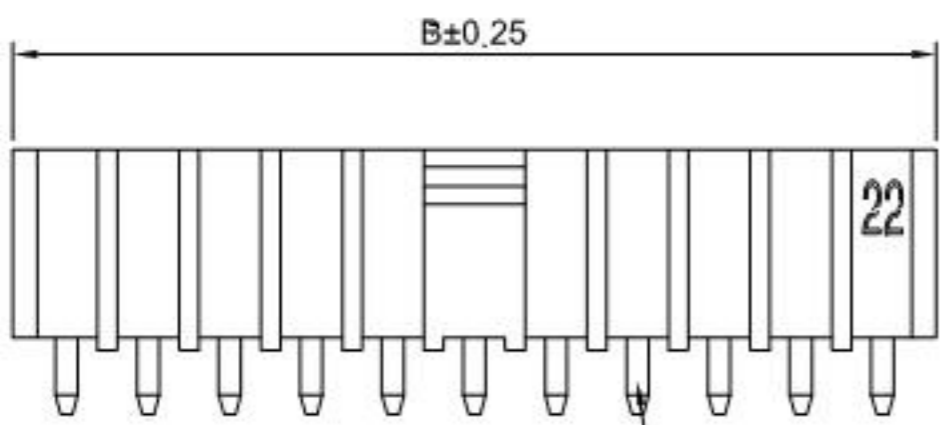
**深圳市华德共创科技有限公司**  
 SHENZHEN HUADE CO-CREATE TECHNOLOGY CO., LTD  
 TEL: 0755-27129737 FAX: 0755-29940187

-TOLERANCES- UNLESS OTHERWISE SPECIFIED 公差参数表						TITLE: 4.19mm Pitch 产品名称: 90° Wafer			
X.X	±0.30	X.X°	±3°	APPD: 核准:	XIE	PART NO: 产品编号: HDGC4201WRSB-XP			
X.XX	±0.30	X.XX°	±2°	CHECK: 校对:	WANG	DATE	SCALE	UNIT	CODE NUMBER
X.XXX	±0.10	X.XXX°	±1°	DRAW: 绘图:	WANG	2015-03-11	2:1	mm	A008

修订 REV	标记 MARK	修改摘要 REVISION DESCRIPTION	签名 SIGNATURE	日期 DATE
A0		NEW RELEASE	WANG	2015-03-11



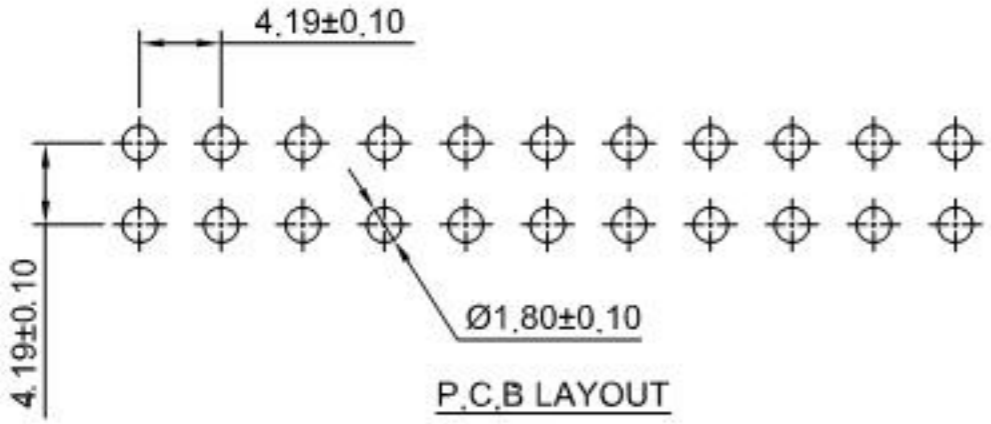
2x2P



**SPECIFICATIONS:**  
 Current Rating: 9A AC,DC  
 Voltage Rating: 600V AC,DC  
 Temperature Range: -25°C ~ +85°C  
 Contact Resistance: 10mΩ Max  
 After environmental testing: 20mΩ Max  
 Insulation Resistance: 1000MΩ Min  
 Withstanding Voltage: 1500V AC/minute  
 Pin Material: Brass/Tin over Nickel  
 Material: LCP , UL94V-0(Black)

Ordering Information & Dimensions

Circuits	Dimensions(mm)		Circuits	Dimensions(mm)	
	A	B		A	B
2x2P	4.19	9.40	2x9P	33.52	38.73
2x3P	8.38	13.59	2x10P	37.71	42.92
2x4P	12.57	17.78	2x11P	41.90	47.11
2x5P	16.76	21.97	2x12P	46.09	51.30
2x6P	20.95	26.16	2x13P	50.28	55.49
2x7P	25.14	30.35	2x14P	54.47	59.68
2x8P	29.33	34.54	2x15P	58.66	63.87

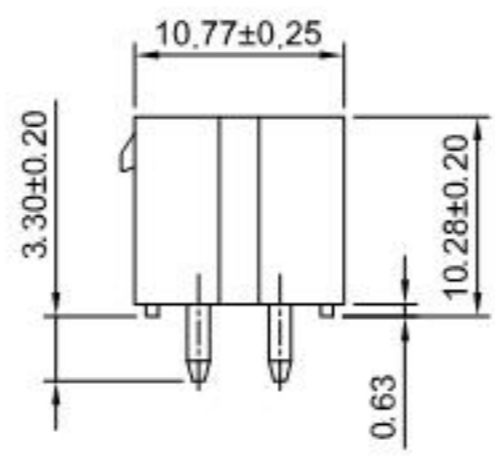
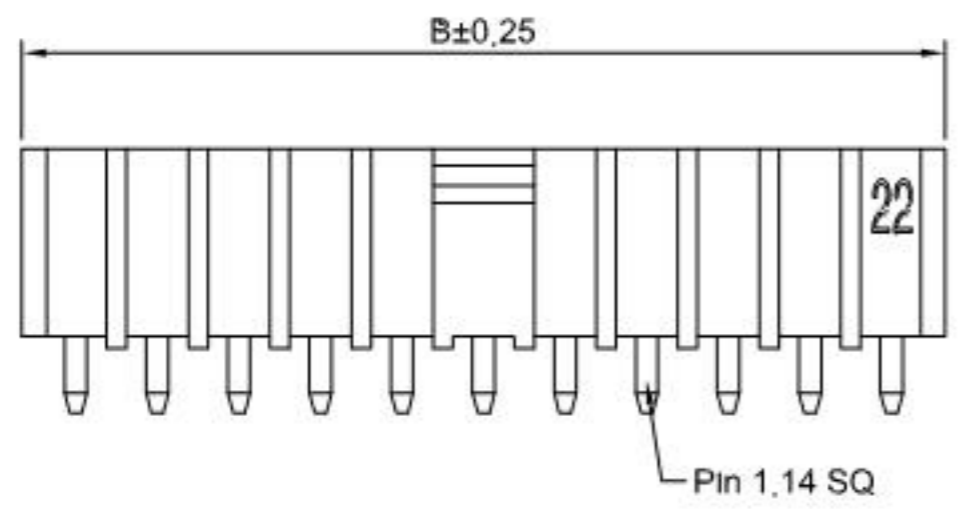
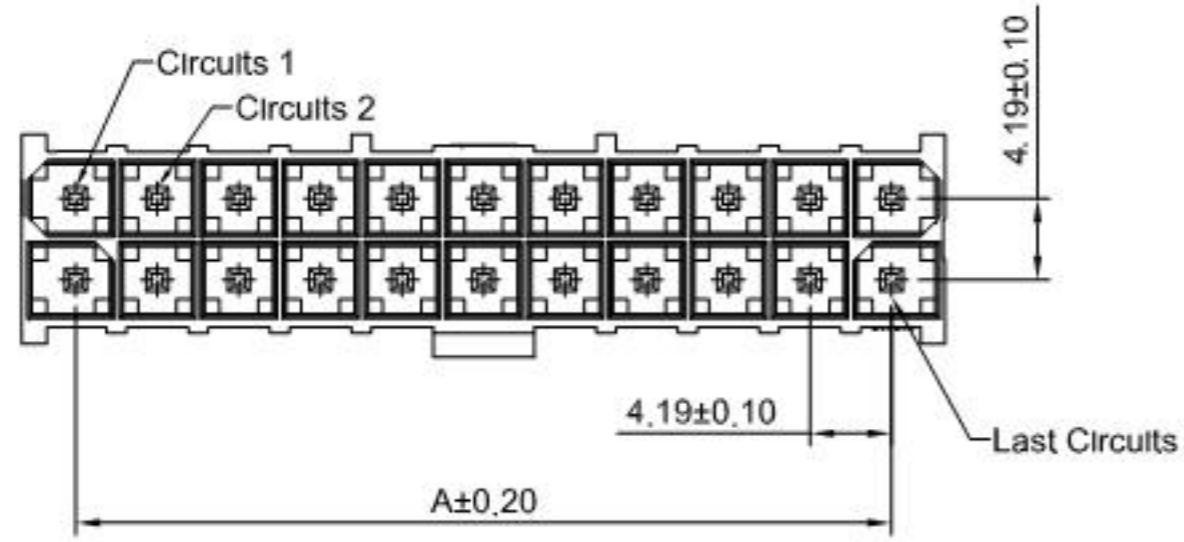


P.C.B LAYOUT

**深圳市华德共创科技有限公司**  
 SHENZHEN HUADE CO-CREATE TECHNOLOGY CO., LTD  
 TEL: 0755-27129737 FAX: 0755-29940187

-TOLERANCES- UNLESS OTHERWISE SPECIFIED 公差参数表				TITLE: 4.19mm Pitch 产品名称: 180° Wafer	
X.X	±0.30	X.X°	±3°	APPD: 核准:	XIE
X.XX	±0.30	X.XX°	±2°	CHECK: 校对:	WANG
X.XXX	±0.10	X.XXX°	±1°	DRAW: 绘图:	WANG
PART NO: 产品编号:		HDGC4201WVS-2xXP		DATE	2015-03-11
SCALE		2:1	UNIT	mm	CODE NUMBER
					A008

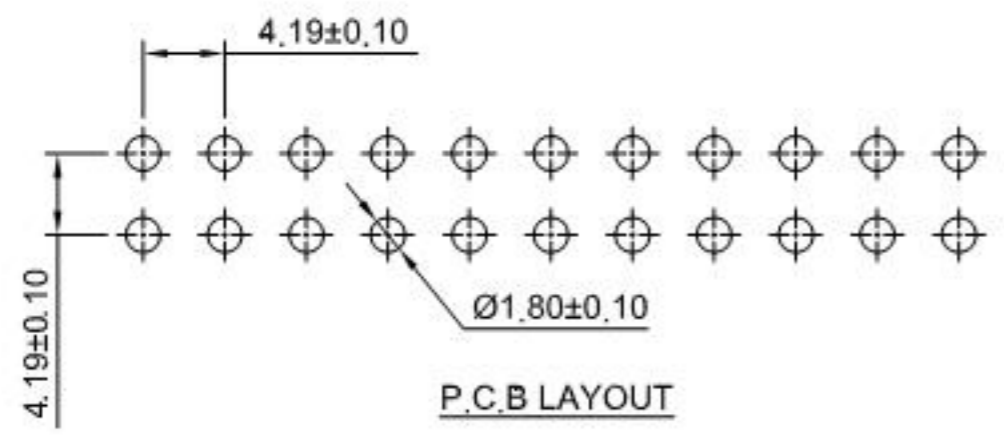
修订 REV	标记 MARK	修改摘要 REVISION DESCRIPTION	签名 SIGNATURE	日期 DATE
A0		NEW RELEASE	WANG	2015-03-11



**SPECIFICATIONS:**  
 Current Rating: 9A AC,DC  
 Voltage Rating: 600V AC,DC  
 Temperature Range: -25°C ~ +85°C  
 Contact Resistance: 10mΩ Max  
 After environmental testing: 20mΩ Max  
 Insulation Resistance: 1000MΩ Min  
 Withstanding Voltage: 1500V AC/minute  
 Pin Material: Brass/Tin over Nickel  
 Material: LCP, UL94V-0(Black)

**Ordering Information & Dimensions**

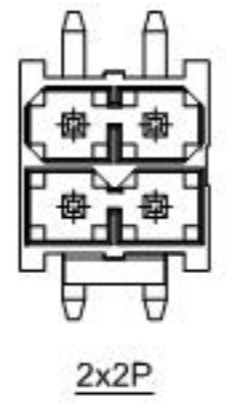
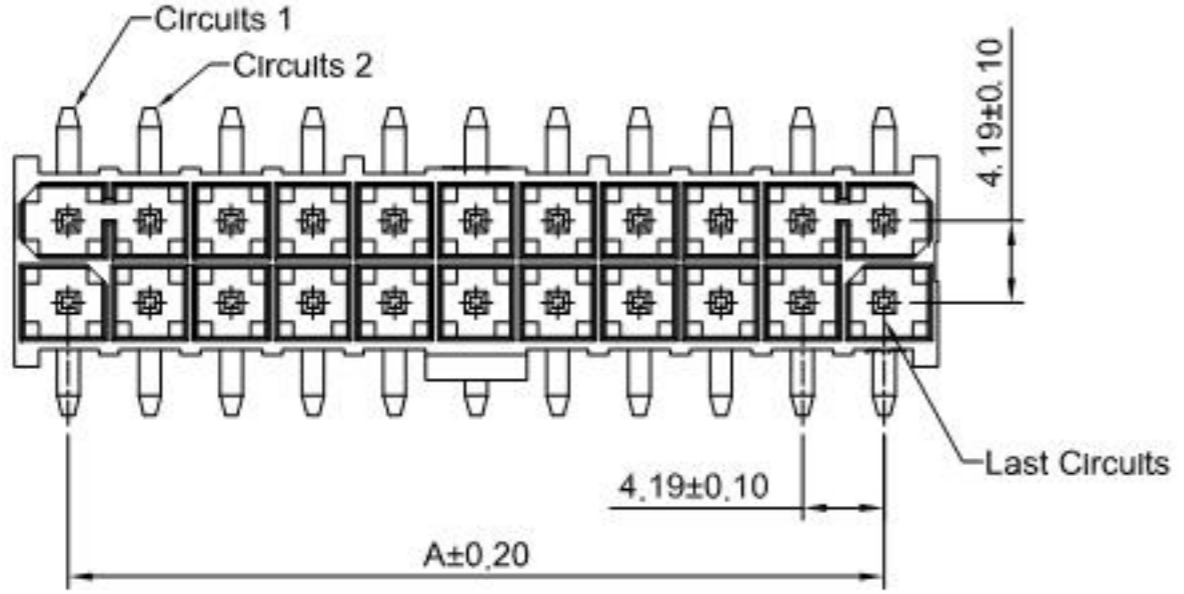
Circuits	Dimensions(mm)		Circuits	Dimensions(mm)	
	A	B		A	B
2x2P	4.19	9.40	2x9P	33.52	38.73
2x3P	8.38	13.59	2x10P	37.71	42.92
2x4P	12.57	17.78	2x11P	41.90	47.11
2x5P	16.76	21.97	2x12P	46.09	51.30
2x6P	20.95	26.16	2x13P	50.28	55.49
2x7P	25.14	30.35	2x14P	54.47	59.68
2x8P	29.33	34.54	2x15P	58.66	63.87



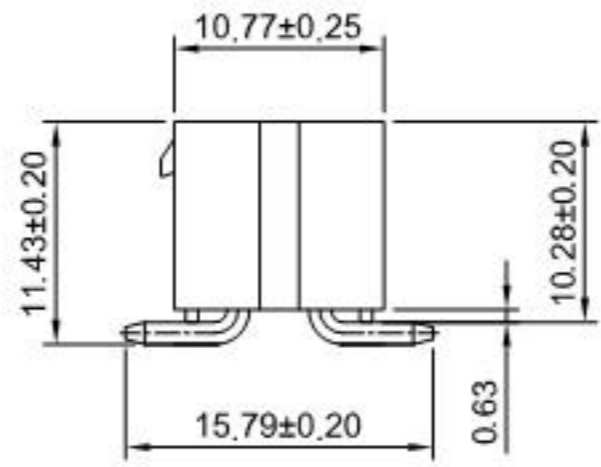
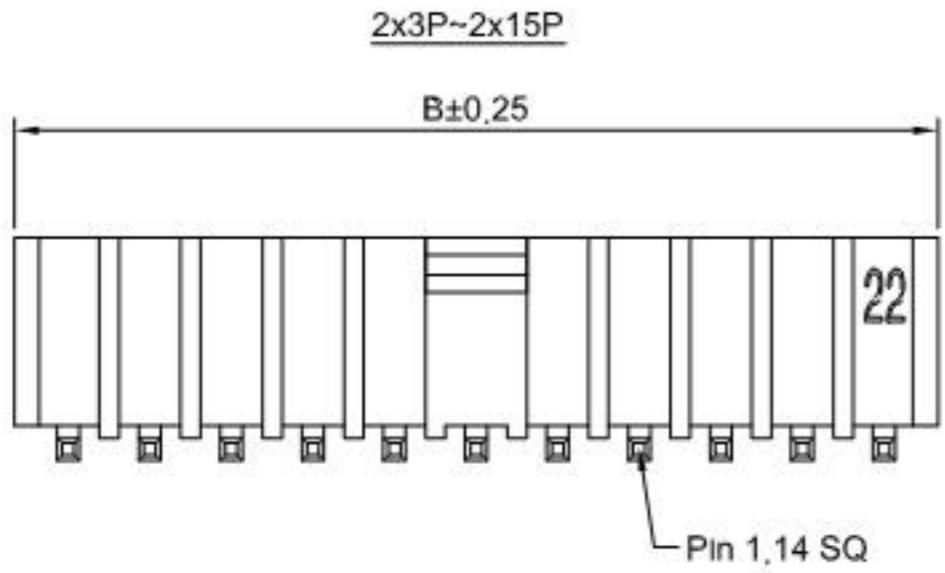
**HDGC** 深圳市华德共创科技有限公司  
 SHENZHEN HUADE CO-CREATE TECHNOLOGY CO., LTD  
 TEL: 0755-27129737 FAX: 0755-29940187

-TOLERANCES- UNLESS OTHERWISE SPECIFIED 公差参数表				TITLE: 4.19mm Pitch 产品名称: 180° Wafer	
X.X	±0.30	X.X°	±3°	APPD: 核准:	XIE
X.XX	±0.30	X.XX°	±2°	CHECK: 校对:	WANG
X.XXX	±0.10	X.XXX°	±1°	DRAW: 绘图:	WANG
PART NO: 产品编号:		DATE		SCALE	UNIT
HDGC4201WVSB-2xXP		2015-03-11		2:1	mm
CODE NUMBER				A008	

修订 REV	标记 MARK	修改摘要 REVISION DESCRIPTION	签名 SIGNATURE	日期 DATE
A0		NEW RELEASE	WANG	2015-03-11

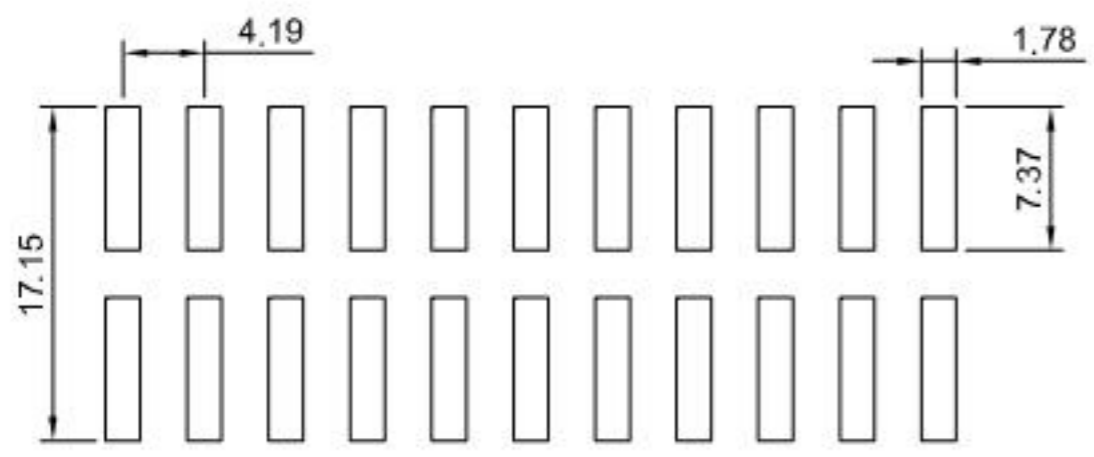


**SPECIFICATIONS:**  
 Current Rating: 9A AC,DC  
 Voltage Rating: 600V AC,DC  
 Temperature Range: -25°C ~ +85°C  
 Contact Resistance: 10mΩ Max  
 After environmental testing: 20mΩ Max  
 Insulation Resistance: 1000MΩ Min  
 Withstanding Voltage: 1500V AC/minute  
 Pin Material: Brass/Tin over Nickel  
 Material: LCP, UL94V-0(Black)



**Ordering Information & Dimensions**

Circuits	Dimensions(mm)		Circuits	Dimensions(mm)	
	A	B		A	B
2x2P	4.19	9.40	2x9P	33.52	38.73
2x3P	8.38	13.59	2x10P	37.71	42.92
2x4P	12.57	17.78	2x11P	41.90	47.11
2x5P	16.76	21.97	2x12P	46.09	51.30
2x6P	20.95	26.16	2x13P	50.28	55.49
2x7P	25.14	30.35	2x14P	54.47	59.68
2x8P	29.33	34.54	2x15P	58.66	63.87

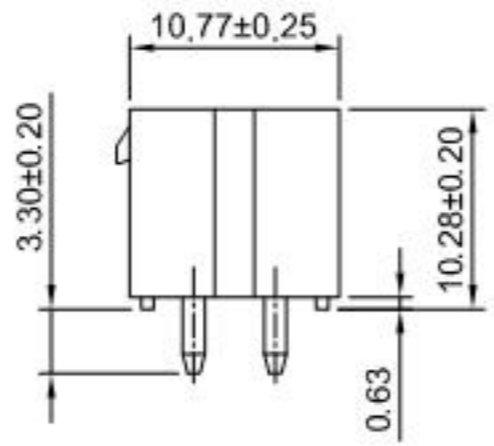
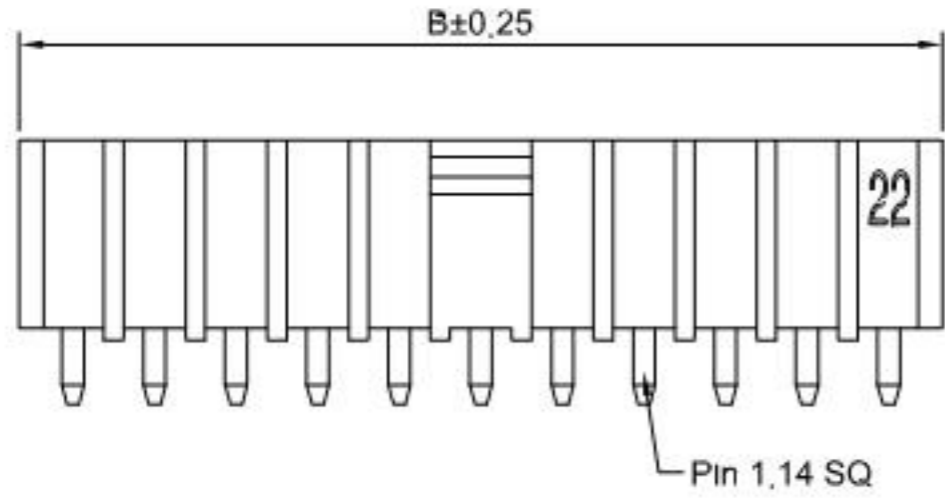
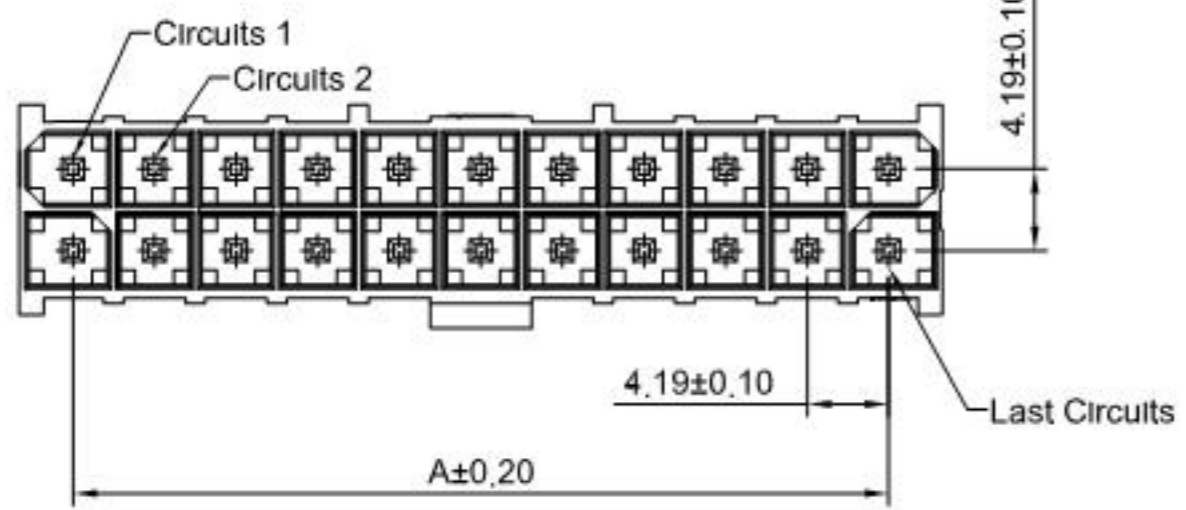


**P.C.B LAYOUT**

**深圳市华德共创科技有限公司**  
 SHENZHEN HUADE CO-CREATE TECHNOLOGY CO., LTD  
 TEL: 0755-27129737 FAX: 0755-29940187

-TOLERANCES- UNLESS OTHERWISE SPECIFIED 公差参数表			TITLE: 4.19mm Pitch 产品名称: 180° Wafer	
X.X	±0.30	X.X°	±3°	APPD: 核准: XIE
X.XX	±0.30	X.XX°	±2°	CHECK: 校对: WANG
X.XXX	±0.10	X.XXX°	±1°	DRAW: 绘图: WANG
		DATE	SCALE	UNIT
		2015-03-11	2:1	mm
		PART NO: HDGC4201WVS-S-2xXP		CODE NUMBER
				A008

修订 REV	标记 MARK	修改摘要 REVISION DESCRIPTION	签名 SIGNATURE	日期 DATE
A0		NEW RELEASE	WANG	2015-03-11

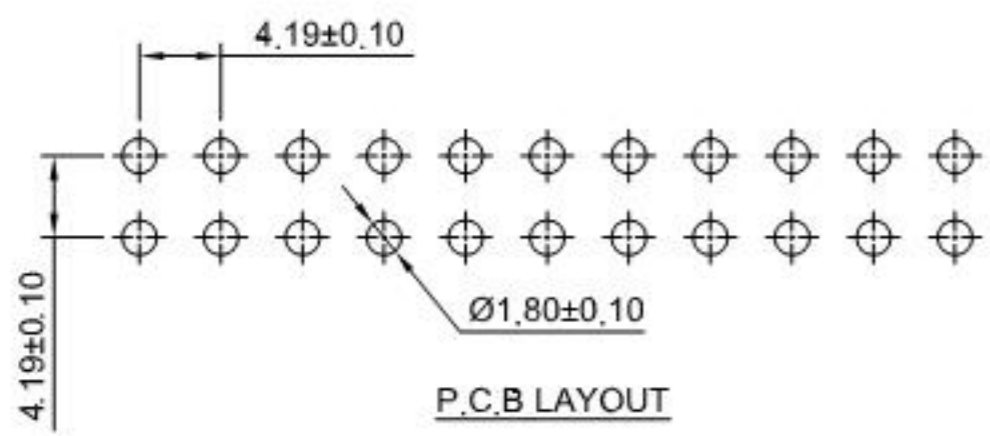


**SPECIFICATIONS:**

Current Rating: 9A AC,DC  
Voltage Rating: 600V AC,DC  
Temperature Range: -25°C ~ +85°C  
Contact Resistance: 10mΩ Max  
After environmental testing: 20mΩ Max  
Insulation Resistance: 1000MΩ Min  
Withstanding Voltage: 1500V AC/minute  
Pin Material: Brass/Tin over Nickel  
Material: LCP , UL94V-0(Black)

**Ordering Information & Dimensions**

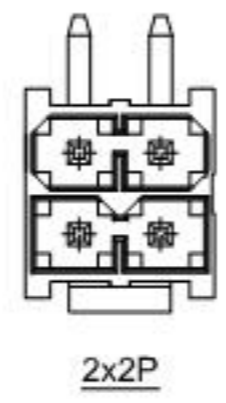
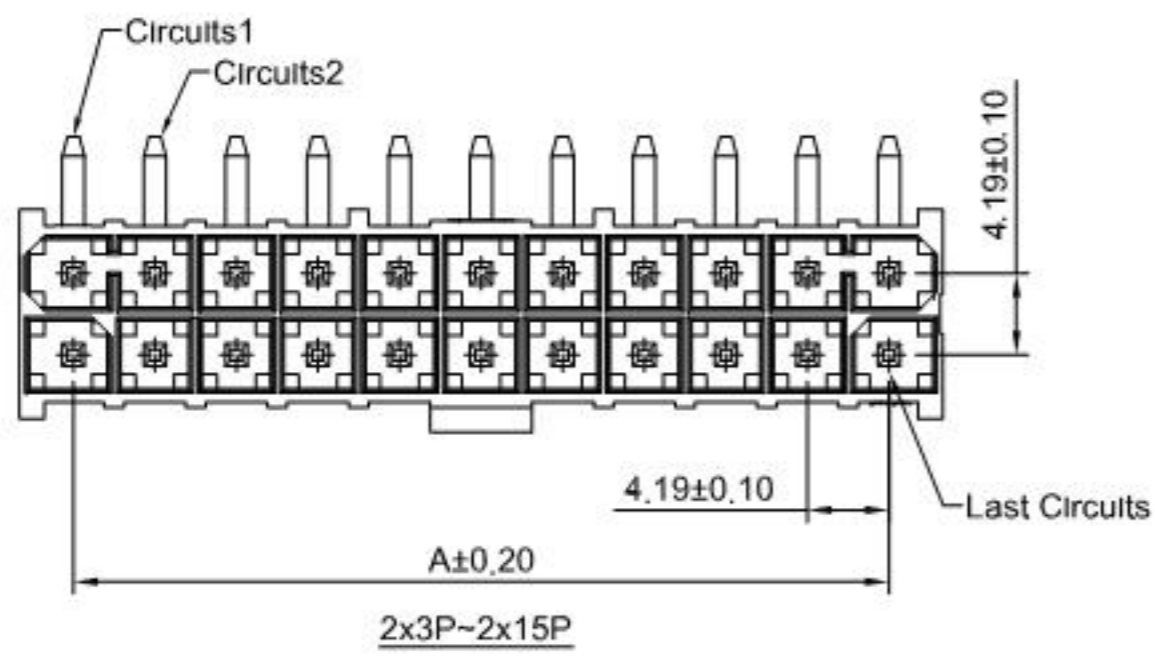
Circuits	Dimensions(mm)		Circuits	Dimensions(mm)	
	A	B		A	B
2x2P	4.19	9.40	2x9P	33.52	38.73
2x3P	8.38	13.59	2x10P	37.71	42.92
2x4P	12.57	17.78	2x11P	41.90	47.11
2x5P	16.76	21.97	2x12P	46.09	51.30
2x6P	20.95	26.16	2x13P	50.28	55.49
2x7P	25.14	30.35	2x14P	54.47	59.68
2x8P	29.33	34.54	2x15P	58.66	63.87



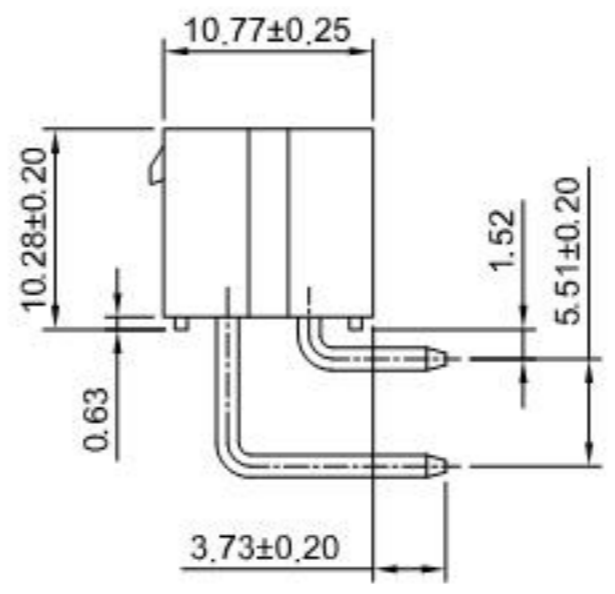
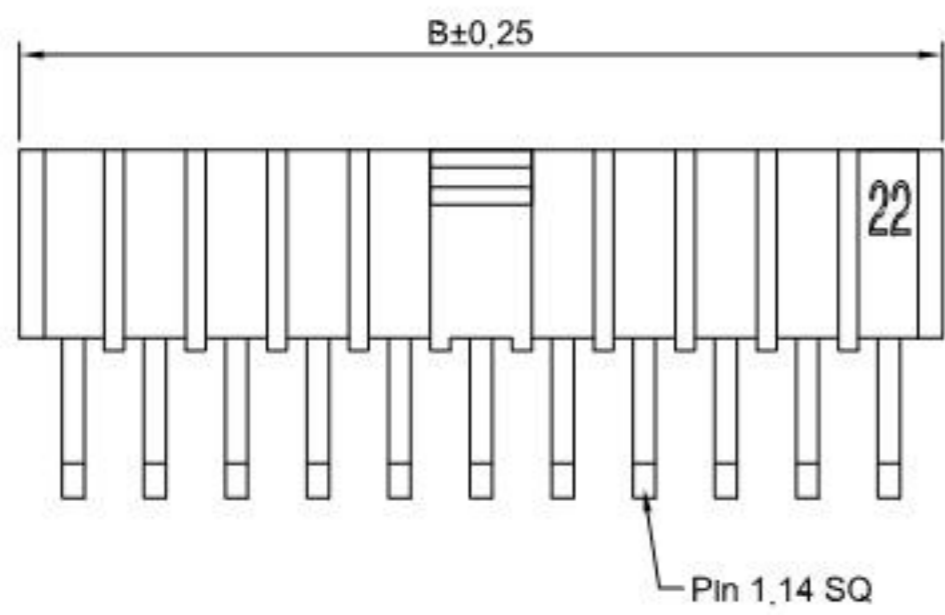
**HDGC** 深圳市华德共创科技有限公司  
SHENZHEN HUADE CO-CREATE TECHNOLOGY CO., LTD  
TEL: 0755-27129737 FAX: 0755-29940187

-TOLERANCES- UNLESS OTHERWISE SPECIFIED 公差参数表						TITLE: 4.19mm Pitch 产品名称: 180° Wafer			
X.X	±0.30	X.X°	±3°	APPD: 核准:	XIE	PART NO: 产品编号: HDGC4201WVSB-2xXP			
X.XX	±0.30	X.XX°	±2°	CHECK: 校对:	WANG	DATE	SCALE	UNIT	CODE NUMBER
X.XXX	±0.10	X.XXX°	±1°	DRAW: 绘图:	WANG	2015-03-11	2:1	mm	A008

修订 REV	标记 MARK	修改摘要 REVISION DESCRIPTION	签名 SIGNATURE	日期 DATE
A0		NEW RELEASE	WANG	2015-03-11

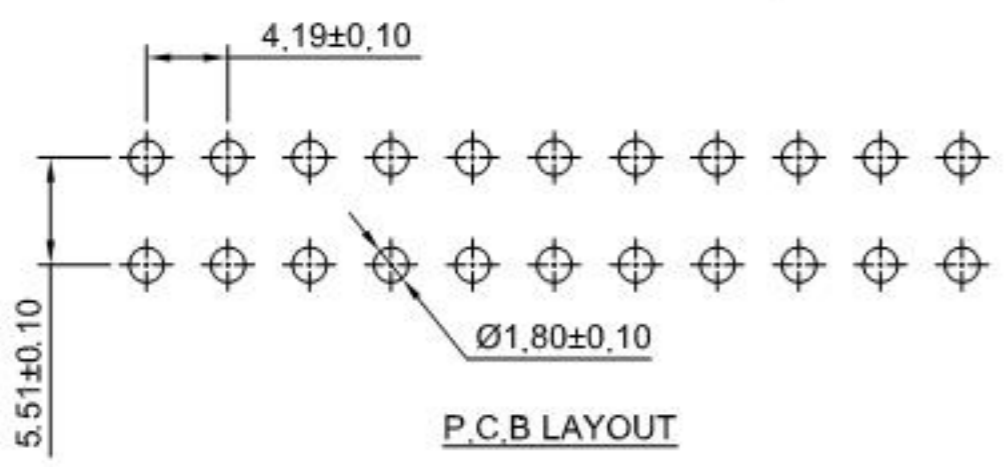


**SPECIFICATIONS:**  
 Current Rating: 9A AC,DC  
 Voltage Rating: 600V AC,DC  
 Temperature Range: -25°C ~ +85°C  
 Contact Resistance: 10mΩ Max  
 After environmental testing: 20mΩ Max  
 Insulation Resistance: 1000MΩ Min  
 Withstanding Voltage: 1500V AC/minute  
 Pin Material: Brass/Tin over Nickel  
 Material: LCP , UL94V-0(Black)



Ordering Information & Dimensions

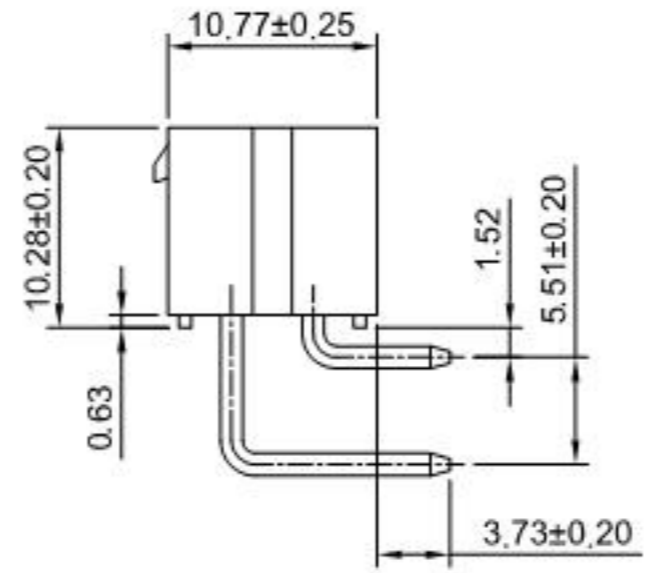
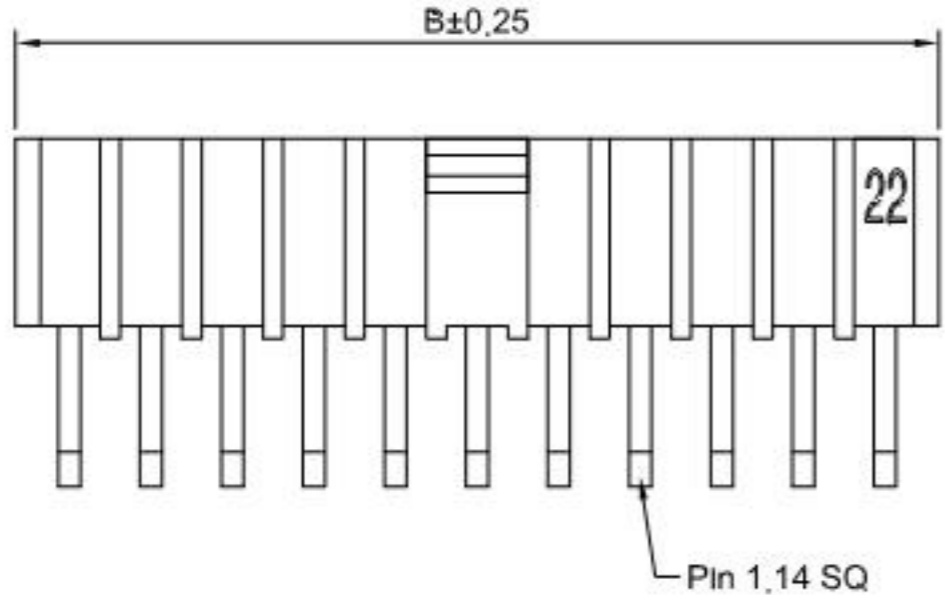
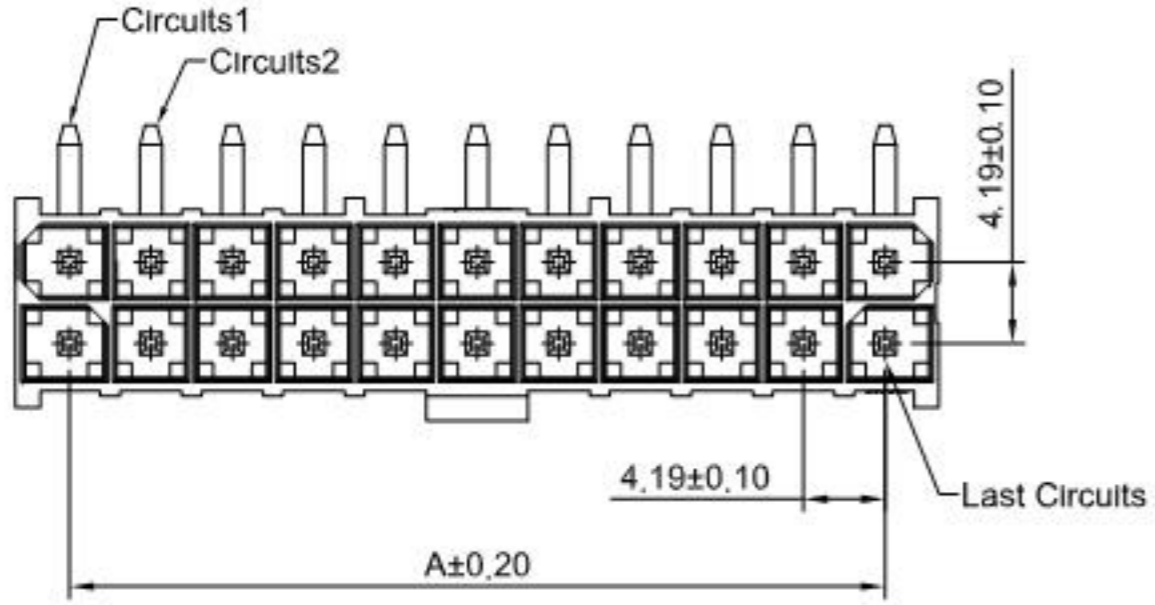
Circuits	Dimensions(mm)		Circuits	Dimensions(mm)	
	A	B		A	B
2x2P	4.19	9.40	2x9P	33.52	38.73
2x3P	8.38	13.59	2x10P	37.71	42.92
2x4P	12.57	17.78	2x11P	41.90	47.11
2x5P	16.76	21.97	2x12P	46.09	51.30
2x6P	20.95	26.16	2x13P	50.28	55.49
2x7P	25.14	30.35	2x14P	54.47	59.68
2x8P	29.33	34.54	2x15P	58.66	63.87



**深圳市华德共创科技有限公司**  
 SHENZHEN HUADE CO-CREATE TECHNOLOGY CO., LTD  
 TEL: 0755-27129737 FAX: 0755-29940187

-TOLERANCES- UNLESS OTHERWISE SPECIFIED 公差参数表			TITLE: 4.19mm Pitch 产品名称: 90° Wafer						
X.X	±0.30	X.X°	±3°	APPD: 核准:	XIE	PART NO: 产品编号:	HDGC4201WRS-2xXP		
X.XX	±0.30	X.XX°	±2°	CHECK: 校对:	WANG	DATE	SCALE	UNIT	CODE NUMBER
X.XXX	±0.10	X.XXX°	±1°	DRAW: 绘图:	WANG	2015-03-11	2:1	mm	A008

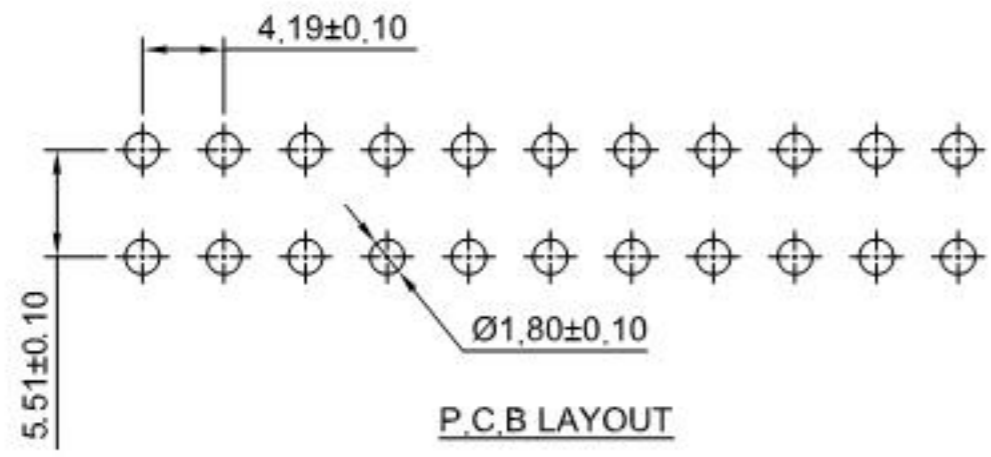
修订 REV	标记 MARK	修改摘要 REVISION DESCRIPTION	签名 SIGNATURE	日期 DATE
A0		NEW RELEASE	WANG	2015-03-11



**SPECIFICATIONS:**  
 Current Rating: 9A AC,DC  
 Voltage Rating: 600V AC,DC  
 Temperature Range: -25°C ~ +85°C  
 Contact Resistance: 10mΩ Max  
 After environmental testing: 20mΩ Max  
 Insulation Resistance: 1000MΩ Min  
 Withstanding Voltage: 1500V AC/minute  
 Pin Material: Brass/Tin over Nickel  
 Material: LCP, UL94V-0(Black)

**Ordering Information & Dimensions**

Circuits	Dimensions(mm)		Circuits	Dimensions(mm)	
	A	B		A	B
2x2P	4.19	9.40	2x9P	33.52	38.73
2x3P	8.38	13.59	2x10P	37.71	42.92
2x4P	12.57	17.78	2x11P	41.90	47.11
2x5P	16.76	21.97	2x12P	46.09	51.30
2x6P	20.95	26.16	2x13P	50.28	55.49
2x7P	25.14	30.35	2x14P	54.47	59.68
2x8P	29.33	34.54	2x15P	58.66	63.87



**深圳市华德共创科技有限公司**  
 SHENZHEN HUADE CO-CREATE TECHNOLOGY CO., LTD  
 TEL: 0755-27129737 FAX: 0755-29940187

-TOLERANCES- UNLESS OTHERWISE SPECIFIED 公差参数表				TITLE: 4.19mm Pitch 产品名称: 90° Wafer							
X.X	±0.30	X.X°	±3°	APPD: 核准:	XIE			PART NO: 产品编号: HDGC4201WRSB-2xXP			
X.XX	±0.30	X.XX°	±2°	CHECK: 校对:	WANG			DATE	SCALE	UNIT	CODE NUMBER
X.XXX	±0.10	X.XXX°	±1°	DRAW: 绘图:	WANG			2015-03-11	2:1	mm	A008