

修订 REV	标记 MARK	修改摘要 REVISION DESCRIPTION	签名 SIGNATURE	日期 DATE
AO		NEW RELEASE	WANG	2013-12-10

Ordering Information:

HDGC3969H-XP - ** - **
1 2 3

1:Part No.

2:Material:

OR-Orange=18 AWG(UL94V-2)

YL-Yellow=20 AWG(UL94V-2)

RD-Red=22AWG(UL94V-2)

WH-White=24 AWG (UL94V-2)

BL-Blue=26 AWG(UL94V-2)

BK-18-Black=18AWG(UL94V-0)

BK-20-Black=20AWG(UL94V-0)

BK-22-Black=22AWG(UL94V-0)

BK-24-Black=24AWG(UL94V-0)

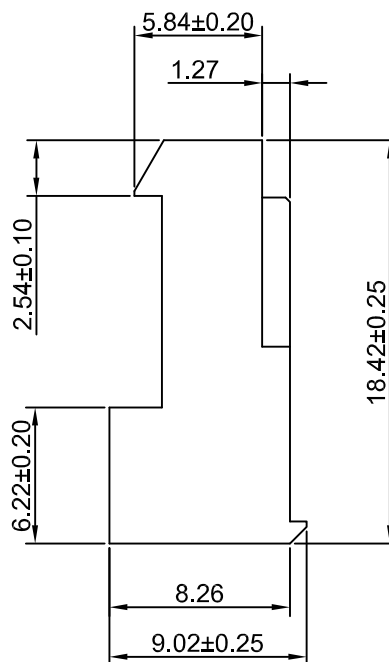
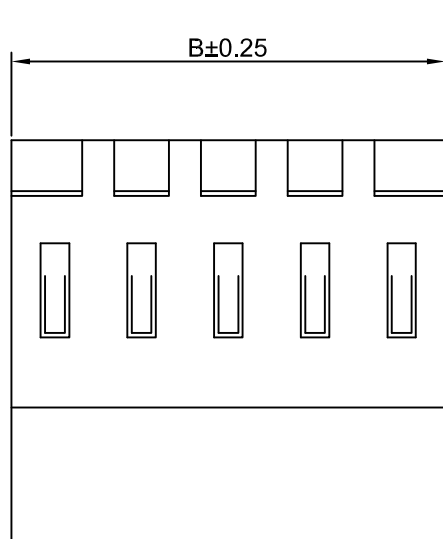
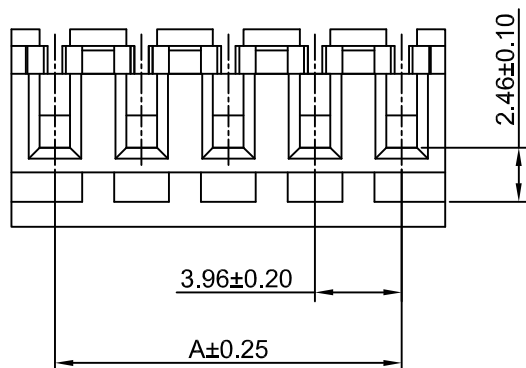
BK-26-Black=26AWG(UL94V-0)

3:Plating Code:

(Blank)-Phosphor bronze/Tin over Nickel

GP-Phosphor bronze/Gold over Nickel

(Optional Gold plating available
but MOQ requested)



SPECIFICATIONS:

Current Rating: 7A AC,DC

Voltage Rating: 250V AC,DC

Temperature Range: -25°C ~ +85°C

Contact Resistance: 10mΩ Max.

Insulation Resistance: 1000MΩ Min.

Withstanding Voltage: 1500V AC/minute

Terminal Material: Phosphor bronze/Tin over Nickel

Housing Material: Nylon66, UL 94V-2 or UL 94V-0

Ordering Information & Dimensions

Circuits	Dimensions(mm)		Circuits	Dimensions(mm)	
	A	B		A	B
2P	3.96	7.92	14P	51.48	55.44
3P	7.92	11.88	15P	55.44	59.40
4P	11.88	15.84	16P	59.40	63.36
5P	15.84	19.80	17P	63.36	67.32
6P	19.80	23.76	18P	67.32	71.28
7P	23.76	27.72	19P	71.28	75.24
8P	27.72	31.68	20P	75.24	79.20
9P	31.68	35.64	21P	79.20	83.16
10P	35.64	39.60	22P	83.16	87.12
11P	39.60	43.56	23P	87.12	91.08
12P	43.56	47.52	24P	91.08	95.04
13P	47.52	51.48			



深圳市华德共创科技有限公司

SHENZHEN HUADE CO-CREATE TECHNOLOGY CO.,LTD

TEL : 0755-27129737 FAX : 0755-29940187

-TOLERANCES- UNLESS OTHERWISE SPECIFIED 公差参数表				TITLE: 3.96mm IDC 产品名称: Closed End Type	
X.X	±0.30	X.X°	±3°	APPD: 核准:	XIE
X.XX	±0.30	X.XX°	±2°	CHECK: 校对:	WANG
X.XXX	±0.10	X.XXX°	±1°	DRAW: 绘图:	WANG
PART NO: 产品编号:			HDGC3969H-XP		
DATE	SCALE	UNIT	CODE NUMBER		
2013-12-10	3:1	mm	A008		

修订 REV	标记 MARK	修改摘要 REVISION DESCRIPTION	签名 SIGNATURE	日期 DATE
AO		NEW RELEASE	WANG	2013-12-10

Ordering Information:

HDGC3969HA-XP - ** - **
1 2 3

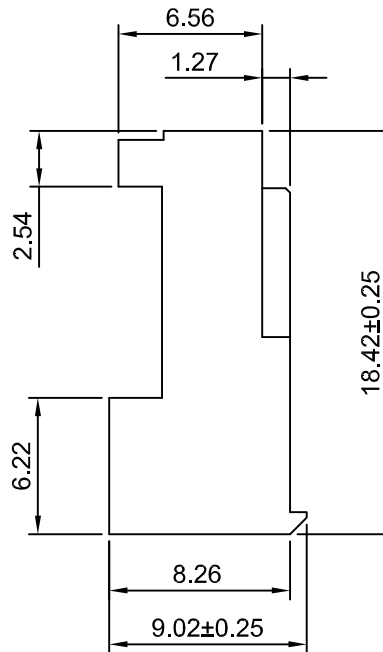
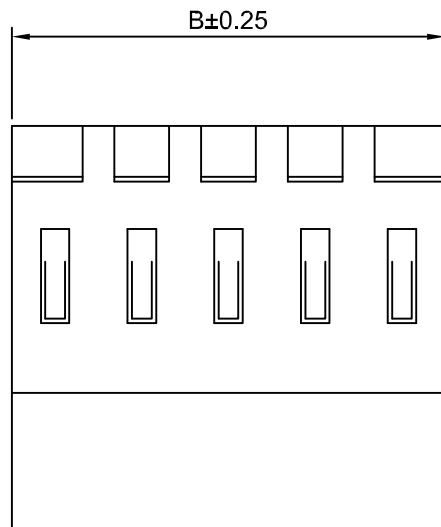
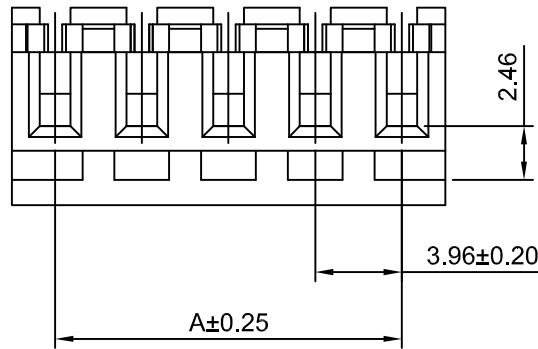
1:Part No.

2:Material:

- OR-Orange=18 AWG(UL94V-2)
- YL-Yellow=20 AWG(UL94V-2)
- RD-Red=22AWG(UL94V-2)
- WH-White=24 AWG (UL94V-2)
- BL-Blue=26 AWG(UL94V-2)
- BK-18-Black=18AWG(UL94V-0)
- BK-20-Black=20AWG(UL94V-0)
- BK-22-Black=22AWG(UL94V-0)
- BK-24-Black=24AWG(UL94V-0)
- BK-26-Black=26AWG(UL94V-0)

3:Plating Code:

- (Blank)-Phosphor bronze/Tin over Nickel,Ni:30~50u"(0.76~1.27um)
- GP-Phosphor bronze/Gold over Nickel,
Au:1u"(0.0254um) MIN,Ni:30~50u"(0.76~1.27um)
(Optional Gold plating available but MOQ requested)
- G15-Phosphor bronze/Gold over Nickel,
Au:15u"(0.38um) MIN,Ni:30~50u"(0.76~1.27um)
(Optional Gold plating available but MOQ requested)
- G30-Phosphor bronze/Gold over Nickel,
Au:30u"(0.76um) MIN,Ni:30~50u"(0.76~1.27um)
(Optional Gold plating available but MOQ requested)



SPECIFICATIONS:

- Current Rating: 7A AC,DC
- Voltage Rating: 600V AC,DC
- Temperature Range: -25°C ~ +85°C
- Contact Resistance: 10mΩ Max.
- Insulation Resistance: 1000MΩ Min.
- Withstanding Voltage: 1500V AC/minute
- Housing Material: Nylon66, UL 94V-2 or UL 94V-0
- Terminal Material: Phosphor bronze/Tin over Nickel

Ordering Information & Dimensions

Circuits	Dimensions(mm)		Circuits	Dimensions(mm)	
	A	B		A	B
2P	3.96	7.92	14P	51.48	55.44
3P	7.92	11.88	15P	55.44	59.40
4P	11.88	15.84	16P	59.40	63.36
5P	15.84	19.80	17P	63.36	67.32
6P	19.80	23.76	18P	67.32	71.28
7P	23.76	27.72	19P	71.28	75.24
8P	27.72	31.68	20P	75.24	79.20
9P	31.68	35.64	21P	79.20	83.16
10P	35.64	39.60	22P	83.16	87.12
11P	39.60	43.56	23P	87.12	91.08
12P	43.56	47.52	24P	91.08	95.04
13P	47.52	51.48			



深圳市华德共创科技有限公司

SHENZHEN HUADE CO-CREATE TECHNOLOGY CO.,LTD

TEL : 0755-27129737 FAX : 0755-29940187

-TOLERANCES- UNLESS OTHERWISE SPECIFIED 公差参数表				TITLE: 3.96mm IDC 产品名称: Closed End Type	
X.X	±0.30	X.X°	±3°	APPD: 核准:	XIE
X.XX	±0.30	X.XX°	±2°	CHECK: 校对:	WANG
X.XXX	±0.10	X.XXX°	±1°	DRAW: 绘图:	WANG
PART NO: 产品编号:		HDGC3969HA-XP			
DATE	SCALE	UNIT	CODE NUMBER		
2013-12-10	3:1	mm	A008		

修订 REV	标记 MARK	修改摘要 REVISION DESCRIPTION	签名 SIGNATURE	日期 DATE
AO		NEW RELEASE	WANG	2013-12-10

Ordering Information:

HDGC3969HB-XP - $\frac{**}{2}$ - $\frac{**}{3}$

1:Part No.

2:Material:

- OR-Orange=18 AWG(UL94V-2)
- YL-Yellow=20 AWG(UL94V-2)
- RD-Red=22AWG(UL94V-2)
- WH-White=24 AWG (UL94V-2)
- BL-Blue=26 AWG(UL94V-2)
- BK-18-Black=18AWG(UL94V-0)
- BK-20-Black=20AWG(UL94V-0)
- BK-22-Black=22AWG(UL94V-0)
- BK-24-Black=24AWG(UL94V-0)
- BK-26-Black=26AWG(UL94V-0)

3:Plating Code:

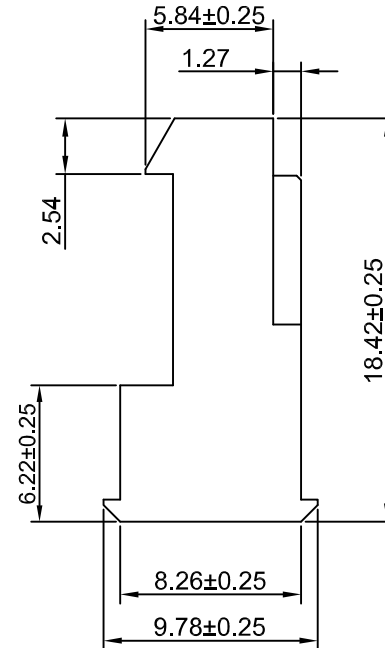
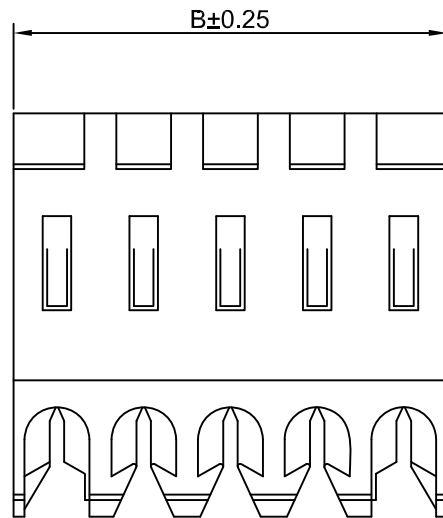
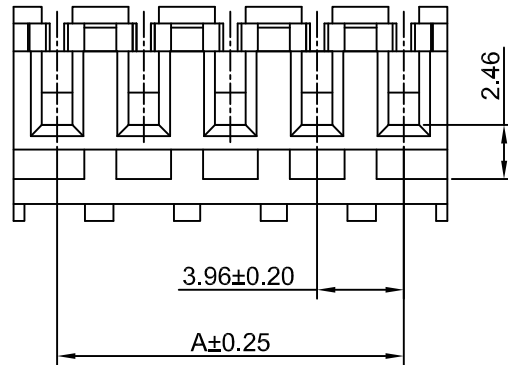
- (Blank)-Phosphor bronze/Tin over Nickel
 - GP-Phosphor bronze/Gold over Nickel
- (Optional Gold plating available but MOQ requested)

SPECIFICATIONS:

- Current Rating: 7A AC,DC
- Voltage Rating: 250V AC,DC
- Temperature Range: -25°C ~ +85°C
- Contact Resistance: 10mΩ Max.
- Insulation Resistance: 1000MΩ Min.
- Withstanding Voltage: 1500V AC/minute
- Housing Material: Nylon66, UL 94V-2 or UL 94V-0
- Terminal Material: Phosphor bronze/Tin over Nickel

Ordering Information & Dimensions

Circuits	Dimensions(mm)		Circuits	Dimensions(mm)	
	A	B		A	B
2P	3.96	7.92	14P	51.48	55.44
3P	7.92	11.88	15P	55.44	59.40
4P	11.88	15.84	16P	59.40	63.36
5P	15.84	19.80	17P	63.36	67.32
6P	19.80	23.76	18P	67.32	71.28
7P	23.76	27.72	19P	71.28	75.24
8P	27.72	31.68	20P	75.24	79.20
9P	31.68	35.64	21P	79.20	83.16
10P	35.64	39.60	22P	83.16	87.12
11P	39.60	43.56	23P	87.12	91.08
12P	43.56	47.52	24P	91.08	95.04
13P	47.52	51.48			



深圳市华德共创科技有限公司

SHENZHEN HUADE CO-CREATE TECHNOLOGY CO.,LTD

TEL : 0755-27129737 FAX : 0755-29940187

-TOLERANCES- UNLESS OTHERWISE SPECIFIED 公差参数表						TITLE: 3.96mm IDC 产品名称: Feed-Thru Connector			
X.X	±0.30	X.X°	±3°	APPD: 核准:	XIE	PART NO: 产品编号: HDGC3969HB-XP			
X.XX	±0.30	X.XX°	±2°	CHECK: 校对:	WANG	DATE	SCALE	UNIT	CODE NUMBER
X.XXX	±0.10	X.XXX°	±1°	DRAW: 绘图:	WANG	2013-12-10	3:1	mm	A008

修订 REV	标记 MARK	修改摘要 REVISION DESCRIPTION	签名 SIGNATURE	日期 DATE
AO		NEW RELEASE	WANG	2013-12-10

Ordering Information:

HDGC3969HC-XP - ** - **
1 2 3

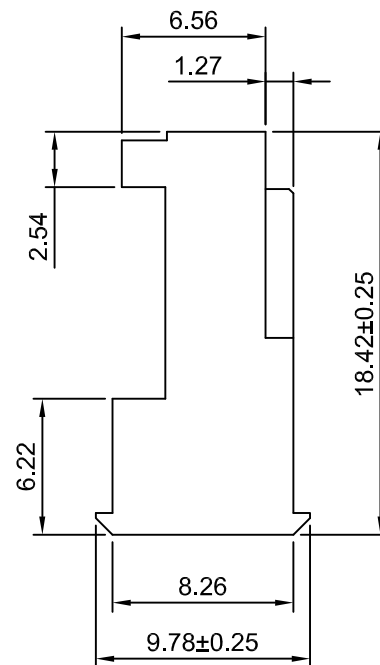
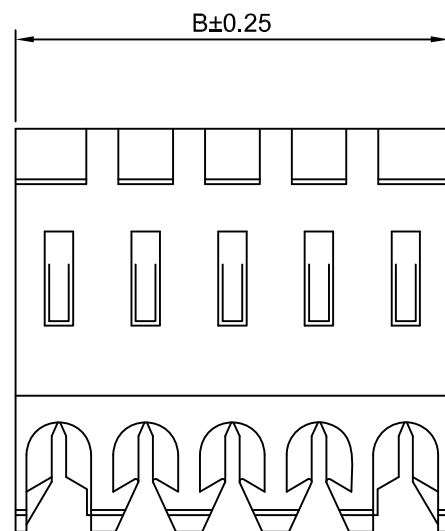
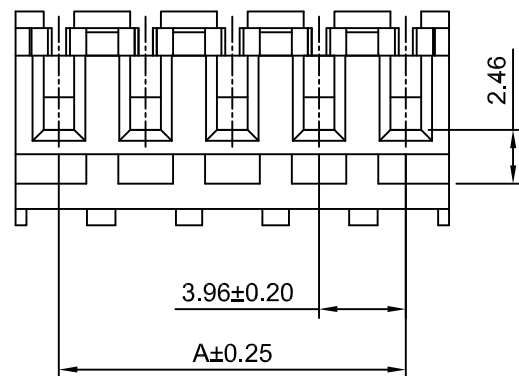
1:Part No.

2:Material:

OR-Orange=18 AWG(UL94V-2)
 YL-Yellow=20 AWG(UL94V-2)
 RD-Red=22AWG(UL94V-2)
 WH-White=24 AWG (UL94V-2)
 BL-Blue=26 AWG(UL94V-2)
 BK-18-Black=18AWG(UL94V-0)
 BK-20-Black=20AWG(UL94V-0)
 BK-22-Black=22AWG(UL94V-0)
 BK-24-Black=24AWG(UL94V-0)
 BK-26-Black=26AWG(UL94V-0)

3:Plating Code:

(Blank)-Phosphor bronze/Tin over Nickel
 GP-Phosphor bronze/Gold over Nickel
 (Optional Gold plating available
 but MOQ requested)



SPECIFICATIONS:

Current Rating: 7A AC,DC
 Voltage Rating: 250V AC,DC
 Temperature Range: -25°C ~ +85°C
 Contact Resistance: 10mΩ Max.
 Insulation Resistance: 1000MΩ Min.
 Withstanding Voltage: 1500V AC/minute
 Housing Material: Nylon66, UL 94V-2 or UL 94V-0
 Terminal Material: Phosphor bronze/Tin over Nickel

Ordering Information & Dimensions

Circuits	Dimensions(mm)		Circuits	Dimensions(mm)	
	A	B		A	B
2P	3.96	7.92	14P	51.48	55.44
3P	7.92	11.88	15P	55.44	59.40
4P	11.88	15.84	16P	59.40	63.36
5P	15.84	19.80	17P	63.36	67.32
6P	19.80	23.76	18P	67.32	71.28
7P	23.76	27.72	19P	71.28	75.24
8P	27.72	31.68	20P	75.24	79.20
9P	31.68	35.64	21P	79.20	83.16
10P	35.64	39.60	22P	83.16	87.12
11P	39.60	43.56	23P	87.12	91.08
12P	43.56	47.52	24P	91.08	95.04
13P	47.52	51.48			



深圳市华德共创科技有限公司

SHENZHEN HUADE CO-CREATE TECHNOLOGY CO.,LTD

TEL : 0755-27129737 FAX : 0755-29940187

-TOLERANCES- UNLESS OTHERWISE SPECIFIED 公差参数表				TITLE: 3.96mm IDC 产品名称: Feed-Thru Connector	
X.X	±0.30	X.X°	±3°	APPD: 核准:	XIE
X.XX	±0.30	X.XX°	±2°	CHECK: 校对:	WANG
X.XXX	±0.10	X.XXX°	±1°	DRAW: 绘图:	WANG
PART NO: 产品编号:		HDGC3969HC-XP			
DATE	SCALE	UNIT	CODE NUMBER		
2013-12-10	3:1	mm	A008		

修订 REV	标记 MARK	修改摘要 REVISION DESCRIPTION	签名 SIGNATURE	日期 DATE
AO		NEW RELEASE	WANG	2013-12-10

Ordering Information:

HDGC3969HD-XP - ** - **
1 2 3

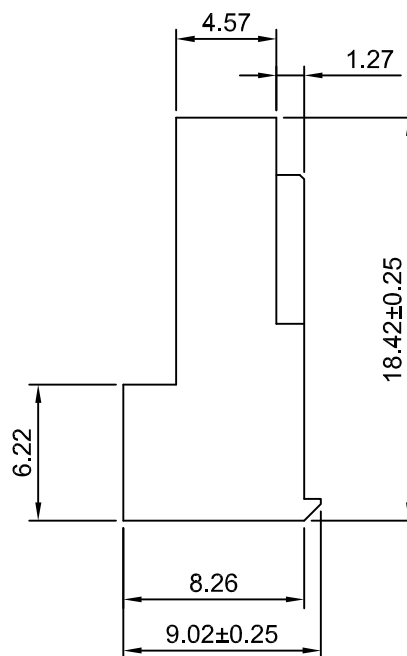
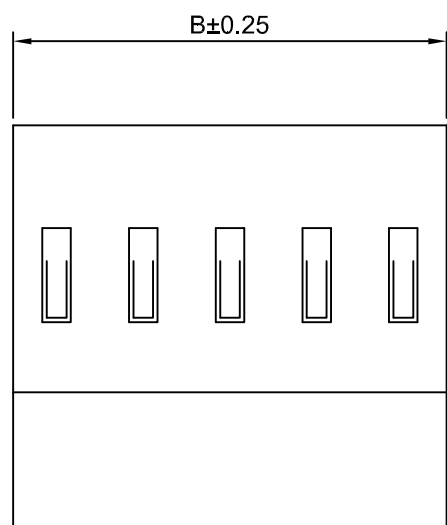
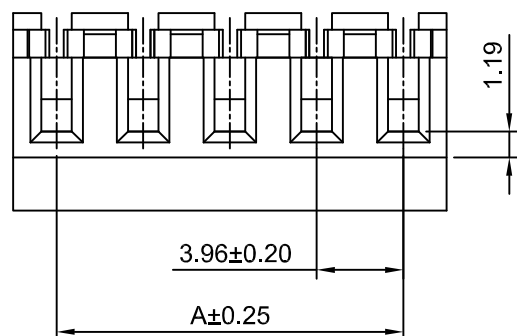
1:Part No.

2:Material:

- OR-Orange=18 AWG(UL94V-2)
- YL-Yellow=20 AWG(UL94V-2)
- RD-Red=22AWG(UL94V-2)
- WH-White=24 AWG (UL94V-2)
- BL-Blue=26 AWG(UL94V-2)
- BK-18-Black=18AWG(UL94V-0)
- BK-20-Black=20AWG(UL94V-0)
- BK-22-Black=22AWG(UL94V-0)
- BK-24-Black=24AWG(UL94V-0)
- BK-26-Black=26AWG(UL94V-0)

3:Plating Code:

- (Blank)-Phosphor bronze/Tin over Nickel,Ni:30~50u"(0.76~1.27um)
- GP-Phosphor bronze/Gold over Nickel,
Au:1u"(0.0254um) MIN,Ni:30~50u"(0.76~1.27um)
(Optional Gold plating available but MOQ requested)
- G15-Phosphor bronze/Gold over Nickel,
Au:15u"(0.38um) MIN,Ni:30~50u"(0.76~1.27um)
(Optional Gold plating available but MOQ requested)
- G30-Phosphor bronze/Gold over Nickel,
Au:30u"(0.76um) MIN,Ni:30~50u"(0.76~1.27um)
(Optional Gold plating available but MOQ requested)



SPECIFICATIONS:

Current Rating: 600V AC,DC
 Temperature Range: -25°C ~ +85°C
 Contact Resistance: 10mΩ Max.
 Insulation Resistance: 1000MΩ Min.
 Withstanding Voltage: 1500V AC/minute
 Housing Material: Nylon66, UL 94V-2 or UL 94V-0
 Terminal Material: Phosphor bronze/Tin over Nickel

Ordering Information & Dimensions

Circuits	Dimensions(mm)		Circuits	Dimensions(mm)	
	A	B		A	B
2P	3.96	7.92	14P	51.48	55.44
3P	7.92	11.88	15P	55.44	59.40
4P	11.88	15.84	16P	59.40	63.36
5P	15.84	19.80	17P	63.36	67.32
6P	19.80	23.76	18P	67.32	71.28
7P	23.76	27.72	19P	71.28	75.24
8P	27.72	31.68	20P	75.24	79.20
9P	31.68	35.64	21P	79.20	83.16
10P	35.64	39.60	22P	83.16	87.12
11P	39.60	43.56	23P	87.12	91.08
12P	43.56	47.52	24P	91.08	95.04
13P	47.52	51.48			



深圳市华德共创科技有限公司

SHENZHEN HUADE CO-CREATE TECHNOLOGY CO.,LTD

TEL : 0755-27129737 FAX : 0755-29940187

-TOLERANCES- UNLESS OTHERWISE SPECIFIED 公差参数表				TITLE: 3.96mm IDC 产品名称: Closed End Type	
X.X	±0.30	X.X°	±3°	APPD: 核准:	XIE
X.XX	±0.30	X.XX°	±2°	CHECK: 校对:	WANG
X.XXX	±0.10	X.XXX°	±1°	DRAW: 绘图:	WANG
PART NO: 产品编号:			HDGC3969HD-XP		
DATE	SCALE	UNIT	CODE NUMBER		
2013-12-10	3:1	mm	A008		

修订 REV	标记 MARK	修改摘要 REVISION DESCRIPTION	签名 SIGNATURE	日期 DATE
AO		NEW RELEASE	WANG	2013-12-10

Ordering Information:

HDGC3969HE-XP - ** - **
1 2 3

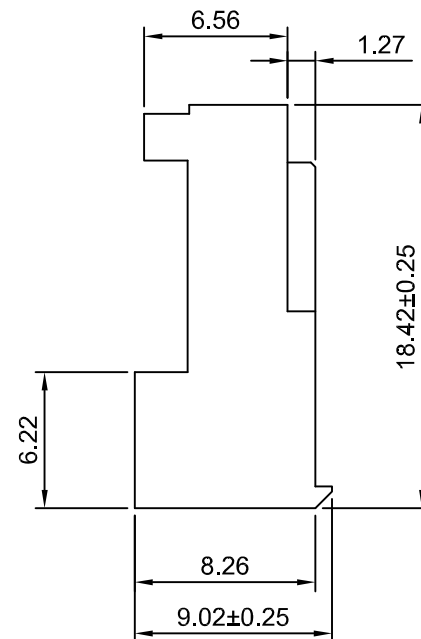
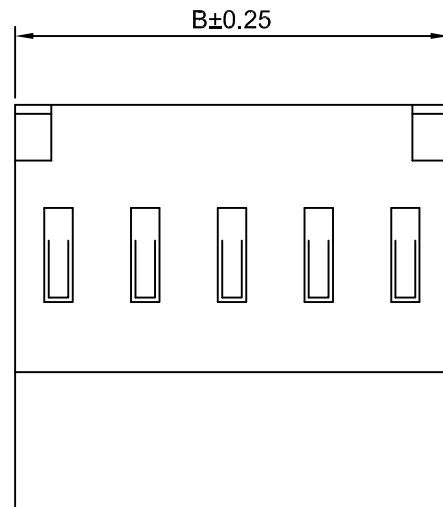
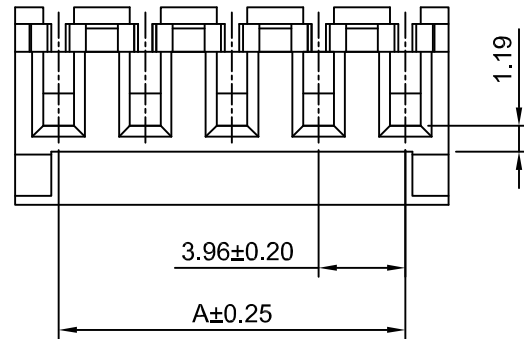
1:Part No.

2:Material:

- OR-Orange=18 AWG(UL94V-2)
- YL-Yellow=20 AWG(UL94V-2)
- RD-Red=22AWG(UL94V-2)
- WH-White=24 AWG (UL94V-2)
- BL-Blue=26 AWG(UL94V-2)
- BK-18-Black=18AWG(UL94V-0)
- BK-20-Black=20AWG(UL94V-0)
- BK-22-Black=22AWG(UL94V-0)
- BK-24-Black=24AWG(UL94V-0)
- BK-26-Black=26AWG(UL94V-0)

3:Plating Code:

- (Blank)-Phosphor bronze/Tin over Nickel, Ni:30~50u"(0.76~1.27um)
- GP-Phosphor bronze/Gold over Nickel,
Au:1u"(0.0254um) MIN, Ni:30~50u"(0.76~1.27um)
(Optional Gold plating available but MOQ requested)
- G15-Phosphor bronze/Gold over Nickel,
Au:15u"(0.38um) MIN, Ni:30~50u"(0.76~1.27um)
(Optional Gold plating available but MOQ requested)
- G30-Phosphor bronze/Gold over Nickel,
Au:30u"(0.76um) MIN, Ni:30~50u"(0.76~1.27um)
(Optional Gold plating available but MOQ requested)



SPECIFICATIONS:

- Current Rating: 7A AC,DC
- Voltage Rating: 600V AC,DC
- Temperature Range: -25°C ~ +85°C
- Contact Resistance: 10mΩ Max.
- Insulation Resistance: 1000MΩ Min.
- Withstanding Voltage: 1500V AC/minute
- Housing Material: Nylon66, UL 94V-2 or UL 94V-0
- Terminal Material: Phosphor bronze/Tin over Nickel

Ordering Information & Dimensions

Circuits	Dimensions(mm)		Circuits	Dimensions(mm)	
	A	B		A	B
2P	3.96	7.92	14P	51.48	55.44
3P	7.92	11.88	15P	55.44	59.40
4P	11.88	15.84	16P	59.40	63.36
5P	15.84	19.80	17P	63.36	67.32
6P	19.80	23.76	18P	67.32	71.28
7P	23.76	27.72	19P	71.28	75.24
8P	27.72	31.68	20P	75.24	79.20
9P	31.68	35.64	21P	79.20	83.16
10P	35.64	39.60	22P	83.16	87.12
11P	39.60	43.56	23P	87.12	91.08
12P	43.56	47.52	24P	91.08	95.04
13P	47.52	51.48			



深圳市华德共创科技有限公司

SHENZHEN HUADE CO-CREATE TECHNOLOGY CO.,LTD

TEL : 0755-27129737 FAX : 0755-29940187

-TOLERANCES- UNLESS OTHERWISE SPECIFIED 公差参数表						TITLE: 3.96mm IDC 产品名称: Closed End Type			
X.X	±0.30	X.X°	±3°	APPD: 核准:	XIE	PART NO: 产品编号: HDGC3969HE-XP			
X.XX	±0.30	X.XX°	±2°	CHECK: 校对:	WANG	DATE	SCALE	UNIT	CODE NUMBER
X.XXX	±0.10	X.XXX°	±1°	DRAW: 绘图:	WANG	2013-12-10	3:1	mm	A008

修订 REV	标记 MARK	修改摘要 REVISION DESCRIPTION	签名 SIGNATURE	日期 DATE
AO		NEW RELEASE	WANG	2013-12-10

Ordering Information:

HDGC3969HF-XP - ** - **
1 2 3

1:Part No.

2:Material:

OR-Orange=18 AWG(UL94V-2)

YL-Yellow=20 AWG(UL94V-2)

RD-Red=22AWG(UL94V-2)

WH-White=24 AWG (UL94V-2)

BL-Blue=26 AWG(UL94V-2)

BK-18-Black=18AWG(UL94V-0)

BK-20-Black=20AWG(UL94V-0)

BK-22-Black=22AWG(UL94V-0)

BK-24-Black=24AWG(UL94V-0)

BK-26-Black=26AWG(UL94V-0)

3:Plating Code:

(Blank)-Phosphor bronze/Tin over Nickel,Ni:30~50u"(0.76~1.27um)

GP-Phosphor bronze/Gold over Nickel,

Au:1u"(0.0254um) MIN,Ni:30~50u"(0.76~1.27um)

(Optional Gold plating available but MOQ requested)

G15-Phosphor bronze/Gold over Nickel,

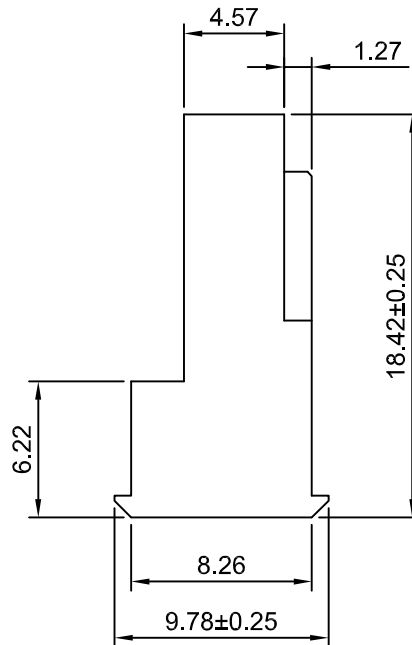
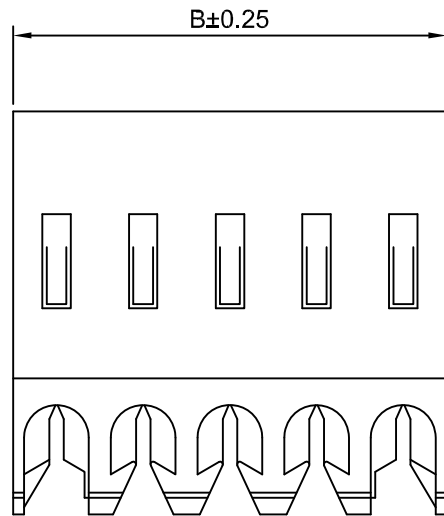
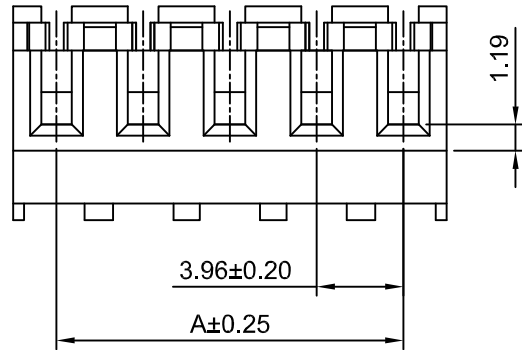
Au:15u"(0.38um) MIN,Ni:30~50u"(0.76~1.27um)

(Optional Gold plating available but MOQ requested)

G30-Phosphor bronze/Gold over Nickel,

Au:30u"(0.76um) MIN,Ni:30~50u"(0.76~1.27um)

(Optional Gold plating available but MOQ requested)



SPECIFICATIONS:

Current Rating: 7A AC,DC

Voltage Rating: 600V AC,DC

Temperature Range: -25°C ~ +85°C

Contact Resistance: 10mΩ Max.

Insulation Resistance: 1000MΩ Min.

Withstanding Voltage: 1500V AC/minute

Housing Material: Nylon66, UL 94V-2 or UL 94V-0

Terminal Material: Phosphor bronze/Tin over Nickel

Ordering Information & Dimensions

Circuits	Dimensions(mm)		Circuits	Dimensions(mm)	
	A	B		A	B
2P	3.96	7.92	14P	51.48	55.44
3P	7.92	11.88	15P	55.44	59.40
4P	11.88	15.84	16P	59.40	63.36
5P	15.84	19.80	17P	63.36	67.32
6P	19.80	23.76	18P	67.32	71.28
7P	23.76	27.72	19P	71.28	75.24
8P	27.72	31.68	20P	75.24	79.20
9P	31.68	35.64	21P	79.20	83.16
10P	35.64	39.60	22P	83.16	87.12
11P	39.60	43.56	23P	87.12	91.08
12P	43.56	47.52	24P	91.08	95.04
13P	47.52	51.48			



深圳市华德共创科技有限公司

SHENZHEN HUADE CO-CREATE TECHNOLOGY CO.,LTD

TEL : 0755-27129737 FAX : 0755-29940187

-TOLERANCES- UNLESS OTHERWISE SPECIFIED 公差参数表				TITLE: 3.96mm IDC 产品名称: Feed-Thru Connector	
X.X	±0.30	X.X°	±3°	APPD: 核准:	XIE
X.XX	±0.30	X.XX°	±2°	CHECK: 校对:	WANG
X.XXX	±0.10	X.XXX°	±1°	DRAW: 绘图:	WANG
PART NO: 产品编号:			HDGC3969HF-XP		
DATE		SCALE	UNIT	CODE NUMBER	
2013-12-10		3:1	mm	A008	

修订 REV	标记 MARK	修改摘要 REVISION DESCRIPTION	签名 SIGNATURE	日期 DATE
AO		NEW RELEASE	WANG	2013-12-10

Ordering Information:

HDGC3969HG-XP - ** - **
1 2 3

1:Part No.

2:Material:

OR-Orange=18 AWG(UL94V-2)

YL-Yellow=20 AWG(UL94V-2)

RD-Red=22AWG(UL94V-2)

WH-White=24 AWG (UL94V-2)

BL-Blue=26 AWG(UL94V-2)

BK-18-Black=18AWG(UL94V-0)

BK-20-Black=20AWG(UL94V-0)

BK-22-Black=22AWG(UL94V-0)

BK-24-Black=24AWG(UL94V-0)

BK-26-Black=26AWG(UL94V-0)

3:Plating Code:

(Blank)-Phosphor bronze/Tin over Nickel

GP-Phosphor bronze/Gold over Nickel

(Optional Gold plating available
but MOQ requested)

SPECIFICATIONS:

Current Rating: 7A AC,DC

Voltage Rating: 250V AC,DC

Temperature Range: -25°C ~ +85°C

Contact Resistance: 10mΩ Max.

Insulation Resistance: 1000MΩ Min.

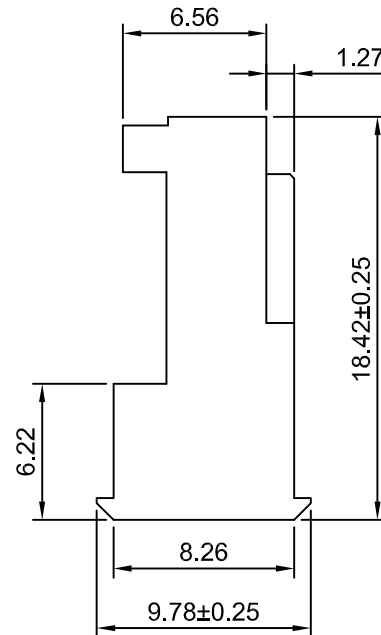
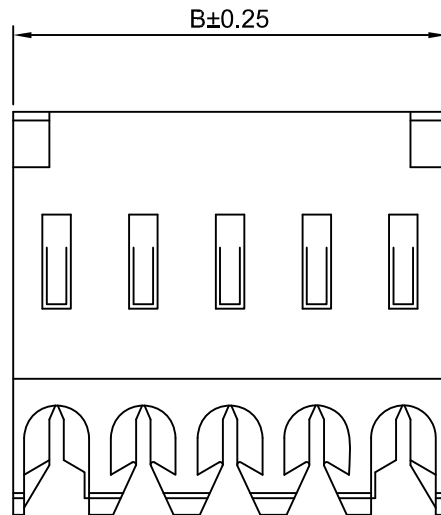
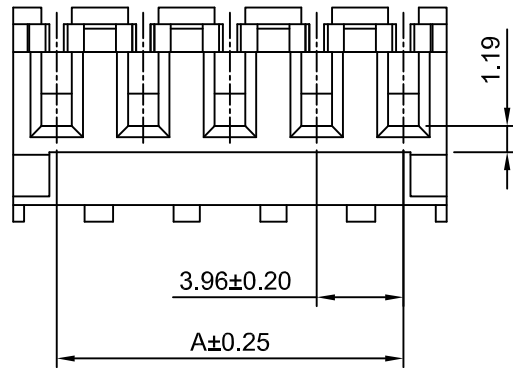
Withstanding Voltage: 1500V AC/minute

Housing Material: Nylon66, UL 94V-2 or UL 94V-0

Terminal Material: Phosphor bronze/Tin over Nickel

Ordering Information & Dimensions

Circuits	Dimensions(mm)		Circuits	Dimensions(mm)	
	A	B		A	B
2P	3.96	7.92	14P	51.48	55.44
3P	7.92	11.88	15P	55.44	59.40
4P	11.88	15.84	16P	59.40	63.36
5P	15.84	19.80	17P	63.36	67.32
6P	19.80	23.76	18P	67.32	71.28
7P	23.76	27.72	19P	71.28	75.24
8P	27.72	31.68	20P	75.24	79.20
9P	31.68	35.64	21P	79.20	83.16
10P	35.64	39.60	22P	83.16	87.12
11P	39.60	43.56	23P	87.12	91.08
12P	43.56	47.52	24P	91.08	95.04
13P	47.52	51.48			



深圳市华德共创科技有限公司

SHENZHEN HUADE CO-CREATE TECHNOLOGY CO.,LTD

TEL : 0755-27129737 FAX : 0755-29940187

-TOLERANCES- UNLESS OTHERWISE SPECIFIED 公差参数表			TITLE: 3.96mm IDC 产品名称: Feed-Thru Connector	
X.X ±0.30	X.X° ±3°	APPD: 核准: XIE	PART NO: 产品编号: HDGC3969HG-XP	
X.XX ±0.30	X.XX° ±2°	CHECK: 校对: WANG	DATE	SCALE
X.XXX ±0.10	X.XXX° ±1°	DRAW: 绘图: WANG	2013-12-10	3:1
			UNIT	CODE NUMBER
			mm	A008

修订 REV	标记 MARK	修改摘要 REVISION DESCRIPTION	签名 SIGNATURE	日期 DATE
AO		NEW RELEASE	WANG	2013-12-10

Ordering Information:

HDGC3969HH-XP - ** - **
1 2 3

1:Part No.

2:Wire Range and Material:

2-22 AWG(UL94V-2)

4-24 AWG(UL94V-2)

6-26 AWG(UL94V-2)

8-28 AWG(UL94V-2)

3:Plating Code:

(Blank)-Phosphor bronze/Tin over Nickel,Ni:30~50u"(0.76~1.27um)

GP-Phosphor bronze/Gold over Nickel,

Au:1u"(0.0254um) MIN,Ni:30~50u"(0.76~1.27um)

(Optional Gold plating available but MOQ requested)

G15-Phosphor bronze/Gold over Nickel,

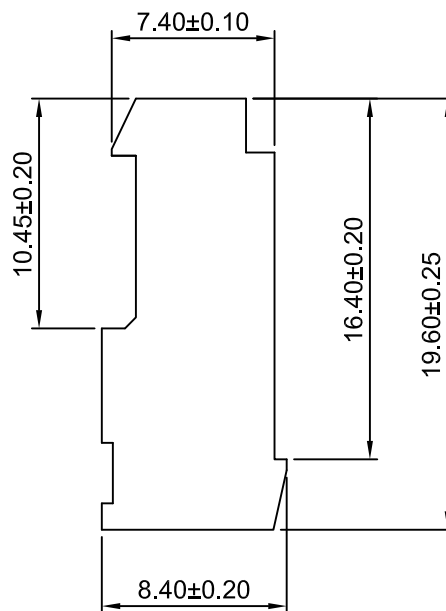
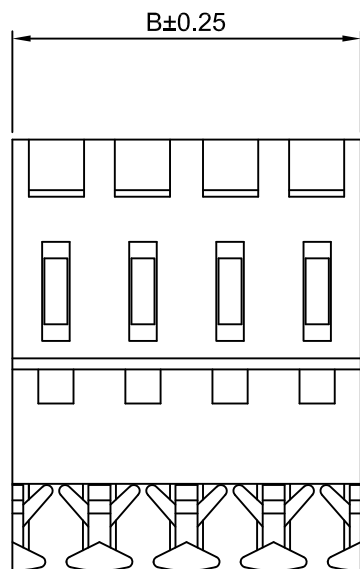
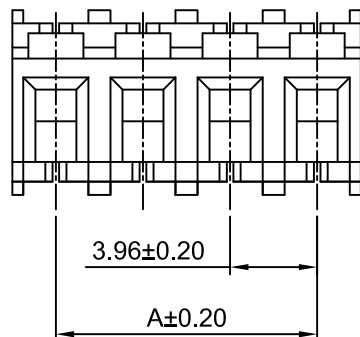
Au:15u"(0.38um) MIN,Ni:30~50u"(0.76~1.27um)

(Optional Gold plating available but MOQ requested)

G30-Phosphor bronze/Gold over Nickel,

Au:30u"(0.76um) MIN,Ni:30~50u"(0.76~1.27um)

(Optional Gold plating available but MOQ requested)



SPECIFICATIONS:

Current Rating: 7A AC,DC

Voltage Rating: 600V AC,DC

Temperature Range: -25°C ~ +85°C

Contact Resistance: 10mΩ Max.

Insulation Resistance: 1000MΩ Min.

Withstanding Voltage: 1500V AC/minute

Housing Material: Nylon66 UL 94V-2 or UL 94V-0(Natural)

Terminal Material: Phosphor bronze/Tin over Nickel

Ordering Information & Dimensions

Circuits	Dimensions(mm)		Circuits	Dimensions(mm)	
	A	B		A	B
2P	3.96	7.92	12P	43.56	47.52
3P	7.92	11.88	13P	47.52	51.48
4P	11.88	15.84	14P	51.48	55.44
5P	15.84	19.80	15P	55.44	59.40
6P	19.80	23.76	16P	59.40	63.36
7P	23.76	27.72	17P	63.36	67.32
8P	27.72	31.68	18P	67.32	71.28
9P	31.68	35.64	19P	71.28	75.24
10P	35.64	39.60	20P	75.24	79.20
11P	39.60	43.56			



深圳市华德共创科技有限公司

SHENZHEN HUADE CO-CREATE TECHNOLOGY CO.,LTD

TEL : 0755-27129737 FAX : 0755-29940187

-TOLERANCES- UNLESS OTHERWISE SPECIFIED 公差参数表						TITLE: 3.96mm IDC 产品名称: Closed End Type			
X.X	±0.30	X.X°	±3°	APPD: 核准:	XIE	PART NO: 产品编号: HDGC3969HH-XP			
X.XX	±0.30	X.XX°	±2°	CHECK: 校对:	WANG	DATE	SCALE	UNIT	CODE NUMBER
X.XXX	±0.10	X.XXX°	±1°	DRAW: 绘图:	WANG	2013-12-10	3:1	mm	A008

修订 REV	标记 MARK	修改摘要 REVISION DESCRIPTION	签名 SIGNATURE	日期 DATE
AO		NEW RELEASE	WANG	2013-12-10

Ordering Information:

HDGC3969HI-XP - ^{**}/₁ - ^{**}/_{2 3}

1:Part No.

2:Wire Range and Material:

2-22 AWG(UL94V-2)

4-24 AWG(UL94V-2)

6-26 AWG(UL94V-2)

8-28 AWG(UL94V-2)

3:Plating Code:

(Blank)-Phosphor bronze/Tin over Nickel,Ni:30~50u"(0.76~1.27um)

GP-Phosphor bronze/Gold over Nickel,

Au:1u"(0.0254um) MIN,Ni:30~50u"(0.76~1.27um)

(Optional Gold plating available but MOQ requested)

G15-Phosphor bronze/Gold over Nickel,

Au:15u"(0.38um) MIN,Ni:30~50u"(0.76~1.27um)

(Optional Gold plating available but MOQ requested)

G30-Phosphor bronze/Gold over Nickel,

Au:30u"(0.76um) MIN,Ni:30~50u"(0.76~1.27um)

(Optional Gold plating available but MOQ requested)

SPECIFICATIONS:

Current Rating: 7A AC,DC

Voltage Rating: 600V AC,DC

Temperature Range: -25°C ~ +85°C

Contact Resistance: 10mΩ Max.

Insulation Resistance: 1000MΩ Min.

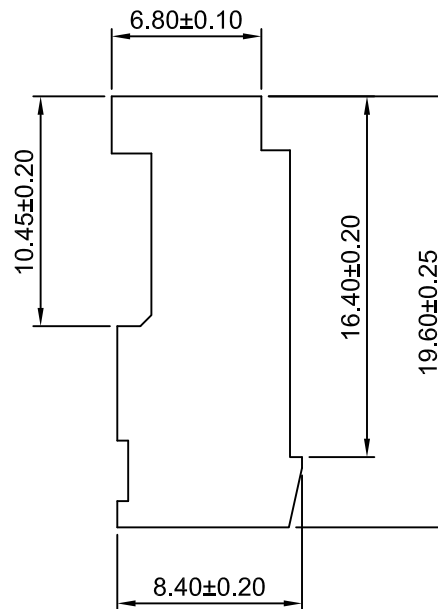
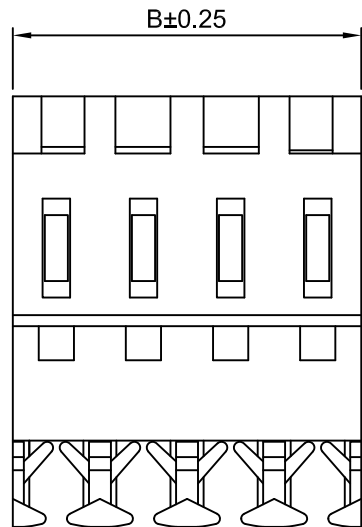
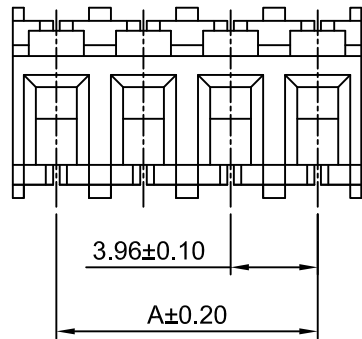
Withstanding Voltage: 1500V AC/minute


Housing Material: Nylon66 UL 94V-2 or UL 94V-0(Natural)

Terminal Material: Phosphor bronze/Tin over Nickel

Ordering Information & Dimensions



Circuits	Dimensions(mm)		Circuits	Dimensions(mm)	
	A	B		A	B
2P	3.96	7.92	12P	43.56	47.52
3P	7.92	11.88	13P	47.52	51.48
4P	11.88	15.84	14P	51.48	55.44
5P	15.84	19.80	15P	55.44	59.40
6P	19.80	23.76	16P	59.40	63.36
7P	23.76	27.72	17P	63.36	67.32
8P	27.72	31.68	18P	67.32	71.28
9P	31.68	35.64	19P	71.28	75.24
10P	35.64	39.60	20P	75.24	79.20
11P	39.60	43.56			





深圳市华德共创科技有限公司

SHENZHEN HUADE CO-CREATE TECHNOLOGY CO.,LTD
TEL : 0755-27129737 FAX : 0755-29940187

-TOLERANCES- UNLESS OTHERWISE SPECIFIED 公差参数表				 	TITLE: 3.96mm IDC 产品名称: Closed End Type			
X.X	±0.30	X.X°	±3°	APPD: 核准:	XIE			
X.XX	±0.30	X.XX°	±2°	CHECK: 校对:	WANG			
X.XXX	±0.10	X.XXX°	±1°	DRAW: 绘图:	WANG			
PART NO: 产品编号:					HDGC3969HI-XP			
		DATE	SCALE	UNIT	CODE NUMBER			
		2013-12-10	3:1	mm	A008			

修订 REV	标记 MARK	修改摘要 REVISION DESCRIPTION	签名 SIGNATURE	日期 DATE
AO		NEW RELEASE	WANG	2013-12-10

Ordering Information:

HDGC3969HJ-XP - $\frac{**}{1}$ - $\frac{**}{2}$ - $\frac{**}{3}$

1:Part No.

2:Wire Range and Material:

2-22 AWG(UL94V-2)

4-24 AWG(UL94V-2)

6-26 AWG(UL94V-2)

8-28 AWG(UL94V-2)

3:Plating Code:

(Blank)-Phosphor bronze/Tin over Nickel,Ni:30~50u"(0.76~1.27um)

GP-Phosphor bronze/Gold over Nickel,

Au:1u"(0.0254um) MIN,Ni:30~50u"(0.76~1.27um)

(Optional Gold plating available but MOQ requested)

G15-Phosphor bronze/Gold over Nickel,

Au:15u"(0.38um) MIN,Ni:30~50u"(0.76~1.27um)

(Optional Gold plating available but MOQ requested)

G30-Phosphor bronze/Gold over Nickel,

Au:30u"(0.76um) MIN,Ni:30~50u"(0.76~1.27um)

(Optional Gold plating available but MOQ requested)

SPECIFICATIONS:

Current Rating: 7A AC,DC

Voltage Rating: 600V AC,DC

Temperature Range: -25°C ~ +85°C

Contact Resistance: 10mΩ Max.

Insulation Resistance: 1000MΩ Min.

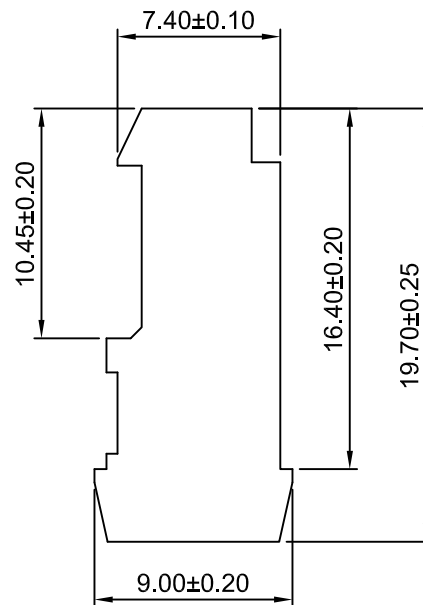
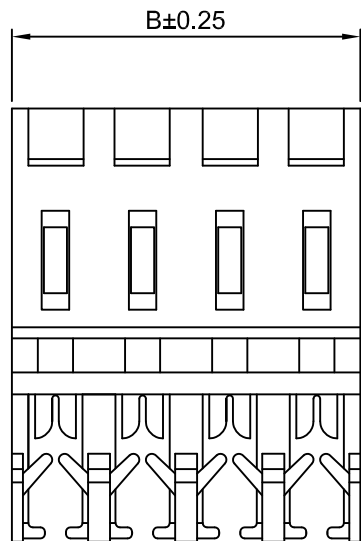
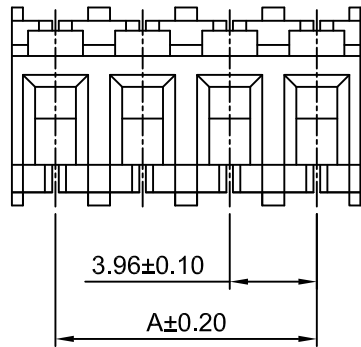
Withstanding Voltage: 1500V AC/minute

Housing Material: Nylon66 UL 94V-2 or UL 94V-0(Natural)

Terminal Material: Phosphor bronze/Tin over Nickel

Ordering Information & Dimensions

Circuits	Dimensions(mm)		Circuits	Dimensions(mm)	
	A	B		A	B
2P	3.96	7.92	12P	43.56	47.52
3P	7.92	11.88	13P	47.52	51.48
4P	11.88	15.84	14P	51.48	55.44
5P	15.84	19.80	15P	55.44	59.40
6P	19.80	23.76	16P	59.40	63.36
7P	23.76	27.72	17P	63.36	67.32
8P	27.72	31.68	18P	67.32	71.28
9P	31.68	35.64	19P	71.28	75.24
10P	35.64	39.60	20P	75.24	79.20
11P	39.60	43.56			



深圳市华德共创科技有限公司

SHENZHEN HUADE CO-CREATE TECHNOLOGY CO.,LTD

TEL : 0755-27129737 FAX : 0755-29940187

-TOLERANCES- UNLESS OTHERWISE SPECIFIED 公差参数表			TITLE: 3.96mm IDC 产品名称: Feed-Thru Connector	
X.X	±0.30	X.X°	±3°	APPD: 核准: XIE
X.XX	±0.30	X.XX°	±2°	CHECK: 校对: WANG
X.XXX	±0.10	X.XXX°	±1°	DRAW: 绘图: WANG
PART NO: HDGC3969HJ-XP 产品编号:		DATE	SCALE	UNIT
		2013-12-10	3:1	mm
		CODE NUMBER		A008

修订 REV	标记 MARK	修改摘要 REVISION DESCRIPTION	签名 SIGNATURE	日期 DATE
AO		NEW RELEASE	WANG	2013-12-10

Ordering Information:

HDGC3969HK-XP - $\frac{**}{1}$ - $\frac{**}{2}$ - $\frac{**}{3}$

1:Part No.

2:Wire Range and Material:

2-22 AWG(UL94V-2)

4-24 AWG(UL94V-2)

6-26 AWG(UL94V-2)

8-28 AWG(UL94V-2)

3:Plating Code:

(Blank)-Phosphor bronze/Tin over Nickel,Ni:30~50u"(0.76~1.27um)

GP-Phosphor bronze/Gold over Nickel,

Au:1u"(0.0254um) MIN,Ni:30~50u"(0.76~1.27um)

(Optional Gold plating available but MOQ requested)

G15-Phosphor bronze/Gold over Nickel,

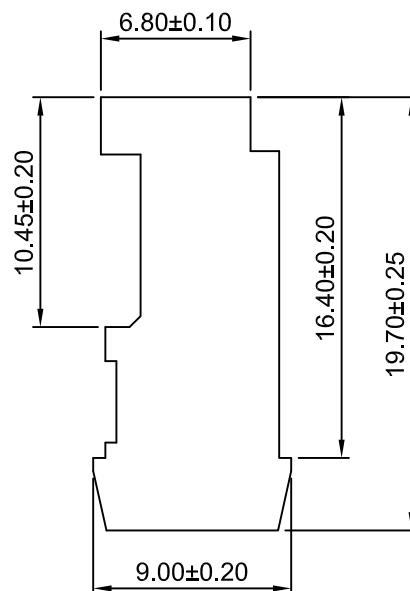
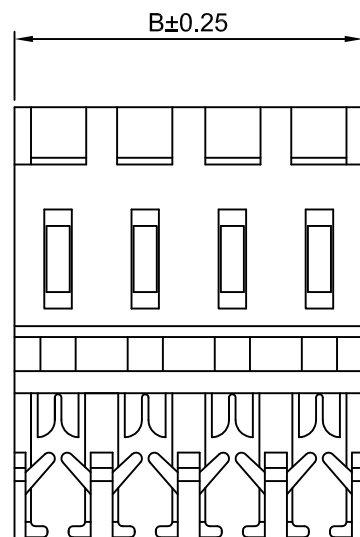
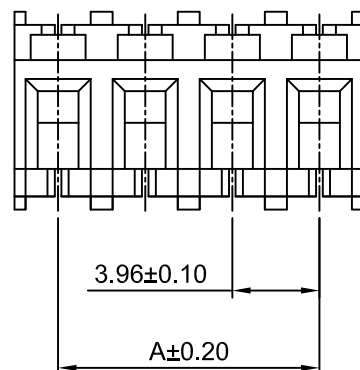
Au:15u"(0.38um) MIN,Ni:30~50u"(0.76~1.27um)

(Optional Gold plating available but MOQ requested)

G30-Phosphor bronze/Gold over Nickel,

Au:30u"(0.76um) MIN,Ni:30~50u"(0.76~1.27um)

(Optional Gold plating available but MOQ requested)



SPECIFICATIONS:

Current Rating: 7A AC,DC

Voltage Rating: 600V AC,DC

Temperature Range: -25°C ~ +85°C

Contact Resistance: 10mΩ Max.

Insulation Resistance: 1000MΩ Min.

Withstanding Voltage: 1500V AC/minute

Housing Material: Nylon66 UL 94V-2 or UL 94V-0(Natural)

Terminal Material: Phosphor bronze/Tin over Nickel

Ordering Information & Dimensions

Circuits	Dimensions(mm)		Circuits	Dimensions(mm)	
	A	B		A	B
2P	3.96	7.92	12P	43.56	47.52
3P	7.92	11.88	13P	47.52	51.48
4P	11.88	15.84	14P	51.48	55.44
5P	15.84	19.80	15P	55.44	59.40
6P	19.80	23.76	16P	59.40	63.36
7P	23.76	27.72	17P	63.36	67.32
8P	27.72	31.68	18P	67.32	71.28
9P	31.68	35.64	19P	71.28	75.24
10P	35.64	39.60	20P	75.24	79.20
11P	39.60	43.56			



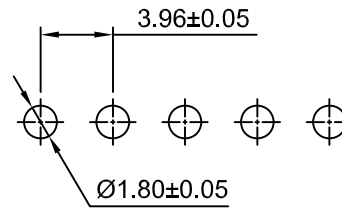
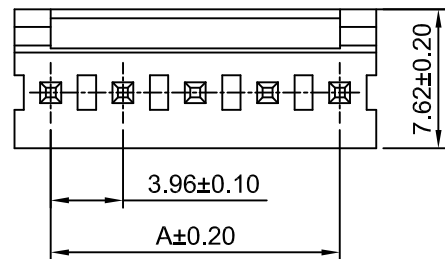
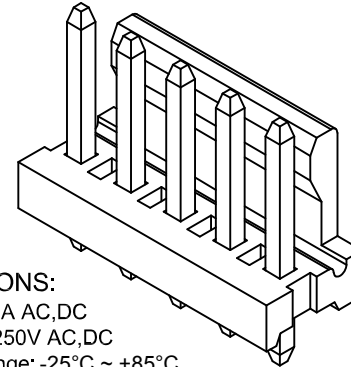
深圳市华德共创科技有限公司

SHENZHEN HUADE CO-CREATE TECHNOLOGY CO.,LTD

TEL : 0755-27129737 FAX : 0755-29940187

-TOLERANCES- UNLESS OTHERWISE SPECIFIED 公差参数表						TITLE: 3.96mm IDC 产品名称: Feed-Thru Connector			
X.X	±0.30	X.X°	±3°	APPD: 核准:	XIE	PART NO: 产品编号: HDGC3969HK-XP			
X.XX	±0.30	X.XX°	±2°	CHECK: 校对:	WANG	DATE	SCALE	UNIT	CODE NUMBER
X.XXX	±0.10	X.XXX°	±1°	DRAW: 绘图:	WANG	2013-12-10	3:1	mm	A008

修订 REV	标记 MARK	修改摘要 REVISION DESCRIPTION	签名 SIGNATURE	日期 DATE
AO		NEW RELEASE	WANG	2013-12-10



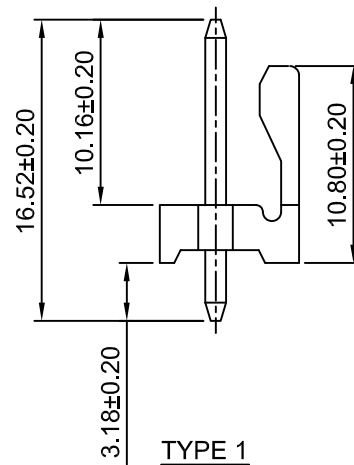
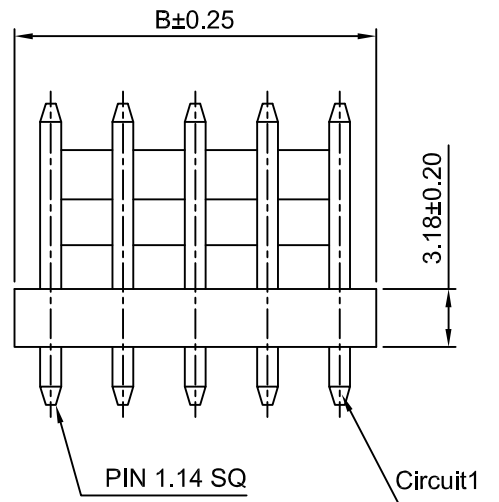
P.C.B LAYOUT

SPECIFICATIONS:

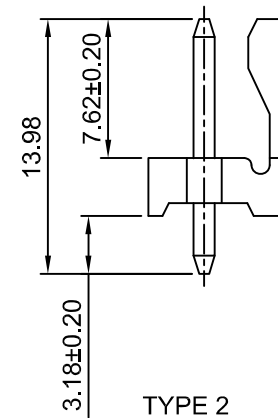
Current Rating: 7A AC,DC
Voltage Rating: 250V AC,DC
Temperature Range: -25°C ~ +85°C
Contact Resistance: 20mΩ Max.
Insulation Resistance: 1000MΩ Min.
Withstanding Voltage: 1500V AC/minute
Material: Nylon66 UL 94V-0 (Natal)
PIN Material: Brass/Tin over Nickel

Ordering Information & Dimensions

Circuits	Dimensions(mm)		Circuits	Dimensions(mm)	
	A	B		A	B
2P	3.96	7.92	14P	51.48	55.44
3P	7.92	11.88	15P	55.44	59.40
4P	11.88	15.84	16P	59.40	63.36
5P	15.84	19.80	17P	63.36	67.32
6P	19.80	23.76	18P	67.32	71.28
7P	23.76	27.72	19P	71.28	75.24
8P	27.72	31.68	20P	75.24	79.20
9P	31.68	35.64	21P	79.20	83.16
10P	35.64	39.60	22P	83.16	87.12
11P	39.60	43.56	23P	87.12	91.08
12P	43.56	47.52	24P	91.08	95.04
13P	47.52	51.48			



TYPE 1



TYPE 2

Ordering Information:

HDGC3969WV-XP - *
1 2

1.Part No.

2.Type:

(Blank):TYPE 1

L:TYPE 2



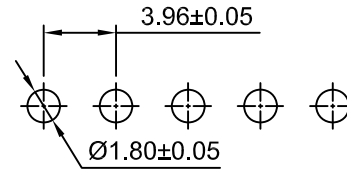
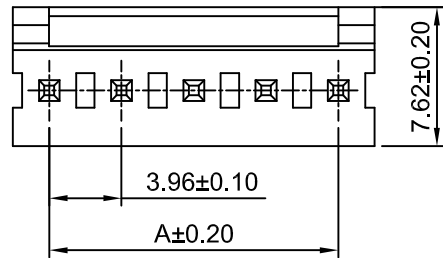
深圳市华德共创科技有限公司

SHENZHEN HUADE CO-CREATE TECHNOLOGY CO.,LTD

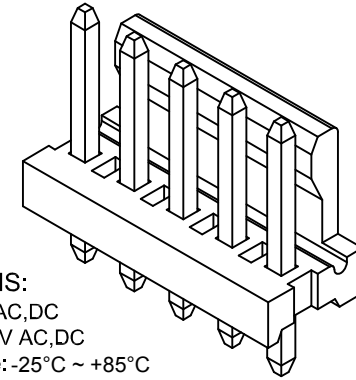
TEL : 0755-27129737 FAX : 0755-29940187

-TOLERANCES- UNLESS OTHERWISE SPECIFIED 公差参数表				TITLE: 3.96mm Pitch 产品名称: 180° Wafer	
X.X	±0.30	X.X°	±3°	APPD: 核准:	XIE
X.XX	±0.30	X.XX°	±2°	CHECK: 校对:	WANG
X.XXX	±0.10	X.XXX°	±1°	DRAW: 绘图:	WANG
PART NO: 产品编号:			HDGC3969WV-XP		
DATE		SCALE	UNIT	CODE NUMBER	
2013-12-10		2.5:1	mm	A008	

修订 REV	标记 MARK	修改摘要 REVISION DESCRIPTION	签名 SIGNATURE	日期 DATE
AO		NEW RELEASE	WANG	2013-12-10



P.C.B LAYOUT

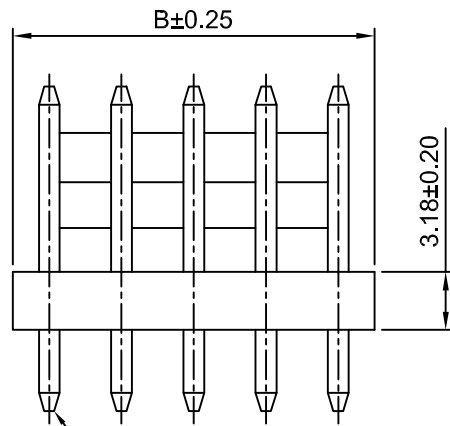


SPECIFICATIONS:

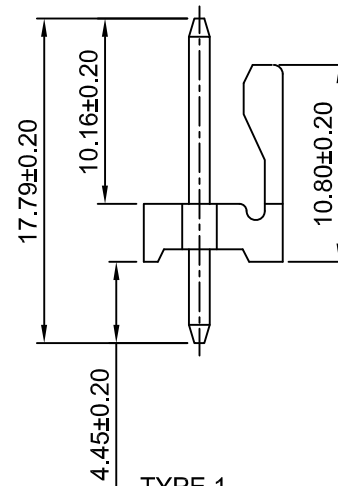
Current Rating: 7A AC,DC
Voltage Rating: 250V AC,DC
Temperature Range: -25°C ~ +85°C
Contact Resistance: 20mΩ Max.
Insulation Resistance: 1000MΩ Min.
Withstanding Voltage: 1500V AC/minute
Material: Nylon66 UL 94V-0 (Natural)
PIN Material: Brass/Tin over Nickel

Ordering Information & Dimensions

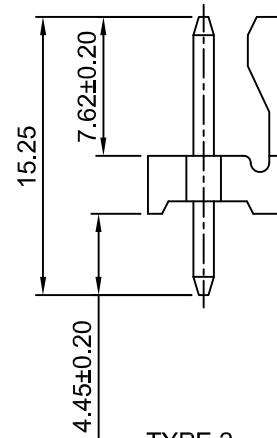
Circuits	Dimensions(mm)		Circuits	Dimensions(mm)	
	A	B		A	B
2P	3.96	7.92	14P	51.48	55.44
3P	7.92	11.88	15P	55.44	59.40
4P	11.88	15.84	16P	59.40	63.36
5P	15.84	19.80	17P	63.36	67.32
6P	19.80	23.76	18P	67.32	71.28
7P	23.76	27.72	19P	71.28	75.24
8P	27.72	31.68	20P	75.24	79.20
9P	31.68	35.64	21P	79.20	83.16
10P	35.64	39.60	22P	83.16	87.12
11P	39.60	43.56	23P	87.12	91.08
12P	43.56	47.52	24P	91.08	95.04
13P	47.52	51.48			



PIN 1.14 SQ



TYPE 1



TYPE 2

Ordering Information:

HDGC3969WV-XP-H - *
1 2

1.Part No.

2.Type:

(Blank):TYPE 1

L:TYPE 2



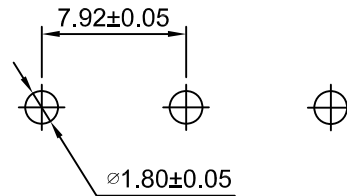
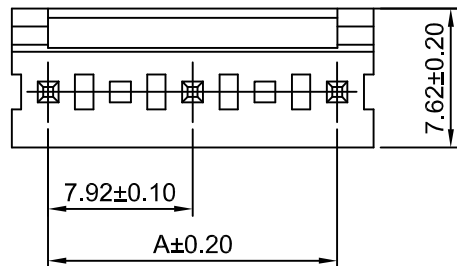
深圳市华德共创科技有限公司

SHENZHEN HUADE CO-CREATE TECHNOLOGY CO.,LTD

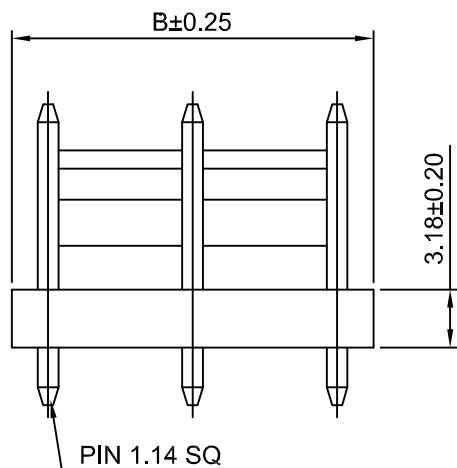
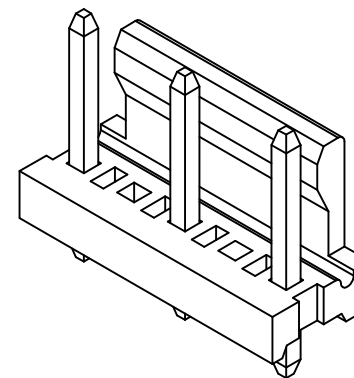
TEL : 0755-27129737 FAX : 0755-29940187

-TOLERANCES- UNLESS OTHERWISE SPECIFIED 公差参数表						TITLE: 3.96mm Pitch 产品名称: 180° Wafer			
X.X	±0.30	X.X°	±3°	APPD: 核准:	XIE	PART NO: 产品编号: HDGC3969WV-XP-H			
X.XX	±0.30	X.XX°	±2°	CHECK: 校对:	WANG	DATE	SCALE	UNIT	CODE NUMBER
X.XXX	±0.10	X.XXX°	±1°	DRAW: 绘图:	WANG	2013-12-10	2.5:1	mm	A008

修订 REV	标记 MARK	修改摘要 REVISION DESCRIPTION	签名 SIGNATURE	日期 DATE
AO		NEW RELEASE	WANG	2013-12-10



P.C.B LAYOUT



Ordering Information:

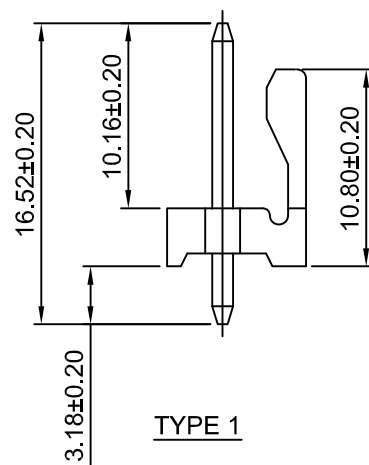
HDGC3969WV-XP-A - *
1 2

1.Part No.

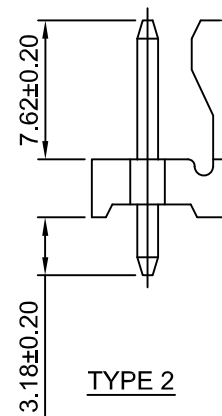
2.Type:

(Blank):TYPE 1

L:TYPE 2



TYPE 1



TYPE 2

SPECIFICATIONS:

Current Rating: 7A AC,DC

Voltage Rating: 600V AC,DC

Temperature Range: -25°C ~ +85°C

Contact Resistance: 20mΩ Max.

Insulation Resistance: 1000MΩ Min.

Withstanding Voltage: 1500V AC/minute

Material: Nylon66 UL 94V-0 (Natural)

PIN Material: Brass/Tin over Nickel

Ordering Information & Dimensions

Circuits	Dimensions(mm)		Circuits	Dimensions(mm)	
	A	B		A	B
3P	7.92	11.88	15P	55.44	59.40
5P	15.84	19.80	17P	63.36	67.32
7P	23.76	27.72	19P	71.28	75.24
9P	31.68	35.64	21P	79.20	83.16
11P	39.60	43.56	23P	87.12	91.08
13P	47.52	51.48			



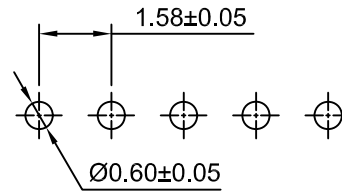
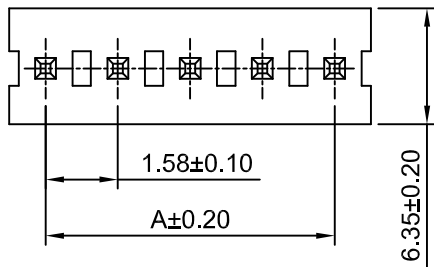
深圳市华德共创科技有限公司

SHENZHEN HUADE CO-CREATE TECHNOLOGY CO.,LTD

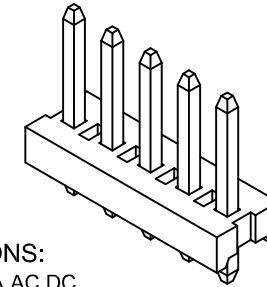
TEL : 0755-27129737 FAX : 0755-29940187

-TOLERANCES- UNLESS OTHERWISE SPECIFIED 公差参数表				TITLE: 3.96mm Pitch 产品名称: 180° Wafer	
X.X	±0.30	X.X°	±3°	APPD: 核准:	XIE
X.XX	±0.30	X.XX°	±2°	CHECK: 校对:	WANG
X.XXX	±0.10	X.XXX°	±1°	DRAW: 绘图:	WANG
PART NO: 产品编号:				HDGC3969WV-XP-A	
DATE		SCALE	UNIT	CODE NUMBER	
2013-12-10		2.5:1	mm	A008	

修订 REV	标记 MARK	修改摘要 REVISION DESCRIPTION	签名 SIGNATURE	日期 DATE
AO		NEW RELEASE	WANG	2013-12-10



P.C.B LAYOUT

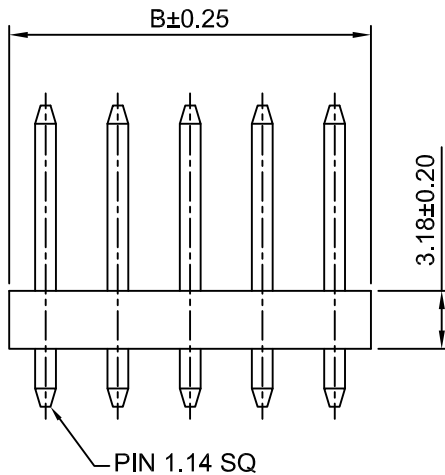


SPECIFICATIONS:

Current Rating: 7A AC,DC
Voltage Rating: 250V AC,DC
Temperature Range: -25°C ~ +85°C
Contact Resistance: 20mΩ Max.
Insulation Resistance: 1000MΩ Min.
Withstanding Voltage: 1500V AC/minute
Material: Nylon66 UL 94V-0 (Natural)
PIN Material: Brass/Tin over Nickel

Ordering Information & Dimensions

Circuits	Dimensions(mm)		Circuits	Dimensions(mm)	
	A	B		A	B
2P	3.96	7.92	14P	51.48	55.44
3P	7.92	11.88	15P	55.44	59.40
4P	11.88	15.84	16P	59.40	63.36
5P	15.84	19.80	17P	63.36	67.32
6P	19.80	23.76	18P	67.32	71.28
7P	23.76	27.72	19P	71.28	75.24
8P	27.72	31.68	20P	75.24	79.20
9P	31.68	35.64	21P	79.20	83.16
10P	35.64	39.60	22P	83.16	87.12
11P	39.60	43.56	23P	87.12	91.08
12P	43.56	47.52	24P	91.08	95.04
13P	47.52	51.48			



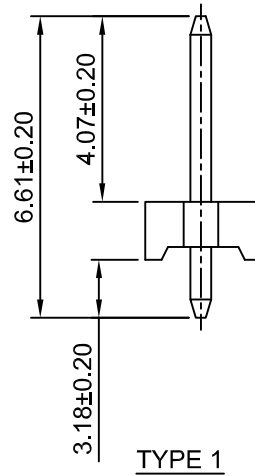
Ordering Information:
HDGC3969WVA-XP - ^x/₂

1.Part No.

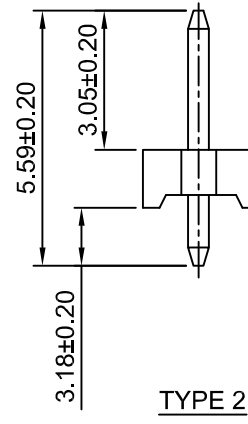
2.Type:

(Blank):TYPE 1

L:TYPE 2



TYPE 1



TYPE 2



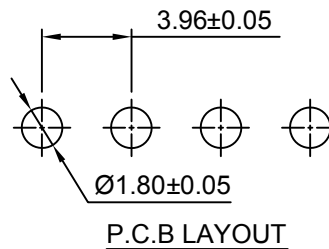
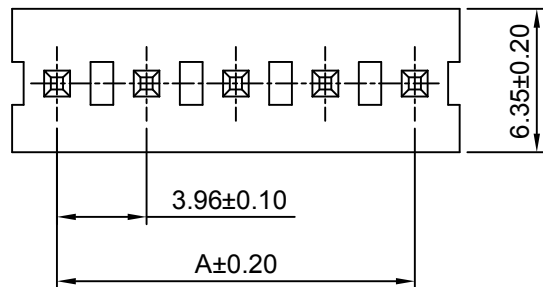
深圳市华德共创科技有限公司

SHENZHEN HUADE CO-CREATE TECHNOLOGY CO.,LTD

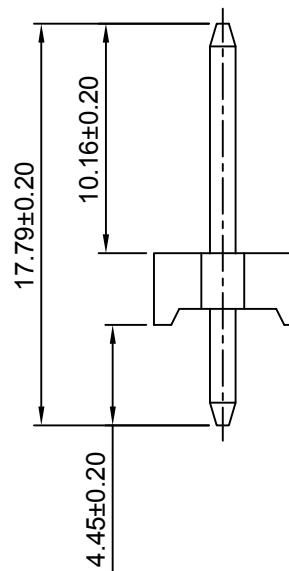
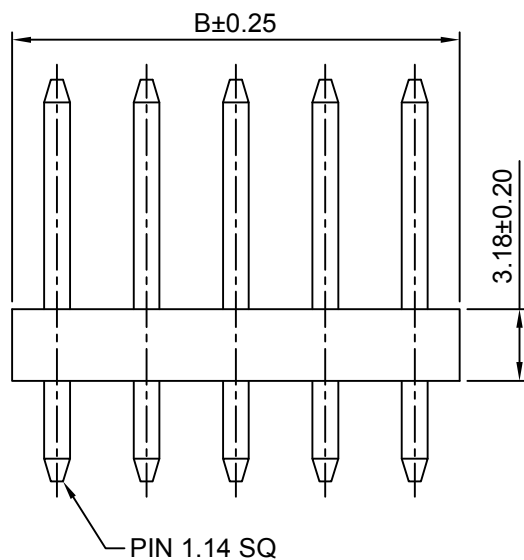
TEL : 0755-27129737 FAX : 0755-29940187

-TOLERANCES- UNLESS OTHERWISE SPECIFIED 公差参数表				TITLE: 3.96mm Pitch 产品名称: 180° Wafer	
X.X	±0.30	X.X°	±3°	APPD: 核准:	XIE
X.XX	±0.30	X.XX°	±2°	CHECK: 校对:	WANG
X.XXX	±0.10	X.XXX°	±1°	DRAW: 绘图:	WANG
PART NO: 产品编号:			HDGC3969WVA-XP		
DATE	SCALE	UNIT	CODE NUMBER		
2013-12-10	2.5:1	mm	A008		

修订 REV	标记 MARK	修改摘要 REVISION DESCRIPTION	签名 SIGNATURE	日期 DATE
AO		NEW RELEASE	WANG	2013-12-10



SPECIFICATIONS:
 Current Rating: 7A AC,DC
 Voltage Rating: 250V AC,DC
 Temperature Range: -25°C ~ +85°C
 Contact Resistance: 20mΩ Max.
 Insulation Resistance: 1000MΩ Min.
 Withstanding Voltage: 1500V AC/minute
 Material: Nylon66 UL 94V-0
 PIN Material: Brass/Tin over Nickel(Natural)



Ordering Information & Dimensions

PART NO.	Dimensions		PART NO.	Dimensions	
	A	B		A	B
HDGC3969WVA-2P-H	3.96	7.92	HDGC3969WVA-14P-H	51.48	55.44
HDGC3969WVA-3P-H	7.92	11.88	HDGC3969WVA-15P-H	55.44	59.40
HDGC3969WVA-4P-H	11.88	15.84	HDGC3969WVA-16P-H	59.40	63.36
HDGC3969WVA-5P-H	15.84	19.80	HDGC3969WVA-17P-H	63.36	67.32
HDGC3969WVA-6P-H	19.80	23.76	HDGC3969WVA-18P-H	67.32	71.28
HDGC3969WVA-7P-H	23.76	27.72	HDGC3969WVA-19P-H	71.28	75.24
HDGC3969WVA-8P-H	27.72	31.68	HDGC3969WVA-20P-H	75.24	79.20
HDGC3969WVA-9P-H	31.68	35.64	HDGC3969WVA-21P-H	79.20	83.16
HDGC3969WVA-10P-H	35.64	39.60	HDGC3969WVA-22P-H	83.16	87.12
HDGC3969WVA-11P-H	39.60	43.56	HDGC3969WVA-23P-H	87.12	91.08
HDGC3969WVA-12P-H	43.56	47.52	HDGC3969WVA-24P-H	91.08	95.04
HDGC3969WVA-13P-H	47.52	51.48			

Unit: mm



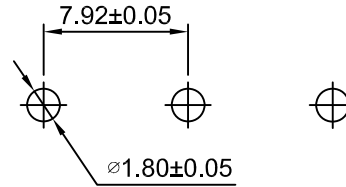
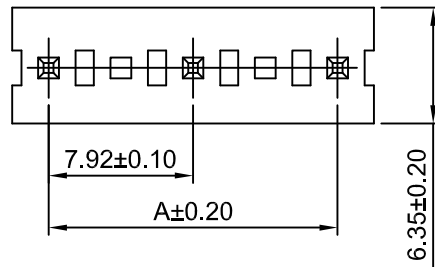
深圳市华德共创科技有限公司

SHENZHEN HUADE CO-CREATE TECHNOLOGY CO.,LTD

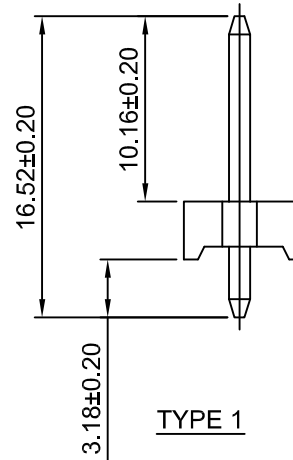
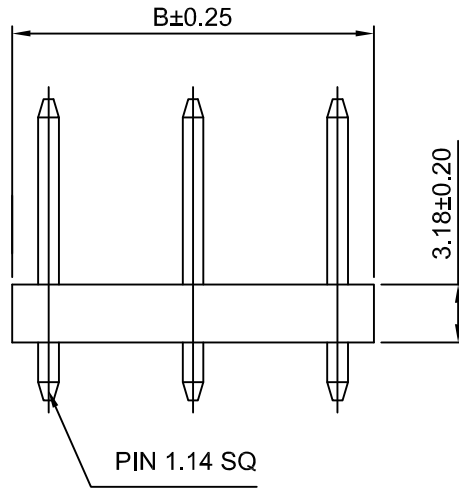
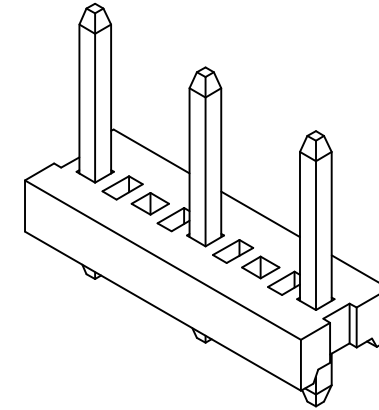
TEL : 0755-27129737 FAX : 0755-29940187

-TOLERANCES- UNLESS OTHERWISE SPECIFIED 公差参数表						TITLE: 3.96mm Pitch 产品名称: 180° Wafer			
X.X	±0.30	X.X°	±3°	APPD: 核准:	XIE	PART NO: 产品编号: HDGC3969WVA-XP-H			
X.XX	±0.30	X.XX°	±2°	CHECK: 校对:	WANG	DATE	SCALE	UNIT	CODE NUMBER
X.XXX	±0.10	X.XXX°	±1°	DRAW: 绘图:	WANG	2013-12-10	1:1	mm	A008

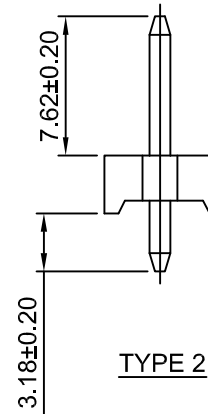
修订 REV	标记 MARK	修改摘要 REVISION DESCRIPTION	签名 SIGNATURE	日期 DATE
AO		NEW RELEASE	WANG	2013-12-10



P.C.B LAYOUT



TYPE 1



TYPE 2

SPECIFICATIONS:

Current Rating: 7A AC,DC
Voltage Rating: 600V AC,DC
Temperature Range: -25°C ~ +85°C
Contact Resistance: 20mΩ Max.
Insulation Resistance: 1000MΩ Min.
Withstanding Voltage: 1500V AC/minute
Material: Nylon66 UL 94V-0 (Natural)
PIN Material: Brass/Tin over Nickel

Ordering Information & Dimensions

Circuits	Dimensions(mm)		Circuits	Dimensions(mm)	
	A	B		A	B
3P	7.92	11.88	15P	55.44	59.40
5P	15.84	19.80	17P	63.36	67.32
7P	23.76	27.72	19P	71.28	75.24
9P	31.68	35.64	21P	79.20	83.16
11P	39.60	43.56	23P	87.12	91.08
13P	47.52	51.48			

Ordering Information:
HDGC3969WVA-XP-A - *
1 2

- 1.Part No.
- 2.Type:
(Blank):TYPE 1
L:TYPE 2



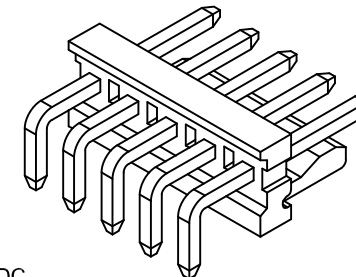
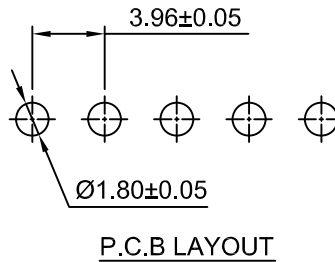
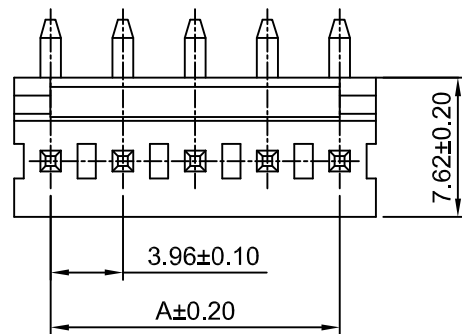
深圳市华德共创科技有限公司

SHENZHEN HUADE CO-CREATE TECHNOLOGY CO.,LTD

TEL : 0755-27129737 FAX : 0755-29940187

-TOLERANCES- UNLESS OTHERWISE SPECIFIED 公差参数表						TITLE: 3.96mm Pitch 产品名称: 180° Wafer			
X.X	±0.30	X.X°	±3°	APPD: 核准:	XIE	PART NO: 产品编号: HDGC3969WVA-XP-A			
X.XX	±0.30	X.XX°	±2°	CHECK: 校对:	WANG	DATE	SCALE	UNIT	CODE NUMBER
X.XXX	±0.10	X.XXX°	±1°	DRAW: 绘图:	WANG	2013-12-10	2.5:1	mm	A008

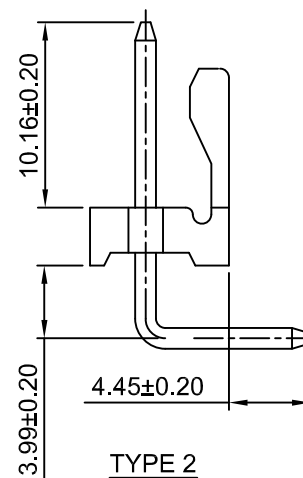
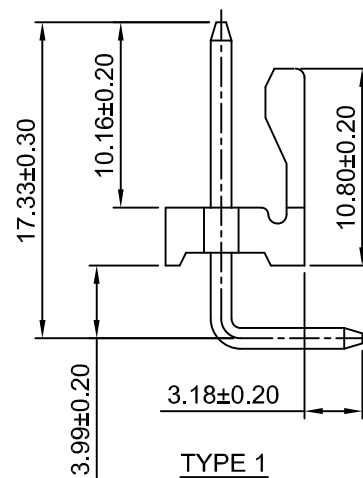
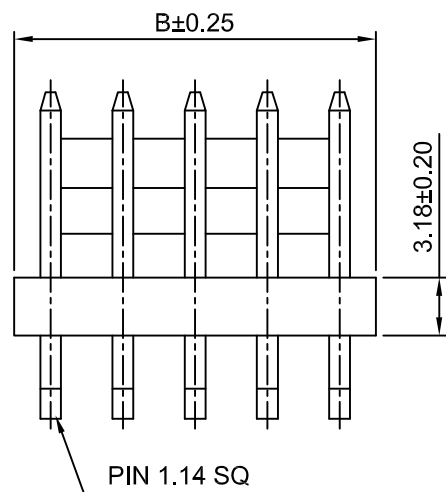
修订 REV	标记 MARK	修改摘要 REVISION DESCRIPTION	签名 SIGNATURE	日期 DATE
AO		NEW RELEASE	WANG	2013-12-10



SPECIFICATIONS:

Current Rating: 7A AC,DC
Voltage Rating: 250V AC,DC
Temperature Range: -25°C ~ +85°C
Contact Resistance: 20mΩ Max.
Insulation Resistance: 1000MΩ Min.
Withstanding Voltage: 1500V AC/minute
Material: Nylon66 UL 94V-0 (Natural)
PIN Material: Brass/Tin over Nickel
Ordering Information & Dimensions

Circuits	Dimensions(mm)		Circuits	Dimensions(mm)	
	A	B		A	B
2P	3.96	7.92	14P	51.48	55.44
3P	7.92	11.88	15P	55.44	59.40
4P	11.88	15.84	16P	59.40	63.36
5P	15.84	19.80	17P	63.36	67.32
6P	19.80	23.76	18P	67.32	71.28
7P	23.76	27.72	19P	71.28	75.24
8P	27.72	31.68	20P	75.24	79.20
9P	31.68	35.64	21P	79.20	83.16
10P	35.64	39.60	22P	83.16	87.12
11P	39.60	43.56	23P	87.12	91.08
12P	43.56	47.52	24P	91.08	95.04
13P	47.52	51.48			



Ordering Information:
HDGC3969WR-XP - *
1 2

1.Part No.
2.Type:
(Blank):TYPE 1
H:TYPE 2

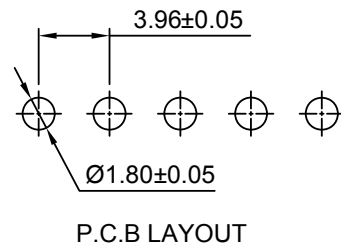
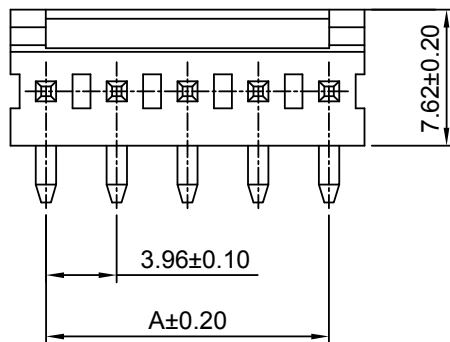
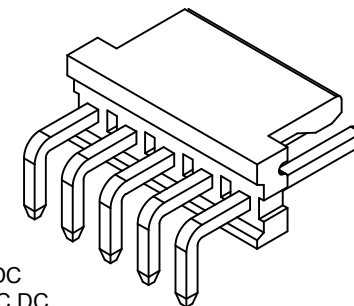
HDGC 深圳市华德共创科技有限公司
SHENZHEN HUADE CO-CREATE TECHNOLOGY CO.,LTD
TEL : 0755-27129737 FAX : 0755-29940187

-TOLERANCES- UNLESS OTHERWISE SPECIFIED 公差参数表						TITLE: 3.96mm Pitch 产品名称: 90° Wafer			
X.X	±0.30	X.X°	±3°	APPD: 核准:	XIE	PART NO: 产品编号: HDGC3969WR-XP			
X.XX	±0.30	X.XX°	±2°	CHECK: 校对:	WANG	DATE	SCALE	UNIT	CODE NUMBER
X.XXX	±0.10	X.XXX°	±1°	DRAW: 绘图:	WANG	2013-12-10	2.5:1	mm	A008

修订 REV	标记 MARK	修改摘要 REVISION DESCRIPTION	签名 SIGNATURE	日期 DATE
AO		NEW RELEASE	WANG	2013-12-10

Ordering Information:
HDGC3969WR-XP-2 - *
 1 2

1.Part No.
 2.Type:
 (Blank):TYPE 1
 H:TYPE 2

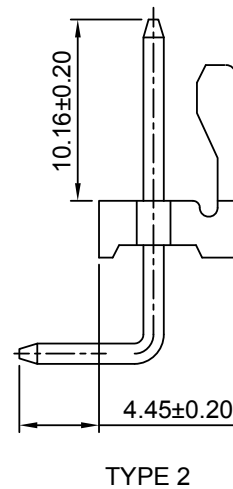
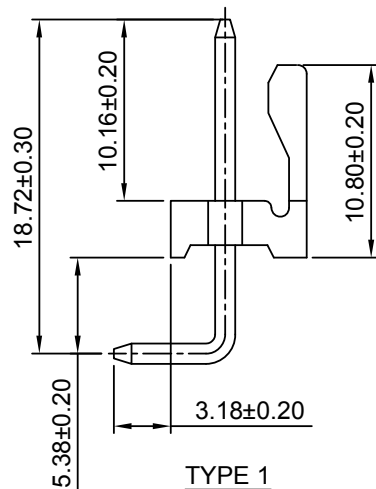
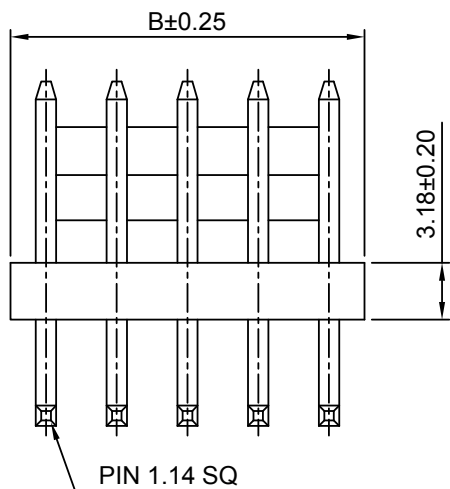


SPECIFICATIONS:

Current Rating: 7A AC,DC
 Voltage Rating: 250V AC,DC
 Temperature Range: -25°C ~ +85°C
 Contact Resistance: 20mΩ Max.
 Insulation Resistance: 1000MΩ Min.
 Withstanding Voltage: 1500V AC/minute
 Material: Nylon66 UL 94V-0 (Natural)
 PIN Material: Brass/Tin over Nickel

Ordering Information & Dimensions

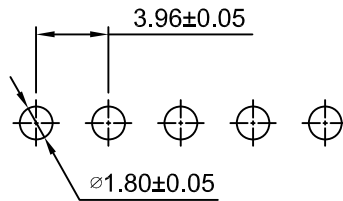
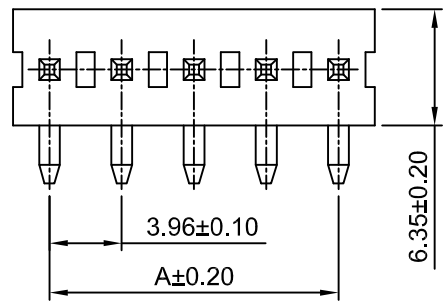
Circuits	Dimensions(mm)		Circuits	Dimensions(mm)	
	A	B		A	B
2P	3.96	7.92	14P	51.48	55.44
3P	7.92	11.88	15P	55.44	59.40
4P	11.88	15.84	16P	59.40	63.36
5P	15.84	19.80	17P	63.36	67.32
6P	19.80	23.76	18P	67.32	71.28
7P	23.76	27.72	19P	71.28	75.24
8P	27.72	31.68	20P	75.24	79.20
9P	31.68	35.64	21P	79.20	83.16
10P	35.64	39.60	22P	83.16	87.12
11P	39.60	43.56	23P	87.12	91.08
12P	43.56	47.52	24P	91.08	95.04
13P	47.52	51.48			



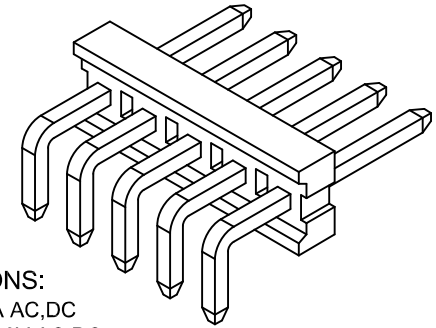
HDGC 深圳市华德共创科技有限公司
 SHENZHEN HUADE CO-CREATE TECHNOLOGY CO.,LTD
 TEL : 0755-27129737 FAX : 0755-29940187

-TOLERANCES- UNLESS OTHERWISE SPECIFIED 公差参数表				 		TITLE: 3.96mm Pitch 产品名称: 90° Wafer			
X.X	±0.30	X.X°	±3°	APPD: 核准:	XIE	PART NO: 产品编号: HDGC3969WR-XP-2			
X.XX	±0.30	X.XX°	±2°	CHECK: 校对:	WANG	DATE	SCALE	UNIT	CODE NUMBER
X.XXX	±0.10	X.XXX°	±1°	DRAW: 绘图:	WANG	2013-12-10	2.5:1	mm	A008

修订 REV	标记 MARK	修改摘要 REVISION DESCRIPTION	签名 SIGNATURE	日期 DATE
AO		NEW RELEASE	WANG	2013-12-10



P.C.B LAYOUT

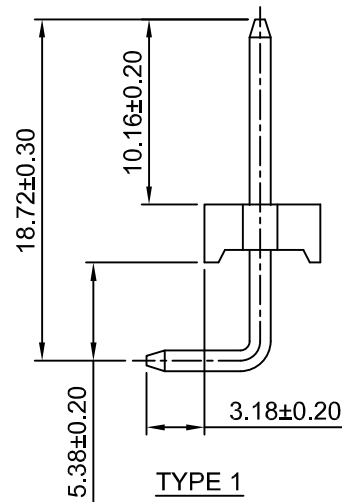
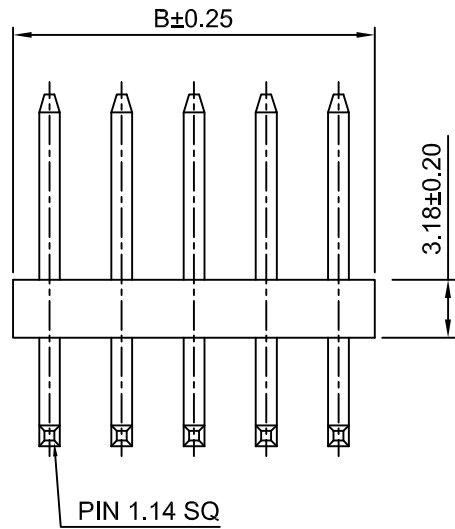


SPECIFICATIONS:

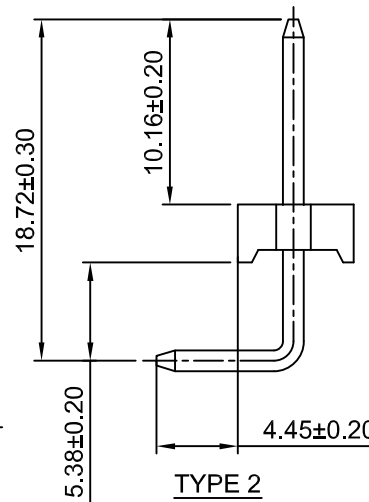
Current Rating: 7A AC,DC
Voltage Rating: 600V AC,DC
Temperature Range: -25°C ~ +85°C
Contact Resistance: 20mΩ Max.
Insulation Resistance: 1000MΩ Min.
Withstanding Voltage: 1500V AC/minute
Material: Nylon66 UL 94V-0 (Natural)
PIN Material: Brass/Tin over Nickel

Ordering Information & Dimensions

Circuits	Dimensions(mm)		Circuits	Dimensions(mm)	
	A	B		A	B
2P	3.96	7.92	14P	51.48	55.44
3P	7.92	11.88	15P	55.44	59.40
4P	11.88	15.84	16P	59.40	63.36
5P	15.84	19.80	17P	63.36	67.32
6P	19.80	23.76	18P	67.32	71.28
7P	23.76	27.72	19P	71.28	75.24
8P	27.72	31.68	20P	75.24	79.20
9P	31.68	35.64	21P	79.20	83.16
10P	35.64	39.60	22P	83.16	87.12
11P	39.60	43.56	23P	87.12	91.08
12P	43.56	47.52	24P	91.08	95.04
13P	47.52	51.48			



TYPE 1



TYPE 2

Ordering Information:
HDGC3969WRA-XP - *
1 2

- 1.Part No.
- 2.Type:
- (Blank):TYPE 1
- H:TYPE 2

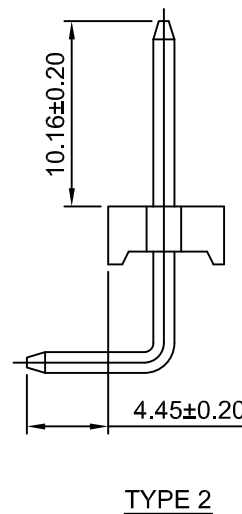
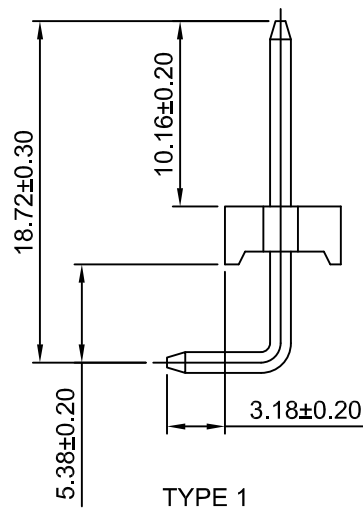
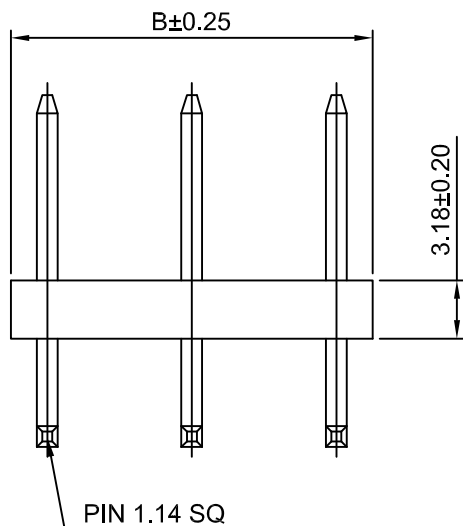
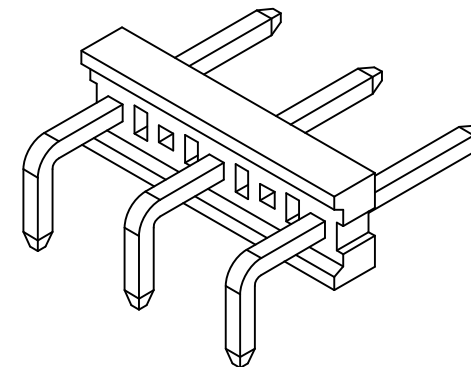
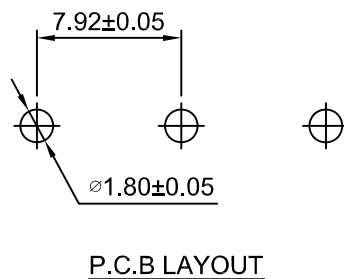
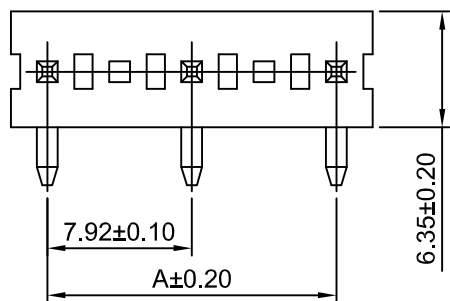


深圳市华德共创科技有限公司

SHENZHEN HUADE CO-CREATE TECHNOLOGY CO.,LTD
TEL : 0755-27129737 FAX : 0755-29940187

-TOLERANCES- UNLESS OTHERWISE SPECIFIED 公差参数表				TITLE: 产品名称: 3.96mm Pitch 90° Wafer	
X.X	±0.30	X.X°	±3°	APPD: 核准:	XIE
X.XX	±0.30	X.XX°	±2°	CHECK: 校对:	WANG
X.XXX	±0.10	X.XXX°	±1°	DRAW: 绘图:	WANG
PART NO: 产品编号:		HDGC3969WRA-XP			
DATE	SCALE	UNIT	CODE NUMBER		
2013-12-10	2.5:1	mm	A008		

修订 REV	标记 MARK	修改摘要 REVISION DESCRIPTION	签名 SIGNATURE	日期 DATE
AO		NEW RELEASE	WANG	2013-12-10



SPECIFICATIONS:

Current Rating: 7A AC,DC
Voltage Rating: 600V AC,DC
Temperature Range: -25°C ~ +85°C
Contact Resistance: 20mΩ Max.
Insulation Resistance: 1000MΩ Min.
Withstanding Voltage: 1500V AC/minute
Material: Nylon66 UL 94V-0 (Natural)
PIN Material: Brass/Tin over Nickel

Ordering Information & Dimensions

Circuits	Dimensions(mm)		Circuits	Dimensions(mm)	
	A	B		A	B
3P	7.92	11.88	15P	55.44	59.40
5P	15.84	19.80	17P	63.36	67.32
7P	23.76	27.72	19P	71.28	75.24
9P	31.68	35.64	21P	79.20	83.16
11P	39.60	43.56	23P	87.12	91.08
13P	47.52	51.48			

Ordering Information:
HDGC3969WRA-XP-A - *

- 1
2
- Part No.
 - Type:
(Blank):TYPE 1
H:TYPE 2



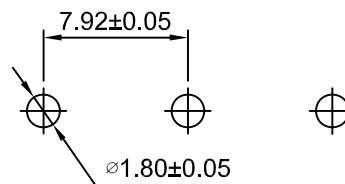
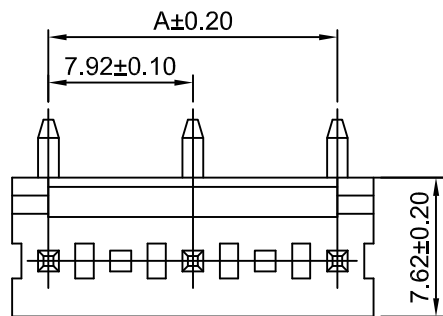
深圳市华德共创科技有限公司

SHENZHEN HUADE CO-CREATE TECHNOLOGY CO.,LTD

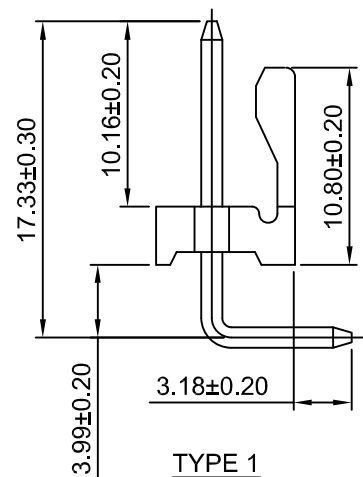
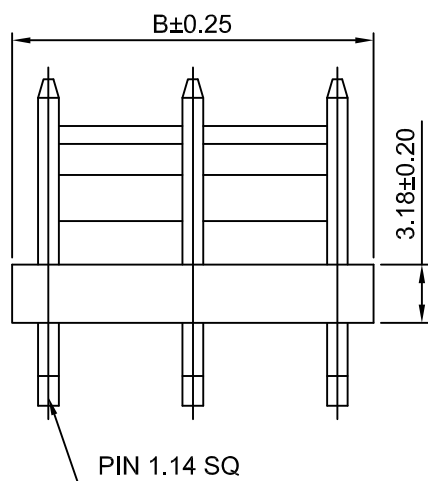
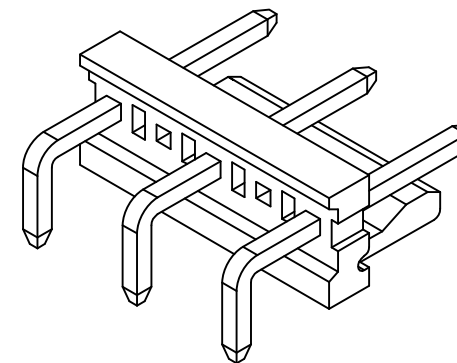
TEL : 0755-27129737 FAX : 0755-29940187

-TOLERANCES- UNLESS OTHERWISE SPECIFIED 公差参数表				TITLE: 产品名称: 3.96mm Pitch 90° Wafer	
X.X	±0.30	X.X°	±3°	APPD: 核准:	XIE
X.XX	±0.30	X.XX°	±2°	CHECK: 校对:	WANG
X.XXX	±0.10	X.XXX°	±1°	DRAW: 绘图:	WANG
PART NO: 产品编号:			HDGC3969WRA-XP-A		
DATE		SCALE	UNIT	CODE NUMBER	
2013-12-10		2.5:1	mm	A008	

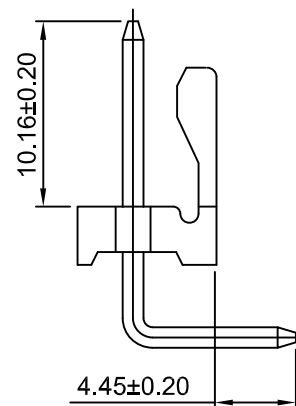
修订 REV	标记 MARK	修改摘要 REVISION DESCRIPTION	签名 SIGNATURE	日期 DATE
AO		NEW RELEASE	WANG	2013-12-10



P.C.B LAYOUT



TYPE 1



TYPE 2

SPECIFICATIONS:

Current Rating: 7A AC,DC
Voltage Rating: 600V AC,DC
Temperature Range: -25°C ~ +85°C
Contact Resistance: 20mΩ Max.
Insulation Resistance: 1000MΩ Min.
Withstanding Voltage: 1500V AC/minute
Material: Nylon66 UL 94V-0 (Natural)
PIN Material: Brass/Tin over Nickel
Ordering Information & Dimensions

Circuits	Dimensions(mm)		Circuits	Dimensions(mm)	
	A	B		A	B
3P	7.92	11.88	15P	55.44	59.40
5P	15.84	19.80	17P	63.36	67.32
7P	23.76	27.72	19P	71.28	75.24
9P	31.68	35.64	21P	79.20	83.16
11P	39.60	43.56	23P	87.12	91.08
13P	47.52	51.48			

Ordering Information:
HDGC3969WR-XP-A - *
1 2
1.Part No.
2.Type:
(Blank):TYPE 1
H:TYPE 2



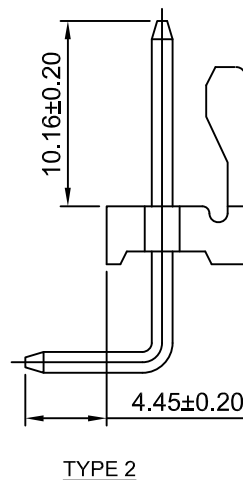
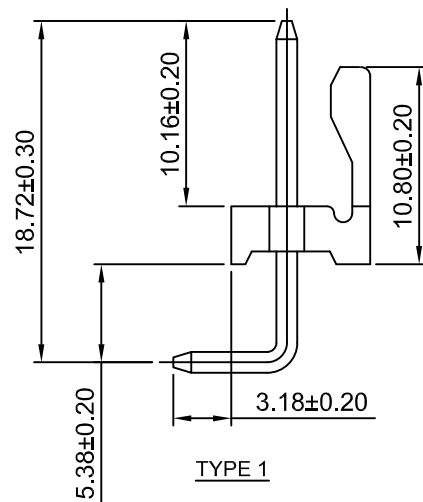
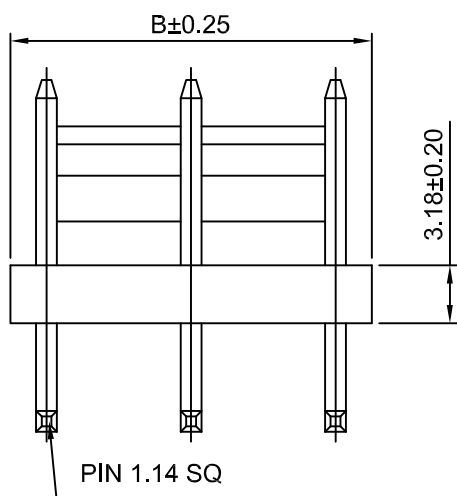
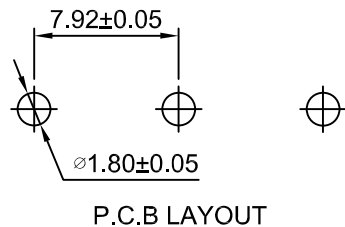
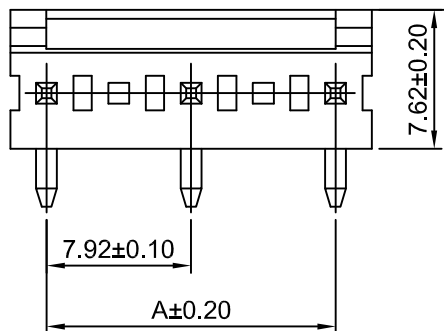
深圳市华德共创科技有限公司

SHENZHEN HUADE CO-CREATE TECHNOLOGY CO.,LTD

TEL : 0755-27129737 FAX : 0755-29940187

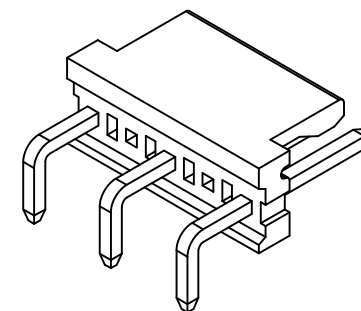
-TOLERANCES- UNLESS OTHERWISE SPECIFIED 公差参数表				TITLE: 产品名称: 3.96mm Pitch 90° Wafer	
X.X	±0.30	X.X°	±3°	APPD: 核准:	XIE
X.XX	±0.30	X.XX°	±2°	CHECK: 校对:	WANG
X.XXX	±0.10	X.XXX°	±1°	DRAW: 绘图:	WANG
PART NO: 产品编号:			HDGC3969WR-XP-2		
DATE	SCALE	UNIT	CODE NUMBER		
2013-12-10	2.5:1	mm	A008		

修订 REV	标记 MARK	修改摘要 REVISION DESCRIPTION	签名 SIGNATURE	日期 DATE
AO		NEW RELEASE	WANG	2013-12-10



Ordering Information:
HDGC3969WR-XP-2-A - *
 1 2

1.Part No.
 2.Type:
 (Blank):TYPE 1
 H:TYPE 2



SPECIFICATIONS:

Current Rating: 7A AC,DC
 Voltage Rating: 600V AC,DC
 Temperature Range: -25°C ~ +85°C
 Contact Resistance: 20mΩ Max.
 Insulation Resistance: 1000MΩ Min.
 Withstanding Voltage: 1500V AC/minute
 Material: Nylon66 UL 94V-0 (Natural)
 PIN Material: Brass/Tin over Nickel

Ordering Information & Dimensions

Circuits	Dimensions(mm)		Circuits	Dimensions(mm)	
	A	B		A	B
3P	7.92	11.88	15P	55.44	59.40
5P	15.84	19.80	17P	63.36	67.32
7P	23.76	27.72	19P	71.28	75.24
9P	31.68	35.64	21P	79.20	83.16
11P	39.60	43.56	23P	87.12	91.08
13P	47.52	51.48			



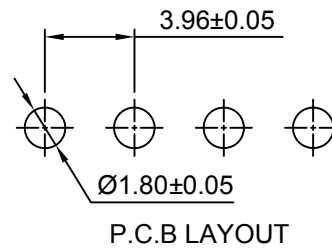
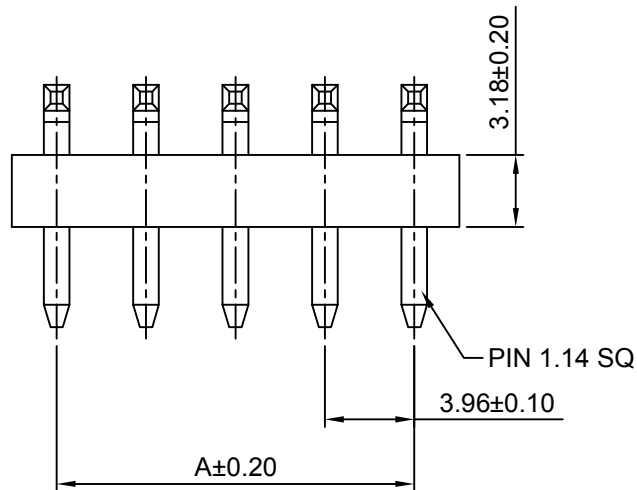
深圳市华德共创科技有限公司

SHENZHEN HUADE CO-CREATE TECHNOLOGY CO.,LTD

TEL : 0755-27129737 FAX : 0755-29940187

-TOLERANCES- UNLESS OTHERWISE SPECIFIED 公差参数表						TITLE: 3.96mm Pitch 产品名称: 90° Wafer			
X.X	±0.30	X.X°	±3°	APPD: 核准:	XIE	PART NO: 产品编号: HDGC3969WR-XP-2-A			
X.XX	±0.30	X.XX°	±2°	CHECK: 校对:	WANG	DATE	SCALE	UNIT	CODE NUMBER
X.XXX	±0.10	X.XXX°	±1°	DRAW: 绘图:	WANG	2013-12-10	2.5:1	mm	A008

修订 REV	标记 MARK	修改摘要 REVISION DESCRIPTION	签名 SIGNATURE	日期 DATE
AO		NEW RELEASE	WANG	2013-12-10

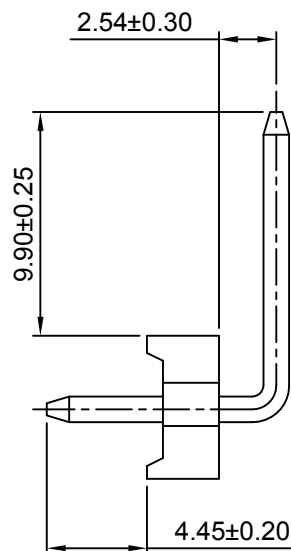
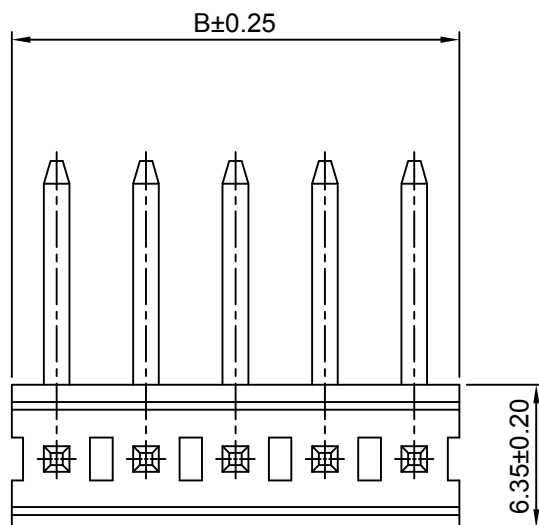


SPECIFICATIONS:
 Current Rating: 7A AC,DC
 Voltage Rating: 250V AC,DC
 Temperature Range: -25°C ~ +85°C
 Contact Resistance: 20mΩ Max.
 Insulation Resistance: 1000MΩ Min.
 Withstanding Voltage: 1500V AC/minute
 Material: Nylon66 UL 94V-0
 PIN Material: Brass/Tin over Nickel(Natural)

Ordering Information & Dimensions

PART NO.	Dimensions		PART NO.	Dimensions	
	A	B		A	B
HDGC3969WRB-2P-H	3.96	7.92	HDGC3969WRB-14P-H	51.48	55.44
HDGC3969WRB-3P-H	7.92	11.88	HDGC3969WRB-15P-H	55.44	59.40
HDGC3969WRB-4P-H	11.88	15.84	HDGC3969WRB-16P-H	59.40	63.36
HDGC3969WRB-5P-H	15.84	19.80	HDGC3969WRB-17P-H	63.36	67.32
HDGC3969WRB-6P-H	19.80	23.76	HDGC3969WRB-18P-H	67.32	71.28
HDGC3969WRB-7P-H	23.76	27.72	HDGC3969WRB-19P-H	71.28	75.24
HDGC3969WRB-8P-H	27.72	31.68	HDGC3969WRB-20P-H	75.24	79.20
HDGC3969WRB-9P-H	31.68	35.64	HDGC3969WRB-21P-H	79.20	83.16
HDGC3969WRB-10P-H	35.64	39.60	HDGC3969WRB-22P-H	83.16	87.12
HDGC3969WRB-11P-H	39.60	43.56	HDGC3969WRB-23P-H	87.12	91.08
HDGC3969WRB-12P-H	43.56	47.52	HDGC3969WRB-24P-H	91.08	95.04
HDGC3969WRB-13P-H	47.52	51.48			

Unit: mm

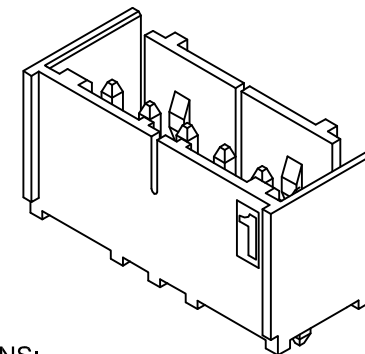
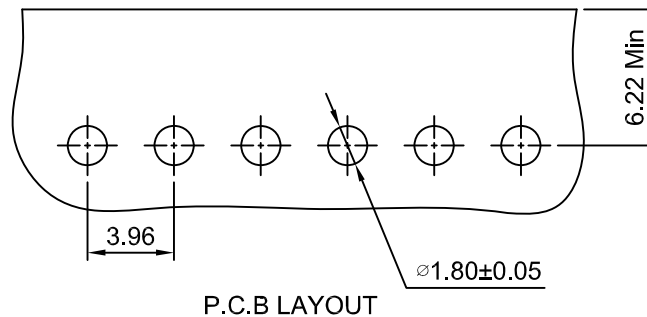
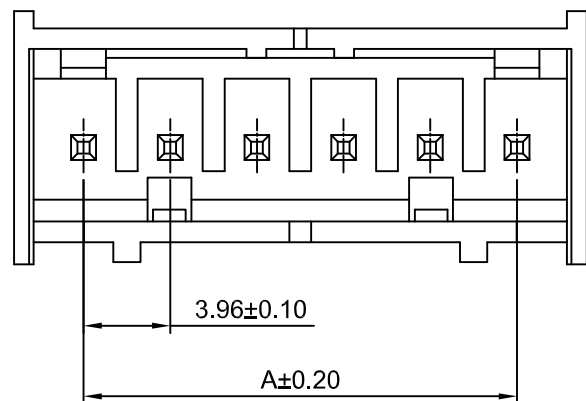




深圳市华德共创科技有限公司
 SHENZHEN HUADE CO-CREATE TECHNOLOGY CO.,LTD
 TEL : 0755-27129737 FAX : 0755-29940187

-TOLERANCES- UNLESS OTHERWISE SPECIFIED 公差参数表				 	TITLE: 3.96mm Pitch 产品名称: 90° Wafer			
X.X	±0.30	X.X°	±3°	APPD: 核准:	XIE			
X.XX	±0.30	X.XX°	±2°	CHECK: 校对:	WANG			
X.XXX	±0.10	X.XXX°	±1°	DRAW: 绘图:	WANG			
PART NO: 产品编号:					HDGC3969WRB-XP-H			
DATE		SCALE	UNIT	CODE NUMBER				
2013-12-10		1:1	mm	A008				

修订 REV	标记 MARK	修改摘要 REVISION DESCRIPTION	签名 SIGNATURE	日期 DATE
AO		NEW RELEASE	WANG	2016-08-10

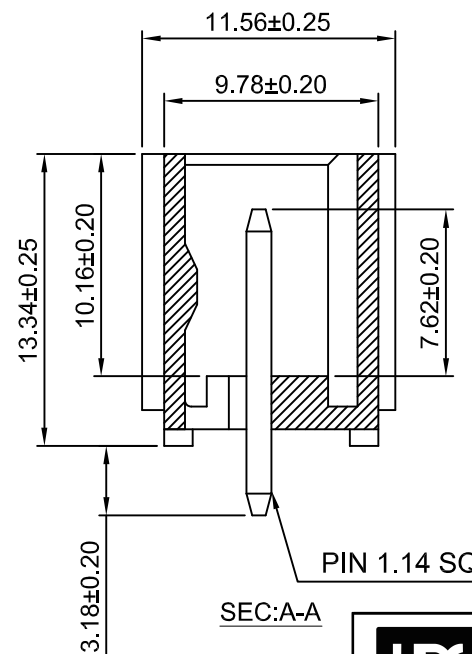
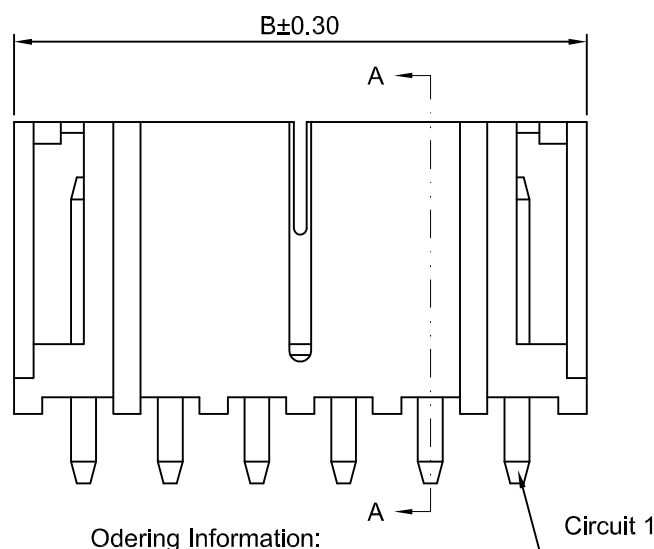


SPECIFICATIONS:

Current Rating: 7A AC,DC
Voltage Rating: 600V AC,DC
Temperature Range: -25°C ~ +85°C
Contact Resistance: 20mΩ Max.
Insulation Resistance: 1000MΩ Min.
Withstanding Voltage: 1500V AC/minute
PIN Material: Brass/Tin over Nickel
Material: PBT, UL94V-0(Black)

Ordering Information & Dimensions

Circuits	Dimensions(mm)		Circuits	Dimensions(mm)	
	A	B		A	B
2P	3.96	10.31	8P	27.72	34.07
3P	7.92	14.27	9P	31.68	38.03
4P	11.88	18.23	10P	35.64	41.99
5P	15.84	22.19	11P	39.60	45.95
6P	19.80	26.15	12P	43.56	49.91
7P	23.76	30.11			



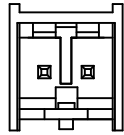
Ordering Information:
HDGC3969WVD-XP - *
1 2

- Part No.
- Finish:
(blank) - Tin over Nickel
G - Gold over Nickel

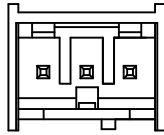
HDGC 深圳市华德共创科技有限公司
SHENZHEN HUADE CO-CREATE TECHNOLOGY CO.,LTD
TEL : 0755-27129737 FAX : 0755-29940187

-TOLERANCES- UNLESS OTHERWISE SPECIFIED 公差参数表						TITLE: 3.96mm Pitch 产品名称: 180° Wafer			
X.X	±0.30	X.X°	±3°	APPD: 核准:	XIE	PART NO: 产品编号: HDGC3969WVD-XP			
X.XX	±0.30	X.XX°	±2°	CHECK: 校对:	WANG	DATE	SCALE	UNIT	CODE NUMBER
X.XXX	±0.10	X.XXX°	±1°	DRAW: 绘图:	WANG	2016-08-10	3:1	mm	A008

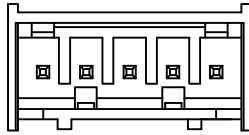
修订 REV	标记 MARK	修改摘要 REVISION DESCRIPTION	签名 SIGNATURE	日期 DATE
AO		NEW RELEASE	WANG	2016-08-10



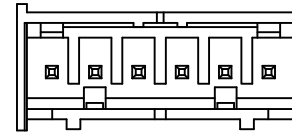
2P



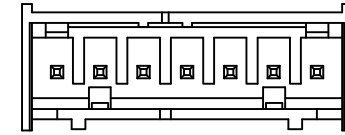
3P



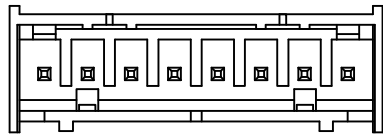
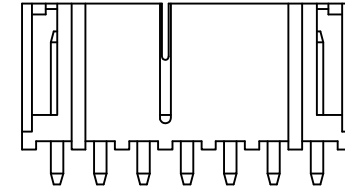
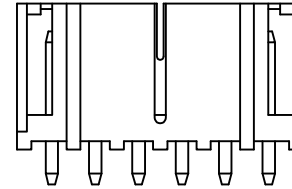
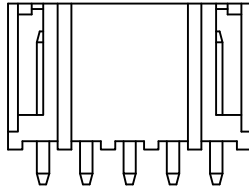
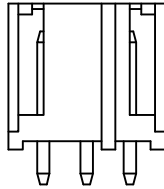
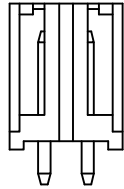
4P~5P



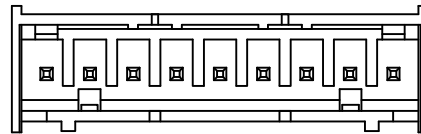
6P



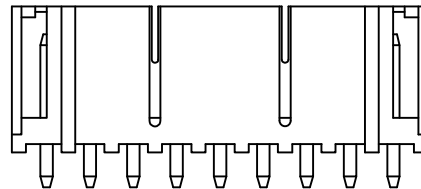
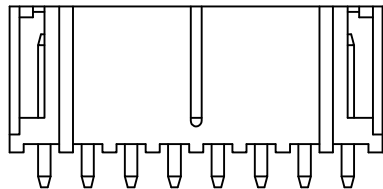
7P



8P

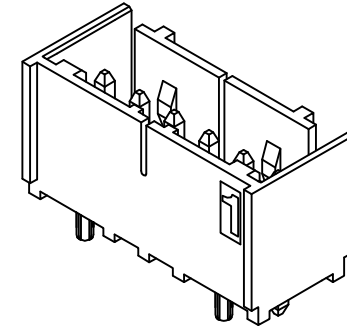
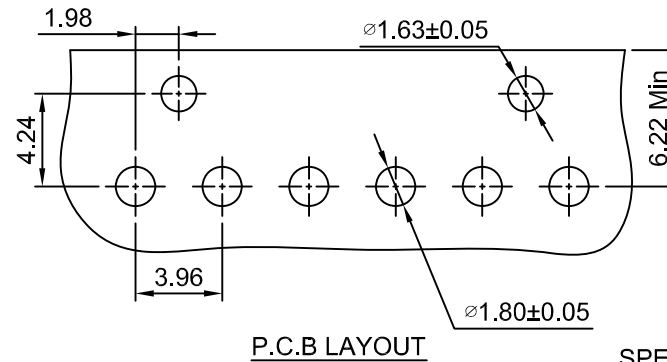
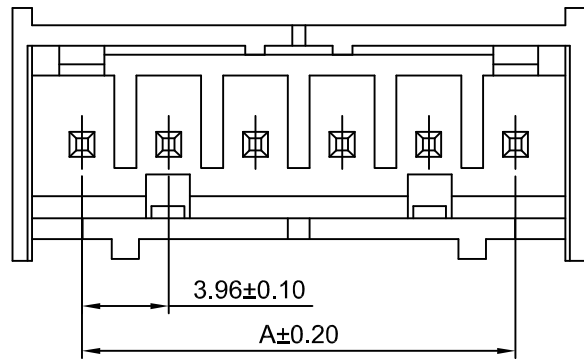


9P~12P



 深圳市华德共创科技有限公司 SHENZHEN HUADE CO-CREATE TECHNOLOGY CO.,LTD TEL : 0755-27129737 FAX : 0755-29940187				TITLE: 3.96mm Pitch 产品名称: 180° Wafer					
-TOLERANCES- UNLESS OTHERWISE SPECIFIED 公差参数表				 		PART NO: 产品编号: HDGC3969WVD-XP			
X.X	±0.30	X.X°	±3°	APPD: 核准:	XIE	DATE	SCALE	UNIT	CODE NUMBER
X.XX	±0.30	X.XX°	±2°	CHECK: 校对:	WANG	2016-08-10	3:1	mm	A008
X.XXX	±0.10	X.XXX°	±1°	DRAW: 绘图:	WANG				

修订 REV	标记 MARK	修改摘要 REVISION DESCRIPTION	签名 SIGNATURE	日期 DATE
AO		NEW RELEASE	WANG	2016-08-10

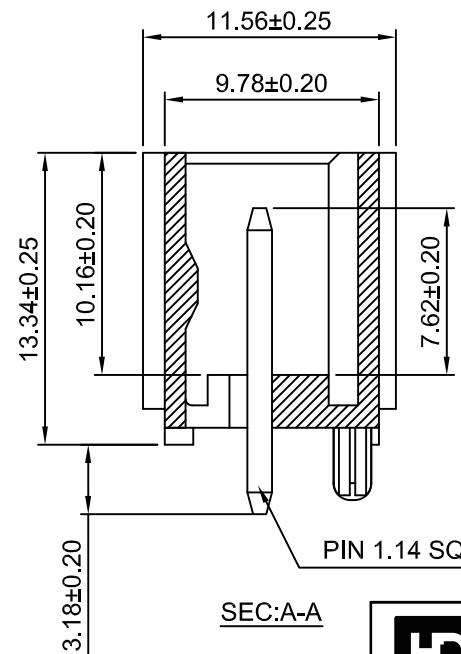
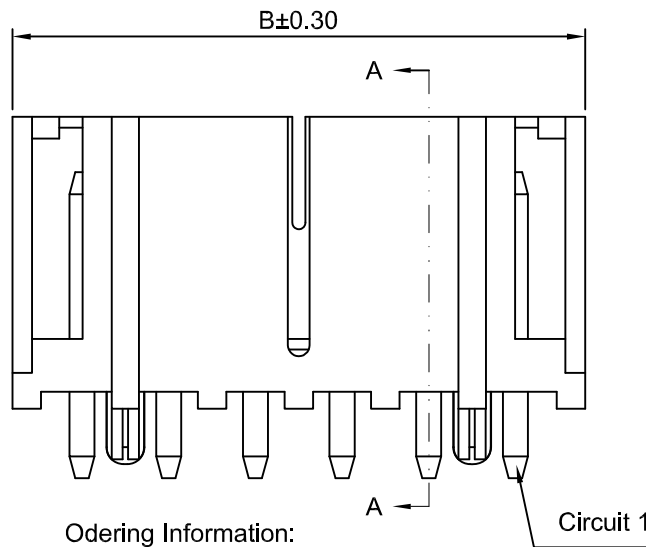


SPECIFICATIONS:

Current Rating: 7A AC,DC
Voltage Rating: 600V AC,DC
Temperature Range: -25°C ~ +85°C
Contact Resistance: 20mΩ Max.
Insulation Resistance: 1000MΩ Min.
Withstanding Voltage: 1500V AC/minute
PIN Material: Brass/Tin over Nickel
Material: PBT, UL94V-0(Black)

Ordering Information & Dimensions

Circuits	Dimensions(mm)		Circuits	Dimensions(mm)	
	A	B		A	B
2P	3.96	10.31	8P	27.72	34.07
3P	7.92	14.27	9P	31.68	38.03
4P	11.88	18.23	10P	35.64	41.99
5P	15.84	22.19	11P	39.60	45.95
6P	19.80	26.15	12P	43.56	49.91
7P	23.76	30.11			

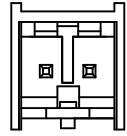


Ordering Information:
HDGC3969WVD-F-XP - *
1 2

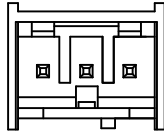
- Part No.
- Finish:
(blank) - Tin over Nickel
G - Gold over Nickel

深圳市华德共创科技有限公司 SHENZHEN HUADE CO-CREATE TECHNOLOGY CO.,LTD TEL : 0755-27129737 FAX : 0755-29940187					
-TOLERANCES- UNLESS OTHERWISE SPECIFIED 公差参数表				TITLE: 3.96mm Pitch 产品名称: 180° Wafer	
X.X	±0.30	X.X°	±3°	APPD: 核准:	XIE
X.XX	±0.30	X.XX°	±2°	CHECK: 校对:	WANG
X.XXX	±0.10	X.XXX°	±1°	DRAW: 绘图:	WANG
PART NO: 产品编号:				HDGC3969WVD-F-XP	
DATE		SCALE	UNIT	CODE NUMBER	
2016-08-10		3:1	mm	A008	

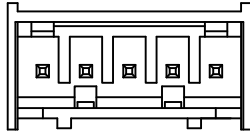
修订 REV	标记 MARK	修改摘要 REVISION DESCRIPTION	签名 SIGNATURE	日期 DATE
AO		NEW RELEASE	WANG	2016-08-10



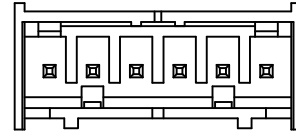
2P



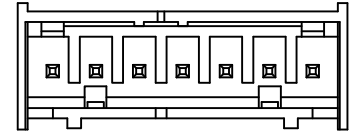
3P



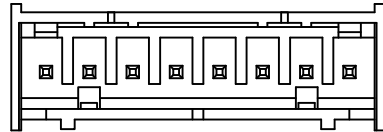
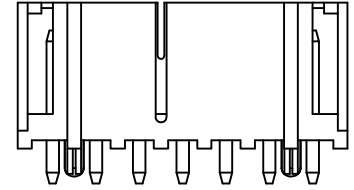
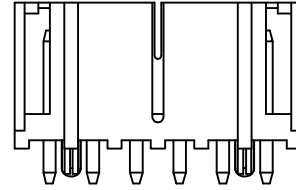
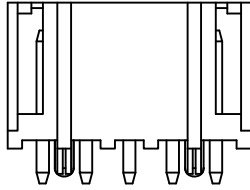
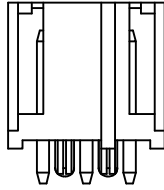
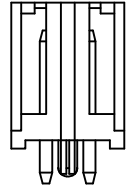
4P~5P



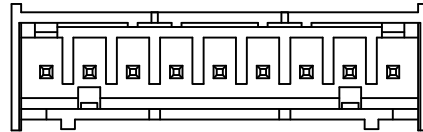
6P



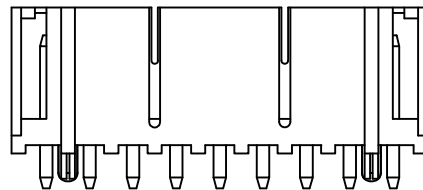
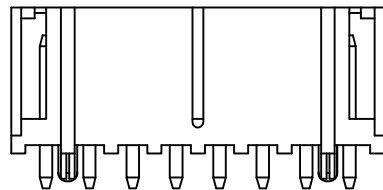
7P


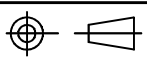


8P

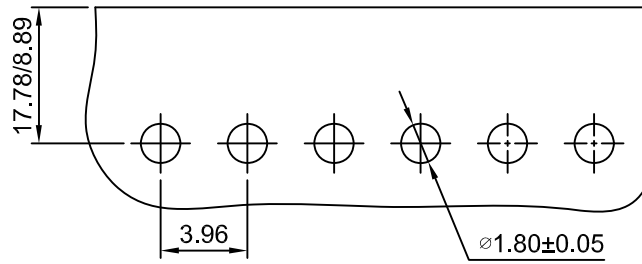
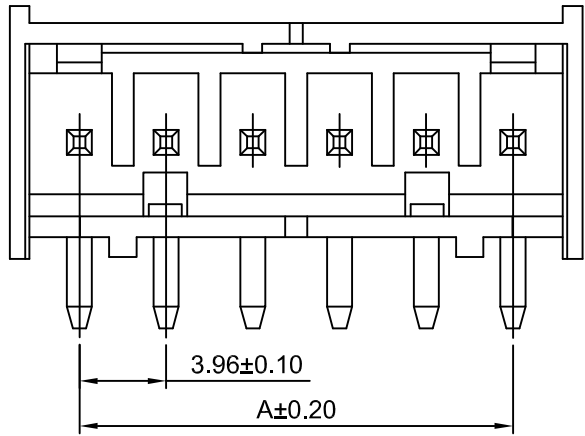


9P~12P

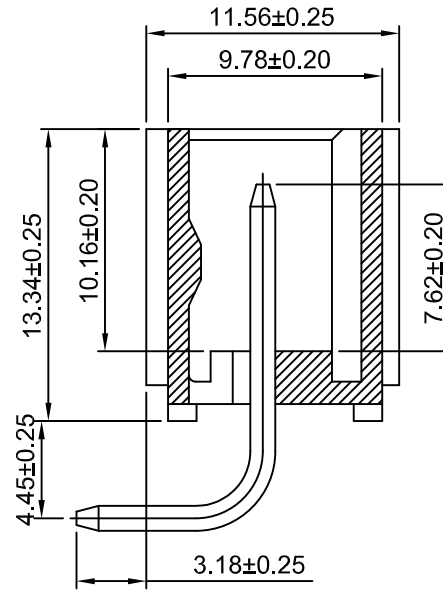
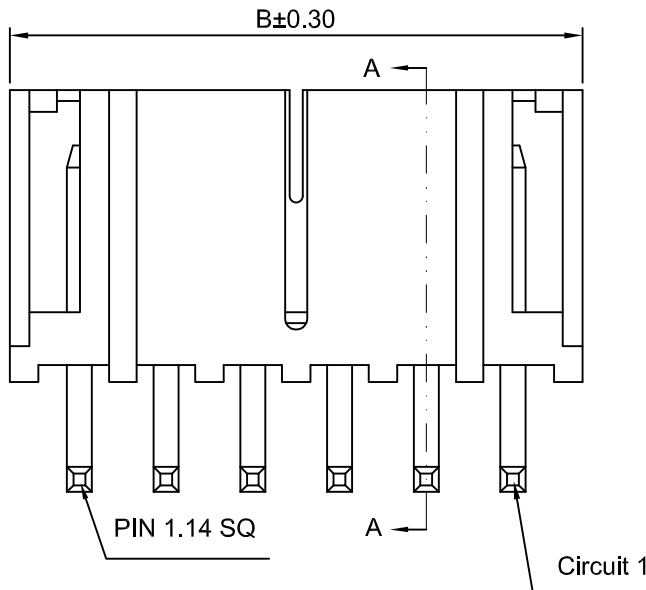
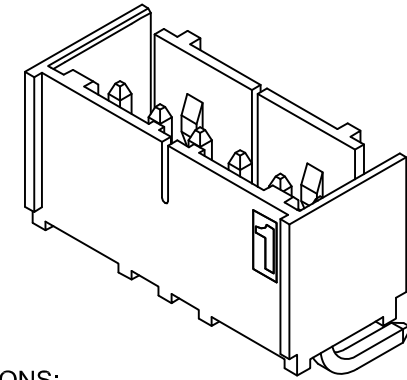


		深圳市华德共创科技有限公司 SHENZHEN HUADE CO-CREATE TECHNOLOGY CO.,LTD TEL : 0755-27129737 FAX : 0755-29940187						
-TOLERANCES- UNLESS OTHERWISE SPECIFIED 公差参数表					TITLE: 3.96mm Pitch 产品名称: 180° Wafer			
X.X	±0.30	X.X°	±3°	APPD: 核准:	PART NO: 产品编号: HDGC3969WVD-F-XP			
X.XX	±0.30	X.XX°	±2°	CHECK: 校对:	DATE	SCALE	UNIT	CODE NUMBER
X.XXX	±0.10	X.XXX°	±1°	DRAW: 绘图:	2016-08-10	3:1	mm	A008

修订 REV	标记 MARK	修改摘要 REVISION DESCRIPTION	签名 SIGNATURE	日期 DATE
AO		NEW RELEASE	WANG	2016-08-10



P.C.B LAYOUT



SEC:A-A

SPECIFICATIONS:

Current Rating: 7A AC,DC
Voltage Rating: 600V AC,DC
Temperature Range: -25°C ~ +85°C
Contact Resistance: 20mΩ Max.
Insulation Resistance: 1000MΩ Min.
Withstanding Voltage: 1500V AC/minute
PIN Material: Brass/Tin over Nickel
Material: PBT, UL94V-0(Black)

Ordering Information & Dimensions

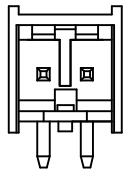
Circuits	Dimensions(mm)		Circuits	Dimensions(mm)	
	A	B		A	B
2P	3.96	10.31	8P	27.72	34.07
3P	7.92	14.27	9P	31.68	38.03
4P	11.88	18.23	10P	35.64	41.99
5P	15.84	22.19	11P	39.60	45.95
6P	19.80	26.15	12P	43.56	49.91
7P	23.76	30.11			

Ordering Information:
HDGC3969WRD-XP - *
1 2

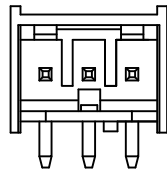
- Part No.
- Finish:
(blank) - Tin over Nickel
G - Gold over Nickel

		深圳市华德共创科技有限公司 SHENZHEN HUADE CO-CREATE TECHNOLOGY CO.,LTD TEL : 0755-27129737 FAX : 0755-29940187			
-TOLERANCES- UNLESS OTHERWISE SPECIFIED 公差参数表				TITLE: 3.96mm Pitch 产品名称: 90° Wafer	
X.X	±0.30	X.X°	±3°	APPD: 核准:	XIE
X.XX	±0.30	X.XX°	±2°	CHECK: 校对:	WANG
X.XXX	±0.10	X.XXX°	±1°	DRAW: 绘图:	WANG
PART NO: 产品编号:		HDGC3969WRD-XP			
DATE	SCALE	UNIT	CODE NUMBER		
2016-08-10	3:1	mm	A008		

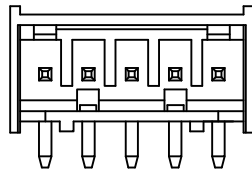
修订 REV	标记 MARK	修改摘要 REVISION DESCRIPTION	签名 SIGNATURE	日期 DATE
AO		NEW RELEASE	WANG	2016-08-10



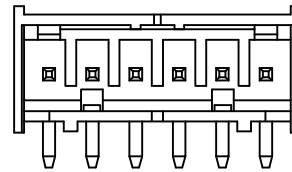
2P



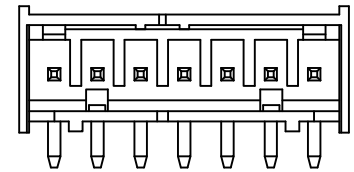
3P



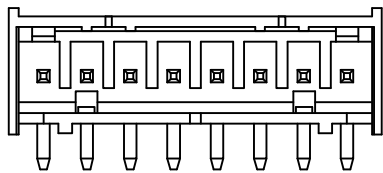
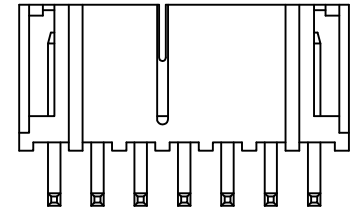
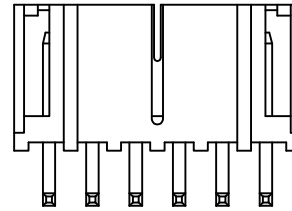
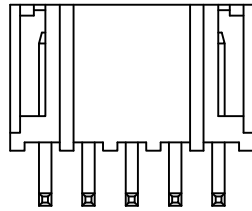
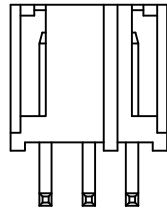
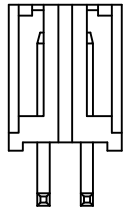
4P~5P



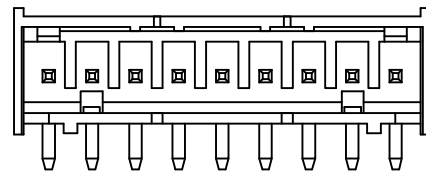
6P



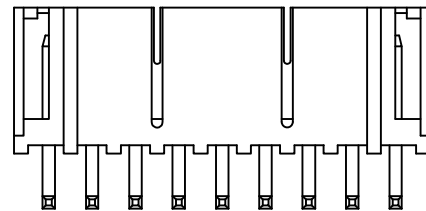
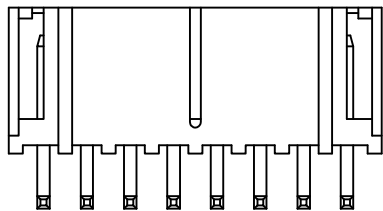
7P



8P



9P~12P



深圳市华德共创科技有限公司
 SHENZHEN HUADE CO-CREATE TECHNOLOGY CO.,LTD
 TEL : 0755-27129737 FAX : 0755-29940187

-TOLERANCES- UNLESS OTHERWISE SPECIFIED 公差参数表					TITLE: 3.96mm Pitch 产品名称: 90° Wafer					
X.X	±0.30	X.X°	±3°	APPD: 核准:	XIE		PART NO: 产品编号: HDGC3969WRD-XP			
X.XX	±0.30	X.XX°	±2°	CHECK: 校对:	WANG		DATE	SCALE	UNIT	CODE NUMBER
X.XXX	±0.10	X.XXX°	±1°	DRAW: 绘图:	WANG		2016-08-10	3:1	mm	A008