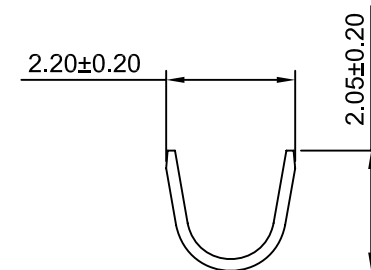
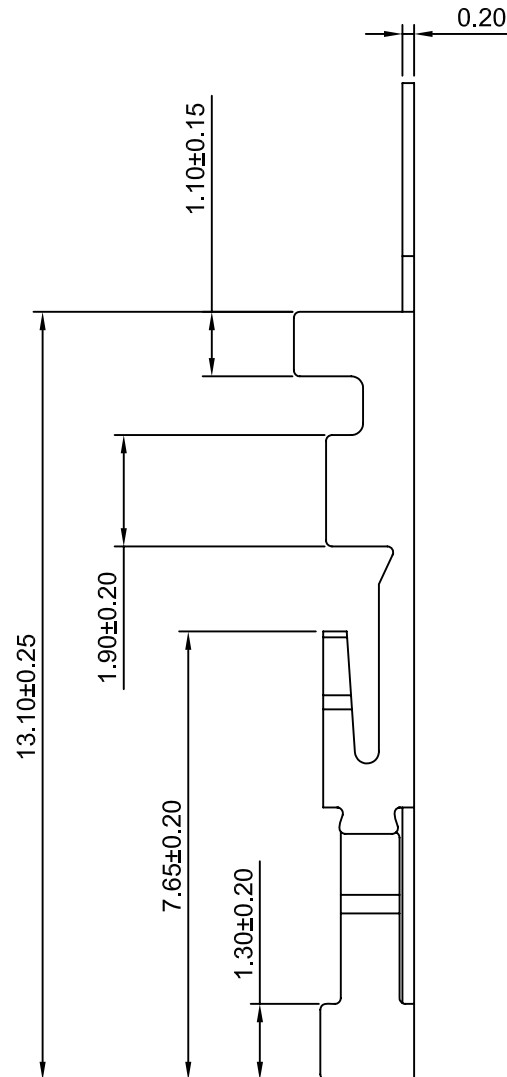
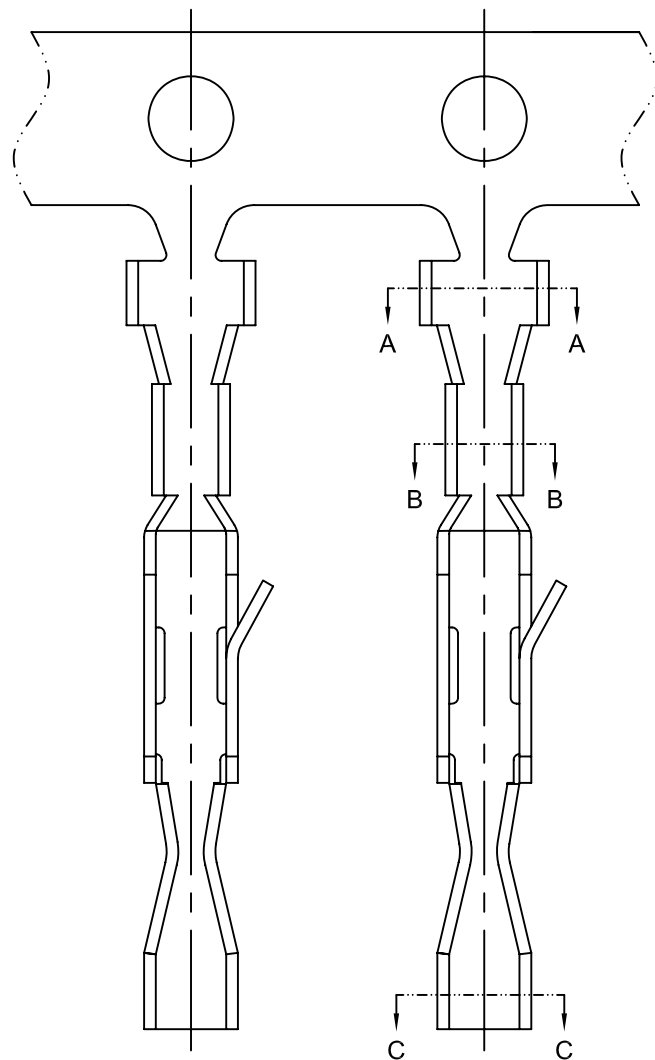
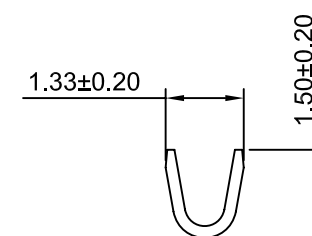


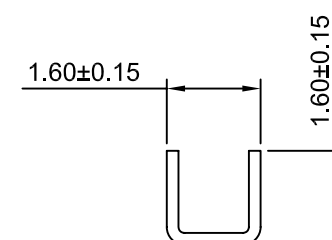
修订 REV	标记 MARK	修改摘要 REVISION DESCRIPTION	签名 SIGNATURE	日期 DATE
AO		NEW RELEASE	WANG	2012-12-10



SEC:A-A



SEC:B-B



SEC:C-C

Ordering information & Specifications

Unit:mm

Part No	Wire Range	Insultion O.D.	Material	Finish	Qty/reel
HDGC2549-TP-A	AWG#22-#26	1.55mm(max)	Phosphor Bronze	Tin over Nickel	20,000 PCS
HDGC2549-GP-A	AWG#22-#26	1.55mm(max)	Phosphor Bronze	Gold over Nickel	20,000 PCS

Optional Gold plating available but MOQ requested

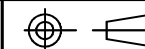


深圳市华德共创科技有限公司

Shenzhen Huade co-create Technology Co.,LTD

TEL : 0755-27129737 FAX : 0755-29940187

-TOLERANCES-
UNLESS OTHERWISE SPECIFIED
公差参数表



TITLE: 2.54mm Pitch
产品名称: Crimp Terminal

X.X ±0.30 X.X° ±3°

APPD: 核准: XIE

PART NO: HDGC2549-T-A
产品编号:

X.XX ±0.30 X.XX° ±2°

CHECK: 校对: WANG

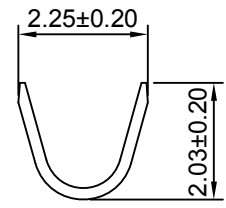
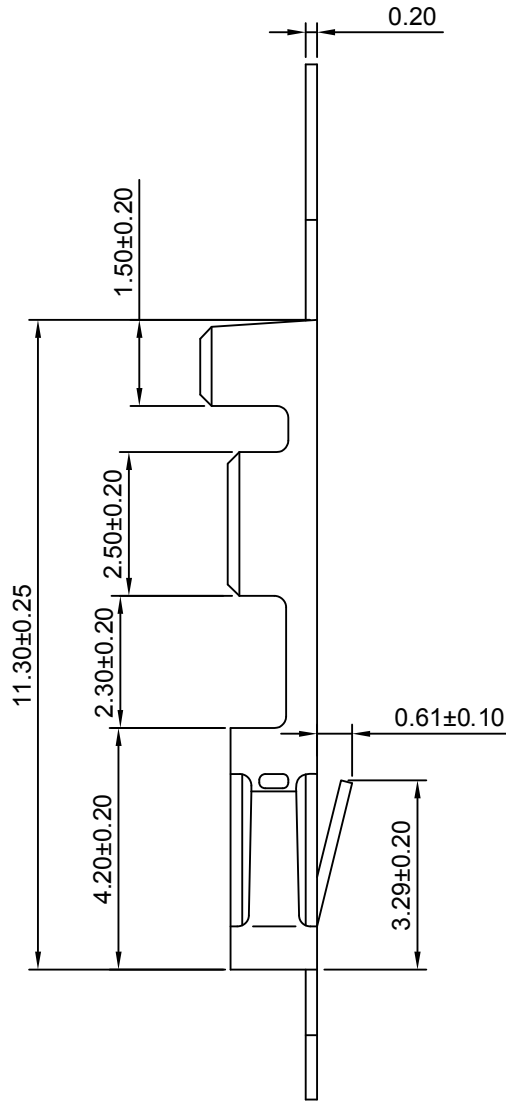
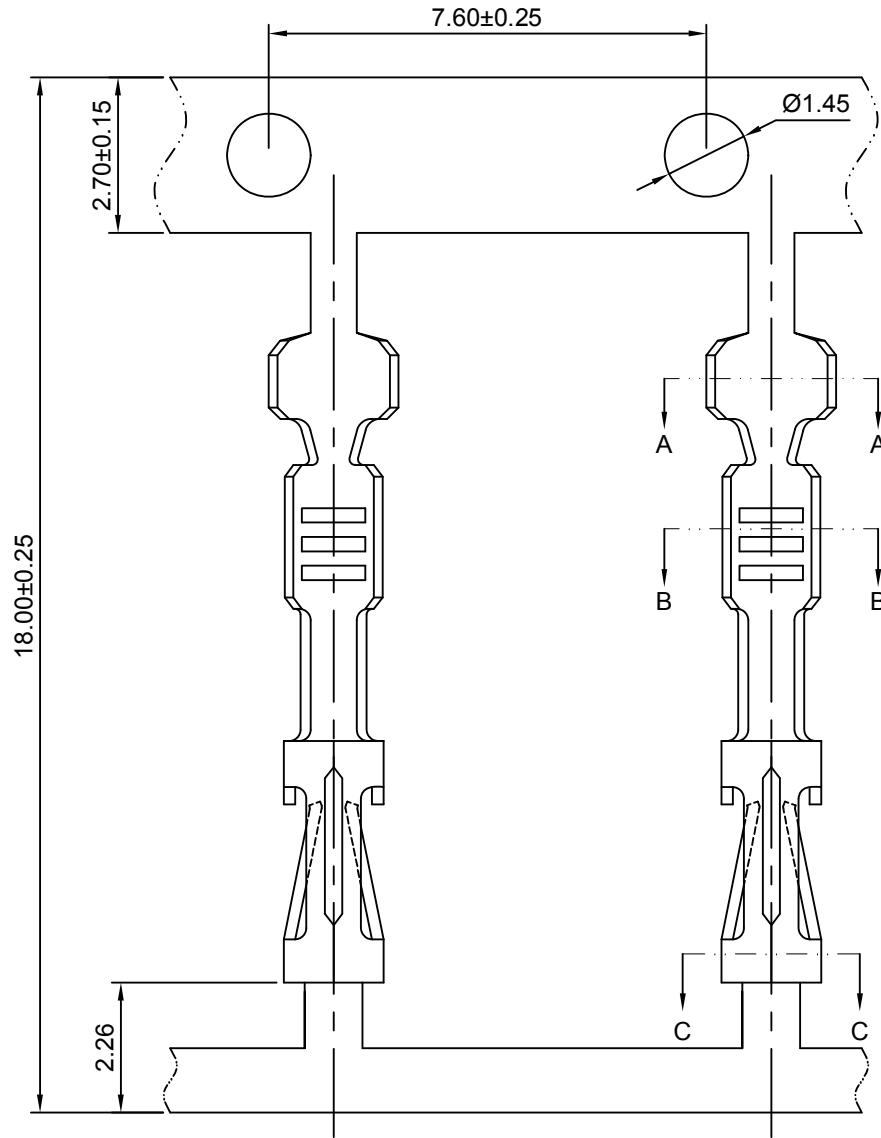
DATE SCALE UNIT CODE NUMBER

X.XXX ±0.10 X.XXX° ±1°

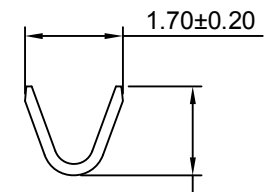
DRAW: 绘图: WANG

2012-12-10 8:1 mm A008

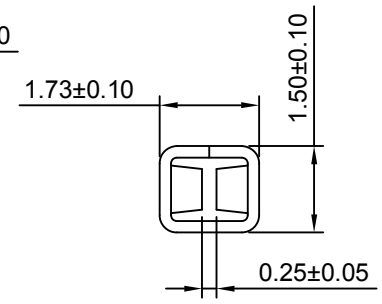
修订 REV	标记 MARK	修改摘要 REVISION DESCRIPTION	签名 SIGNATURE	日期 DATE
AO		NEW RELEASE	WANG	2012-12-10



SEC:A-A



SEC:B-B



SEC:C-C

Ordering information & Specifications

Part No	Wire Range	Insulation O.D.	Material	Finish	Qty/reel
HDGC2549-TP-C	AWG#22-#26	1.50mm(max)	Phosphor Bronze	Tin over Nickel	8,000 PCS
HDGC2549-GP-C	AWG#22-#26	1.50mm(max)	Phosphor Bronze	Gold over Nickel	8,000 PCS

Optional Gold plating available but MOQ requested

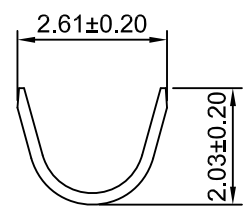
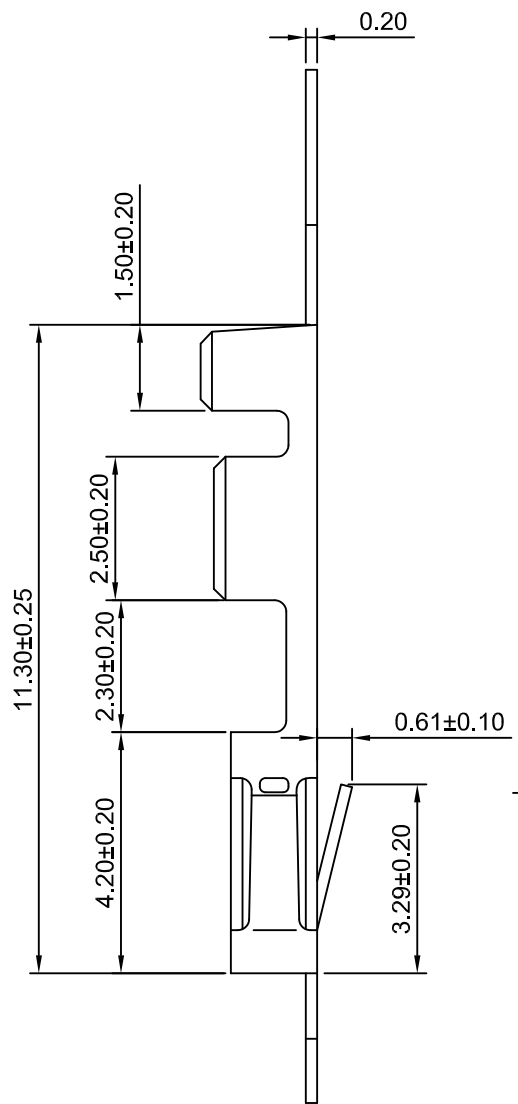
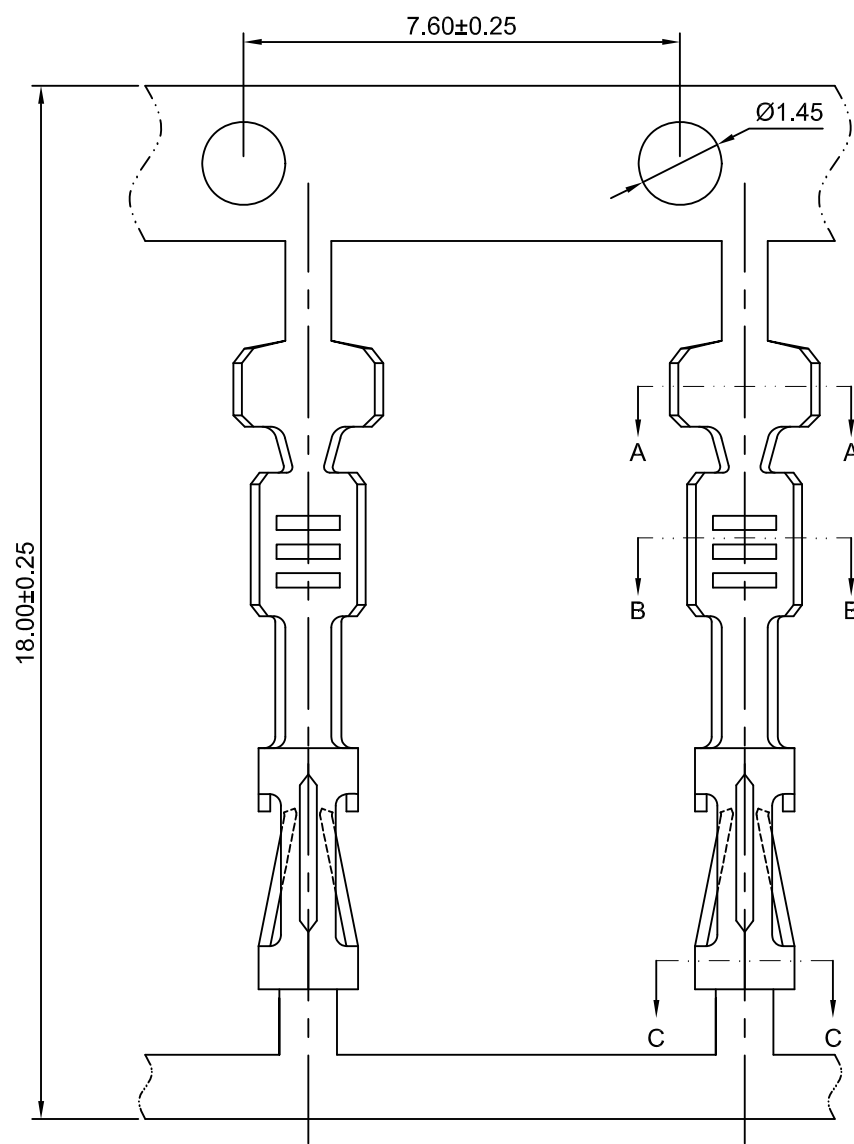


深圳市华德共创科技有限公司

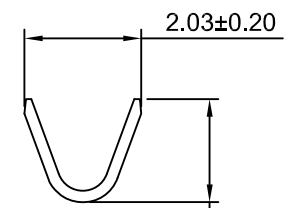
Shenzhen Huade co-create Technology Co.,LTD
TEL : 0755-27129737 FAX : 0755-29940187

-TOLERANCES- UNLESS OTHERWISE SPECIFIED 公差参数表					TITLE: 2.54mm Pitch 产品名称: Crimp Terminal			
X.X	±0.30	X.X°	±3°	APPD: 核准:	XIE			
X.XX	±0.30	X.XX°	±2°	CHECK: 校对:	WANG			
X.XXX	±0.10	X.XXX°	±1°	DRAW: 绘图:	WANG			
PART NO: 产品编号:					HDGC2549-T-C			
		DATE	SCALE	UNIT	CODE NUMBER			
		2012-12-10	8:1	mm	A008			

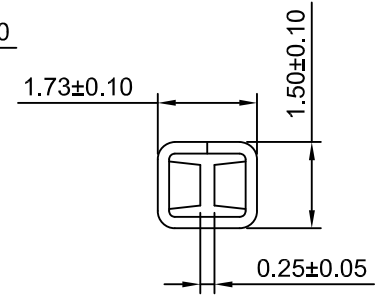
修订 REV	标记 MARK	修改摘要 REVISION DESCRIPTION	签名 SIGNATURE	日期 DATE
AO		NEW RELEASE	WANG	2012-12-10



SEC:A-A



SEC:B-B



SEC:C-C

Ordering information & Specifications

Part No	Wire Range	Insultion O.D.	Material	Finish	Qty/reel
HDGC2549-TP-C-H	AWG#20-#24	1.90mm(max)	Phosphor Bronze	Tin over Nickel	8,000 PCS
HDGC2549-GP-C-H	AWG#20-#24	1.90mm(max)	Phosphor Bronze	Gold over Nickel	8,000 PCS

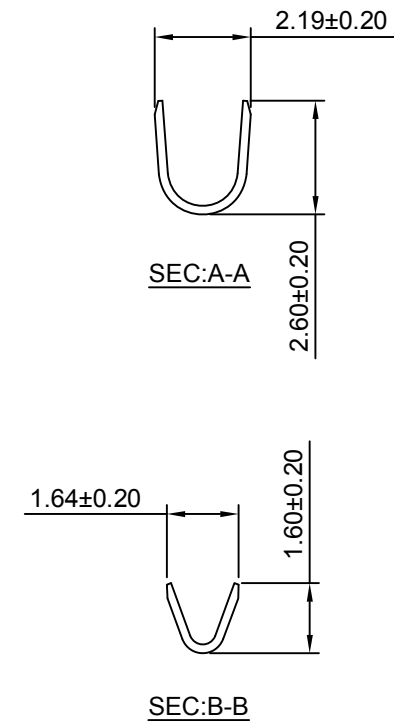
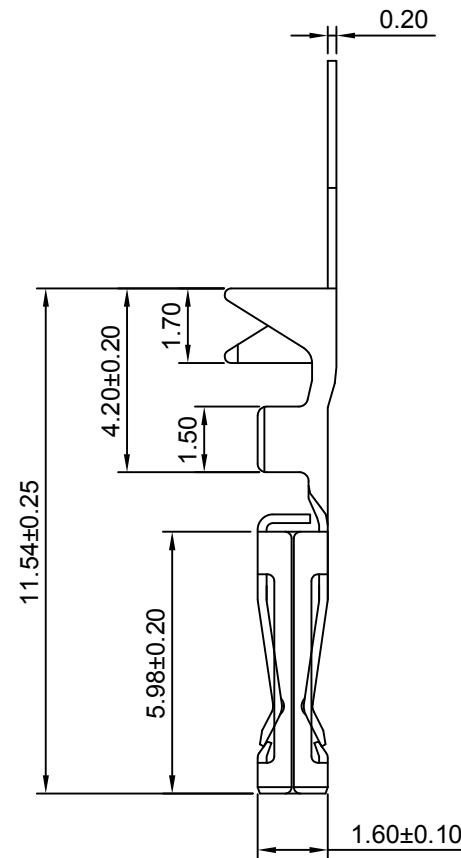
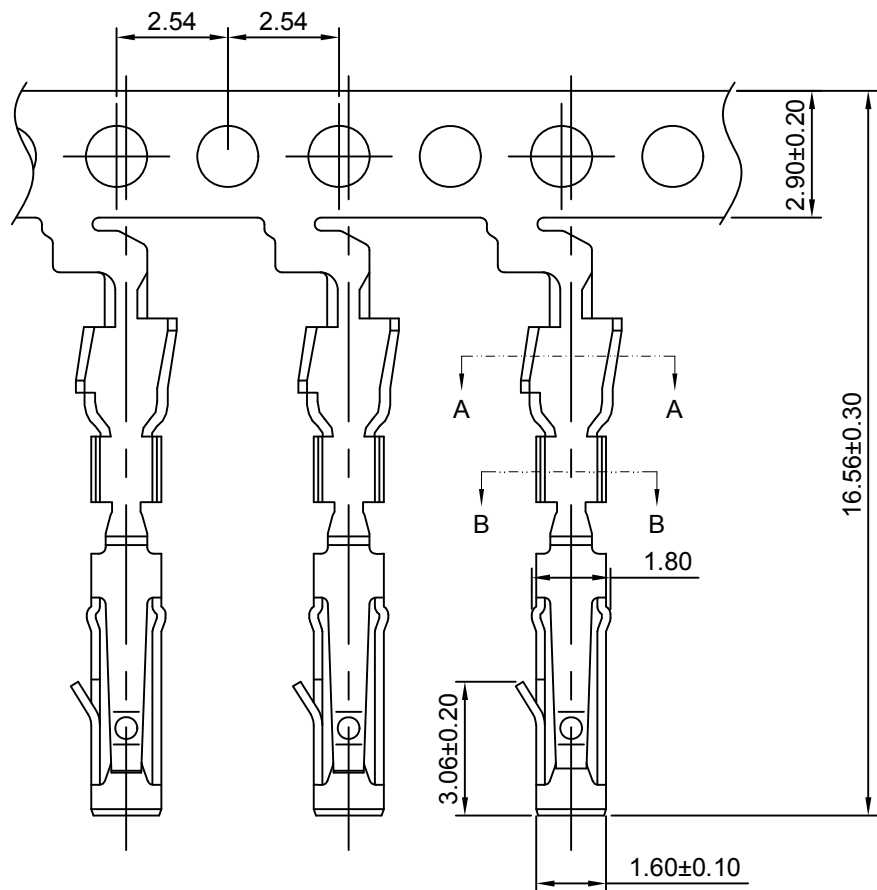
Unit:mm

Optional Gold plating available but MOQ requested

HDGC 深圳市华德共创科技有限公司
 Shenzhen Huade co-create Technology Co.,LTD
 TEL : 0755-27129737 FAX : 0755-29940187

-TOLERANCES- UNLESS OTHERWISE SPECIFIED 公差参数表				TITLE: 产品名称: 2.54mm Pitch Crimp Terminal	
X.X	±0.30	X.X°	±3°	APPD: 核准:	XIE
X.XX	±0.30	X.XX°	±2°	CHECK: 校对:	WANG
X.XXX	±0.10	X.XXX°	±1°	DRAW: 绘图:	WANG
PART NO: 产品编号:		DATE		SCALE	UNIT
HDGC2549-T-C-H		2012-12-10		6:1	mm
				CODE NUMBER	A008

修订 REV	标记 MARK	修改摘要 REVISION DESCRIPTION	签名 SIGNATURE	日期 DATE
AO		NEW RELEASE	WANG	2012-12-10



Ordering information & Specifications

Unit:mm

Part No	Wire Range	Insultion O.D.	Material	Finish	Qty/reel
HDGC2549-TP-K	AWG#22-#30	1.50mm(max)	Phosphor Bronze	Tin over Nickel	20,000 PCS
HDGC2549-GP-K	AWG#22-#30	1.50mm(max)	Phosphor Bronze	Gold over Nickel	20,000 PCS

Optional Gold plating available but MOQ requested



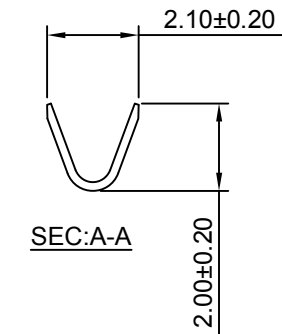
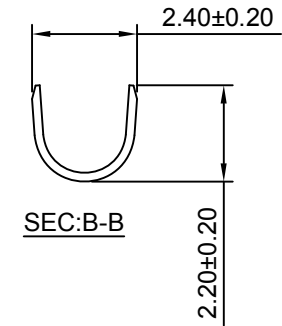
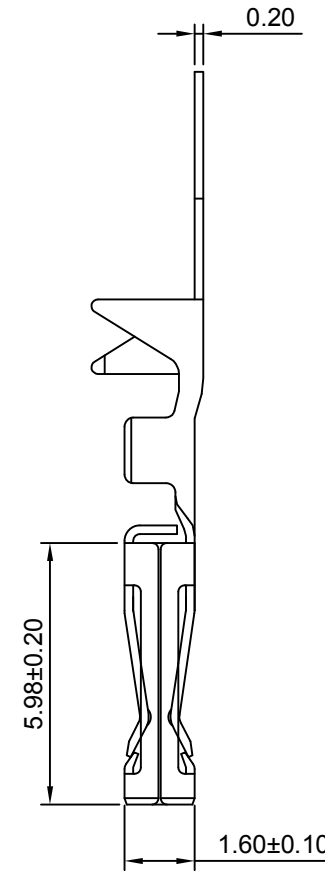
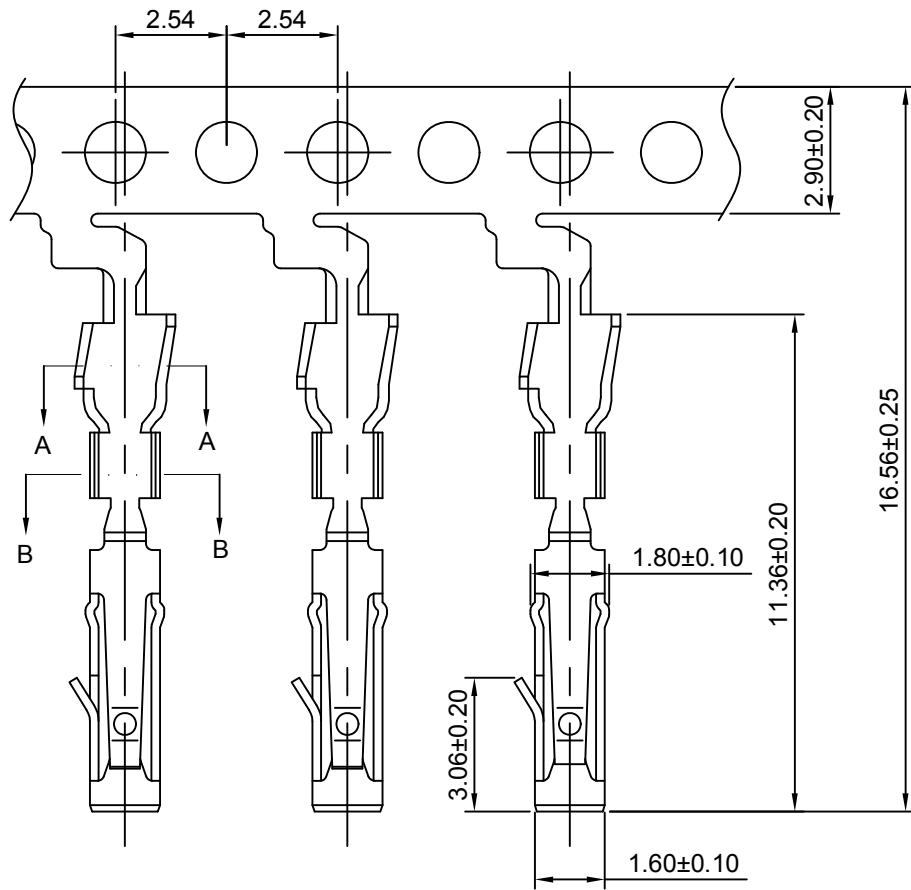
深圳市华德共创科技有限公司

Shenzhen Huade co-create Technology Co.,LTD

TEL : 0755-27129737 FAX : 0755-29940187

-TOLERANCES- UNLESS OTHERWISE SPECIFIED 公差参数表						TITLE: 2.54mm Pitch 产品名称: Crimp Terminal			
X.X	±0.30	X.X°	±3°	APPD: 核准:	XIE	PART NO: 产品编号: HDGC2549-T-K			
X.XX	±0.30	X.XX°	±2°	CHECK: 校对:	WANG	DATE	SCALE	UNIT	CODE NUMBER
X.XXX	±0.10	X.XXX°	±1°	DRAW: 绘图:	WANG	2012-12-10	6:1	mm	A008

修订 REV	标记 MARK	修改摘要 REVISION DESCRIPTION	签名 SIGNATURE	日期 DATE
AO		NEW RELEASE	WANG	2012-12-10



Ordering information & Specifications

Unit:mm

Part No	Wire Range	Insultion O.D.	Material	Finish	Qty/reel
HDGC2549-TP-K-H	AWG#20-#22	1.60mm(max)	Phosphor Bronze	Tin over Nickel	20,000 PCS
HDGC2549-GP-K-H	AWG#20-#22	1.60mm(max)	Phosphor Bronze	Gold over Nickel	20,000 PCS

Optional Gold plating available but MOQ requested



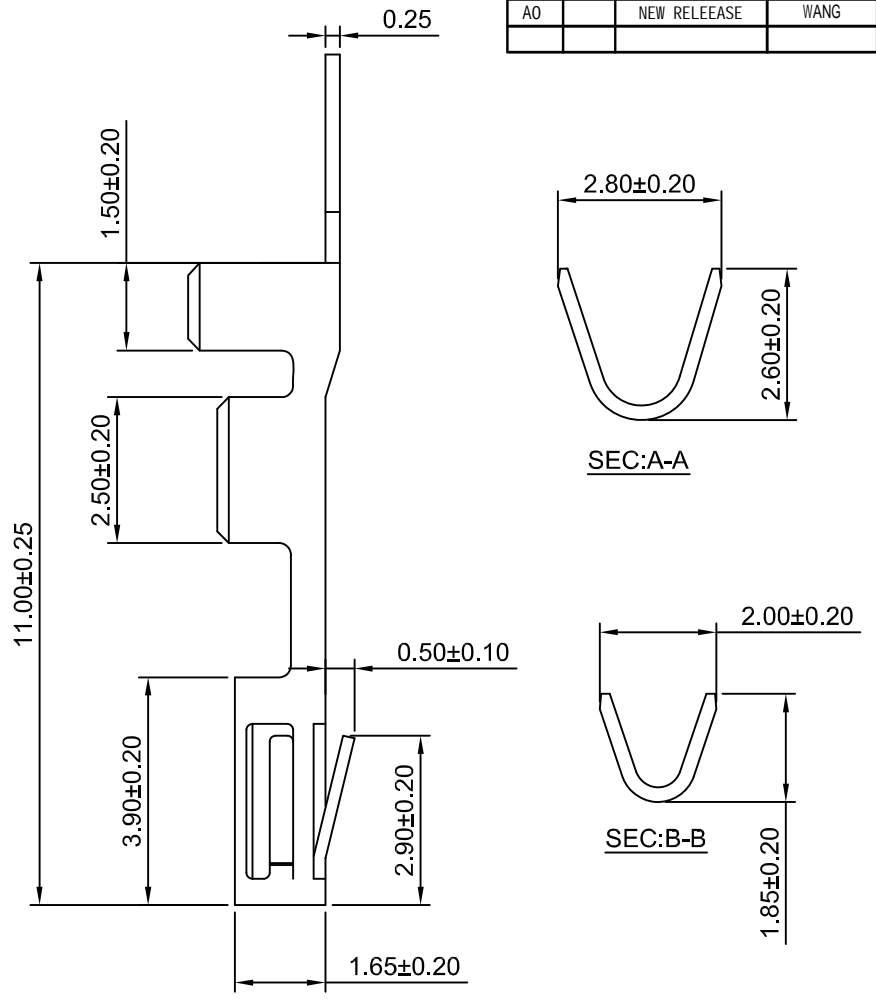
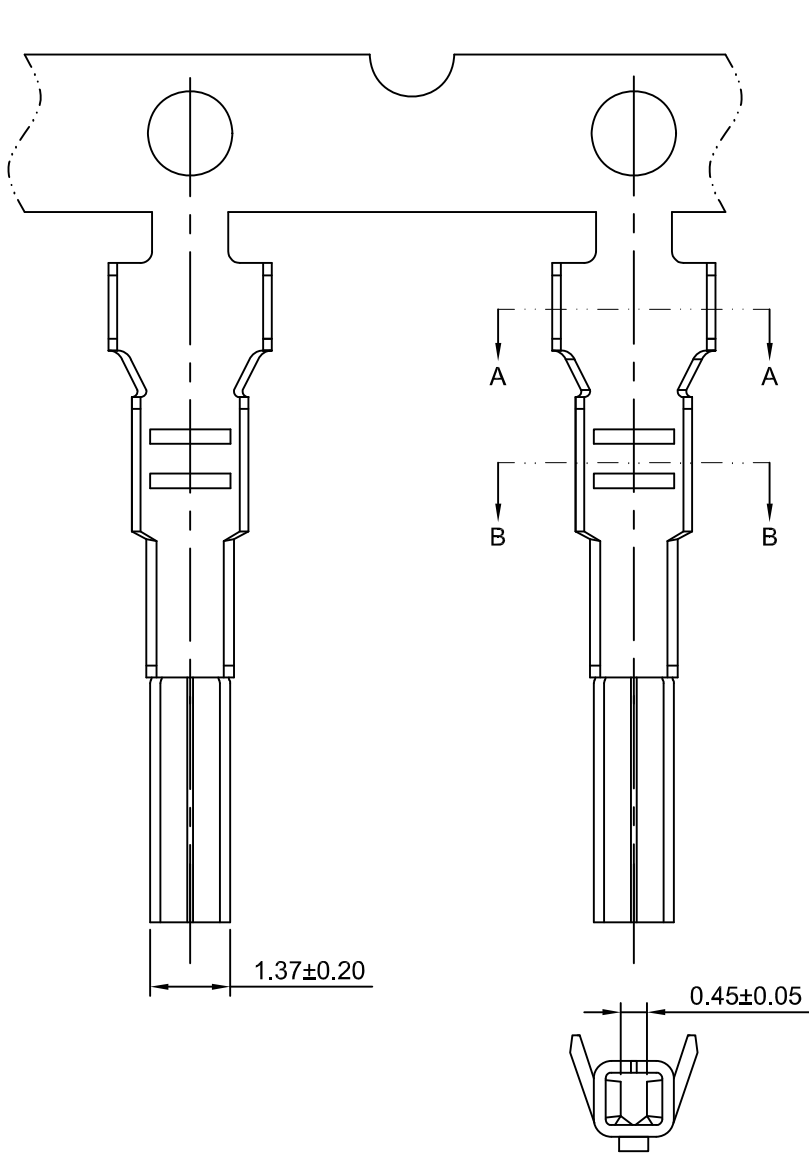
深圳市华德共创科技有限公司

Shenzhen Huade co-create Technology Co.,LTD

TEL : 0755-27129737 FAX : 0755-29940187

-TOLERANCES- UNLESS OTHERWISE SPECIFIED 公差参数表					TITLE: 2.54mm Pitch 产品名称: Crimp Terminal				
X.X	±0.30	X.X°	±3°	APPD: 核准:	XIE				
X.XX	±0.30	X.XX°	±2°	CHECK: 校对:	WANG	DATE	SCALE	UNIT	CODE NUMBER
X.XXX	±0.10	X.XXX°	±1°	DRAW: 绘图:	WANG	2012-12-10	6:1	mm	A008

修订 REV	标记 MARK	修改摘要 REVISION DESCRIPTION	签名 SIGNATURE	日期 DATE
AO		NEW RELEASE	WANG	2014-06-10



Ordering information & Specifications

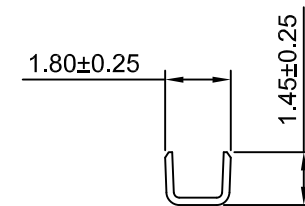
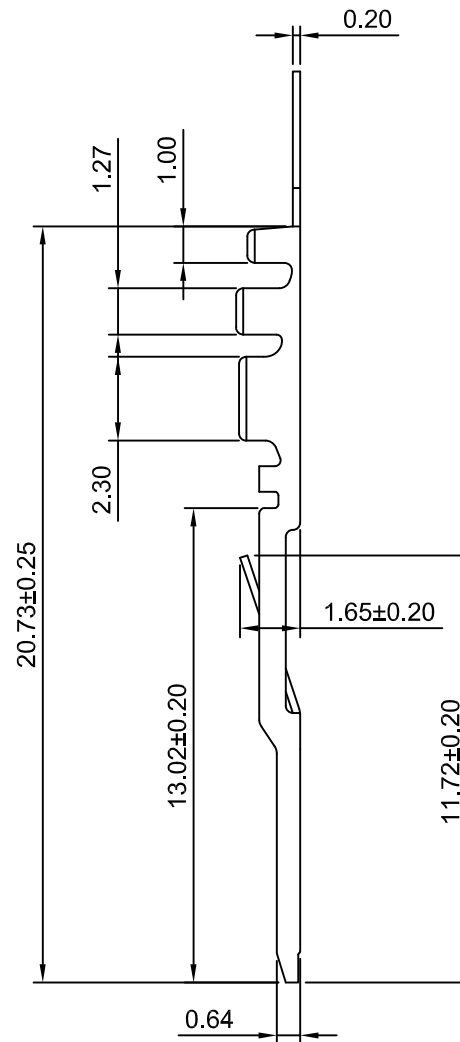
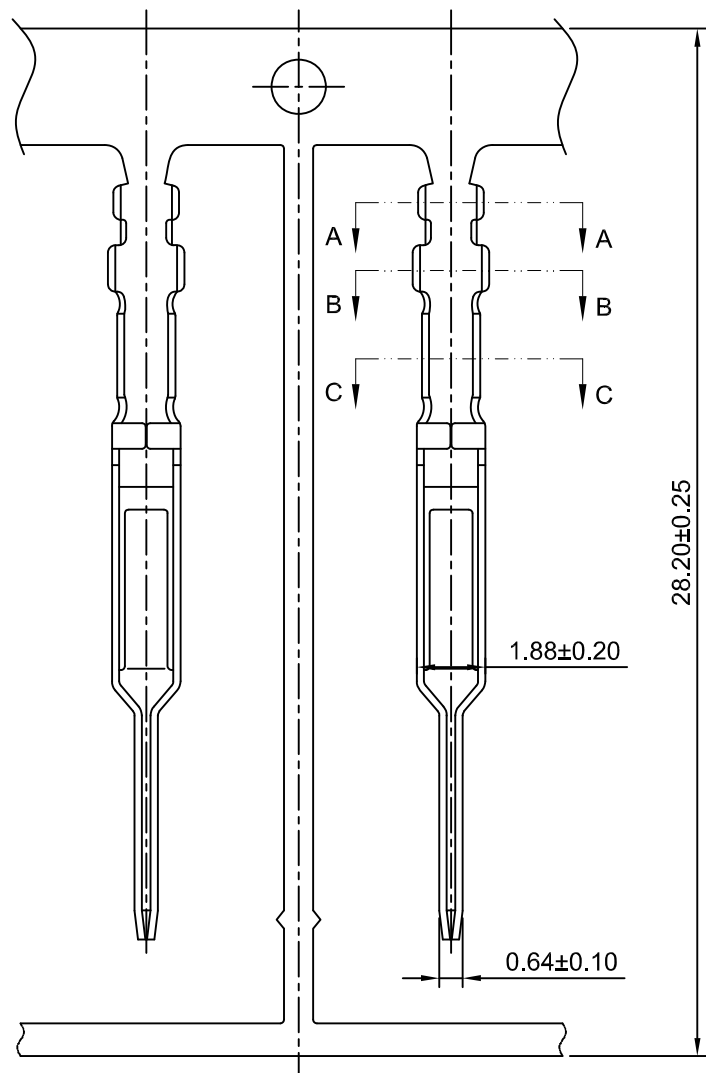
Unit:mm

Part No	Wire Range	Insultion O.D.	Material	Finish	Qty/reel
HDGC2549-GP-I	AWG#20-#24	1.85mm(max)	Phosphor Bronze	Gold over Nickel	15,000 PCS

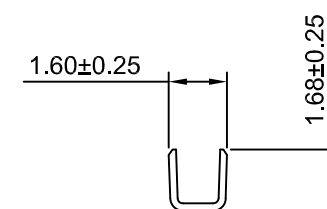
HDGC 深圳市华德共创科技有限公司
 Shenzhen Huade co-create Technology Co.,LTD
 TEL : 0755-27129737 FAX : 0755-29940187

-TOLERANCES- UNLESS OTHERWISE SPECIFIED 公差参数表						TITLE: 2.54mm Pitch 产品名称: Crimp Terminal			
X.X	±0.30	X.X°	±3°	APPD: 核准:	XIE	PART NO: 产品编号: HDGC2549-T-L			
X.XX	±0.30	X.XX°	±2°	CHECK: 校对:	WANG	DATE	SCALE	UNIT	CODE NUMBER
X.XXX	±0.10	X.XXX°	±1°	DRAW: 绘图:	WANG	2014-06-10	8:1	mm	A008

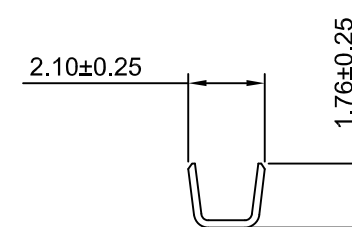
修订 REV	标记 MARK	修改摘要 REVISION DESCRIPTION	签名 SIGNATURE	日期 DATE
AO		NEW RELEASE	WANG	2014-06-10



SEC:A-A



SEC:C-C



SEC:B-B

Ordering information & Specifications

Unit:mm

Part No	Wire Range	Insultion O.D.	Material	Finish	Qty/reel
HDGC2549M-TP	AWG#22-#26	1.55mm(max)	Phosphor Bronze	Tin over Nickel	15,000 PCS
HDGC2549M-GP	AWG#22-#26	1.55mm(max)	Phosphor Bronze	Gold over Nickel	15,000 PCS

Optional Gold plating available but MOQ requested



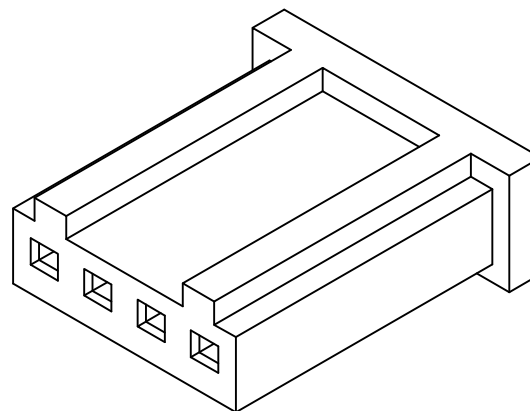
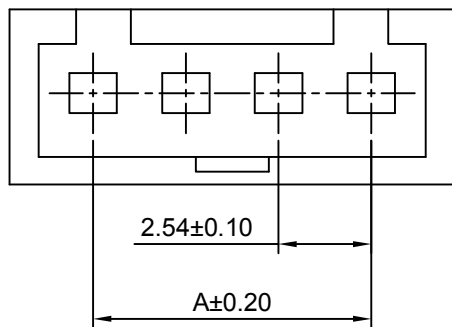
深圳市华德共创科技有限公司

Shenzhen Huade co-create Technology Co.,LTD

TEL : 0755-27129737 FAX : 0755-29940187

-TOLERANCES- UNLESS OTHERWISE SPECIFIED 公差参数表						TITLE: 2.54mm Pitch 产品名称: Crimp Terminal			
X.X	±0.30	X.X°	±3°	APPD: 核准:	XIE	PART NO: 产品编号: HDGC2549M-T			
X.XX	±0.30	X.XX°	±2°	CHECK: 校对:	WANG	DATE	SCALE	UNIT	CODE NUMBER
X.XXX	±0.10	X.XXX°	±1°	DRAW: 绘图:	WANG	2014-06-10	5:1	mm	A008

修订 REV	标记 MARK	修改摘要 REVISION DESCRIPTION	签名 SIGNATURE	日期 DATE
AO		NEW RELEASE	WANG	2014-06-10

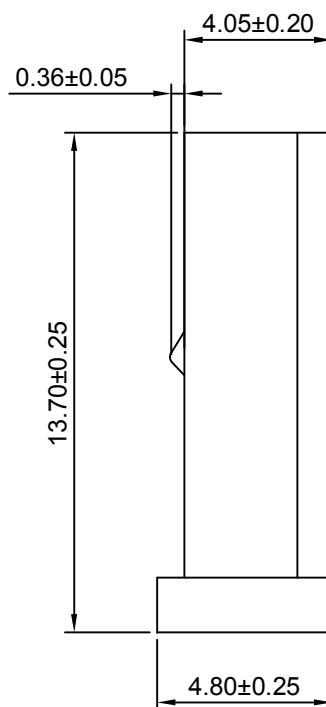
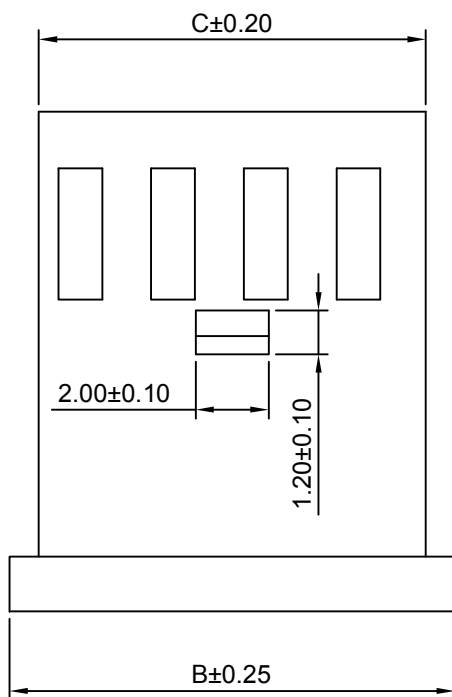


SPECIFICATIONS:

Current Rating: 3A AC,DC
Voltage Rating: 250V AC,DC
Temperature Range: -25°C ~ +85°C
Contact Resistance: 20mΩ Max
Insulation Resistance: 1000MΩ Min
Withstanding Voltage: 1000V AC/minute
Material: PBT,UL94V-0(Black)

Ordering Information & Dimensions

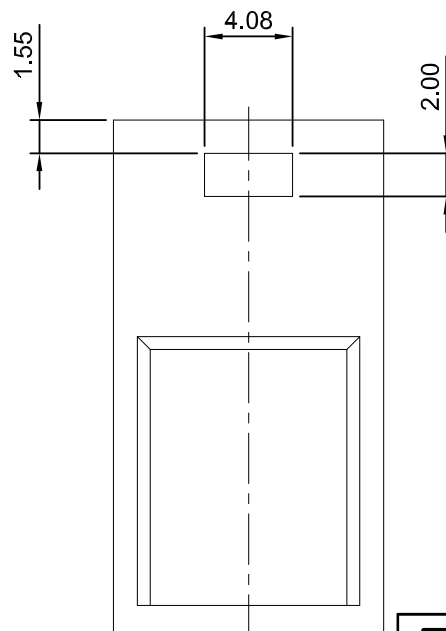
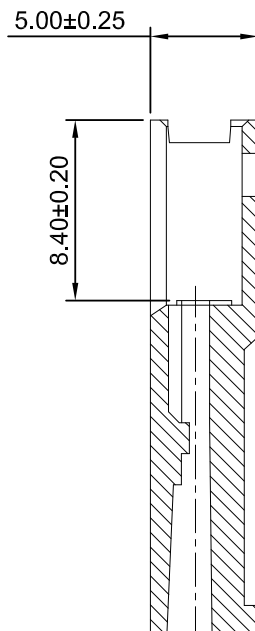
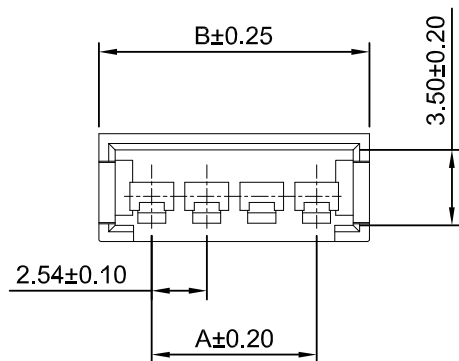
Circuits	Dimensions(mm)			Circuits	Dimensions(mm)		
	A	B	C		A	B	C
2P	2.54	7.12	5.60	13P	30.48	35.06	33.54
3P	5.08	9.66	8.14	14P	33.02	37.60	36.08
4P	7.62	12.20	10.68	15P	35.56	40.14	38.62
5P	10.16	14.74	13.22	16P	38.10	42.68	41.16
6P	12.70	17.28	15.76	17P	40.64	45.22	43.70
7P	15.24	19.82	18.30	18P	43.18	47.74	46.24
8P	17.78	22.36	20.84	19P	45.72	50.30	48.78
9P	20.32	24.90	23.38	20P	48.26	52.84	51.32
10P	22.86	27.44	25.92	21P	50.80	55.36	53.86
11P	25.40	29.98	28.46	22P	53.34	57.90	56.40
12P	27.94	32.52	31.00				



深圳市华德共创科技有限公司
Shenzhen Huade co-create Technology Co.,LTD
TEL : 0755-27129737 FAX : 0755-29940187

-TOLERANCES- UNLESS OTHERWISE SPECIFIED 公差参数表					TITLE: 2.54mm Pitch Housing 产品名称: 2.54mm Pitch Housing			
X.X	±0.30	X.X°	±3°	APPD: 核准:	XIE			
X.XX	±0.30	X.XX°	±2°	CHECK: 校对:	WANG			
X.XXX	±0.10	X.XXX°	±1°	DRAW: 绘图:	WANG			
PART NO: HDGC2549H-XP 产品编号:					DATE	SCALE	UNIT	CODE NUMBER
					2014-06-10	5:1	mm	A008

修订 REV	标记 MARK	修改摘要 REVISION DESCRIPTION	签名 SIGNATURE	日期 DATE
AO		NEW RELEASE	WANG	2014-06-10



SPECIFICATIONS:

Current Rating: 3A AC,DC
Voltage Rating: 250V AC,DC
Temperature Range: -25°C ~ +85°C
Contact Resistance: 20mΩ Max
Insulation Resistance: 1000MΩ Min
Withstanding Voltage: 1000V AC/minute
Material: PBT,UL94V-0(Black)

Ordering Information & Dimensions

Circuits	Dimensions(mm)		Circuits	Dimensions(mm)	
	A	B		A	B
2P	2.54	7.42	12P	27.94	32.82
3P	5.08	9.96	13P	30.48	35.36
4P	7.62	12.50	14P	33.02	37.90
5P	10.16	15.04	15P	35.56	40.44
6P	12.70	17.58	16P	38.10	42.98
7P	15.24	20.12	17P	40.64	45.52
8P	17.78	22.66	18P	43.18	48.06
9P	20.32	25.20	19P	45.72	50.06
10P	22.86	27.74	20P	48.26	53.14
11P	25.40	30.28			



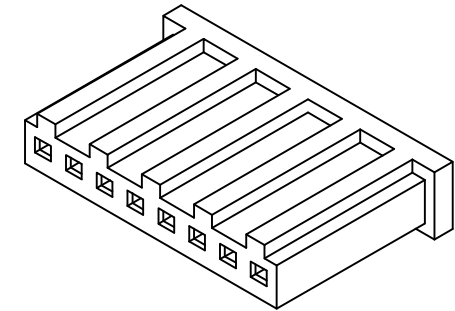
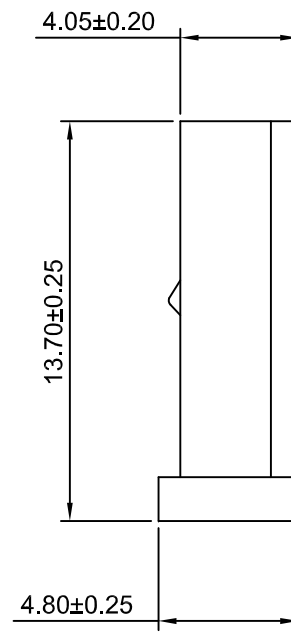
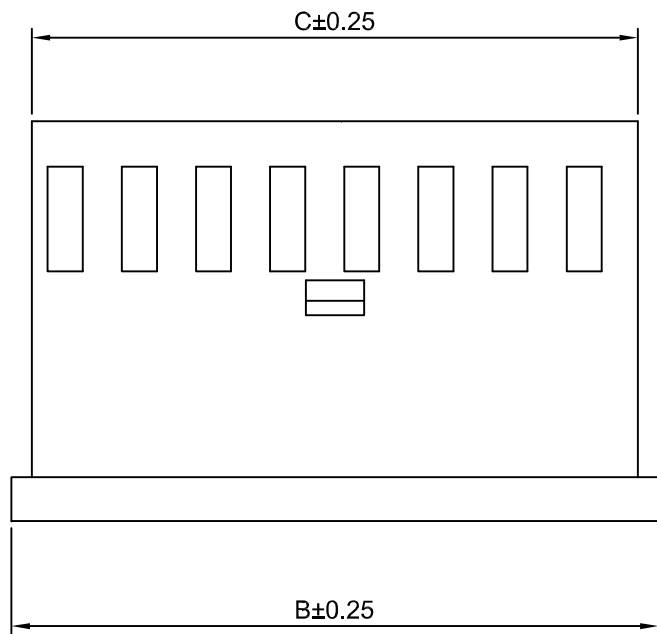
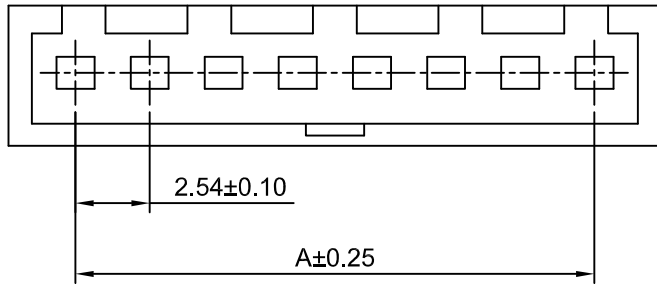
深圳市华德共创科技有限公司

Shenzhen Huade co-create Technology Co.,LTD

TEL : 0755-27129737 FAX : 0755-29940187

-TOLERANCES- UNLESS OTHERWISE SPECIFIED 公差参数表						TITLE: 2.54mm Pitch Housing 产品名称:			
X.X	±0.30	X.X°	±3°	APPD: 核准:	XIE	PART NO: 产品编号: HDGC2549HM-XP			
X.XX	±0.30	X.XX°	±2°	CHECK: 校对:	WANG	DATE	SCALE	UNIT	CODE NUMBER
X.XXX	±0.10	X.XXX°	±1°	DRAW: 绘图:	WANG	2014-06-10	3:1	mm	A008

修订 REV	标记 MARK	修改摘要 REVISION DESCRIPTION	签名 SIGNATURE	日期 DATE
AO		NEW RELEASE	WANG	2014-06-10



SPECIFICATIONS:

Current Rating: 3A AC,DC
Voltage Rating: 250V AC,DC
Temperature Range: -25°C ~ +85°C
Contact Resistance: 20mΩ Max
Insulation Resistance: 1000MΩ Min
Withstanding Voltage: 1000V AC/minute
Material: PBT,UL94V-0(Black)

Ordering Information & Dimensions

Circuits	Dimensions(mm)			Circuits	Dimensions(mm)		
	A	B	C		A	B	C
2P	2.54	7.10	5.60	10P	22.86	27.38	25.92
4P	7.62	12.20	10.68	12P	27.94	32.46	31.00
6P	12.70	17.30	15.76	15P	35.56	41.08	38.62
8P	17.78	22.30	20.84	22P	53.34	58.86	56.40
9P	20.32	24.84	23.38				

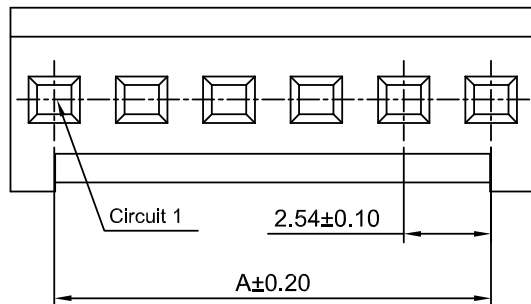


深圳市华德共创科技有限公司

Shenzhen Huade co-create Technology Co.,LTD
TEL : 0755-27129737 FAX : 0755-29940187

-TOLERANCES- UNLESS OTHERWISE SPECIFIED 公差参数表						TITLE: 2.54mm Pitch Housing 产品名称: 2.54mm Pitch Housing			
X.X	±0.30	X.X°	±3°	APPD: 核准:	XIE	PART NO: HDGC2549HA-XP 产品编号:			
X.XX	±0.30	X.XX°	±2°	CHECK: 校对:	WANG	DATE	SCALE	UNIT	CODE NUMBER
X.XXX	±0.10	X.XXX°	±1°	DRAW: 绘图:	WANG	2014-06-10	5:1	mm	A008

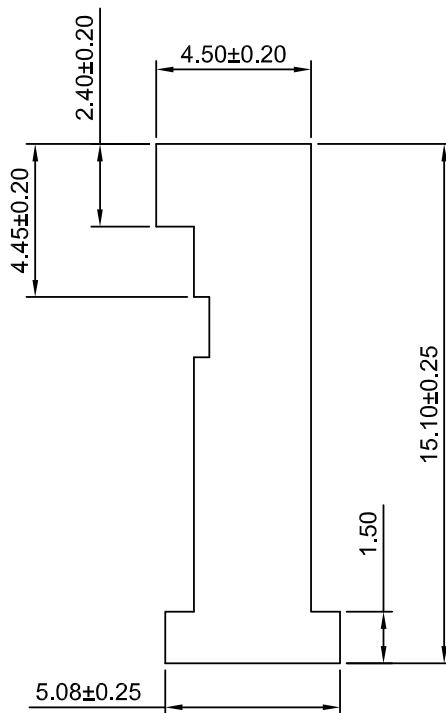
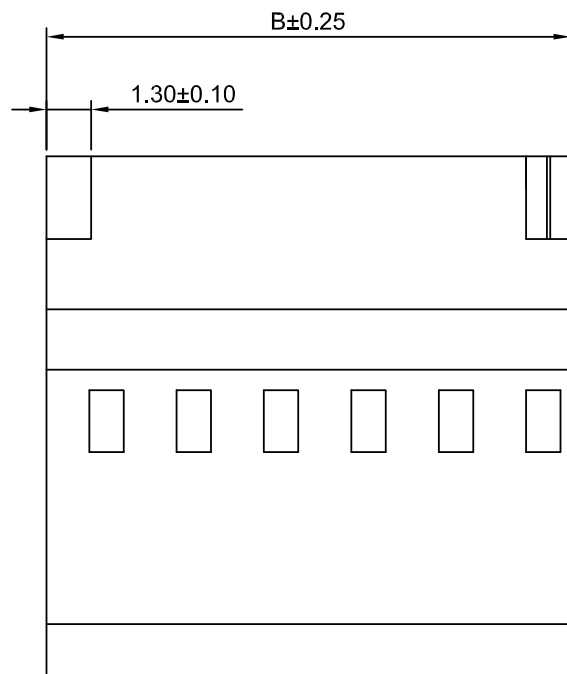
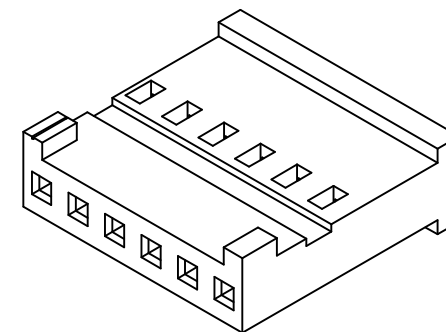
修订 REV	标记 MARK	修改摘要 REVISION DESCRIPTION	签名 SIGNATURE	日期 DATE
AO		NEW RELEASE	WANG	2014-06-10



Ordering Information:

HDGC2549HB-XP - **
1 2

- 1.Part No.
2.Color:
(blank);Blue
BK;Black



SPECIFICATIONS:

- Current Rating: 3A AC,DC
Voltage Rating: 250V AC,DC
Temperature Range: -25°C ~ +85°C
Contact Resistance: 20mΩ Max
Insulation Resistance: 1000MΩ Min
Withstanding Voltage: 1000V AC/minute
Material: Nylon 66+15%GF,UL94V-0(Blue)

Ordering Information & Dimensions

Circuits	Dimensions(mm)		Circuits	Dimensions(mm)	
	A	B		A	B
2P	2.54	5.08	8P	17.78	20.32
3P	5.08	7.62	9P	20.32	22.86
4P	7.62	10.16	10P	22.86	25.40
5P	10.16	12.70	12P	27.94	30.48
6P	12.70	15.24	15P	35.56	38.10
7P	15.24	17.78	18P	43.18	45.72

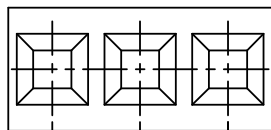


深圳市华德共创科技有限公司

Shenzhen Huade co-create Technology Co.,LTD
TEL : 0755-27129737 FAX : 0755-29940187

-TOLERANCES- UNLESS OTHERWISE SPECIFIED 公差参数表				TITLE: 产品名称 : 2.54mm Pitch Housing				
X.X	±0.30	X.X°	±3°	APPD: 核准 : XIE	PART NO: 产品编号 : HDGC2549HB-XP			
X.XX	±0.30	X.XX°	±2°	CHECK: 校对 : WANG	DATE	SCALE	UNIT	CODE NUMBER
X.XXX	±0.10	X.XXX°	±1°	DRAW: 绘图 : WANG	2014-06-10	5:1	mm	A008

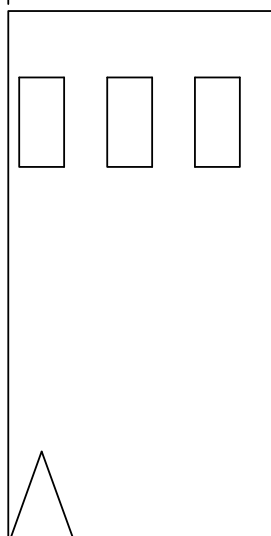
修订 REV	标记 MARK	修改摘要 REVISION DESCRIPTION	签名 SIGNATURE	日期 DATE
AO		NEW RELEASE	WANG	2014-06-10



2.54±0.10

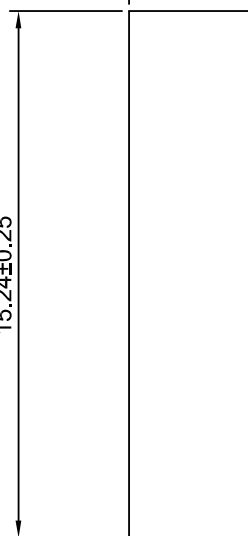
A±0.10

B±0.25

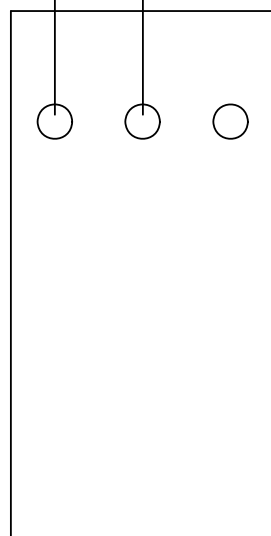


15.24±0.25

3.56±0.20



2.54±0.10



SPECIFICATIONS:

Current Rating: 3A AC,DC
Voltage Rating: 250V AC,DC
Temperature Range: -25°C ~ +85°C
Contact Resistance: 20mΩ Max
Insulation Resistance: 1000MΩ Min
Withstanding Voltage: 1000V AC/minute
Material: PBT,UL94V-0(Black)

Ordering Information & Dimensions

Circuits	Dimensions(mm)		Circuits	Dimensions(mm)	
	A	B		A	B
3P	5.08	7.62	20P	48.26	50.80
4P	7.62	10.16	21P	50.80	53.34
5P	10.16	12.70	22P	53.34	55.88
6P	12.70	15.24	23P	55.88	58.42
7P	15.24	17.78	24P	58.42	60.96
8P	17.78	20.32	25P	60.96	63.50
9P	20.32	22.86	26P	63.50	66.04
10P	22.86	25.40	27P	66.04	68.58
11P	25.40	27.94	28P	68.58	71.12
12P	27.94	30.48	29P	71.12	73.66
13P	30.48	33.02	30P	73.66	76.20
14P	33.02	35.56	31P	76.20	78.74
15P	35.56	38.10	32P	78.74	81.28
16P	38.10	40.64	33P	81.28	83.82
17P	40.64	43.18	34P	83.82	86.36
18P	43.18	45.72	35P	86.36	88.90
19P	45.72	48.26	36P	88.90	91.44

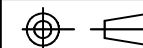


深圳市华德共创科技有限公司

Shenzhen Huade co-create Technology Co.,LTD

TEL : 0755-27129737 FAX : 0755-29940187

-TOLERANCES-
UNLESS OTHERWISE SPECIFIED
公差参数表



TITLE: 2.54mm Pitch Housing
产品名称:

X.X ±0.30 X.X° ±3°

APPD: 核准: XIE

PART NO: HDGC2549HC-XP
产品编号:

X.XX ±0.30 X.XX° ±2°

CHECK: 校对: WANG

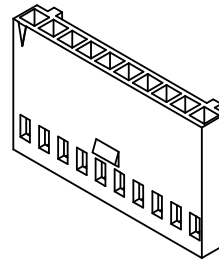
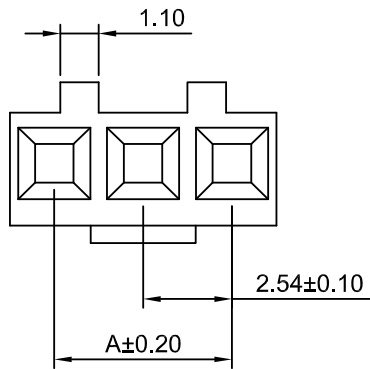
DATE SCALE UNIT CODE NUMBER

X.XXX ±0.10 X.XXX° ±1°

DRAW: 绘图: WANG

2014-06-10 5:1 mm A008

修订 REV	标记 MARK	修改摘要 REVISION DESCRIPTION	签名 SIGNATURE	日期 DATE
AO		NEW RELEASE	WANG	2014-06-10

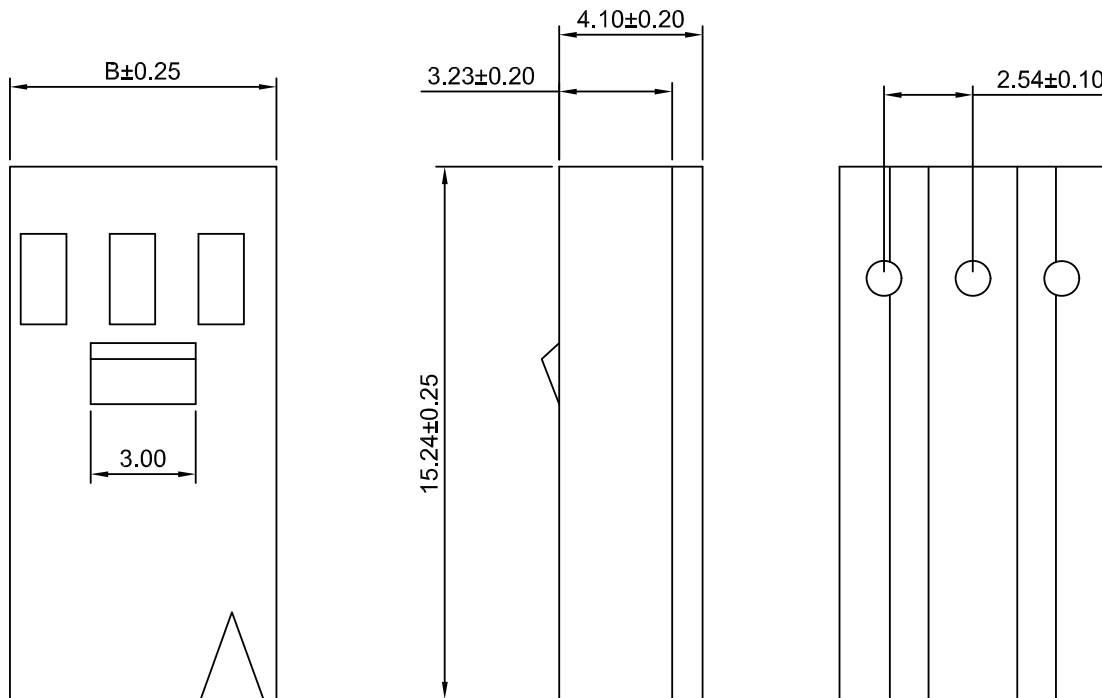


SPECIFICATIONS:

Current Rating: 3A AC,DC
Voltage Rating: 250V AC,DC
Temperature Range: -25°C ~ +85°C
Contact Resistance: 20mΩ Max
Insulation Resistance: 1000MΩ Min
Withstanding Voltage: 1000V AC/minute
Material: PBT,UL94V-0(Black)

Ordering Information & Dimensions

Circuits	Dimensions(mm)		Circuits	Dimensions(mm)	
	A	B		A	B
3P	5.08	7.62	20P	48.26	50.80
4P	7.62	10.16	21P	50.80	53.34
5P	10.16	12.70	22P	53.34	55.88
6P	12.70	15.24	23P	55.88	58.42
7P	15.24	17.78	24P	58.42	60.96
8P	17.78	20.32	25P	60.96	63.50
9P	20.32	22.86	26P	63.50	66.04
10P	22.86	25.40	27P	66.04	68.58
11P	25.40	27.94	28P	68.58	71.12
12P	27.94	30.48	29P	71.12	73.66
13P	30.48	33.02	30P	73.66	76.20
14P	33.02	35.56	31P	76.20	78.74
15P	35.56	38.10	32P	78.74	81.28
16P	38.10	40.64	33P	81.28	83.82
17P	40.64	43.18	34P	83.82	86.36
18P	43.18	45.72	35P	86.36	88.90
19P	45.72	48.26	36P	88.90	91.44

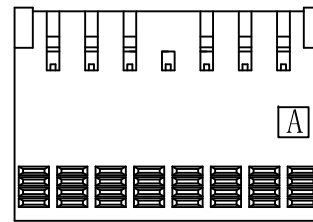
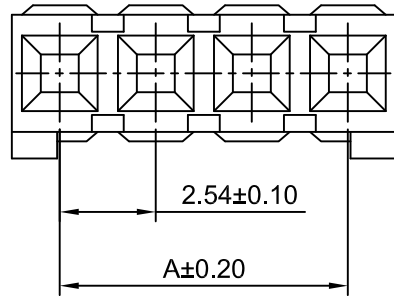


深圳市华德共创科技有限公司

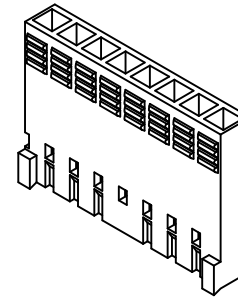
Shenzhen Huade co-create Technology Co.,LTD
TEL : 0755-27129737 FAX : 0755-29940187

-TOLERANCES- UNLESS OTHERWISE SPECIFIED 公差参数表						TITLE: 2.54mm Pitch Housing 产品名称:			
X.X	±0.30	X.X°	±3°	APPD: 核准:	XIE	PART NO: HDGC2549HD-XP 产品编号:			
X.XX	±0.30	X.XX°	±2°	CHECK: 校对:	WANG	DATE	SCALE	UNIT	CODE NUMBER
X.XXX	±0.10	X.XXX°	±1°	DRAW: 绘图:	WANG	2014-06-10	5:1	mm	A008

修订 REV	标记 MARK	修改摘要 REVISION DESCRIPTION	签名 SIGNATURE	日期 DATE
AO		NEW RELEASE	WANG	2014-06-10



8P~36P

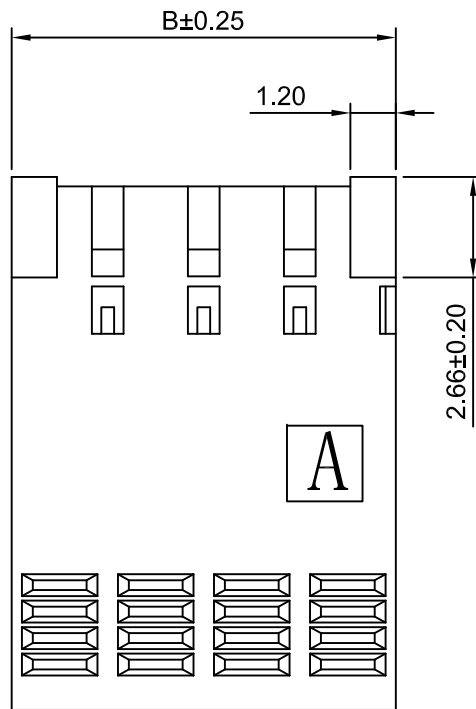


SPECIFICATIONS:

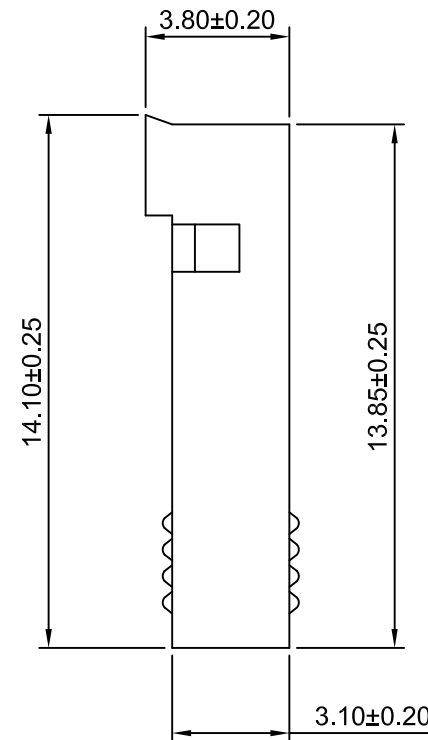
Current Rating: 3A AC,DC
Voltage Rating: 250V AC,DC
Temperature Range: -25°C ~ +85°C
Contact Resistance: 20mΩ Max
Insulation Resistance: 1000MΩ Min
Withstanding Voltage: 1000V AC/minute
Material: PBT,UL94V-0(Blue)

Ordering Information & Dimensions

Circuits	Dimensions(mm)		Circuits	Dimensions(mm)	
	A	B		A	B
2P	2.54	5.08	20P	48.26	50.80
3P	5.08	7.62	21P	50.80	53.34
4P	7.62	10.16	22P	53.34	55.88
5P	10.16	12.70	23P	55.88	58.42
6P	12.70	15.24	24P	58.42	60.96
7P	15.24	17.78	25P	60.96	63.50
8P	17.78	20.32	26P	63.50	66.04
9P	20.32	22.86	27P	66.04	68.58
10P	22.86	25.40	28P	68.58	71.12
11P	25.40	27.94	29P	71.12	73.66
12P	27.94	30.48	30P	73.66	76.20
13P	30.48	33.02	31P	76.20	78.74
14P	33.02	35.56	32P	78.74	81.28
15P	35.56	38.10	33P	81.28	83.82
16P	38.10	40.64	34P	83.82	86.36
17P	40.64	43.18	35P	86.36	88.90
18P	43.18	45.72	36P	88.90	91.44
19P	45.72	48.26			



2P~7P

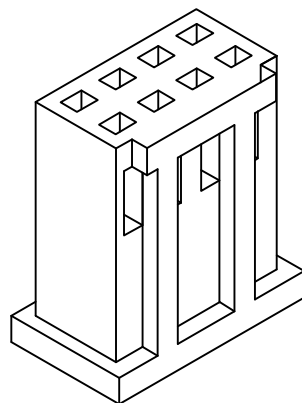
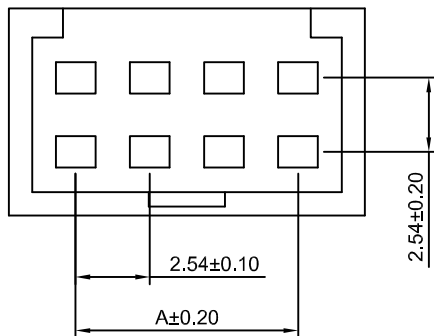


深圳市华德共创科技有限公司

Shenzhen Huade co-create Technology Co.,LTD
TEL : 0755-27129737 FAX : 0755-29940187

-TOLERANCES- UNLESS OTHERWISE SPECIFIED 公差参数表						TITLE: 2.54mm Pitch Housing 产品名称:			
X.X	±0.30	X.X°	±3°	APPD: 核准:	XIE	PART NO: 产品编号: HDGC2549HK-XP			
X.XX	±0.30	X.XX°	±2°	CHECK: 校对:	WANG	DATE	SCALE	UNIT	CODE NUMBER
X.XXX	±0.10	X.XXX°	±1°	DRAW: 绘图:	WANG	2014-06-10	5:1	mm	A008

修订 REV	标记 MARK	修改摘要 REVISION DESCRIPTION	签名 SIGNATURE	日期 DATE
AO		NEW RELEASE	WANG	2014-06-10

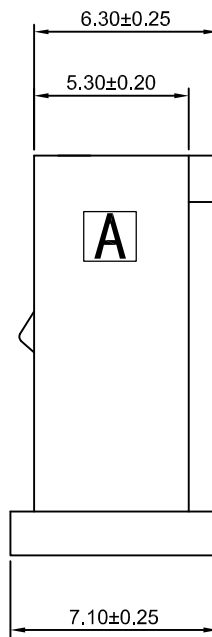
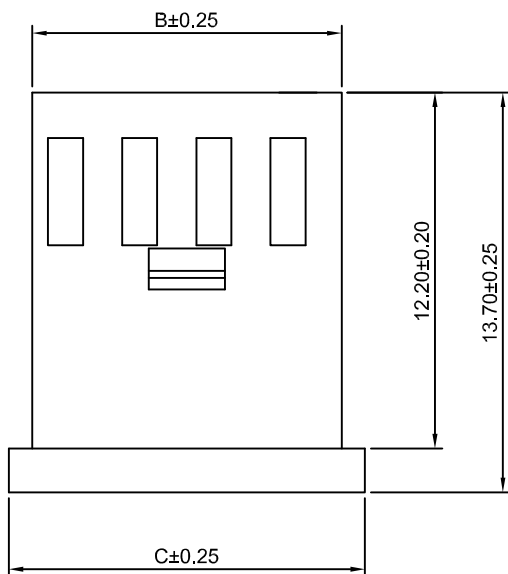


SPECIFICATIONS:

Current Rating: 3A AC,DC
Voltage Rating: 250V AC,DC
Temperature Range: -25°C ~ +85°C
Contact Resistance: 20mΩ Max
Insulation Resistance: 1000MΩ Min
Withstanding Voltage: 1000V AC/minute
Material: PBT,UL94V-0(Black)

Ordering Information & Dimensions

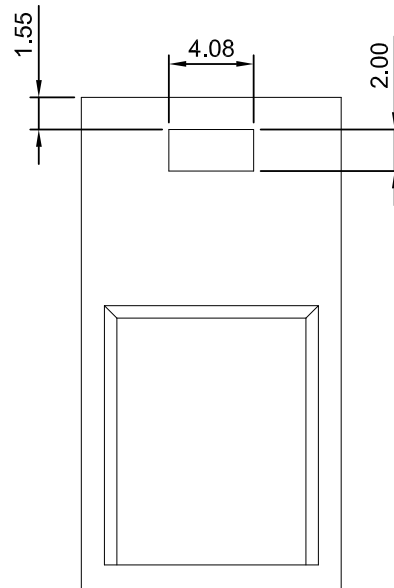
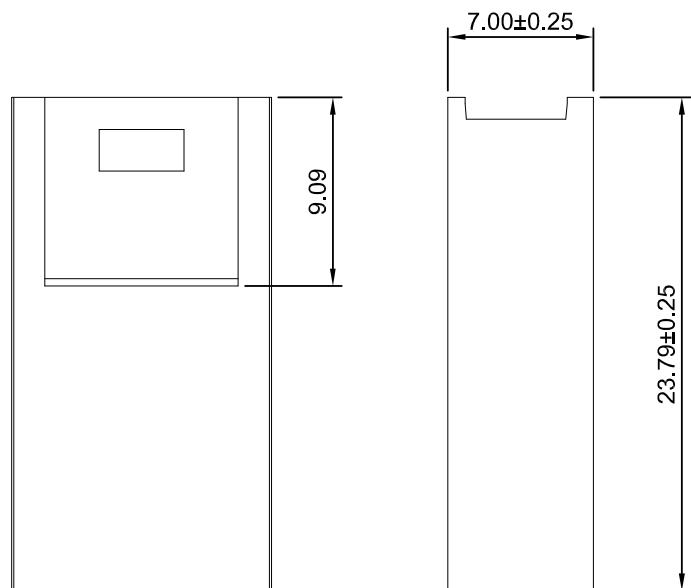
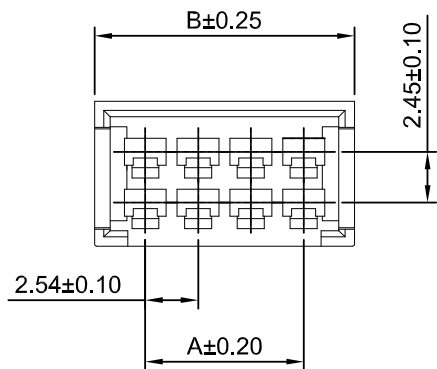
Circuits	Dimensions(mm)			Circuits	Dimensions(mm)		
	A	B	C		A	B	C
2x2P	2.54	5.52	7.12	2x13P	30.48	33.46	35.06
2x3P	5.08	8.06	9.66	2x14P	33.02	36.00	37.60
2x4P	7.62	10.60	12.20	2x15P	35.56	38.54	40.14
2x5P	10.16	13.14	14.74	2x16P	38.10	41.08	42.68
2x6P	12.70	15.68	17.28	2x17P	40.64	43.62	45.22
2x7P	15.24	18.22	19.82	2x18P	43.18	46.16	47.76
2x8P	17.78	20.76	22.36	2x19P	45.72	48.70	50.30
2x9P	20.32	23.30	24.90	2x20P	48.26	51.24	52.84
2x10P	22.86	25.84	27.44	2x21P	50.80	53.78	55.38
2x11P	25.40	28.38	29.98	2x22P	53.34	56.32	57.92
2x12P	27.94	30.92	32.52				



深圳市华德共创科技有限公司
Shenzhen Huade co-create Technology Co.,LTD
TEL : 0755-27129737 FAX : 0755-29940187

-TOLERANCES- UNLESS OTHERWISE SPECIFIED 公差参数表						TITLE: 2.54mm Pitch Housing 产品名称: 2.54mm Pitch Housing			
X.X	±0.30	X.X°	±3°	APPD: 核准:	XIE	PART NO: 产品编号: HDGC2549H-2xXP			
X.XX	±0.30	X.XX°	±2°	CHECK: 校对:	WANG	DATE	SCALE	UNIT	CODE NUMBER
X.XXX	±0.10	X.XXX°	±1°	DRAW: 绘图:	WANG	2014-06-10	4:1	mm	A008

修订 REV	标记 MARK	修改摘要 REVISION DESCRIPTION	签名 SIGNATURE	日期 DATE
AO		NEW RELEASE	WANG	2016-06-04



SPECIFICATIONS:

Current Rating: 3A AC,DC
Voltage Rating: 250V AC,DC
Temperature Range: -25°C ~ +85°C
Contact Resistance: 20mΩ Max
Insulation Resistance: 1000MΩ Min
Withstanding Voltage: 1000V AC/minute
Material: PBT,UL94V-0(Black)

Ordering Information & Dimensions

Circuits	Dimensions(mm)		Circuits	Dimensions(mm)	
	A	B		A	B
2x2P	2.54	7.42	2x12P	27.94	32.82
2x3P	5.08	9.96	2x13P	30.48	35.36
2x4P	7.62	12.50	2x14P	33.02	37.90
2x5P	10.16	15.04	2x15P	35.56	40.44
2x6P	12.70	17.58	2x16P	38.10	42.98
2x7P	15.24	20.12	2x17P	40.64	45.52
2x8P	17.78	22.66	2x18P	43.18	48.06
2x9P	20.32	25.20	2x19P	45.72	50.06
2x10P	22.86	27.74	2x20P	48.26	53.14
2x11P	25.40	30.28			

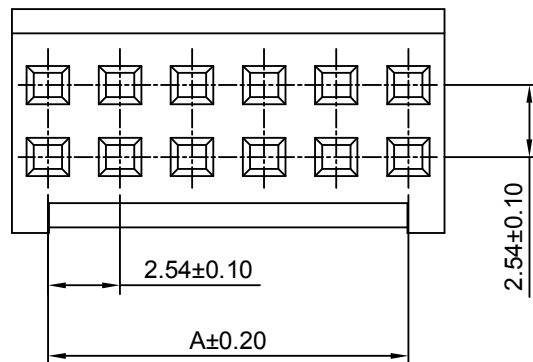


深圳市华德共创科技有限公司

Shenzhen Huade co-create Technology Co.,LTD
TEL : 0755-27129737 FAX : 0755-29940187

-TOLERANCES- UNLESS OTHERWISE SPECIFIED 公差参数表						TITLE: 2.54mm Pitch Housing 产品名称:			
X.X	±0.30	X.X°	±3°	APPD: 核准:	XIE	PART NO: 产品编号: HDGC2549HM-2xXP			
X.XX	±0.30	X.XX°	±2°	CHECK: 校对:	WANG	DATE	SCALE	UNIT	CODE NUMBER
X.XXX	±0.10	X.XXX°	±1°	DRAW: 绘图:	WANG	2016-06-04	3:1	mm	A008

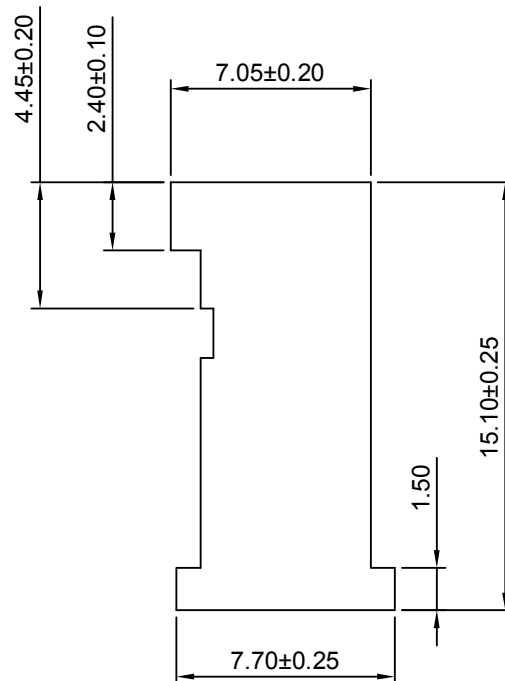
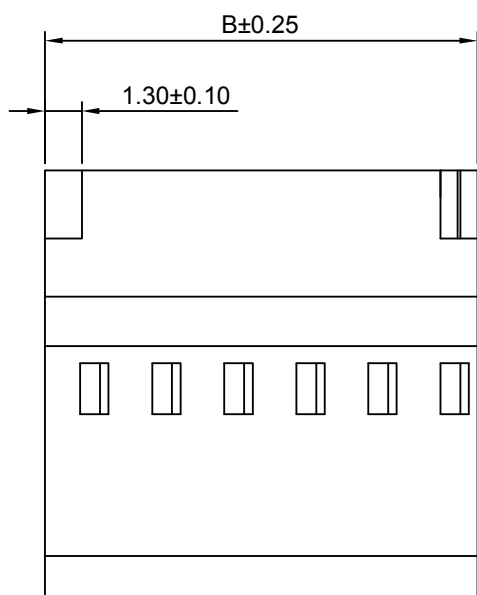
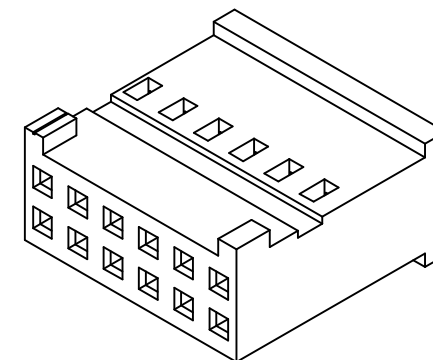
修订 REV	标记 MARK	修改摘要 REVISION DESCRIPTION	签名 SIGNATURE	日期 DATE
AO		NEW RELEASE	WANG	2014-06-10



Ordering Information:

HDGC2549HB-2xXP - **
1 2

- Part No.
- Color:
(blank):Blue
BK:Black



SPECIFICATIONS:

Current Rating: 3A AC,DC
Voltage Rating: 250V AC,DC
Temperature Range: -25°C ~ +85°C
Contact Resistance: 20mΩ Max
Insulation Resistance: 1000MΩ Min
Withstanding Voltage: 1000V AC/minute
Material: Nylon 66+15%GF,UL94V-0

Ordering Information & Dimensions

Circuits	Dimensions(mm)		Circuits	Dimensions(mm)	
	A	B		A	B
2x2P	2.54	5.08	2x8P	17.78	20.32
2x3P	5.08	7.62	2x9P	20.32	22.86
2x4P	7.62	10.16	2x10P	22.86	25.40
2x5P	10.16	12.70	2x12P	27.94	30.48
2x6P	12.70	15.24	2x15P	35.56	38.10
2x7P	15.24	17.78	2x18P	43.18	45.72

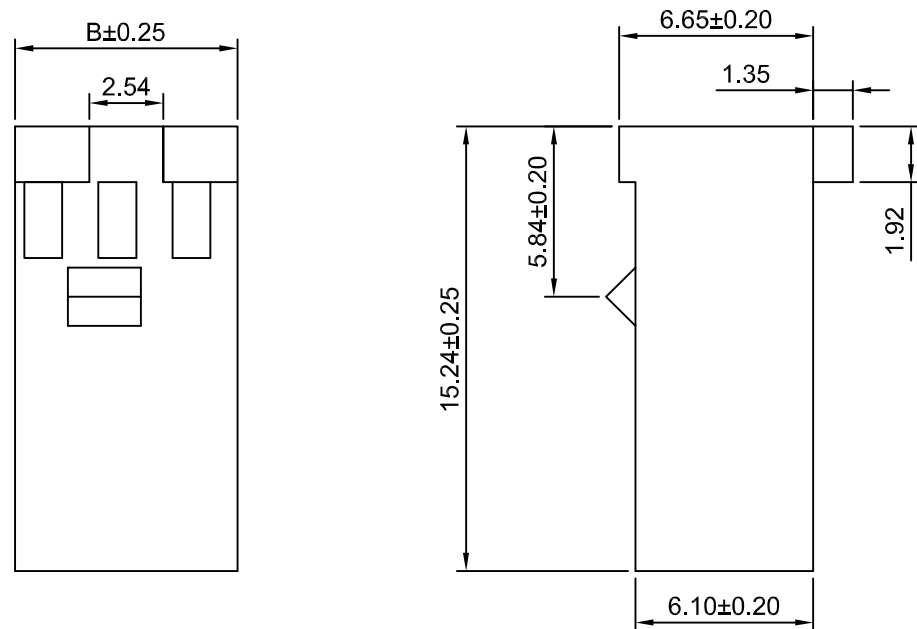
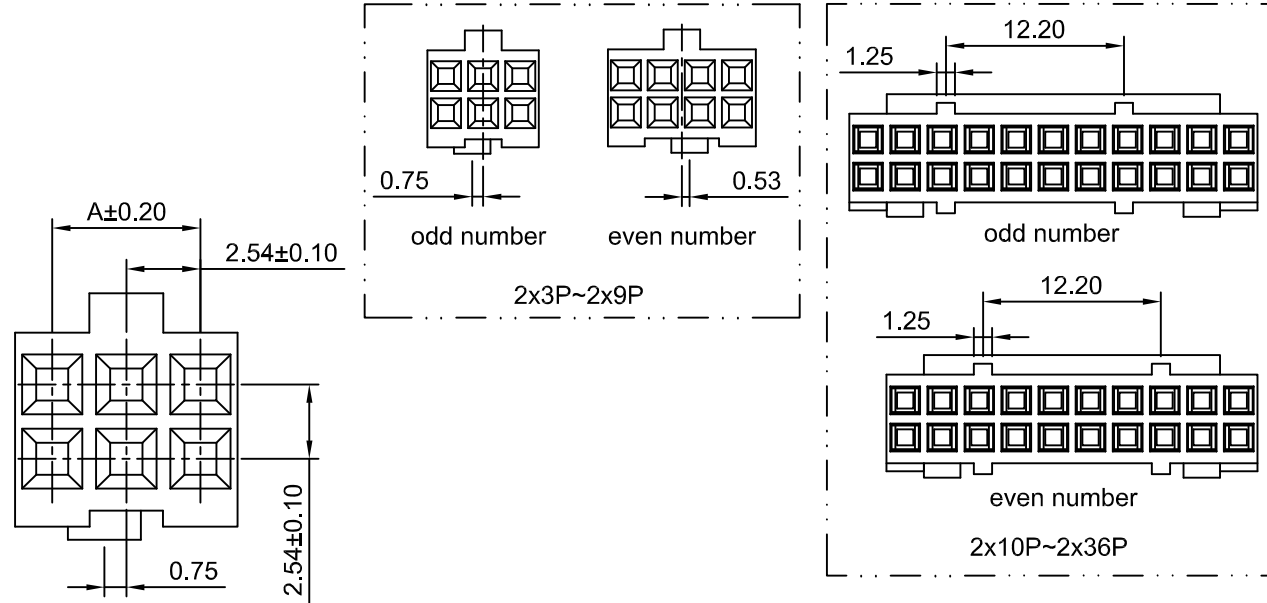


深圳市华德共创科技有限公司

Shenzhen Huade co-create Technology Co.,LTD
TEL : 0755-27129737 FAX : 0755-29940187

-TOLERANCES- UNLESS OTHERWISE SPECIFIED 公差参数表				TITLE: 产品名称 : 2.54mm Pitch Housing				
X.X	±0.30	X.X°	±3°	APPD: 核准 : XIE	PART NO: 产品编号 : HDGC2549HB-2xXP			
X.XX	±0.30	X.XX°	±2°	CHECK: 校对 : WANG	DATE	SCALE	UNIT	CODE NUMBER
X.XXX	±0.10	X.XXX°	±1°	DRAW: 绘图 : WANG	2014-06-10	4:1	mm	A008

修订 REV	标记 MARK	修改摘要 REVISION DESCRIPTION	签名 SIGNATURE	日期 DATE
AO		NEW RELEASE	WANG	2014-06-10



SPECIFICATIONS:

Current Rating: 3A AC,DC
Voltage Rating: 250V AC,DC
Temperature Range: -25°C ~ +85°C
Contact Resistance: 20mΩ Max.
Insulation Resistance: 500MΩ Min.
Withstanding Voltage: 1500V AC/minute
Material: PBT UL94V-0(Black)

Ordering Information & Dimensions

Circuits	Dimensions(mm)		Circuits	Dimensions(mm)	
	A	B		A	B
2x3P	5.08	7.62	2x20P	48.26	50.80
2x4P	7.62	10.16	2x21P	50.80	53.34
2x5P	10.16	12.70	2x22P	53.34	55.88
2x6P	12.70	15.24	2x23P	55.88	58.42
2x7P	15.24	17.78	2x24P	58.42	60.96
2x8P	17.78	20.32	2x25P	60.96	63.50
2x9P	20.32	22.86	2x26P	63.50	66.04
2x10P	22.86	25.40	2x27P	66.04	68.58
2x11P	25.40	27.94	2x28P	68.58	71.12
2x12P	27.94	30.48	2x29P	71.12	73.66
2x13P	30.48	33.02	2x30P	73.66	76.20
2x14P	33.02	35.56	2x31P	76.20	78.74
2x15P	35.56	38.10	2x32P	78.74	81.28
2x16P	38.10	40.64	2x33P	81.28	83.82
2x17P	40.64	43.18	2x34P	83.82	86.36
2x18P	43.18	45.72	2x35P	86.36	88.90
2x19P	45.72	48.26	2x36P	88.90	91.44



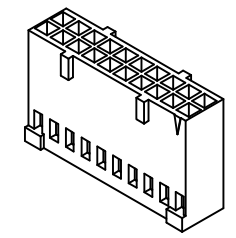
深圳市华德共创科技有限公司

Shenzhen Huade co-create Technology Co.,LTD

TEL : 0755-27129737 FAX : 0755-29940187

-TOLERANCES- UNLESS OTHERWISE SPECIFIED 公差参数表						TITLE: 2.54mm Pitch Housing 产品名称:			
X.X	±0.30	X.X°	±3°	APPD: 核准:	XIE	PART NO: 产品编号: HDGC2549HC-2xXP			
X.XX	±0.30	X.XX°	±2°	CHECK: 校对:	WANG	DATE	SCALE	UNIT	CODE NUMBER
X.XXX	±0.10	X.XXX°	±1°	DRAW: 绘图:	WANG	2014-06-10	4:1	mm	A008

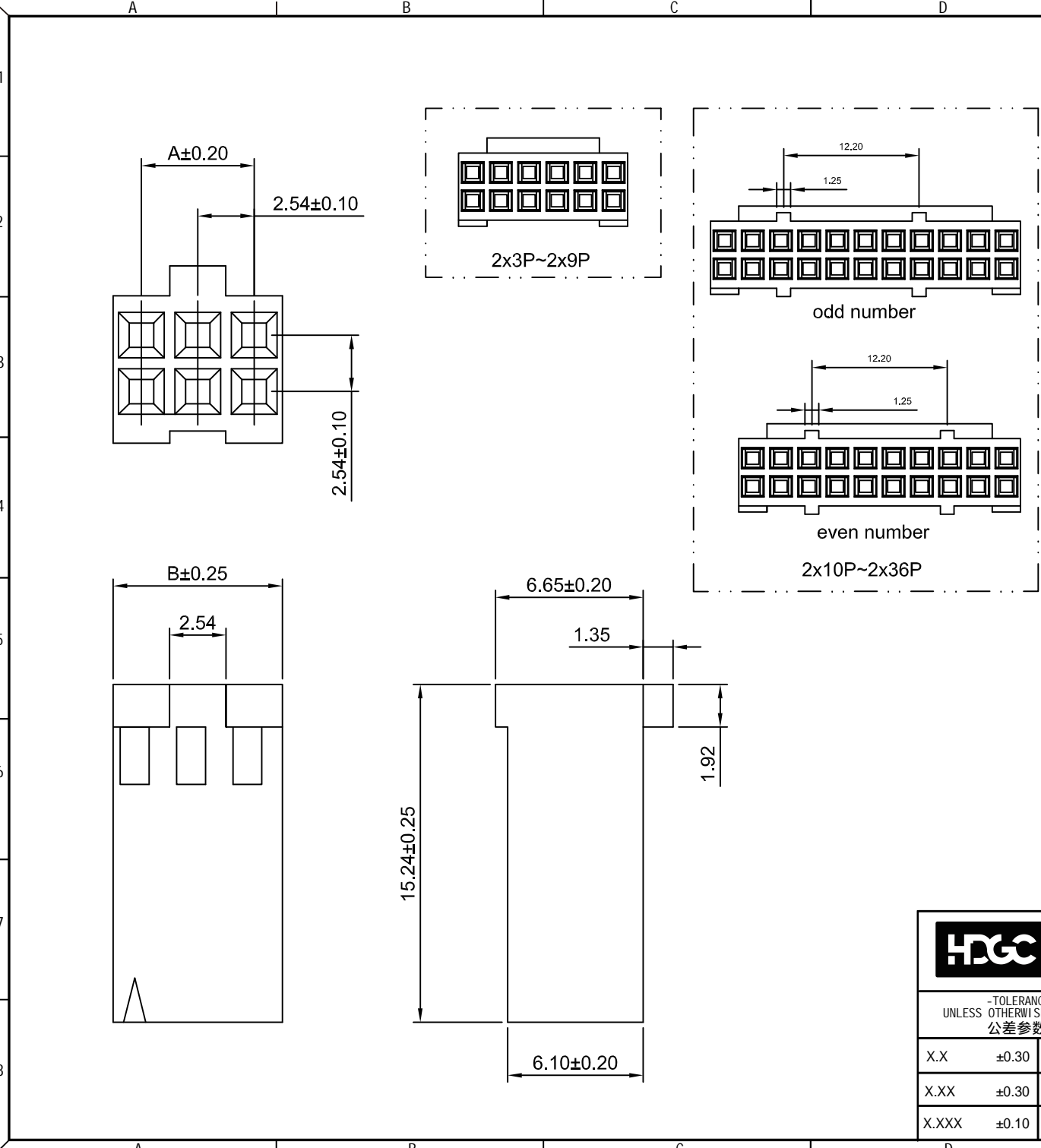
修订 REV	标记 MARK	修改摘要 REVISION DESCRIPTION	签名 SIGNATURE	日期 DATE
AO		NEW RELEASE	WANG	2014-06-10



SPECIFICATIONS:
 Current Rating: 3A AC,DC
 Voltage Rating: 250V AC,DC
 Temperature Range: -25°C ~ +85°C
 Contact Resistance: 20mΩ Max
 Insulation Resistance: 1000MΩ Min
 Withstanding Voltage: 1000V AC/minute
 Material: PBT,UL94V-0(Black)

Ordering Information & Dimensions

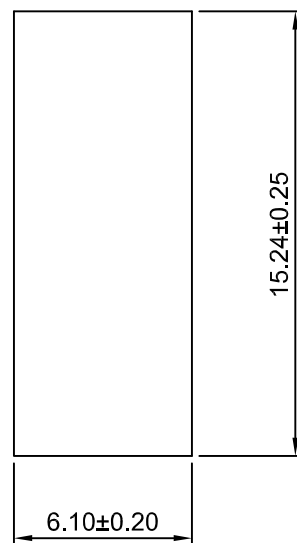
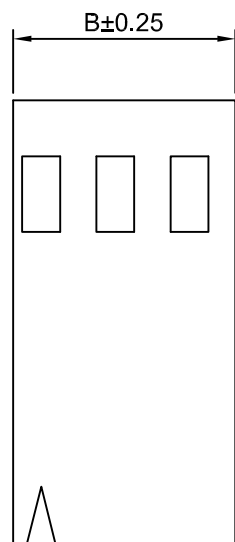
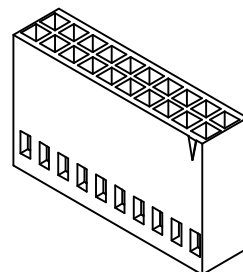
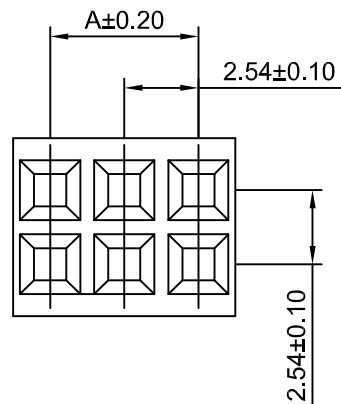
Circuits	Dimensions(mm)		Circuits	Dimensions(mm)	
	A	B		A	B
2x3P	5.08	7.62	2x20P	48.26	50.80
2x4P	7.62	10.16	2x21P	50.80	53.34
2x5P	10.16	12.70	2x22P	53.34	55.88
2x6P	12.70	15.24	2x23P	55.88	58.42
2x7P	15.24	17.78	2x24P	58.42	60.96
2x8P	17.78	20.32	2x25P	60.96	63.50
2x9P	20.32	22.86	2x26P	63.50	66.04
2x10P	22.86	25.40	2x27P	66.04	68.58
2x11P	25.40	27.94	2x28P	68.58	71.12
2x12P	27.94	30.48	2x29P	71.12	73.66
2x13P	30.48	33.02	2x30P	73.66	76.20
2x14P	33.02	35.56	2x31P	76.20	78.74
2x15P	35.56	38.10	2x32P	78.74	81.28
2x16P	38.10	40.64	2x33P	81.28	83.82
2x17P	40.64	43.18	2x34P	83.82	86.36
2x18P	43.18	45.72	2x35P	86.36	88.90
2x19P	45.72	48.26	2x36P	88.90	91.44



HDGC 深圳市华德共创科技有限公司
 Shenzhen Huade co-create Technology Co.,LTD
 TEL : 0755-27129737 FAX : 0755-29940187

-TOLERANCES- OTHERWISE SPECIFIED 公差参数表				TITLE: 产品名称: 2.54mm Pitch Housing	
X.X	±0.30	X.X°	±3°	APPD: 核准:	XIE
X.XX	±0.30	X.XX°	±2°	CHECK: 校对:	WANG
X.XXX	±0.10	X.XXX°	±1°	DRAW: 绘图:	WANG
PART NO: 产品编号:		HDGC2549HD-2xXP			
DATE	SCALE	UNIT	CODE NUMBER		
2014-06-10	4:1	mm	A008		

修订 REV	标记 MARK	修改摘要 REVISION DESCRIPTION	签名 SIGNATURE	日期 DATE
AO		NEW RELEASE	WANG	2014-06-10



SPECIFICATIONS:

Current Rating: 3A AC,DC
Voltage Rating: 250V AC,DC
Temperature Range: -25°C ~ +85°C
Contact Resistance: 20mΩ Max
Insulation Resistance: 1000MΩ Min
Withstanding Voltage: 1000V AC/minute
Material: PBT,UL94V-0(Black)

Ordering Information & Dimensions

Circuits	Dimensions(mm)		Circuits	Dimensions(mm)	
	A	B		A	B
2x3P	5.08	7.62	2x20P	48.26	50.80
2x4P	7.62	10.16	2x21P	50.80	53.34
2x5P	10.16	12.70	2x22P	53.34	55.88
2x6P	12.70	15.24	2x23P	55.88	58.42
2x7P	15.24	17.78	2x24P	58.42	60.96
2x8P	17.78	20.32	2x25P	60.96	63.50
2x9P	20.32	22.86	2x26P	63.50	66.04
2x10P	22.86	25.40	2x27P	66.04	68.58
2x11P	25.40	27.94	2x28P	68.58	71.12
2x12P	27.94	30.48	2x29P	71.12	73.66
2x13P	30.48	33.02	2x30P	73.66	76.20
2x14P	33.02	35.56	2x31P	76.20	78.74
2x15P	35.56	38.10	2x32P	78.74	81.28
2x16P	38.10	40.64	2x33P	81.28	83.82
2x17P	40.64	43.18	2x34P	83.82	86.36
2x18P	43.18	45.72	2x35P	86.36	88.90
2x19P	45.72	48.26	2x36P	88.90	91.44

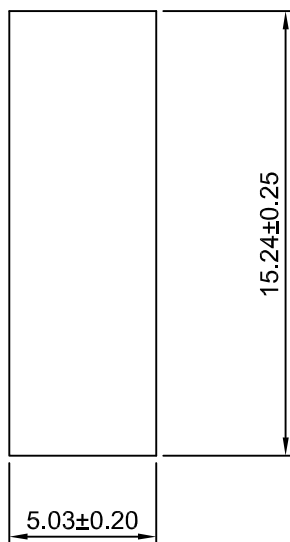
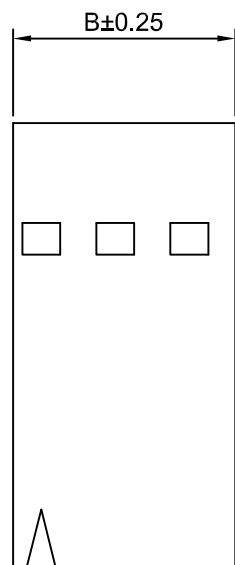
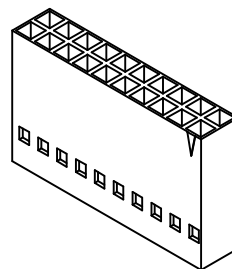
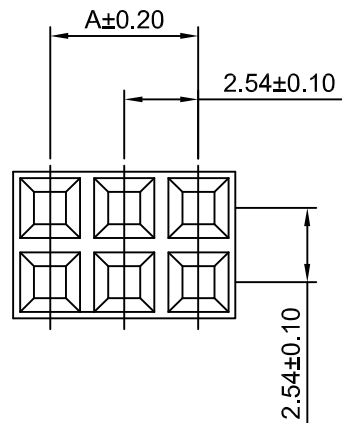


深圳市华德共创科技有限公司

Shenzhen Huade co-create Technology Co.,LTD
TEL : 0755-27129737 FAX : 0755-29940187

-TOLERANCES- UNLESS OTHERWISE SPECIFIED 公差参数表						TITLE: 2.54mm Pitch Housing 产品名称 :			
X.X	±0.30	X.X°	±3°	APPD: 核准 :	XIE	PART NO: 产品编号 : HDGC2549HE-2xXP			
X.XX	±0.30	X.XX°	±2°	CHECK: 校对 :	WANG	DATE	SCALE	UNIT	CODE NUMBER
X.XXX	±0.10	X.XXX°	±1°	DRAW: 绘图 :	WANG	2014-06-10	4:1	mm	A008

修订 REV	标记 MARK	修改摘要 REVISION DESCRIPTION	签名 SIGNATURE	日期 DATE
AO		NEW RELEASE	WANG	2014-06-10



SPECIFICATIONS:

Current Rating: 3A AC,DC
Voltage Rating: 250V AC,DC
Temperature Range: $-25^{\circ}\text{C} \sim +85^{\circ}\text{C}$
Contact Resistance: 20m Ω Max
Insulation Resistance: 1000M Ω Min
Withstanding Voltage: 1000V AC/minute
Material: PBT,UL94V-0(Black)

Ordering Information & Dimensions

Circuits	Dimensions(mm)		Circuits	Dimensions(mm)	
	A	B		A	B
2x3P	5.08	7.62	2x20P	48.26	50.80
2x4P	7.62	10.16	2x21P	50.80	53.34
2x5P	10.16	12.70	2x22P	53.34	55.88
2x6P	12.70	15.24	2x23P	55.88	58.42
2x7P	15.24	17.78	2x24P	58.42	60.96
2x8P	17.78	20.32	2x25P	60.96	63.50
2x9P	20.32	22.86	2x26P	63.50	66.04
2x10P	22.86	25.40	2x27P	66.04	68.58
2x11P	25.40	27.94	2x28P	68.58	71.12
2x12P	27.94	30.48	2x29P	71.12	73.66
2x13P	30.48	33.02	2x30P	73.66	76.20
2x14P	33.02	35.56	2x31P	76.20	78.74
2x15P	35.56	38.10	2x32P	78.74	81.28
2x16P	38.10	40.64	2x33P	81.28	83.82
2x17P	40.64	43.18	2x34P	83.82	86.36
2x18P	43.18	45.72	2x35P	86.36	88.90
2x19P	45.72	48.26	2x36P	88.90	91.44



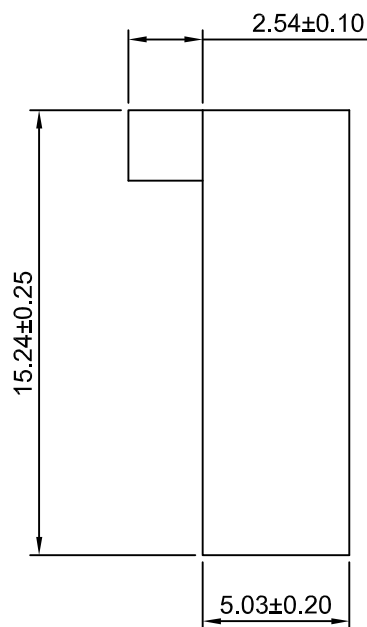
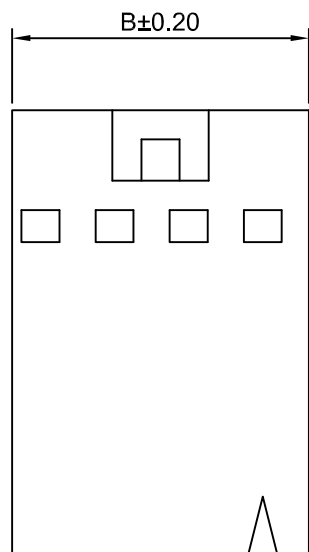
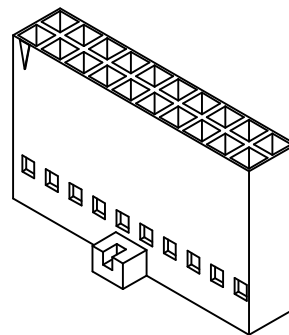
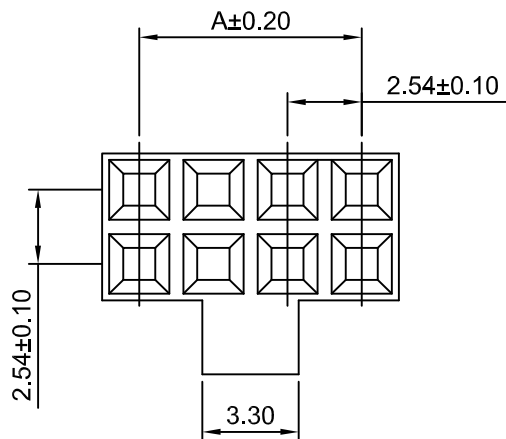
深圳市华德共创科技有限公司

Shenzhen Huade co-create Technology Co.,LTD

TEL : 0755-27129737 FAX : 0755-29940187

-TOLERANCES- UNLESS OTHERWISE SPECIFIED 公差参数表						TITLE: 产品名称 : 2.54mm Pitch Housing			
X.X	± 0.30	X.X°	$\pm 3^{\circ}$	APPD: 核准 :	XIE	PART NO: 产品编号 : HDGC2549HG-2xXP			
X.XX	± 0.30	X.XX°	$\pm 2^{\circ}$	CHECK: 校对 :	WANG	DATE	SCALE	UNIT	CODE NUMBER
X.XXX	± 0.10	X.XXX°	$\pm 1^{\circ}$	DRAW: 绘图 :	WANG	2014-06-10	4:1	mm	A008

修订 REV	标记 MARK	修改摘要 REVISION DESCRIPTION	签名 SIGNATURE	日期 DATE
AO		NEW RELEASE	WANG	2014-06-10



SPECIFICATIONS:

Current Rating: 3A AC,DC
Voltage Rating: 250V AC,DC
Temperature Range: -25°C ~ +85°C
Contact Resistance: 20mΩ Max
Insulation Resistance: 1000MΩ Min
Withstanding Voltage: 1000V AC/minute
Material: PBT,UL94V-0(Black)

Ordering Information & Dimensions

Circuits	Dimensions(mm)		Circuits	Dimensions(mm)	
	A	B		A	B
2x2P	2.54	5.08	2x20P	48.26	50.80
2x3P	5.08	7.62	2x21P	50.80	53.34
2x4P	7.62	10.16	2x22P	53.34	55.88
2x5P	10.16	12.70	2x23P	55.88	58.42
2x6P	12.70	15.24	2x24P	58.42	60.96
2x7P	15.24	17.78	2x25P	60.96	63.50
2x8P	17.78	20.32	2x26P	63.50	66.04
2x9P	20.32	22.86	2x27P	66.04	68.58
2x10P	22.86	25.40	2x28P	68.58	71.12
2x11P	25.40	27.94	2x29P	71.12	73.66
2x12P	27.94	30.48	2x30P	73.66	76.20
2x13P	30.48	33.02	2x31P	76.20	78.74
2x14P	33.02	35.56	2x32P	78.74	81.28
2x15P	35.56	38.10	2x33P	81.28	83.82
2x16P	38.10	40.64	2x34P	83.82	86.36
2x17P	40.64	43.18	2x35P	86.36	88.90
2x18P	43.18	45.72	2x36P	88.90	91.44
2x19P	45.72	48.26			



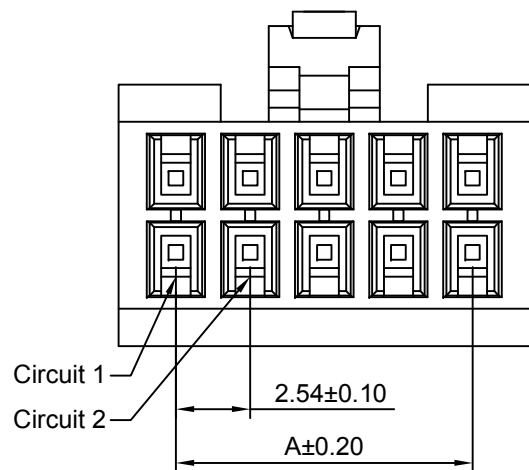
深圳市华德共创科技有限公司

Shenzhen Huade co-create Technology Co.,LTD

TEL : 0755-27129737 FAX : 0755-29940187

-TOLERANCES- UNLESS OTHERWISE SPECIFIED 公差参数表						TITLE: 2.54mm Pitch Housing 产品名称:			
X.X	±0.30	X.X°	±3°	APPD: 核准:	XIE	PART NO: 产品编号: HDGC2549HG-N-2xXP			
X.XX	±0.30	X.XX°	±2°	CHECK: 校对:	WANG	DATE	SCALE	UNIT	CODE NUMBER
X.XXX	±0.10	X.XXX°	±1°	DRAW: 绘图:	WANG	2014-06-10	4:1	mm	A008

修订 REV	标记 MARK	修改摘要 REVISION DESCRIPTION	签名 SIGNATURE	日期 DATE
AO		NEW RELEASE	WANG	2014-06-10

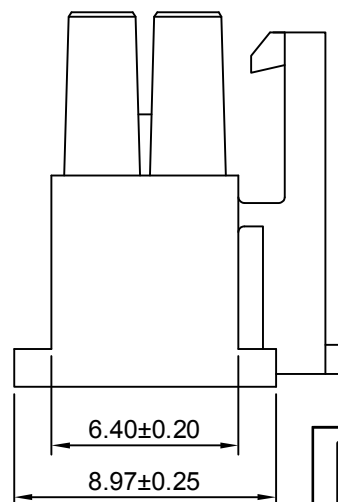
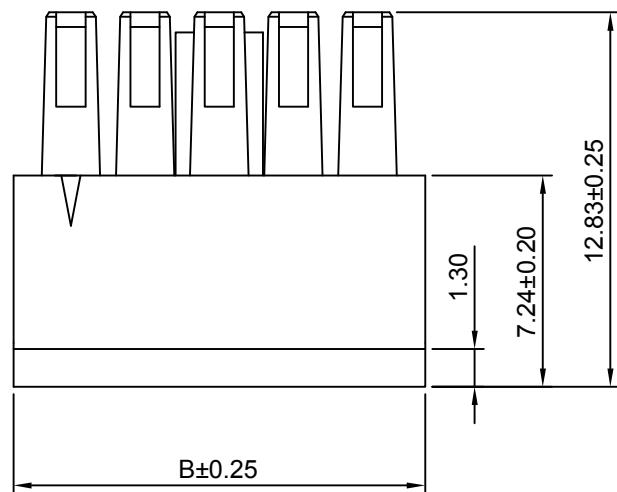


SPECIFICATIONS:

Current Rating: 3A AC,DC
Voltage Rating: 250V AC,DC
Temperature Range: -25°C ~ +85°C
Contact Resistance: 20mΩ Max
Insulation Resistance: 1000MΩ Min
Withstanding Voltage: 1000V AC/minute
Material: Nylon 66,UL94V-0(White)

Ordering Information & Dimensions

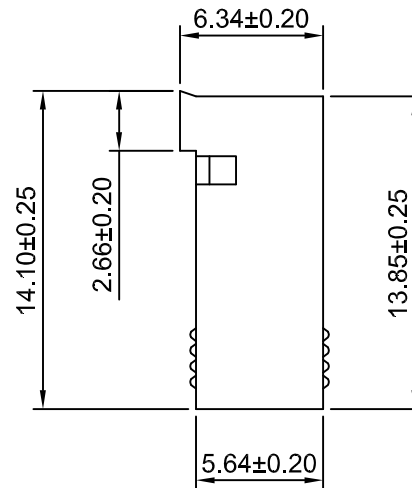
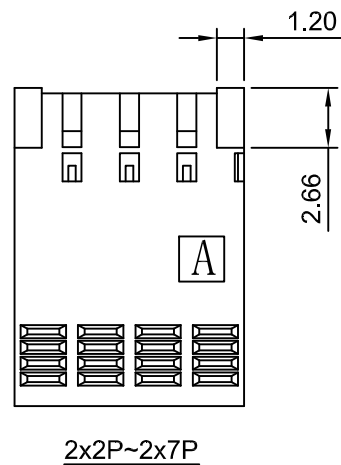
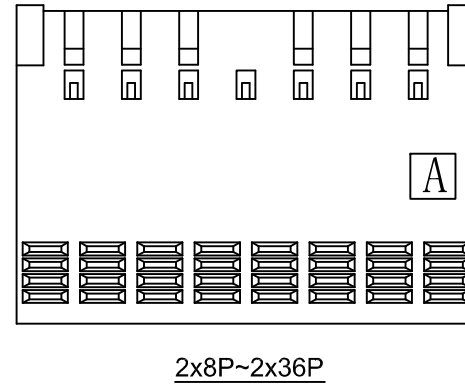
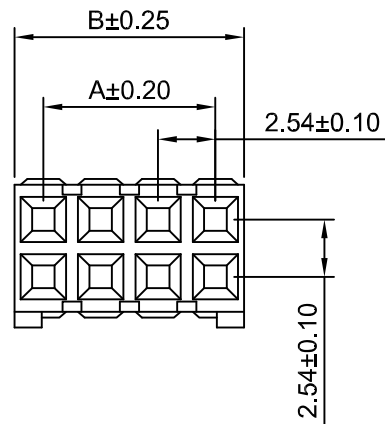
Circuits	Dimensions(mm)		Circuits	Dimensions(mm)	
	A	B		A	B
2x2P	2.54	6.48	2x14P	33.02	36.96
2x3P	5.08	9.02	2x15P	35.56	39.50
2x4P	7.62	11.56	2x16P	38.10	42.04
2x5P	10.16	14.10	2x17P	40.64	44.58
2x6P	12.70	16.64	2x18P	43.18	47.12
2x7P	15.24	19.18	2x19P	45.72	49.66
2x8P	17.78	21.72	2x20P	48.26	52.20
2x9P	20.32	24.26	2x21P	50.80	54.74
2x10P	22.86	26.80	2x22P	53.34	57.28
2x11P	25.40	29.34	2x23P	55.88	59.82
2x12P	27.94	31.88	2x24P	58.42	62.36
2x13P	30.48	34.42	2x25P	60.96	64.90



深圳市华德共创科技有限公司
Shenzhen Huade co-create Technology Co.,LTD
TEL : 0755-27129737 FAX : 0755-29940187

-TOLERANCES- UNLESS OTHERWISE SPECIFIED 公差参数表					TITLE: 2.54mm Pitch Housing 产品名称:			
X.X	±0.30	X.X°	±3°	APPD: 核准:	XIE			
X.XX	±0.30	X.XX°	±2°	CHECK: 校对:	WANG			
X.XXX	±0.10	X.XXX°	±1°	DRAW: 绘图:	WANG			
PART NO: 产品编号:					HDGC2549HI-2xXP			
DATE		SCALE		UNIT		CODE NUMBER		
2014-06-10		4:1		mm		A008		

修订 REV	标记 MARK	修改摘要 REVISION DESCRIPTION	签名 SIGNATURE	日期 DATE
AO		NEW RELEASE	WANG	2014-06-10



SPECIFICATIONS:

Current Rating: 3A AC,DC
Voltage Rating: 250V AC,DC
Temperature Range: -25°C ~ +85°C
Contact Resistance: 20mΩ Max.
Insulation Resistance: 500MΩ Min.
Withstanding Voltage: 1500V AC/minute
Material: PBT, UL94V-0(Black)

Ordering Information & Dimensions

Circuits	Dimensions(mm)		Circuits	Dimensions(mm)	
	A	B		A	B
2x2P	2.54	5.08	2x20P	48.26	50.80
2x3P	5.08	7.62	2x21P	50.80	53.34
2x4P	7.62	10.16	2x22P	53.34	55.88
2x5P	10.16	12.70	2x23P	55.88	58.42
2x6P	12.70	15.24	2x24P	58.42	60.96
2x7P	15.24	17.78	2x25P	60.96	63.50
2x8P	17.78	20.32	2x26P	63.50	66.04
2x9P	20.32	22.86	2x27P	66.04	68.58
2x10P	22.86	25.40	2x28P	68.58	71.12
2x11P	25.40	27.94	2x29P	71.12	73.66
2x12P	27.94	30.48	2x30P	73.66	76.20
2x13P	30.48	33.02	2x31P	76.20	78.74
2x14P	33.02	35.56	2x32P	78.74	81.28
2x15P	35.56	38.10	2x33P	81.28	83.82
2x16P	38.10	40.64	2x34P	83.82	86.36
2x17P	40.64	43.18	2x35P	86.36	88.90
2x18P	43.18	45.72	2x36P	88.90	91.44
2x19P	45.72	48.26			

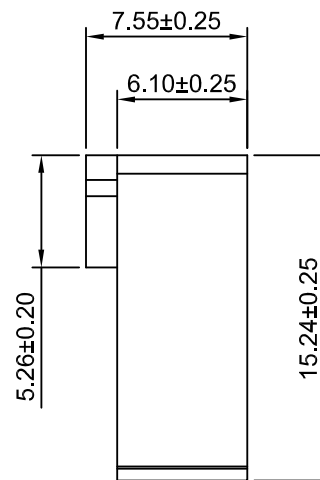
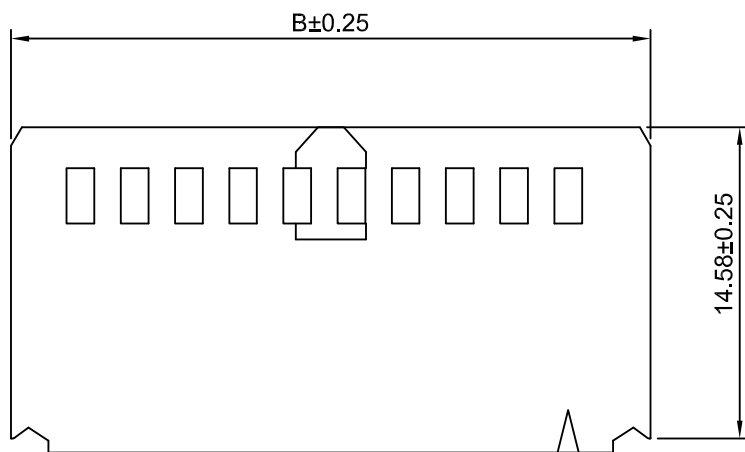
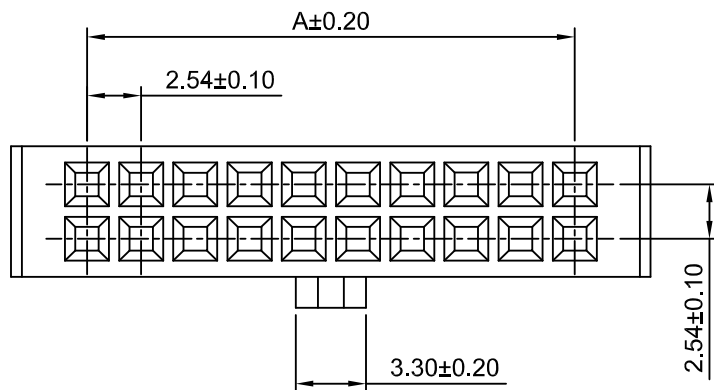


深圳市华德共创科技有限公司

Shenzhen Huade co-create Technology Co.,LTD
TEL : 0755-27129737 FAX : 0755-29940187

-TOLERANCES- UNLESS OTHERWISE SPECIFIED 公差参数表						TITLE: 2.54mm Pitch Housing 产品名称: 2.54mm Pitch Housing			
X.X	±0.30	X.X°	±3°	APPD: 核准:	XIE	PART NO: 产品编号: HDGC2549HK-2xXP			
X.XX	±0.30	X.XX°	±2°	CHECK: 校对:	WANG	DATE	SCALE	UNIT	CODE NUMBER
X.XXX	±0.10	X.XXX°	±1°	DRAW: 绘图:	WANG	2014-06-10	3:1	mm	A008

修订 REV	标记 MARK	修改摘要 REVISION DESCRIPTION	签名 SIGNATURE	日期 DATE
AO		NEW RELEASE	WANG	2016-08-10



SPECIFICATIONS:

Current Rating: 3A AC,DC
Voltage Rating: 250V AC,DC
Temperature Range: -25°C ~ +85°C
Contact Resistance: 20mΩ Max.
Insulation Resistance: 1000MΩ Min.
Withstanding Voltage: 1000V AC/minute
Material: PBT+15%GF, UL94V-0(Black)

Ordering Information & Dimensions

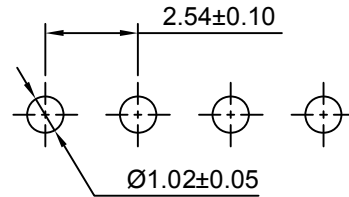
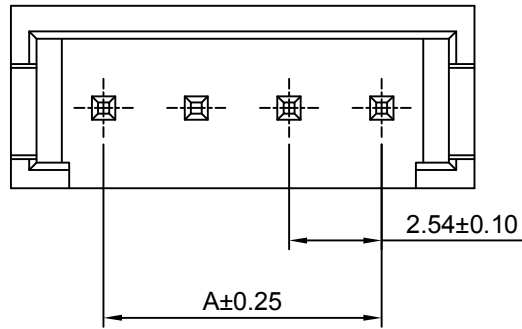
Circuits	Dimensions(mm)		Circuits	Dimensions(mm)	
	A	B		A	B
2x4P	7.62	14.73	2x19P	45.72	52.83
2x5P	10.16	17.27	2x20P	48.26	55.37
2x6P	12.70	19.81	2x21P	50.80	57.91
2x7P	15.24	22.35	2x22P	53.34	60.45
2x8P	17.78	24.89	2x23P	55.88	62.99
2x9P	20.32	27.43	2x24P	58.42	65.53
2x10P	22.86	29.97	2x25P	60.96	68.07
2x11P	25.40	32.51	2x26P	63.50	70.61
2x12P	27.94	35.05	2x27P	66.04	73.15
2x13P	30.48	37.59	2x28P	68.58	75.69
2x14P	33.02	40.13	2x29P	71.12	78.23
2x15P	35.56	42.67	2x30P	73.66	80.77
2x16P	38.10	45.21	2x31P	76.20	83.31
2x17P	40.64	47.75	2x32P	78.74	85.85
2x18P	43.18	50.29			



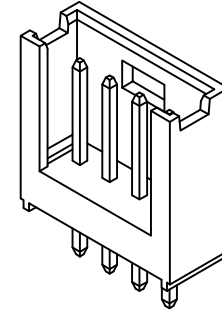
深圳市华德共创科技有限公司
Shenzhen Huade co-create Technology Co.,LTD
TEL : 0755-27129737 FAX : 0755-29940187

-TOLERANCES- UNLESS OTHERWISE SPECIFIED 公差参数表				 	TITLE: 2.54mm Pitch Housing 产品名称: Housing			
X.X	±0.30	X.X°	±3°	APPD: 核准:	XIE			
X.XX	±0.30	X.XX°	±2°	CHECK: 校对:	WANG			
X.XXX	±0.10	X.XXX°	±1°	DRAW: 绘图:	WANG			
				PART NO: 产品编号:	HDGC2549HL-2xXP			
		DATE	SCALE	UNIT	CODE NUMBER			
		2016-08-10	3:1	mm	A008			

修订 REV	标记 MARK	修改摘要 REVISION DESCRIPTION	签名 SIGNATURE	日期 DATE
AO		NEW RELEASE	WANG	2014-06-10



P.C.B LAYOUT

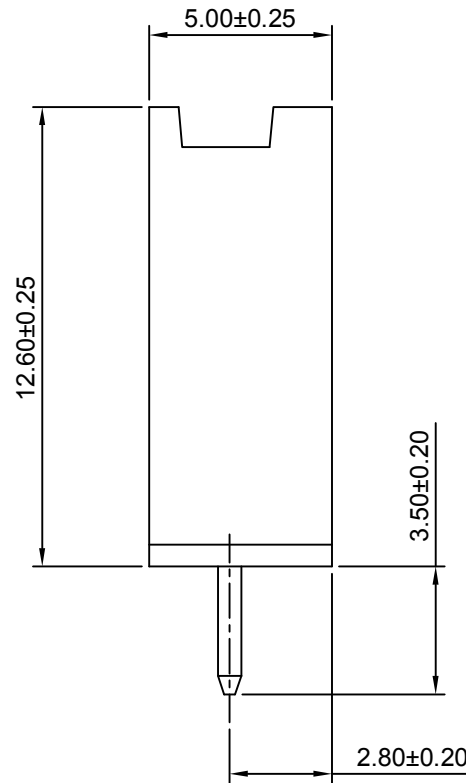
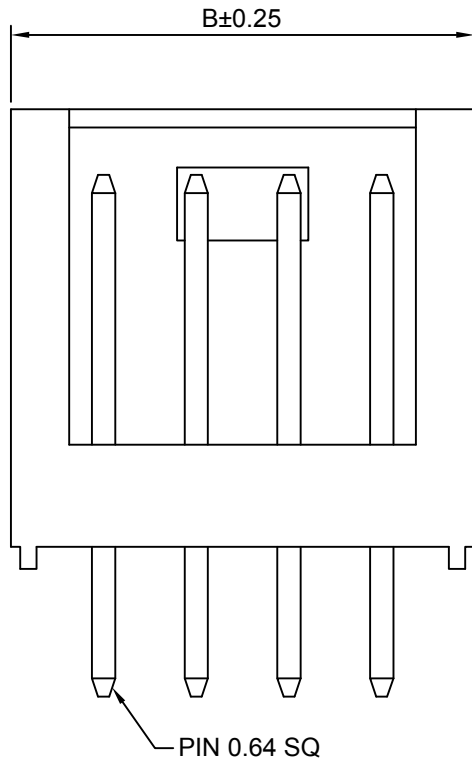


SPECIFICATIONS:

Current Rating: 3A AC,DC
Voltage Rating: 250V AC,DC
Temperature Range: -25°C ~ +85°C
Contact Resistance: 20mΩ Max
Insulation Resistance: 1000MΩ Min
Withstanding Voltage: 1000V AC/minute
Pin Material: Brass/Tin over Nickel
Material: PBT,UL94V-0(Black)


Ordering Information & Dimensions

Circuits	Dimensions(mm)		Circuits	Dimensions(mm)	
	A	B		A	B
2P	2.54	7.62	13P	30.48	35.56
3P	5.08	10.16	14P	33.02	38.10
4P	7.62	12.70	15P	35.56	40.64
5P	10.16	15.24	16P	38.10	43.18
6P	12.70	17.78	17P	40.64	45.72
7P	15.24	20.32	18P	43.18	48.26
8P	17.78	22.86	19P	45.72	50.80
9P	20.32	25.40	20P	48.26	53.34
10P	22.86	27.94	21P	50.80	55.88
11P	25.40	30.48	22P	53.34	58.42
12P	27.94	33.02			



深圳市华德共创科技有限公司

Shenzhen Huade co-create Technology Co.,LTD
TEL : 0755-27129737 FAX : 0755-29940187

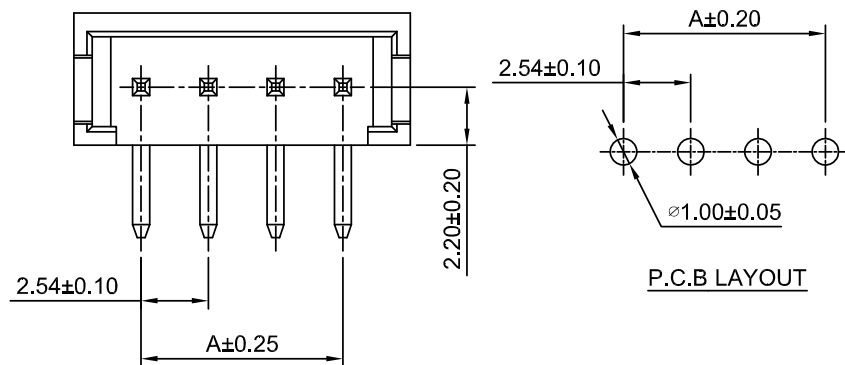
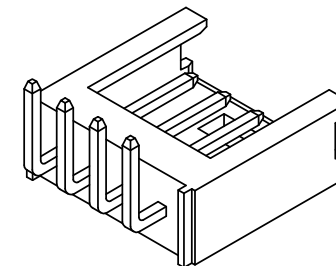
-TOLERANCES- UNLESS OTHERWISE SPECIFIED 公差参数表				 		TITLE: 2.54mm Pitch 产品名称: 180° Wafer			
X.X	±0.30	X.X°	±3°	APPD: 核准:	XIE	PART NO: 产品编号: HDGC2549WV-XP			
X.XX	±0.30	X.XX°	±2°	CHECK: 校对:	WANG	DATE	SCALE	UNIT	CODE NUMBER
X.XXX	±0.10	X.XXX°	±1°	DRAW: 绘图:	WANG	2014-06-10	5:1	mm	A008

修订 REV	标记 MARK	修改摘要 REVISION DESCRIPTION	签名 SIGNATURE	日期 DATE
AO		NEW RELEASE	WANG	2014-06-10

Ordering Information:

HDGC2549WR-XP - *** - *** - ***
1 2 3 4

- Part No.
- Style:
(blank) - Type 1
R - Type 2
- Material:
(blank) - PBT,UL94V-0
GWT - PBT,UL94V-0,GWT 750°C
- Finish:
(blank) - Tin over Nickel
G - Gold over Nickel



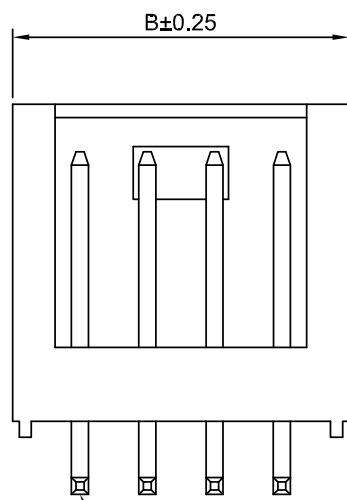
P.C.B LAYOUT

SPECIFICATIONS:

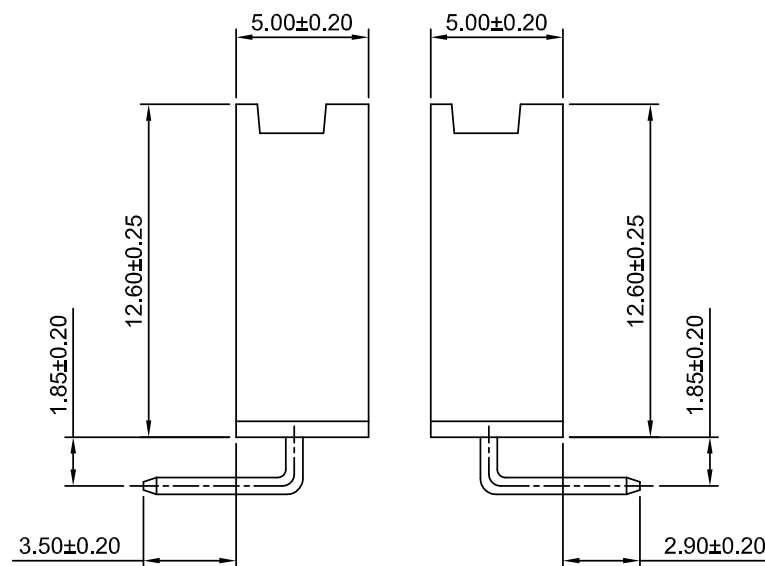
Current Rating: 3A AC,DC
Voltage Rating: 250V AC,DC
Temperature Range: -25°C ~ +85°C
Contact Resistance: 20mΩ Max
Insulation Resistance: 1000MΩ Min
Withstanding Voltage: 1000V AC/minute
Pln Material: Brass/Tin over Nickel
Material: PBT,UL94V-0(Black)

Ordering Information & Dimensions

Circuits	Dimensions(mm)		Circuits	Dimensions(mm)	
	A	B		A	B
2P	2.54	7.62	13P	30.48	35.56
3P	5.08	10.16	14P	33.02	38.10
4P	7.62	12.70	15P	35.56	40.64
5P	10.16	15.24	16P	38.10	43.18
6P	12.70	17.78	17P	40.64	45.72
7P	15.24	20.32	18P	43.18	48.26
8P	17.78	22.86	19P	45.72	50.80
9P	20.32	25.40	20P	48.26	53.34
10P	22.86	27.94	21P	50.80	55.88
11P	25.40	30.48	22P	53.34	58.42
12P	27.94	33.02			



Pin 0.64 SQ



Type 1

Type 2



深圳市华德共创科技有限公司

Shenzhen Huade co-create Technology Co.,LTD

TEL : 0755-27129737 FAX : 0755-29940187

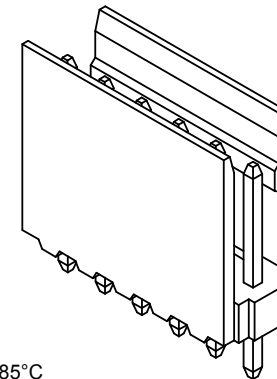
-TOLERANCES- UNLESS OTHERWISE SPECIFIED 公差参数表				TITLE: 产品名称: 2.54mm Pitch 90° Wafer	
X.X	±0.30	X.X°	±3°	APPD: 核准:	XIE
X.XX	±0.30	X.XX°	±2°	CHECK: 校对:	WANG
X.XXX	±0.10	X.XXX°	±1°	DRAW: 绘图:	WANG
PART NO: 产品编号:		HDGC2549WR-XP			
DATE	SCALE	UNIT	CODE NUMBER		
2014-06-10	4:1	mm	A008		

修订 REV	标记 MARK	修改摘要 REVISION DESCRIPTION	签名 SIGNATURE	日期 DATE
AO		NEW RELEASE	WANG	2014-06-10

Ordering Information:

HDGC2549WVB-XP - * - **
1 2 3

- Part No.
- Color:
(Blank);Blue
BK;Black
- Plated:
(blank) : Tin over Nickel
G : Gold over Nickel

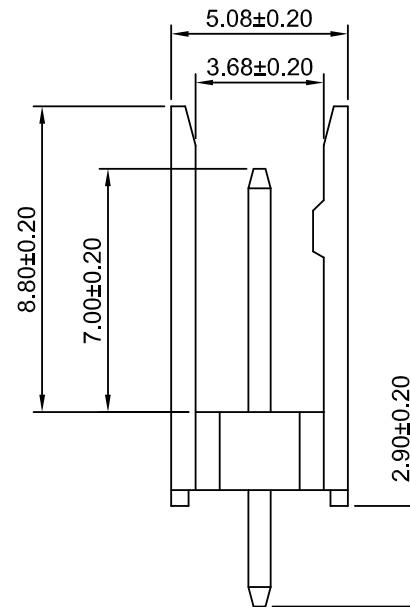
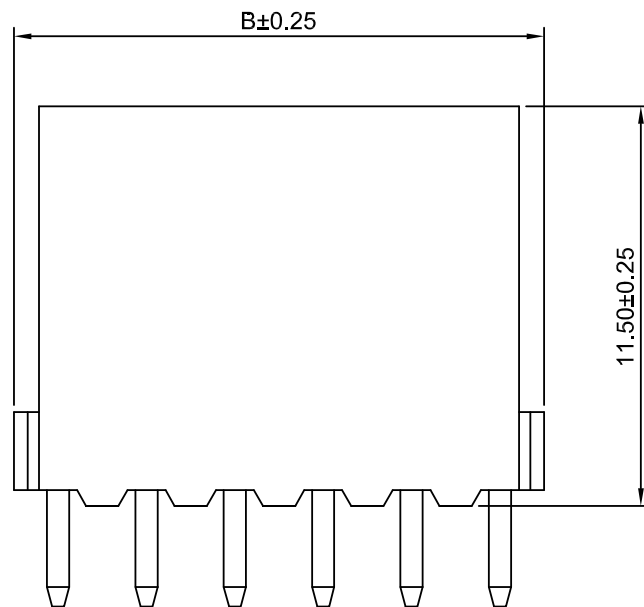
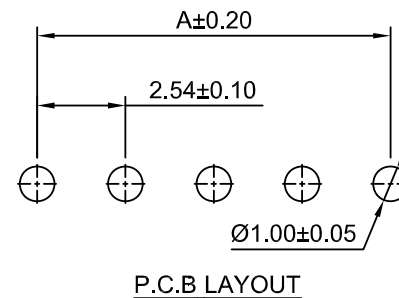
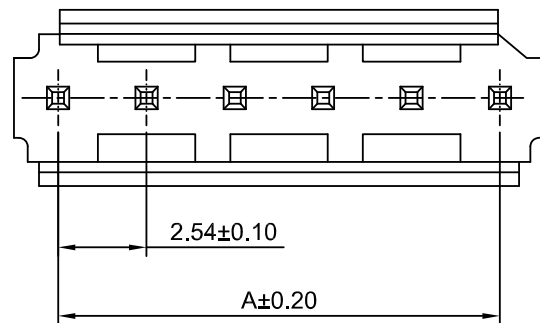


SPECIFICATIONS:

Current Rating: 3A AC,DC
Voltage Rating: 250V AC,DC
Temperature Range: -25°C ~ +85°C
Contact Resistance: 20mΩ Max
Insulation Resistance: 1000MΩ Min
Withstanding Voltage: 1000V AC/minute
Pin Material: Brass/Tin over Nickel
Material: Nylon 66+15%GF,UL94V-0 (Blue)

Ordering Information & Dimensions

Circuits	Dimensions(mm)		Circuits	Dimensions(mm)	
	A	B		A	B
2P	2.54	5.08	11P	25.40	27.94
3P	5.08	7.62	12P	27.94	30.48
4P	7.62	10.16	13P	30.48	33.02
5P	10.16	12.70	14P	33.02	35.56
6P	12.70	15.24	15P	35.56	38.10
7P	15.24	17.78	16P	38.10	40.64
8P	17.78	20.32	17P	40.64	43.18
9P	20.32	22.86	18P	43.18	45.72
10P	22.86	25.40			



PIN 0.64±0.05 SQ



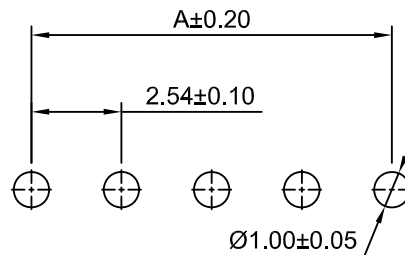
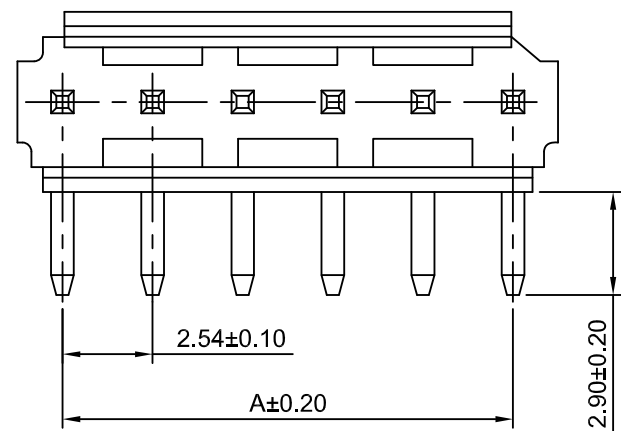
深圳市华德共创科技有限公司

Shenzhen Huade co-create Technology Co.,LTD

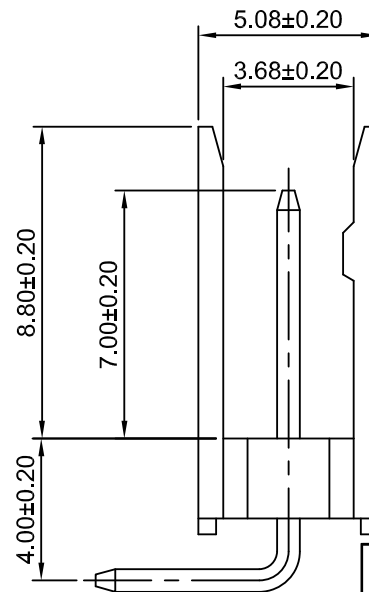
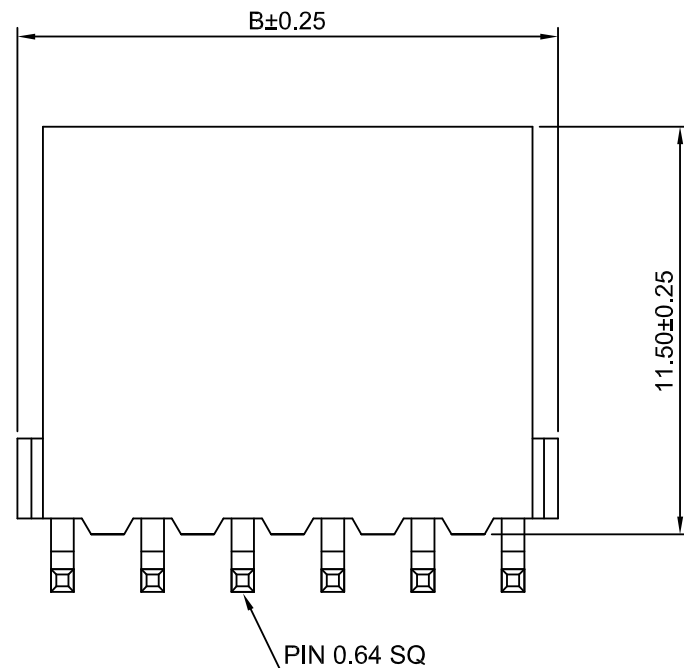
TEL : 0755-27129737 FAX : 0755-29940187

-TOLERANCES- UNLESS OTHERWISE SPECIFIED 公差参数表				TITLE: 产品名称 : 2.54mm Pitch 180° Wafer	
X.X	±0.30	X.X°	±3°	APPD: 核准 :	XIE
X.XX	±0.30	X.XX°	±2°	CHECK: 校对 :	WANG
X.XXX	±0.10	X.XXX°	±1°	DRAW: 绘图 :	WANG
PART NO: 产品编号 :		HDGC2549WVB-XP			
DATE	SCALE	UNIT	CODE NUMBER		
2014-06-10	5:1	mm	A008		

修订 REV	标记 MARK	修改摘要 REVISION DESCRIPTION	签名 SIGNATURE	日期 DATE
AO		NEW RELEASE	WANG	2014-06-10



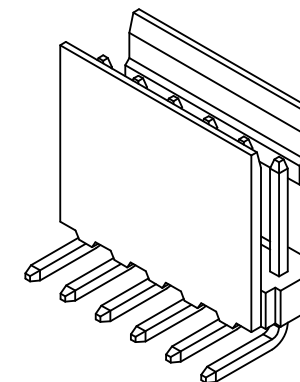
P.C.B LAYOUT



Ordering Information:

HDGC2549WVB-XP - * - **
1 2 3

- Part No.
- Color:
(Blank):Blue
BK:Black
- Plated:
(blank) : Tin over Nickel
G : Gold over Nickel



SPECIFICATIONS:

Current Rating: 3A AC,DC
Voltage Rating: 250V AC,DC
Temperature Range:-25°C ~ +85°C
Contact Resistance: 20mΩ Max
Insulation Resistance: 1000MΩ Min
Withstanding Voltage: 1000V AC/minute
Pin Material: Brass/Tin-plated
Material: Nylon 66+15%GF,UL94V-0(Blue)

Ordering Information & Dimensions

Circuits	Dimensions(mm)		Circuits	Dimensions(mm)	
	A	B		A	B
2P	2.54	5.08	8P	17.78	20.32
3P	5.08	7.62	10P	22.86	25.40
4P	7.62	10.16	12P	27.94	30.48
5P	10.16	12.70	15P	35.56	38.10
6P	12.70	15.24	17P	35.56	43.18
7P	15.24	17.78	18P	35.56	45.72



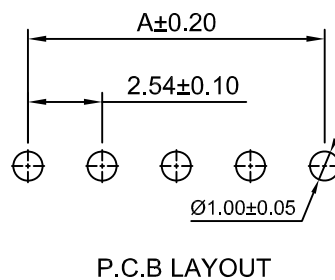
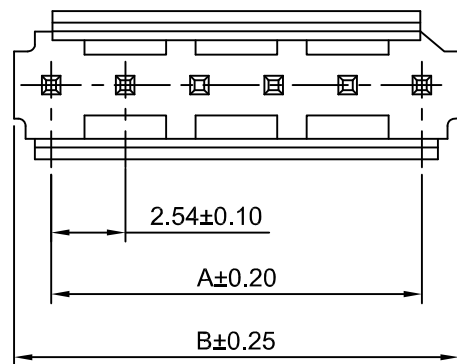
深圳市华德共创科技有限公司

Shenzhen Huade co-create Technology Co.,LTD

TEL : 0755-27129737 FAX : 0755-29940187

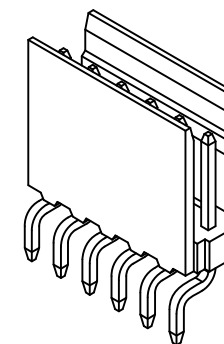
-TOLERANCES- UNLESS OTHERWISE SPECIFIED 公差参数表				 		TITLE: 2.54mm Pitch 产品名称: 90° Wafer			
X.X	±0.30	X.X°	±3°	APPD: 核准:	XIE	PART NO: 产品编号: HDGC2549WRB-XP			
X.XX	±0.30	X.XX°	±2°	CHECK: 校对:	WANG	DATE	SCALE	UNIT	CODE NUMBER
X.XXX	±0.10	X.XXX°	±1°	DRAW: 绘图:	WANG	2014-06-10	5:1	mm	A008

修订 REV	标记 MARK	修改摘要 REVISION DESCRIPTION	签名 SIGNATURE	日期 DATE
AO		NEW RELEASE	WANG	2014-06-10



Ordering Information:
 HDGC2549WRB-S-XP - * - **
 1 2 3

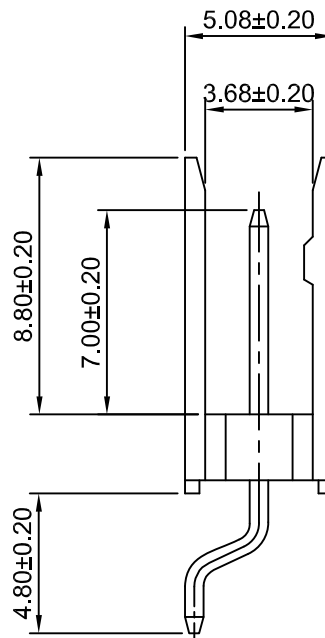
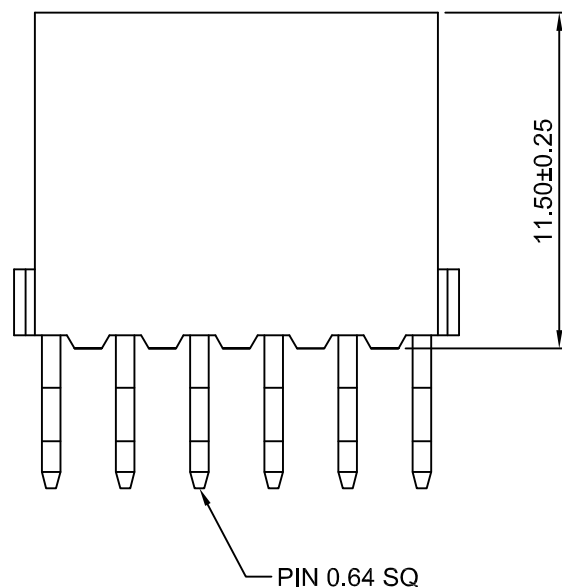
1.Part No.
 2.Color:
 (Blank):Blue
 BK:Black
 3.Plated:
 (blank):Tin over Nickel
 G : Glold over Nickel



SPECIFICATIONS:
 Current Rating: 3A AC,DC
 Voltage Rating: 250V AC,DC
 Temperature Range: -25°C ~ +85°C
 Contact Resistance: 20mΩ Max
 Insulation Resistance: 1000MΩ Min
 Withstanding Voltage: 1000V AC/minute
 Pin Material: Brass/Tin-plated
 Material: Nylon 66+15%GF,UL94V-0(Blue)

Ordering Information & Dimensions

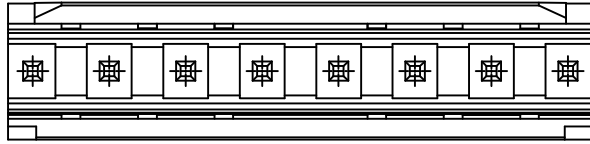
Circuits	Dimensions(mm)		Circuits	Dimensions(mm)	
	A	B		A	B
2P	2.54	5.08	8P	17.78	20.32
3P	5.08	7.62	10P	22.86	25.40
4P	7.62	10.16	12P	27.94	30.48
5P	10.16	12.70	15P	35.56	38.10
6P	12.70	15.24	17P	35.56	43.18
7P	15.24	17.78	18P	35.56	45.72



HDGC 深圳市华德共创科技有限公司
 Shenzhen Huade co-create Technology Co.,LTD
 TEL : 0755-27129737 FAX : 0755-29940187

-TOLERANCES- UNLESS OTHERWISE SPECIFIED 公差参数表				TITLE: 产品名称 : 2.54mm Pitch 90° Wafer	
X.X	±0.30	X.X°	±3°	APPD: 核准 :	XIE
X.XX	±0.30	X.XX°	±2°	CHECK: 校对 :	WANG
X.XXX	±0.10	X.XXX°	±1°	DRAW: 绘图 :	WANG
PART NO: 产品编号 :				HDGC2549WRB-S-XP	
DATE		SCALE	UNIT	CODE NUMBER	
2014-06-10		4:1	mm	A008	

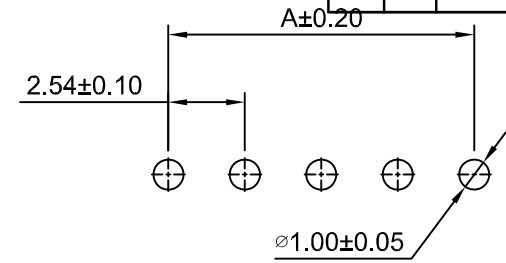
修订 REV	标记 MARK	修改摘要 REVISION DESCRIPTION	签名 SIGNATURE	日期 DATE
AO		NEW RELEASE	WANG	2019-08-10



8P~18P

Ordering Information:
 HDGC2549WVK-XP - ** - ** - ** - **
 1 2 3 4 5

- Part No.
- Color:
(blank):Blue
BK:Black
- Finish:
(blank):Tin over Nickel
G:Gold-flash
G30:30µin (0.76µm) MIN.Select Gold(Mating Area)
100µin (2.54µm) MIN.Select Tin
- Packing:
RE: Tape & Reel
CRE: Tape & Reel with Cap
- Logo & Marking:
(blank):With Mark
NK:Without Mark



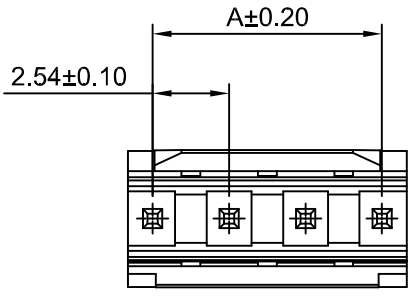
P.C.B LAYOUT

SPECIFICATIONS:

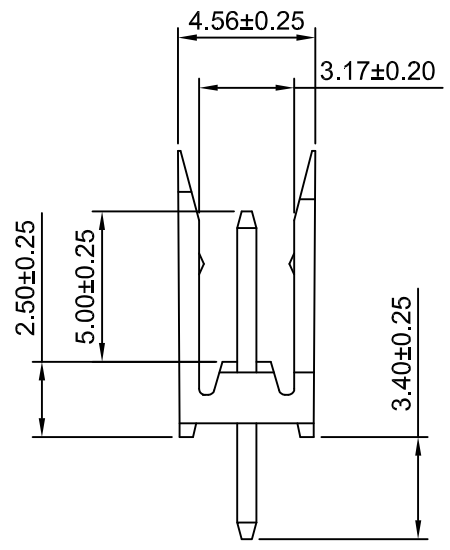
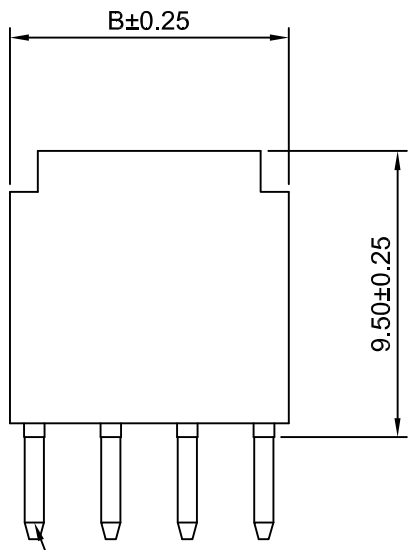
Current Rating: 3A AC,DC
 Voltage Rating: 250V AC,DC
 Temperature Range: -25°C ~ +85°C
 Contact Resistance: 20mΩ Max
 Insulation Resistance: 1000MΩ Min
 Withstanding Voltage: 1000V AC/minute
 Pin Material: Brass/Tin over Nickel
 Material: Nylon 66,UL94V-0 (Blue)

Ordering Information & Dimensions

Circuits	Dimensions(mm)		Circuits	Dimensions(mm)	
	A	B		A	B
2P	2.54	4.18	11P	25.40	27.04
3P	5.08	6.72	12P	27.94	29.58
4P	7.62	9.26	13P	30.48	32.12
5P	10.16	11.80	14P	33.02	34.66
6P	12.70	14.34	15P	35.56	37.20
7P	15.24	16.88	16P	38.10	39.74
8P	17.78	19.42	17P	40.64	42.28
9P	20.32	21.96	18P	43.18	44.82
10P	22.86	24.50			



2P~7P



深圳市华德共创科技有限公司
 Shenzhen Huade co-create Technology Co.,LTD
 TEL : 0755-27129737 FAX : 0755-29940187

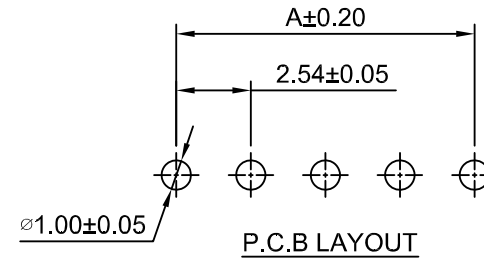
-TOLERANCES- UNLESS OTHERWISE SPECIFIED 公差参数表				TITLE: 2.54mm Pitch 产品名称: 180° Wafer				
X.X	±0.30	X.X°	±3°	APPD: 核准:	XIE			
X.XX	±0.30	X.XX°	±2°	CHECK: 校对:	WANG			
X.XXX	±0.10	X.XXX°	±1°	DRAW: 绘图:	WANG			
				PART NO: 产品编号:	HDGC2549WVK-XP			
				DATE	SCALE	UNIT	CODE NUMBER	
				2019-08-10	4:1	mm	A008	

修订 REV	标记 MARK	修改摘要 REVISION DESCRIPTION	签名 SIGNATURE	日期 DATE
AO		NEW RELEASE	WANG	2019-08-10

Ordering Information:

HDGC2549WRK-XP - $\frac{**}{1}$ - $\frac{**}{2}$ - $\frac{**}{3}$ - $\frac{**}{4}$ - $\frac{**}{5}$

- Part No.
- Color:
(blank):Blue
BK:Black
- Finish:
(blank):Tin over Nickel
G:Gold-flash
G30:30 μ m (0.76 μ m) MIN.Select Gold(Mating Area)
100 μ m (2.54 μ m) MIN.Select Tin
- Packing:
RE: Tape & Reel
CRE: Tape & Reel with Cap
- Logo & Marking:
(blank):With Mark
NK:Without Mark

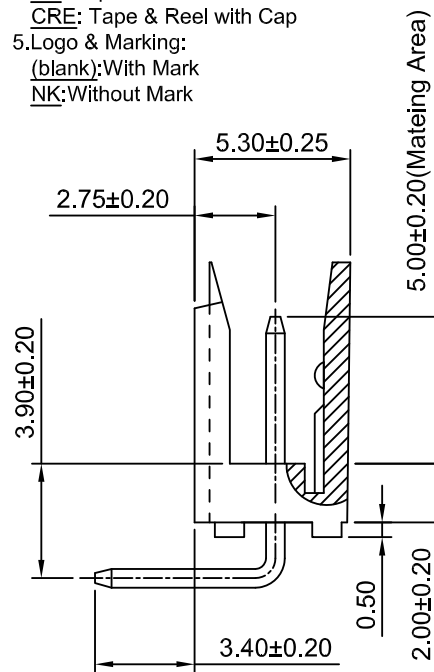
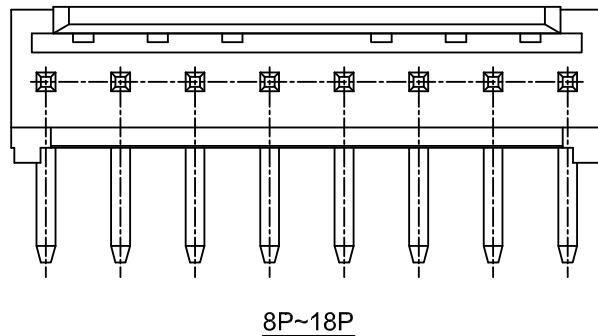
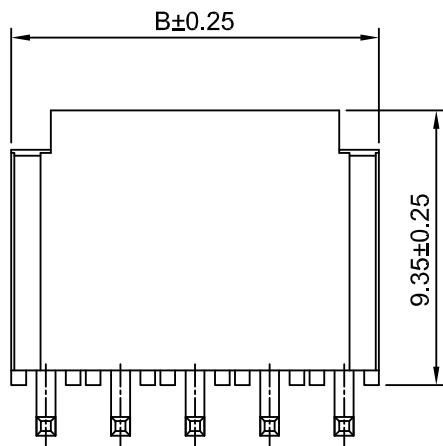
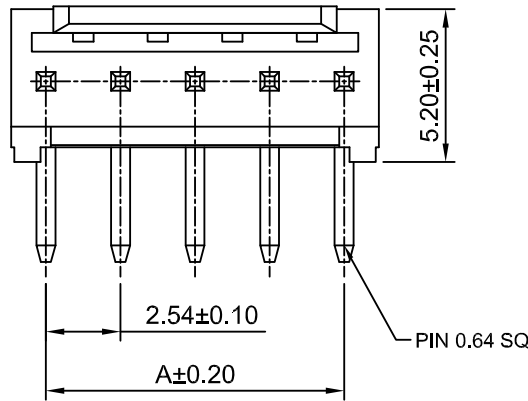


SPECIFICATIONS:

Current Rating: 3A AC,DC
Voltage Rating: 250V AC,DC
Temperature Range: -25°C ~ +85°C
Contact Resistance: 20m Ω Max
Insulation Resistance: 1000M Ω Min
Withstanding Voltage: 1000V AC/minute
Pin Material: Brass/Tin over Nickel
Material: Nylon 66+30%G.F,UL94V-0 (Blue)
Suitable for Reflow soldering : 265°C/10s

Ordering Information & Dimensions

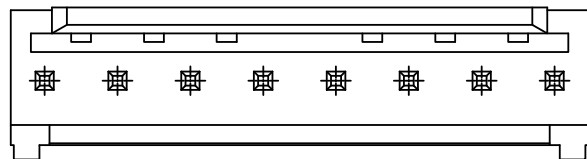
Circuits	Dimensions(mm)		Circuits	Dimensions(mm)	
	A	B		A	B
2P	2.54	4.90	11P	25.40	27.76
3P	5.08	7.44	12P	27.94	30.30
4P	7.62	9.98	13P	30.48	32.84
5P	10.16	12.52	14P	33.02	35.38
6P	12.70	15.06	15P	35.56	37.92
7P	15.24	17.60	16P	38.10	40.46
8P	17.78	20.14	17P	40.64	43.00
9P	20.32	22.68	18P	43.18	45.54
10P	22.86	25.22			



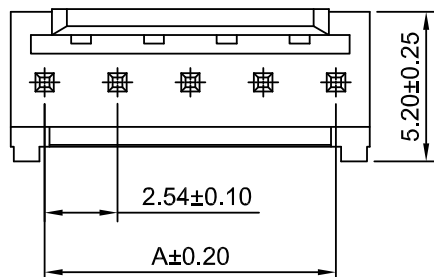
HDGC 深圳市华德共创科技有限公司
Shenzhen Huade co-create Technology Co.,LTD
TEL : 0755-27129737 FAX : 0755-29940187

-TOLERANCES- UNLESS OTHERWISE SPECIFIED 公差参数表						TITLE: 2.54mm Pitch 产品名称: 90° Wafer			
X.X	±0.30	X.X°	±3°	APPD: 核准:	XIE	PART NO: 产品编号: HDGC2549WRK-XP			
X.XX	±0.30	X.XX°	±2°	CHECK: 校对:	WANG	DATE	SCALE	UNIT	CODE NUMBER
X.XXX	±0.10	X.XXX°	±1°	DRAW: 绘图:	WANG	2019-08-10	4:1	mm	A008

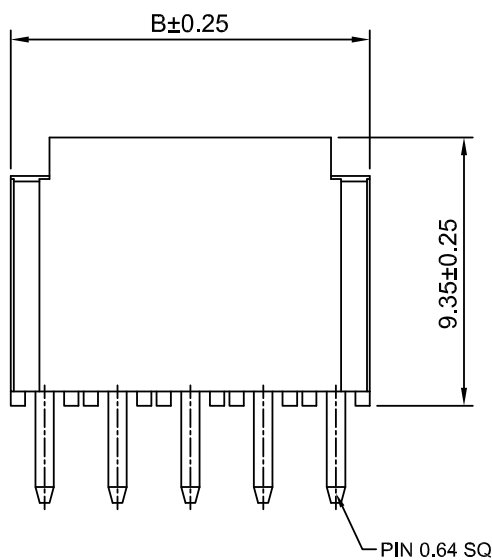
修订 REV	标记 MARK	修改摘要 REVISION DESCRIPTION	签名 SIGNATURE	日期 DATE
AO		NEW RELEASE	WANG	2019-08-10



8P~18P

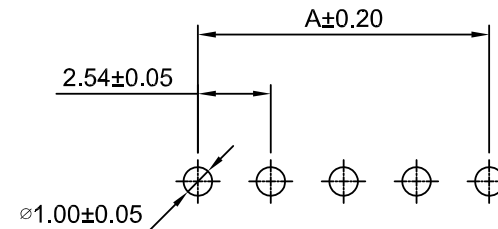


2P~7P



Ordering Information:
HDGC2549WVK-N-XP - ** - ** - ** - **
1 2 3 4 5

- Part No.
- Color:
(blank):Blue
BK:Black
- Finish:
(blank):Tin over Nickel
G:Gold-flash
G30:30µin (0.76µm) MIN.Select Gold(Mating Area)
100µin (2.54µm) MIN.Select Tin
- Packing:
RE: Tape & Reel
CRE: Tape & Reel with Cap
- Logo & Marking:
(blank):With Mark
NK:Without Mark



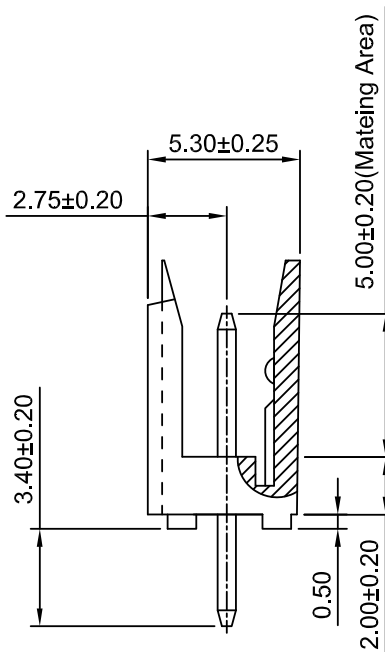
P.C.B LAYOUT

SPECIFICATIONS:

Current Rating: 3A AC,DC
Voltage Rating: 250V AC,DC
Temperature Range: -25°C ~ +85°C
Contact Resistance: 20mΩ Max
Insulation Resistance: 1000MΩ Min
Withstanding Voltage: 1000V AC/minute
Pin Material: Brass/Tin over Nickel
Material: Nylon 66+30%G.F,UL94V-0 (Blue)
Suitable for reflow soldering : 265°C/10s

Ordering Information & Dimensions

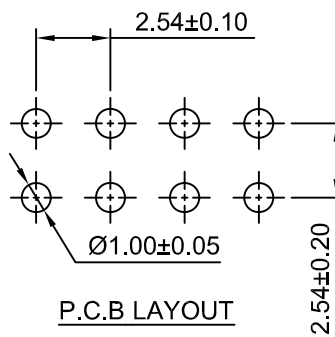
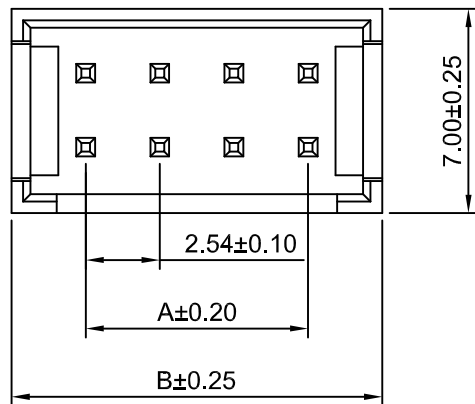
Circuits	Dimensions(mm)		Circuits	Dimensions(mm)	
	A	B		A	B
2P	2.54	4.90	11P	25.40	27.76
3P	5.08	7.44	12P	27.94	30.30
4P	7.62	9.98	13P	30.48	32.84
5P	10.16	12.52	14P	33.02	35.38
6P	12.70	15.06	15P	35.56	37.92
7P	15.24	17.60	16P	38.10	40.46
8P	17.78	20.14	17P	40.64	43.00
9P	20.32	22.68	18P	43.18	45.54
10P	22.86	25.22			



HDGC 深圳市华德共创科技有限公司
Shenzhen Huade co-create Technology Co.,LTD
TEL : 0755-27129737 FAX : 0755-29940187

-TOLERANCES- UNLESS OTHERWISE SPECIFIED 公差参数表						TITLE: 2.54mm Pitch 产品名称: 180° Wafer			
X.X	±0.30	X.X°	±3°	APPD: 核准:	XIE	PART NO: 产品编号: HDGC2549WVK-N-XP			
X.XX	±0.30	X.XX°	±2°	CHECK: 校对:	WANG	DATE	SCALE	UNIT	CODE NUMBER
X.XXX	±0.10	X.XXX°	±1°	DRAW: 绘图:	WANG	2019-08-10	4:1	mm	A008

修订 REV	标记 MARK	修改摘要 REVISION DESCRIPTION	签名 SIGNATURE	日期 DATE
AO		NEW RELEASE	WANG	2014-06-10

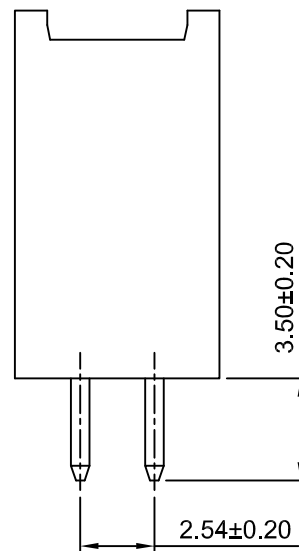
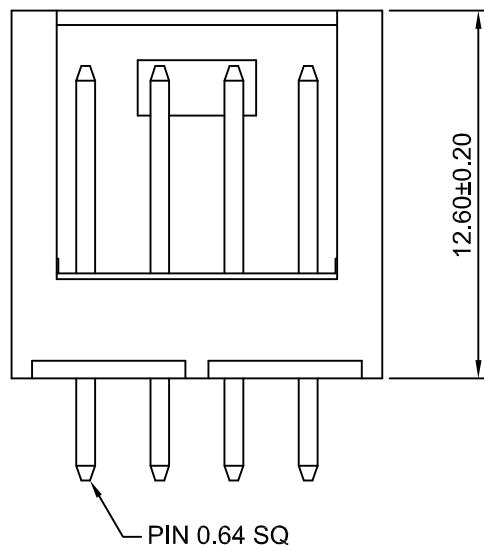


SPECIFICATIONS:

Current Rating: 3A AC,DC
Voltage Rating: 250V AC,DC
Temperature Range: -25°C ~ +85°C
Contact Resistance: 20mΩ Max
Insulation Resistance: 1000MΩ Min
Withstanding Voltage: 1000V AC/minute
Pin Material: Brass/Tin over Nickel
Material: PBT,UL94V-0(Black)

Ordering Information & Dimensions

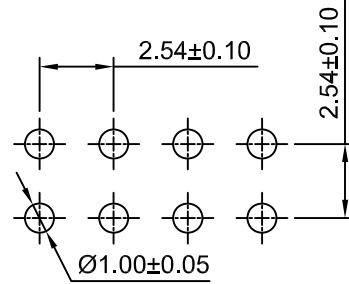
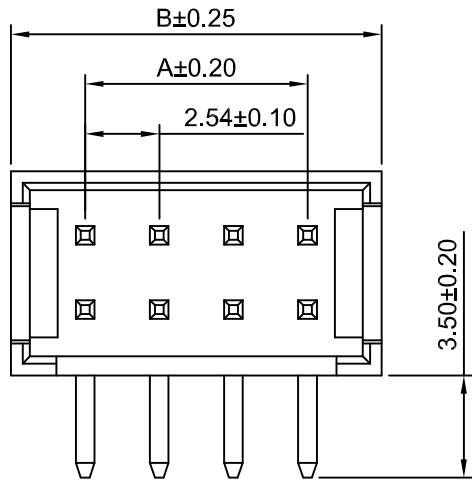
Circuits	Dimensions(mm)		Circuits	Dimensions(mm)	
	A	B		A	B
2x2P	2.54	7.62	2x13P	30.48	35.56
2x3P	5.08	10.16	2x14P	33.02	38.10
2x4P	7.62	12.70	2x15P	35.56	40.64
2x5P	10.16	15.24	2x16P	38.10	43.18
2x6P	12.70	17.78	2x17P	40.64	45.72
2x7P	15.24	20.32	2x18P	43.18	48.26
2x8P	17.78	22.86	2x19P	45.72	50.08
2x9P	20.32	25.40	2x20P	48.26	53.34
2x10P	22.86	27.94	2x21P	50.08	55.88
2x11P	25.40	30.48	2x22P	53.34	58.42
2x12P	27.94	33.02			



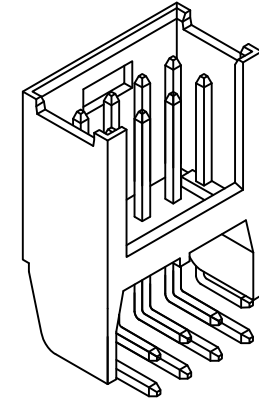
HDGC 深圳市华德共创科技有限公司
Shenzhen Huade co-create Technology Co.,LTD
TEL : 0755-27129737 FAX : 0755-29940187

-TOLERANCES- UNLESS OTHERWISE SPECIFIED 公差参数表				TITLE: 产品名称: 2.54mm Pitch 180° Wafer	
X.X	±0.30	X.X°	±3°	APPD: 核准:	XIE
X.XX	±0.30	X.XX°	±2°	CHECK: 校对:	WANG
X.XXX	±0.10	X.XXX°	±1°	DRAW: 绘图:	WANG
PART NO: 产品编号:			HDGC2549WV-2xXP		
DATE	SCALE	UNIT	CODE NUMBER		
2014-06-10	4:1	mm	A008		

修订 REV	标记 MARK	修改摘要 REVISION DESCRIPTION	签名 SIGNATURE	日期 DATE
AO		NEW RELEASE	WANG	2014-06-10



P.C.B LAYOUT

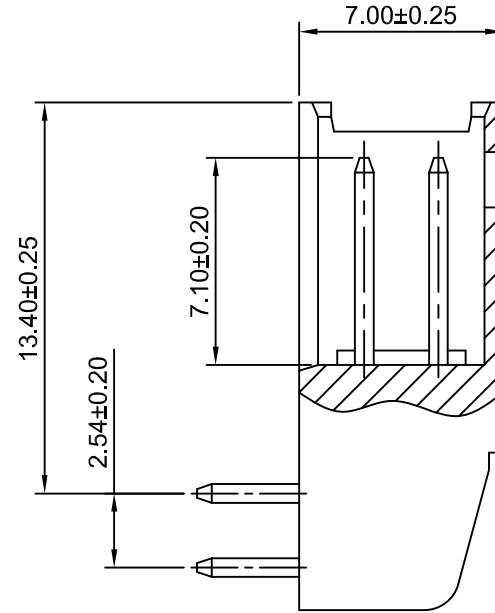
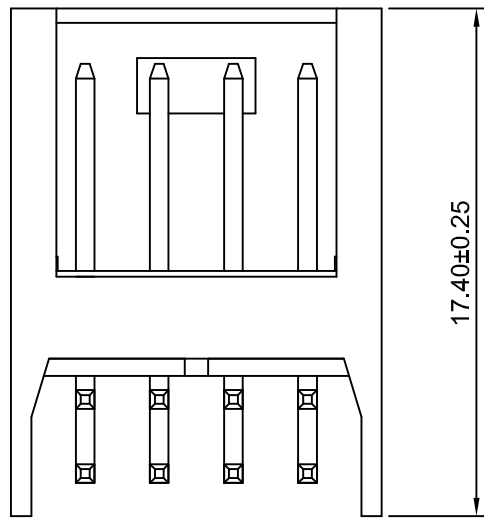


SPECIFICATIONS:

Current Rating: 3A AC,DC
Voltage Rating: 250V AC,DC
Temperature Range: -25°C ~ +85°C
Contact Resistance: 20mΩ Max
Insulation Resistance: 1000MΩ Min
Withstanding Voltage: 1000V AC/minute
Pin Material: Brass/Tin over Nickel
Material: PBT,UL94V-0(Black)

Ordering Information & Dimensions

Circuits	Dimensions(mm)		Circuits	Dimensions(mm)	
	A	B		A	B
2x2P	2.54	7.62	2x13P	30.48	35.56
2x3P	5.08	10.16	2x14P	33.02	38.10
2x4P	7.62	12.70	2x15P	35.56	40.64
2x5P	10.16	15.24	2x16P	38.10	43.18
2x6P	12.70	17.78	2x17P	40.64	45.72
2x7P	15.24	20.32	2x18P	43.18	48.26
2x8P	17.78	22.86	2x19P	45.72	50.08
2x9P	20.32	25.40	2x20P	48.26	53.34
2x10P	22.86	27.94	2x21P	50.80	55.88
2x11P	25.40	30.48	2x22P	53.34	58.42
2x12P	27.94	33.02			



深圳市华德共创科技有限公司

Shenzhen Huade co-create Technology Co.,LTD
TEL : 0755-27129737 FAX : 0755-29940187

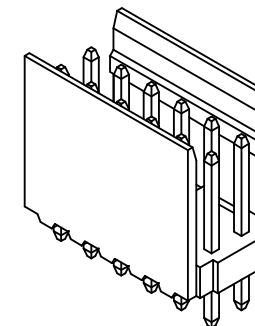
-TOLERANCES- UNLESS OTHERWISE SPECIFIED 公差参数表						TITLE: 2.54mm Pitch 产品名称: 90° Wafer			
X.X	±0.30	X.X°	±3°	APPD: 核准:	XIE	PART NO: 产品编号: HDGC2549WR-2xXP			
X.XX	±0.30	X.XX°	±2°	CHECK: 校对:	WANG	DATE	SCALE	UNIT	CODE NUMBER
X.XXX	±0.10	X.XXX°	±1°	DRAW: 绘图:	WANG	2014-06-10	4:1	mm	A008

修订 REV	标记 MARK	修改摘要 REVISION DESCRIPTION	签名 SIGNATURE	日期 DATE
AO		NEW RELEASE	WANG	2014-06-10

Ordering Information:

HDGC2549WVB-2xXP - * - **
1 2 3

- Part No.
- Color:
(Blank):Blue
BK:Black
- Plated:
(blank):Tin over Nickel
G : Gold over Nickel

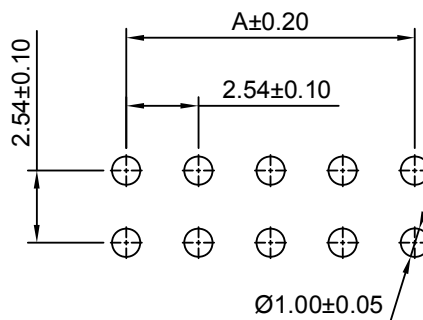
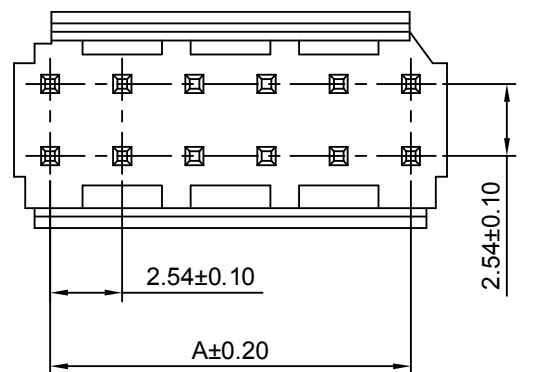


SPECIFICATIONS:

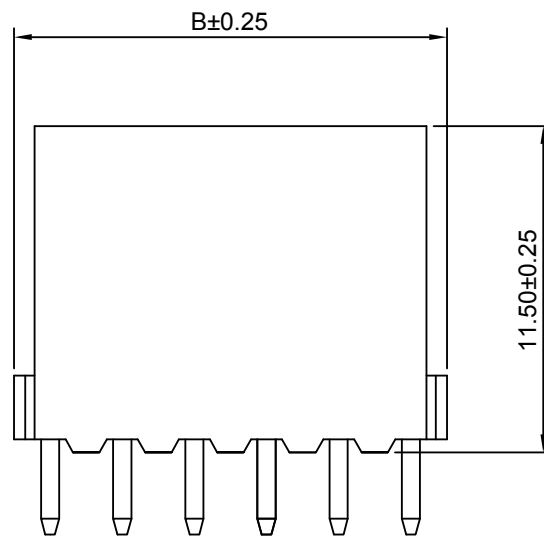
Current Rating: 3A AC,DC
Voltage Rating: 250V AC,DC
Temperature Range: -25°C ~ +85°C
Contact Resistance: 20mΩ Max
Insulation Resistance: 1000MΩ Min
Withstanding Voltage: 1000V AC/minute
Pin Material: Brass/Tin over Nickel
Material: Nylon 66+15%GF,UL94V-0 (Blue)

Ordering Information & Dimensions

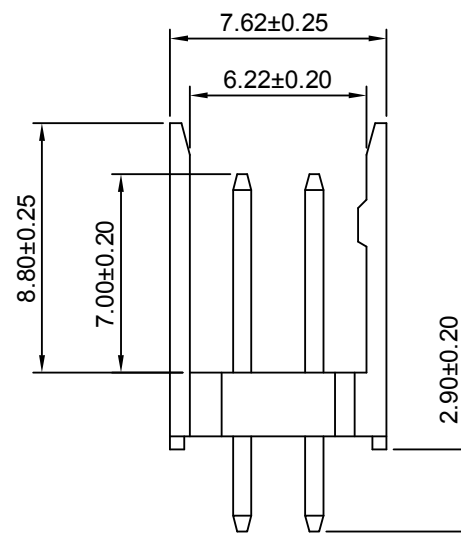
Circuits	Dimensions(mm)		Circuits	Dimensions(mm)	
	A	B		A	B
2x2P	2.54	5.08	2x9P	20.32	22.86
2x3P	5.08	7.62	2x10P	22.86	25.40
2x4P	7.62	10.16	2x12P	27.94	30.48
2x5P	10.16	12.70	2x15P	35.56	38.10
2x6P	12.70	15.24	2x17P	40.64	43.18
2x7P	15.24	17.78	2x18P	43.18	45.72
2x8P	17.78	20.32			



P.C.B LAYOUT



PIN 0.64±0.05 SQ



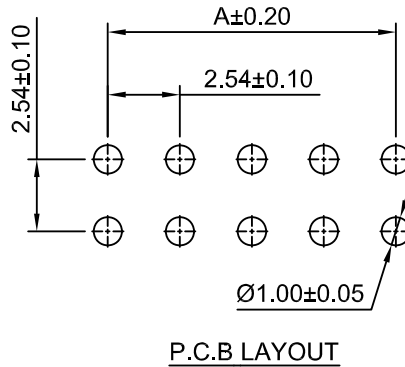
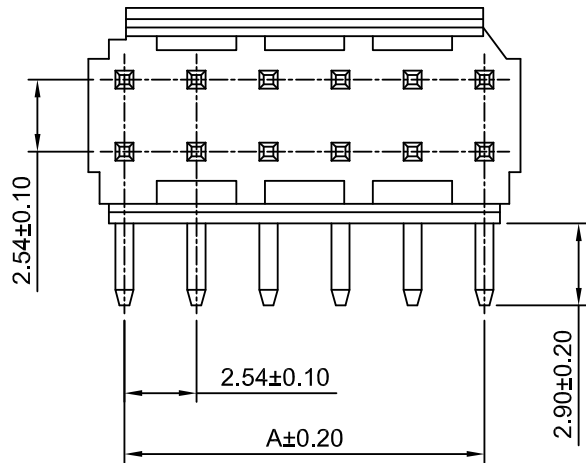
深圳市华德共创科技有限公司

Shenzhen Huade co-create Technology Co.,LTD

TEL : 0755-27129737 FAX : 0755-29940187

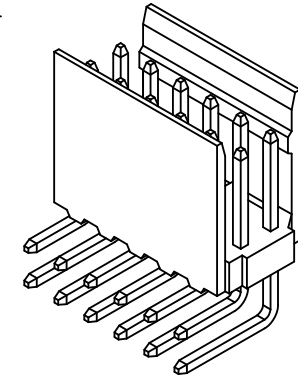
-TOLERANCES- UNLESS OTHERWISE SPECIFIED 公差参数表				TITLE: 产品名称 : 2.54mm Pitch 180° Wafer	
X.X	±0.30	X.X°	±3°	APPD: 核准 :	XIE
X.XX	±0.30	X.XX°	±2°	CHECK: 校对 :	WANG
X.XXX	±0.10	X.XXX°	±1°	DRAW: 绘图 :	WANG
PART NO: 产品编号 :		HDGC2549WVB-2xXP			
DATE	SCALE	UNIT	CODE NUMBER		
2014-06-10	4:1	mm	A008		

修订 REV	标记 MARK	修改摘要 REVISION DESCRIPTION	签名 SIGNATURE	日期 DATE
AO		NEW RELEASE	WANG	2014-06-10



Ordering Information:
 HDGC2549WRB-2xXP - * - **
 1 2 3

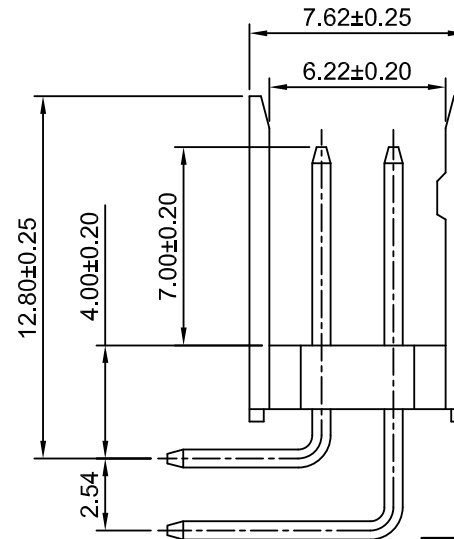
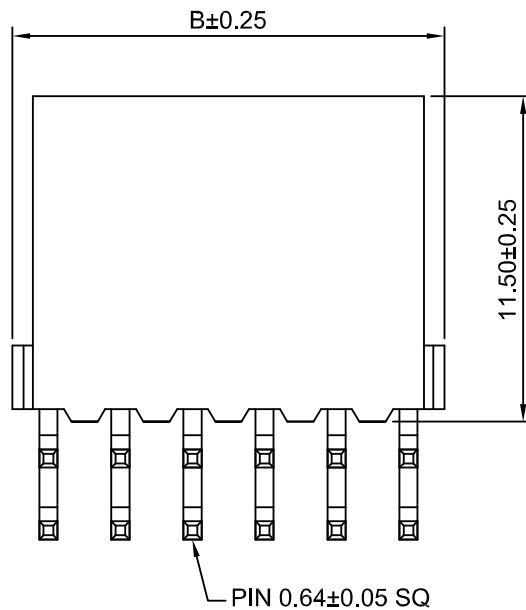
- Part No.
- Color:
 (Blank):Blue
 BK:Black
- Plated:
 (blank):Tin over Nickel
 G : Gold over Nickel



SPECIFICATIONS:
 Current Rating: 3A AC,DC
 Voltage Rating: 250V AC,DC
 Temperature Range: -25°C ~ +85°C
 Contact Resistance: 20mΩ Max
 Insulation Resistance: 1000MΩ Min
 Withstanding Voltage: 1000V AC/minute
 Pin Material: Brass/Tin over Nickel
 Material: Nylon 66+15%GF,UL94V-0 (Blue)

Ordering Information & Dimensions

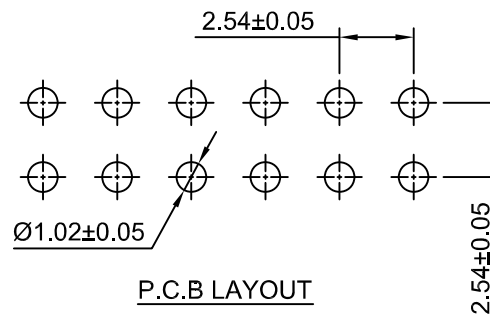
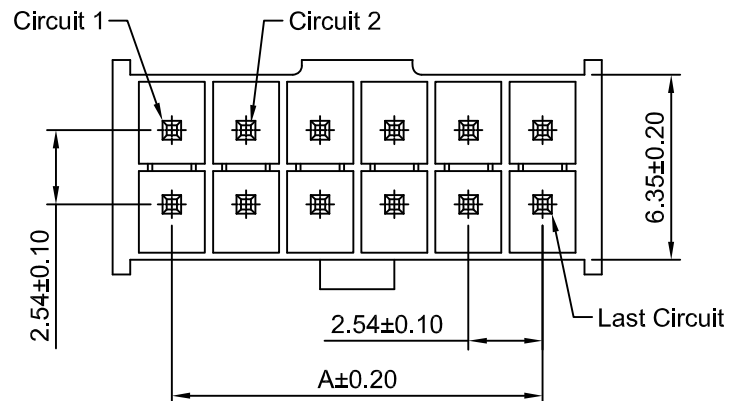
Circuits	Dimensions(mm)		Circuits	Dimensions(mm)	
	A	B		A	B
2x2P	2.54	5.08	2x8P	17.78	20.32
2x3P	5.08	7.62	2x10P	22.86	25.40
2x4P	7.62	10.16	2x12P	27.94	30.48
2x5P	10.16	12.70	2x15P	35.56	38.10
2x6P	12.70	15.24	2x17P	35.56	43.18
2x7P	15.24	17.78	2x18P	35.56	45.72



HDGC 深圳市华德共创科技有限公司
 Shenzhen Huade co-create Technology Co.,LTD
 TEL : 0755-27129737 FAX : 0755-29940187

-TOLERANCES- UNLESS OTHERWISE SPECIFIED 公差参数表				TITLE: 2.54mm Pitch 产品名称: 90° Wafer	
X.X	±0.30	X.X°	±3°	APPD: 核准:	XIE
X.XX	±0.30	X.XX°	±2°	CHECK: 校对:	WANG
X.XXX	±0.10	X.XXX°	±1°	DRAW: 绘图:	WANG
PART NO: 产品编号:			HDGC2549WRB-2xXP		
DATE	SCALE	UNIT	CODE NUMBER		
2014-06-10	4:1	mm	A008		

修订 REV	标记 MARK	修改摘要 REVISION DESCRIPTION	签名 SIGNATURE	日期 DATE
AO		NEW RELEASE	WANG	2014-06-10



Ordering Information:

HDGC2549WVI-XP - **
1 2

1.Part No.

2.Color:

(blank) - Black

WH - White

BG - Beige

SPECIFICATIONS:

Current Rating: 3A AC,DC

Voltage Rating: 250V AC,DC

Temperature Range: -25°C ~ +85°C

Contact Resistance: 20mΩ Max.

Insulation Resistance: 1000MΩ Min.

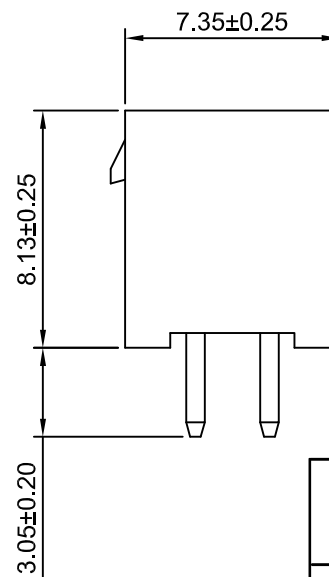
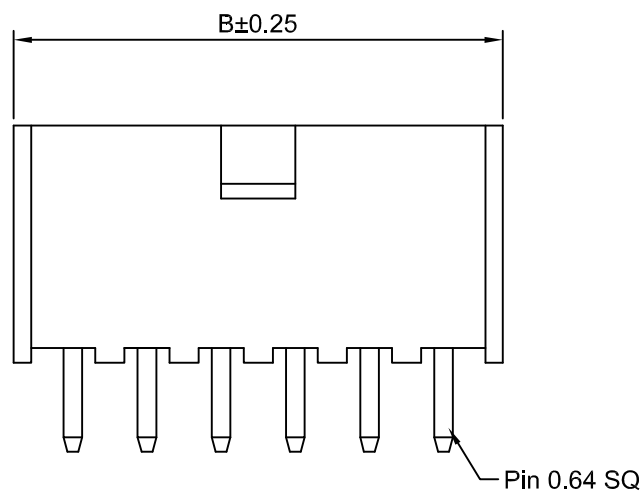
Withstanding Voltage: 1000V AC/minute

Pin Material: Brass/Tin over Nickel

Material: LCP,UL94V-0(Black)

Ordering Information & Dimensions

Circuits	Dimensions(mm)		Circuits	Dimensions(mm)	
	A	B		A	B
2x2P	2.54	6.60	2x9P	20.32	24.38
2x3P	5.08	9.14	2x10P	22.86	26.92
2x4P	7.62	11.68	2x11P	25.40	29.46
2x5P	10.16	14.22	2x12P	27.94	32.00
2x6P	12.70	16.76	2x13P	30.48	34.54
2x7P	15.24	19.30	2x14P	33.02	37.08
2x8P	17.78	21.84	2x15P	35.56	39.62



深圳市华德共创科技有限公司

Shenzhen Huade co-create Technology Co.,LTD

TEL : 0755-27129737 FAX : 0755-29940187

-TOLERANCES- UNLESS OTHERWISE SPECIFIED 公差参数表				TITLE: 产品名称 : 2.54mm Pitch 180° Wafer	
X.X	±0.30	X.X°	±3°	APPD: 核准 :	XIE
X.XX	±0.30	X.XX°	±2°	CHECK: 校对 :	WANG
X.XXX	±0.10	X.XXX°	±1°	DRAW: 绘图 :	WANG
PART NO: 产品编号 :		HDGC2549WVI -2xXP			
DATE	SCALE	UNIT	CODE NUMBER		
2014-06-10	4:1	mm	A008		

修订 REV	标记 MARK	修改摘要 REVISION DESCRIPTION	签名 SIGNATURE	日期 DATE
AO		NEW RELEASE	WANG	2014-06-10

Ordering Information:

HDGC2549WRI-XP - ** - *** - ***
1 2 3 4

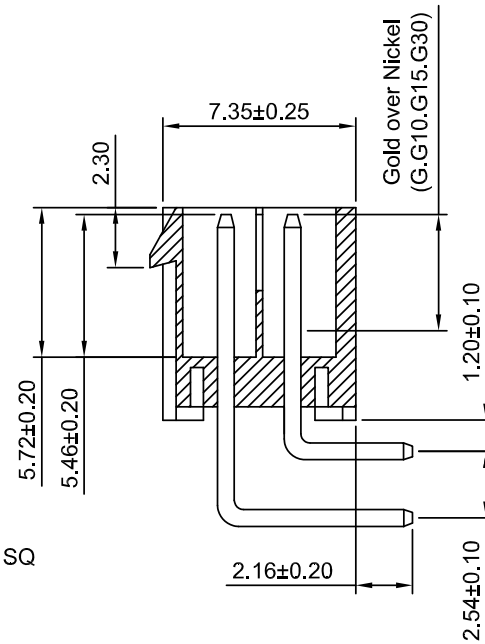
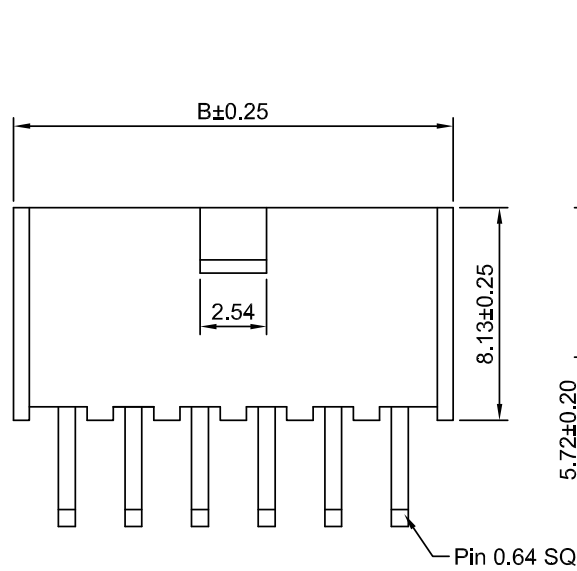
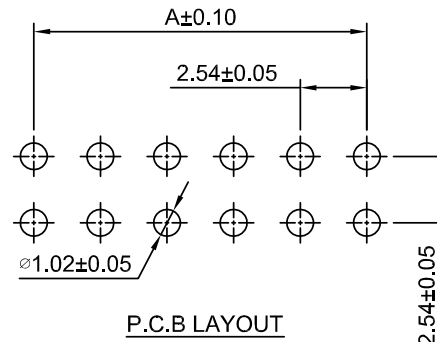
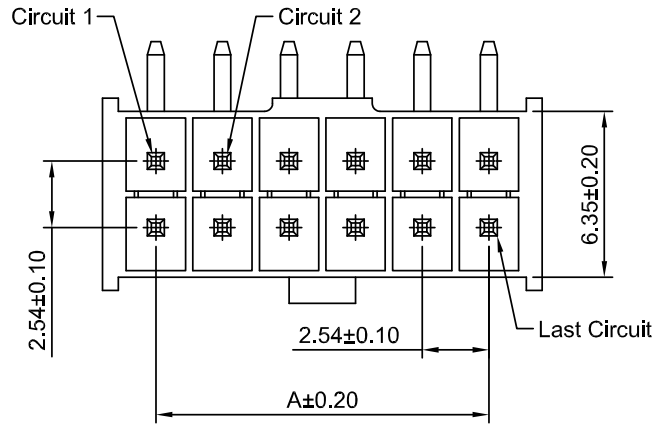
- Part No.
- Material:
(blank):LCP,UL94V-0
GWT:LCP,UL94V-0,GWT 750 °C
- Color:
(blank):Ivory
BK:Black
WH:White
BE:Belge
- Finish:
(blank):Tin over Nickel
G:1µin(0.025µm)MIN.Select Gold
100µIn(2.54µm)MIN.Select Tin
G10:10µin(0.25µm)MIN.Select Gold
100µin(2.54µm)MIN.Select Tin
G15:15µin(0.38µm)MIN.Select Gold
100µin(2.54µm)MIN.Select Tin
G30:30µin(0.76µm)MIN.Select Gold
100µin(2.54µm)MIN.Select Tin

SPECIFICATIONS:

Current Rating: 3A AC,DC
Voltage Rating: 250V AC,DC
Temperature Range: -25°C ~ +85°C
Contact Resistance: 20mΩ Max.
Insulation Resistance: 1000MΩ Min.
Withstanding Voltage: 1000V AC/minute
Pin Material: Brass/Tin over Nickel
Material: LCP,UL94V-0(Ivory)

Ordering Information & Dimensions

Circuits	Dimensions(mm)		Circuits	Dimensions(mm)	
	A	B		A	B
2x2P	2.54	6.60	2x14P	33.02	37.08
2x3P	5.08	9.14	2x15P	35.56	39.62
2x4P	7.62	11.68	2x16P	38.10	42.16
2x5P	10.16	14.22	2x17P	40.64	44.70
2x6P	12.70	16.76	2x18P	43.18	47.24
2x7P	15.24	19.30	2x19P	45.72	49.78
2x8P	17.78	21.84	2x20P	48.26	52.32
2x9P	20.32	24.38	2x21P	50.80	54.86
2x10P	22.86	26.92	2x22P	53.34	57.40
2x11P	25.40	29.46	2x23P	55.88	59.94
2x12P	27.94	32.00	2x24P	58.42	62.48
2x13P	30.48	34.54	2x25P	60.96	65.02



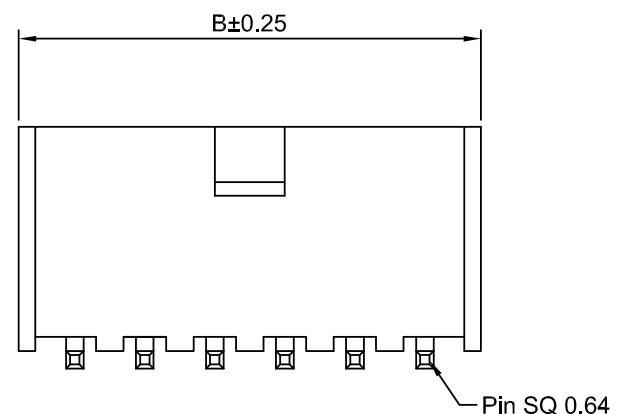
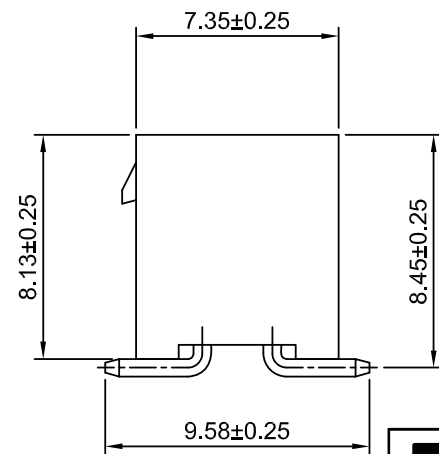
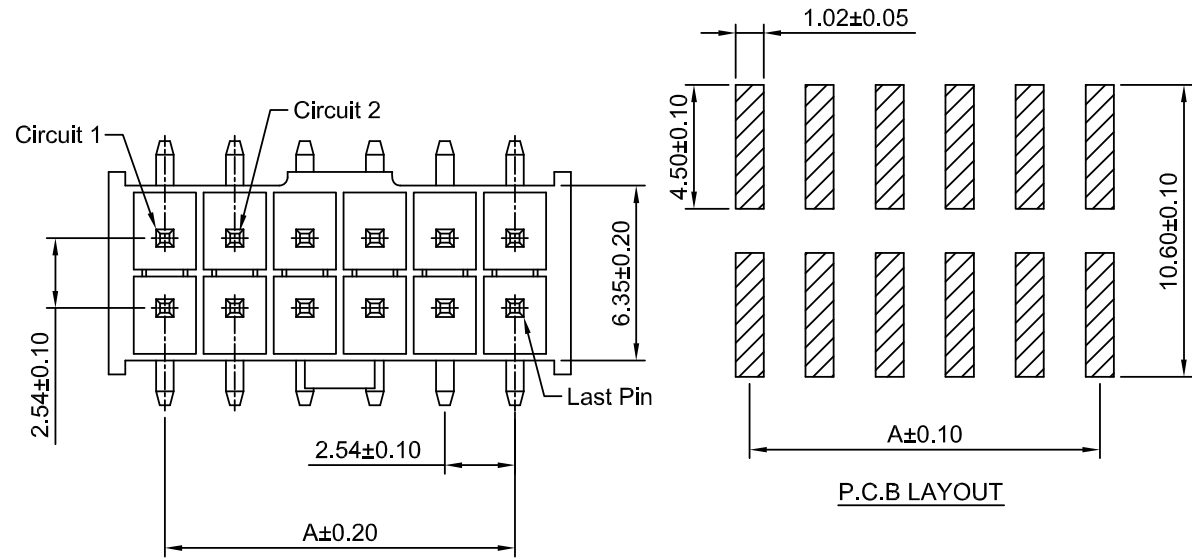
深圳市华德共创科技有限公司

Shenzhen Huade co-create Technology Co.,LTD

TEL : 0755-27129737 FAX : 0755-29940187

-TOLERANCES- UNLESS OTHERWISE SPECIFIED 公差参数表				TITLE: 产品名称: 2.54mm Pitch 90° Wafer	
X.X	±0.30	X.X°	±3°	APPD: 核准:	XIE
X.XX	±0.30	X.XX°	±2°	CHECK: 校对:	WANG
X.XXX	±0.10	X.XXX°	±1°	DRAW: 绘图:	WANG
PART NO: 产品编号:		HDGC2549WRI-2xXP			
DATE	SCALE	UNIT	CODE NUMBER		
2014-06-10	4:1	mm	A008		

修订 REV	标记 MARK	修改摘要 REVISION DESCRIPTION	签名 SIGNATURE	日期 DATE
AO		NEW RELEASE	WANG	2014-06-10



Ordering Information:
 HDGC2549WVI-S-XP - **
 1 2

- 1.Part No.
- 2.Color:
 (blank) - Black
 WH - White
 BG - Beige

SPECIFICATIONS:
 Current Rating: 3A AC,DC
 Voltage Rating: 250V AC,DC
 Temperature Range: -25°C ~ +85°C
 Contact Resistance: 20mΩ Max.
 Insulation Resistance: 1000MΩ Min.
 Withstanding Voltage: 1000V AC/minute
 Pin Material: Brass/Tin over Nickel
 Material: LCP,UL94V-0(Ivory)

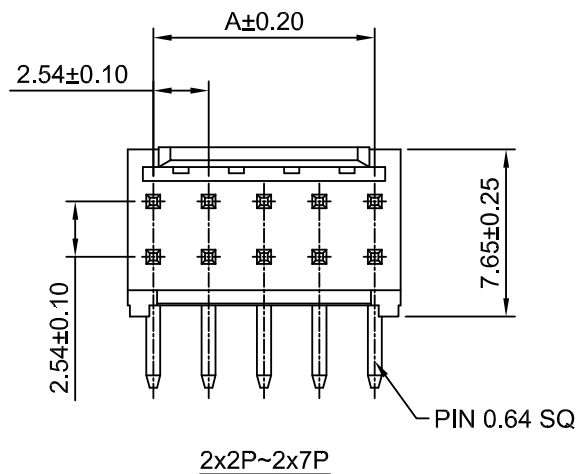
Ordering Information & Dimensions

Circuits	Dimensions(mm)		Circuits	Dimensions(mm)	
	A	B		A	B
2x2P	2.54	6.60	2x9P	20.32	24.38
2x3P	5.08	9.14	2x10P	22.86	26.92
2x4P	7.62	11.68	2x11P	25.40	29.46
2x5P	10.16	14.22	2x12P	27.94	32.00
2x6P	12.70	16.76	2x13P	30.48	34.54
2x7P	15.24	19.30	2x14P	33.02	37.08
2x8P	17.78	21.84	2x15P	35.56	39.62

HDGC 深圳市华德共创科技有限公司
 Shenzhen Huade co-create Technology Co.,LTD
 TEL : 0755-27129737 FAX : 0755-29940187

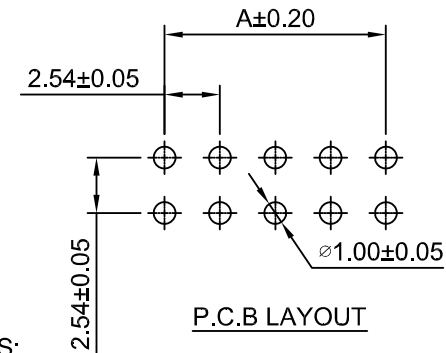
-TOLERANCES- UNLESS OTHERWISE SPECIFIED 公差参数表				TITLE: 2.54mm Pitch 产品名称: 180° Wafer				
X.X	±0.30	X.X°	±3°	APPD: 核准:	XIE			
X.XX	±0.30	X.XX°	±2°	CHECK: 校对:	WANG			
X.XXX	±0.10	X.XXX°	±1°	DRAW: 绘图:	WANG			
				PART NO: 产品编号:	HDGC2549WVI-S-2xXP			
				DATE	SCALE	UNIT	CODE NUMBER	
				2014-06-10	4:1	mm	A008	

修订 REV	标记 MARK	修改摘要 REVISION DESCRIPTION	签名 SIGNATURE	日期 DATE
AO		NEW RELEASE	WANG	2019-08-10



Ordering Information:
 HDGC2549WRK-2xXP - *** - ** - ** - ***
 1 2 3 4 5

- Part No.
- Color:
 (blank):Blue
 BK:Black
- Finish:
 (blank):Tin over Nickel
 G:Gold-flash
 G30:30µin (0.76µm) MIN.Select Gold(Mating Area)
 100µin (2.54µm) MIN.Select Tin
- Packing:
 RE: Tape & Reel
 CRE: Tape & Reel with Cap
- Logo & Marking:
 (blank):With Mark
 NK:Without Mark

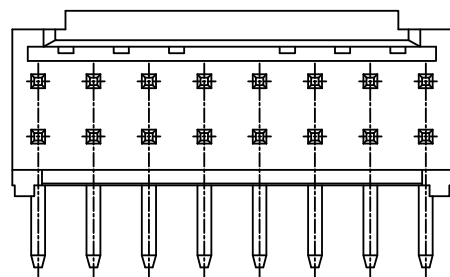
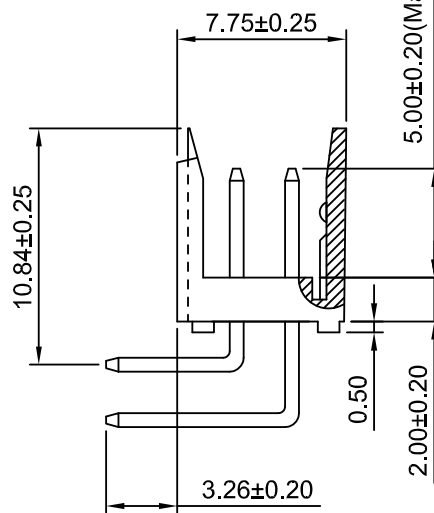
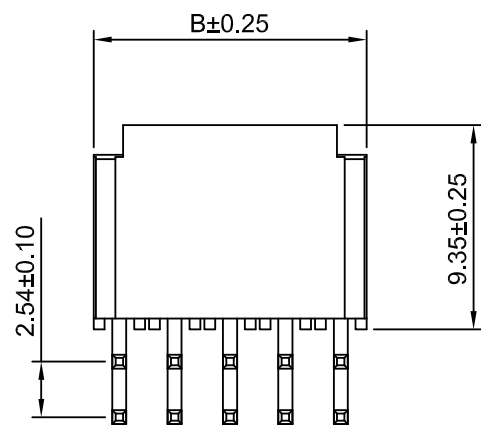


SPECIFICATIONS:

Current Rating: 3A AC,DC
 Voltage Rating: 250V AC,DC
 Temperature Range: -25°C ~ +85°C
 Contact Resistance: 20mΩ Max
 Insulation Resistance: 1000MΩ Min
 Withstanding Voltage: 1000V AC/minute
 Pin Material: Brass/Tin over Nickel
 Material: Nylon 66+30%G.F,UL94V-0 (Blue)
 Suitable for Reflow soldering: 265°C/10s

Ordering Information & Dimensions

Circuits	Dimensions(mm)		Circuits	Dimensions(mm)	
	A	B		A	B
2x2P	2.54	4.90	2x11P	25.40	27.76
2x3P	5.08	7.44	2x12P	27.94	30.30
2x4P	7.62	9.98	2x13P	30.48	32.84
2x5P	10.16	12.52	2x14P	33.02	35.38
2x6P	12.70	15.06	2x15P	35.56	37.92
2x7P	15.24	17.60	2x16P	38.10	40.46
2x8P	17.78	20.14	2x17P	40.64	43.00
2x9P	20.32	22.68	2x18P	43.18	45.54
2x10P	22.86	25.22			



2x8P~2x18P



深圳市华德共创科技有限公司

Shenzhen Huade co-create Technology Co.,LTD

TEL : 0755-27129737 FAX : 0755-29940187

-TOLERANCES- UNLESS OTHERWISE SPECIFIED 公差参数表				TITLE: 产品名称: 2.54mm Pitch 90° Wafer				
X.X	±0.30	X.X°	±3°	APPD: 核准: XIE	PART NO: 产品编号: HDGC2549WRK-2xXP			
X.XX	±0.30	X.XX°	±2°	CHECK: 校对: WANG	DATE	SCALE	UNIT	CODE NUMBER
X.XXX	±0.10	X.XXX°	±1°	DRAW: 绘图: WANG	2019-08-10	3:1	mm	A008

修订 REV	标记 MARK	修改摘要 REVISION DESCRIPTION	签名 SIGNATURE	日期 DATE
AO		NEW RELEASE	WANG	2019-08-10

Ordering Information:
 HDGC2549WVK-N-2xXP - *** - ***
 1 2 3

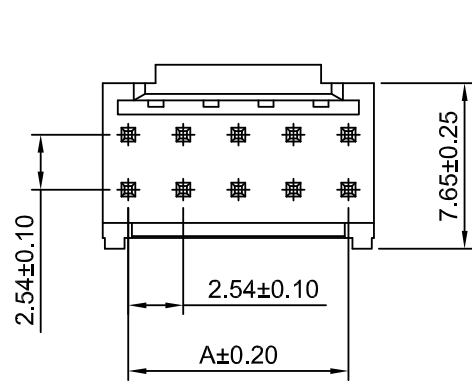
- Part No.
- Color:
 (blank):Blue
 BK:Black
- Finish:
 (blank):Tin over Nickel
 G:Gold-flash
 G30:30µin (0.76µm) MIN.Select Gold(Mating Area)
 100µin (2.54µm) MIN.Select Tin

SPECIFICATIONS:

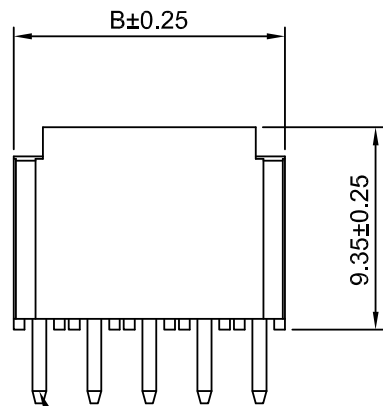
Current Rating: 3A AC,DC
 Voltage Rating: 250V AC,DC
 Temperature Range: -25°C ~ +85°C
 Contact Resistance: 20mΩ Max
 Insulation Resistance: 1000MΩ Min
 Withstanding Voltage: 1000V AC/minute
 Pin Material: Brass/Tin over Nickel
 Material: Nylon 66+30%G.F,UL94V-0 (Blue)
 Suitable for Reflow soldering: 265°C/10s

Ordering Information & Dimensions

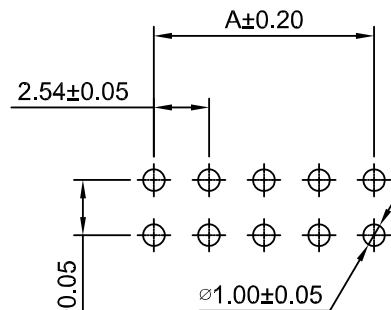
Circuits	Dimensions(mm)		Circuits	Dimensions(mm)	
	A	B		A	B
2x2P	2.54	4.90	2x11P	25.40	27.76
2x3P	5.08	7.44	2x12P	27.94	30.30
2x4P	7.62	9.98	2x13P	30.48	32.84
2x5P	10.16	12.52	2x14P	33.02	35.38
2x6P	12.70	15.06	2x15P	35.56	37.92
2x7P	15.24	17.60	2x16P	38.10	40.46
2x8P	17.78	20.14	2x17P	40.64	43.00
2x9P	20.32	22.68	2x18P	43.18	45.54
2x10P	22.86	25.22			



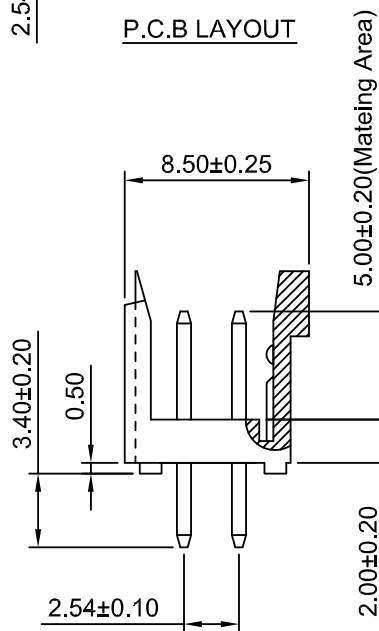
2x2P~2x7P



2x8P~2x18P



P.C.B LAYOUT



深圳市华德共创科技有限公司

Shenzhen Huade co-create Technology Co.,LTD
 TEL : 0755-27129737 FAX : 0755-29940187

-TOLERANCES- UNLESS OTHERWISE SPECIFIED 公差参数表					TITLE: 2.54mm Pitch 产品名称: 180° Wafer			
X.X	±0.30	X.X° ±3°	APPD: 核准:	XIE	PART NO: 产品编号: HDGC2549WVK-N-2xXP			
X.XX	±0.30	X.XX° ±2°	CHECK: 校对:	WANG	DATE	SCALE	UNIT	CODE NUMBER
X.XXX	±0.10	X.XXX° ±1°	DRAW: 绘图:	WANG	2019-08-10	3:1	mm	A008

修订 REV	标记 MARK	修改摘要 REVISION DESCRIPTION	签名 SIGNATURE	日期 DATE
AO		NEW RELEASE	WANG	2019-08-10

Ordering Information:

HDGC2549WRK-N-2xXP - *** - ***
1 2 3

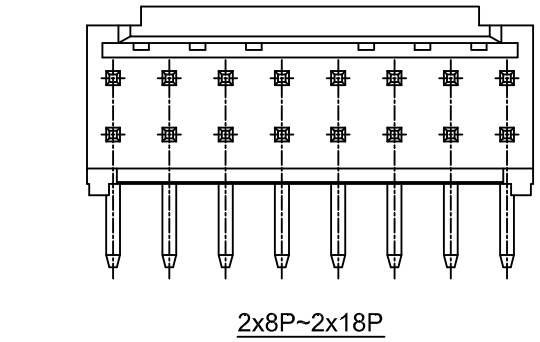
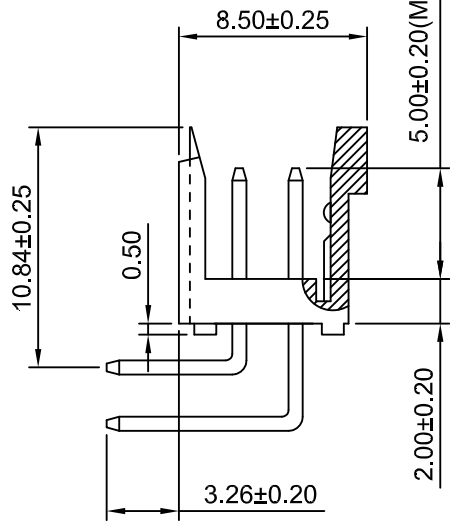
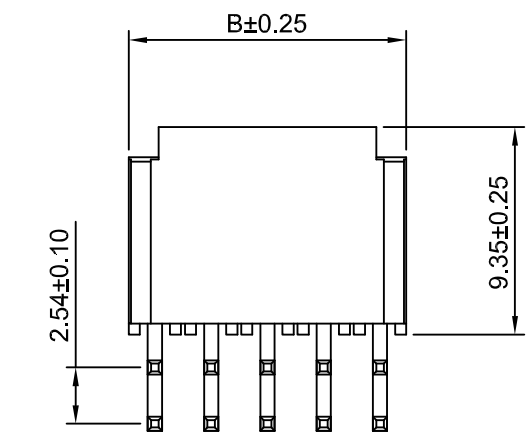
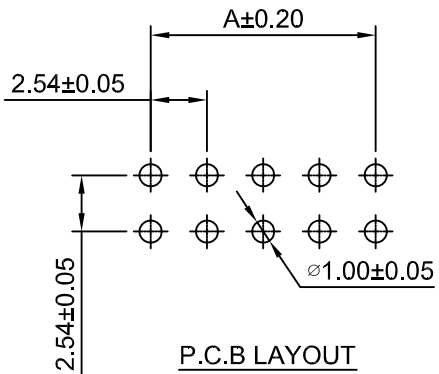
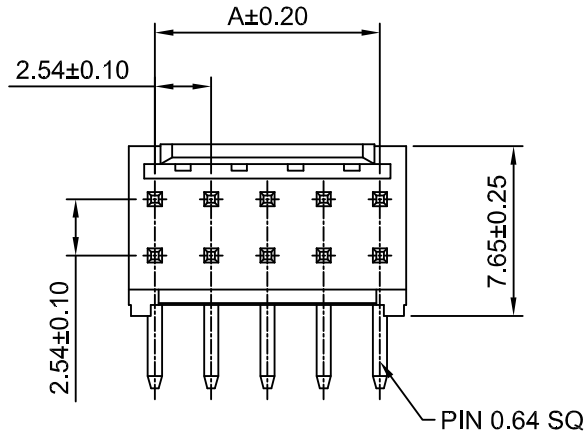
- Part No.
- Color:
(blank):Blue
BK:Black
- Finish:
(blank):Tin over Nickel
G:Gold-flash
G30:30µin (0.76µm) MIN.Select Gold(Mating Area)
100µin (2.54µm) MIN.Select Tin

SPECIFICATIONS:

- Current Rating: 3A AC,DC
- Voltage Rating: 250V AC,DC
- Temperature Range: -25°C ~ +85°C
- Contact Resistance: 20mΩ Max
- Insulation Resistance: 1000MΩ Min
- Withstanding Voltage: 1000V AC/minute
- Pin Material: Brass/Tin over Nickel
- Material: Nylon 66+30%G.F,UL94V-0 (Blue)
- Suitable for Reflow soldering: 265°C/10s

Ordering Information & Dimensions

Circuits	Dimensions(mm)		Circuits	Dimensions(mm)	
	A	B		A	B
2x2P	2.54	4.90	2x11P	25.40	27.76
2x3P	5.08	7.44	2x12P	27.94	30.30
2x4P	7.62	9.98	2x13P	30.48	32.84
2x5P	10.16	12.52	2x14P	33.02	35.38
2x6P	12.70	15.06	2x15P	35.56	37.92
2x7P	15.24	17.60	2x16P	38.10	40.46
2x8P	17.78	20.14	2x17P	40.64	43.00
2x9P	20.32	22.68	2x18P	43.18	45.54
2x10P	22.86	25.22			



深圳市华德共创科技有限公司
Shenzhen Huade co-create Technology Co.,LTD
TEL : 0755-27129737 FAX : 0755-29940187

-TOLERANCES- UNLESS OTHERWISE SPECIFIED 公差参数表				TITLE: 2.54mm Pitch 产品名称: 90° Wafer							
X.X	±0.30	X.X°	±3°	APPD: 核准:	XIE			PART NO: 产品编号:	HDGC2549WRK-N-2xXP		
X.XX	±0.30	X.XX°	±2°	CHECK: 校对:	WANG			DATE	SCALE	UNIT	CODE NUMBER
X.XXX	±0.10	X.XXX°	±1°	DRAW: 绘图:	WANG			2019-08-10	3:1	mm	A008