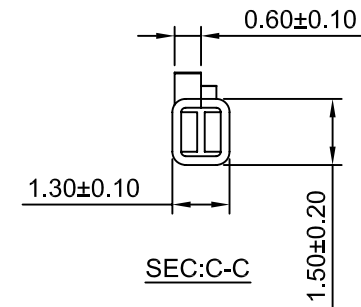
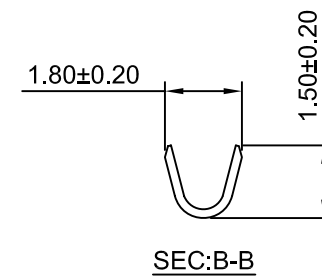
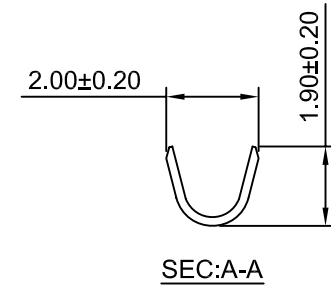
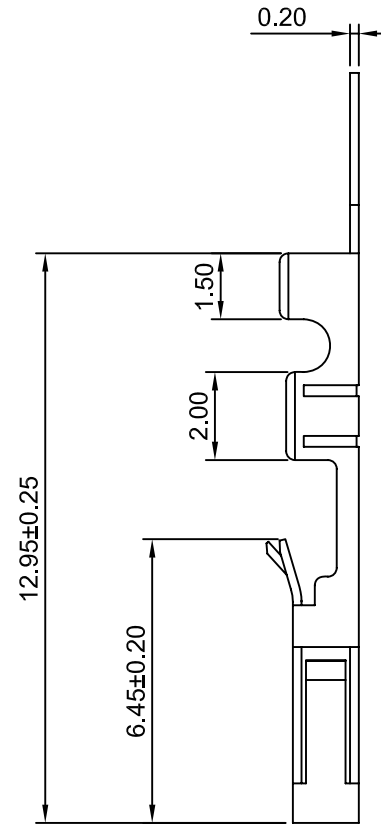
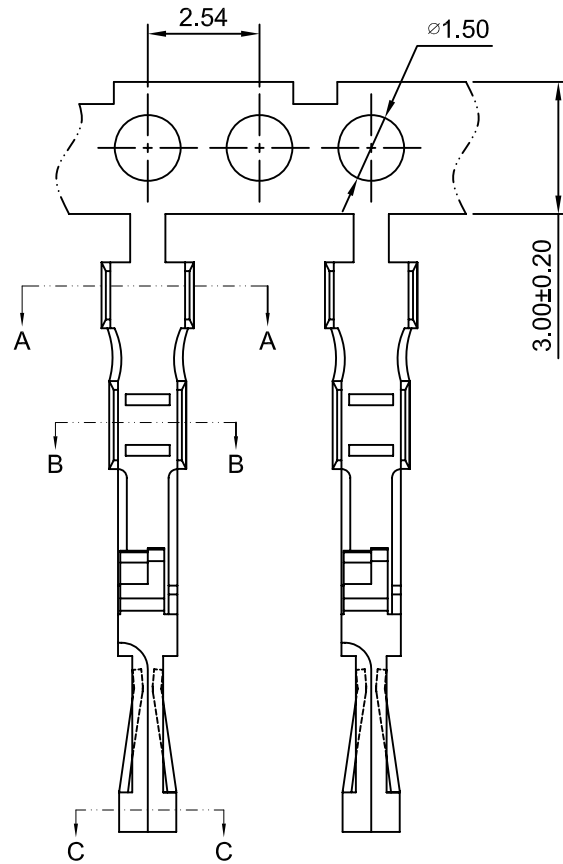


修订 REV	标记 MARK	修改摘要 REVISION DESCRIPTION	签名 SIGNATURE	日期 DATE
AO		NEW RELEASE	WANG	2013-03-26



Ordering information & Specifications

Unit:mm

Part No	Wire Range	Insultion O.D.	Material	Finish	Qty/reel
HDGC2547-TP	AWG#22-#24	1.60mm(max)	Phosphor Bronze	Tin over Nickel	15,000 PCS
HDGC2547-GP	AWG#22-#24	1.60mm(max)	Phosphor Bronze	Gold over Nickel	15,000 PCS

Optional Gold plating available but MOQ requested



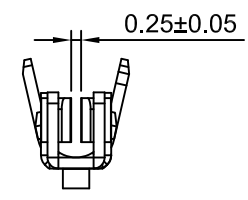
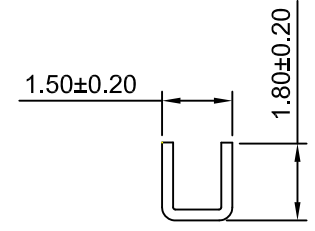
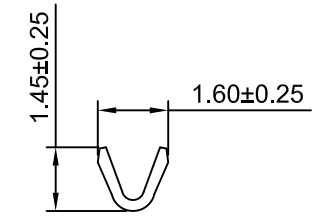
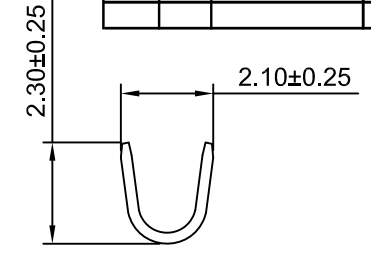
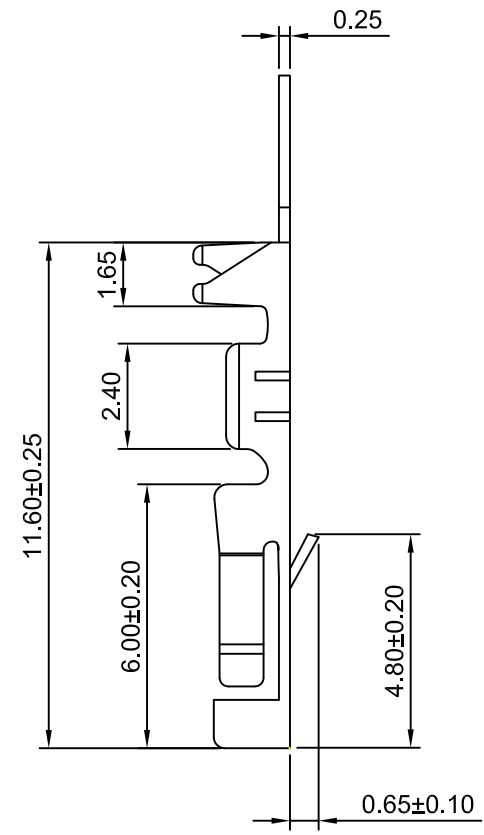
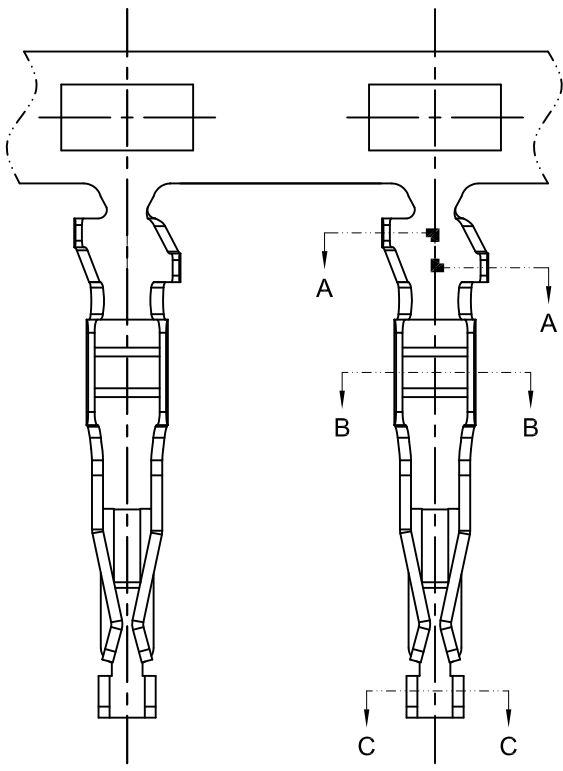
深圳市华德共创科技有限公司

Shenzhen Huade co-create Technology Co.,LTD

TEL : 0755-27129737 FAX : 0755-29940187

-TOLERANCES- UNLESS OTHERWISE SPECIFIED 公差参数表						TITLE: 产品名称: 2.54mm Pitch Crimp Terminal			
X.X	±0.30	X.X°	±3°	APPD: 核准:	XIE	PART NO: 产品编号: HDGC2547-T			
X.XX	±0.30	X.XX°	±2°	CHECK: 校对:	WANG	DATE	SCALE	UNIT	CODE NUMBER
X.XXX	±0.10	X.XXX°	±1°	DRAW: 绘图:	WANG	2013-03-26	6:1	mm	A008

修订 REV	标记 MARK	修改摘要 REVISION DESCRIPTION	签名 SIGNATURE	日期 DATE
AO		NEW RELEASE	WANG	2013-06-28



Ordering information & Specifications

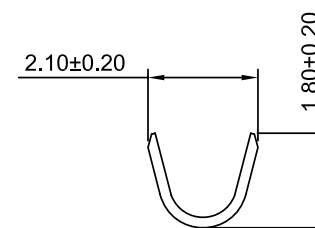
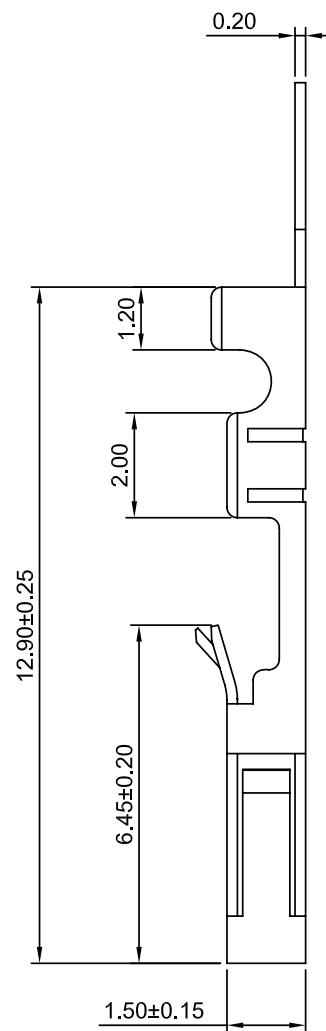
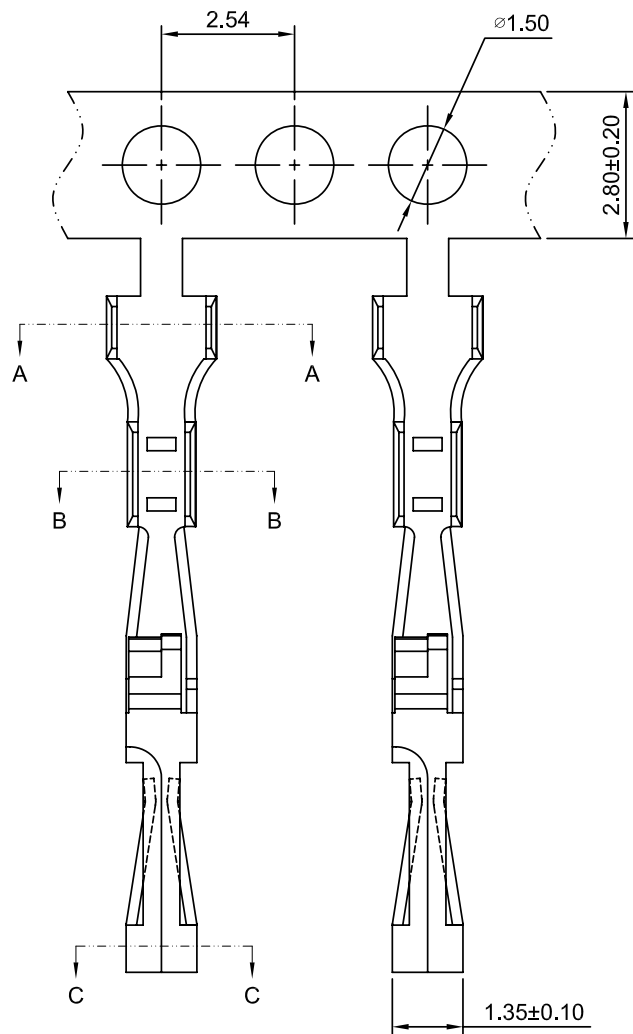
Part No	Wire Range	Insultion O.D.	Material	Finish	Qty/reel
HDGC2547-TP-S	AWG#22-#28	1.63mm(max)	Phosphor Bronze	Tin over Nickel	10,000 PCS
HDGC2547-GP-S	AWG#22-#28	1.63mm(max)	Phosphor Bronze	Gold over Nickel	10,000 PCS

Optional Gold plating available but MOQ requested

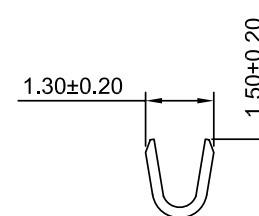
Unit:mm

		深圳市华德共创科技有限公司 Shenzhen Huade co-create Technology Co.,LTD TEL : 0755-27129737 FAX : 0755-29940187						
-TOLERANCES- UNLESS OTHERWISE SPECIFIED 公差参数表					TITLE: 2.54mm Pitch 产品名称: Crimp Terminal			
X.X	±0.30	X.X°	±3°	APPD: 核准: XIE	PART NO: 产品编号: HDGC2547-T-S			
X.XX	±0.30	X.XX°	±2°	CHECK: 校对: WANG	DATE	SCALE	UNIT	CODE NUMBER
X.XXX	±0.10	X.XXX°	±1°	DRAW: 绘图: WANG	2013-06-28	6:1	mm	A008

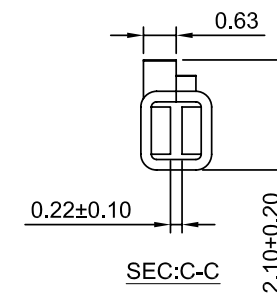
修订 REV	标记 MARK	修改摘要 REVISION DESCRIPTION	签名 SIGNATURE	日期 DATE
AO		NEW RELEASE	WANG	2013-03-26



SEC:A-A



SEC:B-B



SEC:C-C

Ordering information & Specifications

Unit:mm

Part No	Wire Range	Insulation O.D.	Material	Finish	Qty/reel
HDGC2547-TP-L	AWG#24-#30	1.60mm(max)	Phosphor Bronze	Tin over Nickel	15,000 PCS
HDGC2547-GP-L	AWG#24-#30	1.60mm(max)	Phosphor Bronze	Gold over Nickel	15,000 PCS

Optional Gold plating available but MOQ requested



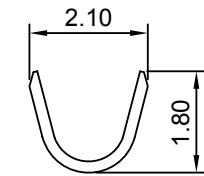
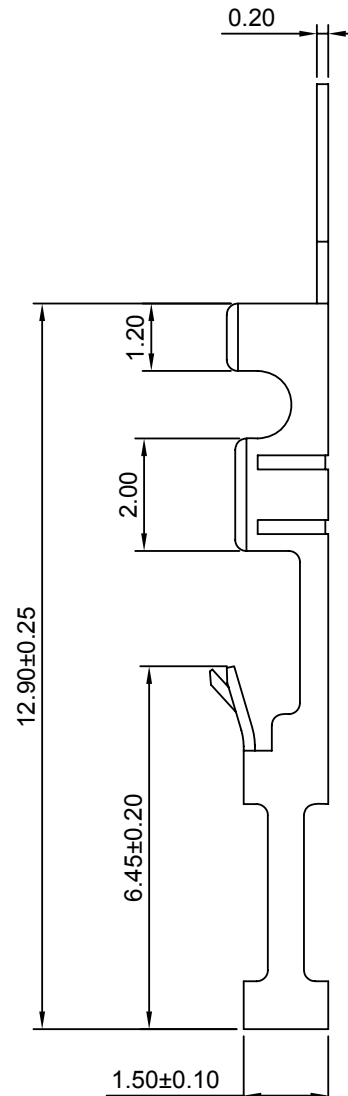
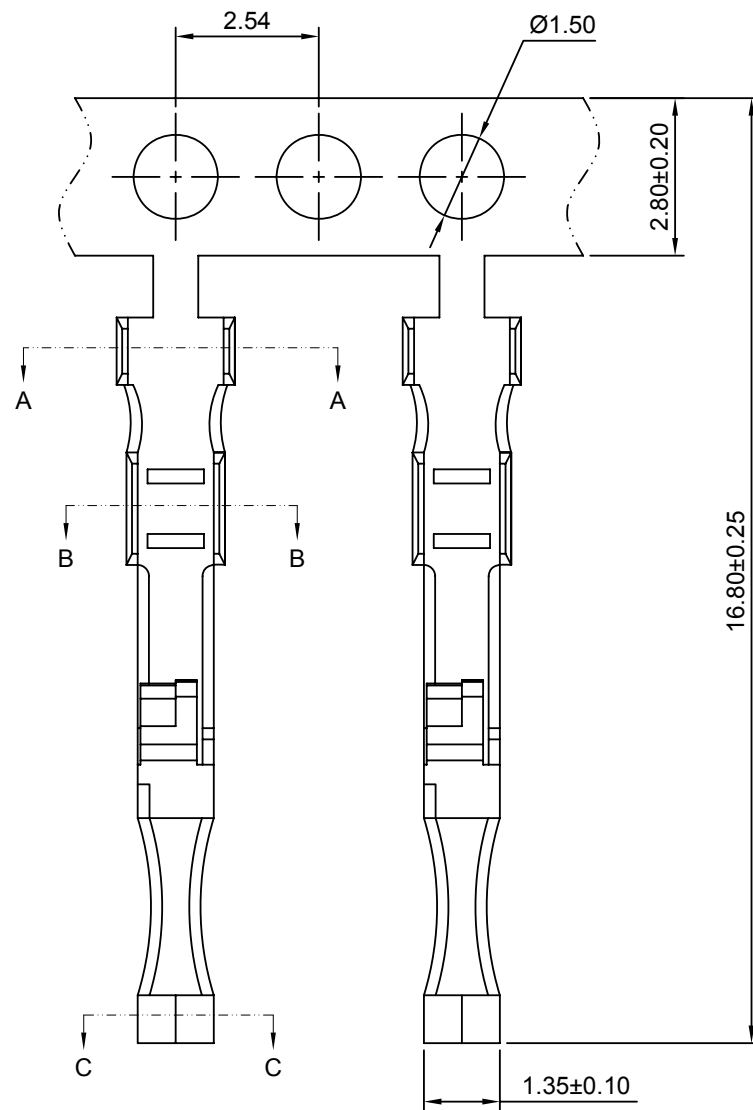
深圳市华德共创科技有限公司

Shenzhen Huade co-create Technology Co.,LTD

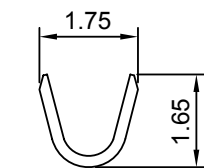
TEL : 0755-27129737 FAX : 0755-29940187

-TOLERANCES- UNLESS OTHERWISE SPECIFIED 公差参数表				TITLE: 产品名称: 2.54mm Pitch Crimp Terminal	
X.X	±0.30	X.X°	±3°	APPD: 核准: XIE	PART NO: 产品编号: HDGC2547-T-L
X.XX	±0.30	X.XX°	±2°	CHECK: 校对: WANG	DATE
X.XXX	±0.10	X.XXX°	±1°	DRAW: 绘图: WANG	SCALE
					UNIT
					CODE NUMBER
					A008

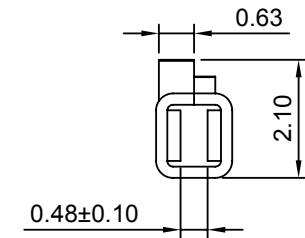
修订 REV	标记 MARK	修改摘要 REVISION DESCRIPTION	签名 SIGNATURE	日期 DATE
AO		NEW RELEASE	WANG	2013-03-26



SEC:A-A



SEC:B-B



SEC:C-C

Ordering information & Specifications

Unit:mm

Part No	Wire Range	Insultion O.D.	Material	Finish	Qty/reel
HDGC2547-TP-C	AWG#22-#24	1.63mm(max)	Phosphor Bronze	Tin over Nickel	15,000 PCS
HDGC2547-GP-C	AWG#22-#24	1.63mm(max)	Phosphor Bronze	Gold over Nickel	15,000 PCS

Optional Gold plating available but MOQ requested



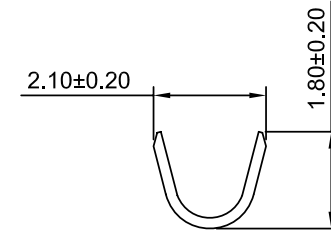
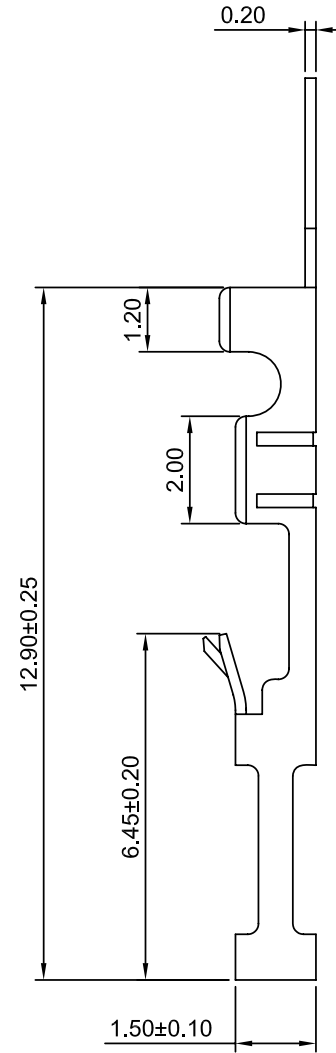
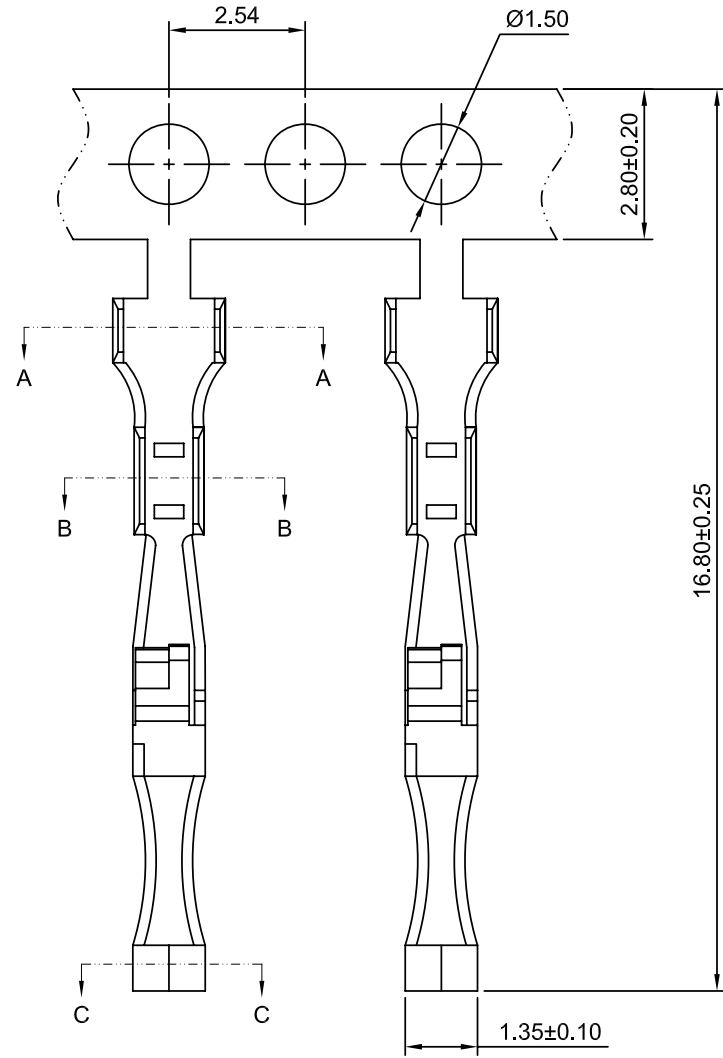
深圳市华德共创科技有限公司

Shenzhen Huade co-create Technology Co.,LTD

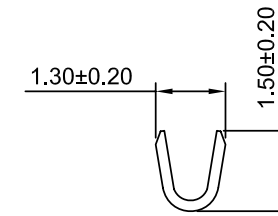
TEL : 0755-27129737 FAX : 0755-29940187

-TOLERANCES- UNLESS OTHERWISE SPECIFIED 公差参数表			TITLE: 产品名称: 2.54mm Pitch Crimp Terminal	
X.X	±0.30	X.X°	±3°	APPD: 核准: XIE
X.XX	±0.30	X.XX°	±2°	CHECK: 校对: WANG
X.XXX	±0.10	X.XXX°	±1°	DRAW: 绘图: WANG
PART NO: 产品编号: HDGC2547-T-C		DATE	SCALE	UNIT
		2013-03-26	8:1	mm
				CODE NUMBER
				A008

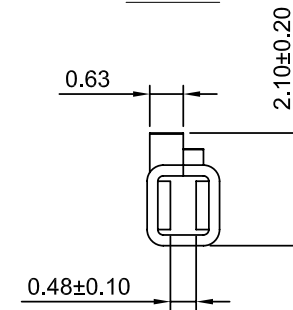
修订 REV	标记 MARK	修改摘要 REVISION DESCRIPTION	签名 SIGNATURE	日期 DATE
AO		NEW RELEASE	WANG	2013-03-26



SEC:A-A



SEC:B-B



SEC:C-C

Ordering information & Specifications

Unit:mm

Part No	Wire Range	Insultion O.D.	Material	Finish	Qty/reel
HDGC2547-TP-C-L	AWG#24-#30	1.60mm(max)	Phosphor Bronze	Tin over Nickel	15,000 PCS
HDGC2547-GP-C-L	AWG#24-#30	1.60mm(max)	Phosphor Bronze	Gold over Nickel	15,000 PCS

Optional Gold plating available but MOQ requested



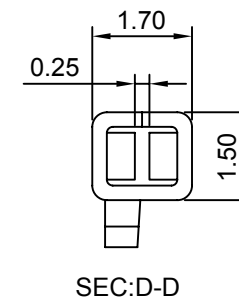
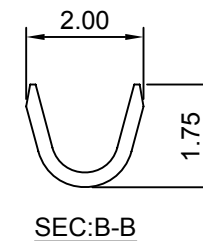
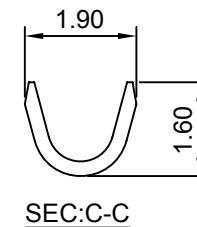
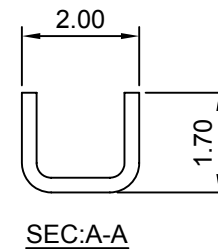
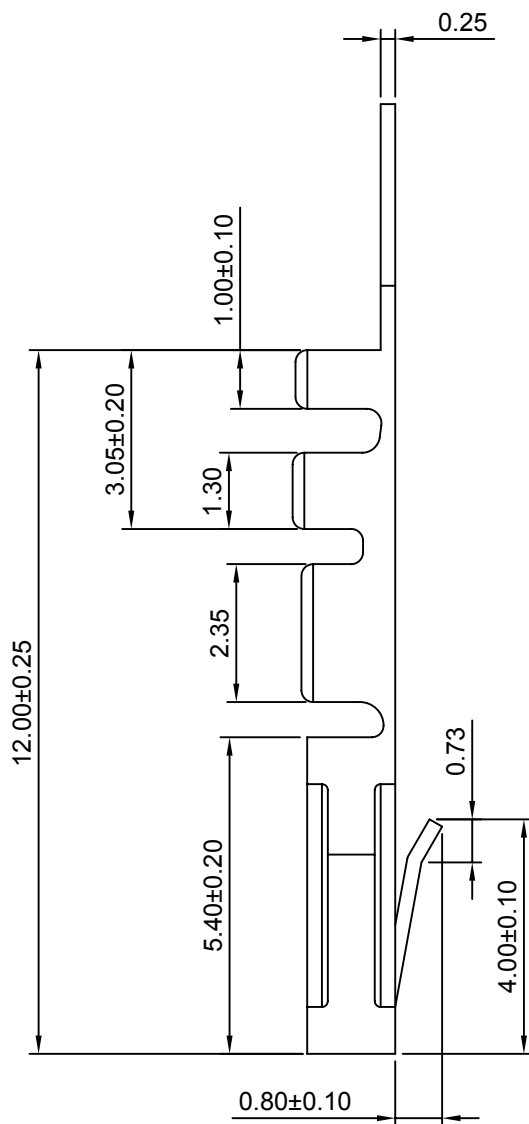
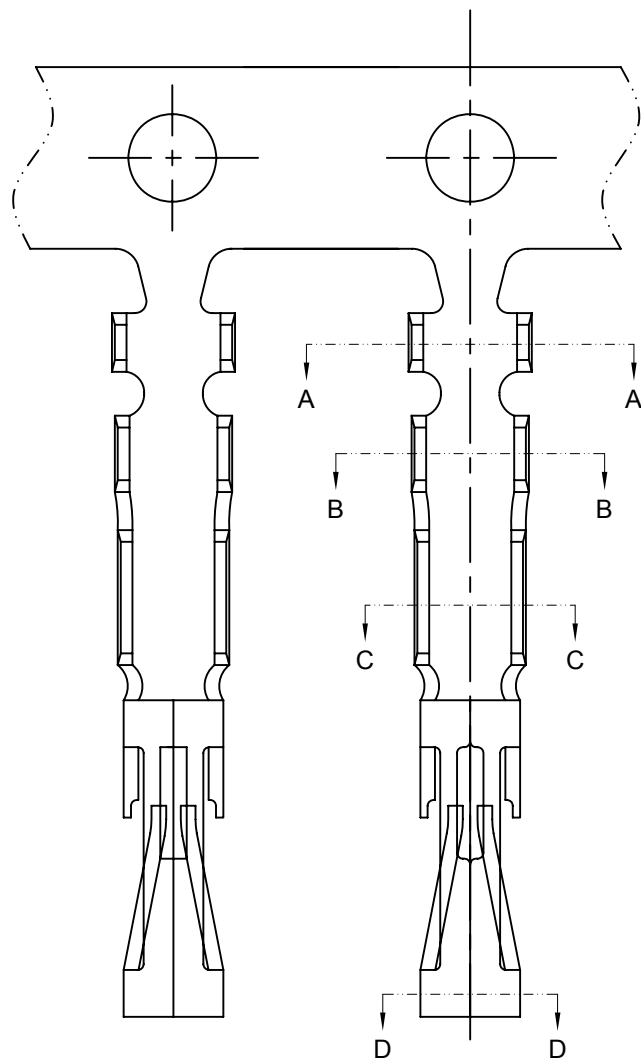
深圳市华德共创科技有限公司

Shenzhen Huade co-create Technology Co.,LTD

TEL : 0755-27129737 FAX : 0755-29940187

-TOLERANCES- OTHERWISE SPECIFIED 公差参数表					TITLE: 2.54mm Pitch 产品名称: Crimp Terminal			
X.X	±0.30	X.X°	±3°	APPD: 核准: XIE	PART NO: 产品编号: HDGC2547-T-C-L			
X.XX	±0.30	X.XX°	±2°	CHECK: 校对: WANG	DATE	SCALE	UNIT	CODE NUMBER
X.XXX	±0.10	X.XXX°	±1°	DRAW: 绘图: WANG	2013-03-26	8:1	mm	A008

修订 REV	标记 MARK	修改摘要 REVISION DESCRIPTION	签名 SIGNATURE	日期 DATE
AO		NEW RELEASE	WANG	2013-03-26



Ordering information & Specifications

Unit:mm

Part No	Wire Range	Insultion O.D.	Material	Finish	Qty/reel
HDGC2547-TP-B	AWG#22-#26	1.55mm(max)	Phosphor Bronze	Tin over Nickel	15,000 PCS
HDGC2547-GP-B	AWG#22-#26	1.55mm(max)	Phosphor Bronze	Gold over Nickel	15,000 PCS

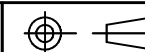
Optional Gold plating available but MOQ requested



深圳市华德共创科技有限公司

Shenzhen Huade co-create Technology Co.,LTD
TEL : 0755-27129737 FAX : 0755-29940187

-TOLERANCES-
UNLESS OTHERWISE SPECIFIED
公差参数表



TITLE: 2.54mm Pitch
产品名称: Crimp Terminal

X.X ±0.30 X.X° ±3°

APPD: 核准: XIE

PART NO: HDGC2547-T-B
产品编号:

X.XX ±0.30 X.XX° ±2°

CHECK: 校对: WANG

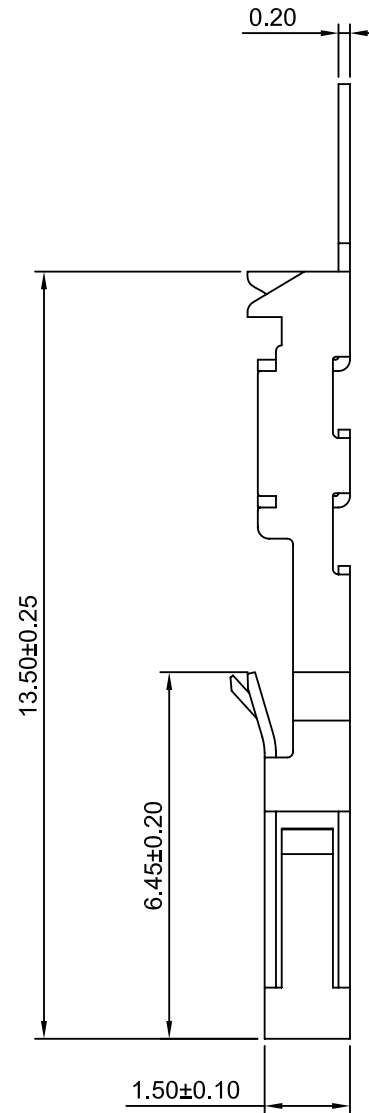
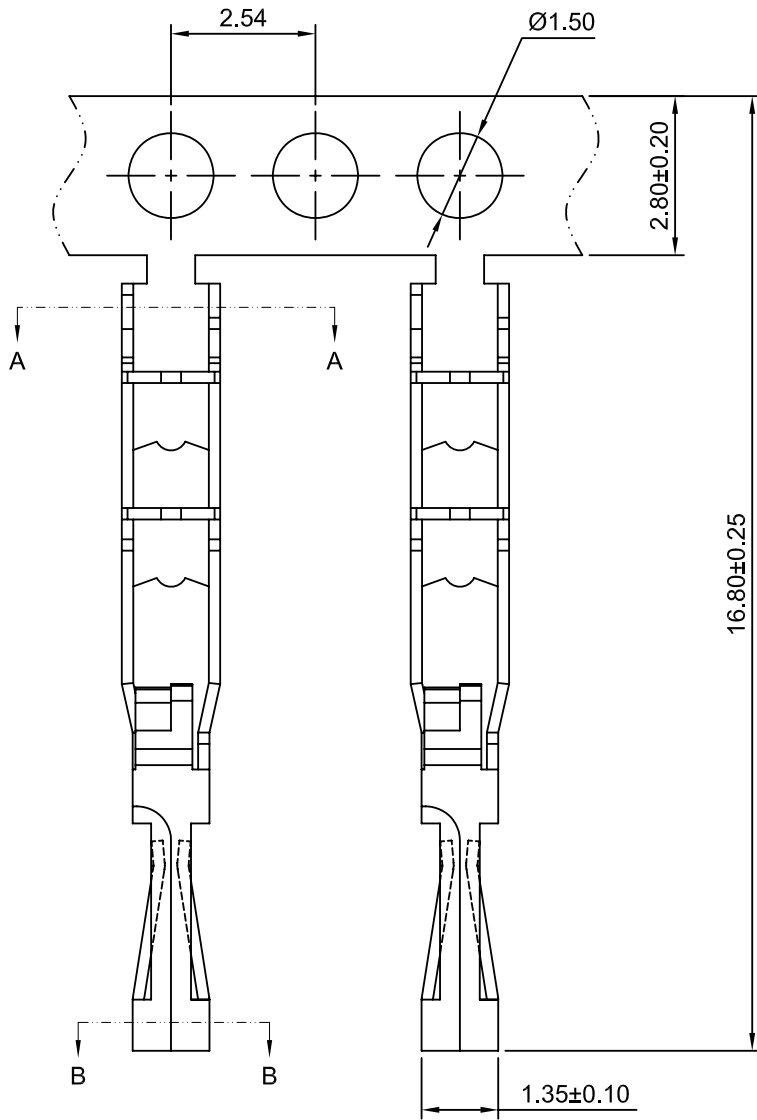
DATE SCALE UNIT CODE NUMBER

X.XXX ±0.10 X.XXX° ±1°

DRAW: 绘图: WANG

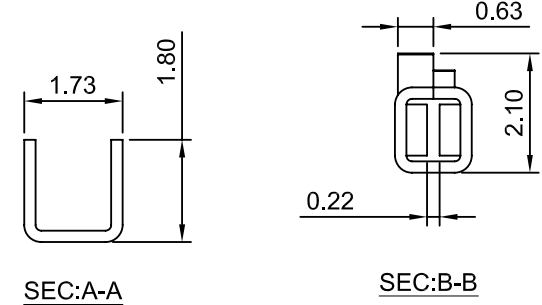
2013-03-26 8:1 mm A008

修订 REV	标记 MARK	修改摘要 REVISION DESCRIPTION	签名 SIGNATURE	日期 DATE
AO		NEW RELEASE	WANG	2013-03-26



Ordering Information:
 HDGC2547-TP(GP)-D - **
 1 2

- 1.Part No.
 2.Finish:
 (blank) - 24 AWG
 26 - 26 AWG
 28 - 28 AWG
 22 - 22 AWG



Ordering information & Specifications

Unit:mm

Part No	Wire Range	Insultion O.D.	Material	Finish	Qty/reel
HDGC2547-TP-D	AWG#22-#28	1.35mm(max)	Phosphor Bronze	Tin over Nickel	15,000 PCS
HDGC2547-GP-D	AWG#22-#28	1.35mm(max)	Phosphor Bronze	Gold over Nickel	15,000 PCS

Optional Gold plating available but MOQ requested

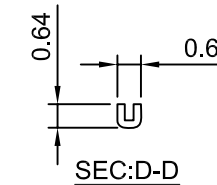
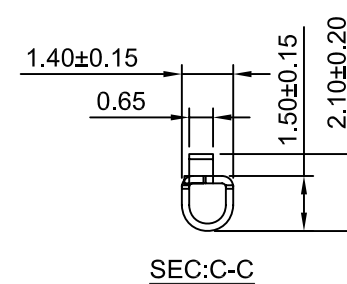
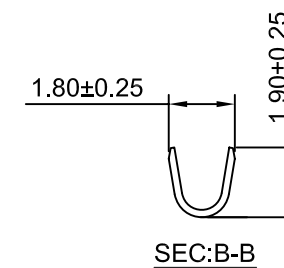
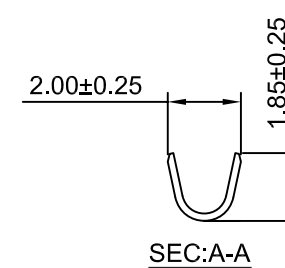
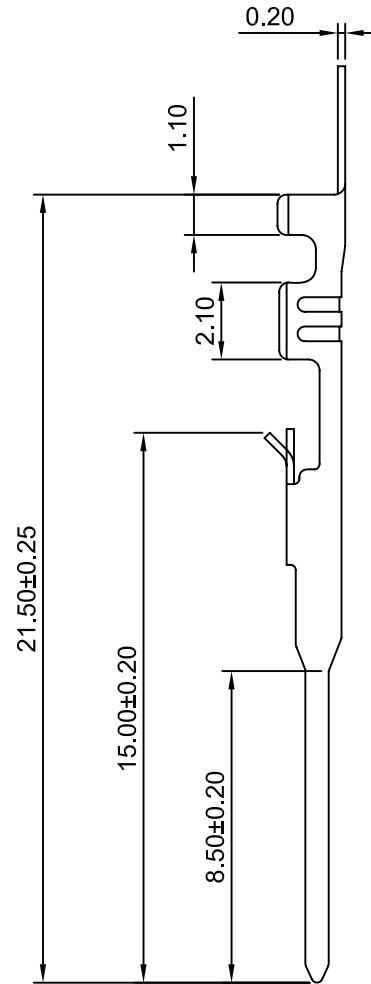
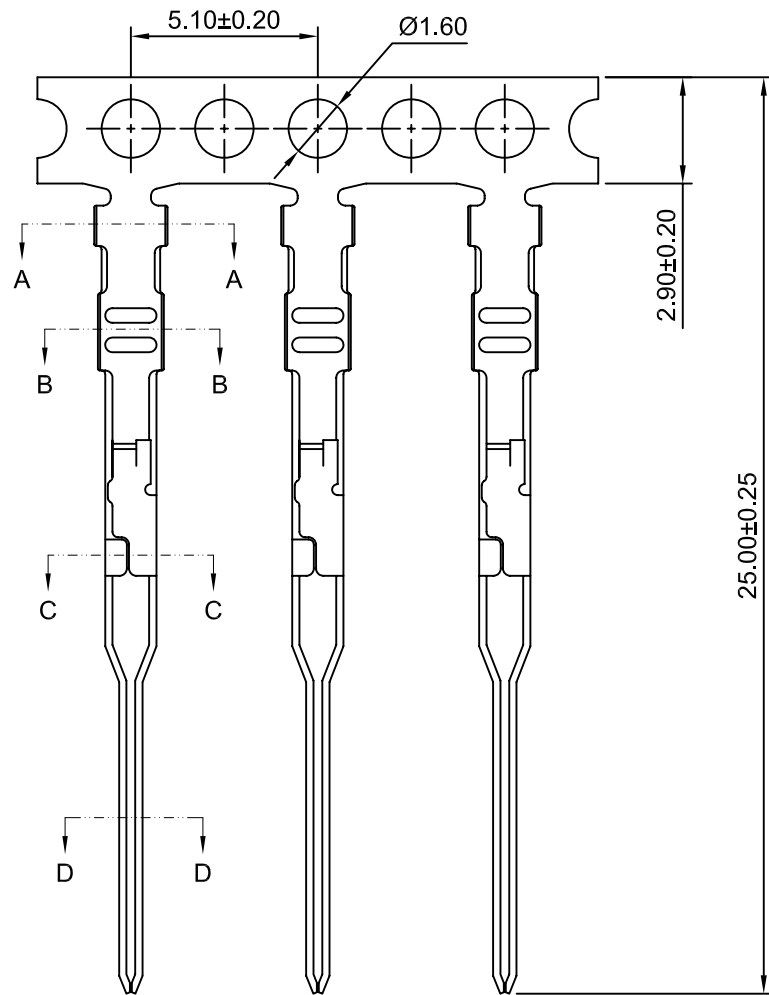


深圳市华德共创科技有限公司

Shenzhen Huade co-create Technology Co.,LTD
 TEL : 0755-27129737 FAX : 0755-29940187

-TOLERANCES- UNLESS OTHERWISE SPECIFIED 公差参数表						TITLE: 产品名称: 2.54mm Pitch Crimp Terminal			
X.X	±0.30	X.X°	±3°	APPD: 核准:	XIE	PART NO: 产品编号: HDGC2547-T-D			
X.XX	±0.30	X.XX°	±2°	CHECK: 校对:	WANG	DATE	SCALE	UNIT	CODE NUMBER
X.XXX	±0.10	X.XXX°	±1°	DRAW: 绘图:	WANG	2013-03-26	8:1	mm	A008

修订 REV	标记 MARK	修改摘要 REVISION DESCRIPTION	签名 SIGNATURE	日期 DATE
AO		NEW RELEASE	WANG	2013-03-26



Ordering information & Specifications

Unit:mm

Part No	Wire Range	Insultion O.D.	Material	Finish	Qty/reel
HDGC2547M-TP	AWG#22-#24	1.60mm(max)	Phosphor Bronze	Tin over Nickel	15,000 PCS
HDGC2547M-GP	AWG#22-#24	1.60mm(max)	Phosphor Bronze	Gold over Nickel	15,000 PCS

Optional Gold plating available but MOQ requested



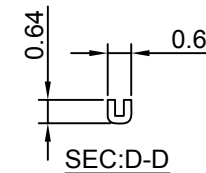
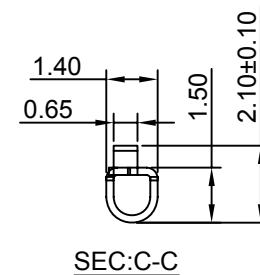
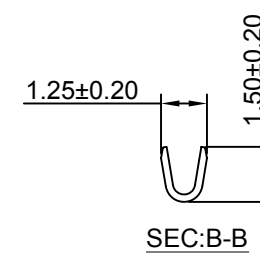
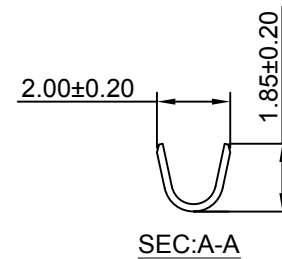
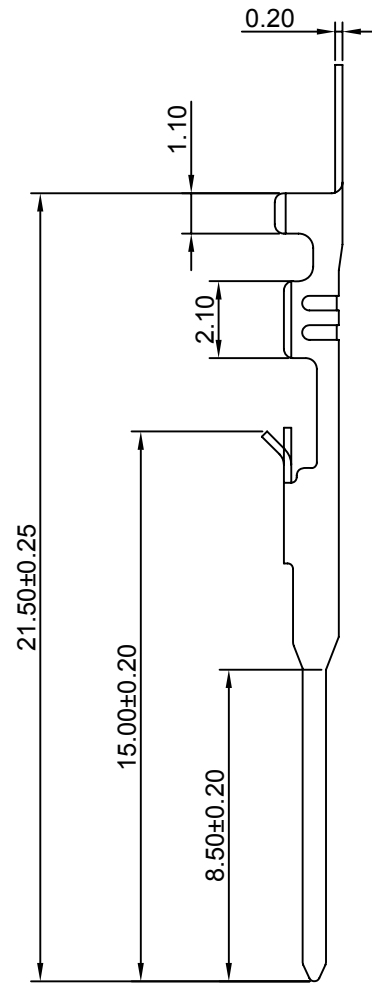
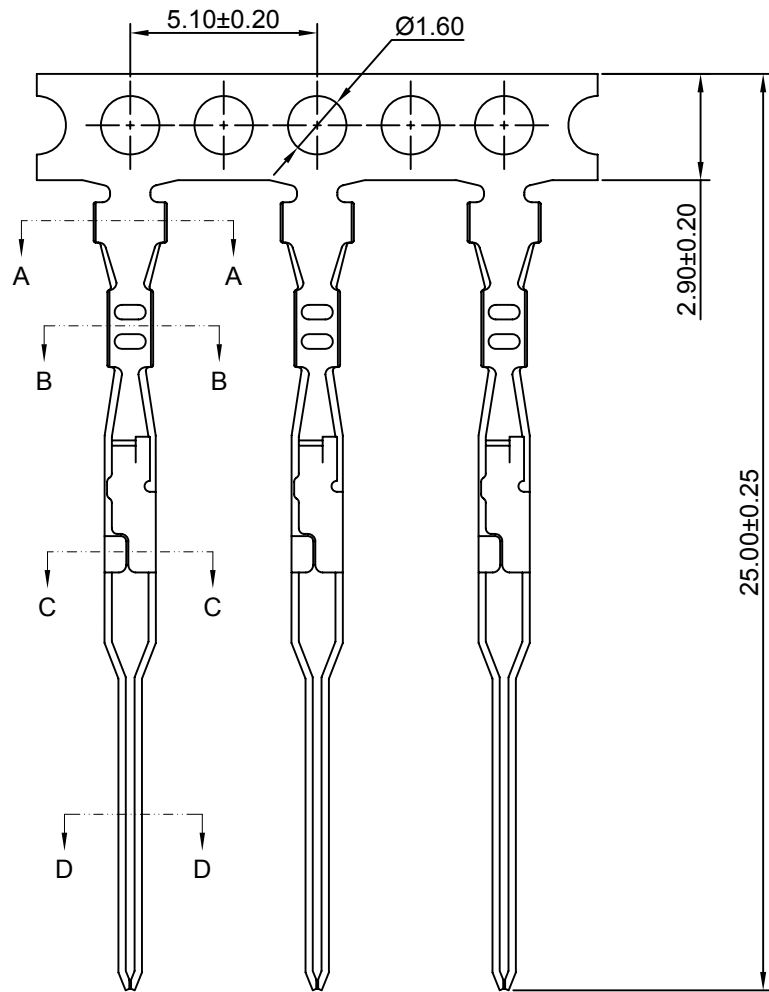
深圳市华德共创科技有限公司

Shenzhen Huade co-create Technology Co.,LTD

TEL : 0755-27129737 FAX : 0755-29940187

-TOLERANCES- UNLESS OTHERWISE SPECIFIED 公差参数表					TITLE: 2.54mm Pitch 产品名称: Crimp Terminal			
X.X	±0.30	X.X°	±3°	APPD: 核准: XIE	PART NO: 产品编号: HDGC2547M-T			
X.XX	±0.30	X.XX°	±2°	CHECK: 校对: WANG	DATE	SCALE	UNIT	CODE NUMBER
X.XXX	±0.10	X.XXX°	±1°	DRAW: 绘图: WANG	2013-03-26	5:1	mm	A008

修订 REV	标记 MARK	修改摘要 REVISION DESCRIPTION	签名 SIGNATURE	日期 DATE
AO		NEW RELEASE	WANG	2013-03-26



Ordering information & Specifications

Unit:mm

Part No	Wire Range	Insulation O.D.	Material	Finish	Qty/reel
HDGC2547M-TP-L	AWG#24-#30	1.60mm(max)	Phosphor Bronze	Tin over Nickel	15,000 PCS
HDGC2547M-GP-L	AWG#24-#30	1.60mm(max)	Phosphor Bronze	Gold over Nickel	15,000 PCS

Optional Gold plating available but MOQ requested



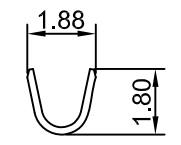
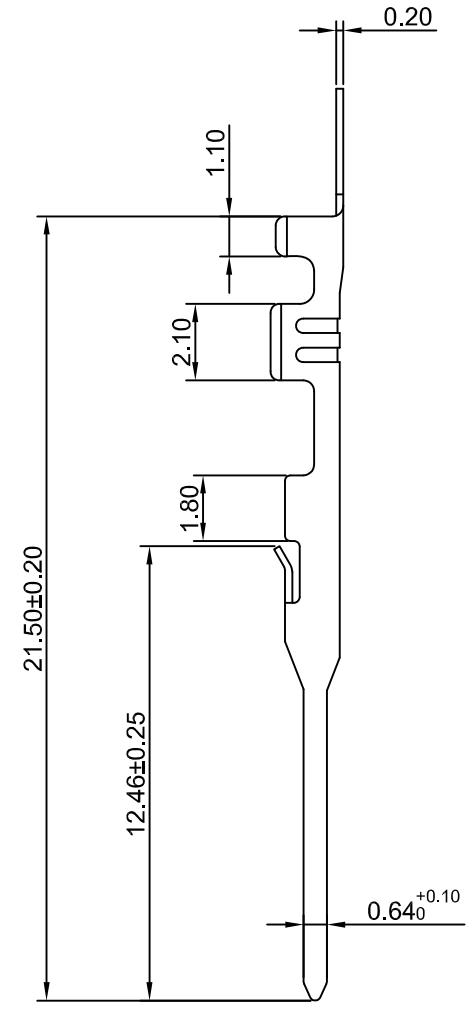
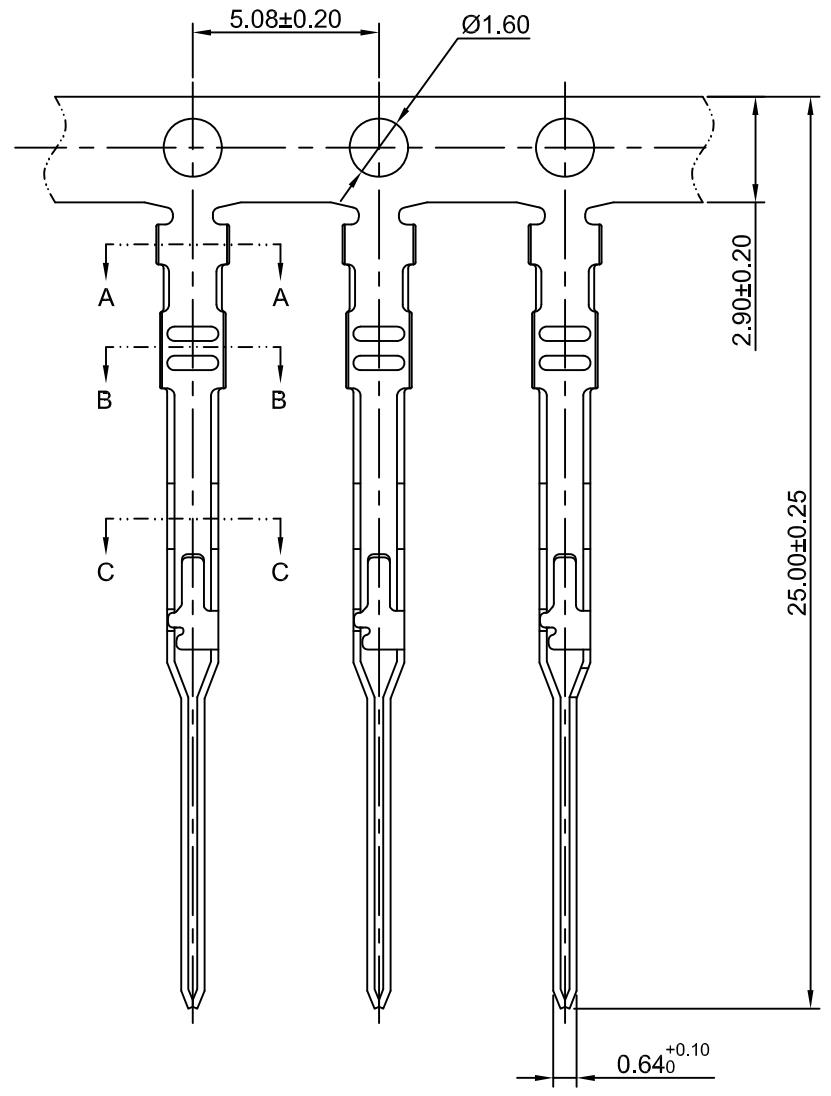
深圳市华德共创科技有限公司

Shenzhen Huade co-create Technology Co.,LTD

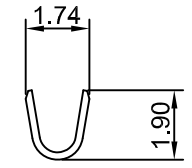
TEL : 0755-27129737 FAX : 0755-29940187

-TOLERANCES- UNLESS OTHERWISE SPECIFIED 公差参数表						TITLE: 2.54mm Pitch 产品名称: Crimp Terminal			
X.X	±0.30	X.X°	±3°	APPD: 核准:	XIE	PART NO: 产品编号: HDGC2547M-T-L			
X.XX	±0.30	X.XX°	±2°	CHECK: 校对:	WANG	DATE	SCALE	UNIT	CODE NUMBER
X.XXX	±0.10	X.XXX°	±1°	DRAW: 绘图:	WANG	2013-03-26	5:1	mm	A008

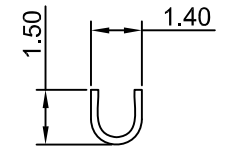
修订 REV	标记 MARK	修改摘要 REVISION DESCRIPTION	签名 SIGNATURE	日期 DATE
AO		NEW RELEASE	WANG	2013-12-23



SEC:A-A



SEC:B-B



SEC:C-C

Ordering information & Specifications

Unit:mm

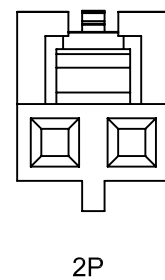
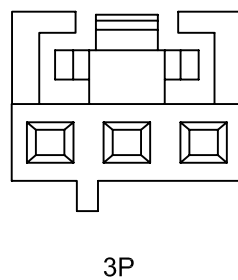
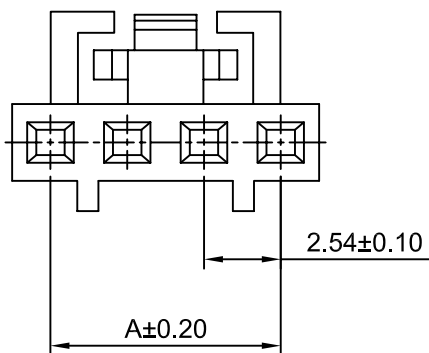
Part No	Wire Range	Insulation O.D.	Material	Finish	Qty/reel
HDGC2547M-TP-B	AWG#22-#26	1.63mm(max)	Phosphor Bronze	Tin over Nickel	15,000 PCS
HDGC2547M-GP-B	AWG#22-#26	1.63mm(max)	Phosphor Bronze	Gold over Nickel	15,000 PCS

Optional Gold plating available but MOQ requested

深圳市华德共创科技有限公司
Shenzhen Huade co-create Technology Co.,LTD
TEL : 0755-27129737 FAX : 0755-29940187

-TOLERANCES- UNLESS OTHERWISE SPECIFIED 公差参数表				TITLE: 2.54mm Pitch 产品名称: Crimp Terminal						
X.X	±0.30	X.X°	±3°	APPD: 核准:	XIE			PART NO: 产品编号:	HDGC2547M-T-B	
X.XX	±0.30	X.XX°	±2°	CHECK: 校对:	WANG		DATE	SCALE	UNIT	CODE NUMBER
X.XXX	±0.10	X.XXX°	±1°	DRAW: 绘图:	WANG		2013-12-23	5:1	mm	A008

修订 REV	标记 MARK	修改摘要 REVISION DESCRIPTION	签名 SIGNATURE	日期 DATE
AO		NEW RELEASE	WANG	2013-03-26

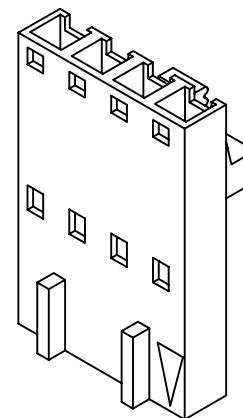
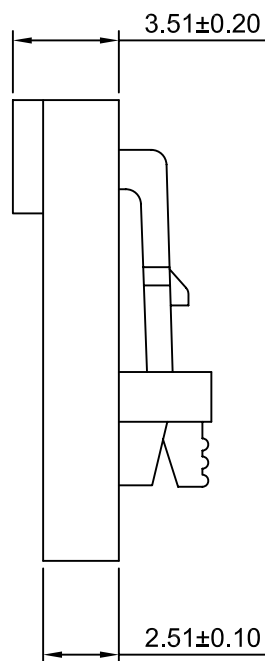
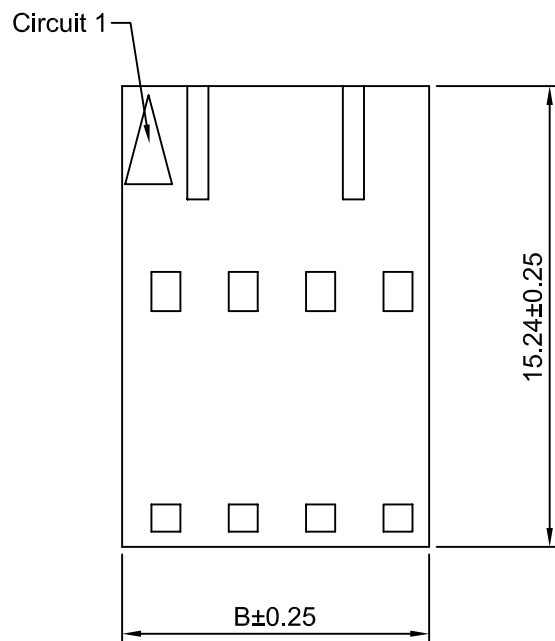


SPECIFICATIONS:

Current Rating: 3A AC,DC
Voltage Rating: 250V AC,DC
Temperature Range: -25°C ~ +85°C
Contact Resistance: 20mΩ Max
Insulation Resistance: 1000MΩ Min
Withstanding Voltage: 1500V AC/minute
Material: PBT,UL94V-0(Black)

Ordering Information & Dimensions

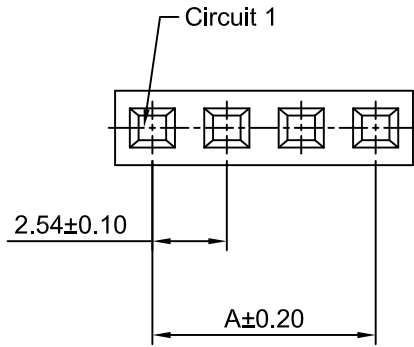
Circuits	Dimensions(mm)		Circuits	Dimensions(mm)	
	A	B		A	B
2P	2.54	5.08	14P	33.02	35.56
3P	5.08	7.62	15P	35.56	38.10
4P	7.62	10.16	16P	38.10	40.64
5P	10.16	12.70	17P	40.64	43.18
6P	12.70	15.24	18P	43.18	45.72
7P	15.24	17.78	19P	45.72	48.26
8P	17.78	20.32	20P	48.26	50.80
9P	20.32	22.86	21P	50.80	53.34
10P	22.86	25.40	22P	53.34	55.88
11P	25.40	27.94	23P	55.88	58.42
12P	27.94	30.48	24P	58.42	60.96
13P	30.48	33.02	25P	60.96	63.50



深圳市华德共创科技有限公司
Shenzhen Huade co-create Technology Co.,LTD
TEL : 0755-27129737 FAX : 0755-29940187

-TOLERANCES- UNLESS OTHERWISE SPECIFIED 公差参数表			TITLE: 2.54mm Pitch Housing 产品名称:	
X.X ±0.30	X.X° ±3°	APPD: 核准: XIE	PART NO: HDGC2547H-XP 产品编号:	
X.XX ±0.30	X.XX° ±2°	CHECK: 校对: WANG	DATE	SCALE
X.XXX ±0.10	X.XXX° ±1°	DRAW: 绘图: WANG	2013-03-26	4:1
		UNIT	CODE NUMBER	
		mm	A008	

修订 REV	标记 MARK	修改摘要 REVISION DESCRIPTION	签名 SIGNATURE	日期 DATE
AO		NEW RELEASE	WANG	2013-03-26



Ordering Information:

HDGC2547H-XP - ***

1. Part NO.

2. Material:

(blank): PBT, UL94V-0

GWT: Nylon 66, UL94V-0, IEC 60335-1, 5th Edition

Glow Wire Capable.

SPECIFICATIONS:

Current Rating: 3A AC, DC

Voltage Rating: 250V AC, DC

Temperature Range: -25°C ~ +85°C

Contact Resistance: 20mΩ Max

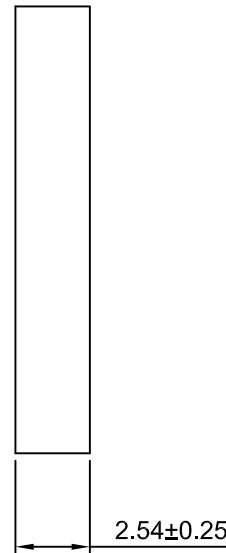
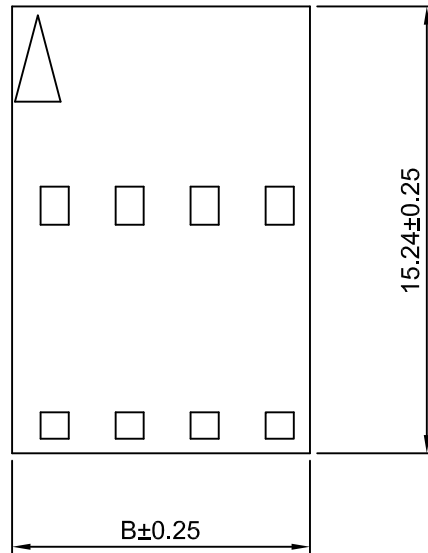
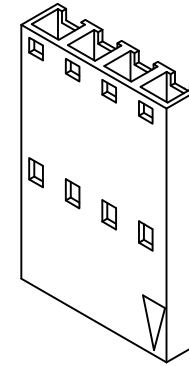
Insulation Resistance: 1000MΩ Min

Withstanding Voltage: 1500V AC/minute

Material: PBT, UL94V-0(Black)

Ordering Information & Dimensions

Part NO.	Dimensions(mm)	
	A	B
HDGC2547H-2P-2	2.54	5.08
HDGC2547H-3P-2	5.08	7.62
HDGC2547H-4P-2	7.62	10.16
HDGC2547H-5P-2	10.16	12.70
HDGC2547H-6P-2	12.70	15.24
HDGC2547H-7P-2	15.24	17.78
HDGC2547H-8P-2	17.78	20.32
HDGC2547H-9P-2	20.32	22.86
HDGC2547H-10P-2	22.86	25.40
HDGC2547H-11P-2	25.40	27.94
HDGC2547H-12P-2	27.94	30.48
HDGC2547H-13P-2	30.48	33.02
HDGC2547H-14P-2	33.02	35.56
HDGC2547H-15P-2	35.56	38.10
HDGC2547H-16P-2	38.10	40.64
HDGC2547H-17P-2	40.64	43.18
HDGC2547H-18P-2	43.18	45.72
HDGC2547H-19P-2	45.72	48.26
HDGC2547H-20P-2	48.26	50.80
HDGC2547H-21P-2	50.80	53.34
HDGC2547H-22P-2	53.34	55.88
HDGC2547H-23P-2	55.88	58.42
HDGC2547H-24P-2	58.42	60.96
HDGC2547H-25P-2	60.96	63.50



深圳市华德共创科技有限公司

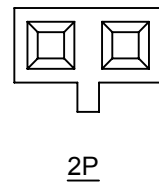
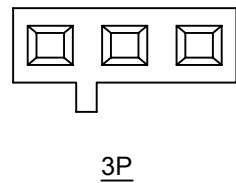
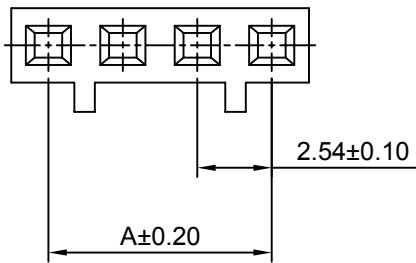
Shenzhen Huade co-create Technology Co., LTD

TEL : 0755-27129737

FAX : 0755-29940187

-TOLERANCES- UNLESS OTHERWISE SPECIFIED 公差参数表						TITLE: 2.54mm Pitch Housing 产品名称:			
X.X	±0.30	X.X°	±3°	APPD: 核准:	XIE	PART NO: HDGC2547H-XP-2 产品编号:			
X.XX	±0.30	X.XX°	±2°	CHECK: 校对:	WANG	DATE	SCALE	UNIT	CODE NUMBER
X.XXX	±0.10	X.XXX°	±1°	DRAW: 绘图:	WANG	2013-03-26	4:1	mm	A008

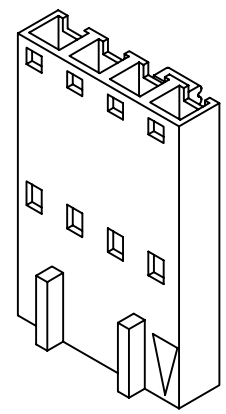
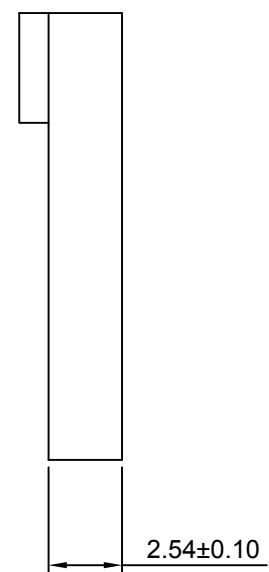
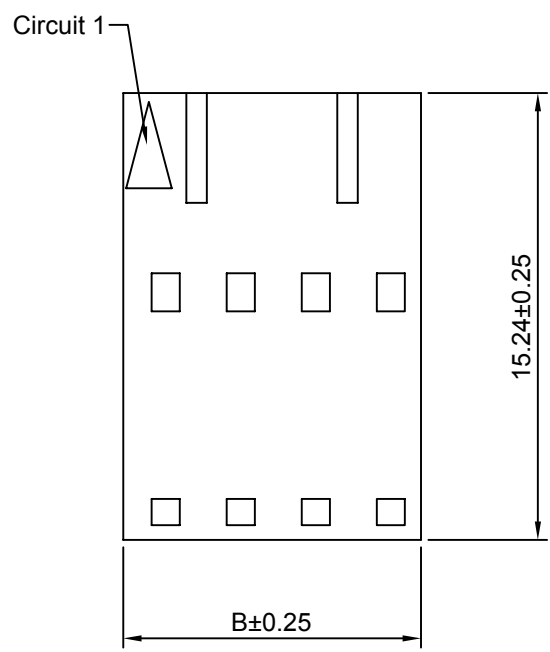
修订 REV	标记 MARK	修改摘要 REVISION DESCRIPTION	签名 SIGNATURE	日期 DATE
AO		NEW RELEASE	WANG	2013-03-26




SPECIFICATIONS:
 Current Rating: 3A AC,DC
 Voltage Rating: 250V AC,DC
 Temperature Range: -25°C ~ +85°C
 Contact Resistance: 20mΩ Max
 Insulation Resistance: 1000MΩ Min
 Withstanding Voltage: 1500V AC/minute
 Material: PBT,UL94V-0(Black)

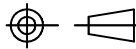
Ordering Information & Dimensions

Circuits	Dimensions(mm)		Circuits	Dimensions(mm)	
	A	B		A	B
2P	2.54	5.08	14P	33.02	35.56
3P	5.08	7.62	15P	35.56	38.10
4P	7.62	10.16	16P	38.10	40.64
5P	10.16	12.70	17P	40.64	43.18
6P	12.70	15.24	18P	43.18	45.72
7P	15.24	17.78	19P	45.72	48.26
8P	17.78	20.32	20P	48.26	50.80
9P	20.32	22.86	21P	50.80	53.34
10P	22.86	25.40	22P	53.34	55.88
11P	25.40	27.94	23P	55.88	58.42
12P	27.94	30.48	24P	58.42	60.96
13P	30.48	33.02	25P	60.96	63.50

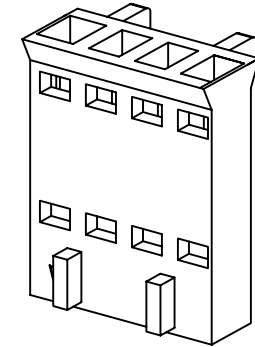
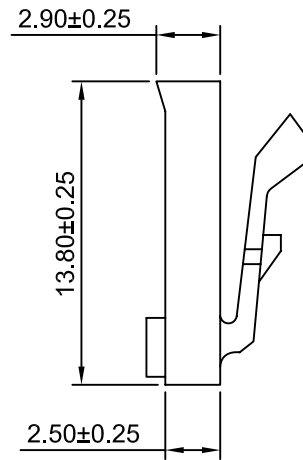
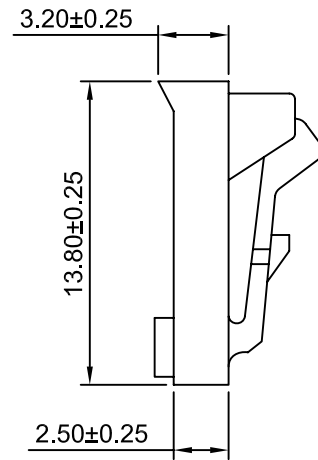
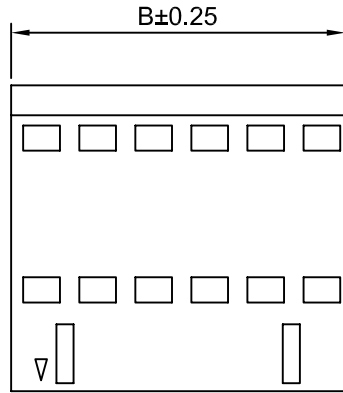




深圳市华德共创科技有限公司
 Shenzhen Huade co-create Technology Co.,LTD
 TEL : 0755-27129737 FAX : 0755-29940187

-TOLERANCES- UNLESS OTHERWISE SPECIFIED 公差参数表					TITLE: 2.54mm Pitch Housing 产品名称: Housing			
X.X	±0.30	X.X°	±3°	APPD: 核准:	XIE			
X.XX	±0.30	X.XX°	±2°	CHECK: 校对:	WANG			
X.XXX	±0.10	X.XXX°	±1°	DRAW: 绘图:	WANG			
PART NO: HDGC2547H-XP-3 产品编号:					DATE	SCALE	UNIT	CODE NUMBER
					2013-03-26	4:1	mm	A008

修订 REV	标记 MARK	修改摘要 REVISION DESCRIPTION	签名 SIGNATURE	日期 DATE
AO		NEW RELEASE	WANG	2013-03-26

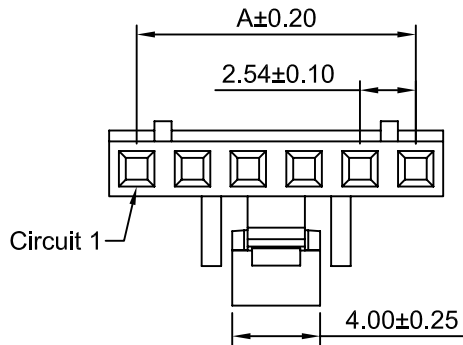


SPECIFICATIONS:

Current Rating: 3A AC,DC
Voltage Rating: 250V AC,DC
Temperature Range: -25°C ~ +85°C
Contact Resistance: 20mΩ Max
Insulation Resistance: 1000MΩ Min
Withstanding Voltage: 1500V AC/minute
Material: PBT,UL94V-0(Black)

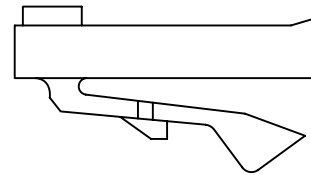
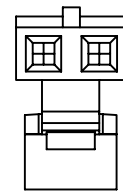
Ordering Information & Dimensions

Circuits	Dimensions(mm)		Circuits	Dimensions(mm)	
	A	B		A	B
2P	2.54	4.92	14P	33.02	35.40
3P	5.08	7.46	15P	35.56	38.94
4P	7.62	10.00	16P	38.10	40.48
5P	10.16	12.54	17P	40.64	43.02
6P	12.70	15.08	18P	43.18	45.56
7P	15.24	17.62	19P	45.72	48.10
8P	17.78	20.16	20P	48.26	50.64
9P	20.32	22.70	21P	50.80	53.18
10P	22.86	25.24	22P	53.34	55.72
11P	25.40	27.78	23P	55.88	58.26
12P	27.94	30.32	24P	58.42	60.80
13P	30.48	33.86	25P	60.96	63.34

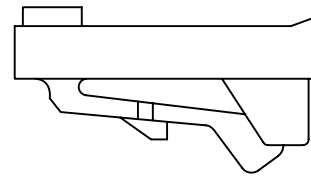
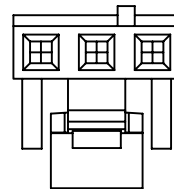


3P~25P

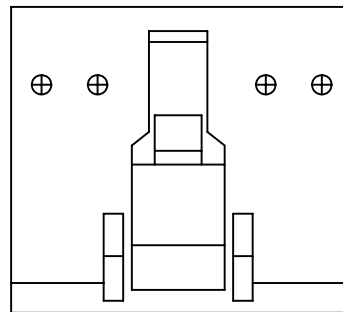
2P



DETAIL FOR 2 POSN ONLY



DETAIL FOR 3 POSN ONLY



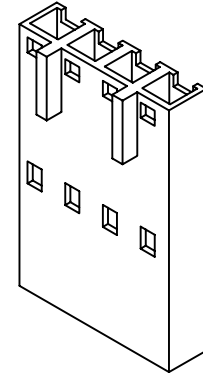
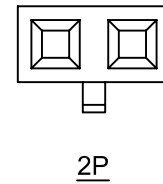
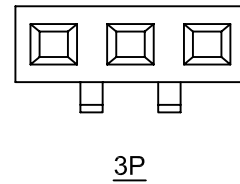
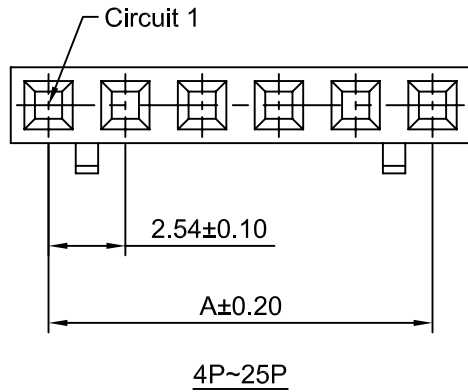
深圳市华德共创科技有限公司

Shenzhen Huade co-create Technology Co.,LTD

TEL : 0755-27129737 FAX : 0755-29940187

-TOLERANCES- UNLESS OTHERWISE SPECIFIED 公差参数表						TITLE: 2.54mm Pitch Housing 产品名称: 2.54mm Pitch Housing			
X.X	±0.30	X.X°	±3°	APPD: 核准:	XIE	PART NO: 产品编号: HDGC2547HA-XP			
X.XX	±0.30	X.XX°	±2°	CHECK: 校对:	WANG	DATE	SCALE	UNIT	CODE NUMBER
X.XXX	±0.10	X.XXX°	±1°	DRAW: 绘图:	WANG	2013-03-26	3:1	mm	A008

修订 REV	标记 MARK	修改摘要 REVISION DESCRIPTION	签名 SIGNATURE	日期 DATE
AO		NEW RELEASE	WANG	2013-03-26

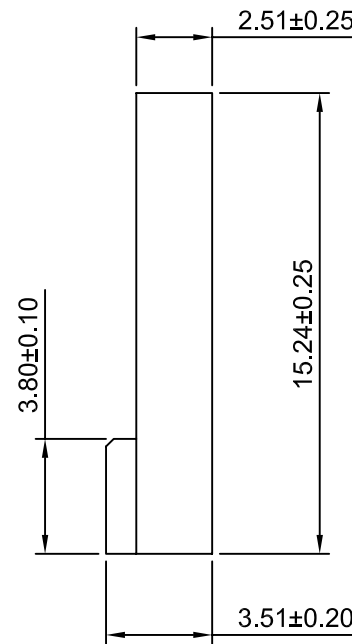
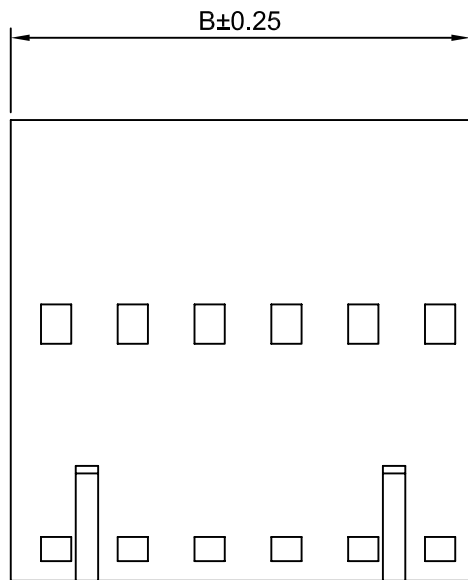


SPECIFICATIONS:

Current Rating: 3A AC,DC
Voltage Rating: 250V AC,DC
Temperature Range: -25°C ~ +85°C
Contact Resistance: 20mΩ Max
Insulation Resistance: 1000MΩ Min
Withstanding Voltage: 1500V AC/minute
Material: PBT,UL94V-0(Black)

Ordering Information & Dimensions

Circuits	Dimensions(mm)		Circuits	Dimensions(mm)	
	A	B		A	B
2P	2.54	5.08	14P	33.02	35.56
3P	5.08	7.62	15P	35.56	38.10
4P	7.62	10.16	16P	38.10	40.64
5P	10.16	12.70	17P	40.64	43.18
6P	12.70	15.24	18P	43.18	45.72
7P	15.24	17.78	19P	45.72	48.26
8P	17.78	20.32	20P	48.26	50.80
9P	20.32	22.86	21P	50.80	53.34
10P	22.86	25.40	22P	53.34	55.88
11P	25.40	27.94	23P	55.88	58.42
12P	27.94	30.48	24P	58.42	60.96
13P	30.48	33.02	25P	60.96	63.50



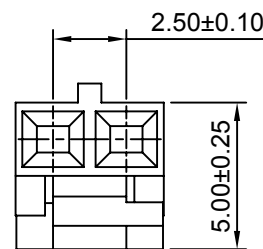
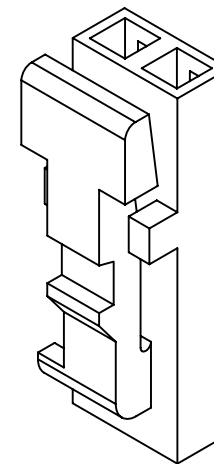
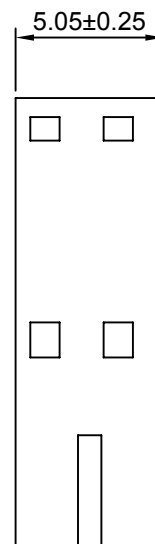
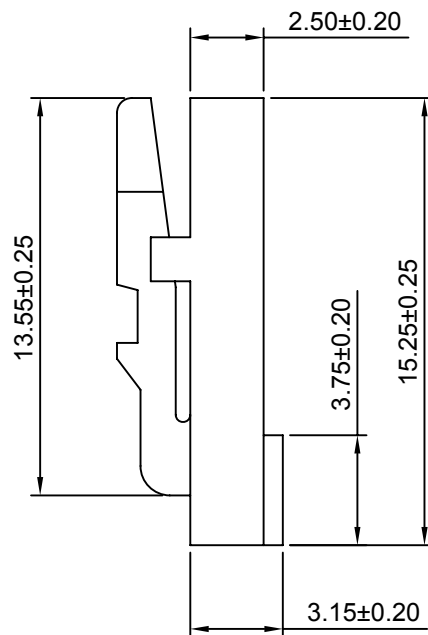
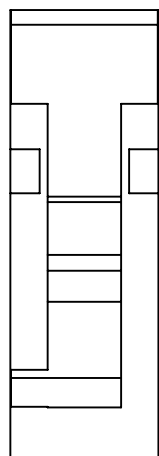
深圳市华德共创科技有限公司

Shenzhen Huade co-create Technology Co.,LTD

TEL : 0755-27129737 FAX : 0755-29940187

-TOLERANCES- UNLESS OTHERWISE SPECIFIED 公差参数表					TITLE: 2.54mm Pitch Housing 产品名称: 2.54mm Pitch Housing			
X.X	±0.30	X.X°	±3°	APPD: 核准: XIE	PART NO: 产品编号: HDGC2547HE-XP			
X.XX	±0.30	X.XX°	±2°	CHECK: 校对: WANG	DATE	SCALE	UNIT	CODE NUMBER
X.XXX	±0.10	X.XXX°	±1°	DRAW: 绘图: WANG	2013-03-26	4:1	mm	A008

修订 REV	标记 MARK	修改摘要 REVISION DESCRIPTION	签名 SIGNATURE	日期 DATE
AO		NEW RELEASE	WANG	2013-03-26



SPECIFICATIONS:
 Current Rating: 3A AC,DC
 Voltage Rating: 250V AC,DC
 Temperature Range: -25°C ~ +85°C
 Contact Resistance: 20mΩ Max
 Insulation Resistance: 1000MΩ Min
 Withstanding Voltage: 1500V AC/minute
 Material: Nylon 66,UL94V-0 (White)

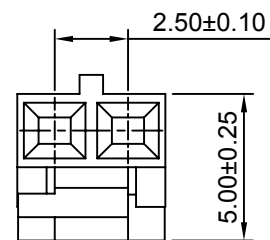
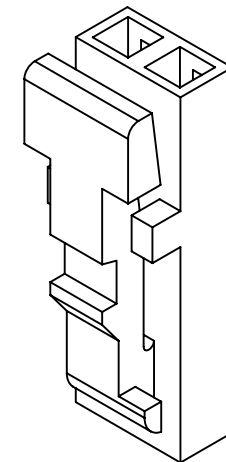
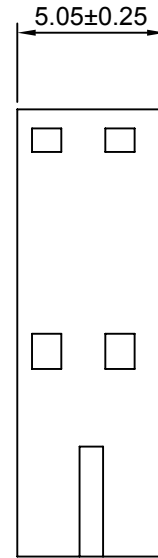
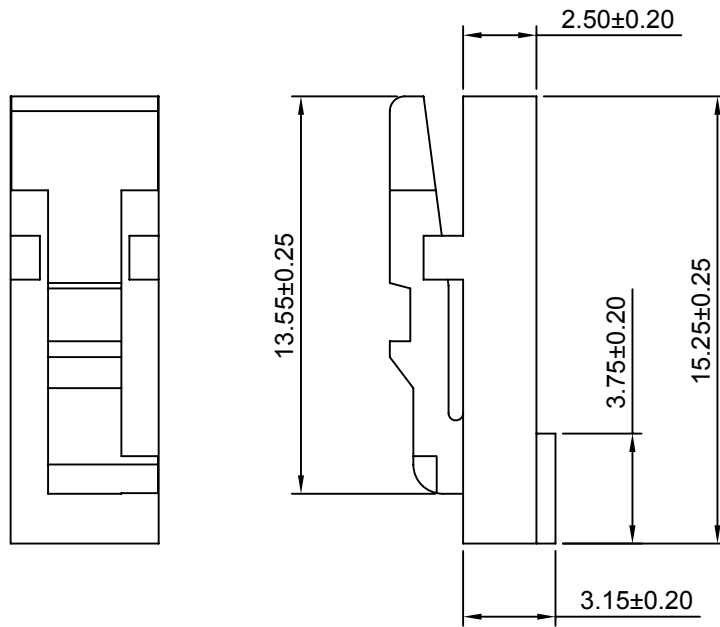


深圳市华德共创科技有限公司

Shenzhen Huade co-create Technology Co.,LTD
 TEL : 0755-27129737 FAX : 0755-29940187


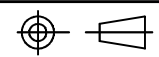
-TOLERANCES- UNLESS OTHERWISE SPECIFIED 公差参数表				 		TITLE: 产品名称 : 2.54mm Pitch Housing			
X.X	±0.30	X.X°	±3°	APPD: 核准 :	XIE	PART NO: 产品编号 : HDGC2547HC-2P			
X.XX	±0.30	X.XX°	±2°	CHECK: 校对 :	WANG	DATE	SCALE	UNIT	CODE NUMBER
X.XXX	±0.10	X.XXX°	±1°	DRAW: 绘图 :	WANG	2013-03-26	4:1	mm	A008

修订 REV	标记 MARK	修改摘要 REVISION DESCRIPTION	签名 SIGNATURE	日期 DATE
AO		NEW RELEASE	WANG	2013-03-26

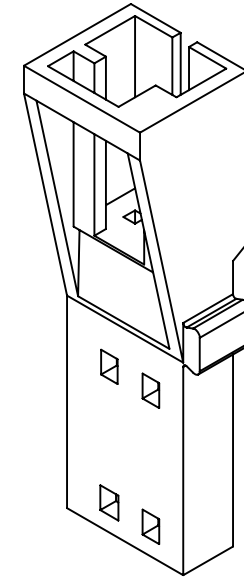
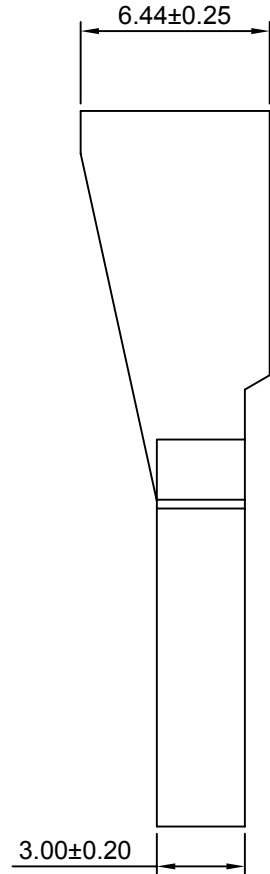
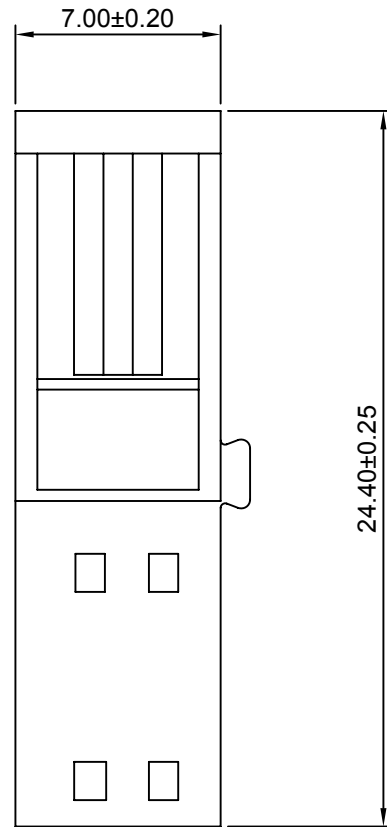
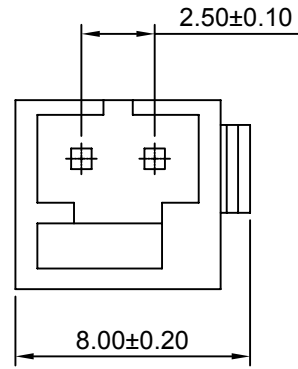


SPECIFICATIONS:

Current Rating: 3A AC,DC
Voltage Rating: 250V AC,DC
Temperature Range: -25°C ~ +85°C
Contact Resistance: 20mΩ Max
Insulation Resistance: 1000MΩ Min
Withstanding Voltage: 1500V AC/minute
Material: Nylon 66,UL94V-0 (White)

 深圳市华德共创科技有限公司 Shenzhen Huade co-create Technology Co.,LTD TEL : 0755-27129737 FAX : 0755-29940187									
-TOLERANCES- UNLESS OTHERWISE SPECIFIED 公差参数表						TITLE: 2.54mm Pitch Housing 产品名称:			
X.X	±0.30	X.X°	±3°	APPD: 核准:	XIE	PART NO: 产品编号: HDGC2547HD-2P			
X.XX	±0.30	X.XX°	±2°	CHECK: 校对:	WANG	DATE	SCALE	UNIT	CODE NUMBER
X.XXX	±0.10	X.XXX°	±1°	DRAW: 绘图:	WANG	2013-03-26	4:1	mm	A008

修订 REV	标记 MARK	修改摘要 REVISION DESCRIPTION	签名 SIGNATURE	日期 DATE
AO		NEW RELEASE	WANG	2013-03-26



SPECIFICATIONS:
 Current Rating: 3A AC,DC
 Voltage Rating: 250V AC,DC
 Temperature Range: -25°C ~ +85°C
 Contact Resistance: 20mΩ Max
 Insulation Resistance: 1000MΩ Min
 Withstanding Voltage: 1500V AC/minute
 Material: Nylon 66,UL94V-0 (White)

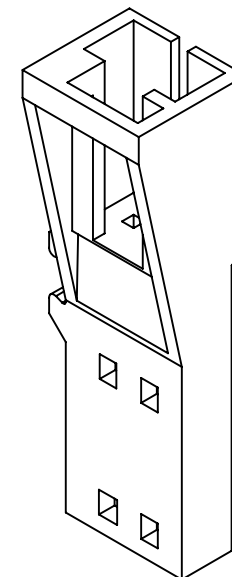
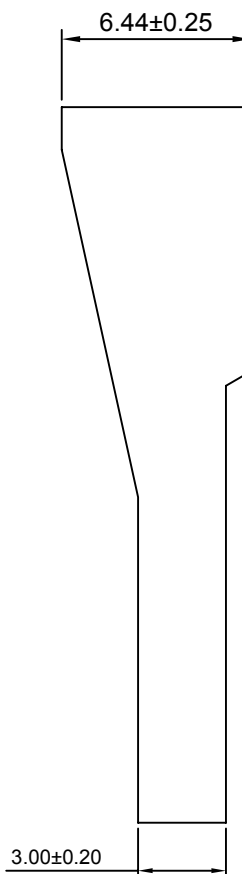
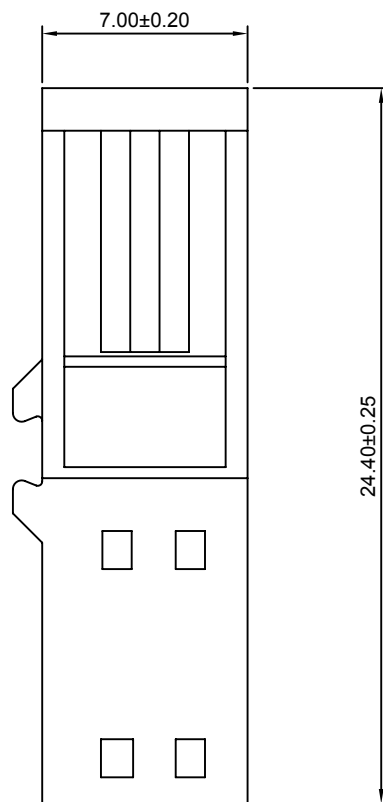
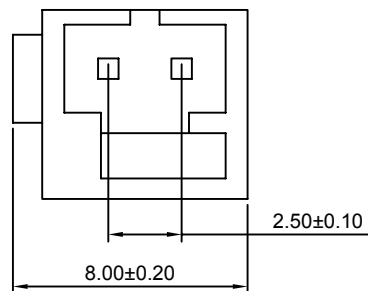


深圳市华德共创科技有限公司

Shenzhen Huade co-create Technology Co.,LTD
 TEL : 0755-27129737 FAX : 0755-29940187

-TOLERANCES- UNLESS OTHERWISE SPECIFIED 公差参数表					TITLE: 产品名称: 2.54mm Pitch Housing			
X.X	±0.30	X.X° ±3°	APPD: 核准:	XIE	PART NO: 产品编号: HDGC2547HMC-2P			
X.XX	±0.30	X.XX° ±2°	CHECK: 校对:	WANG	DATE	SCALE	UNIT	CODE NUMBER
X.XXX	±0.10	X.XXX° ±1°	DRAW: 绘图:	WANG	2013-03-26	4:1	mm	A008

修订 REV	标记 MARK	修改摘要 REVISION DESCRIPTION	签名 SIGNATURE	日期 DATE
AO		NEW RELEASE	WANG	2013-03-26



SPECIFICATIONS:

Current Rating: 3A AC,DC
Voltage Rating: 250V AC,DC
Temperature Range: -25°C ~ +85°C
Contact Resistance: 20mΩ Max
Insulation Resistance: 1000MΩ Min
Withstanding Voltage: 1500V AC/minute
Material: Nylon 66,UL94V-0 (Black)

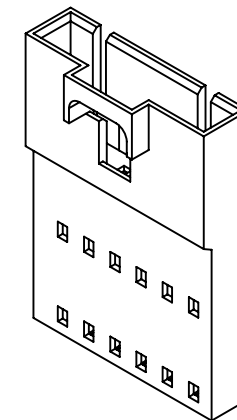
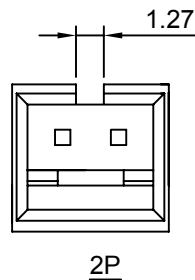
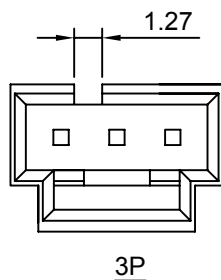
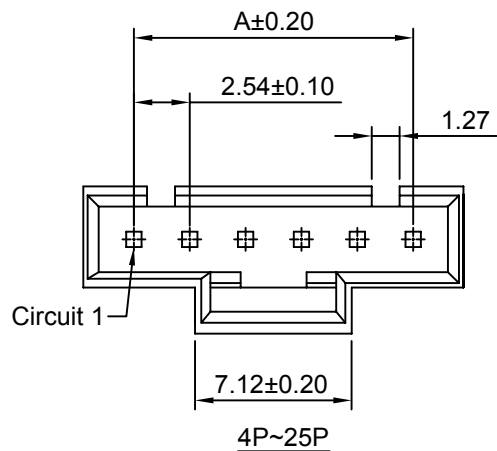


深圳市华德共创科技有限公司

Shenzhen Huade co-create Technology Co.,LTD
TEL : 0755-27129737 FAX : 0755-29940187

-TOLERANCES- UNLESS OTHERWISE SPECIFIED 公差参数表						TITLE: 2.54mm Pitch Housing 产品名称:			
X.X	±0.30	X.X°	±3°	APPD: 核准:	XIE	PART NO: HDGC2547HMD-2P 产品编号:			
X.XX	±0.30	X.XX°	±2°	CHECK: 校对:	WANG	DATE	SCALE	UNIT	CODE NUMBER
X.XXX	±0.10	X.XXX°	±1°	DRAW: 绘图:	WANG	2013-03-26	4:1	mm	A008

修订 REV	标记 MARK	修改摘要 REVISION DESCRIPTION	签名 SIGNATURE	日期 DATE
AO		NEW RELEASE	WANG	2013-03-26

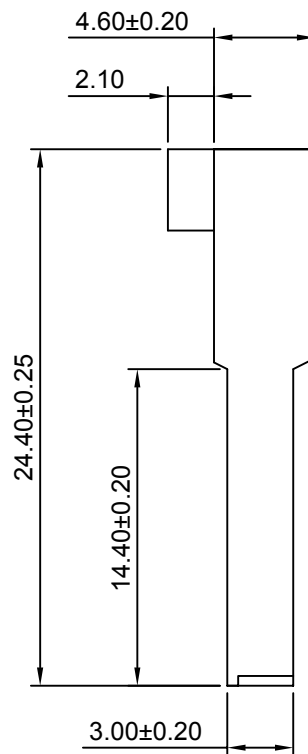
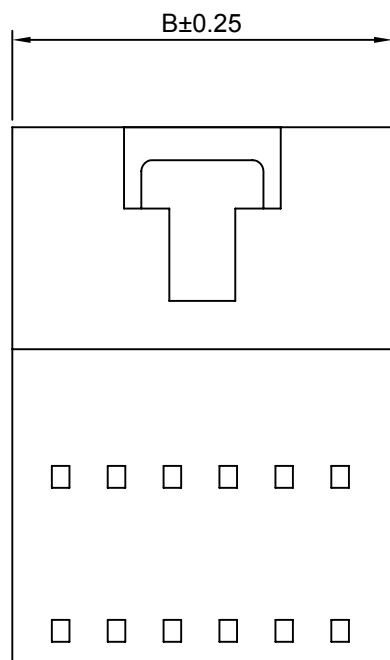


SPECIFICATIONS:

Current Rating: 3A AC,DC
Voltage Rating: 250V AC,DC
Temperature Range: -25°C ~ +85°C
Contact Resistance: 20mΩ Max
Insulation Resistance: 1000MΩ Min
Withstanding Voltage: 1500V AC/minute
Material: PBT,UL94V-0(Black)

Ordering Information & Dimensions

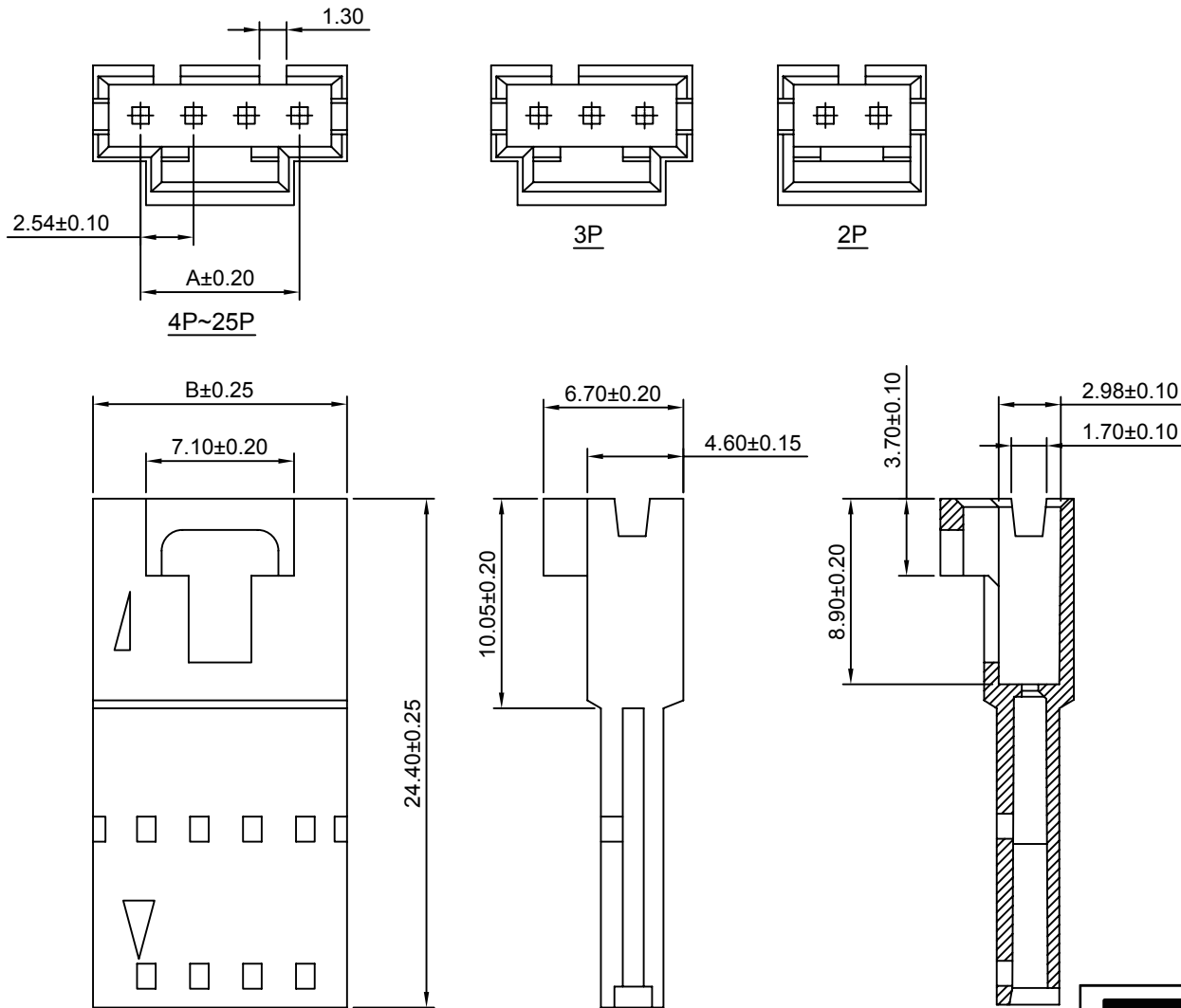
Circuits	Dimensions(mm)		Circuits	Dimensions(mm)	
	A	B		A	B
2P	2.54	7.12	14P	33.02	37.60
3P	5.08	9.66	15P	35.56	40.14
4P	7.62	12.20	16P	38.10	42.68
5P	10.16	14.74	17P	40.64	45.22
6P	12.70	17.28	18P	43.18	47.76
7P	15.24	19.82	19P	45.72	50.30
8P	17.78	22.36	20P	48.26	52.84
9P	20.32	24.90	21P	50.80	55.38
10P	22.86	27.44	22P	53.34	57.92
11P	25.40	29.98	23P	55.88	60.46
12P	27.94	32.52	24P	58.42	63.00
13P	30.48	35.06	25P	60.96	65.54



HDGC 深圳市华德共创科技有限公司
Shenzhen Huade co-create Technology Co.,LTD
TEL : 0755-27129737 FAX : 0755-29940187

-TOLERANCES- UNLESS OTHERWISE SPECIFIED 公差参数表						TITLE: 2.54mm Pitch Housing 产品名称:			
X.X	±0.30	X.X°	±3°	APPD: 核准:	XIE	PART NO: 产品编号: HDGC2547HM-XP			
X.XX	±0.30	X.XX°	±2°	CHECK: 校对:	WANG	DATE	SCALE	UNIT	CODE NUMBER
X.XXX	±0.10	X.XXX°	±1°	DRAW: 绘图:	WANG	2013-03-26	3:1	mm	A008

修订 REV	标记 MARK	修改摘要 REVISION DESCRIPTION	签名 SIGNATURE	日期 DATE
AO		NEW RELEASE	WANG	2013-03-26



SPECIFICATIONS:

Current Rating: 3A AC,DC
Voltage Rating: 250V AC,DC
Temperature Range: -25°C ~ +85°C
Contact Resistance: 20mΩ Max
Insulation Resistance: 1000MΩ Min
Withstanding Voltage: 1500V AC/minute
Material: PBT,UL94V-0(Black)

Ordering Information & Dimensions

Circuits	Dimensions(mm)		Circuits	Dimensions(mm)	
	A	B		A	B
2P	2.54	7.12	14P	33.02	37.60
3P	5.08	9.66	15P	35.56	40.14
4P	7.62	12.20	16P	38.10	42.68
5P	10.16	14.74	17P	40.64	45.22
6P	12.70	17.28	18P	43.18	47.76
7P	15.24	19.82	19P	45.72	50.30
8P	17.78	22.36	20P	48.26	52.84
9P	20.32	24.90	21P	50.80	55.38
10P	22.86	27.44	22P	53.34	57.92
11P	25.40	29.98	23P	55.88	60.46
12P	27.94	32.52	24P	58.42	63.00
13P	30.48	35.06	25P	60.96	65.54

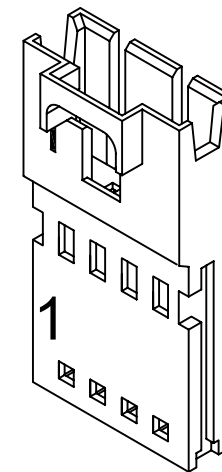
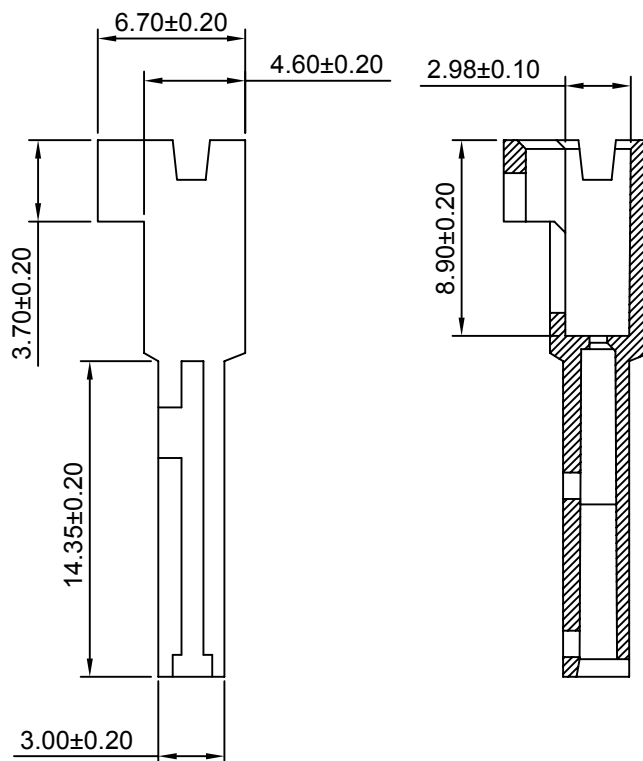
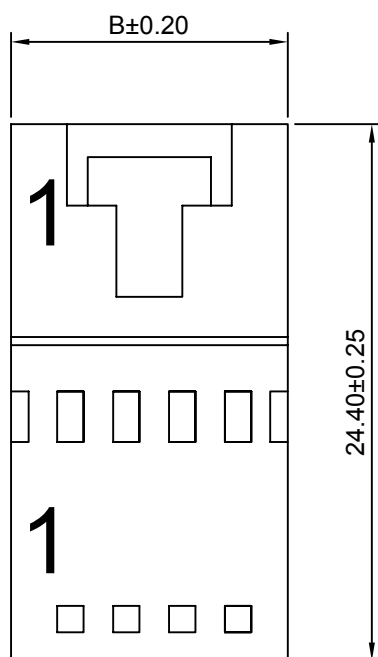
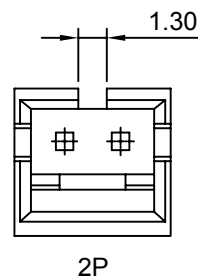
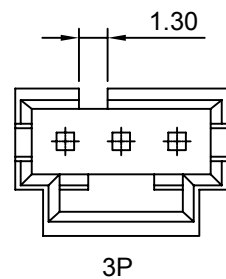
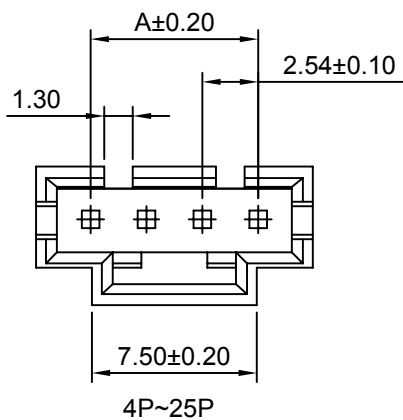


深圳市华德共创科技有限公司

Shenzhen Huade co-create Technology Co.,LTD
TEL : 0755-27129737 FAX : 0755-29940187

-TOLERANCES- UNLESS OTHERWISE SPECIFIED 公差参数表						TITLE: 2.54mm Pitch Housing 产品名称:			
X.X	±0.30	X.X°	±3°	APPD: 核准:	XIE	PART NO: 产品编号: HDGC2547HMA-XP			
X.XX	±0.30	X.XX°	±2°	CHECK: 校对:	WANG	DATE	SCALE	UNIT	CODE NUMBER
X.XXX	±0.10	X.XXX°	±1°	DRAW: 绘图:	WANG	2013-03-26	3:1	mm	A008

修订 REV	标记 MARK	修改摘要 REVISION DESCRIPTION	签名 SIGNATURE	日期 DATE
AO		NEW RELEASE	WANG	2013-03-26



SPECIFICATIONS:

Current Rating: 3A AC,DC
Voltage Rating: 250V AC,DC
Temperature Range: -25°C ~ +85°C
Contact Resistance: 20mΩ Max
Insulation Resistance: 1000MΩ Min
Withstanding Voltage: 1500V AC/minute
Material: PBT,UL94V-0(Black)

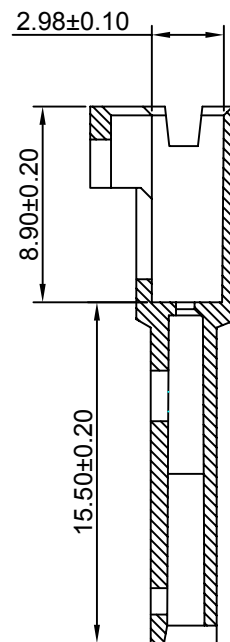
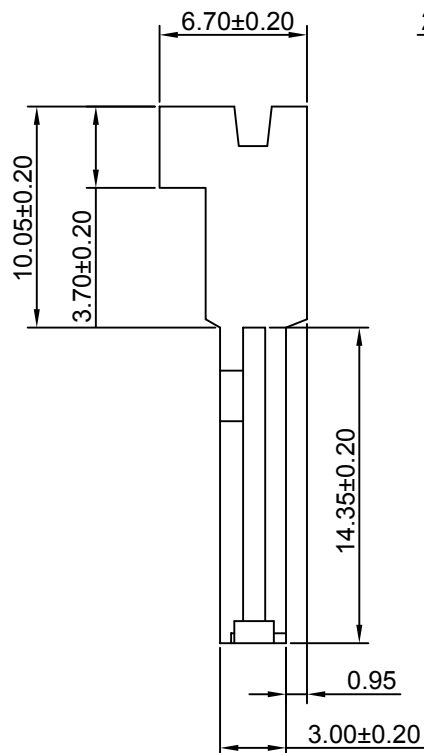
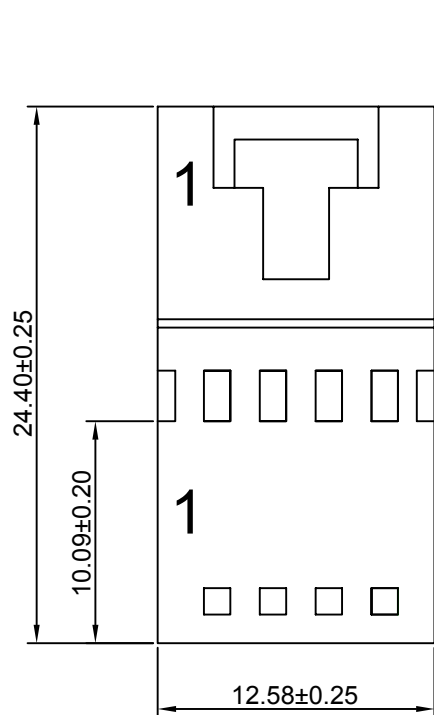
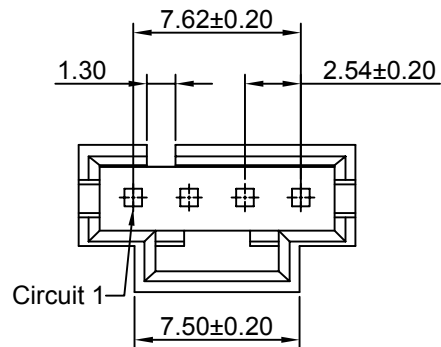
Ordering Information & Dimensions

Circuits	Dimensions(mm)		Circuits	Dimensions(mm)	
	A	B		A	B
2P	2.54	7.50	14P	33.02	37.98
3P	5.08	10.04	15P	35.56	40.52
4P	7.62	12.58	16P	38.10	43.06
5P	10.16	15.12	17P	40.64	45.60
6P	12.70	17.66	18P	43.18	48.14
7P	15.24	20.20	19P	45.72	50.68
8P	17.78	22.74	20P	48.26	53.22
9P	20.32	25.28	21P	50.80	55.76
10P	22.86	27.82	22P	53.34	58.30
11P	25.40	30.36	23P	55.88	60.84
12P	27.94	32.90	24P	58.42	63.38
13P	30.48	35.44	25P	60.96	65.92

HDGC 深圳市华德共创科技有限公司
Shenzhen Huade co-create Technology Co.,LTD
TEL : 0755-27129737 FAX : 0755-29940187

-TOLERANCES- UNLESS OTHERWISE SPECIFIED 公差参数表						TITLE: 2.54mm Pitch Housing 产品名称: 2.54mm Pitch Housing			
X.X	±0.30	X.X°	±3°	APPD: 核准:	XIE	PART NO: 产品编号: HDGC2547HMB-XP			
X.XX	±0.30	X.XX°	±2°	CHECK: 校对:	WANG	DATE	SCALE	UNIT	CODE NUMBER
X.XXX	±0.10	X.XXX°	±1°	DRAW: 绘图:	WANG	2013-03-26	3:1	mm	A008

修订 REV	标记 MARK	修改摘要 REVISION DESCRIPTION	签名 SIGNATURE	日期 DATE
AO		NEW RELEASE	WANG	2014-12-02



SPECIFICATIONS:

Current Rating: 3A AC,DC
Voltage Rating: 250V AC,DC
Temperature Range: -25°C ~ +85°C
Contact Resistance: 20mΩ Max
Insulation Resistance: 1000MΩ Min
Withstanding Voltage: 1500V AC/minute
Pin Material: Brass/Tin over Nickel
Material: PBT30%GF,UL94V-0 (Black)



深圳市华德共创科技有限公司

Shenzhen Huade co-create Technology Co.,LTD
TEL : 0755-27129737 FAX : 0755-29940187

-TOLERANCES- UNLESS OTHERWISE SPECIFIED 公差参数表						TITLE: 2.54mm Pitch Housing 产品名称:			
X.X	±0.30	X.X°	±3°	APPD: 核准:	XIE	PART NO: HDGC2547HMB-4P-A 产品编号:			
X.XX	±0.30	X.XX°	±2°	CHECK: 校对:	WANG	DATE	SCALE	UNIT	CODE NUMBER
X.XXX	±0.10	X.XXX°	±1°	DRAW: 绘图:	WANG	2014-12-02	3:1	mm	A008

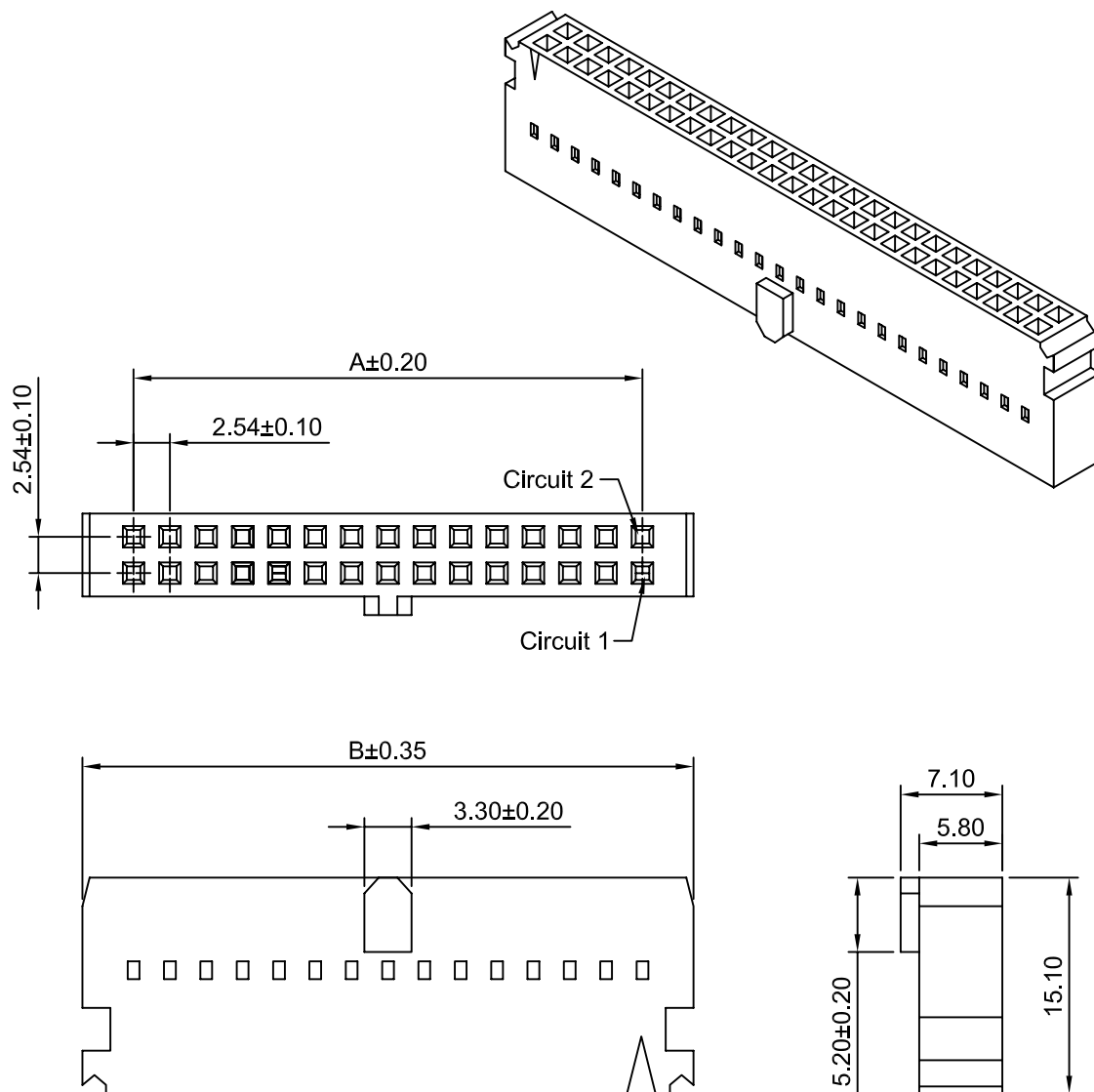
修订 REV	标记 MARK	修改摘要 REVISION DESCRIPTION	签名 SIGNATURE	日期 DATE
AO		NEW RELEASE	WANG	2014-12-02

SPECIFICATIONS:

Current Rating: 3A AC,DC
Voltage Rating: 250V AC,DC
Temperature Range: -25°C ~ +85°C
Contact Resistance: 20mΩ Max
Insulation Resistance: 1000MΩ Min
Withstanding Voltage: 1500V AC/minute
Material: PBT,UL94V-0(Black)

Ordering Information & Dimensions

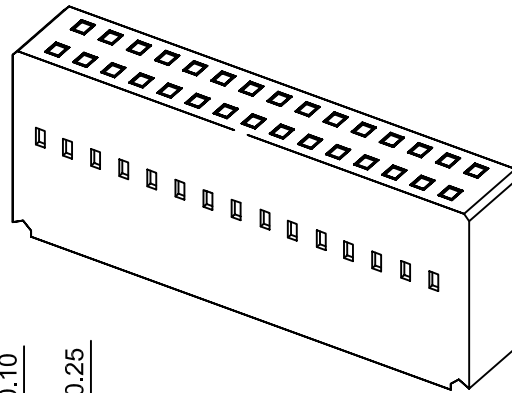
Circuits	Dimensions(mm)		Circuits	Dimensions(mm)	
	A	B		A	B
2x3P	5.08	12.22	2x18P	43.18	50.32
2x4P	7.62	14.76	2x19P	45.72	52.86
2x5P	10.16	17.30	2x20P	48.26	55.40
2x6P	12.70	19.84	2x21P	50.80	57.94
2x7P	15.24	22.38	2x22P	53.34	60.48
2x8P	17.78	24.92	2x23P	55.88	63.02
2x9P	20.32	27.46	2x24P	58.42	65.56
2x10P	22.86	30.00	2x25P	60.96	68.10
2x11P	25.40	32.54	2x26P	63.50	70.64
2x12P	27.94	35.08	2x27P	66.04	73.18
2x13P	30.48	37.62	2x28P	68.58	75.72
2x14P	33.02	40.16	2x29P	71.12	78.26
2x15P	35.56	42.70	2x30P	73.66	80.80
2x16P	38.10	45.24	2x31P	76.20	83.34
2x17P	40.64	47.78	2x32P	78.74	85.88



HDGC 深圳市华德共创科技有限公司
Shenzhen Huade co-create Technology Co.,LTD
TEL : 0755-27129737 FAX : 0755-29940187

-TOLERANCES- UNLESS OTHERWISE SPECIFIED 公差参数表						TITLE: 2.54mm Pitch Housing 产品名称:			
X.X	±0.30	X.X°	±3°	APPD: 核准:	XIE	PART NO: HDGC2547HA-2xXP 产品编号:			
X.XX	±0.30	X.XX°	±2°	CHECK: 校对:	WANG	DATE	SCALE	UNIT	CODE NUMBER
X.XXX	±0.10	X.XXX°	±1°	DRAW: 绘图:	WANG	2014-12-02	2:1	mm	A008

修订 REV	标记 MARK	修改摘要 REVISION DESCRIPTION	签名 SIGNATURE	日期 DATE
AO		NEW RELEASE	WANG	2014-12-02

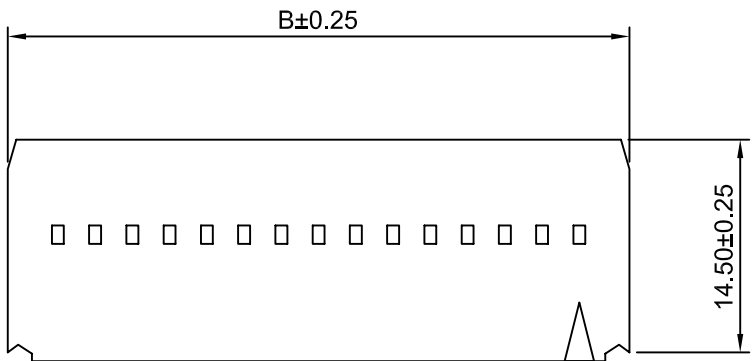
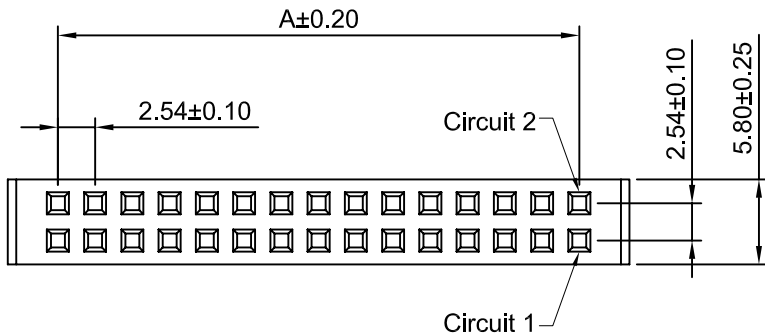


SPECIFICATIONS:

Current Rating: 3A AC,DC
Voltage Rating: 250V AC,DC
Temperature Range: -25°C ~ +85°C
Contact Resistance: 20mΩ Max
Insulation Resistance: 1000MΩ Min
Withstanding Voltage: 1500V AC/minute
Material: PBT,UL94V-0(Black)

Ordering Information & Dimensions

Circuits	Dimensions(mm)		Circuits	Dimensions(mm)	
	A	B		A	B
2x3P	5.08	12.22	2x18P	43.18	50.32
2x4P	7.62	14.76	2x19P	45.72	52.86
2x5P	10.16	17.30	2x20P	48.26	55.40
2x6P	12.70	19.84	2x21P	50.80	57.94
2x7P	15.24	22.38	2x22P	53.34	60.48
2x8P	17.78	24.92	2x23P	55.88	63.02
2x9P	20.32	27.46	2x24P	58.42	65.56
2x10P	22.86	30.00	2x25P	60.96	68.10
2x11P	25.40	32.54	2x26P	63.50	70.64
2x12P	27.94	35.08	2x27P	66.04	73.18
2x13P	30.48	37.62	2x28P	68.58	75.72
2x14P	33.02	40.16	2x29P	71.12	78.26
2x15P	35.56	42.70	2x30P	73.66	80.80
2x16P	38.10	45.24	2x31P	76.20	83.34
2x17P	40.64	47.78	2x32P	78.74	85.88



HDGC 深圳市华德共创科技有限公司
Shenzhen Huade co-create Technology Co.,LTD
TEL : 0755-27129737 FAX : 0755-29940187

-TOLERANCES- UNLESS OTHERWISE SPECIFIED 公差参数表						TITLE: 2.54mm Pitch Housing 产品名称:			
X.X	±0.30	X.X°	±3°	APPD: 核准:	XIE	PART NO: 产品编号: HDGC2547HB-2xXP			
X.XX	±0.30	X.XX°	±2°	CHECK: 校对:	WANG	DATE	SCALE	UNIT	CODE NUMBER
X.XXX	±0.10	X.XXX°	±1°	DRAW: 绘图:	WANG	2014-12-02	2:1	mm	A008

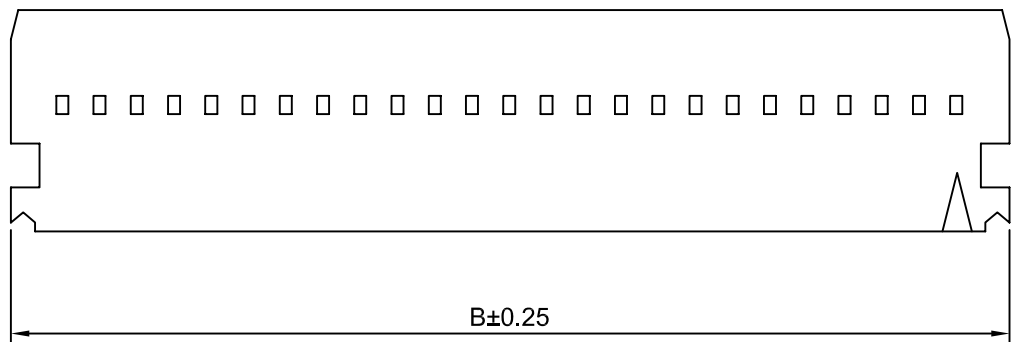
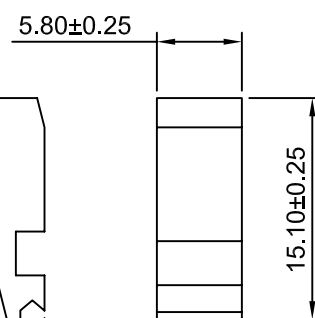
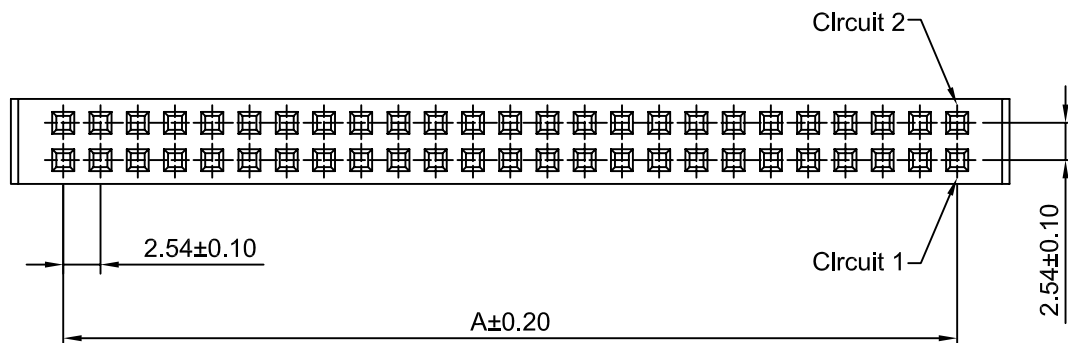
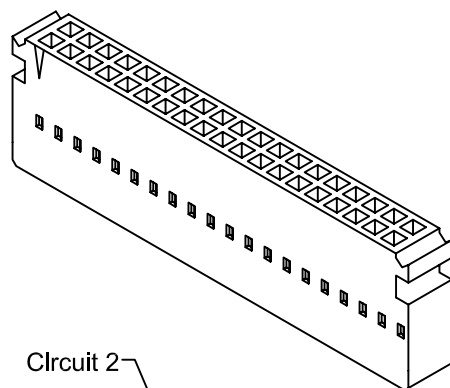
修订 REV	标记 MARK	修改摘要 REVISION DESCRIPTION	签名 SIGNATURE	日期 DATE
AO		NEW RELEASE	WANG	2014-12-02

SPECIFICATIONS:

Current Rating: 3A AC,DC
Voltage Rating: 250V AC,DC
Temperature Range: -25°C ~ +85°C
Contact Resistance: 20mΩ Max
Insulation Resistance: 1000MΩ Min
Withstanding Voltage: 1500V AC/minute
Material: PBT 30%GF,UL94V-0(Black)

Ordering Information & Dimensions

Circuits	Dimensions(mm)		Circuits	Dimensions(mm)	
	A	B		A	B
2x2P	2.54	9.68	2x18P	43.18	50.32
2x3P	5.08	12.22	2x19P	45.72	52.86
2x4P	7.62	14.76	2x20P	48.26	55.40
2x5P	10.16	17.30	2x21P	50.80	57.94
2x6P	12.70	19.84	2x22P	53.34	60.48
2x7P	15.24	22.38	2x23P	55.88	63.02
2x8P	17.78	24.92	2x24P	58.42	65.56
2x9P	20.32	27.46	2x25P	60.96	68.10
2x10P	22.86	30.00	2x26P	63.50	70.64
2x11P	25.40	32.54	2x27P	66.04	73.18
2x12P	27.94	35.08	2x28P	68.58	75.72
2x13P	30.48	37.62	2x29P	71.12	78.26
2x14P	33.02	40.16	2x30P	73.66	80.80
2x15P	35.56	42.70	2x31P	76.20	83.34
2x16P	38.10	45.24	2x32P	78.74	85.88
2x17P	40.64	47.78			

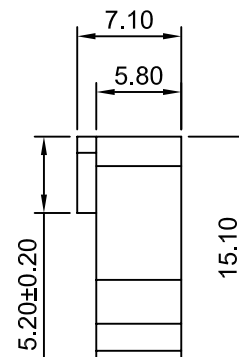
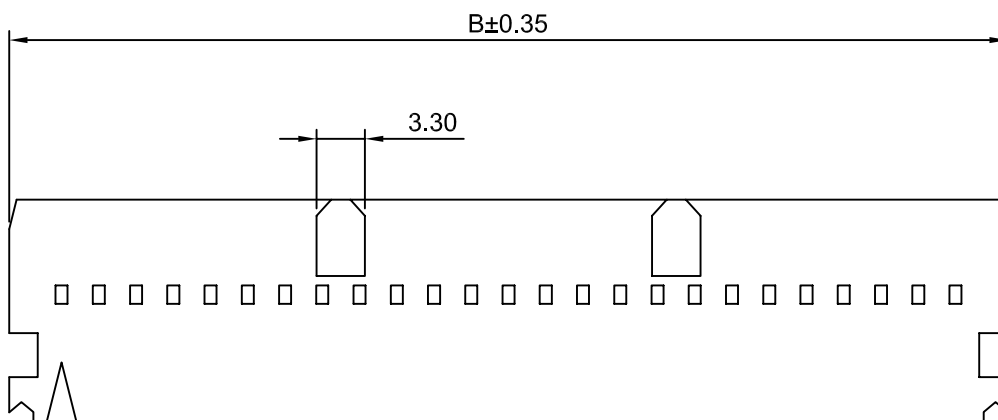
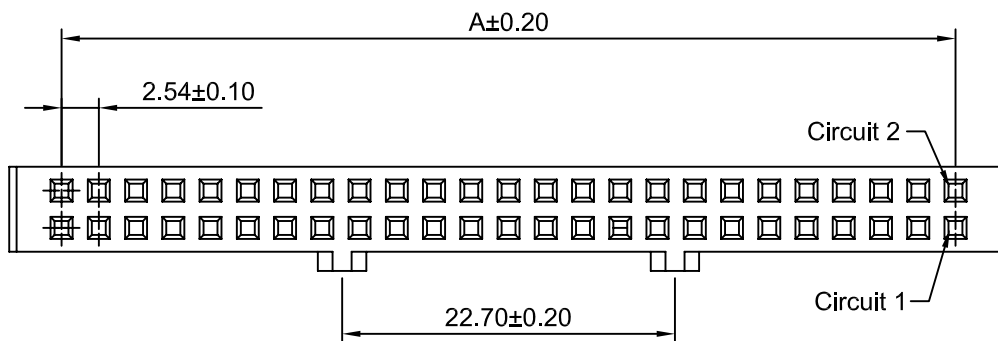




深圳市华德共创科技有限公司
Shenzhen Huade co-create Technology Co.,LTD
TEL : 0755-27129737 FAX : 0755-29940187

-TOLERANCES- UNLESS OTHERWISE SPECIFIED 公差参数表				 	TITLE: 2.54mm Pitch Housing 产品名称: 2.54mm Pitch Housing			
X.X	±0.30	X.X°	±3°	APPD: 核准:	XIE			
X.XX	±0.30	X.XX°	±2°	CHECK: 校对:	WANG			
X.XXX	±0.10	X.XXX°	±1°	DRAW: 绘图:	WANG			
PART NO: 产品编号:					HDGC2547HC-2xXP			
		DATE	SCALE	UNIT	CODE NUMBER			
		2014-12-02	2:1	mm	A008			

修订 REV	标记 MARK	修改摘要 REVISION DESCRIPTION	签名 SIGNATURE	日期 DATE
AO		NEW RELEASE	WANG	2014-12-02



SPECIFICATIONS:

Current Rating: 3A AC,DC
Voltage Rating: 250V AC,DC
Temperature Range: -25°C ~ +85°C
Contact Resistance: 20mΩ Max
Insulation Resistance: 1000MΩ Min
Withstanding Voltage: 1500V AC/minute
Material: PBT,UL94V-0(Black)

Ordering Information & Dimensions

Circuits	Dimensions(mm)		Circuits	Dimensions(mm)	
	A	B		A	B
2x25P	60.96	68.10	2x32P	78.74	85.88
2x30P	73.66	80.80			



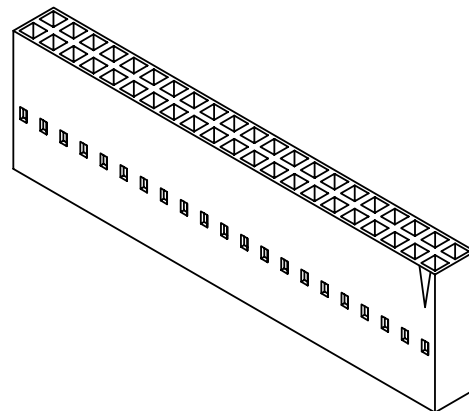
深圳市华德共创科技有限公司

Shenzhen Huade co-create Technology Co.,LTD

TEL : 0755-27129737 FAX : 0755-29940187

-TOLERANCES- UNLESS OTHERWISE SPECIFIED 公差参数表						TITLE: 2.54mm Pitch Housing 产品名称 :			
X.X	±0.30	X.X°	±3°	APPD: 核准 :	XIE	PART NO: HDGC2547HD-2xXP 产品编号 :			
X.XX	±0.30	X.XX°	±2°	CHECK: 校对 :	WANG	DATE	SCALE	UNIT	CODE NUMBER
X.XXX	±0.10	X.XXX°	±1°	DRAW: 绘图 :	WANG	2014-12-02	2:1	mm	A008

修订 REV	标记 MARK	修改摘要 REVISION DESCRIPTION	签名 SIGNATURE	日期 DATE
AO		NEW RELEASE	WANG	2014-12-02

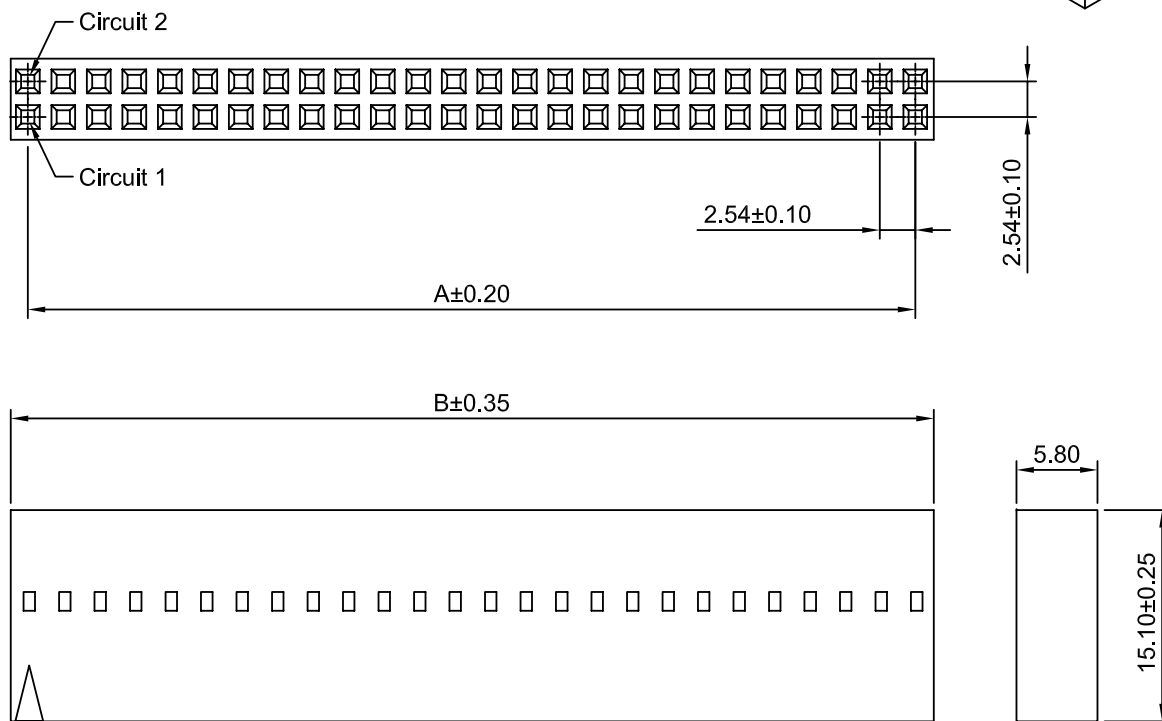


SPECIFICATIONS:

Current Rating: 3A AC,DC
Voltage Rating: 250V AC,DC
Temperature Range: -25°C ~ +85°C
Contact Resistance: 20mΩ Max
Insulation Resistance: 1000MΩ Min
Withstanding Voltage: 1500V AC/minute
Material: PBT,UL94V-0(Black)

Ordering Information & Dimensions

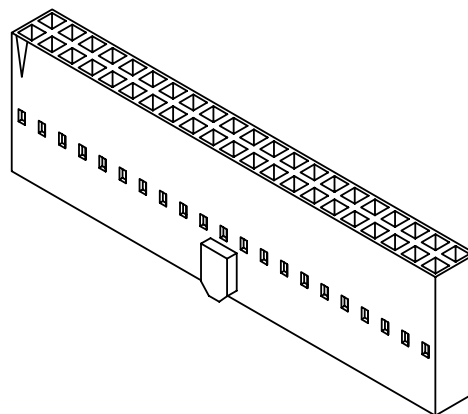
Circuits	Dimensions(mm)		Circuits	Dimensions(mm)	
	A	B		A	B
2x2P	2.54	5.05	2x18P	43.18	45.69
2x3P	5.08	7.59	2x19P	45.72	48.23
2x4P	7.62	10.13	2x20P	48.26	50.77
2x5P	10.16	12.67	2x21P	50.80	53.31
2x6P	12.70	15.21	2x22P	53.34	55.85
2x7P	15.24	17.75	2x23P	55.88	58.39
2x8P	17.78	20.29	2x24P	58.42	60.93
2x9P	20.32	22.83	2x25P	60.96	63.47
2x10P	22.86	25.37	2x26P	63.50	66.01
2x11P	25.40	27.91	2x27P	66.04	68.55
2x12P	27.94	30.45	2x28P	68.58	71.09
2x13P	30.48	32.99	2x29P	71.12	73.63
2x14P	33.02	35.53	2x30P	73.66	76.17
2x15P	35.56	38.07	2x31P	76.20	78.71
2x16P	38.10	40.61	2x32P	78.74	81.25
2x17P	40.64	43.15			



深圳市华德共创科技有限公司
Shenzhen Huade co-create Technology Co.,LTD
TEL : 0755-27129737 FAX : 0755-29940187

-TOLERANCES- UNLESS OTHERWISE SPECIFIED 公差参数表			TITLE: 2.54mm Pitch Housing 产品名称: 2.54mm Pitch Housing			
X.X ±0.30	X.X° ±3°	APPD: 核准: XIE	PART NO: HDGC2547HF-2xXP 产品编号:			
X.XX ±0.30	X.XX° ±2°	CHECK: 校对: WANG	DATE	SCALE	UNIT	CODE NUMBER
X.XXX ±0.10	X.XXX° ±1°	DRAW: 绘图: WANG	2014-12-02	2:1	mm	A008

修订 REV	标记 MARK	修改摘要 REVISION DESCRIPTION	签名 SIGNATURE	日期 DATE
AO		NEW RELEASE	WANG	2014-12-02

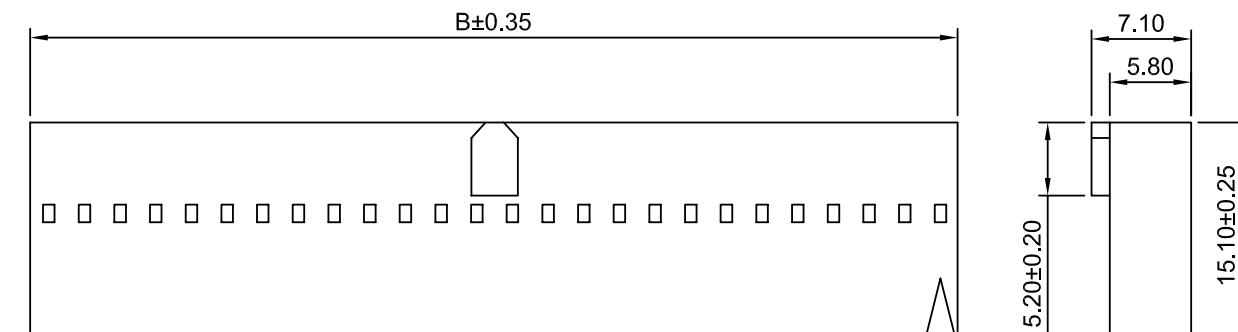
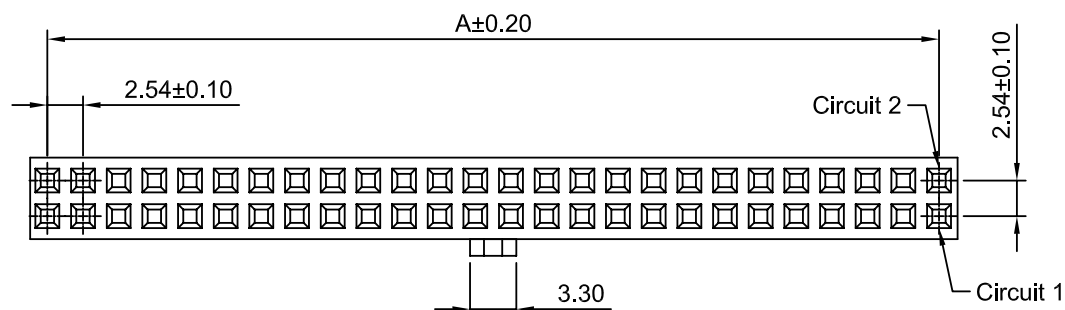


SPECIFICATIONS:

Current Rating: 3A AC,DC
Voltage Rating: 250V AC,DC
Temperature Range: -25°C ~ +85°C
Contact Resistance: 20mΩ Max
Insulation Resistance: 1000MΩ Min
Withstanding Voltage: 1500V AC/minute
Material: PBT,UL94V-0(Black)

Ordering Information & Dimensions

Circuits	Dimensions(mm)		Circuits	Dimensions(mm)	
	A	B		A	B
2x3P	5.08	7.59	2x18P	43.18	45.69
2x4P	7.62	10.13	2x19P	45.72	48.23
2x5P	10.16	12.67	2x20P	48.26	50.77
2x6P	12.70	15.21	2x21P	50.80	53.31
2x7P	15.24	17.75	2x22P	53.34	55.85
2x8P	17.78	20.29	2x23P	55.88	58.39
2x9P	20.32	22.83	2x24P	58.42	60.93
2x10P	22.86	25.37	2x25P	60.96	63.47
2x11P	25.40	27.91	2x26P	63.50	66.01
2x12P	27.94	30.45	2x27P	66.04	68.55
2x13P	30.48	32.99	2x28P	68.58	71.09
2x14P	33.02	35.53	2x29P	71.12	73.63
2x15P	35.56	38.07	2x30P	73.66	76.17
2x16P	38.10	40.61	2x31P	76.20	78.71
2x17P	40.64	43.15	2x32P	78.74	81.25

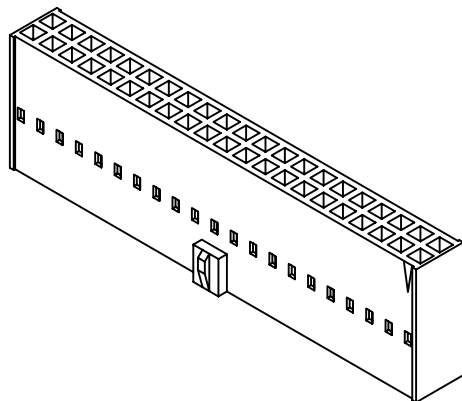


深圳市华德共创科技有限公司

Shenzhen Huade co-create Technology Co.,LTD
TEL : 0755-27129737 FAX : 0755-29940187

-TOLERANCES- UNLESS OTHERWISE SPECIFIED 公差参数表						TITLE: 2.54mm Pitch Housing 产品名称:			
X.X	±0.30	X.X°	±3°	APPD: 核准:	XIE	PART NO: 产品编号: HDGC2547HG-2xXP			
X.XX	±0.30	X.XX°	±2°	CHECK: 校对:	WANG	DATE	SCALE	UNIT	CODE NUMBER
X.XXX	±0.10	X.XXX°	±1°	DRAW: 绘图:	WANG	2014-12-02	2:1	mm	A008

修订 REV	标记 MARK	修改摘要 REVISION DESCRIPTION	签名 SIGNATURE	日期 DATE
AO		NEW RELEASE	WANG	2014-12-02

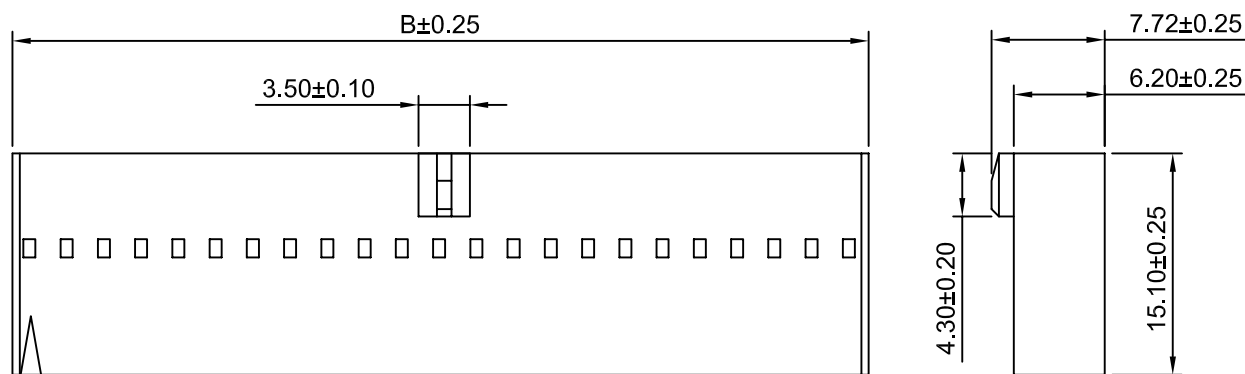
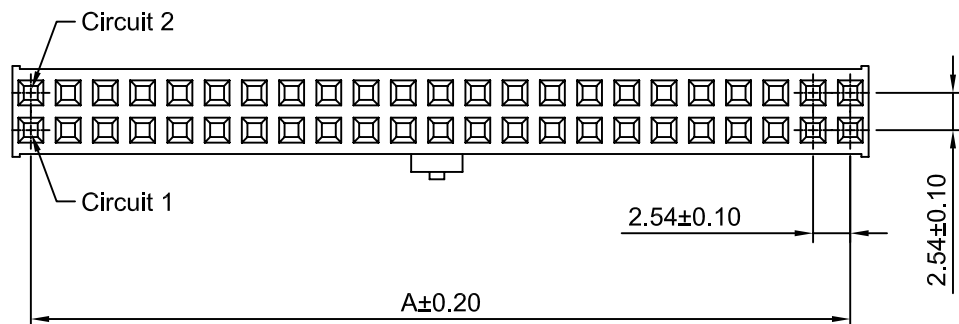


SPECIFICATIONS:

Current Rating: 3A AC,DC
Voltage Rating: 250V AC,DC
Temperature Range: -25°C ~ +85°C
Contact Resistance: 20mΩ Max
Insulation Resistance: 1000MΩ Min
Withstanding Voltage: 1500V AC/minute
Material: PBT,UL94V-0(Black)

Ordering Information & Dimensions

Circuits	Dimensions(mm)		Circuits	Dimensions(mm)	
	A	B		A	B
2x3P	5.08	7.72	2x18P	43.18	45.82
2x4P	7.62	10.26	2x19P	45.72	48.36
2x5P	10.16	12.80	2x20P	48.26	50.90
2x6P	12.70	15.34	2x21P	50.80	53.44
2x7P	15.24	17.88	2x22P	53.34	55.98
2x8P	17.78	20.42	2x23P	55.88	58.52
2x9P	20.32	22.96	2x24P	58.42	61.06
2x10P	22.86	25.50	2x25P	60.96	63.60
2x11P	25.40	28.04	2x26P	63.50	66.14
2x12P	27.94	30.58	2x27P	66.04	68.68
2x13P	30.48	33.12	2x28P	68.58	71.22
2x14P	33.02	35.66	2x29P	71.12	73.76
2x15P	35.56	38.20	2x30P	73.66	76.30
2x16P	38.10	40.74	2x31P	76.20	78.84
2x17P	40.64	43.28	2x32P	78.74	81.38



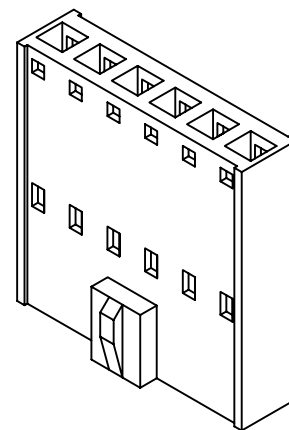
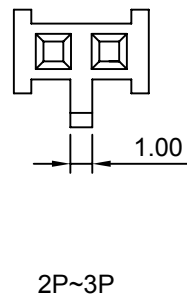
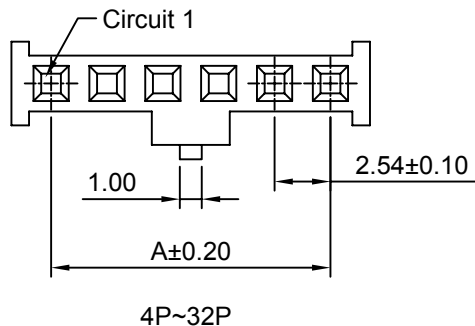
深圳市华德共创科技有限公司

Shenzhen Huade co-create Technology Co.,LTD

TEL : 0755-27129737 FAX : 0755-29940187

-TOLERANCES- UNLESS OTHERWISE SPECIFIED 公差参数表						TITLE: 2.54mm Pitch Housing 产品名称:			
X.X	±0.30	X.X°	±3°	APPD: 核准:	XIE	PART NO: 产品编号: HDGC2547HJ-2xXP			
X.XX	±0.30	X.XX°	±2°	CHECK: 校对:	WANG	DATE	SCALE	UNIT	CODE NUMBER
X.XXX	±0.10	X.XXX°	±1°	DRAW: 绘图:	WANG	2014-12-02	2:1	mm	A008

修订 REV	标记 MARK	修改摘要 REVISION DESCRIPTION	签名 SIGNATURE	日期 DATE
AO		NEW RELEASE	WANG	2014-12-02

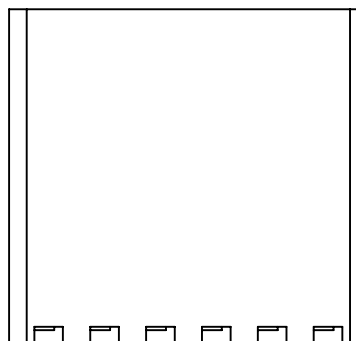
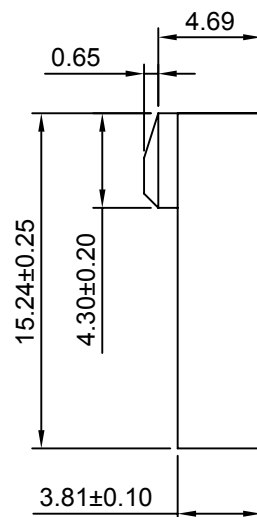
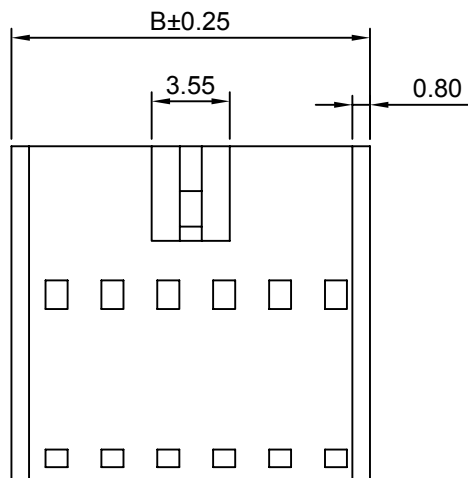


SPECIFICATIONS:

Current Rating: 3A AC,DC
Voltage Rating: 250V AC,DC
Temperature Range: -25°C ~ +85°C
Contact Resistance: 20mΩ Max
Insulation Resistance: 1000MΩ Min
Withstanding Voltage: 1500V AC/minute
Material: PBT,UL94V-0(Black)

Ordering Information & Dimensions

Circuits	Dimensions(mm)		Circuits	Dimensions(mm)	
	A	B		A	B
2P	2.54	6.14	18P	43.18	46.78
3P	5.08	8.68	19P	45.72	49.32
4P	7.62	11.22	20P	48.26	51.86
5P	10.16	13.76	21P	50.80	54.40
6P	12.70	16.30	22P	53.34	56.94
7P	15.24	18.84	23P	55.88	59.48
8P	17.78	21.38	24P	58.42	62.02
9P	20.32	23.92	25P	60.96	64.56
10P	22.86	26.46	26P	63.50	67.10
11P	25.40	29.00	27P	66.04	69.64
12P	27.94	31.54	28P	68.58	72.18
13P	30.48	34.08	29P	71.12	74.72
14P	33.02	36.62	30P	73.66	77.26
15P	35.56	39.16	31P	76.20	79.80
16P	38.10	41.70	32P	78.74	82.34
17P	40.64	44.24			

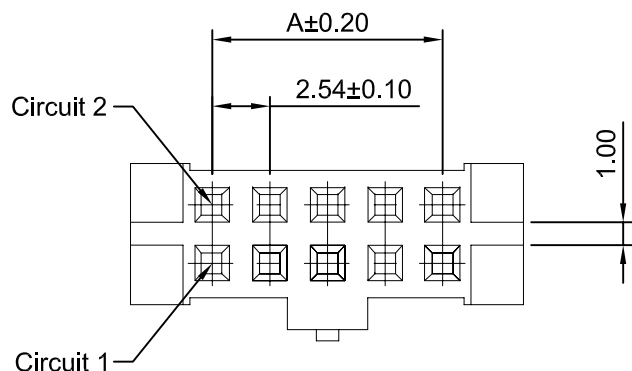


深圳市华德共创科技有限公司

Shenzhen Huade co-create Technology Co.,LTD
TEL : 0755-27129737 FAX : 0755-29940187

-TOLERANCES- UNLESS OTHERWISE SPECIFIED 公差参数表						TITLE: 2.54mm Pitch Housing 产品名称:			
X.X	±0.30	X.X°	±3°	APPD: 核准:	XIE	PART NO: 产品编号: HDGC2547HJ-XP			
X.XX	±0.30	X.XX°	±2°	CHECK: 校对:	WANG	DATE	SCALE	UNIT	CODE NUMBER
X.XXX	±0.10	X.XXX°	±1°	DRAW: 绘图:	WANG	2014-12-02	3:1	mm	A008

修订 REV	标记 MARK	修改摘要 REVISION DESCRIPTION	签名 SIGNATURE	日期 DATE
AO		NEW RELEASE	WANG	2017-09-12

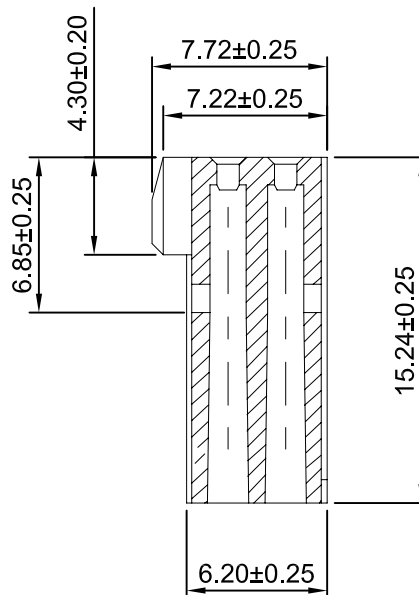
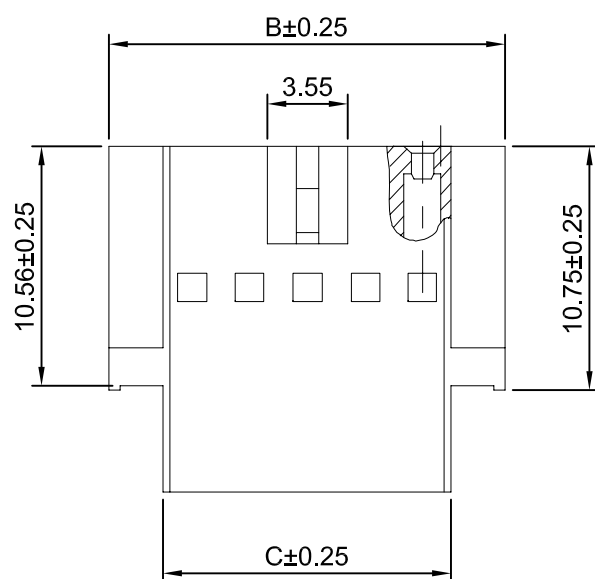


SPECIFICATIONS:

Current Rating: 3A AC,DC
Voltage Rating: 250V AC,DC
Temperature Range: -25°C ~ +85°C
Contact Resistance: 20mΩ Max
Insulation Resistance: 1000MΩ Min
Withstanding Voltage: 1500V AC/minute
Material: PBT,UL94V-0(Black)

Ordering Information & Dimensions

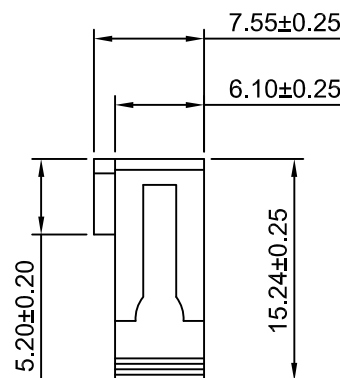
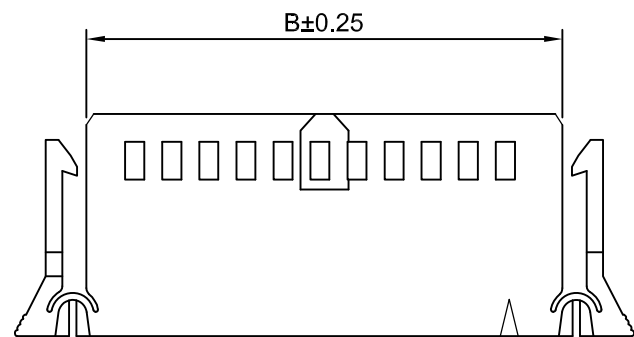
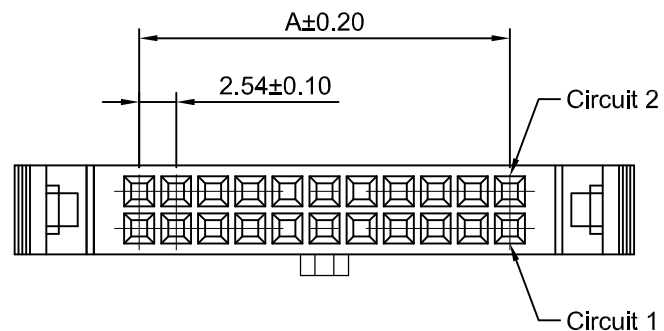
Circuits	Dimensions(mm)			Circuits	Dimensions(mm)		
	A	B	C		A	B	C
2x4P	7.62	14.93	10.16	2x19P	45.72	53.03	48.26
2x5P	10.16	17.47	12.70	2x20P	48.26	55.57	50.80
2x6P	12.70	20.01	15.24	2x21P	50.80	58.11	53.34
2x7P	15.24	22.55	17.78	2x22P	53.34	60.65	55.88
2x8P	17.78	25.09	20.32	2x23P	55.88	63.19	58.42
2x9P	20.32	27.63	22.86	2x24P	58.42	65.73	60.96
2x10P	22.86	30.17	25.40	2x25P	60.96	68.27	63.50
2x11P	25.40	32.71	27.94	2x26P	63.50	70.81	66.04
2x12P	27.94	35.25	30.48	2x27P	66.04	73.35	68.58
2x13P	30.48	37.79	33.02	2x28P	68.58	75.89	71.12
2x14P	33.02	40.33	35.56	2x29P	71.12	78.43	73.66
2x15P	35.56	42.87	38.10	2x30P	73.66	80.97	76.20
2x16P	38.10	45.51	40.64	2x31P	76.20	83.51	78.74
2x17P	40.64	47.95	43.18	2x32P	78.74	86.05	81.28
2x18P	43.18	50.49	45.72				



HDGC 深圳市华德共创科技有限公司
Shenzhen Huade co-create Technology Co.,LTD
TEL : 0755-27129737 FAX : 0755-29940187

-TOLERANCES- UNLESS OTHERWISE SPECIFIED 公差参数表						TITLE: 2.54mm Pitch Housing 产品名称:			
X.X	±0.30	X.X°	±3°	APPD: 核准:	XIE	PART NO: 产品编号: HDGC2547HK-2xXP			
X.XX	±0.30	X.XX°	±2°	CHECK: 校对:	WANG	DATE	SCALE	UNIT	CODE NUMBER
X.XXX	±0.10	X.XXX°	±1°	DRAW: 绘图:	WANG	2017-09-12	3:1	mm	A008

修订 REV	标记 MARK	修改摘要 REVISION DESCRIPTION	签名 SIGNATURE	日期 DATE
AO		NEW RELEASE	WANG	2017-09-12



SPECIFICATIONS:

Current Rating: 3A AC,DC
Voltage Rating: 250V AC,DC
Temperature Range: -25°C ~ +85°C
Contact Resistance: 20mΩ Max
Insulation Resistance: 1000MΩ Min
Withstanding Voltage: 1500V AC/minute
Material: PBT+15%GF,UL94V-0(Black)

Ordering Information & Dimensions

Circuits	Dimensions(mm)		Circuits	Dimensions(mm)	
	A	B		A	B
2x3P	5.08	12.22	2x18P	43.18	50.32
2x4P	7.62	14.76	2x19P	45.72	52.86
2x5P	10.16	17.30	2x20P	48.26	55.40
2x6P	12.70	19.84	2x21P	50.80	57.94
2x7P	15.24	22.38	2x22P	53.34	60.48
2x8P	17.78	24.92	2x23P	55.88	63.02
2x9P	20.32	27.46	2x24P	58.42	65.56
2x10P	22.86	30.00	2x25P	60.96	68.10
2x11P	25.40	32.54	2x26P	63.50	70.64
2x12P	27.94	35.08	2x27P	66.04	73.18
2x13P	30.48	37.62	2x28P	68.58	75.72
2x14P	33.02	40.16	2x29P	71.12	78.26
2x15P	35.56	42.70	2x30P	73.66	80.80
2x16P	38.10	45.24	2x31P	76.20	83.34
2x17P	40.64	47.78	2x32P	78.74	85.88



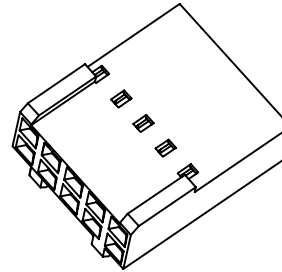
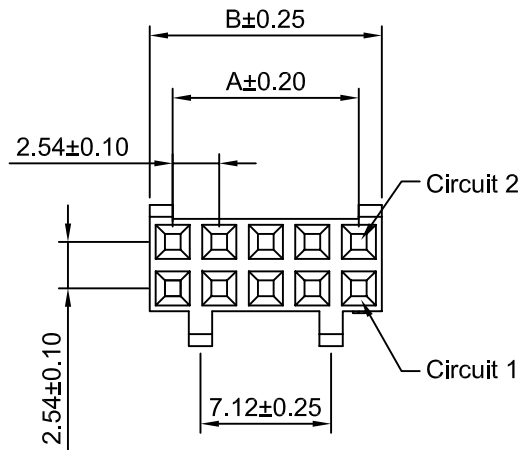
深圳市华德共创科技有限公司

Shenzhen Huade co-create Technology Co.,LTD

TEL : 0755-27129737 FAX : 0755-29940187

-TOLERANCES- UNLESS OTHERWISE SPECIFIED 公差参数表						TITLE: 2.54mm Pitch Housing 产品名称: 2.54mm Pitch Housing			
X.X	±0.30	X.X°	±3°	APPD: 核准:	XIE	PART NO: 产品编号: HDGC2547HN-2xXP			
X.XX	±0.30	X.XX°	±2°	CHECK: 校对:	WANG	DATE	SCALE	UNIT	CODE NUMBER
X.XXX	±0.10	X.XXX°	±1°	DRAW: 绘图:	WANG	2017-09-12	2:1	mm	A008

修订 REV	标记 MARK	修改摘要 REVISION DESCRIPTION	签名 SIGNATURE	日期 DATE
AO		NEW RELEASE	WANG	2017-09-12

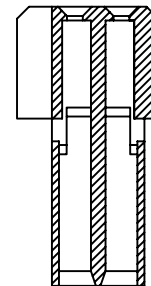
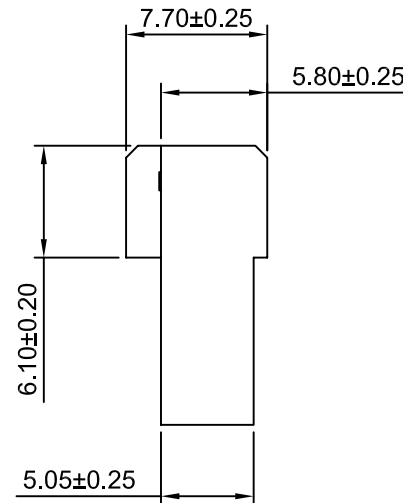
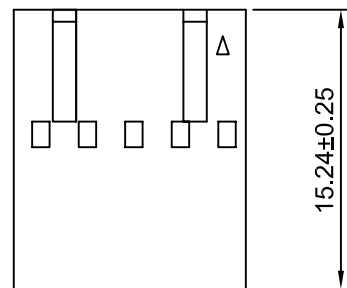


SPECIFICATIONS:

Current Rating: 3A AC,DC
Voltage Rating: 250V AC,DC
Temperature Range: -25°C ~ +85°C
Contact Resistance: 20mΩ Max
Insulation Resistance: 1000MΩ Min
Withstanding Voltage: 1500V AC/minute
Material: Nylon 66+15%GF,UL94V-0(Black)

Ordering Information & Dimensions

Circuits	Dimensions(mm)		Circuits	Dimensions(mm)	
	A	B		A	B
2x2P	2.54	5.05	2x18P	43.18	45.69
2x3P	5.08	7.59	2x19P	45.72	48.23
2x4P	7.62	10.13	2x20P	48.26	50.77
2x5P	10.16	12.67	2x21P	50.80	53.31
2x6P	12.70	15.21	2x22P	53.34	55.85
2x7P	15.24	17.75	2x23P	55.88	58.39
2x8P	17.78	20.29	2x24P	58.42	60.93
2x9P	20.32	22.83	2x25P	60.96	63.47
2x10P	22.86	25.37	2x26P	63.50	66.01
2x11P	25.40	27.91	2x27P	66.04	68.55
2x12P	27.94	30.45	2x28P	68.58	71.09
2x13P	30.48	32.99	2x29P	71.12	73.63
2x14P	33.02	35.53	2x30P	73.66	76.17
2x15P	35.56	38.07	2x31P	76.20	78.71
2x16P	38.10	40.61	2x32P	78.74	81.25
2x17P	40.64	43.15			

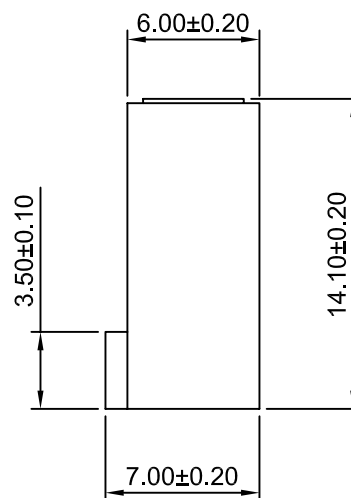
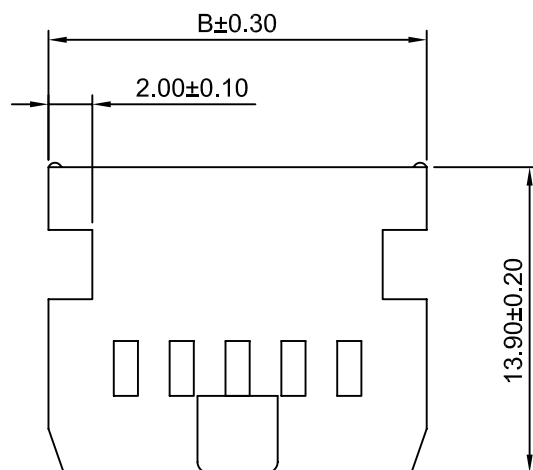
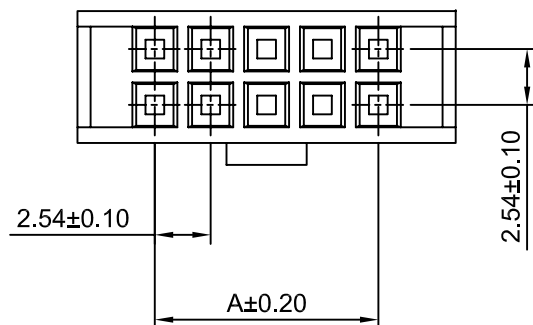


深圳市华德共创科技有限公司

Shenzhen Huade co-create Technology Co.,LTD
TEL : 0755-27129737 FAX : 0755-29940187

-TOLERANCES- UNLESS OTHERWISE SPECIFIED 公差参数表						TITLE: 2.54mm Pitch Housing 产品名称: 2.54mm Pitch Housing			
X.X	±0.30	X.X°	±3°	APPD: 核准:	XIE	PART NO: 产品编号: HDGC2547HP-2xXP			
X.XX	±0.30	X.XX°	±2°	CHECK: 校对:	WANG	DATE	SCALE	UNIT	CODE NUMBER
X.XXX	±0.10	X.XXX°	±1°	DRAW: 绘图:	WANG	2017-09-12	2:1	mm	A008

修订 REV	标记 MARK	修改摘要 REVISION DESCRIPTION	签名 SIGNATURE	日期 DATE
AO		NEW RELEASE	WANG	2017-09-12



SPECIFICATIONS:

Current Rating: 3A AC,DC
Voltage Rating: 250V AC,DC
Temperature Range: -25°C ~ +85°C
Contact Resistance: 20mΩ Max
Insulation Resistance: 1000MΩ Min
Withstanding Voltage: 1500V AC/minute
Material: PBT,UL94V-0(Black)

Ordering Information & Dimensions

Circuits	Dimensions(mm)		Circuits	Dimensions(mm)	
	A	B		A	B
2x5P	10.16	17.25	2x19P	45.72	52.81
2x6P	12.70	19.79	2x20P	48.26	55.35
2x7P	15.24	22.33	2x21P	50.80	57.89
2x8P	17.78	24.87	2x22P	53.34	60.43
2x9P	20.32	27.41	2x23P	55.88	62.97
2x10P	22.86	29.95	2x24P	58.42	65.51
2x11P	25.40	32.49	2x25P	60.96	68.05
2x12P	27.94	35.03	2x26P	63.50	70.59
2x13P	30.48	37.57	2x27P	66.04	73.13
2x14P	33.02	40.11	2x28P	68.58	75.67
2x15P	35.56	42.65	2x29P	71.12	78.21
2x16P	38.10	45.19	2x30P	73.66	80.75
2x17P	40.64	47.73	2x31P	76.20	83.29
2x18P	43.18	50.27	2x32P	78.74	85.83



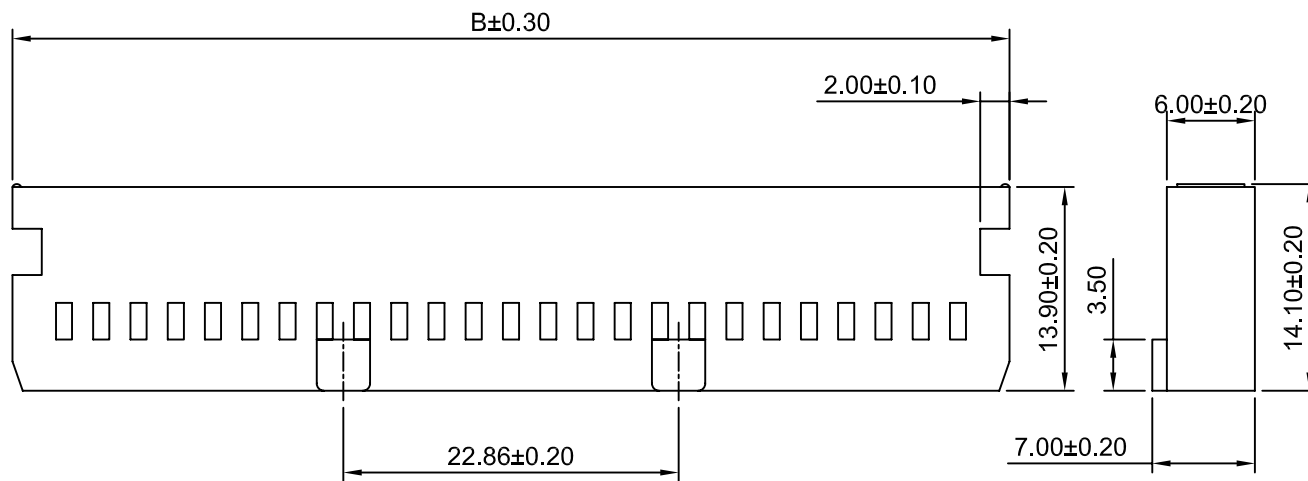
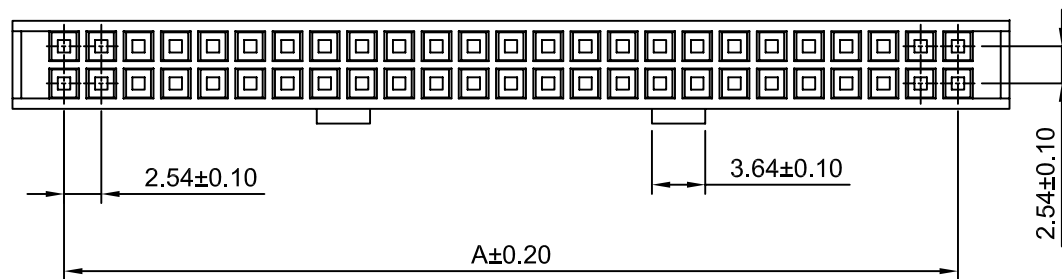
深圳市华德共创科技有限公司

Shenzhen Huade co-create Technology Co.,LTD

TEL : 0755-27129737 FAX : 0755-29940187

-TOLERANCES- UNLESS OTHERWISE SPECIFIED 公差参数表						TITLE: 2.54mm Pitch Housing 产品名称:			
X.X	±0.30	X.X°	±3°	APPD: 核准:	XIE	PART NO: HDGC2547HS-2xXP 产品编号:			
X.XX	±0.30	X.XX°	±2°	CHECK: 校对:	WANG	DATE	SCALE	UNIT	CODE NUMBER
X.XXX	±0.10	X.XXX°	±1°	DRAW: 绘图:	WANG	2017-09-12	3:1	mm	A008

修订 REV	标记 MARK	修改摘要 REVISION DESCRIPTION	签名 SIGNATURE	日期 DATE
AO		NEW RELEASE	WANG	2017-09-12



SPECIFICATIONS:

Current Rating: 3A AC,DC
Voltage Rating: 250V AC,DC
Temperature Range: -25°C ~ +85°C
Contact Resistance: 20mΩ Max
Insulation Resistance: 1000MΩ Min
Withstanding Voltage: 1500V AC/minute
Material: PBT,UL94V-0(Black)

Ordering Information & Dimensions

Circuits	Dimensions(mm)		Circuits	Dimensions(mm)	
	A	B		A	B
2x25P	60.96	68.04	2x32P	78.74	85.83
2x30P	73.66	80.77			

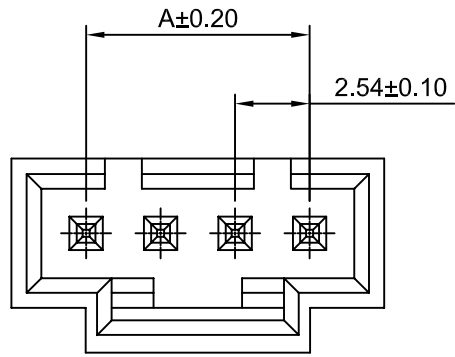


深圳市华德共创科技有限公司

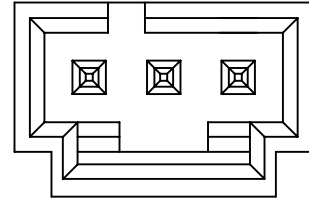
Shenzhen Huade co-create Technology Co.,LTD
TEL : 0755-27129737 FAX : 0755-29940187

-TOLERANCES- UNLESS OTHERWISE SPECIFIED 公差参数表						TITLE: 2.54mm Pitch Housing 产品名称: Housing			
X.X	±0.30	X.X°	±3°	APPD: 核准:	XIE	PART NO: 产品编号: HDGC2547HSA-2xXP			
X.XX	±0.30	X.XX°	±2°	CHECK: 校对:	WANG	DATE	SCALE	UNIT	CODE NUMBER
X.XXX	±0.10	X.XXX°	±1°	DRAW: 绘图:	WANG	2017-09-12	2:1	mm	A008

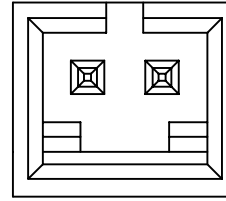
修订 REV	标记 MARK	修改摘要 REVISION DESCRIPTION	签名 SIGNATURE	日期 DATE
AO		NEW RELEASE	WANG	2017-09-12



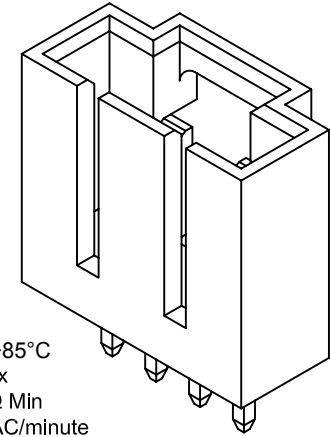
4P~25P



3P



2P

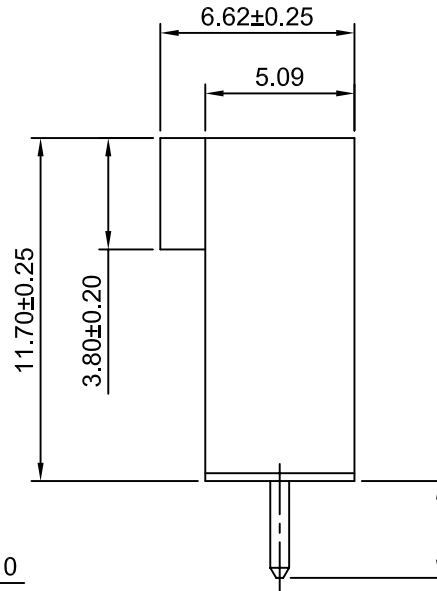
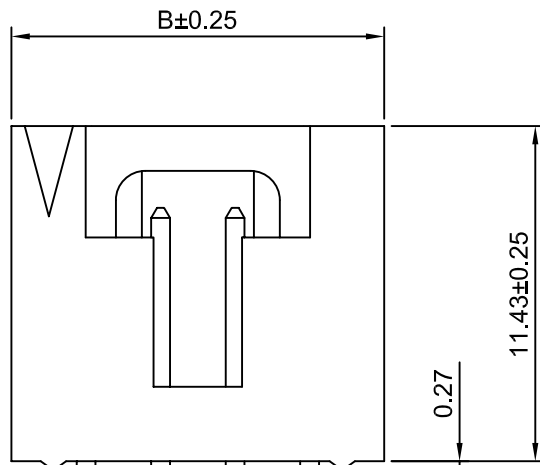


SPECIFICATIONS:

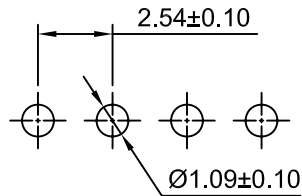
Current Rating: 3A AC,DC
Voltage Rating: 250V AC,DC
Temperature Range: -25°C ~ +85°C
Contact Resistance: 20mΩ Max
Insulation Resistance: 1000MΩ Min
Withstanding Voltage: 1500V AC/minute
Pin Material: Brass/Gold over Nickel
Material: PBT,UL94V-0(Black)

Ordering Information & Dimensions

Circuits	Dimensions(mm)		Circuits	Dimensions(mm)	
	A	B		A	B
2P	2.54	7.62	14P	33.02	38.10
3P	5.08	10.16	15P	35.56	40.64
4P	7.62	12.70	16P	38.10	43.18
5P	10.16	15.24	17P	40.64	45.72
6P	12.70	17.78	18P	43.18	48.26
7P	15.24	20.32	19P	45.72	50.80
8P	17.78	22.86	20P	48.26	53.34
9P	20.32	25.40	21P	50.80	55.88
10P	22.86	27.94	22P	53.34	58.42
11P	25.40	30.48	23P	55.88	60.96
12P	27.94	33.02	24P	58.42	63.50
13P	30.48	35.56	25P	60.96	66.04



PIN 0.64 SQ
Circuit 1



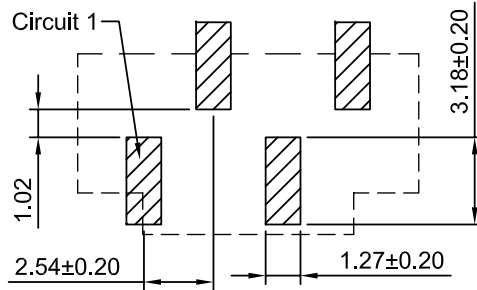
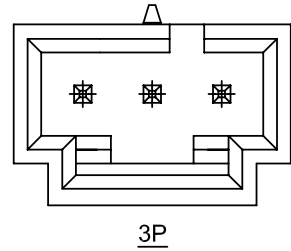
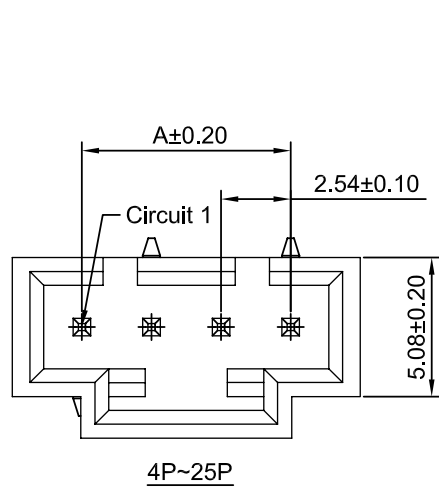
P.C.B LAYOUT



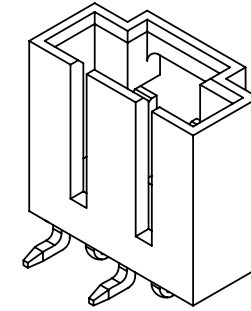
深圳市华德共创科技有限公司
Shenzhen Huade co-create Technology Co.,LTD
TEL : 0755-27129737 FAX : 0755-29940187

-TOLERANCES- UNLESS OTHERWISE SPECIFIED 公差参数表				 	TITLE: 2.54mm Pitch 产品名称: 180° Wafer			
X.X	±0.30	X.X°	±3°	APPD: 核准:	XIE			
X.XX	±0.30	X.XX°	±2°	CHECK: 校对:	WANG			
X.XXX	±0.10	X.XXX°	±1°	DRAW: 绘图:	WANG			
				PART NO: 产品编号:	HDGC2547WV-XP			
				DATE	SCALE	UNIT	CODE NUMBER	
				2017-09-12	4:1	mm	A008	

修订 REV	标记 MARK	修改摘要 REVISION DESCRIPTION	签名 SIGNATURE	日期 DATE
AO		NEW RELEASE	WANG	2017-09-12



P.C.B LAYOUT

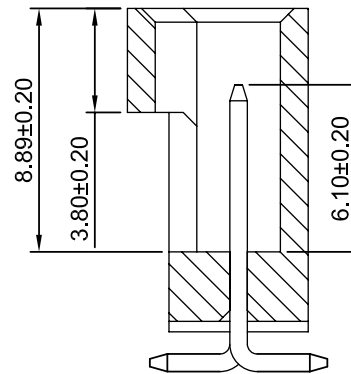
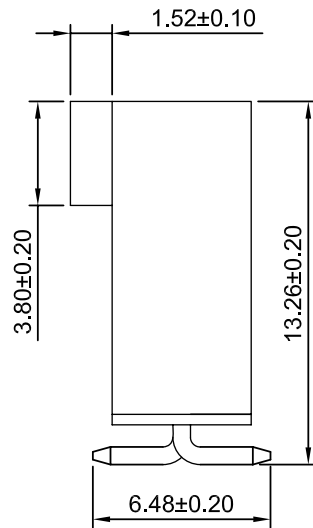
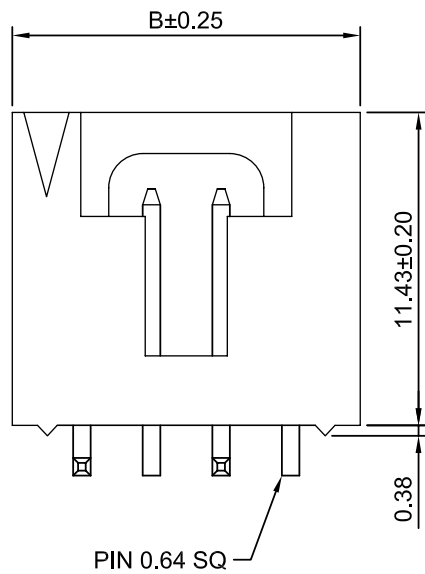


SPECIFICATIONS:

Current Rating: 3A AC,DC
Voltage Rating: 250V AC,DC
Temperature Range: -25°C ~ +85°C
Contact Resistance: 20mΩ Max
Insulation Resistance: 1000MΩ Min
Withstanding Voltage: 1500V AC/minute
Pin Material: Brass/Gold over Nickel
Material: LCP,UL94V-0 (Black)

Ordering Information & Dimensions

Circuits	Dimensions(mm)		Circuits	Dimensions(mm)	
	A	B		A	B
3P	5.08	10.16	15P	35.56	40.64
4P	7.62	12.70	16P	38.10	43.18
5P	10.16	15.24	17P	40.64	45.72
6P	12.70	17.78	18P	43.18	48.26
7P	15.24	20.32	19P	45.72	50.80
8P	17.78	22.86	20P	48.26	53.34
9P	20.32	25.40	21P	50.80	55.88
10P	22.86	27.94	22P	53.34	58.42
11P	25.40	30.48	23P	55.88	60.96
12P	27.94	33.02	24P	58.42	63.50
13P	30.48	35.56	25P	60.96	66.04
14P	33.02	38.10			

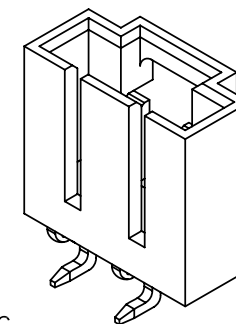
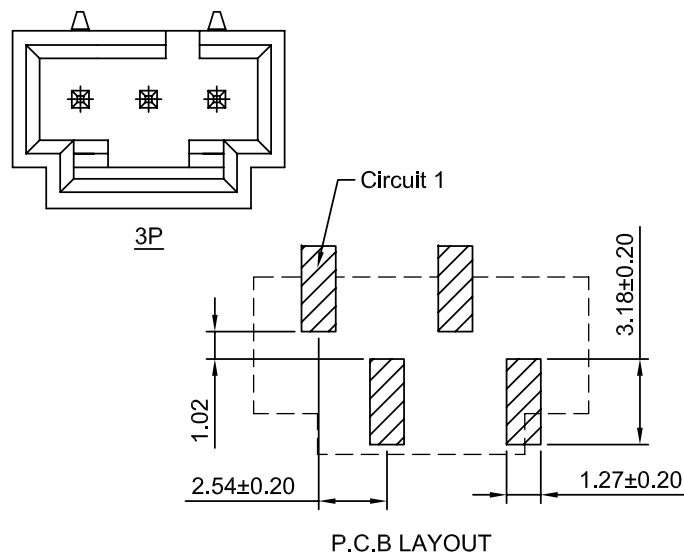
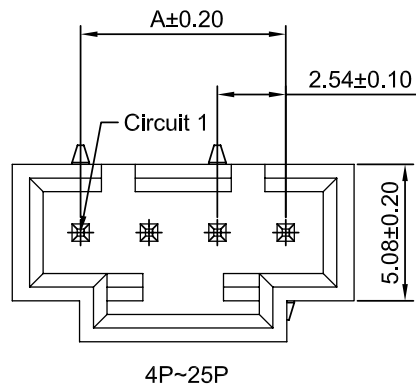


深圳市华德共创科技有限公司

Shenzhen Huade co-create Technology Co.,LTD
TEL : 0755-27129737 FAX : 0755-29940187

-TOLERANCES- UNLESS OTHERWISE SPECIFIED 公差参数表						TITLE: 2.54mm Pitch 产品名称: 180° Wafer			
X.X	±0.30	X.X°	±3°	APPD: 核准:	XIE	PART NO: 产品编号: HDGC2547WV-S-XP			
X.XX	±0.30	X.XX°	±2°	CHECK: 校对:	WANG	DATE	SCALE	UNIT	CODE NUMBER
X.XXX	±0.10	X.XXX°	±1°	DRAW: 绘图:	WANG	2017-09-12	4:1	mm	A008

修订 REV	标记 MARK	修改摘要 REVISION DESCRIPTION	签名 SIGNATURE	日期 DATE
AO		NEW RELEASE	WANG	2017-09-12

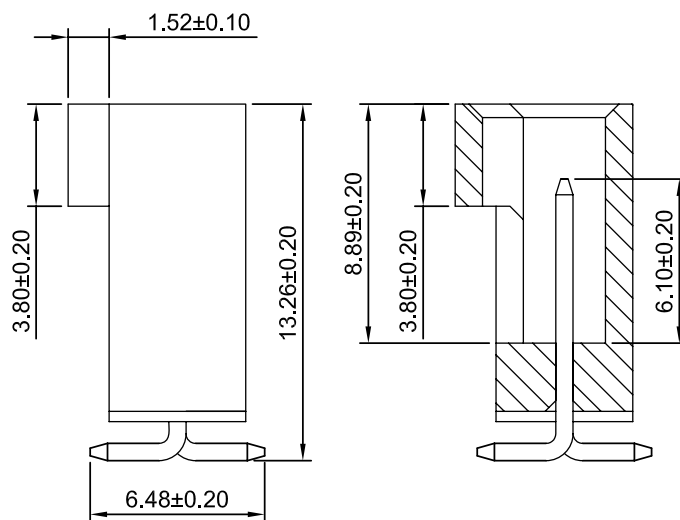
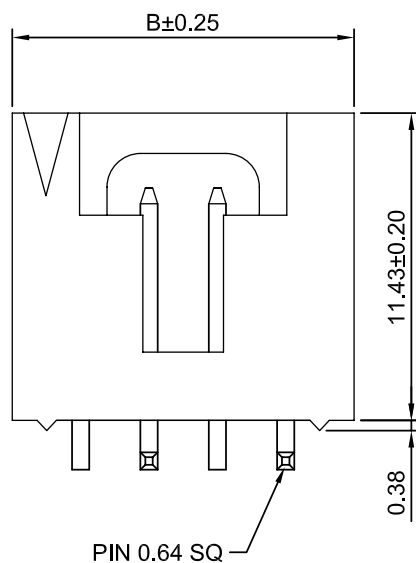


SPECIFICATIONS:

Current Rating: 3A AC,DC
Voltage Rating: 250V AC,DC
Temperature Range: -25°C ~ +85°C
Contact Resistance: 20mΩ Max
Insulation Resistance: 1000MΩ Min
Withstanding Voltage: 1500V AC/minute
Pin Material: Brass/Gold over Nickel
Material: LCP,UL94V-0 (Black)

Ordering Information & Dimensions

Circuits	Dimensions(mm)		Circuits	Dimensions(mm)	
	A	B		A	B
3P	5.08	10.16	15P	35.56	40.64
4P	7.62	12.70	16P	38.10	43.18
5P	10.16	15.24	17P	40.64	45.72
6P	12.70	17.78	18P	43.18	48.26
7P	15.24	20.32	19P	45.72	50.80
8P	17.78	22.86	20P	48.26	53.34
9P	20.32	25.40	21P	50.80	55.88
10P	22.86	27.94	22P	53.34	58.42
11P	25.40	30.48	23P	55.88	60.96
12P	27.94	33.02	24P	58.42	63.50
13P	30.48	35.56	25P	60.96	66.04
14P	33.02	38.10			



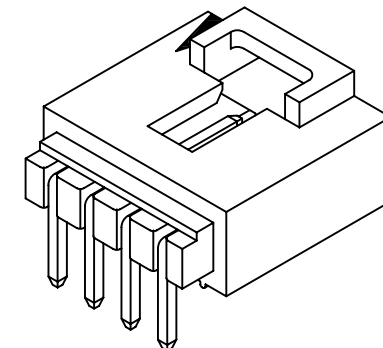
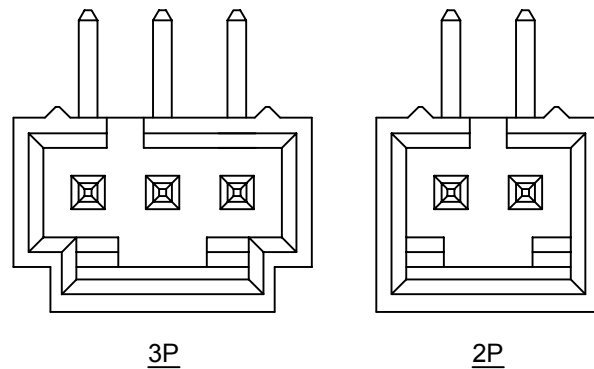
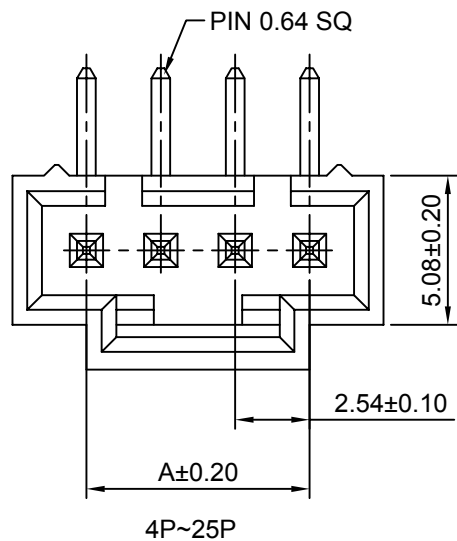
深圳市华德共创科技有限公司

Shenzhen Huade co-create Technology Co.,LTD

TEL : 0755-27129737 FAX : 0755-29940187

-TOLERANCES- UNLESS OTHERWISE SPECIFIED 公差参数表				 TITLE: 2.54mm Pitch 产品名称: 180° Wafer	
X.X	±0.30	X.X°	±3°	APPD: 核准:	XIE
X.XX	±0.30	X.XX°	±2°	CHECK: 校对:	WANG
X.XXX	±0.10	X.XXX°	±1°	DRAW: 绘图:	WANG
PART NO: 产品编号:		HDGC2547WV-S-XP-2			
DATE	SCALE	UNIT	CODE NUMBER		
2017-09-12	4:1	mm	A008		

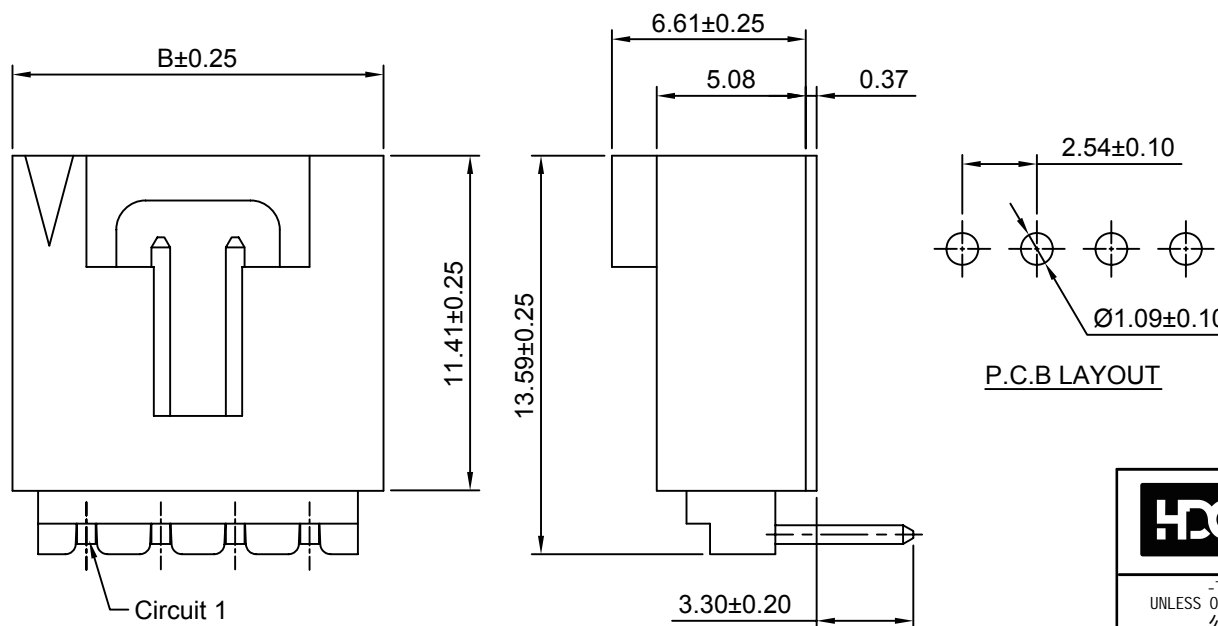
修订 REV	标记 MARK	修改摘要 REVISION DESCRIPTION	签名 SIGNATURE	日期 DATE
AO		NEW RELEASE	WANG	2017-09-12



SPECIFICATIONS:
 Current Rating: 3A AC,DC
 Voltage Rating: 250V AC,DC
 Temperature Range: -25°C ~ +85°C
 Contact Resistance: 20mΩ Max
 Insulation Resistance: 1000MΩ Min
 Withstanding Voltage: 1500V AC/minute
 Pin Material: Brass/Gold over Nickel
 Material: PBT,UL94V-0(Black)

Ordering Information & Dimensions

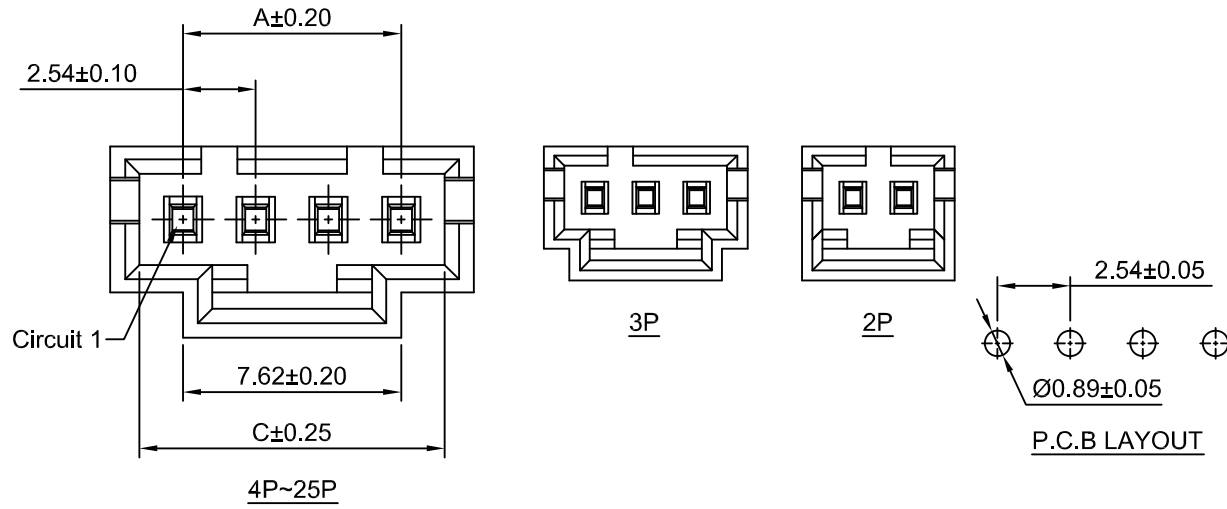
Circuits	Dimensions(mm)		Circuits	Dimensions(mm)	
	A	B		A	B
2P	2.54	7.62	14P	33.02	38.10
3P	5.08	10.16	15P	35.56	40.64
4P	7.62	12.70	16P	38.10	43.18
5P	10.16	15.24	17P	40.64	45.72
6P	12.70	17.78	18P	43.18	48.26
7P	15.24	20.32	19P	45.72	50.80
8P	17.78	22.86	20P	48.26	53.34
9P	20.32	25.40	21P	50.80	55.88
10P	22.86	27.94	22P	53.34	58.42
11P	25.40	30.48	23P	55.88	60.96
12P	27.94	33.02	24P	58.42	63.50
13P	30.48	35.56	25P	60.96	66.04



HDGC 深圳市华德共创科技有限公司
 Shenzhen Huade co-create Technology Co.,LTD
 TEL : 0755-27129737 FAX : 0755-29940187

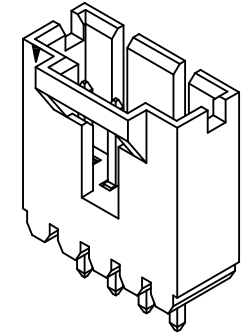
-TOLERANCES- UNLESS OTHERWISE SPECIFIED 公差参数表					TITLE: 2.54mm Pitch 产品名称: 90° Wafer				
X.X	±0.30	X.X°	±3°	APPD: 核准:	XIE	PART NO: 产品编号: HDGC2547WR-XP			
X.XX	±0.30	X.XX°	±2°	CHECK: 校对:	WANG	DATE	SCALE	UNIT	CODE NUMBER
X.XXX	±0.10	X.XXX°	±1°	DRAW: 绘图:	WANG	2017-09-12	4:1	mm	A008

修订 REV	标记 MARK	修改摘要 REVISION DESCRIPTION	签名 SIGNATURE	日期 DATE
AO		NEW RELEASE	WANG	2017-09-12



Odering Information:
**HDGC2547WVA-XP - *
 1 2**

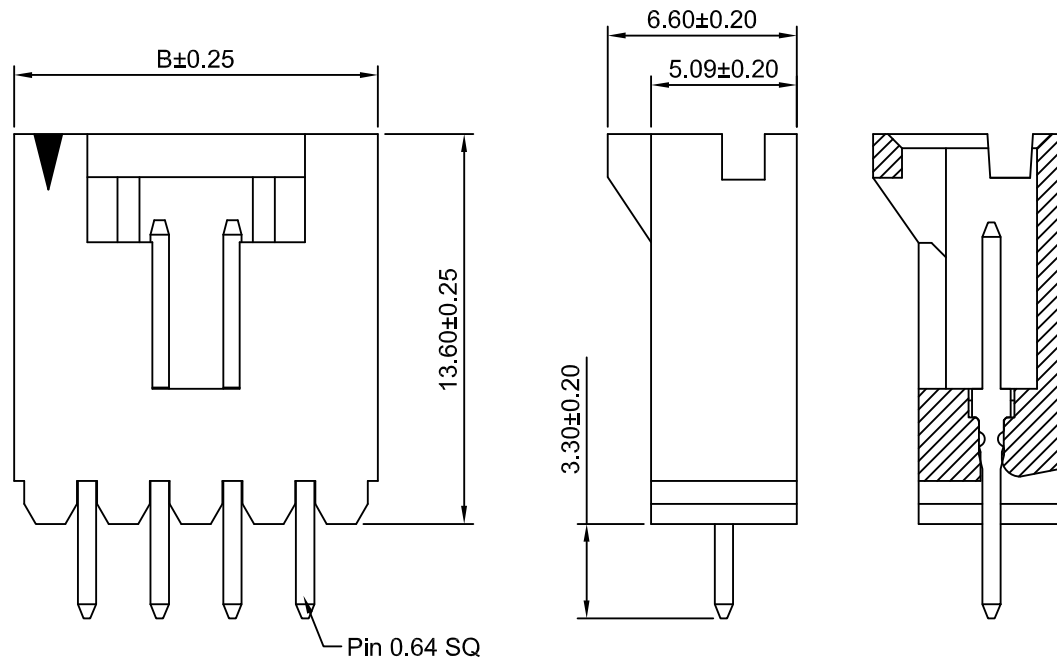
- 1.Part No.
 2.Finish:
 G - Gold over Nickel
 (blank) - Tin over Nickel



SPECIFICATIONS:
 Current Rating: 3A AC,DC
 Voltage Rating: 250V AC,DC
 Temperature Range: -25°C ~ +85°C
 Contact Resistance: 20mΩ Max
 Insulation Resistance: 1000MΩ Min
 Withstanding Voltage: 1500V AC/minute
 Pin Material: Brass/Gold over Nickel
 Material: PBT,UL94V-0(Black)

Ordering Information & Dimensions

Circuits	Dimensions(mm)			Circuits	Dimensions(mm)		
	A	B	C		A	B	C
2P	2.54	7.62	5.59	14P	33.02	38.10	36.07
3P	5.08	10.16	8.13	15P	35.56	40.64	38.61
4P	7.62	12.70	10.67	16P	38.10	43.18	41.15
5P	10.16	15.24	13.21	17P	40.64	45.72	43.69
6P	12.70	17.78	15.75	18P	43.18	48.26	46.23
7P	15.24	20.32	18.29	19P	45.72	50.80	48.77
8P	17.78	22.86	20.83	20P	48.26	53.34	51.31
9P	20.32	25.40	23.37	21P	50.80	55.88	53.85
10P	22.86	27.94	25.91	22P	53.34	58.42	56.39
11P	25.40	30.48	28.45	23P	55.88	60.96	58.93
12P	27.94	33.02	30.99	24P	58.42	63.50	61.47
13P	30.48	35.56	33.53	25P	60.96	66.04	64.01



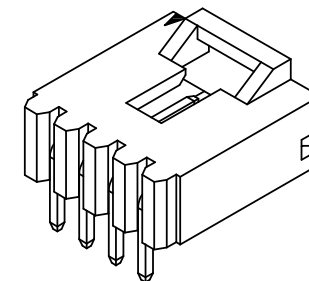
HDGC 深圳市华德共创科技有限公司
 Shenzhen Huade co-create Technology Co.,LTD
 TEL : 0755-27129737 FAX : 0755-29940187

-TOLERANCES- UNLESS OTHERWISE SPECIFIED 公差参数表						TITLE: 2.54mm Pitch 产品名称: 180° Wafer			
X.X	±0.30	X.X°	±3°	APPD: 核准:	XIE	PART NO: 产品编号: HDGC2547WVA-XP			
X.XX	±0.30	X.XX°	±2°	CHECK: 校对:	WANG	DATE	SCALE	UNIT	CODE NUMBER
X.XXX	±0.10	X.XXX°	±1°	DRAW: 绘图:	WANG	2017-09-12	4:1	mm	A008

修订 REV	标记 MARK	修改摘要 REVISION DESCRIPTION	签名 SIGNATURE	日期 DATE
AO		NEW RELEASE	WANG	2017-09-12

Ordering Information:
 HDGC2547WRA-XP - *
 1 2

1.Part No.
 2.Finish:
 G - Gold over Nickel
 (blank) - Tin over Nickel

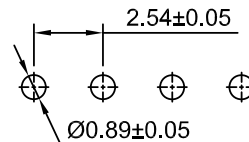


SPECIFICATIONS:

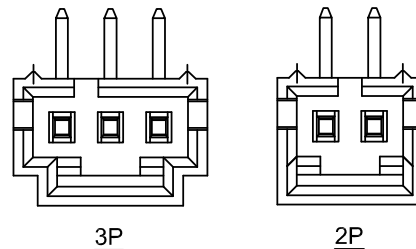
Current Rating: 3A AC,DC
 Voltage Rating: 250V AC,DC
 Temperature Range: -25°C ~ +85°C
 Contact Resistance: 20mΩ Max
 Insulation Resistance: 1000MΩ Min
 Withstanding Voltage: 1500V AC/minute
 Pin Material: Brass/Gold over Nickel
 Material: PBT,UL94V-0(Black)

Ordering Information & Dimensions

Circuits	Dimensions(mm)			Circuits	Dimensions(mm)		
	A	B	C		A	B	C
2P	2.54	7.62	5.59	14P	33.02	38.10	36.07
3P	5.08	10.16	8.13	15P	35.56	40.64	38.61
4P	7.62	12.70	10.67	16P	38.10	43.18	41.15
5P	10.16	15.24	13.21	17P	40.64	45.72	43.69
6P	12.70	17.78	15.75	18P	43.18	48.26	46.23
7P	15.24	20.32	18.29	19P	45.72	50.80	48.77
8P	17.78	22.86	20.83	20P	48.26	53.34	51.31
9P	20.32	25.40	23.37	21P	50.80	55.88	53.85
10P	22.86	27.94	25.91	22P	53.34	58.42	56.39
11P	25.40	30.48	28.45	23P	55.88	60.96	58.93
12P	27.94	33.02	30.99	24P	58.42	63.50	61.47
13P	30.48	35.56	33.53	25P	60.96	66.04	64.01

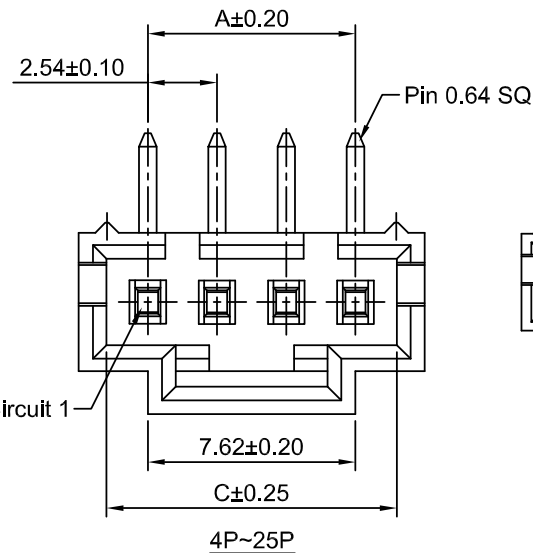


P.C.B LAYOUT

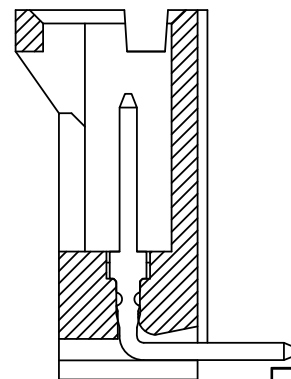
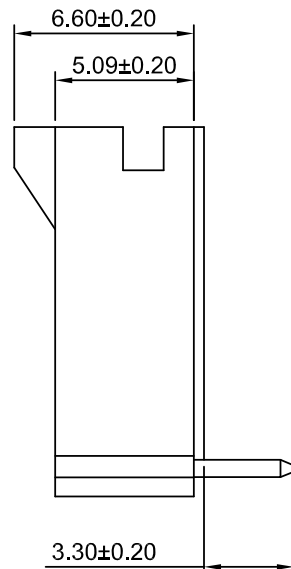
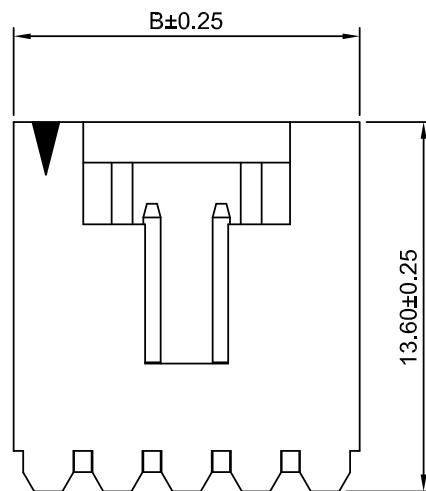


3P

2P



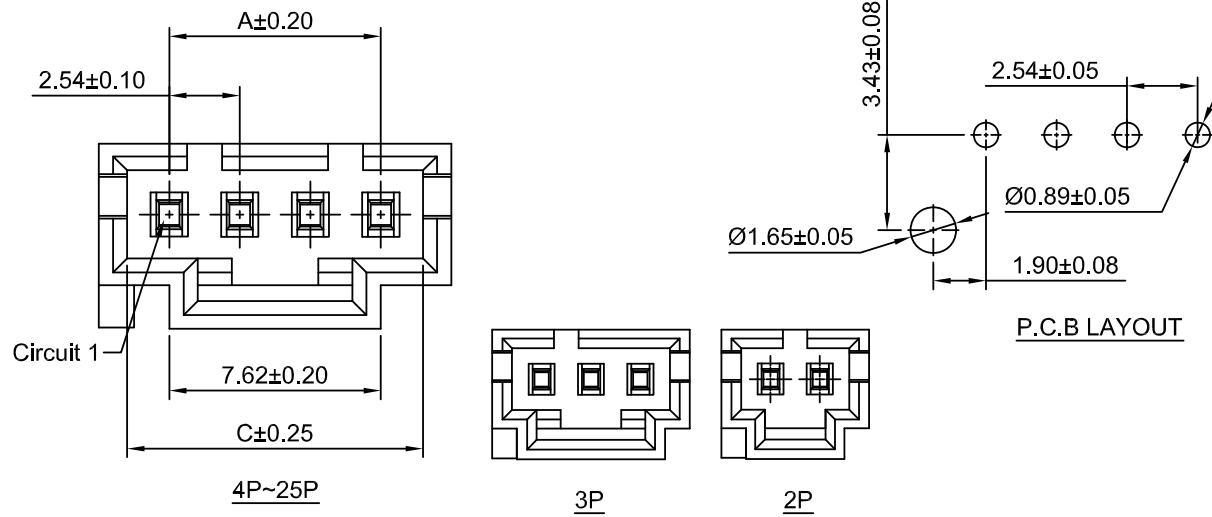
4P~25P



HDGC 深圳市华德共创科技有限公司
 Shenzhen Huade co-create Technology Co.,LTD
 TEL : 0755-27129737 FAX : 0755-29940187

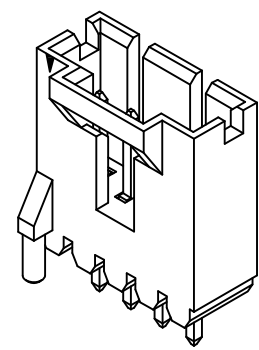
-TOLERANCES- UNLESS OTHERWISE SPECIFIED 公差参数表				TITLE: 产品名称: 2.54mm Pitch 90° Wafer	
X.X	±0.30	X.X°	±3°	APPD: 核准:	XIE
X.XX	±0.30	X.XX°	±2°	CHECK: 校对:	WANG
X.XXX	±0.10	X.XXX°	±1°	DRAW: 绘图:	WANG
PART NO: 产品编号:		HDGC2547WRA-XP			
DATE	SCALE	UNIT	CODE NUMBER		
2017-09-12	4:1	mm	A008		

修订 REV	标记 MARK	修改摘要 REVISION DESCRIPTION	签名 SIGNATURE	日期 DATE
AO		NEW RELEASE	WANG	2017-09-12

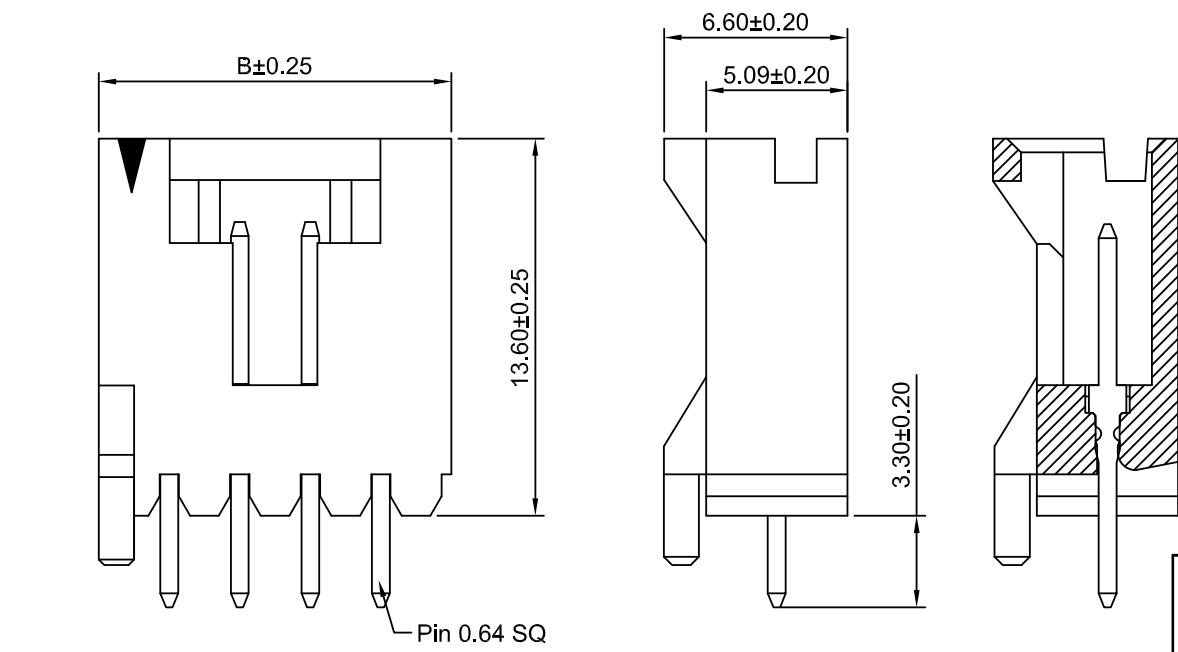


Ordering Information:
HDGC2547WVA-F1-XP - *
 1 2

1.Part No.
 2.Finish:
 G - Gold over Nickel
 (blank) - Tin over Nickel



SPECIFICATIONS:
 Current Rating: 3A AC,DC
 Voltage Rating: 250V AC,DC
 Temperature Range: -25°C ~ +85°C
 Contact Resistance: 20mΩ Max
 Insulation Resistance: 1000MΩ Min
 Withstanding Voltage: 1500V AC/minute
 Pin Material: Brass/Gold over Nickel
 Material: PBT,UL94V-0(Black)



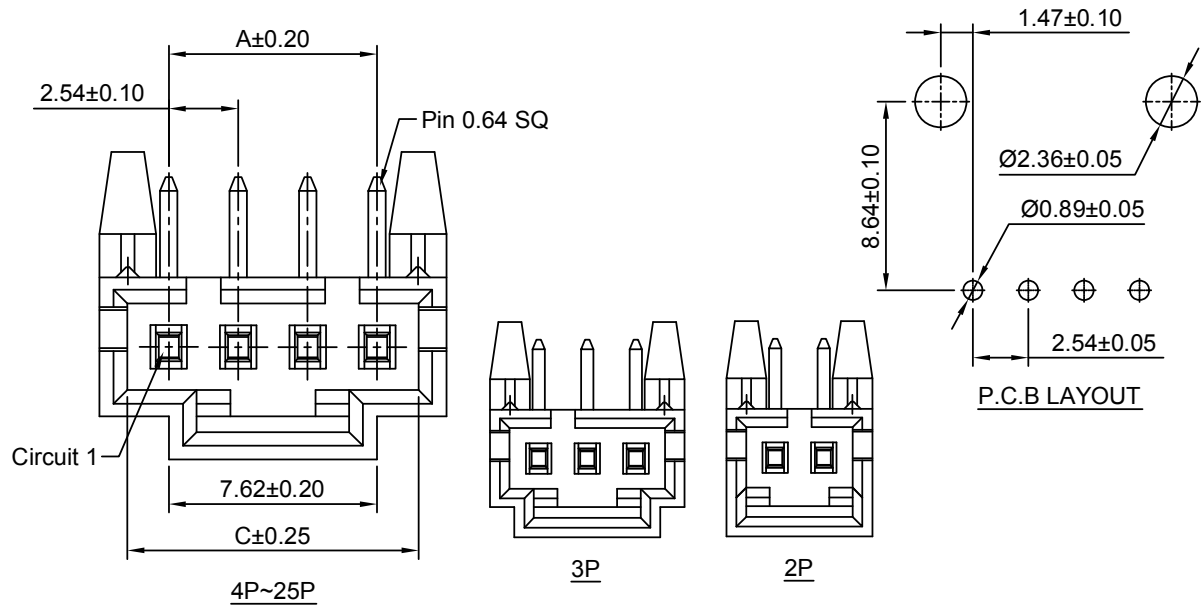
Ordering Information & Dimensions

Circuits	Dimensions(mm)			Circuits	Dimensions(mm)		
	A	B	C		A	B	C
2P	2.54	7.62	5.59	14P	33.02	38.10	36.07
3P	5.08	10.16	8.13	15P	35.56	40.64	38.61
4P	7.62	12.70	10.67	16P	38.10	43.18	41.15
5P	10.16	15.24	13.21	17P	40.64	45.72	43.69
6P	12.70	17.78	15.75	18P	43.18	48.26	46.23
7P	15.24	20.32	18.29	19P	45.72	50.80	48.77
8P	17.78	22.86	20.83	20P	48.26	53.34	51.31
9P	20.32	25.40	23.37	21P	50.80	55.88	53.85
10P	22.86	27.94	25.91	22P	53.34	58.42	56.39
11P	25.40	30.48	28.45	23P	55.88	60.96	58.93
12P	27.94	33.02	30.99	24P	58.42	63.50	61.47
13P	30.48	35.56	33.53	25P	60.96	66.04	64.01

HDGC 深圳市华德共创科技有限公司
 Shenzhen Huade co-create Technology Co.,LTD
 TEL : 0755-27129737 FAX : 0755-29940187

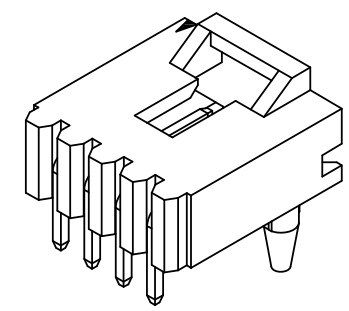
-TOLERANCES- UNLESS OTHERWISE SPECIFIED 公差参数表						TITLE: 2.54mm Pitch 产品名称: 180° Wafer			
X.X	±0.30	X.X°	±3°	APPD: 核准:	XIE	PART NO: 产品编号: HDGC2547WVA-F1-XP			
X.XX	±0.30	X.XX°	±2°	CHECK: 校对:	WANG	DATE	SCALE	UNIT	CODE NUMBER
X.XXX	±0.10	X.XXX°	±1°	DRAW: 绘图:	WANG	2017-09-12	4:1	mm	A008

修订 REV	标记 MARK	修改摘要 REVISION DESCRIPTION	签名 SIGNATURE	日期 DATE
AO		NEW RELEASE	WANG	2017-09-12



Ordering Information:
HDGC2547WRA-F1-XP - $\frac{*}{2}$
 1

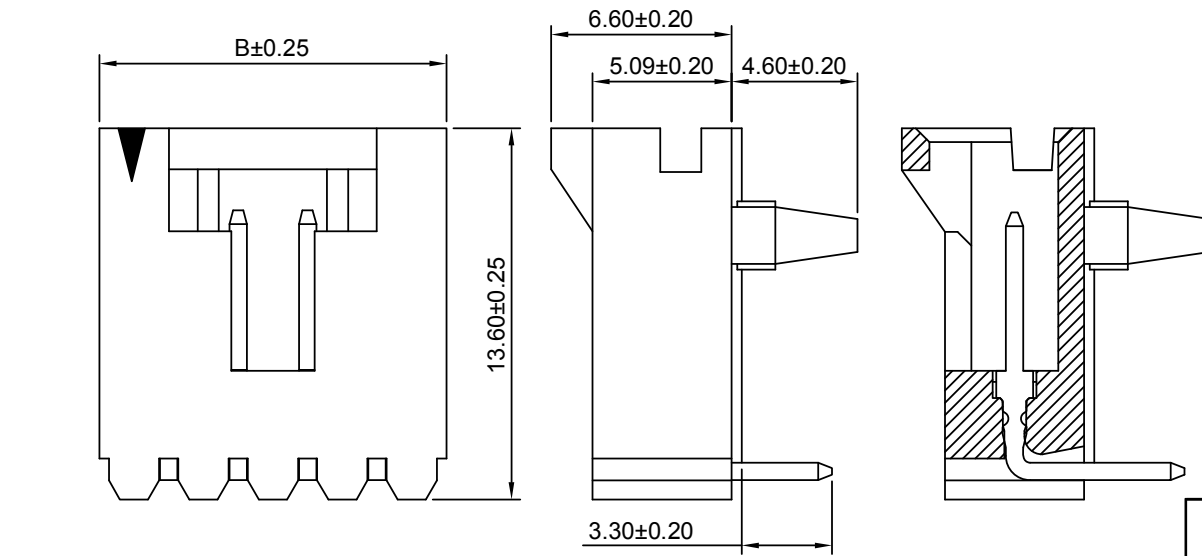
- 1.Part No.
 2.Finish:
 G - Gold over Nickel
 (blank) - Tin over Nickel



SPECIFICATIONS:
 Current Rating: 3A AC,DC
 Voltage Rating: 250V AC,DC
 Temperature Range: -25°C ~ +85°C
 Contact Resistance: 20mΩ Max
 Insulation Resistance: 1000MΩ Min
 Withstanding Voltage: 1500V AC/minute
 Pin Material: Brass/Gold over Nickel
 Material: PBT,UL94V-0(Black)

Ordering Information & Dimensions

Circuits	Dimensions(mm)			Circuits	Dimensions(mm)		
	A	B	C		A	B	C
2P	2.54	7.62	5.59	14P	33.02	38.10	36.07
3P	5.08	10.16	8.13	15P	35.56	40.64	38.61
4P	7.62	12.70	10.67	16P	38.10	43.18	41.15
5P	10.16	15.24	13.21	17P	40.64	45.72	43.69
6P	12.70	17.78	15.75	18P	43.18	48.26	46.23
7P	15.24	20.32	18.29	19P	45.72	50.80	48.77
8P	17.78	22.86	20.83	20P	48.26	53.34	51.31
9P	20.32	25.40	23.37	21P	50.80	55.88	53.85
10P	22.86	27.94	25.91	22P	53.34	58.42	56.39
11P	25.40	30.48	28.45	23P	55.88	60.96	58.93
12P	27.94	33.02	30.99	24P	58.42	63.50	61.47
13P	30.48	35.56	33.53	25P	60.96	66.04	64.01



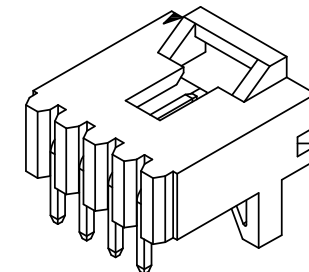


深圳市华德共创科技有限公司
 Shenzhen Huade co-create Technology Co.,LTD
 TEL : 0755-27129737 FAX : 0755-29940187

-TOLERANCES- UNLESS OTHERWISE SPECIFIED 公差参数表					TITLE: 2.54mm Pitch 产品名称: 90° Wafer				
X.X	±0.30	X.X°	±3°	APPD: 核准:	XIE	PART NO: 产品编号: HDGC2547WRA-F1-XP			
X.XX	±0.30	X.XX°	±2°	CHECK: 校对:	WANG	DATE	SCALE	UNIT	CODE NUMBER
X.XXX	±0.10	X.XXX°	±1°	DRAW: 绘图:	WANG	2017-09-12	4:1	mm	A008

修订 REV	标记 MARK	修改摘要 REVISION DESCRIPTION	签名 SIGNATURE	日期 DATE
AO		NEW RELEASE	WANG	2017-09-12

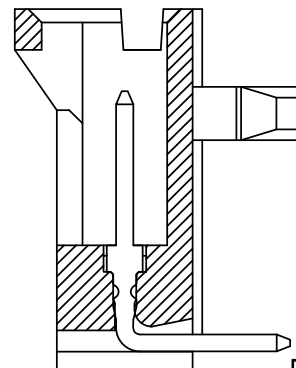
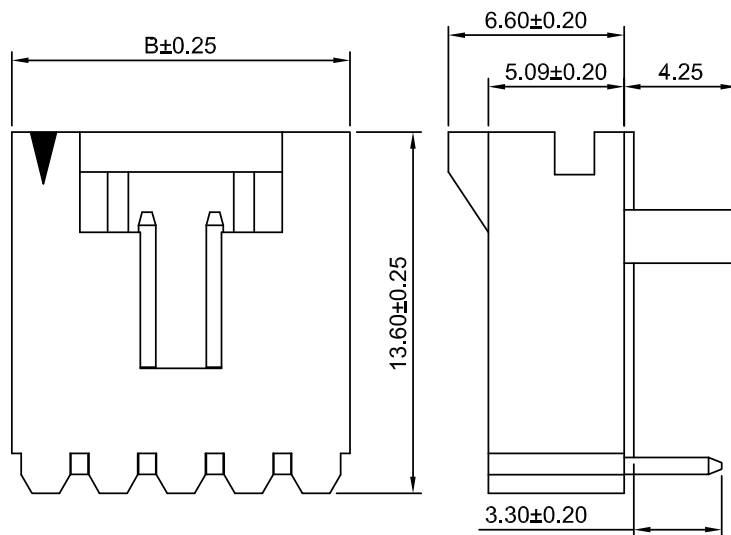
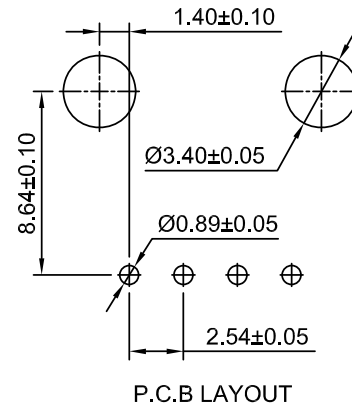
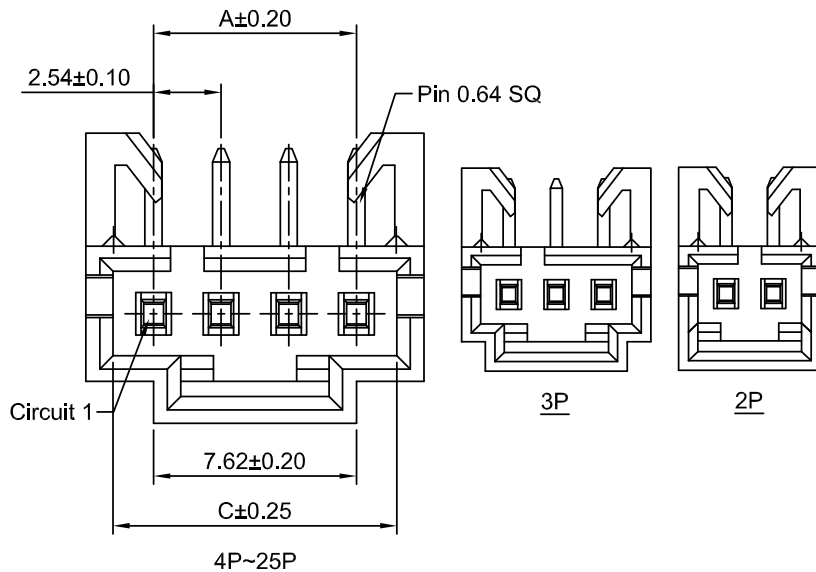
Ordering Information:
HDGC2547WRA-FJ-XP - *
 1 2
 1.Part No.
 2.Finish:
 G - Gold over Nickel
 (blank) - Tin over Nickel



SPECIFICATIONS:
 Current Rating: 3A AC,DC
 Voltage Rating: 250V AC,DC
 Temperature Range: -25°C ~ +85°C
 Contact Resistance: 20mΩ Max
 Insulation Resistance: 1000MΩ Min
 Withstanding Voltage: 1500V AC/minute
 Pin Material: Brass/Gold over Nickel
 Material: PBT,UL94V-0(Black)

Ordering Information & Dimensions

Circuits	Dimensions(mm)			Circuits	Dimensions(mm)		
	A	B	C		A	B	C
2P	2.54	7.62	5.59	14P	33.02	38.10	36.07
3P	5.08	10.16	8.13	15P	35.56	40.64	38.61
4P	7.62	12.70	10.67	16P	38.10	43.18	41.15
5P	10.16	15.24	13.21	17P	40.64	45.72	43.69
6P	12.70	17.78	15.75	18P	43.18	48.26	46.23
7P	15.24	20.32	18.29	19P	45.72	50.80	48.77
8P	17.78	22.86	20.83	20P	48.26	53.34	51.31
9P	20.32	25.40	23.37	21P	50.80	55.88	53.85
10P	22.86	27.94	25.91	22P	53.34	58.42	56.39
11P	25.40	30.48	28.45	23P	55.88	60.96	58.93
12P	27.94	33.02	30.99	24P	58.42	63.50	61.47
13P	30.48	35.56	33.53	25P	60.96	66.04	64.01



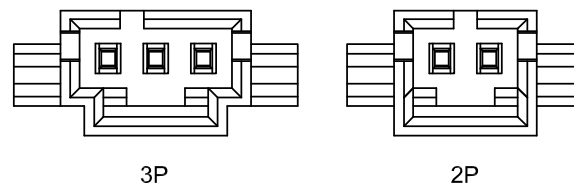
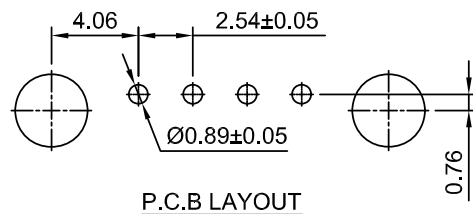
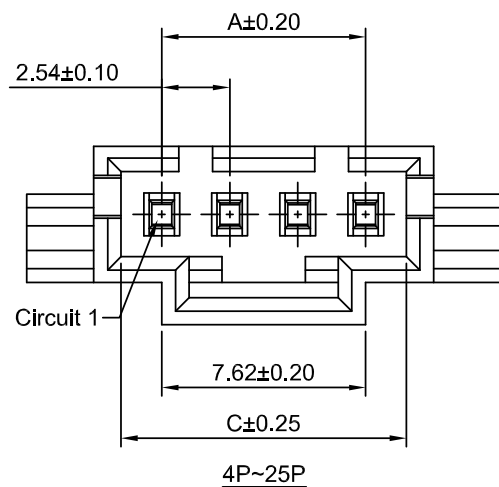
深圳市华德共创科技有限公司

Shenzhen Huade co-create Technology Co.,LTD

TEL : 0755-27129737 FAX : 0755-29940187

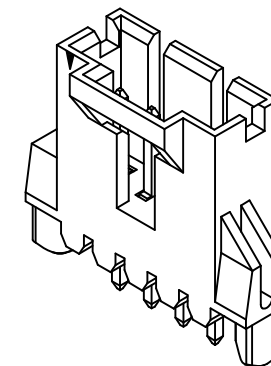
-TOLERANCES- UNLESS OTHERWISE SPECIFIED 公差参数表						TITLE: 2.54mm Pitch 产品名称: 90° Wafer			
X.X	±0.30	X.X°	±3°	APPD: 核准:	XIE	PART NO: 产品编号: HDGC2547WRA-FJ-XP			
X.XX	±0.30	X.XX°	±2°	CHECK: 校对:	WANG	DATE	SCALE	UNIT	CODE NUMBER
X.XXX	±0.10	X.XXX°	±1°	DRAW: 绘图:	WANG	2017-09-12	4:1	mm	A008

修订 REV	标记 MARK	修改摘要 REVISION DESCRIPTION	签名 SIGNATURE	日期 DATE
AO		NEW RELEASE	WANG	2017-09-12



Ordering Information:
 HDGC2547WVA-F-XP - *
 1 2

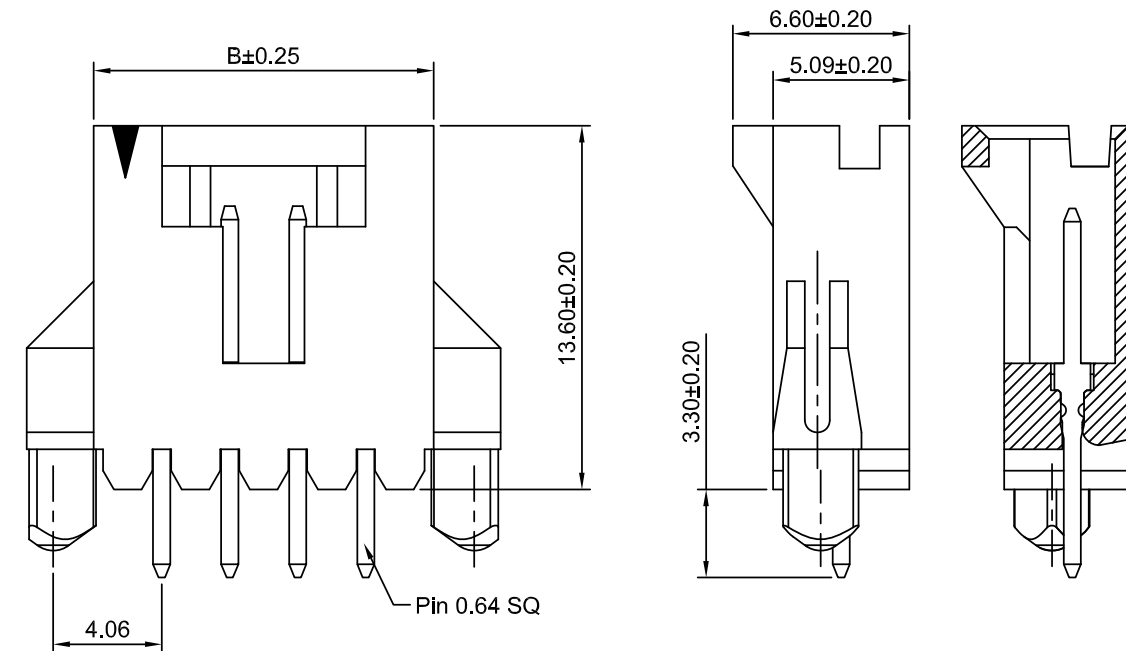
1.Part No.
 2.Finish:
 G - Gold over Nickel
 (blank) - Tin over Nickel



SPECIFICATIONS:
 Current Rating: 3A AC,DC
 Voltage Rating: 250V AC,DC
 Temperature Range: -25°C ~ +85°C
 Contact Resistance: 20mΩ Max
 Insulation Resistance: 1000MΩ Min
 Withstanding Voltage: 1500V AC/minute
 Pin Material: Brass/Gold over Nickel
 Material: PBT,UL94V-0(Black)

Ordering Information & Dimensions

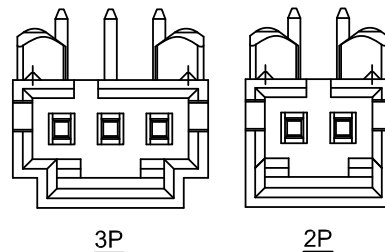
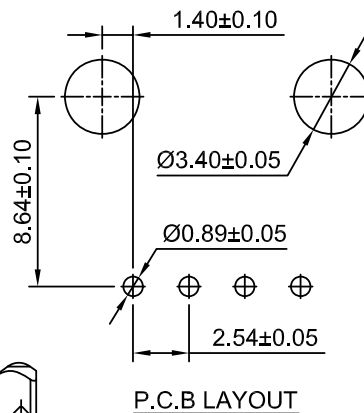
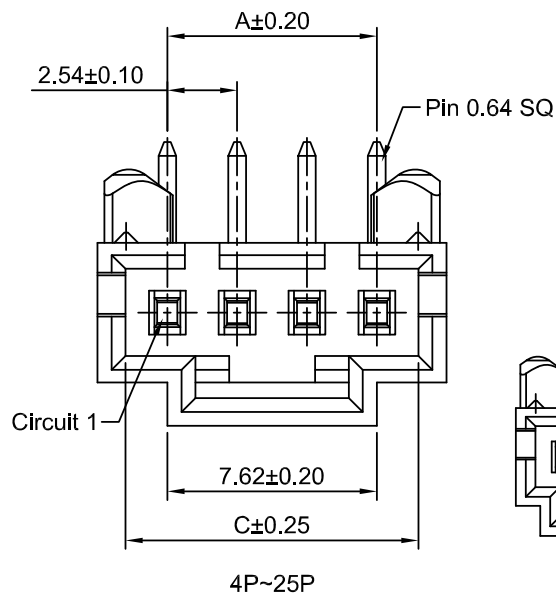
Circuits	Dimensions(mm)			Circuits	Dimensions(mm)		
	A	B	C		A	B	C
2P	2.54	7.62	5.59	14P	33.02	38.10	36.07
3P	5.08	10.16	8.13	15P	35.56	40.64	38.61
4P	7.62	12.70	10.67	16P	38.10	43.18	41.15
5P	10.16	15.24	13.21	17P	40.64	45.72	43.69
6P	12.70	17.78	15.75	18P	43.18	48.26	46.23
7P	15.24	20.32	18.29	19P	45.72	50.80	48.77
8P	17.78	22.86	20.83	20P	48.26	53.34	51.31
9P	20.32	25.40	23.37	21P	50.80	55.88	53.85
10P	22.86	27.94	25.91	22P	53.34	58.42	56.39
11P	25.40	30.48	28.45	23P	55.88	60.96	58.93
12P	27.94	33.02	30.99	24P	58.42	63.50	61.47
13P	30.48	35.56	33.53	25P	60.96	66.04	64.01



HDGC 深圳市华德共创科技有限公司
 Shenzhen Huade co-create Technology Co.,LTD
 TEL : 0755-27129737 FAX : 0755-29940187

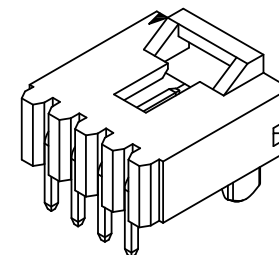
-TOLERANCES- UNLESS OTHERWISE SPECIFIED 公差参数表				TITLE: 产品名称: 2.54mm Pitch 180° Wafer	
X.X	±0.30	X.X°	±3°	APPD: 核准:	XIE
X.XX	±0.30	X.XX°	±2°	CHECK: 校对:	WANG
X.XXX	±0.10	X.XXX°	±1°	DRAW: 绘图:	WANG
PART NO: 产品编号:				HDGC2547WVA-F-XP	
DATE		SCALE	UNIT	CODE NUMBER	
2017-09-12		4:1	mm	A008	

修订 REV	标记 MARK	修改摘要 REVISION DESCRIPTION	签名 SIGNATURE	日期 DATE
AO		NEW RELEASE	WANG	2017-09-12



Ordering Information:
HDGC2547WRA-F-XP - *
1 2

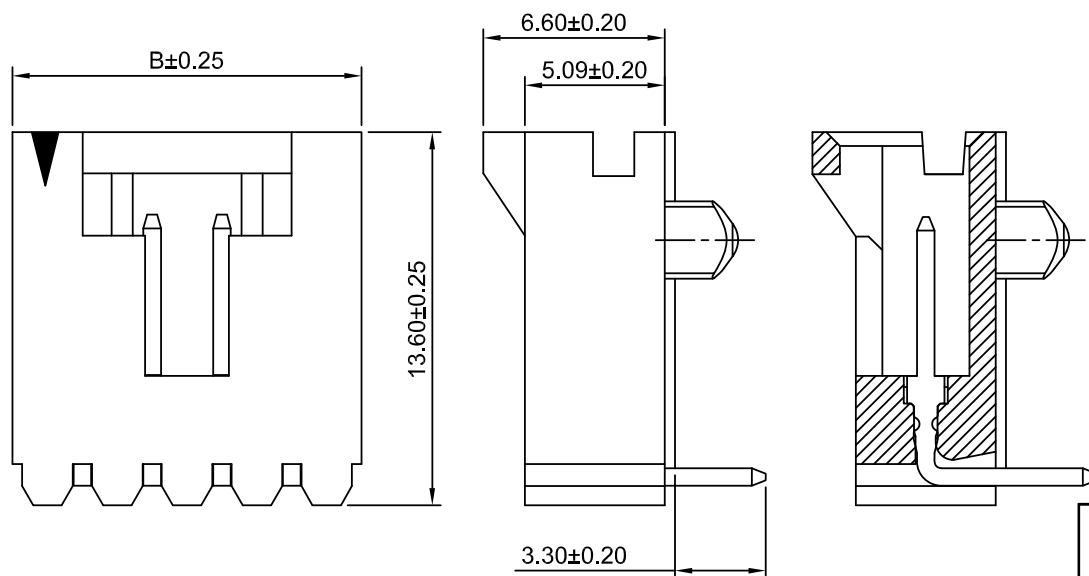
1.Part No.
2.Finish:
G - Gold over Nickel
(blank) - Tin over Nickel



SPECIFICATIONS:
Current Rating: 3A AC,DC
Voltage Rating: 250V AC,DC
Temperature Range: -25°C ~ +85°C
Contact Resistance: 20mΩ Max
Insulation Resistance: 1000MΩ Min
Withstanding Voltage: 1500V AC/minute
Pin Material: Brass/Gold over Nickel
Material: PBT,UL94V-0(Black)

Ordering Information & Dimensions

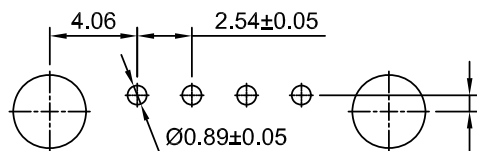
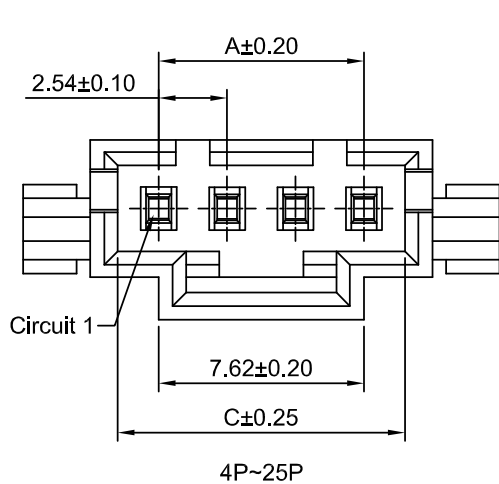
Circuits	Dimensions(mm)			Circuits	Dimensions(mm)		
	A	B	C		A	B	C
2P	2.54	7.62	5.59	14P	33.02	38.10	36.07
3P	5.08	10.16	8.13	15P	35.56	40.64	38.61
4P	7.62	12.70	10.67	16P	38.10	43.18	41.15
5P	10.16	15.24	13.21	17P	40.64	45.72	43.69
6P	12.70	17.78	15.75	18P	43.18	48.26	46.23
7P	15.24	20.32	18.29	19P	45.72	50.80	48.77
8P	17.78	22.86	20.83	20P	48.26	53.34	51.31
9P	20.32	25.40	23.37	21P	50.80	55.88	53.85
10P	22.86	27.94	25.91	22P	53.34	58.42	56.39
11P	25.40	30.48	28.45	23P	55.88	60.96	58.93
12P	27.94	33.02	30.99	24P	58.42	63.50	61.47
13P	30.48	35.56	33.53	25P	60.96	66.04	64.01



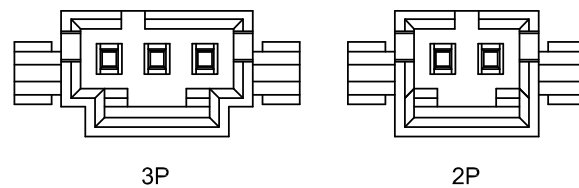
HDGC 深圳市华德共创科技有限公司
Shenzhen Huade co-create Technology Co.,LTD
TEL : 0755-27129737 FAX : 0755-29940187

-TOLERANCES- UNLESS OTHERWISE SPECIFIED 公差参数表				TITLE: 2.54mm Pitch 产品名称: 90° Wafer	
X.X	±0.30	X.X°	±3°	APPD: 核准:	XIE
X.XX	±0.30	X.XX°	±2°	CHECK: 校对:	WANG
X.XXX	±0.10	X.XXX°	±1°	DRAW: 绘图:	WANG
PART NO: 产品编号:				HDGC2547WRA-F-XP	
DATE		SCALE	UNIT	CODE NUMBER	
2017-09-12		4:1	mm	A008	

修订 REV	标记 MARK	修改摘要 REVISION DESCRIPTION	签名 SIGNATURE	日期 DATE
AO		NEW RELEASE	WANG	2017-09-12



P.C.B LAYOUT

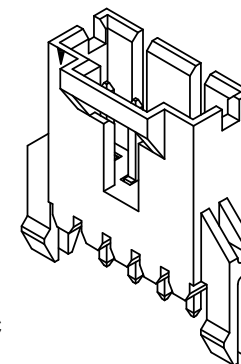


3P

2P

Ordering Information:
HDGC2547WVA-F2-XP - *
1 2

- Part No.
- Finish:
G - Gold over Nickel
(blank) - Tin over Nickel

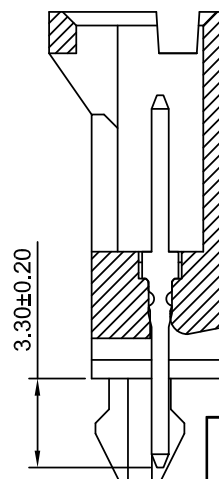
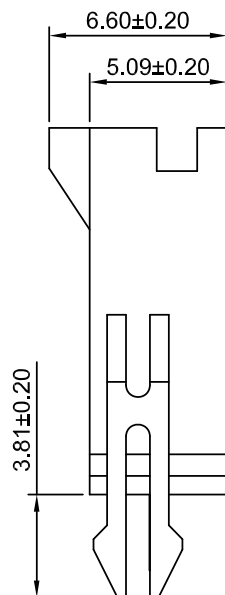
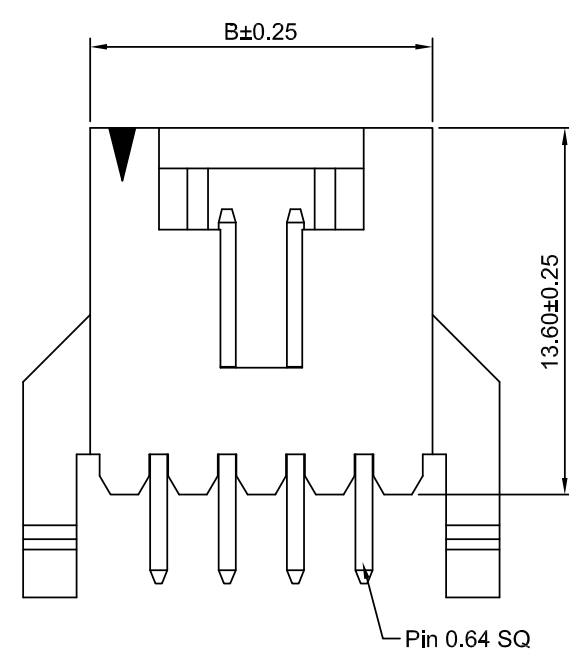


SPECIFICATIONS:

Current Rating: 3A AC,DC
Voltage Rating: 250V AC,DC
Temperature Range: -25°C ~ +85°C
Contact Resistance: 20mΩ Max
Insulation Resistance: 1000MΩ Min
Withstanding Voltage: 1500V AC/minute
Pin Material: Brass/Gold over Nickel
Material: PBT,UL94V-0(Black)

Ordering Information & Dimensions

Circuits	Dimensions(mm)			Circuits	Dimensions(mm)		
	A	B	C		A	B	C
2P	2.54	7.62	5.59	14P	33.02	38.10	36.07
3P	5.08	10.16	8.13	15P	35.56	40.64	38.61
4P	7.62	12.70	10.67	16P	38.10	43.18	41.15
5P	10.16	15.24	13.21	17P	40.64	45.72	43.69
6P	12.70	17.78	15.75	18P	43.18	48.26	46.23
7P	15.24	20.32	18.29	19P	45.72	50.80	48.77
8P	17.78	22.86	20.83	20P	48.26	53.34	51.31
9P	20.32	25.40	23.37	21P	50.80	55.88	53.85
10P	22.86	27.94	25.91	22P	53.34	58.42	56.39
11P	25.40	30.48	28.45	23P	55.88	60.96	58.93
12P	27.94	33.02	30.99	24P	58.42	63.50	61.47
13P	30.48	35.56	33.53	25P	60.96	66.04	64.01



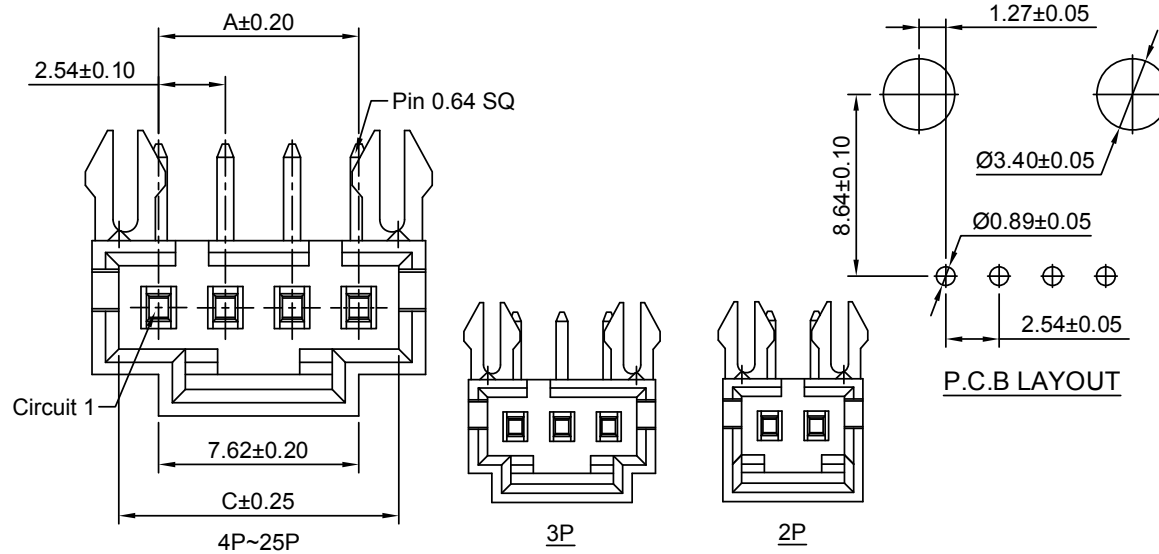
深圳市华德共创科技有限公司

Shenzhen Huade co-create Technology Co.,LTD

TEL : 0755-27129737 FAX : 0755-29940187

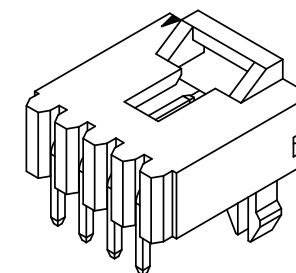
-TOLERANCES- UNLESS OTHERWISE SPECIFIED 公差参数表						TITLE: 2.54mm Pitch 产品名称: 180° Wafer			
X.X	±0.30	X.X°	±3°	APPD: 核准:	XIE	PART NO: 产品编号: HDGC2547WVA-F2-XP			
X.XX	±0.30	X.XX°	±2°	CHECK: 校对:	WANG	DATE	SCALE	UNIT	CODE NUMBER
X.XXX	±0.10	X.XXX°	±1°	DRAW: 绘图:	WANG	2017-09-12	4:1	mm	A008

修订 REV	标记 MARK	修改摘要 REVISION DESCRIPTION	签名 SIGNATURE	日期 DATE
AO		NEW RELEASE	WANG	2017-09-12



Ordering Information:
 HDGC2547WRA-F2-XP - *
 1 2

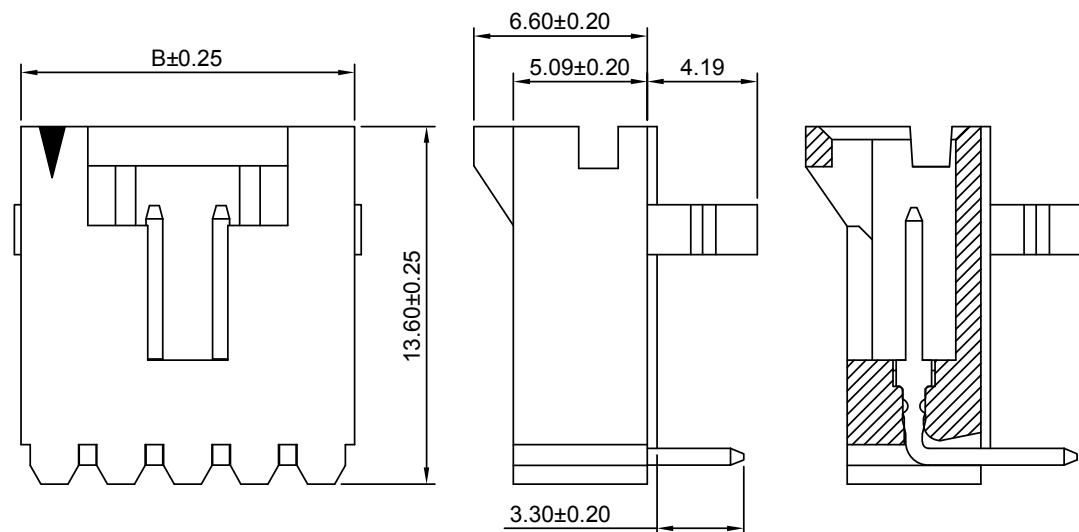
1. Part No.
 2. Finish:
 G - Gold over Nickel
 (blank) - Tin over Nickel



SPECIFICATIONS:
 Current Rating: 3A AC,DC
 Voltage Rating: 250V AC,DC
 Temperature Range: -25°C ~ +85°C
 Contact Resistance: 20mΩ Max
 Insulation Resistance: 1000MΩ Min
 Withstanding Voltage: 1500V AC/minute
 Pin Material: Brass/Gold over Nickel
 Material: PBT,UL94V-0(Black)

Ordering Information & Dimensions

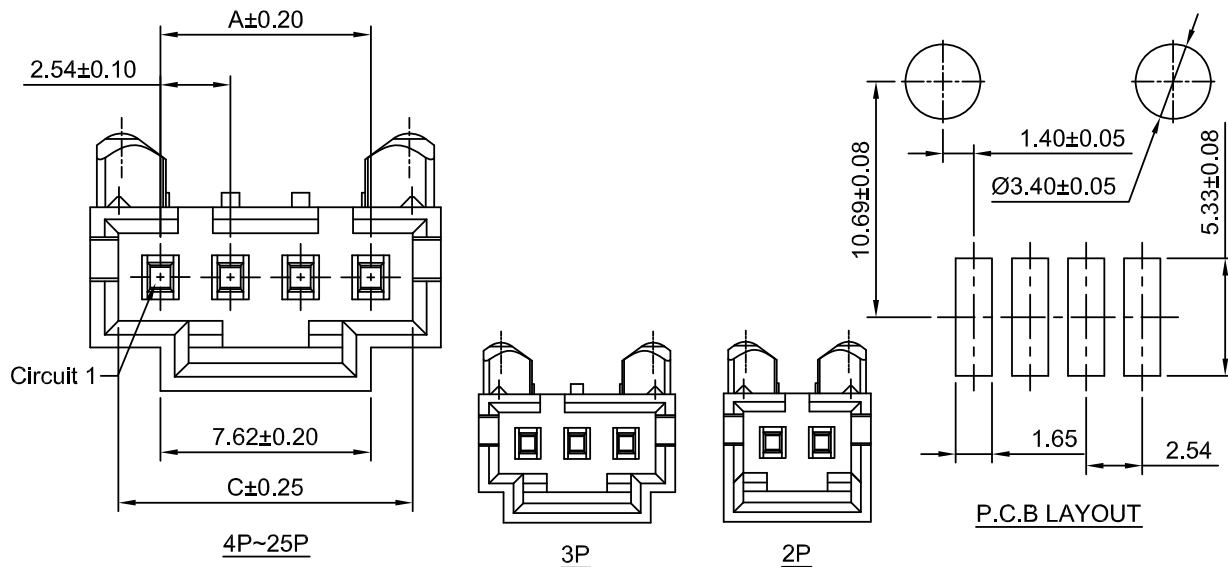
Circuits	Dimensions(mm)			Circuits	Dimensions(mm)		
	A	B	C		A	B	C
2P	2.54	7.62	5.59	14P	33.02	38.10	36.07
3P	5.08	10.16	8.13	15P	35.56	40.64	38.61
4P	7.62	12.70	10.67	16P	38.10	43.18	41.15
5P	10.16	15.24	13.21	17P	40.64	45.72	43.69
6P	12.70	17.78	15.75	18P	43.18	48.26	46.23
7P	15.24	20.32	18.29	19P	45.72	50.80	48.77
8P	17.78	22.86	20.83	20P	48.26	53.34	51.31
9P	20.32	25.40	23.37	21P	50.80	55.88	53.85
10P	22.86	27.94	25.91	22P	53.34	58.42	56.39
11P	25.40	30.48	28.45	23P	55.88	60.96	58.93
12P	27.94	33.02	30.99	24P	58.42	63.50	61.47
13P	30.48	35.56	33.53	25P	60.96	66.04	64.01



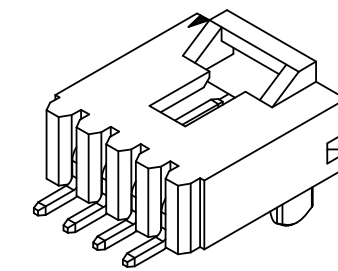
HDGC 深圳市华德共创科技有限公司
 Shenzhen Huade co-create Technology Co.,LTD
 TEL : 0755-27129737 FAX : 0755-29940187

-TOLERANCES- UNLESS OTHERWISE SPECIFIED 公差参数表						TITLE: 2.54mm Pitch 产品名称: 90° Wafer			
X.X	±0.30	X.X°	±3°	APPD: 核准:	XIE	PART NO: 产品编号: HDGC2547WRA-F2-XP			
X.XX	±0.30	X.XX°	±2°	CHECK: 校对:	WANG	DATE	SCALE	UNIT	CODE NUMBER
X.XXX	±0.10	X.XXX°	±1°	DRAW: 绘图:	WANG	2017-09-12	4:1	mm	A008

修订 REV	标记 MARK	修改摘要 REVISION DESCRIPTION	签名 SIGNATURE	日期 DATE
AO		NEW RELEASE	WANG	2017-09-12



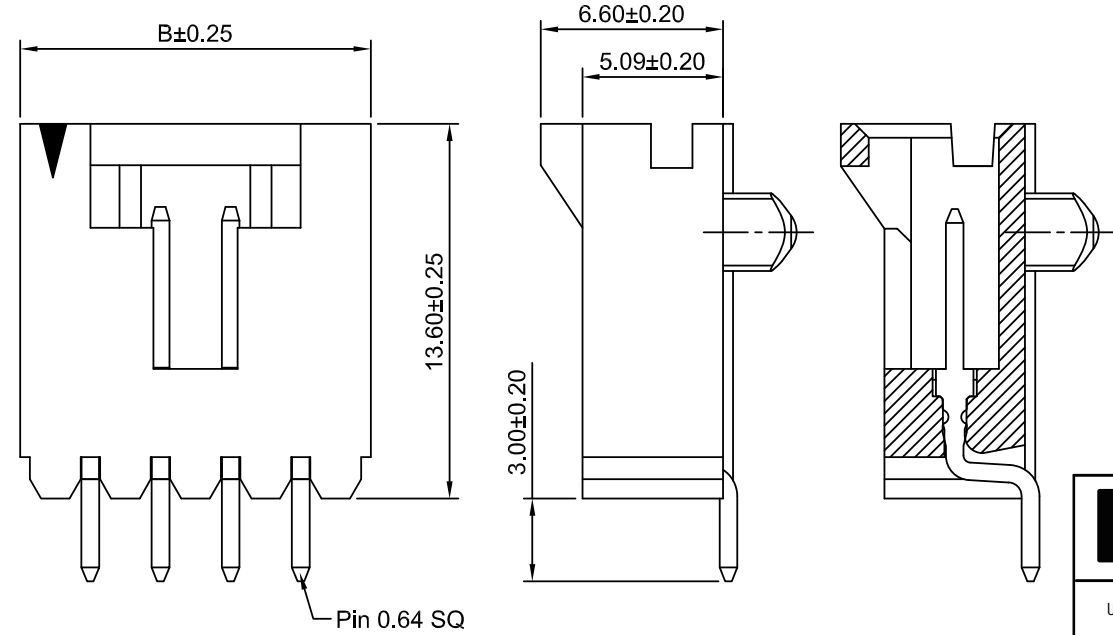
Ordering Information:
HDGC2547WRA-S-F-XP - *
 1 2
 1.Part No.
 2.Finish:
 G - Gold over Nickel
 (blank) - Tin over Nickel



SPECIFICATIONS:
 Current Rating: 3A AC,DC
 Voltage Rating: 250V AC,DC
 Temperature Range: -25°C ~ +85°C
 Contact Resistance: 20mΩ Max
 Insulation Resistance: 1000MΩ Min
 Withstanding Voltage: 1500V AC/minute
 Pin Material: Brass/Gold over Nickel
 Material: PBT,UL94V-0(Black)

Ordering Information & Dimensions

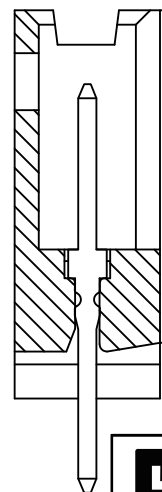
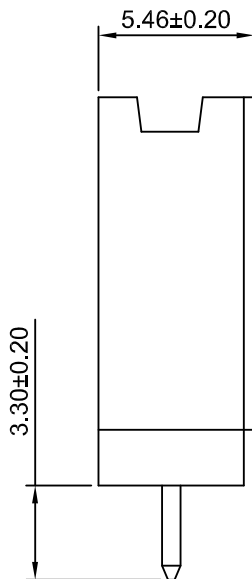
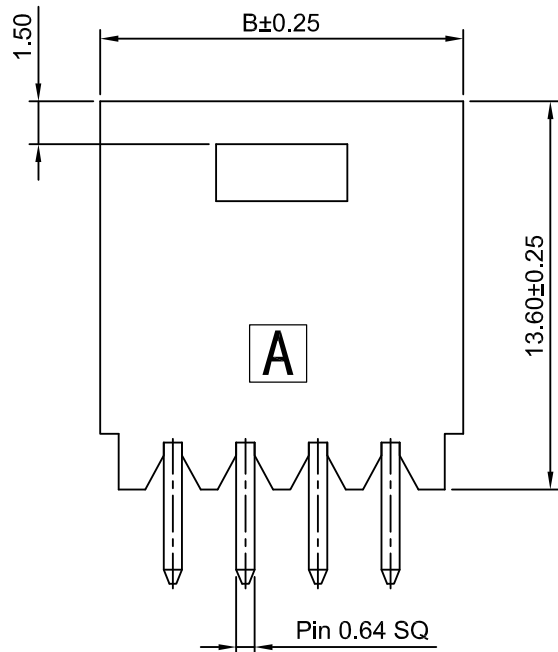
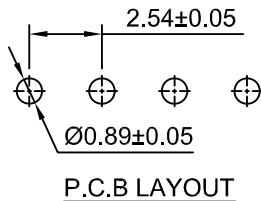
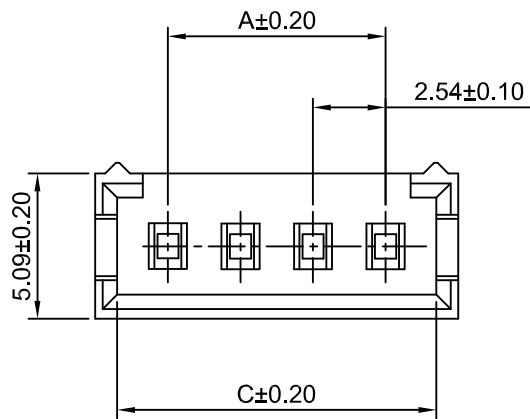
Circuits	Dimensions(mm)			Circuits	Dimensions(mm)		
	A	B	C		A	B	C
2P	2.54	7.62	5.59	14P	33.02	38.10	36.07
3P	5.08	10.16	8.13	15P	35.56	40.64	38.61
4P	7.62	12.70	10.67	16P	38.10	43.18	41.15
5P	10.16	15.24	13.21	17P	40.64	45.72	43.69
6P	12.70	17.78	15.75	18P	43.18	48.26	46.23
7P	15.24	20.32	18.29	19P	45.72	50.80	48.77
8P	17.78	22.86	20.83	20P	48.26	53.34	51.31
9P	20.32	25.40	23.37	21P	50.80	55.88	53.85
10P	22.86	27.94	25.91	22P	53.34	58.42	56.39
11P	25.40	30.48	28.45	23P	55.88	60.96	58.93
12P	27.94	33.02	30.99	24P	58.42	63.50	61.47
13P	30.48	35.56	33.53	25P	60.96	66.04	64.01



HDGC 深圳市华德共创科技有限公司
 Shenzhen Huade co-create Technology Co.,LTD
 TEL : 0755-27129737 FAX : 0755-29940187

-TOLERANCES- UNLESS OTHERWISE SPECIFIED 公差参数表						TITLE: 2.54mm Pitch 产品名称: 90° Wafer			
X.X	±0.30	X.X°	±3°	APPD: 核准:	XIE	PART NO: 产品编号: HDGC2547WRA-S-F-XP			
X.XX	±0.30	X.XX°	±2°	CHECK: 校对:	WANG	DATE	SCALE	UNIT	CODE NUMBER
X.XXX	±0.10	X.XXX°	±1°	DRAW: 绘图:	WANG	2017-09-12	4:1	mm	A008

修订 REV	标记 MARK	修改摘要 REVISION DESCRIPTION	签名 SIGNATURE	日期 DATE
AO		NEW RELEASE	WANG	2017-09-12



Ordering Information:
HDGC2547WVE-XP - *

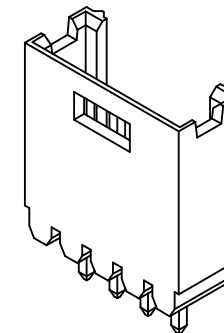
1 2

1.Part No.

2.Finish:

G - Gold over Nickel

(blank) - Tin over Nickel



SPECIFICATIONS:

Current Rating: 3A AC,DC

Voltage Rating: 250V AC,DC

Temperature Range: -25°C ~ +85°C

Contact Resistance: 20mΩ Max

Insulation Resistance: 1000MΩ Min

Withstanding Voltage: 1500V AC/minute

Pin Material: Brass/Gold over Nickel

Material: PBT,UL94V-0(Black)

Ordering Information & Dimensions

Circuits	Dimensions(mm)			Circuits	Dimensions(mm)		
	A	B	C		A	B	C
2P	2.54	7.62	5.59	14P	33.02	38.10	36.07
3P	5.08	10.16	8.13	15P	35.56	40.64	38.61
4P	7.62	12.70	10.67	16P	38.10	43.18	41.15
5P	10.16	15.24	13.21	17P	40.64	45.72	43.69
6P	12.70	17.78	15.75	18P	43.18	48.26	46.23
7P	15.24	20.32	18.29	19P	45.72	50.80	48.77
8P	17.78	22.86	20.83	20P	48.26	53.34	51.31
9P	20.32	25.40	23.37	21P	50.80	55.88	53.85
10P	22.86	27.94	25.91	22P	53.34	58.42	56.39
11P	25.40	30.48	28.45	23P	55.88	60.96	58.93
12P	27.94	33.02	30.99	24P	58.42	63.50	61.47
13P	30.48	35.56	33.53	25P	60.96	66.04	64.01



深圳市华德共创科技有限公司

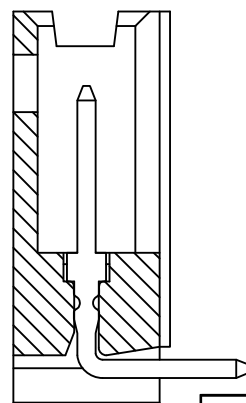
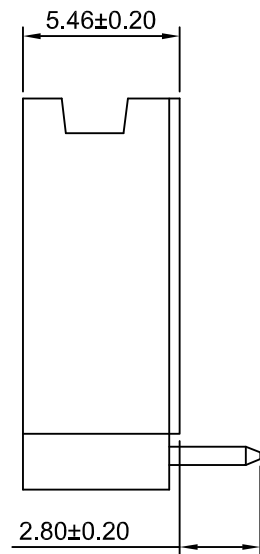
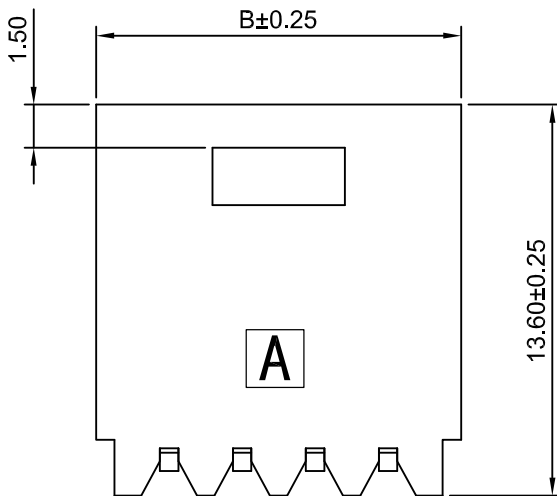
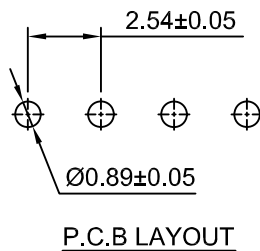
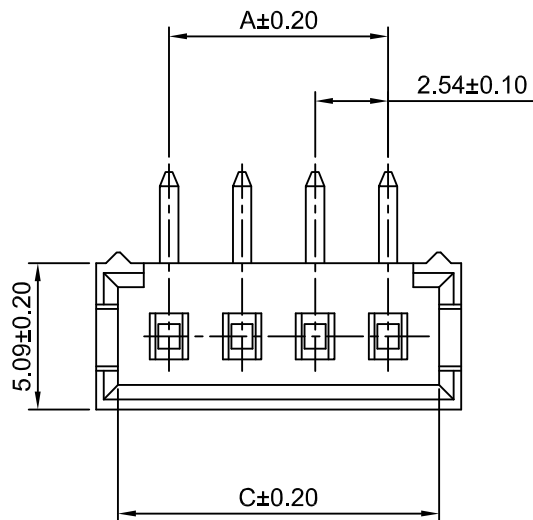
Shenzhen Huade co-create Technology Co.,LTD

TEL : 0755-27129737

FAX : 0755-29940187

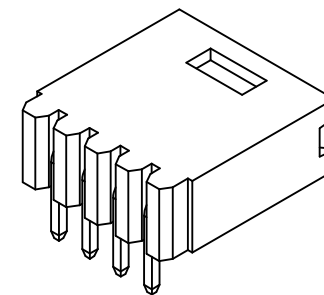
-TOLERANCES- UNLESS OTHERWISE SPECIFIED 公差参数表				 		TITLE: 2.54mm Pitch 产品名称: 180° Wafer			
X.X	±0.30	X.X°	±3°	APPD: 核准:	XIE	PART NO: 产品编号: HDGC2547WVE-XP			
X.XX	±0.30	X.XX°	±2°	CHECK: 校对:	WANG	DATE	SCALE	UNIT	CODE NUMBER
X.XXX	±0.10	X.XXX°	±1°	DRAW: 绘图:	WANG	2017-09-12	4:1	mm	A008

修订 REV	标记 MARK	修改摘要 REVISION DESCRIPTION	签名 SIGNATURE	日期 DATE
AO		NEW RELEASE	WANG	2017-09-12



Ordering Information:
HDGC2547WRE-XP - *
 1 2

1.Part No.
 2.Finish:
G - Gold over Nickel
 (blank) - Tin over Nickel



SPECIFICATIONS:
 Current Rating: 3A AC,DC
 Voltage Rating: 250V AC,DC
 Temperature Range: -25°C ~ +85°C
 Contact Resistance: 20mΩ Max
 Insulation Resistance: 1000MΩ Min
 Withstanding Voltage: 1500V AC/minute
 Pin Material: Brass/Gold over Nickel
 Material: PBT,UL94V-0(Black)

Ordering Information & Dimensions

Circuits	Dimensions(mm)			Circuits	Dimensions(mm)		
	A	B	C		A	B	C
2P	2.54	7.62	5.59	14P	33.02	38.10	36.07
3P	5.08	10.16	8.13	15P	35.56	40.64	38.61
4P	7.62	12.70	10.67	16P	38.10	43.18	41.15
5P	10.16	15.24	13.21	17P	40.64	45.72	43.69
6P	12.70	17.78	15.75	18P	43.18	48.26	46.23
7P	15.24	20.32	18.29	19P	45.72	50.80	48.77
8P	17.78	22.86	20.83	20P	48.26	53.34	51.31
9P	20.32	25.40	23.37	21P	50.80	55.88	53.85
10P	22.86	27.94	25.91	22P	53.34	58.42	56.39
11P	25.40	30.48	28.45	23P	55.88	60.96	58.93
12P	27.94	33.02	30.99	24P	58.42	63.50	61.47
13P	30.48	35.56	33.53	25P	60.96	66.04	64.01



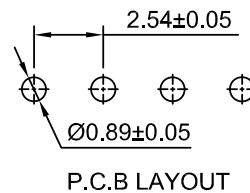
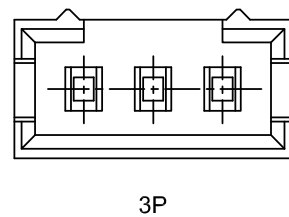
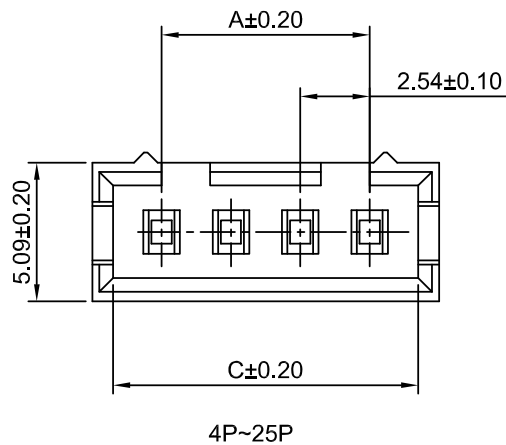
深圳市华德共创科技有限公司

Shenzhen Huade co-create Technology Co.,LTD

TEL : 0755-27129737 FAX : 0755-29940187

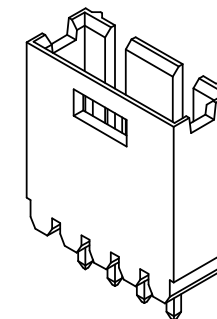
-TOLERANCES- UNLESS OTHERWISE SPECIFIED 公差参数表						TITLE: 2.54mm Pitch 产品名称: 90° Wafer			
X.X	±0.30	X.X°	±3°	APPD: 核准:	XIE	PART NO: 产品编号: HDGC2547WRE-XP			
X.XX	±0.30	X.XX°	±2°	CHECK: 校对:	WANG	DATE	SCALE	UNIT	CODE NUMBER
X.XXX	±0.10	X.XXX°	±1°	DRAW: 绘图:	WANG	2017-09-12	4:1	mm	A008

修订 REV	标记 MARK	修改摘要 REVISION DESCRIPTION	签名 SIGNATURE	日期 DATE
AO		NEW RELEASE	WANG	2017-09-12



Ordering Information:
HDGC2547WVF-XP - *
1 2

- 1.Part No.
2.Finish:
G - Gold over Nickel
(blank) - Tin over Nickel

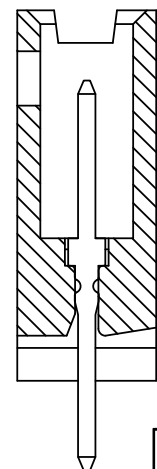
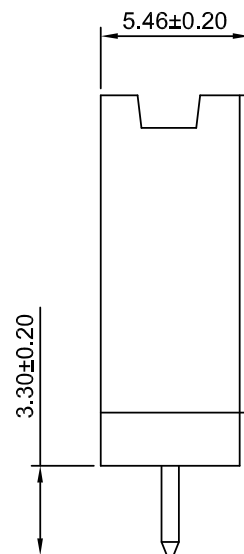
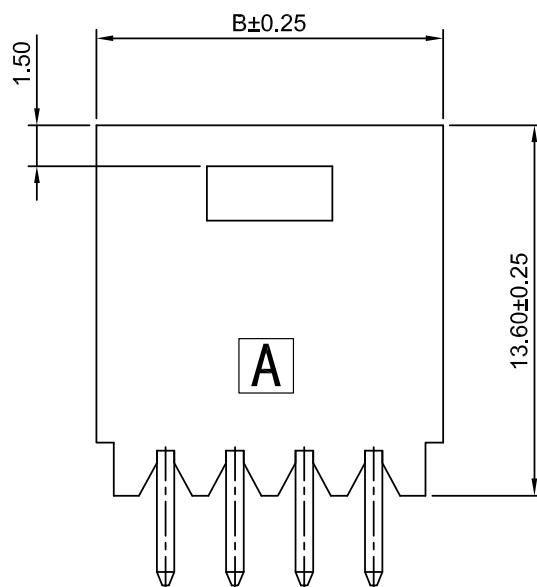


SPECIFICATIONS:

Current Rating: 3A AC,DC
Voltage Rating: 250V AC,DC
Temperature Range: -25°C ~ +85°C
Contact Resistance: 20mΩ Max
Insulation Resistance: 1000MΩ Min
Withstanding Voltage: 1500V AC/minute
Pin Material: Brass/Gold over Nickel
Material: PBT,UL94V-0(Black)

Ordering Information & Dimensions

Circuits	Dimensions(mm)			Circuits	Dimensions(mm)		
	A	B	C		A	B	C
3P	5.08	10.16	8.13	15P	35.56	40.64	38.61
4P	7.62	12.70	10.67	16P	38.10	43.18	41.15
5P	10.16	15.24	13.21	17P	40.64	45.72	43.69
6P	12.70	17.78	15.75	18P	43.18	48.26	46.23
7P	15.24	20.32	18.29	19P	45.72	50.80	48.77
8P	17.78	22.86	20.83	20P	48.26	53.34	51.31
9P	20.32	25.40	23.37	21P	50.80	55.88	53.85
10P	22.86	27.94	25.91	22P	53.34	58.42	56.39
11P	25.40	30.48	28.45	23P	55.88	60.96	58.93
12P	27.94	33.02	30.99	24P	58.42	63.50	61.47
13P	30.48	35.56	33.53	25P	60.96	66.04	64.01
14P	33.02	38.10	36.07				



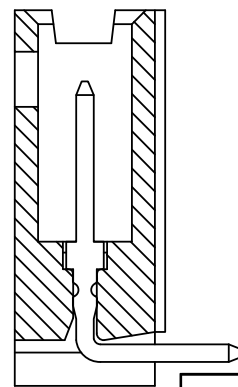
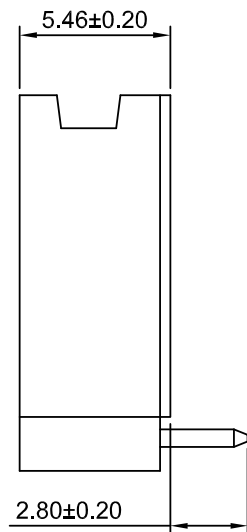
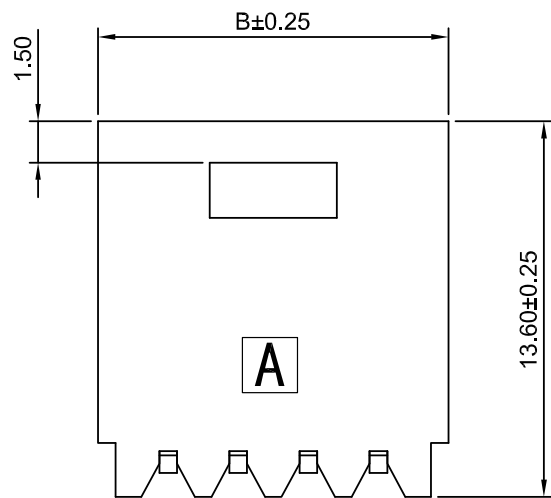
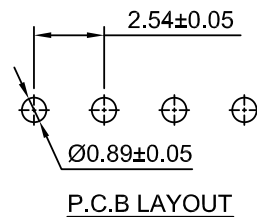
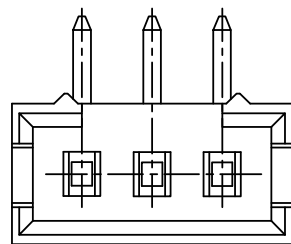
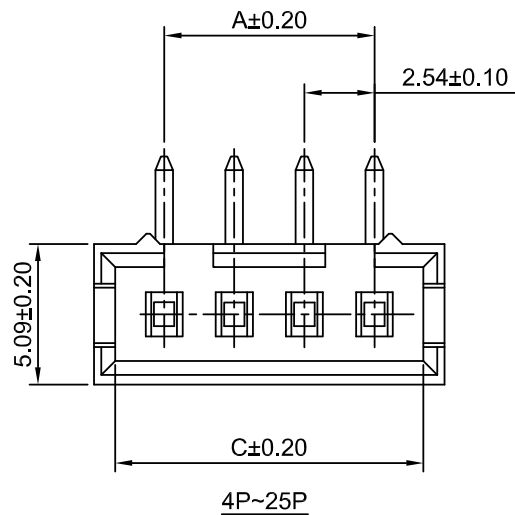
深圳市华德共创科技有限公司

Shenzhen Huade co-create Technology Co.,LTD

TEL : 0755-27129737 FAX : 0755-29940187

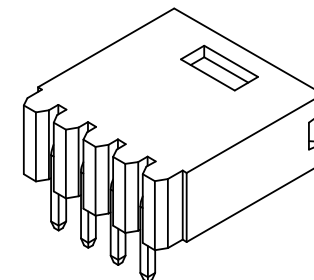
-TOLERANCES- UNLESS OTHERWISE SPECIFIED 公差参数表				 		TITLE: 2.54mm Pitch 产品名称: 180° Wafer			
X.X	±0.30	X.X°	±3°	APPD: 核准:	XIE	PART NO: 产品编号: HDGC2547WVF-XP			
X.XX	±0.30	X.XX°	±2°	CHECK: 校对:	WANG	DATE	SCALE	UNIT	CODE NUMBER
X.XXX	±0.10	X.XXX°	±1°	DRAW: 绘图:	WANG	2017-09-12	4:1	mm	A008

修订 REV	标记 MARK	修改摘要 REVISION DESCRIPTION	签名 SIGNATURE	日期 DATE
AO		NEW RELEASE	WANG	2017-09-12



Ordering Information:
HDGC2547WRF-XP - *
1 2

- Part No.
- Finish:
G - Gold over Nickel
(blank) - Tin over Nickel



SPECIFICATIONS:
Current Rating: 3A AC,DC
Voltage Rating: 250V AC,DC
Temperature Range: -25°C ~ +85°C
Contact Resistance: 20mΩ Max
Insulation Resistance: 1000MΩ Min
Withstanding Voltage: 1500V AC/minute
Pin Material: Brass/Gold over Nickel
Material: PBT,UL94V-0(Black)

Ordering Information & Dimensions

Circuits	Dimensions(mm)			Circuits	Dimensions(mm)		
	A	B	C		A	B	C
2P	2.54	7.62	5.59	14P	33.02	38.10	36.07
3P	5.08	10.16	8.13	15P	35.56	40.64	38.61
4P	7.62	12.70	10.67	16P	38.10	43.18	41.15
5P	10.16	15.24	13.21	17P	40.64	45.72	43.69
6P	12.70	17.78	15.75	18P	43.18	48.26	46.23
7P	15.24	20.32	18.29	19P	45.72	50.80	48.77
8P	17.78	22.86	20.83	20P	48.26	53.34	51.31
9P	20.32	25.40	23.37	21P	50.80	55.88	53.85
10P	22.86	27.94	25.91	22P	53.34	58.42	56.39
11P	25.40	30.48	28.45	23P	55.88	60.96	58.93
12P	27.94	33.02	30.99	24P	58.42	63.50	61.47
13P	30.48	35.56	33.53	25P	60.96	66.04	64.01



深圳市华德共创科技有限公司

Shenzhen Huade co-create Technology Co.,LTD

TEL : 0755-27129737 FAX : 0755-29940187

-TOLERANCES- UNLESS OTHERWISE SPECIFIED 公差参数表				TITLE: 产品名称: 2.54mm Pitch 90° Wafer	
X.X	±0.30	X.X°	±3°	APPD: 核准:	XIE
X.XX	±0.30	X.XX°	±2°	CHECK: 校对:	WANG
X.XXX	±0.10	X.XXX°	±1°	DRAW: 绘图:	WANG
PART NO: 产品编号:			HDGC2547WRF-XP		
DATE	SCALE	UNIT	CODE NUMBER		
2017-09-12	4:1	mm	A008		

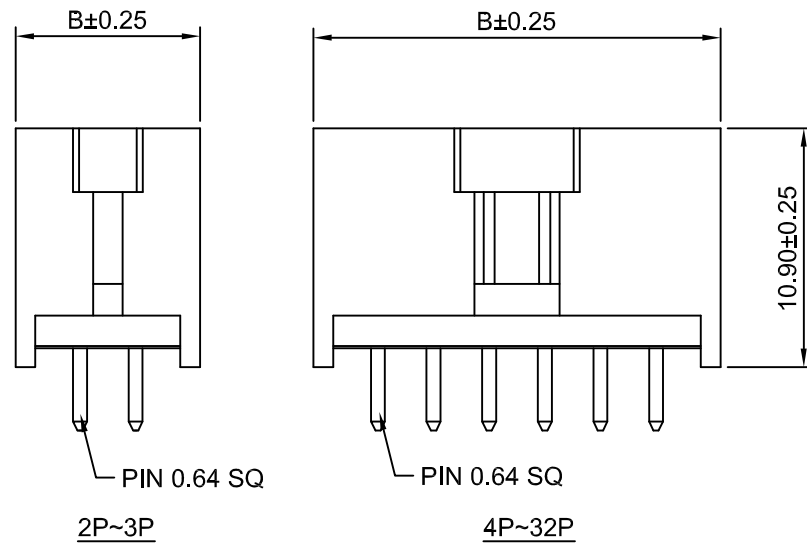
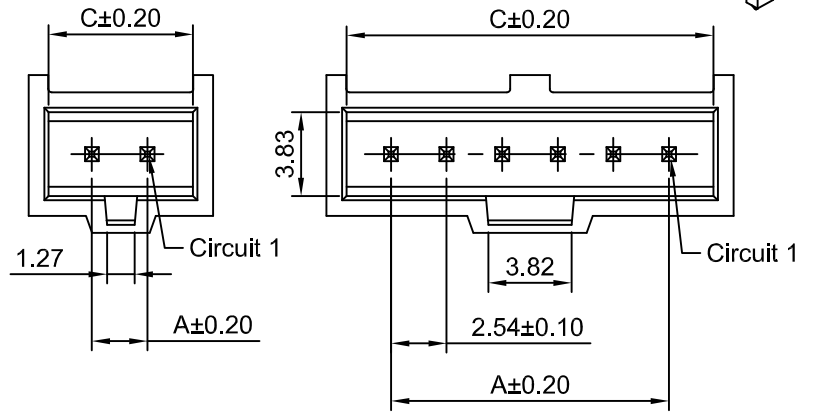
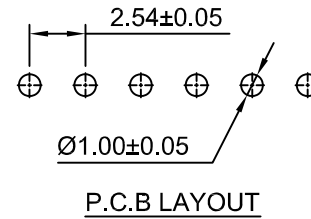
修订 REV	标记 MARK	修改摘要 REVISION DESCRIPTION	签名 SIGNATURE	日期 DATE
AO		NEW RELEASE	WANG	2017-09-12

SPECIFICATIONS:

Current Rating: 3A AC,DC
Voltage Rating: 250V AC,DC
Temperature Range: -25°C ~ +85°C
Contact Resistance: 20mΩ Max
Insulation Resistance: 1000MΩ Min
Withstanding Voltage: 1500V AC/minute
Pin Material: Brass/Gold over Nickel
Material: PBT,UL94V-0(Black)

Ordering Information & Dimensions

Circuits	Dimensions(mm)			Circuits	Dimensions(mm)		
	A	B	C		A	B	C
2P	2.54	8.43	6.60	18P	43.18	49.07	47.24
3P	5.08	10.97	9.14	19P	45.72	51.61	49.78
4P	7.62	13.51	11.68	20P	48.26	54.15	52.32
5P	10.16	16.05	14.22	21P	50.80	56.69	54.86
6P	12.70	18.59	16.76	22P	53.34	59.23	57.40
7P	15.24	21.13	19.30	23P	55.88	61.77	59.94
8P	17.78	23.67	21.84	24P	58.42	64.31	62.48
9P	20.32	26.21	24.38	25P	60.96	66.85	65.02
10P	22.86	28.75	26.92	26P	63.50	69.39	67.56
11P	25.40	31.29	29.46	27P	66.04	71.93	70.10
12P	27.94	33.83	32.00	28P	68.58	74.47	72.64
13P	30.48	36.37	34.54	29P	71.12	77.01	75.18
14P	33.02	38.91	37.08	30P	73.66	79.55	77.72
15P	35.56	41.45	39.62	31P	76.20	82.09	80.26
16P	38.10	43.99	42.16	32P	78.74	84.63	82.80
17P	40.64	46.53	44.70				



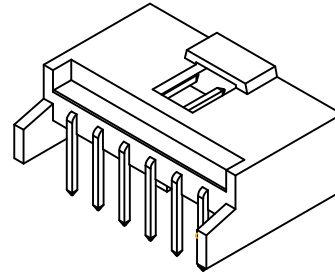
深圳市华德共创科技有限公司

Shenzhen Huade co-create Technology Co.,LTD

TEL : 0755-27129737 FAX : 0755-29940187

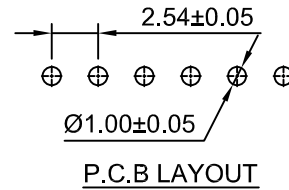
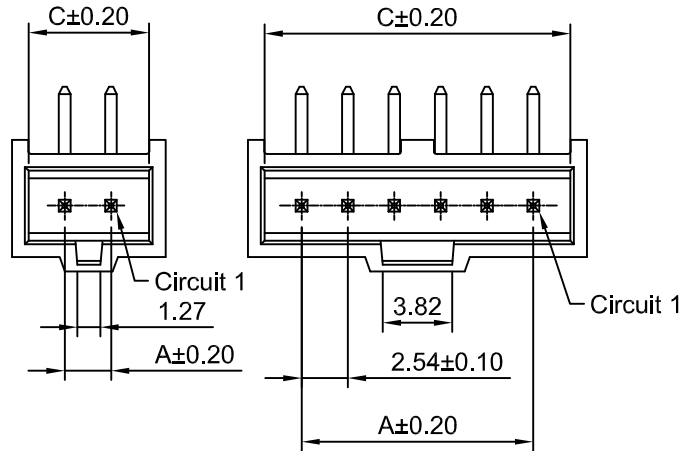
-TOLERANCES- UNLESS OTHERWISE SPECIFIED 公差参数表				TITLE: 产品名称: 2.54mm Pitch 180° Wafer	
X.X	±0.30	X.X°	±3°	APPD: 核准:	XIE
X.XX	±0.30	X.XX°	±2°	CHECK: 校对:	WANG
X.XXX	±0.10	X.XXX°	±1°	DRAW: 绘图:	WANG
PART NO: 产品编号:		HDGC2547WVB-XP			
DATE	SCALE	UNIT	CODE NUMBER		
2017-09-12	3:1	mm	A008		

修订 REV	标记 MARK	修改摘要 REVISION DESCRIPTION	签名 SIGNATURE	日期 DATE
AO		NEW RELEASE	WANG	2017-09-12

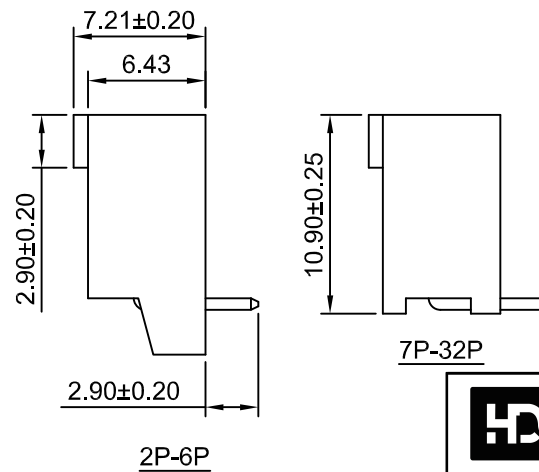
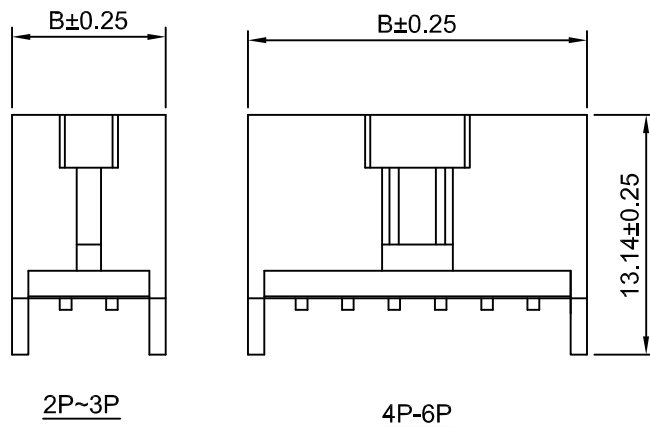


SPECIFICATIONS:

Current Rating: 3A AC,DC
Voltage Rating: 250V AC,DC
Temperature Range: -25°C ~ +85°C
Contact Resistance: 20mΩ Max
Insulation Resistance: 1000MΩ Min
Withstanding Voltage: 1500V AC/minute
Pin Material: Brass/Gold over Nickel
Material: PBT,UL94V-0(Black)
Ordering Information & Dimensions



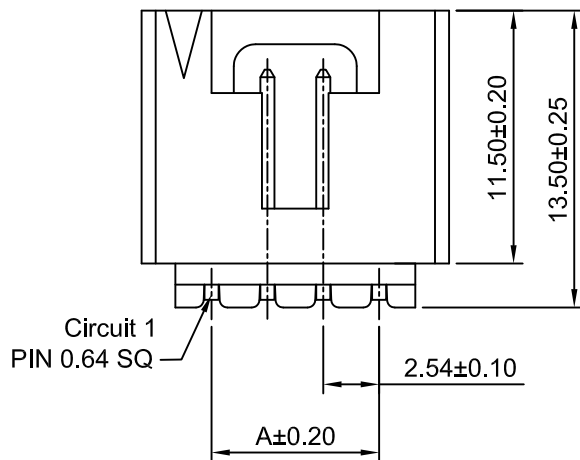
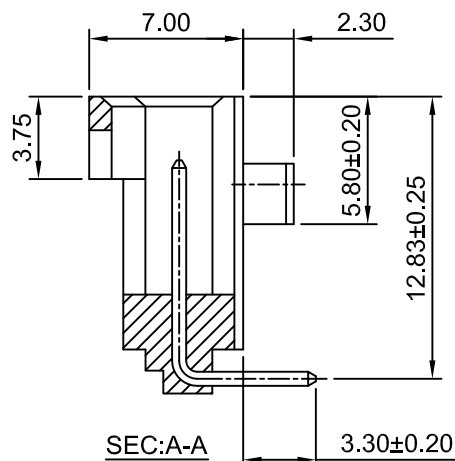
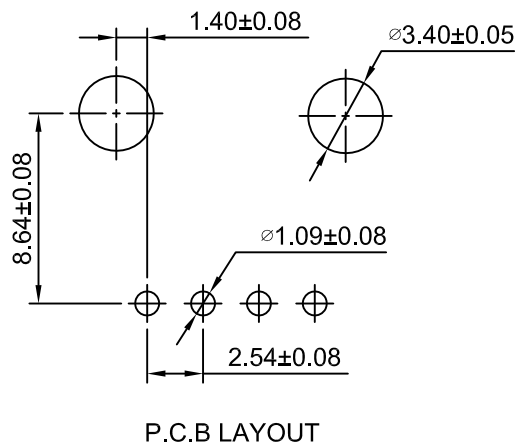
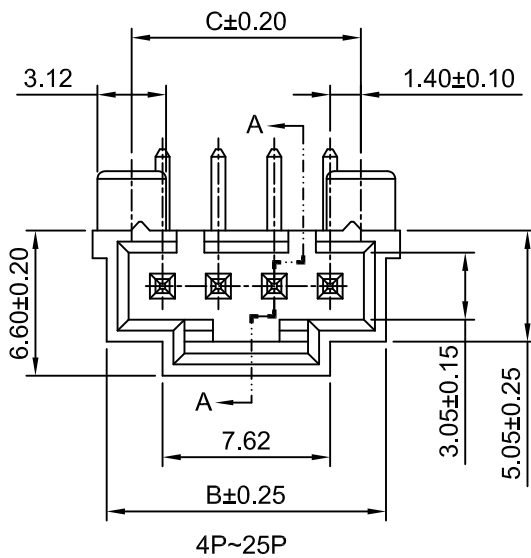
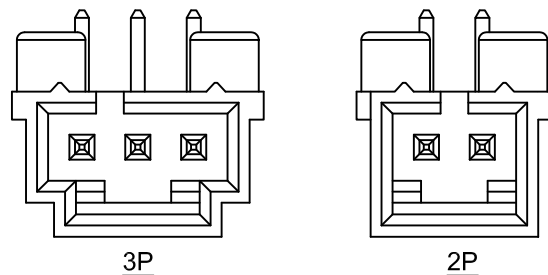
Circuits	Dimensions(mm)			Circuits	Dimensions(mm)		
	A	B	C		A	B	C
2P	2.54	8.43	6.60	18P	43.18	49.07	47.24
3P	5.08	10.97	9.14	19P	45.72	51.61	49.78
4P	7.62	13.51	11.68	20P	48.26	54.15	52.32
5P	10.16	16.05	14.22	21P	50.80	56.69	54.86
6P	12.70	18.59	16.76	22P	53.34	59.23	57.40
7P	15.24	21.13	19.30	23P	55.88	61.77	59.94
8P	17.78	23.67	21.84	24P	58.42	64.31	62.48
9P	20.32	26.21	24.38	25P	60.96	66.85	65.02
10P	22.86	28.75	26.92	26P	63.50	69.39	67.56
11P	25.40	31.29	29.46	27P	66.04	71.93	70.10
12P	27.94	33.83	32.00	28P	68.58	74.47	72.64
13P	30.48	36.37	34.54	29P	71.12	77.01	75.18
14P	33.02	38.91	37.08	30P	73.66	79.55	77.72
15P	35.56	41.45	39.62	31P	76.20	82.09	80.26
16P	38.10	43.99	42.16	32P	78.74	84.63	82.80
17P	40.64	46.53	44.70				



HDGC 深圳市华德共创科技有限公司
Shenzhen Huade co-create Technology Co.,LTD
TEL : 0755-27129737 FAX : 0755-29940187

-TOLERANCES- UNLESS OTHERWISE SPECIFIED 公差参数表						TITLE: 2.54mm Pitch 产品名称: 90° Wafer			
X.X	±0.30	X.X°	±3°	APPD: 核准:	XIE	PART NO: 产品编号: HDGC2547WRB-XP			
X.XX	±0.30	X.XX°	±2°	CHECK: 校对:	WANG	DATE	SCALE	UNIT	CODE NUMBER
X.XXX	±0.10	X.XXX°	±1°	DRAW: 绘图:	WANG	2017-09-12	2.5:1	mm	A008

修订 REV	标记 MARK	修改摘要 REVISION DESCRIPTION	签名 SIGNATURE	日期 DATE
AO		NEW RELEASE	WANG	2017-09-12



Ordering Information:

HDGC2547WR-F-XP - *** - ***
1 2 3

- Part No.
- Material:
(blank) - PBT,UL94V-0
9T - Nylon 9T,UL94V-0
- Finish:
(blank) - Gold over Nickel
T - Tin over Nickel

SPECIFICATIONS:

Current Rating: 3A AC,DC
Voltage Rating: 250V AC,DC
Temperature Range: -25°C ~ +85°C
Contact Resistance: 20mΩ Max
Insulation Resistance: 1000MΩ Min
Withstanding Voltage: 1500V AC/minute
Pin Material: Brass/Gold over Nickel
Material: PBT,UL94V-0(Black)

Ordering Information & Dimensions

Circuits	Dimensions(mm)			Circuits	Dimensions(mm)		
	A	B	C		A	B	C
2P	2.54	7.62	5.33	14P	33.02	38.10	35.81
3P	5.08	10.16	7.87	15P	35.56	40.64	38.35
4P	7.62	12.70	10.41	16P	38.10	43.18	40.89
5P	10.16	15.24	12.95	17P	40.64	45.72	43.43
6P	12.70	17.78	15.49	18P	43.18	48.26	45.97
7P	15.24	20.32	18.03	19P	45.72	50.80	48.51
8P	17.78	22.86	20.57	20P	48.26	53.34	51.05
9P	20.32	25.40	23.11	21P	50.80	55.88	53.59
10P	22.86	27.94	25.65	22P	53.34	58.42	56.13
11P	25.40	30.48	28.19	23P	55.88	60.96	58.67
12P	27.94	33.02	30.73	24P	58.42	63.50	61.21
13P	30.48	35.56	33.27	25P	60.96	66.04	63.75



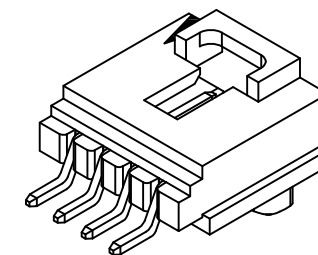
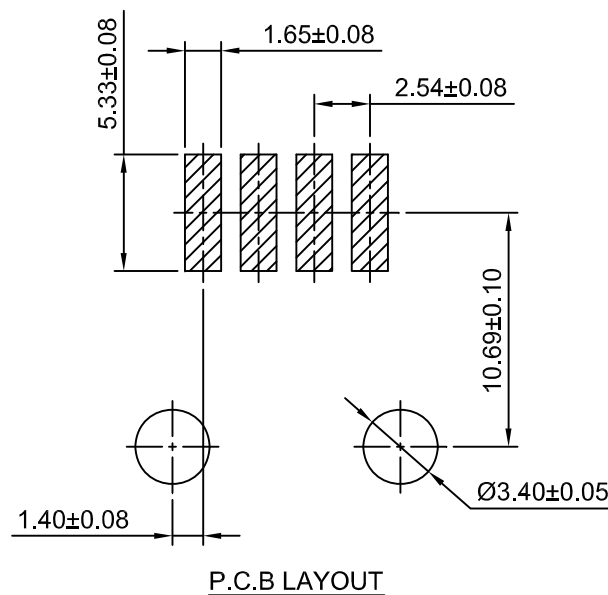
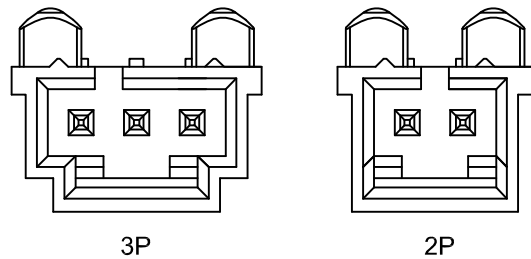
深圳市华德共创科技有限公司

Shenzhen Huade co-create Technology Co.,LTD

TEL : 0755-27129737 FAX : 0755-29940187

-TOLERANCES- UNLESS OTHERWISE SPECIFIED 公差参数表				TITLE: 产品名称: 2.54mm Pitch 90° Wafer	
X.X	±0.30	X.X°	±3°	APPD: 核准:	XIE
X.XX	±0.30	X.XX°	±2°	CHECK: 校对:	WANG
X.XXX	±0.10	X.XXX°	±1°	DRAW: 绘图:	WANG
PART NO: 产品编号:				HDGC2547WR-F-XP	
DATE		SCALE	UNIT	CODE NUMBER	
2017-09-12		3:1	mm	A008	

修订 REV	标记 MARK	修改摘要 REVISION DESCRIPTION	签名 SIGNATURE	日期 DATE
AO		NEW RELEASE	WANG	2017-09-12

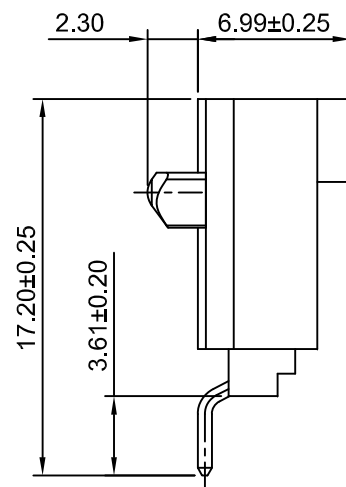
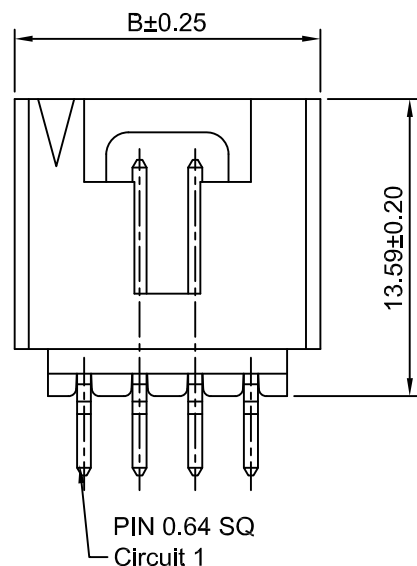
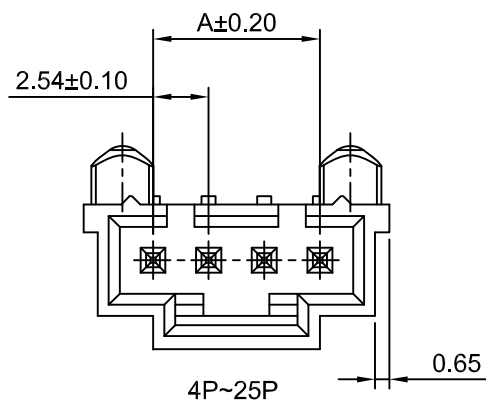


SPECIFICATIONS:

Current Rating: 3A AC,DC
Voltage Rating: 250V AC,DC
Temperature Range: -25°C ~ +85°C
Contact Resistance: 20mΩ Max
Insulation Resistance: 1000MΩ Min
Withstanding Voltage: 1500V AC/minute
Pin Material: Brass/Gold over Nickel
Material: PBT,UL94V-0(Black)

Ordering Information & Dimensions

Circuits	Dimensions(mm)		Circuits	Dimensions(mm)	
	A	B		A	B
2P	2.54	8.89	14P	33.02	39.37
3P	5.08	11.43	15P	35.56	41.91
4P	7.62	13.97	16P	38.10	44.45
5P	10.16	16.51	17P	40.64	46.99
6P	12.70	19.05	18P	43.18	49.53
7P	15.24	21.59	19P	45.72	52.07
8P	17.78	24.13	20P	48.26	54.61
9P	20.32	26.67	21P	50.80	57.15
10P	22.86	29.21	22P	53.34	59.69
11P	25.40	31.75	23P	55.88	62.23
12P	27.94	34.29	24P	58.42	64.77
13P	30.48	36.83	25P	60.96	67.31



HDGC 深圳市华德共创科技有限公司
Shenzhen Huade co-create Technology Co.,LTD
TEL : 0755-27129737 FAX : 0755-29940187

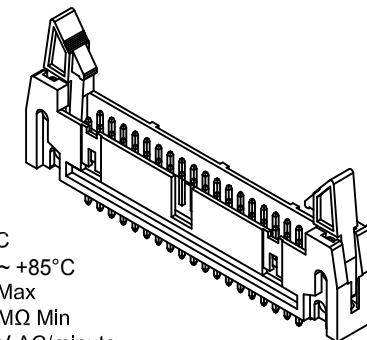
-TOLERANCES- UNLESS OTHERWISE SPECIFIED 公差参数表						TITLE: 2.54mm Pitch 产品名称: 90° Wafer			
X.X	±0.30	X.X°	±3°	APPD: 核准:	XIE	PART NO: 产品编号: HDGC2547WR-S-F-XP			
X.XX	±0.30	X.XX°	±2°	CHECK: 校对:	WANG	DATE	SCALE	UNIT	CODE NUMBER
X.XXX	±0.10	X.XXX°	±1°	DRAW: 绘图:	WANG	2017-09-12	3:1	mm	A008

修订 REV	标记 MARK	修改摘要 REVISION DESCRIPTION	签名 SIGNATURE	日期 DATE
AO		NEW RELEASE	WANG	2017-09-12

Ordering Information:

HDGC2547WV-2xXP - ** - ** - *
1 2 3 4

- Part No.
- Color:
(blank) - Black
GY - Gray
- Finish:
(blank) - Gold over Nickel(1"U)
G15 - Gold over Nickel(15"U)
G30 - Gold over Nickel(30"U)
- Size (L) :
(blank) : 14.35mm
L : 10.50mm

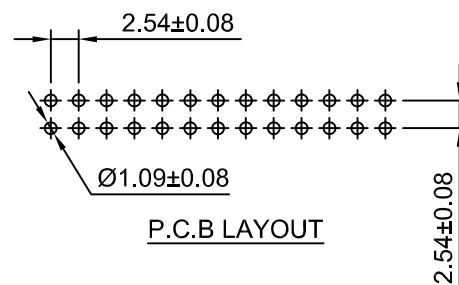
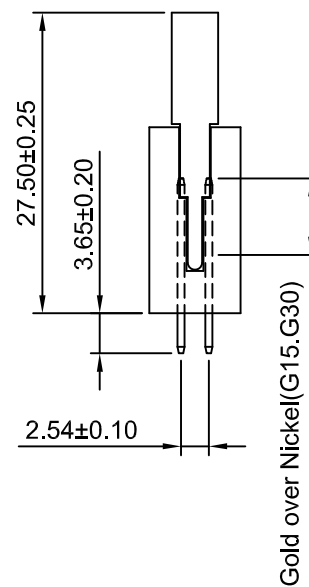
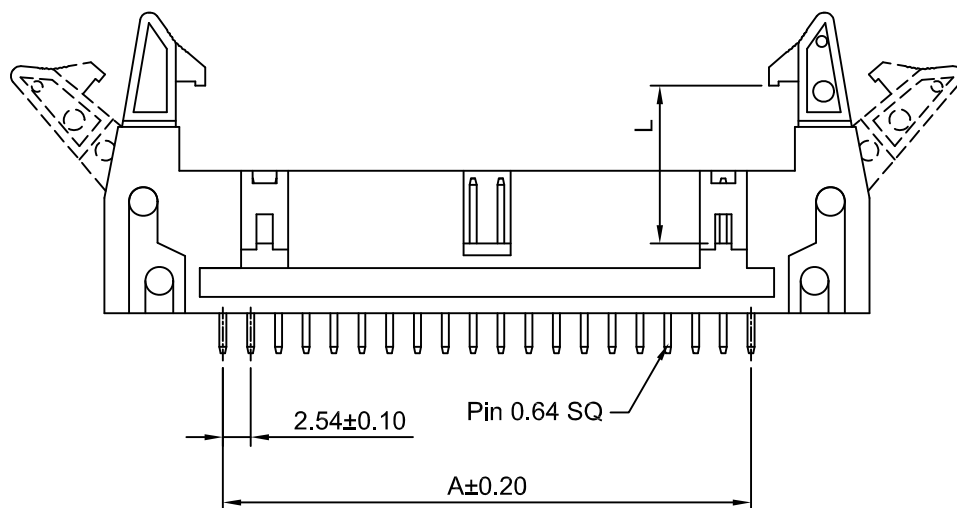
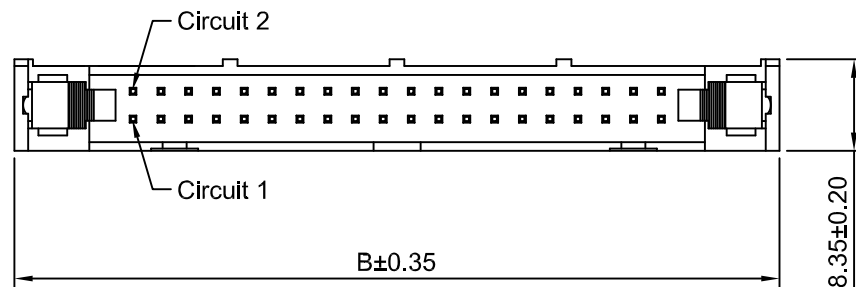


SPECIFICATIONS:

Current Rating: 3A AC,DC
Voltage Rating: 250V AC,DC
Temperature Range: -25°C ~ +85°C
Contact Resistance: 20mΩ Max
Insulation Resistance: 1000MΩ Min
Withstanding Voltage: 1500V AC/minute
Pin Material: Brass/Gold over Nickel
Material: PBT,UL94V-0(Black)

Ordering Information & Dimensions

Circuits	Dimensions(mm)		Circuits	Dimensions(mm)	
	A	B		A	B
2x5P	10.16	32.00	2x19P	45.72	67.56
2x6P	12.70	34.54	2x20P	48.26	70.10
2x7P	15.24	37.08	2x21P	50.80	72.64
2x8P	17.78	39.62	2x22P	53.34	75.18
2x9P	20.32	42.16	2x23P	55.88	77.72
2x10P	22.86	44.70	2x24P	58.42	80.26
2x11P	25.40	47.24	2x25P	60.96	82.80
2x12P	27.94	49.78	2x26P	63.50	85.34
2x13P	30.48	52.32	2x27P	66.04	87.88
2x14P	33.02	54.86	2x28P	68.58	90.42
2x15P	35.56	57.40	2x29P	71.12	92.96
2x16P	38.10	59.94	2x30P	73.66	95.50
2x17P	40.64	62.48	2x31P	76.20	98.04
2x18P	43.18	65.02	2x32P	78.74	100.58



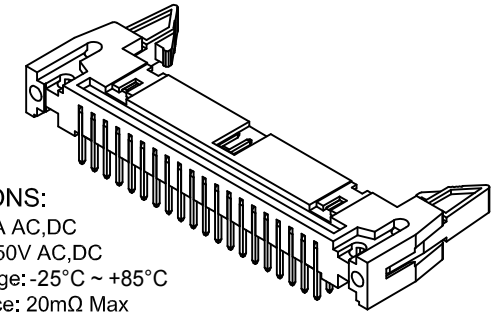
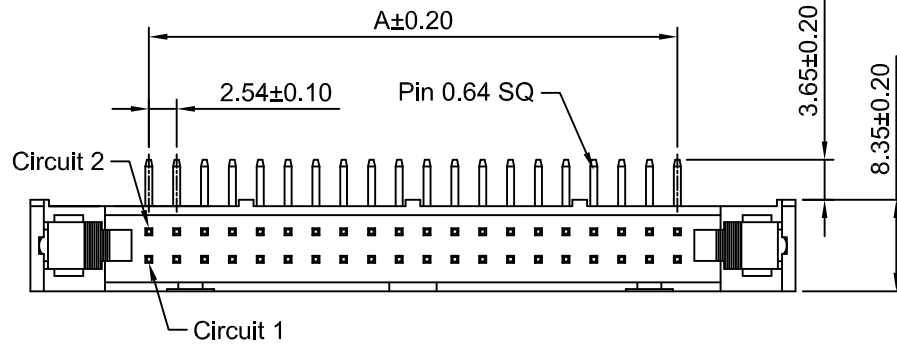
深圳市华德共创科技有限公司

Shenzhen Huade co-create Technology Co.,LTD

TEL : 0755-27129737 FAX : 0755-29940187

-TOLERANCES- UNLESS OTHERWISE SPECIFIED 公差参数表						TITLE: 2.54mm Pitch 产品名称: 180° Box Header			
X.X	±0.30	X.X°	±3°	APPD: 核准:	XIE	PART NO: 产品编号: HDGC2547WV-2xXP			
X.XX	±0.30	X.XX°	±2°	CHECK: 校对:	WANG	DATE	SCALE	UNIT	CODE NUMBER
X.XXX	±0.10	X.XXX°	±1°	DRAW: 绘图:	WANG	2017-09-12	1.5:1	mm	A008

修订 REV	标记 MARK	修改摘要 REVISION DESCRIPTION	签名 SIGNATURE	日期 DATE
AO		NEW RELEASE	WANG	2017-09-12

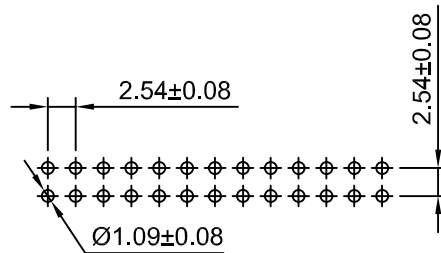
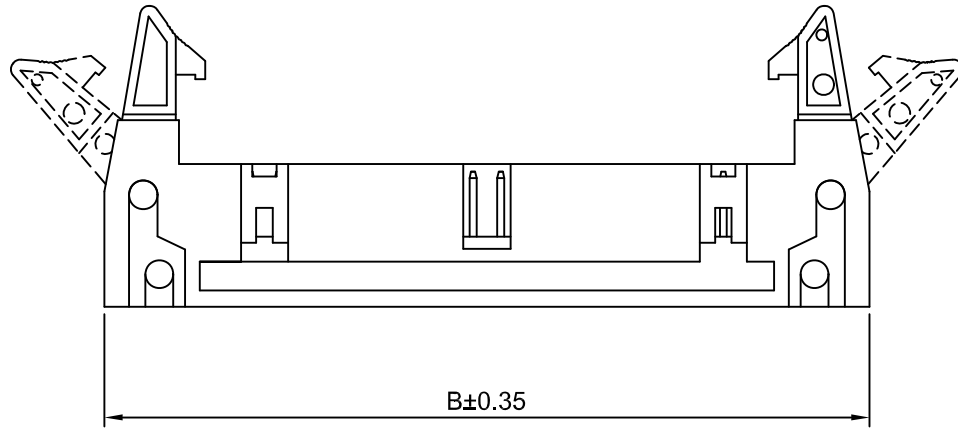


SPECIFICATIONS:

Current Rating: 3A AC,DC
Voltage Rating: 250V AC,DC
Temperature Range: -25°C ~ +85°C
Contact Resistance: 20mΩ Max
Insulation Resistance: 1000MΩ Min
Withstanding Voltage: 1500V AC/minute
Pin Material: Brass/Gold over Nickel
Material: PBT,UL94V-0(Black)

Ordering Information & Dimensions

Circuits	Dimensions(mm)		Circuits	Dimensions(mm)	
	A	B		A	B
2x5P	10.16	32.00	2x19P	45.72	67.56
2x6P	12.70	34.54	2x20P	48.26	70.10
2x7P	15.24	37.08	2x21P	50.80	72.64
2x8P	17.78	39.62	2x22P	53.34	75.18
2x9P	20.32	42.16	2x23P	55.88	77.72
2x10P	22.86	44.70	2x24P	58.42	80.26
2x11P	25.40	47.24	2x25P	60.96	82.80
2x12P	27.94	49.78	2x26P	63.50	85.34
2x13P	30.48	52.32	2x27P	66.04	87.88
2x14P	33.02	54.86	2x28P	68.58	90.42
2x15P	35.56	57.40	2x29P	71.12	92.96
2x16P	38.10	59.94	2x30P	73.66	95.50
2x17P	40.64	62.48	2x31P	76.20	98.04
2x18P	43.18	65.02	2x32P	78.74	100.58



P.C.B LAYOUT

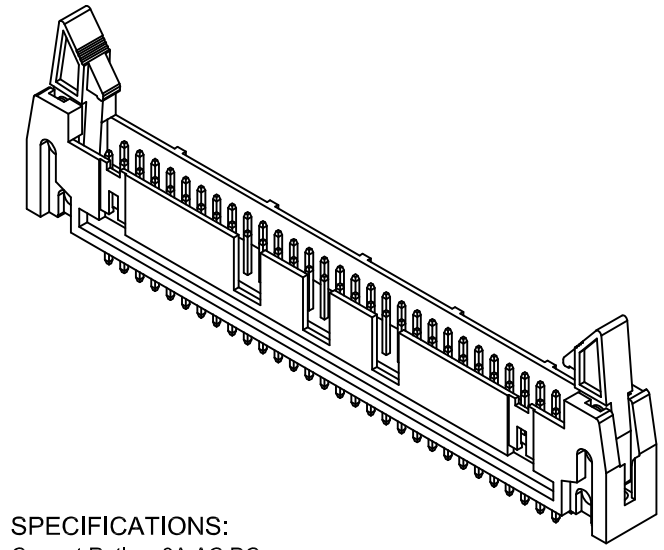
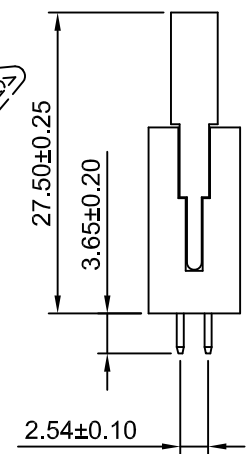
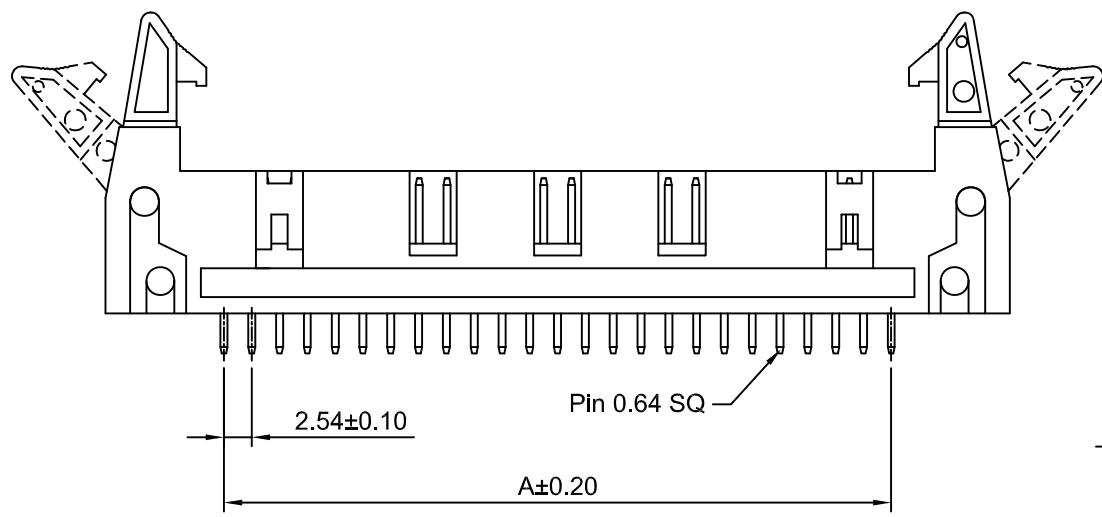
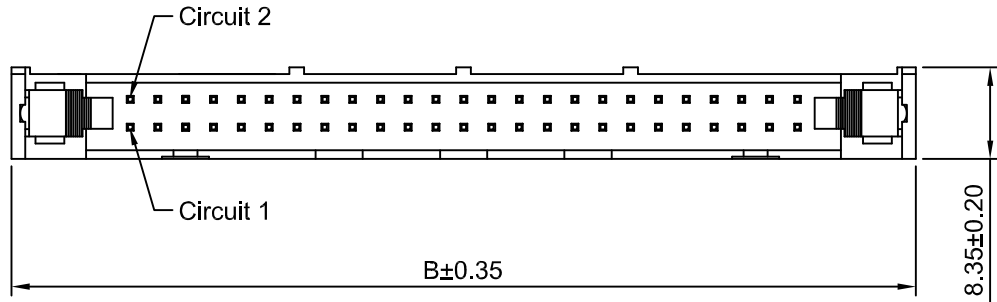


深圳市华德共创科技有限公司

Shenzhen Huade co-create Technology Co.,LTD
TEL : 0755-27129737 FAX : 0755-29940187

-TOLERANCES- UNLESS OTHERWISE SPECIFIED 公差参数表				TITLE: 产品名称: 2.54mm Pitch 90° Box Header	
X.X	±0.30	X.X°	±3°	APPD: 核准:	XIE
X.XX	±0.30	X.XX°	±2°	CHECK: 校对:	WANG
X.XXX	±0.10	X.XXX°	±1°	DRAW: 绘图:	WANG
PART NO: 产品编号:		HDGC2547WR-2xXP			
DATE	SCALE	UNIT	CODE NUMBER		
2017-09-12	1.5:1	mm	A008		

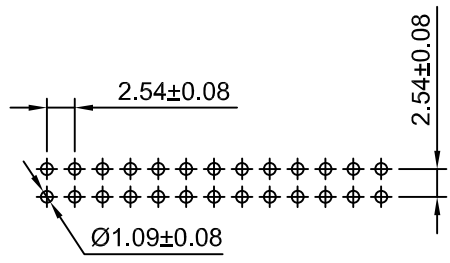
修订 REV	标记 MARK	修改摘要 REVISION DESCRIPTION	签名 SIGNATURE	日期 DATE
AO		NEW RELEASE	WANG	2017-09-12



SPECIFICATIONS:
 Current Rating: 3A AC,DC
 Voltage Rating: 250V AC,DC
 Temperature Range: -25°C ~ +85°C
 Contact Resistance: 20mΩ Max
 Insulation Resistance: 1000MΩ Min
 Withstanding Voltage: 1500V AC/minute
 Pin Material: Brass/Gold over Nickel
 Material: PBT,UL94V-0(Black)

Ordering Information & Dimensions

Circuits	Dimensions(mm)		Circuits	Dimensions(mm)	
	A	B		A	B
2x25P	60.96	82.80	2x32P	78.74	100.58
2x30P	73.66	95.50			

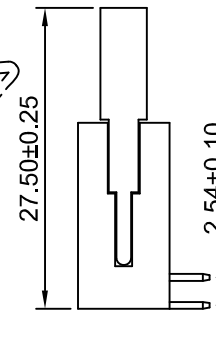
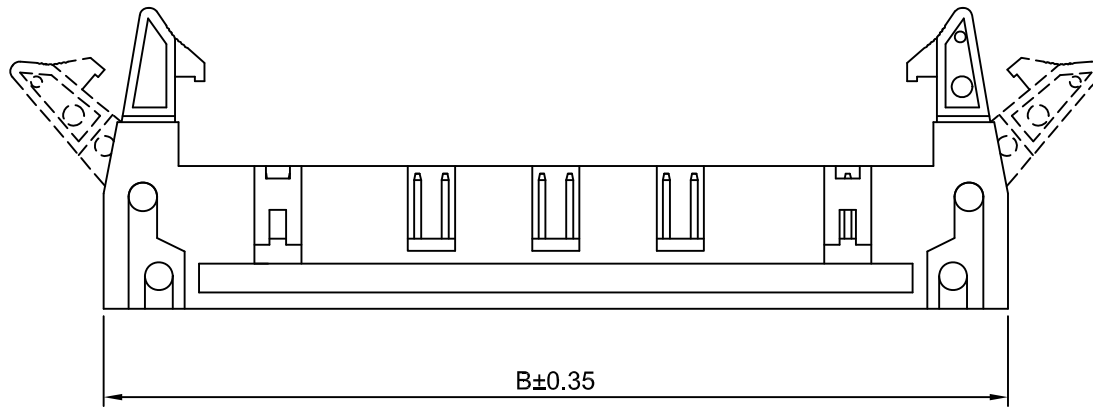
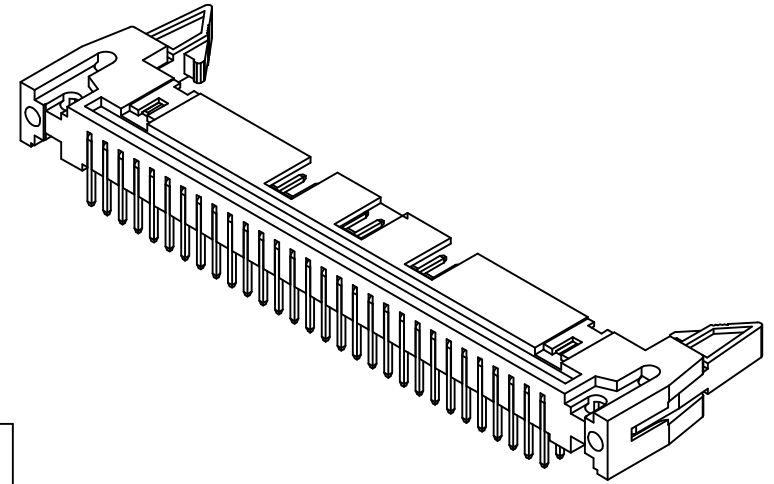
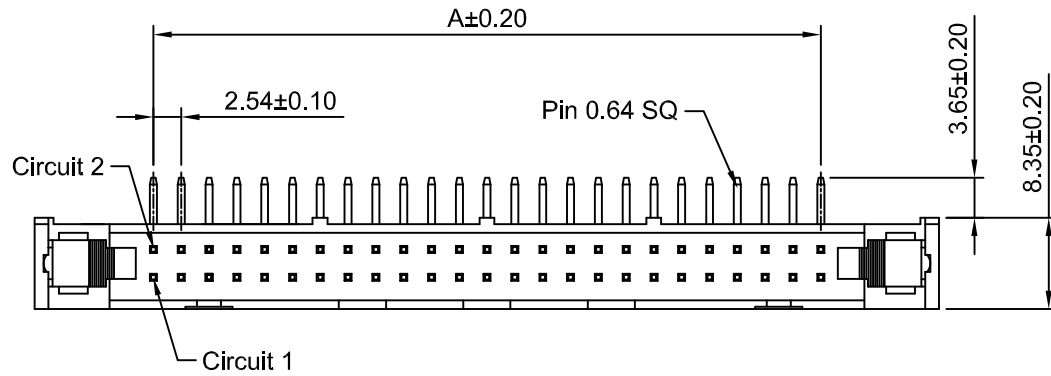


P.C.B LAYOUT

深圳市华德共创科技有限公司
 Shenzhen Huade co-create Technology Co.,LTD
 TEL : 0755-27129737 FAX : 0755-29940187

-TOLERANCES- UNLESS OTHERWISE SPECIFIED 公差参数表				TITLE: 2.54mm Pitch 产品名称: 180° Box Header							
X.X	±0.30	X.X°	±3°	APPD: 核准:	XIE			PART NO: 产品编号:	HDGC2547WVA-2xXP		
X.XX	±0.30	X.XX°	±2°	CHECK: 校对:	WANG			DATE	SCALE	UNIT	CODE NUMBER
X.XXX	±0.10	X.XXX°	±1°	DRAW: 绘图:	WANG			2017-09-12	1.5:1	mm	A008

修订 REV	标记 MARK	修改摘要 REVISION DESCRIPTION	签名 SIGNATURE	日期 DATE
AO		NEW RELEASE	WANG	2017-09-12

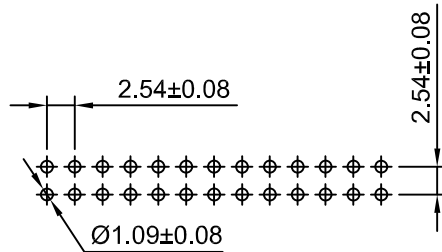


SPECIFICATIONS:

Current Rating: 3A AC,DC
Voltage Rating: 250V AC,DC
Temperature Range: -25°C ~ +85°C
Contact Resistance: 20mΩ Max
Insulation Resistance: 1000MΩ Min
Withstanding Voltage: 1500V AC/minute
Pin Material: Brass/Gold over Nickel
Material: PBT,UL94V-0(Black)

Ordering Information & Dimensions

Circuits	Dimensions(mm)		Circuits	Dimensions(mm)	
	A	B		A	B
2x25P	60.96	82.80	2x32P	78.74	100.58
2x30P	73.66	95.50			



P.C.B LAYOUT



深圳市华德共创科技有限公司

Shenzhen Huade co-create Technology Co.,LTD

TEL : 0755-27129737 FAX : 0755-29940187

-TOLERANCES- UNLESS OTHERWISE SPECIFIED 公差参数表						TITLE: 产品名称: 2.54mm Pitch 90° Box Header			
X.X	±0.30	X.X°	±3°	APPD: 核准:	XIE	PART NO: 产品编号: HDGC2547WRA-2xXP			
X.XX	±0.30	X.XX°	±2°	CHECK: 校对:	WANG	DATE	SCALE	UNIT	CODE NUMBER
X.XXX	±0.10	X.XXX°	±1°	DRAW: 绘图:	WANG	2017-09-12	1.5:1	mm	A008

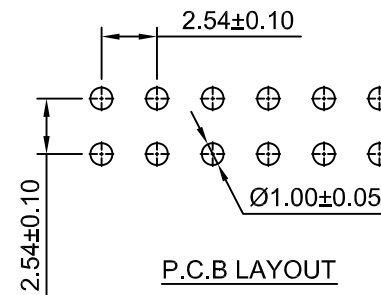
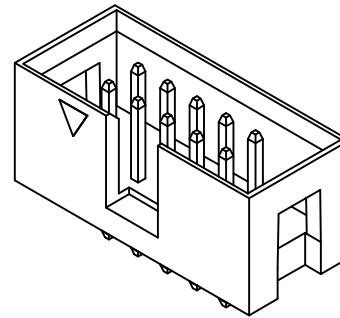
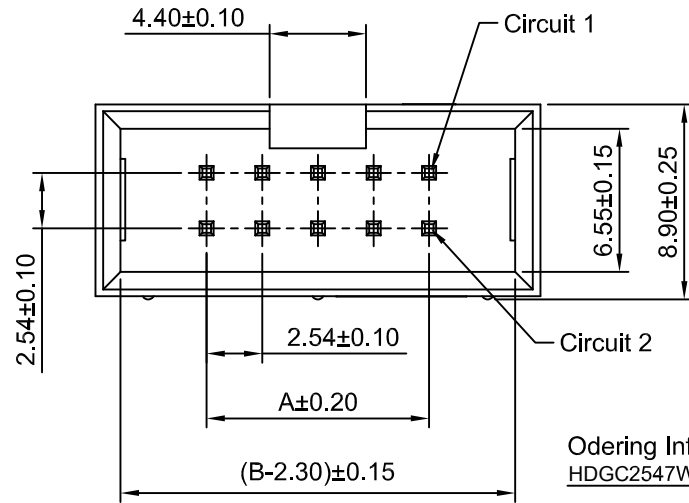
修订 REV	标记 MARK	修改摘要 REVISION DESCRIPTION	签名 SIGNATURE	日期 DATE
AO		NEW RELEASE	WANG	2017-09-12

SPECIFICATIONS:

Current Rating: 3A AC,DC
Voltage Rating: 250V AC,DC
Temperature Range: -25°C ~ +85°C
Contact Resistance: 20mΩ Max
Insulation Resistance: 1000MΩ Min
Withstanding Voltage: 1500V AC/minute
Pin Material: Brass/Gold over Nickel
Material: PBT,UL94V-0(Black)

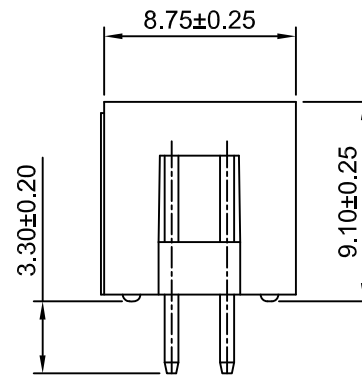
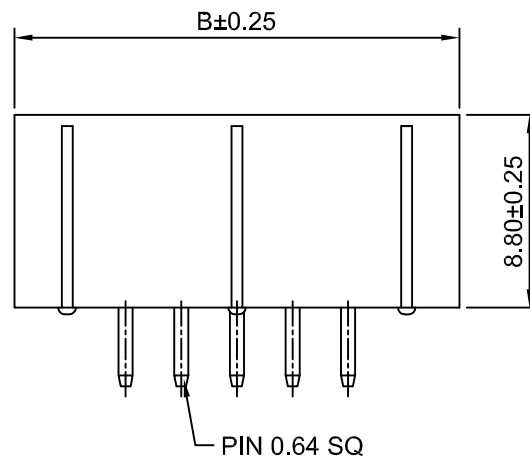
Ordering Information & Dimensions

Circuits	Dimensions(mm)		Circuits	Dimensions(mm)	
	A	B		A	B
2x3P	5.08	15.24	2x22P	53.34	63.50
2x4P	7.62	17.78	2x23P	55.88	66.04
2x5P	10.16	20.32	2x24P	58.42	68.58
2x6P	12.70	22.86	2x25P	60.96	71.12
2x7P	15.24	25.40	2x26P	63.50	73.66
2x8P	17.78	27.94	2x27P	66.04	76.20
2x9P	20.32	30.48	2x28P	68.58	78.74
2x10P	22.86	33.02	2x29P	71.12	81.28
2x11P	25.40	35.56	2x30P	73.66	83.82
2x12P	27.94	38.10	2x31P	76.20	86.36
2x13P	30.48	40.64	2x32P	78.74	88.90
2x14P	33.02	43.18	2x33P	81.28	91.44
2x15P	35.56	45.72	2x34P	83.82	93.98
2x16P	38.10	48.26	2x35P	86.36	96.52
2x17P	40.64	50.80	2x36P	88.90	99.06
2x18P	43.18	53.34	2x37P	91.44	101.60
2x19P	45.72	55.88	2x38P	93.98	104.14
2x20P	48.26	58.42	2x39P	96.52	106.68
2x21P	50.80	60.96	2x40P	99.06	109.22



Ordering Information:
HDGC2547WV-N-2xXP - ***

- Part No.
- Finish:
(blank):Gold over Nickel(Au:1u")
G3:Gold over Nickel(Au:3u")
G15:Gold over Nickel(Au:15u")
G30:Gold over Nickel(Au:30u")



深圳市华德共创科技有限公司

Shenzhen Huade co-create Technology Co.,LTD
TEL : 0755-27129737 FAX : 0755-29940187

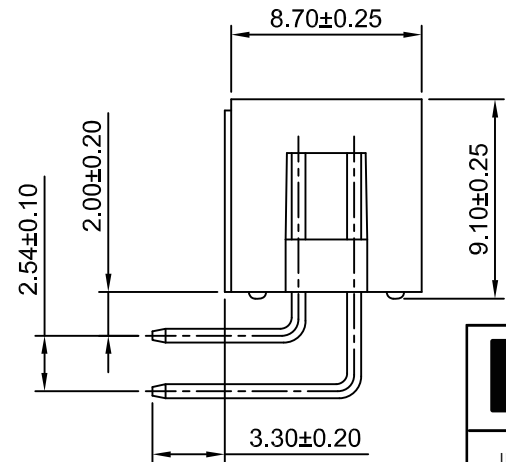
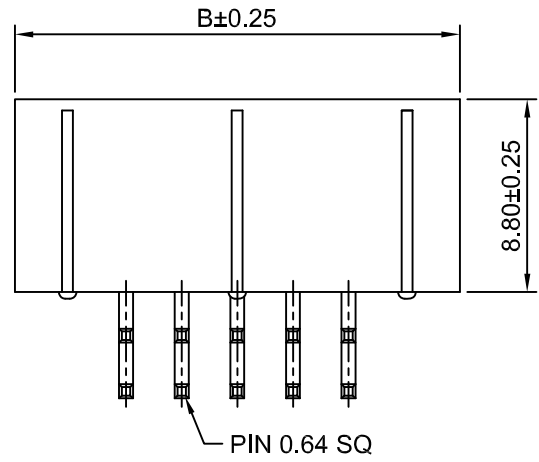
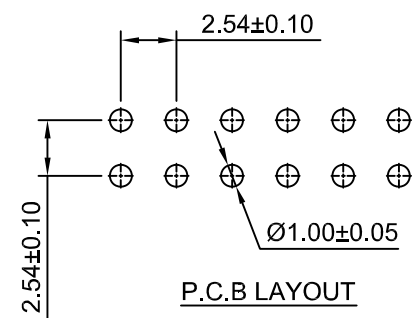
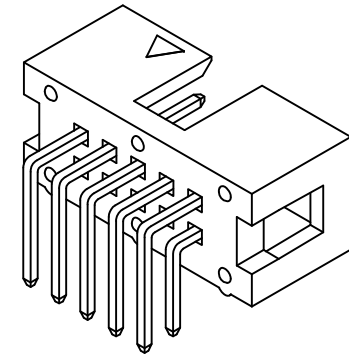
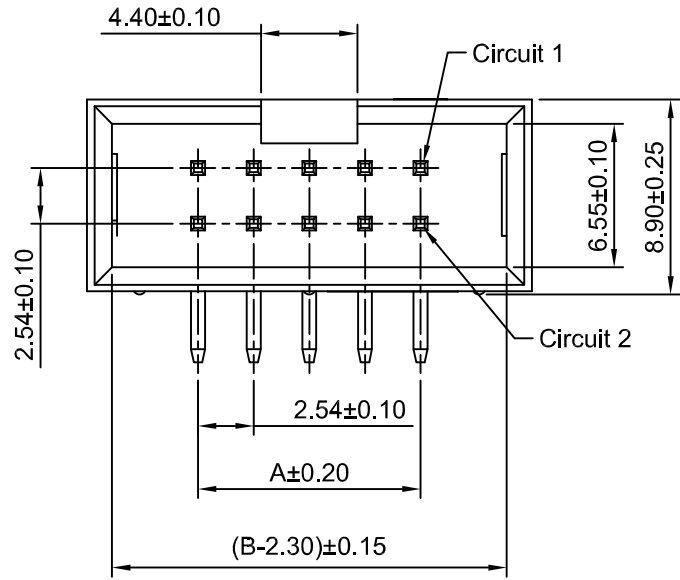
-TOLERANCES- UNLESS OTHERWISE SPECIFIED 公差参数表						TITLE: 2.54mm Pitch 产品名称: 180° Box Header			
X.X	±0.30	X.X°	±3°	APPD: 核准:	XIE	PART NO: 产品编号: HDGC2547WV-N-2xXP			
X.XX	±0.30	X.XX°	±2°	CHECK: 校对:	WANG	DATE	SCALE	UNIT	CODE NUMBER
X.XXX	±0.10	X.XXX°	±1°	DRAW: 绘图:	WANG	2017-09-12	3:1	mm	A008

修订 REV	标记 MARK	修改摘要 REVISION DESCRIPTION	签名 SIGNATURE	日期 DATE
AO		NEW RELEASE	WANG	2017-09-12

SPECIFICATIONS:

Current Rating: 3A AC,DC
Voltage Rating: 250V AC,DC
Temperature Range: -25°C ~ +85°C
Contact Resistance: 20mΩ Max
Insulation Resistance: 1000MΩ Min
Withstanding Voltage: 1500V AC/minute
Pin Material: Brass/Gold over Nickel
Material: PBT,UL94V-0(Black)
Ordering Information & Dimensions

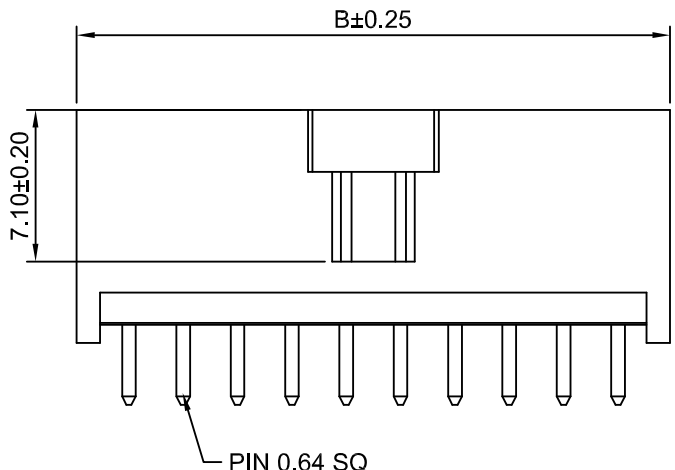
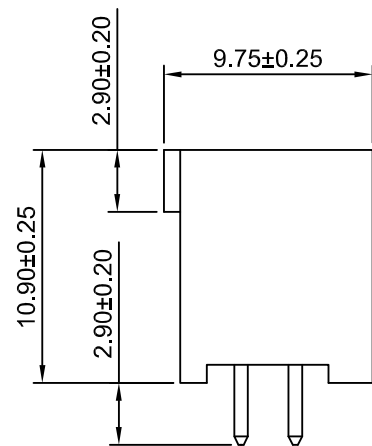
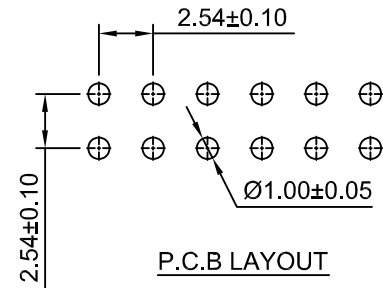
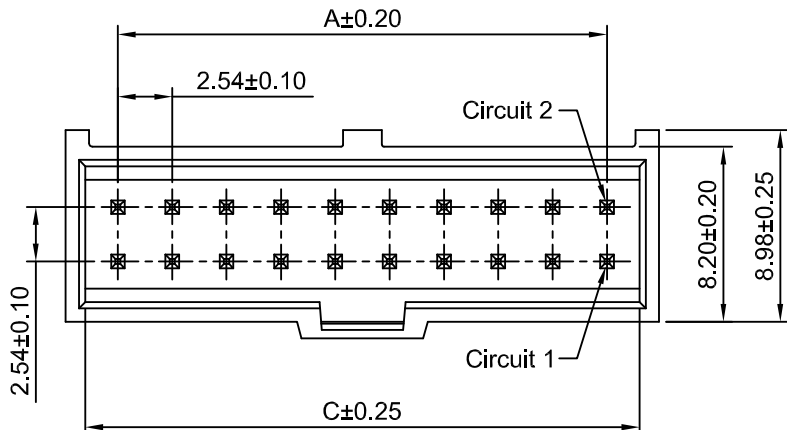
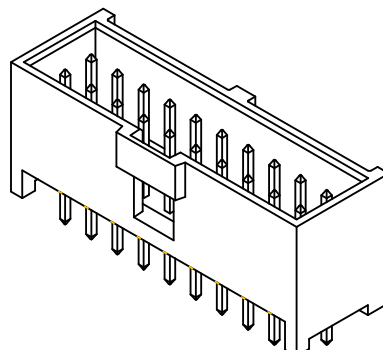
Circuits	Dimensions(mm)		Circuits	Dimensions(mm)	
	A	B		A	B
2x2P	2.54	12.70	2x22P	53.34	63.50
2x3P	5.08	15.24	2x23P	55.88	66.04
2x4P	7.62	17.78	2x24P	58.42	68.58
2x5P	10.16	20.32	2x25P	60.96	71.12
2x6P	12.70	22.86	2x26P	63.50	73.66
2x7P	15.24	25.40	2x27P	66.04	76.20
2x8P	17.78	27.94	2x28P	68.58	78.74
2x9P	20.32	30.48	2x29P	71.12	81.28
2x10P	22.86	33.02	2x30P	73.66	83.82
2x11P	25.40	35.56	2x31P	76.20	86.36
2x12P	27.94	38.10	2x32P	78.74	88.90
2x13P	30.48	40.64	2x33P	81.28	91.44
2x14P	33.02	43.18	2x34P	83.82	93.98
2x15P	35.56	45.72	2x35P	86.36	96.52
2x16P	38.10	48.26	2x36P	88.90	99.06
2x17P	40.64	50.80	2x37P	91.44	101.60
2x18P	43.18	53.34	2x38P	93.98	104.14
2x19P	45.72	55.88	2x39P	96.52	106.68
2x20P	48.26	58.42	2x40P	99.06	109.22
2x21P	50.80	60.96			



HDGC 深圳市华德共创科技有限公司
Shenzhen Huade co-create Technology Co.,LTD
TEL : 0755-27129737 FAX : 0755-29940187

-TOLERANCES- UNLESS OTHERWISE SPECIFIED 公差参数表					TITLE: 2.54mm Pitch 产品名称: 90° Box Header				
X.X	±0.30	X.X°	±3°	APPD: 核准:	XIE	PART NO: 产品编号: HDGC2547WR-N-2xXP			
X.XX	±0.30	X.XX°	±2°	CHECK: 校对:	WANG	DATE	SCALE	UNIT	CODE NUMBER
X.XXX	±0.10	X.XXX°	±1°	DRAW: 绘图:	WANG	2017-09-12	3:1	mm	A008

修订 REV	标记 MARK	修改摘要 REVISION DESCRIPTION	签名 SIGNATURE	日期 DATE
AO		NEW RELEASE	WANG	2017-09-12



SPECIFICATIONS:

Current Rating: 3A AC,DC
Voltage Rating: 250V AC,DC
Temperature Range: -25°C ~ +85°C
Contact Resistance: 20mΩ Max
Insulation Resistance: 1000MΩ Min
Withstanding Voltage: 1500V AC/minute
Pin Material: Brass/Gold over Nickel
Material: PBT,UL94V-0(Black)

Ordering Information & Dimensions

Circuits	Dimensions(mm)			Circuits	Dimensions(mm)		
	A	B	C		A	B	C
2x3P	5.08	9.96	8.12	2x18P	43.18	48.06	46.22
2x4P	7.62	12.50	10.66	2x19P	45.72	50.60	48.76
2x5P	10.16	15.04	13.20	2x20P	48.26	53.14	51.30
2x6P	12.70	17.58	15.74	2x21P	50.80	55.68	53.84
2x7P	15.24	20.12	18.28	2x22P	53.34	58.22	56.38
2x8P	17.78	22.66	20.82	2x23P	55.88	60.76	58.92
2x9P	20.32	25.20	23.36	2x24P	58.42	63.30	61.46
2x10P	22.86	27.74	25.90	2x25P	60.96	65.84	64.00
2x11P	25.40	30.28	28.44	2x26P	63.50	68.38	66.54
2x12P	27.94	32.82	30.98	2x27P	66.04	70.92	69.08
2x13P	30.48	35.36	33.52	2x28P	68.58	73.46	71.62
2x14P	33.02	37.90	36.06	2x29P	71.12	76.00	74.16
2x15P	35.56	40.44	38.60	2x30P	73.66	78.54	76.70
2x16P	38.10	42.98	41.14	2x31P	76.20	81.08	79.24
2x17P	40.64	45.52	43.68	2x32P	78.74	83.62	81.78

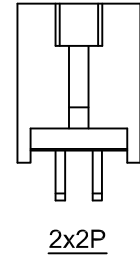
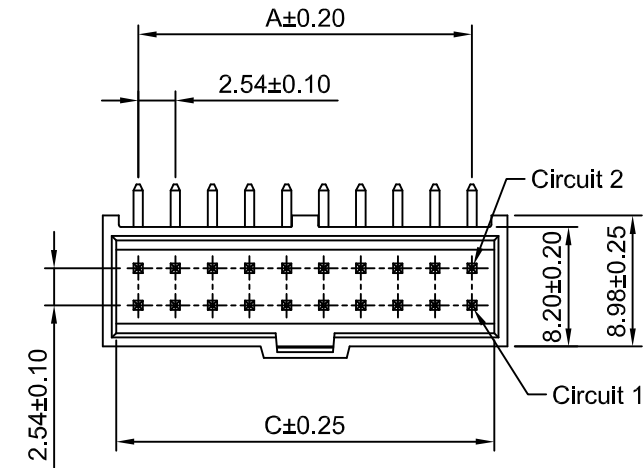


深圳市华德共创科技有限公司

Shenzhen Huade co-create Technology Co.,LTD
TEL : 0755-27129737 FAX : 0755-29940187

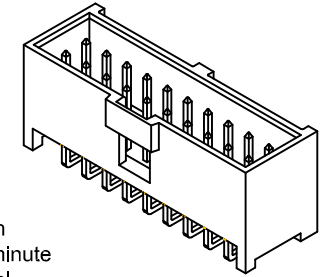
-TOLERANCES- UNLESS OTHERWISE SPECIFIED 公差参数表						TITLE: 2.54mm Pitch 产品名称: 180° Box Header			
X.X	±0.30	X.X°	±3°	APPD: 核准:	XIE	PART NO: 产品编号: HDGC2547WVB-2xXP			
X.XX	±0.30	X.XX°	±2°	CHECK: 校对:	WANG	DATE	SCALE	UNIT	CODE NUMBER
X.XXX	±0.10	X.XXX°	±1°	DRAW: 绘图:	WANG	2017-09-12	3:1	mm	A008

修订 REV	标记 MARK	修改摘要 REVISION DESCRIPTION	签名 SIGNATURE	日期 DATE
AO		NEW RELEASE	WANG	2017-09-12



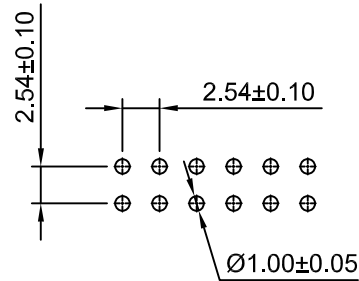
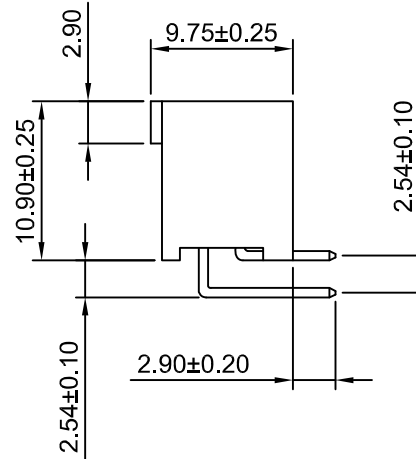
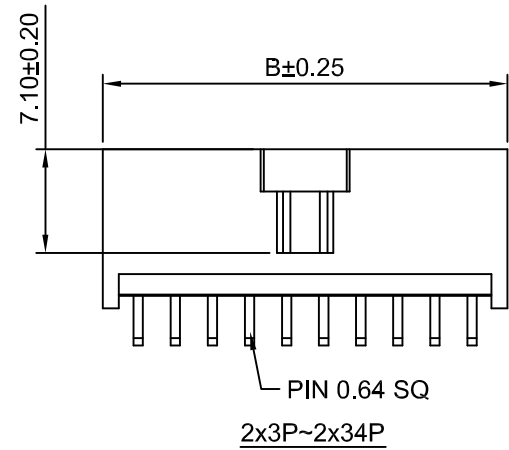
SPECIFICATIONS:

Current Rating: 3A AC,DC
Voltage Rating: 250V AC,DC
Temperature Range: -25°C ~ +85°C
Contact Resistance: 20mΩ Max
Insulation Resistance: 1000MΩ Min
Withstanding Voltage: 1500V AC/minute
Pin Material: Brass/Gold over Nickel
Material: PBT,UL94V-0(Black)



Ordering Information & Dimensions

Circuits	Dimensions(mm)			Circuits	Dimensions(mm)		
	A	B	C		A	B	C
2x2P	2.54	7.42	5.58	2x18P	43.18	48.06	46.22
2x3P	5.08	9.96	8.12	2x19P	45.72	50.60	48.76
2x4P	7.62	12.50	10.66	2x20P	48.26	53.14	51.30
2x5P	10.16	15.04	13.20	2x21P	50.80	55.68	53.84
2x6P	12.70	17.58	15.74	2x22P	53.34	58.22	56.38
2x7P	15.24	20.12	18.28	2x23P	55.88	60.76	58.92
2x8P	17.78	22.66	20.82	2x24P	58.42	63.30	61.46
2x9P	20.32	25.20	23.36	2x25P	60.96	65.84	64.00
2x10P	22.86	27.74	25.90	2x26P	63.50	68.38	66.54
2x11P	25.40	30.28	28.44	2x27P	66.04	70.92	69.08
2x12P	27.94	32.82	30.98	2x28P	68.58	73.46	71.62
2x13P	30.48	35.36	33.52	2x29P	71.12	76.00	74.16
2x14P	33.02	37.90	36.06	2x30P	73.66	78.54	76.70
2x15P	35.56	40.44	38.60	2x31P	76.20	81.08	79.24
2x16P	38.10	42.98	41.14	2x32P	78.74	83.62	81.78
2x17P	40.64	45.52	43.68	2x34P	81.28	88.70	86.86

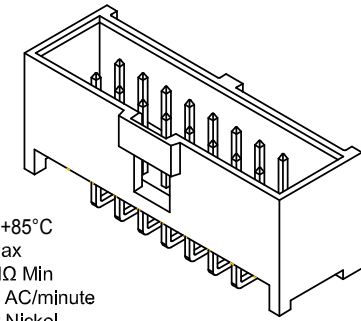
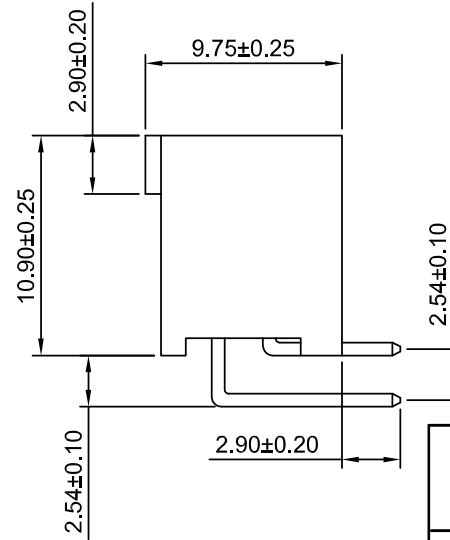
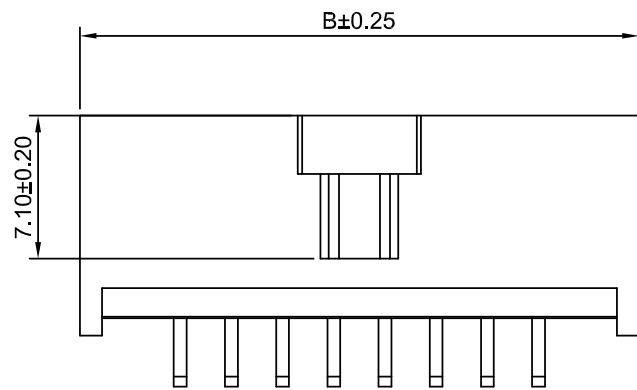
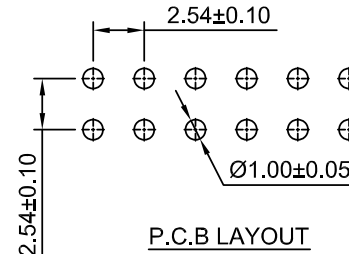
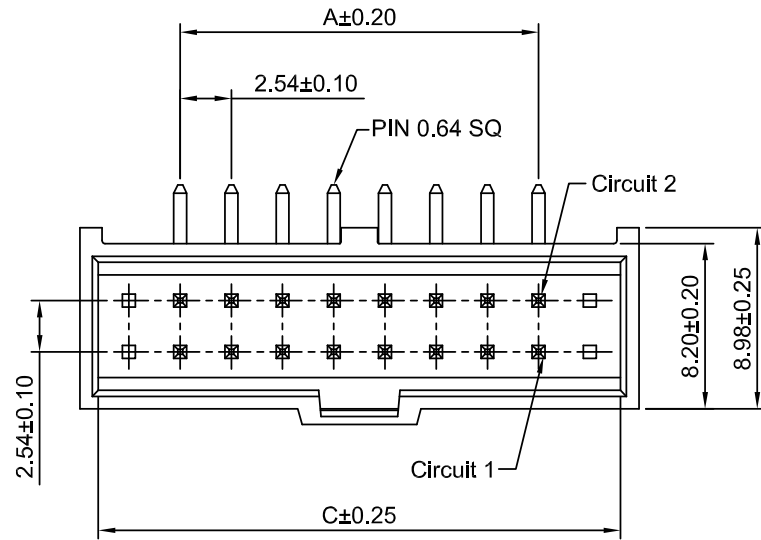


P.C.B LAYOUT

深圳市华德共创科技有限公司
Shenzhen Huade co-create Technology Co.,LTD
TEL : 0755-27129737 FAX : 0755-29940187

-TOLERANCES- UNLESS OTHERWISE SPECIFIED 公差参数表				TITLE: 2.54mm Pitch 产品名称: 90° Box Header							
X.X	±0.30	X.X°	±3°	APPD: 核准:	XIE			PART NO: 产品编号:	HDGC2547WRB-2xXP		
X.XX	±0.30	X.XX°	±2°	CHECK: 校对:	WANG			DATE	SCALE	UNIT	CODE NUMBER
X.XXX	±0.10	X.XXX°	±1°	DRAW: 绘图:	WANG			2017-09-12	2:1	mm	A008

修订 REV	标记 MARK	修改摘要 REVISION DESCRIPTION	签名 SIGNATURE	日期 DATE
AO		NEW RELEASE	WANG	2017-09-12



SPECIFICATIONS:

Current Rating: 3A AC,DC
Voltage Rating: 250V AC,DC
Temperature Range: -25°C ~ +85°C
Contact Resistance: 20mΩ Max
Insulation Resistance: 1000MΩ Min
Withstanding Voltage: 1500V AC/minute
Pin Material: Brass/Gold over Nickel
Material: PBT,UL94V-0(Black)

Ordering Information & Dimensions

Circuits	Dimensions(mm)			Circuits	Dimensions(mm)		
	A	B	C		A	B	C
2x1P	---	9.96	8.12	2x16P	38.10	48.06	46.22
2x2P	2.54	12.50	10.66	2x17P	40.64	50.60	48.76
2x3P	5.08	15.04	13.20	2x18P	43.18	53.14	51.30
2x4P	7.62	17.58	15.74	2x19P	45.72	55.68	53.84
2x5P	10.16	20.12	18.28	2x20P	48.26	58.22	56.38
2x6P	12.70	22.66	20.82	2x21P	50.80	60.76	58.92
2x7P	15.24	25.20	23.36	2x22P	53.34	63.30	61.46
2x8P	17.78	27.74	25.90	2x23P	55.88	65.84	64.00
2x9P	20.32	30.28	28.44	2x24P	58.42	68.38	66.54
2x10P	22.86	32.82	30.98	2x25P	60.96	70.92	69.08
2x11P	25.40	35.36	33.52	2x26P	63.50	73.46	71.62
2x12P	27.94	37.09	36.06	2x27P	66.04	76.00	74.16
2x13P	30.48	40.44	38.60	2x28P	68.58	78.54	76.70
2x14P	33.02	42.98	41.14	2x29P	71.12	81.08	79.24
2x15P	35.56	45.52	43.68	2x30P	73.66	83.62	81.78



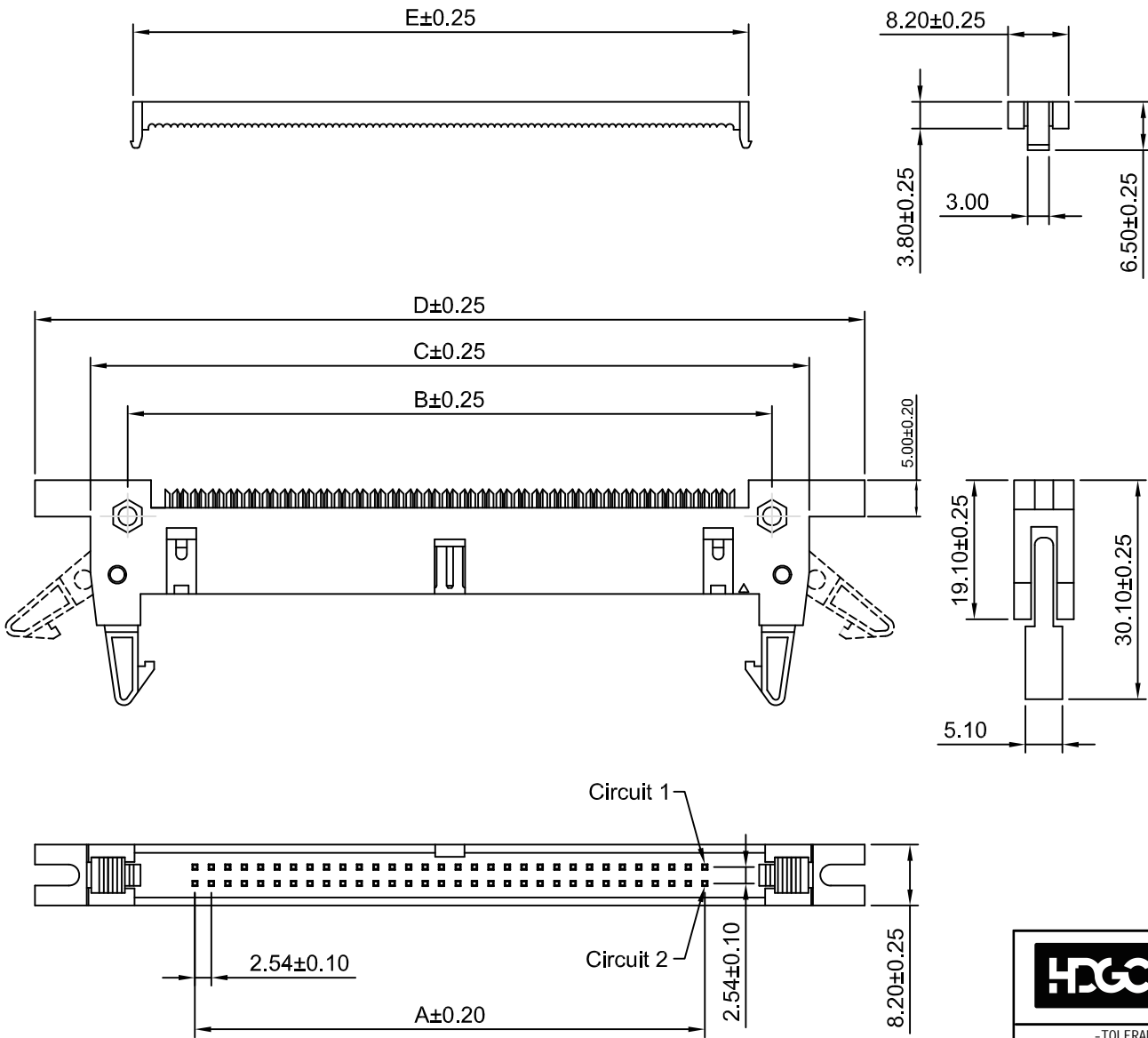
深圳市华德共创科技有限公司

Shenzhen Huade co-create Technology Co.,LTD

TEL : 0755-27129737 FAX : 0755-29940187

-TOLERANCES- UNLESS OTHERWISE SPECIFIED 公差参数表						TITLE: 2.54mm Pitch 产品名称: 90° Box Header			
X.X	±0.30	X.X°	±3°	APPD: 核准:	XIE	PART NO: 产品编号: HDGC2547WRB-2xXP-A			
X.XX	±0.30	X.XX°	±2°	CHECK: 校对:	WANG	DATE	SCALE	UNIT	CODE NUMBER
X.XXX	±0.10	X.XXX°	±1°	DRAW: 绘图:	WANG	2017-09-12	3:1	mm	A008

修订 REV	标记 MARK	修改摘要 REVISION DESCRIPTION	签名 SIGNATURE	日期 DATE
AO		NEW RELEASE	WANG	2017-09-12



SPECIFICATIONS:

Current Rating: 3A AC,DC
Voltage Rating: 250V AC,DC
Temperature Range: -25°C ~ +85°C
Contact Resistance: 20mΩ Max
Insulation Resistance: 1000MΩ Min
Withstanding Voltage: 1500V AC/minute
Pin Material: Brass/Gold over Nickel
Material: PBT 30%GF,UL94V-0(Black)

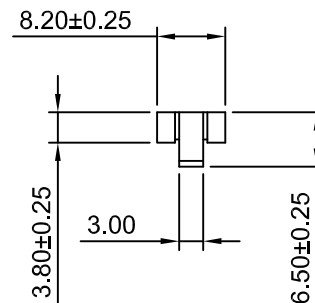
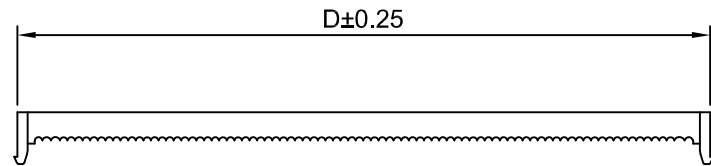
Ordering Information & Dimensions

Circuits	Dimensions(mm)					Circuits	Dimensions(mm)				
	A	B	C	D	E		A	B	C	D	E
2x5P	10.16	24.39	31.92	47.32	17.27	2x19P	45.72	59.95	67.18	82.88	52.83
2x6P	12.70	26.93	34.46	49.86	19.81	2x20P	48.26	62.49	69.72	49.86	55.37
2x7P	15.24	29.47	37.00	52.40	22.35	2x21P	50.80	65.03	72.26	87.96	57.91
2x8P	17.78	32.01	39.54	54.94	24.89	2x22P	53.34	67.57	74.80	90.50	60.45
2x9P	20.32	34.55	42.08	57.48	27.43	2x23P	55.88	70.11	77.34	93.04	62.99
2x10P	22.86	37.09	44.62	60.02	29.97	2x24P	58.42	72.65	79.88	95.58	65.53
2x11P	25.40	39.63	47.16	62.56	32.51	2x25P	60.96	75.19	82.42	98.12	68.07
2x12P	27.94	42.17	49.70	65.10	35.05	2x26P	63.50	77.73	84.96	100.66	70.61
2x13P	30.48	44.71	52.24	67.64	37.59	2x27P	66.04	80.27	87.50	103.20	73.15
2x14P	33.02	47.25	54.78	70.18	40.13	2x28P	68.58	82.81	90.04	105.74	75.69
2x15P	35.56	49.79	57.32	72.72	42.67	2x29P	71.12	85.35	92.58	108.28	78.23
2x16P	38.10	52.33	59.86	75.26	45.21	2x30P	73.66	87.89	95.12	110.82	80.77
2x17P	40.64	54.87	62.40	77.80	47.75	2x31P	76.20	90.43	97.66	113.36	83.31
2x18P	43.18	57.41	64.94	80.34	50.29	2x32P	78.74	92.97	100.20	115.90	85.85

深圳市华德共创科技有限公司
Shenzhen Huade co-create Technology Co.,LTD
TEL : 0755-27129737 FAX : 0755-29940187

-TOLERANCES- UNLESS OTHERWISE SPECIFIED 公差参数表					TITLE: 2.54mm Pitch Housing 产品名称: 2.54mm Pitch Housing			
X.X	±0.30	X.X°	±3°	APPD: 核准: XIE	PART NO: 产品编号: HDGC2547HI -2xXP			
X.XX	±0.30	X.XX°	±2°	CHECK: 校对: WANG	DATE	SCALE	UNIT	CODE NUMBER
X.XXX	±0.10	X.XXX°	±1°	DRAW: 绘图: WANG	2017-09-12	1:1	mm	A008

修订 REV	标记 MARK	修改摘要 REVISION DESCRIPTION	签名 SIGNATURE	日期 DATE
AO		NEW RELEASE	WANG	2017-09-12

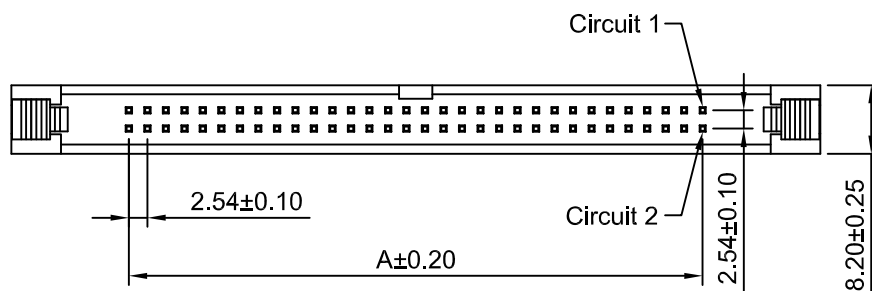
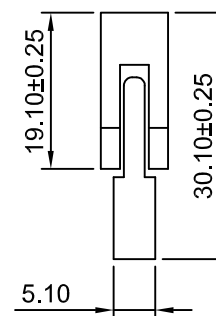
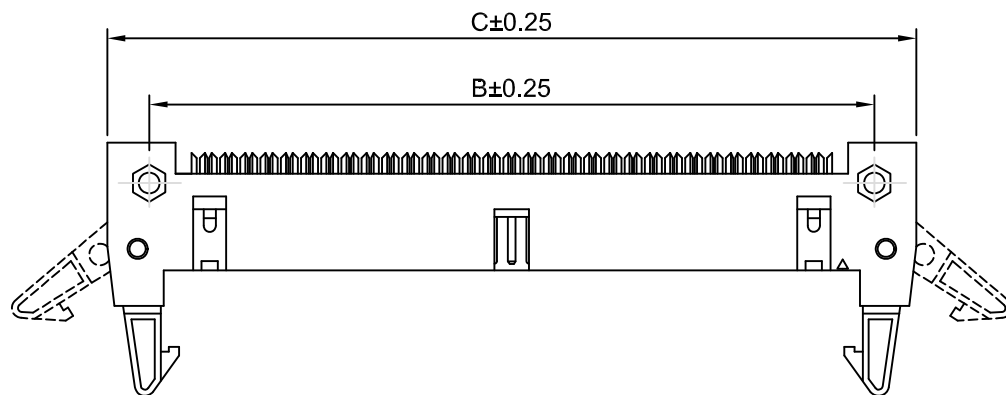


SPECIFICATIONS:

Current Rating: 3A AC,DC
Voltage Rating: 250V AC,DC
Temperature Range: -25°C ~ +85°C
Contact Resistance: 20mΩ Max
Insulation Resistance: 1000MΩ Min
Withstanding Voltage: 1500V AC/minute
Pin Material: Brass/Gold over Nickel
Material: PBT 30%GF,UL94V-0(Black)

Ordering Information & Dimensions

Circuits	Dimensions(mm)					Circuits	Dimensions(mm)				
	A	B	C	D	E		A	B	C	D	E
5P	10.16	24.39	31.92	47.32	17.27	19P	45.72	59.95	67.18	82.88	52.83
6P	12.70	26.93	34.46	49.86	19.81	20P	48.26	62.49	69.72	49.86	55.37
7P	15.24	29.47	37.00	52.40	22.35	21P	50.80	65.03	72.26	87.96	57.91
8P	17.78	32.01	39.54	54.94	24.89	22P	53.34	67.57	74.80	90.50	60.45
9P	20.32	34.55	42.08	57.48	27.43	23P	55.88	70.11	77.34	93.04	62.99
10P	22.86	37.09	44.62	60.02	29.97	24P	58.42	72.65	79.88	95.58	65.53
11P	25.40	39.63	47.16	62.56	32.51	25P	60.96	75.19	82.42	98.12	68.07
12P	27.94	42.17	49.70	65.10	35.05	26P	63.50	77.73	84.96	100.66	70.61
13P	30.48	44.71	52.24	67.64	37.59	27P	66.04	80.27	87.50	103.20	73.15
14P	33.02	47.25	54.78	70.18	40.13	28P	68.58	82.81	90.04	105.74	75.69
15P	35.56	49.79	57.32	72.72	42.67	29P	71.12	85.35	92.58	108.28	78.23
16P	38.10	52.33	59.86	75.26	45.21	30P	73.66	87.89	95.12	110.82	80.77
17P	40.64	54.87	62.40	77.80	47.75	31P	76.20	90.43	97.66	113.36	83.31
18P	43.18	57.41	64.94	80.34	50.29	32P	78.74	92.97	100.20	115.90	85.85



HDGC 深圳市华德共创科技有限公司
Shenzhen Huade co-create Technology Co.,LTD
TEL : 0755-27129737 FAX : 0755-29940187

-TOLERANCES- UNLESS OTHERWISE SPECIFIED 公差参数表						TITLE: 2.54mm Pitch Housing 产品名称: 2.54mm Pitch Housing			
X.X	±0.30	X.X°	±3°	APPD: 核准:	XIE	PART NO: 产品编号: HDGC2547H1A-2xXP			
X.XX	±0.30	X.XX°	±2°	CHECK: 校对:	WANG	DATE	SCALE	UNIT	CODE NUMBER
X.XXX	±0.10	X.XXX°	±1°	DRAW: 绘图:	WANG	2017-09-12	1:1	mm	A008