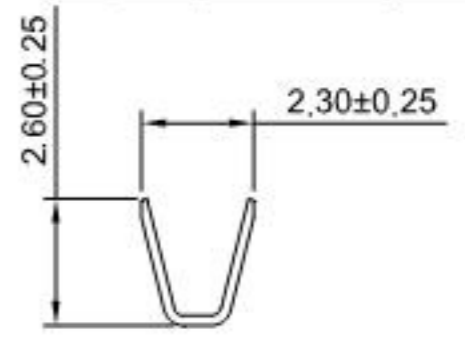
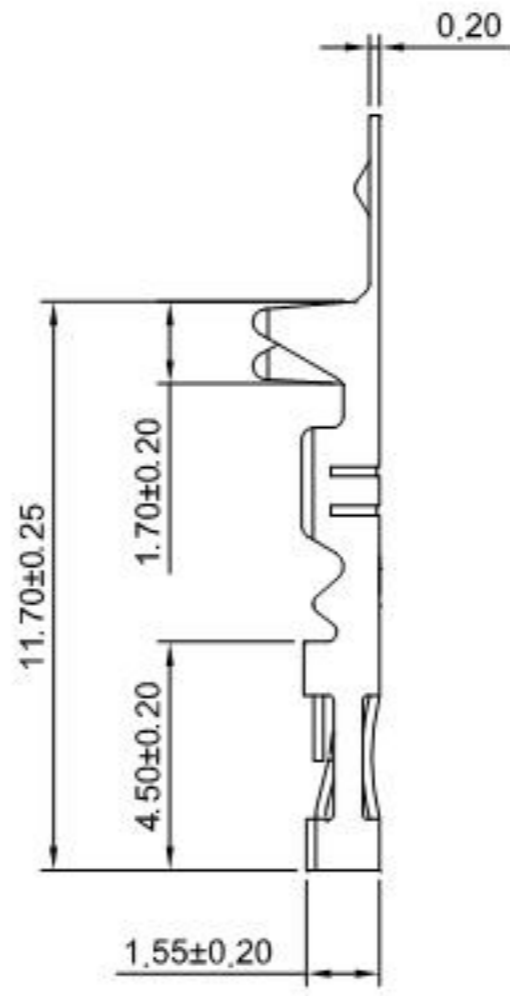
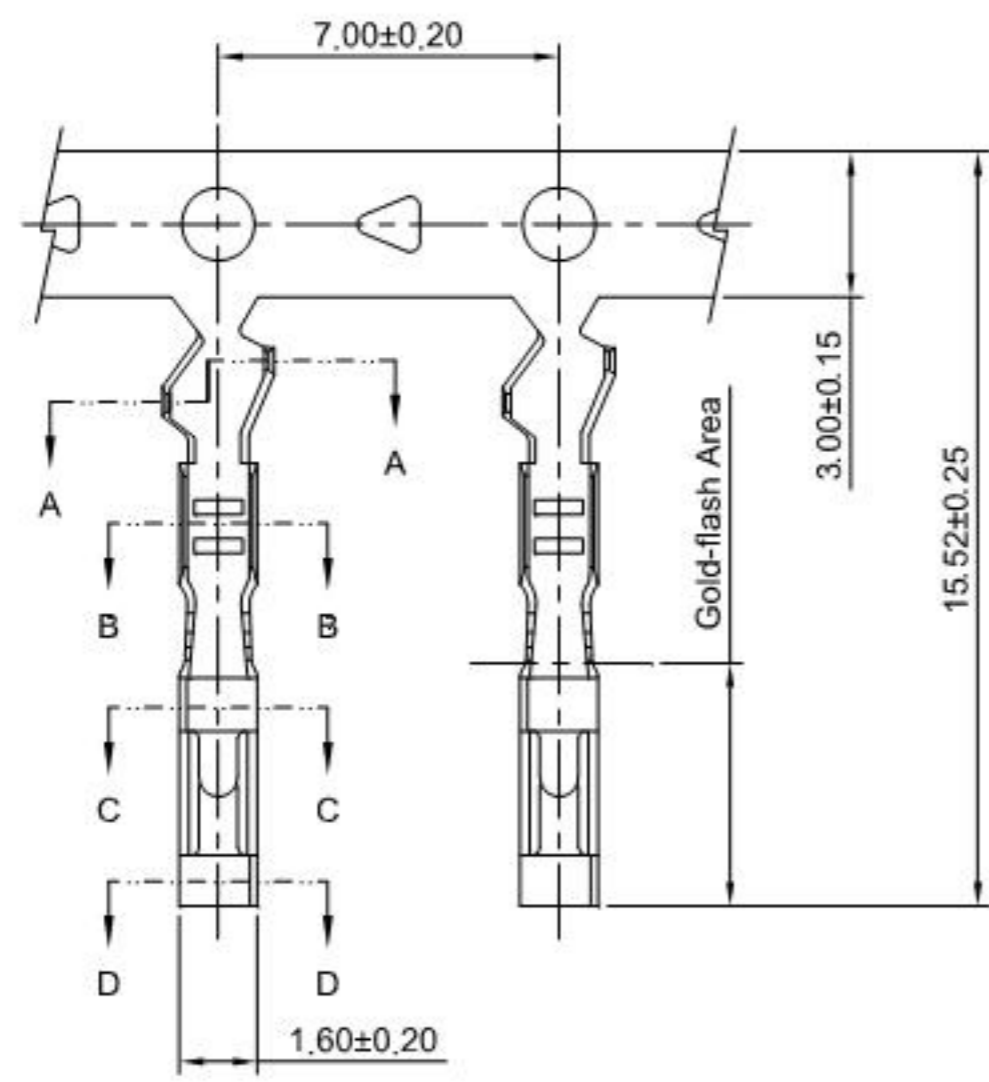
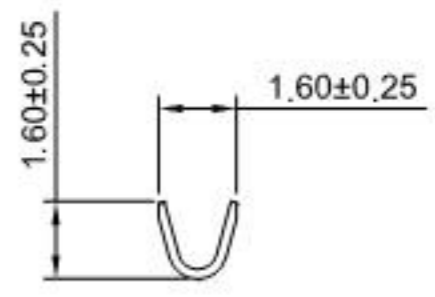


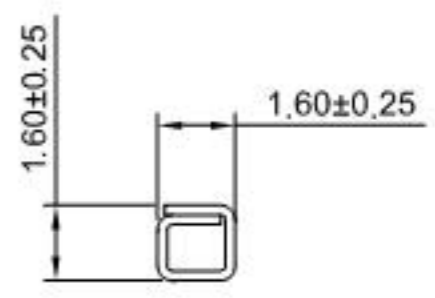
修订 REV	标记 MARK	修改摘要 REVISION DESCRIPTION	签名 SIGNATURE	日期 DATE
A0		NEW RELEASE	WANG	2012-12-10



SEC:A-A



SEC:B-B



SEC:C-C



SEC:D-D

Ordering information & Specifications

Unit:mm

Part No	Wire Range	Insultion O.D.	Material	Finish	Qty/reel
HDGC2541-TB	AWG#22-#26	1.63mm(max)	Brass	Tin over Nickel	10,000 PCS
HDGC2541-TP	AWG#22-#26	1.63mm(max)	Phosphor Bronze	Tin over Nickel	10,000 PCS
HDGC2541-GB	AWG#22-#26	1.63mm(max)	Brass	Gold over Nickel	10,000 PCS
HDGC2541-GP	AWG#22-#26	1.63mm(max)	Phosphor Bronze	Gold over Nickel	10,000 PCS

Optional Gold plating available but MOQ requested



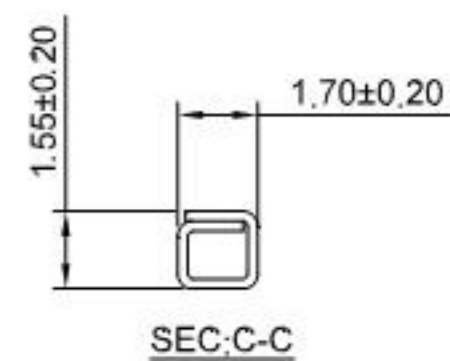
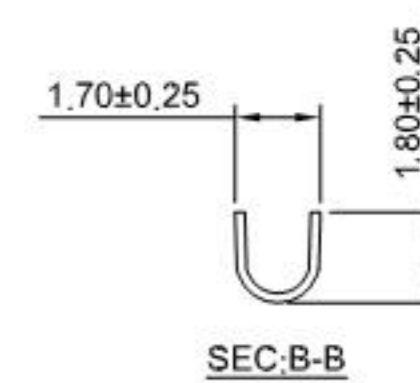
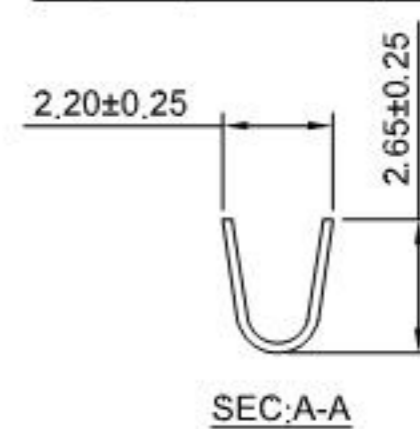
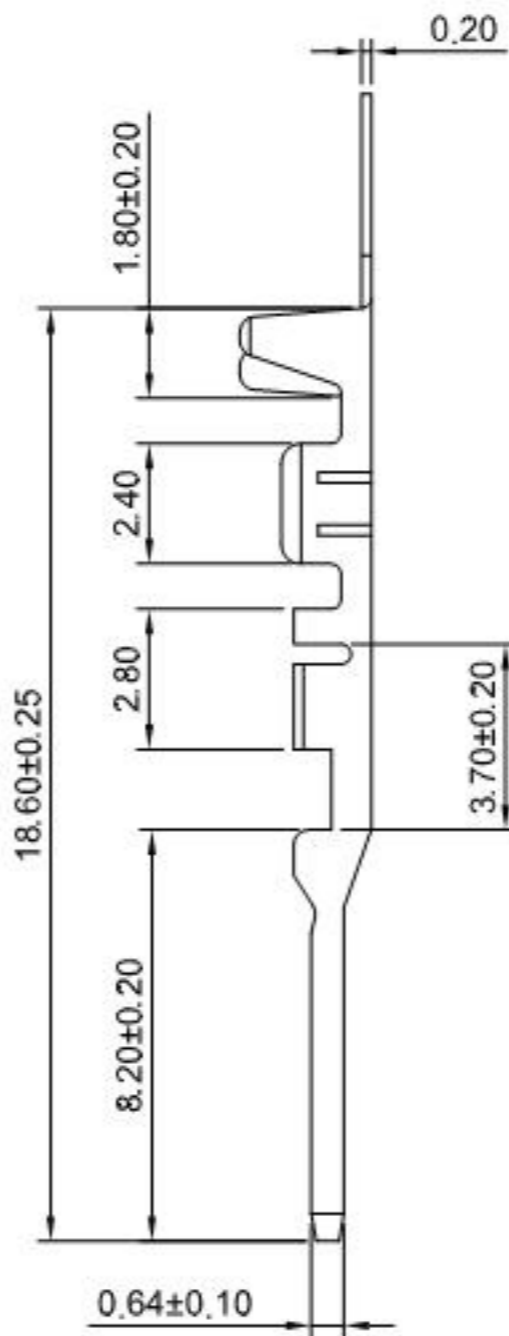
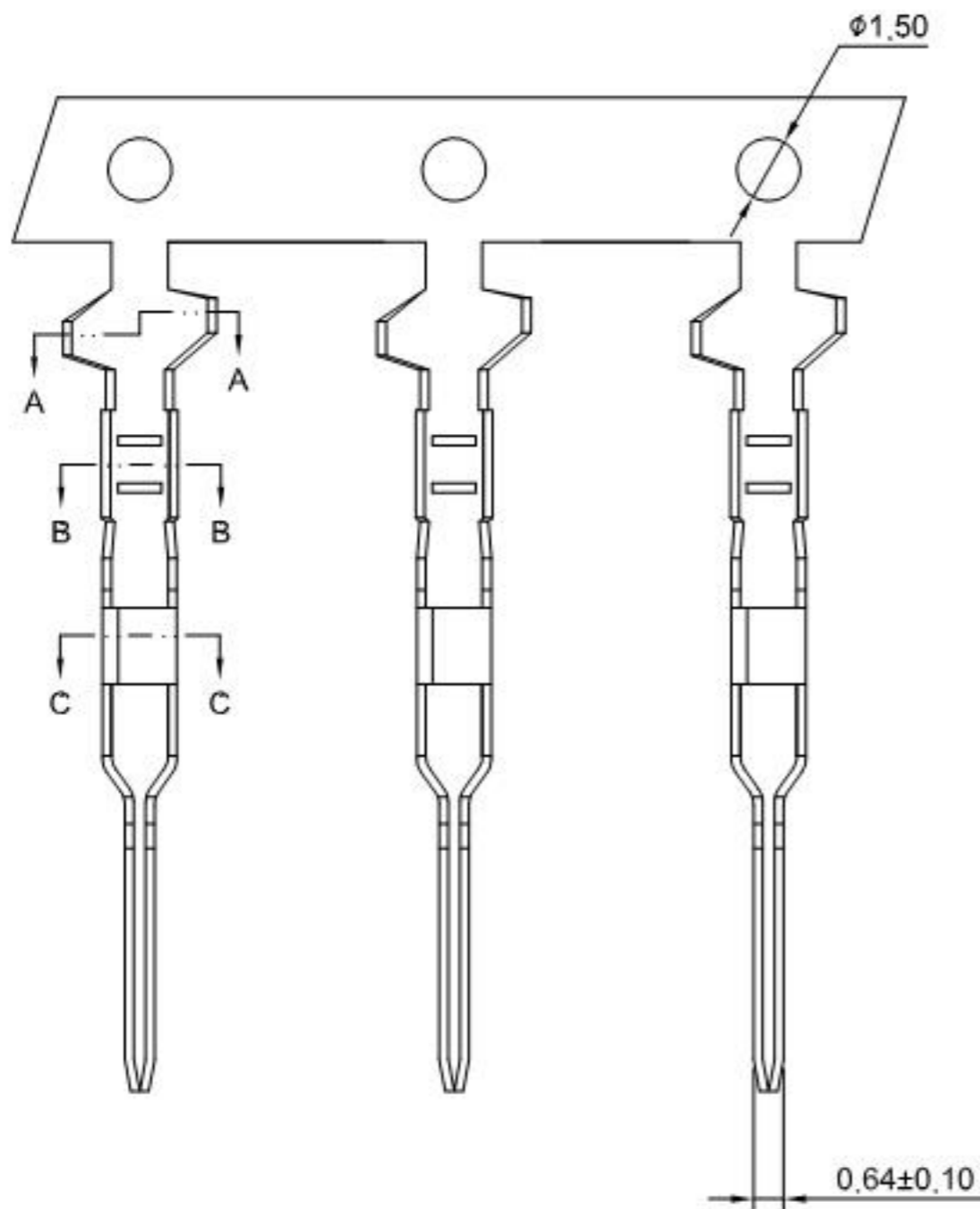
深圳市华德共创科技有限公司

Shenzhen Huade co-create Technology Co., LTD

TEL: 0755-27129737 FAX: 0755-29940187

-TOLERANCES- UNLESS OTHERWISE SPECIFIED 公差参数表				TITLE: 2.54mm Pitch 产品名称: Crimp Terminal	
X.X	±0.30	X.X°	±3°	APPD: 核准: XIE	PART NO: 产品编号: HDGC2541-T
X.XX	±0.30	X.XX°	±2°	CHECK: 校对: WANG	DATE
X.XXX	±0.10	X.XXX°	±1°	DRAW: 绘图: WANG	SCALE
					UNIT
					CODE NUMBER
				2012-12-10	A008
				5:1	mm

修订 REV	标记 MARK	修改摘要 REVISION DESCRIPTION	签名 SIGNATURE	日期 DATE
A0		NEW RELEASE	WANG	2012-12-10



Ordering information & Specifications

Unit:mm

Part No	Wire Range	Insultion O.D.	Material	Finish	Qty/reel
HDGC2541M-TB	AWG#22-#28	1.63mm(max)	Brass	Tin over Nickel	10,000 PCS
HDGC2541M-TP	AWG#22-#28	1.63mm(max)	Phosphor Bronze	Tin over Nickel	10,000 PCS
HDGC2541M-GB	AWG#22-#28	1.63mm(max)	Brass	Gold over Nickel	10,000 PCS
HDGC2541M-GP	AWG#22-#28	1.63mm(max)	Phosphor Bronze	Gold over Nickel	10,000 PCS

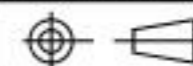


深圳市华德共创科技有限公司

Shenzhen Huade co-create Technology Co., LTD

TEL: 0755-27129737 FAX: 0755-29940187

-TOLERANCES-  
UNLESS OTHERWISE SPECIFIED  
公差参数表



TITLE: 2.54mm Pitch  
产品名称: Crimp Terminal

X.X ±0.30 X.X° ±3°

APPD: 核准: XIE

PART NO: HDGC2541M-T  
产品编号:

X.XX ±0.30 X.XX° ±2°

CHECK: 校对: WANG

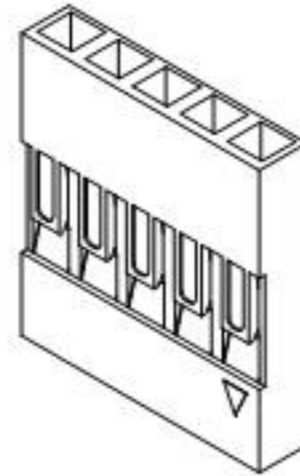
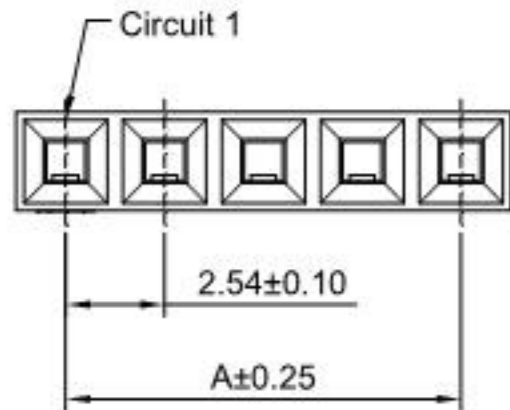
DATE SCALE UNIT CODE NUMBER

X.XXX ±0.10 X.XXX° ±1°

DRAW: 绘图: WANG

2012-12-10 5:1 mm A008

修订 REV	标记 MARK	修改摘要 REVISION DESCRIPTION	签名 SIGNATURE	日期 DATE
A0		NEW RELEASE	WANG	2012-12-10

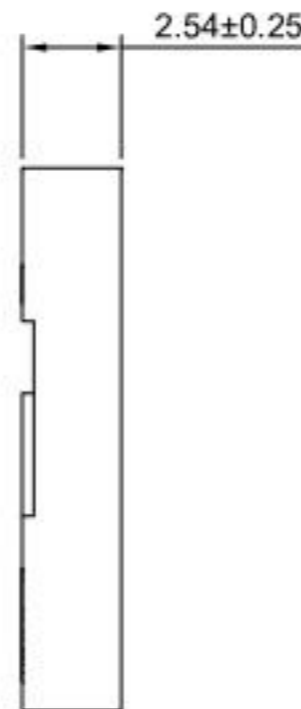
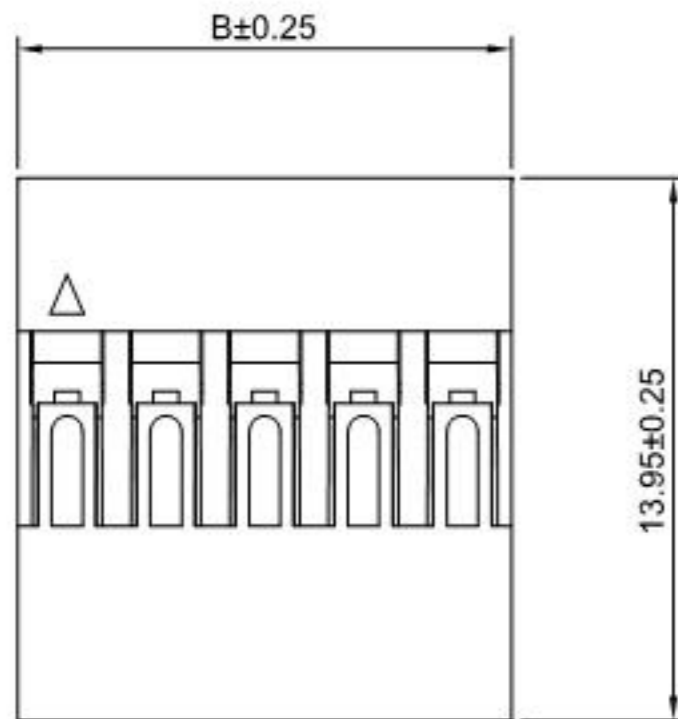


**SPECIFICATIONS:**

Current Rating: 3A AC,DC  
Voltage Rating: 250V AC,DC  
Temperature Range: -25°C ~ +85°C  
Contact Resistance: 20mΩ Max  
Insulation Resistance: 1000MΩ Min  
Withstanding Voltage: 1500V AC/minute  
Material: PBT, UL94V-0(Black)

**Ordering Information & Dimensions**

Circuits	Dim(mm)		Circuits	Dim(mm)		Circuits	Dim(mm)	
	A	B		A	B		A	B
1P		2.54	15P	35.56	38.10	28P	68.58	71.12
2P	2.54	5.08	16P	38.10	40.64	29P	71.12	73.66
3P	5.08	7.62	17P	40.64	43.18	30P	73.66	76.20
4P	7.62	10.16	18P	43.18	45.72	31P	76.20	78.74
5P	10.16	12.70	19P	45.72	48.26	32P	78.74	81.28
6P	12.70	15.24	20P	48.26	50.80	33P	81.28	83.82
7P	15.24	17.78	21P	50.80	53.34	34P	83.82	86.36
8P	17.78	20.32	22P	53.34	55.88	35P	86.36	88.90
9P	20.32	22.86	23P	55.88	58.42	36P	88.90	91.44
10P	22.86	25.40	24P	58.42	60.96	37P	91.44	93.98
11P	25.40	27.94	25P	60.96	63.50	38P	93.98	96.52
12P	27.94	30.48	26P	63.50	66.04	39P	96.52	99.06
13P	30.48	33.02	27P	66.04	68.58	40P	99.06	101.60
14P	33.02	35.56						



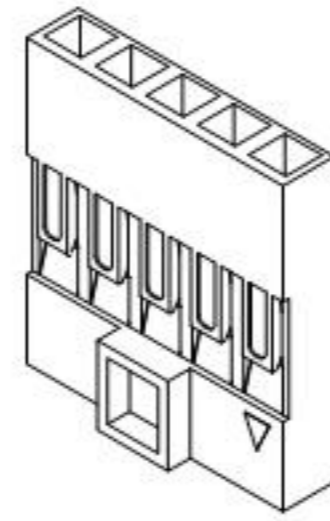
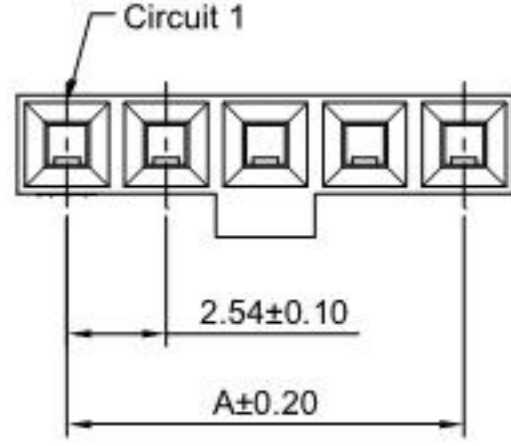
深圳市华德共创科技有限公司

Shenzhen Huade co-create Technology Co., LTD

TEL: 0755-27129737 FAX: 0755-29940187

-TOLERANCES- UNLESS OTHERWISE SPECIFIED 公差参数表						TITLE: 2.54mm Pitch Housing 产品名称: Housing			
X.X	±0.30	X.X°	±3°	APPD: 核准:	XIE	PART NO: HDGC2541H-XP 产品编号:			
X.XX	±0.30	X.XX°	±2°	CHECK: 校对:	WANG	DATE	SCALE	UNIT	CODE NUMBER
X.XXX	±0.10	X.XXX°	±1°	DRAW: 绘图:	WANG	2012-12-10	4:1	mm	A008

修订 REV	标记 MARK	修改摘要 REVISION DESCRIPTION	签名 SIGNATURE	日期 DATE
A0		NEW RELEASE	WANG	2012-12-10

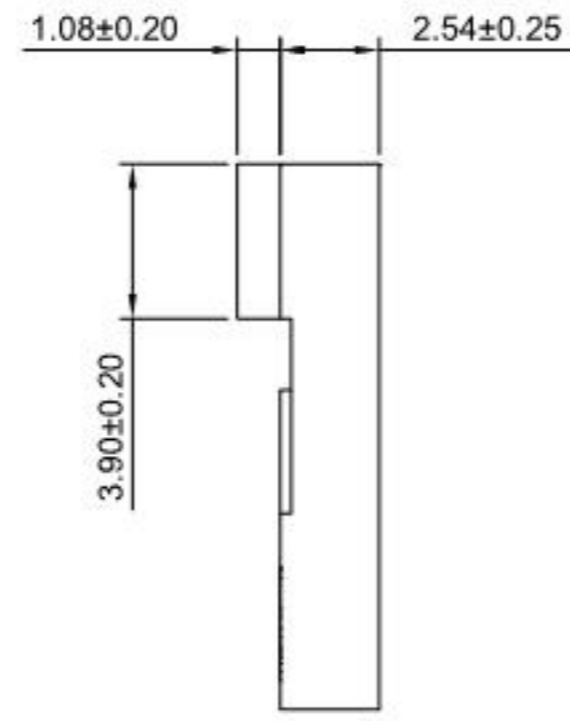
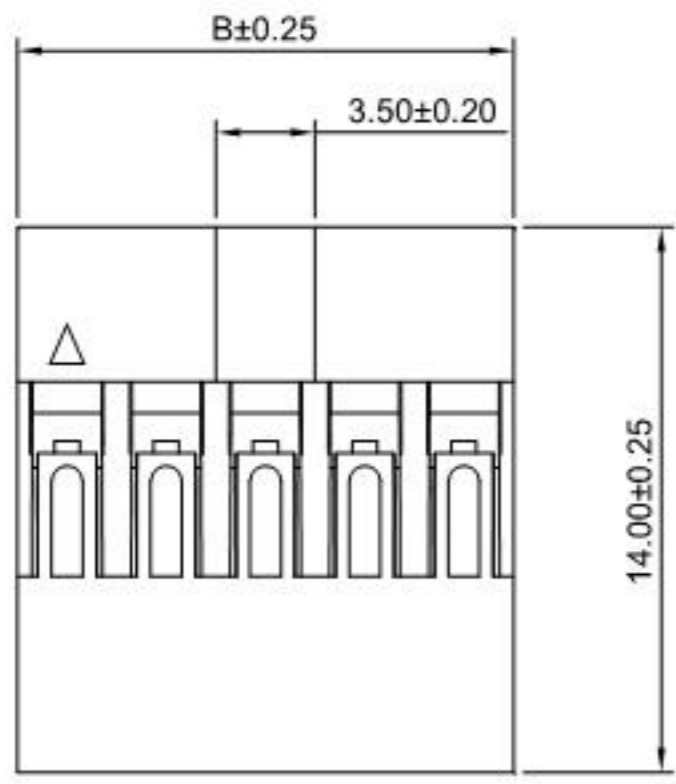


**SPECIFICATIONS:**

Current Rating: 3A AC,DC  
Voltage Rating: 250V AC,DC  
Temperature Range: -25°C ~ +85°C  
Contact Resistance: 20mΩ Max  
Insulation Resistance: 1000MΩ Min  
Withstanding Voltage: 1500V AC/minute  
Material: PBT, UL94V-0(Black)

**Ordering Information & Dimensions**

Circuits	Dim(mm)		Circuits	Dim(mm)		Circuits	Dim(mm)	
	A	B		A	B		A	B
2P	2.54	5.14	15P	35.56	38.16	28P	68.58	71.18
3P	5.08	7.68	16P	38.10	40.70	29P	71.12	73.72
4P	7.62	10.22	17P	40.64	43.24	30P	73.66	76.26
5P	10.16	12.76	18P	43.18	45.78	31P	76.20	78.80
6P	12.70	15.30	19P	45.72	48.32	32P	78.74	81.34
7P	15.24	17.84	20P	48.26	50.86	33P	81.28	83.86
8P	17.78	20.38	21P	50.80	53.40	34P	83.82	86.42
9P	20.32	22.92	22P	53.34	55.94	35P	86.36	88.96
10P	22.86	25.46	23P	55.88	58.48	36P	88.90	91.50
11P	25.40	28.00	24P	58.42	61.02	37P	91.44	94.04
12P	27.94	30.54	25P	60.96	63.56	38P	93.98	96.56
13P	30.48	33.08	26P	63.50	66.10	39P	96.52	99.12
14P	33.02	35.62	27P	66.04	68.64	40P	99.06	101.66



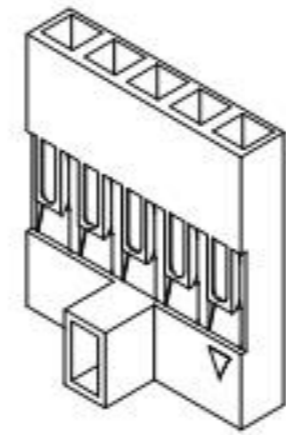
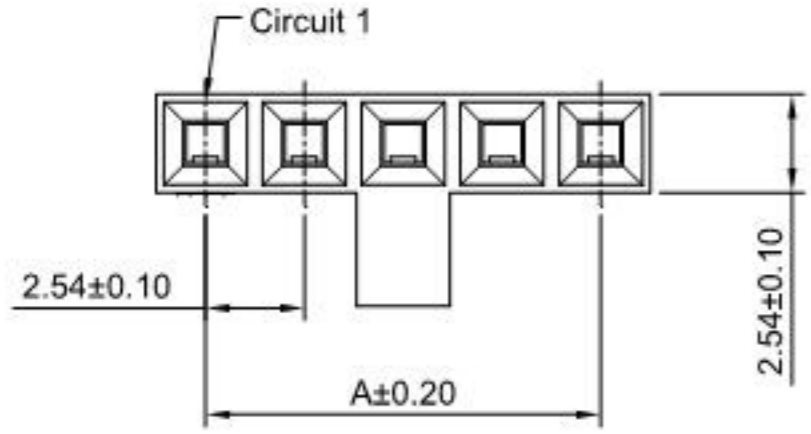
**深圳市华德共创科技有限公司**

Shenzhen Huade co-create Technology Co., LTD

TEL: 0755-27129737 FAX: 0755-29940187

-TOLERANCES- UNLESS OTHERWISE SPECIFIED 公差参数表				TITLE: 2.54mm Pitch Housing 产品名称: Housing	
X.X	±0.30	X.X°	±3°	APPD: 核准:	XIE
X.XX	±0.30	X.XX°	±2°	CHECK: 校对:	WANG
X.XXX	±0.10	X.XXX°	±1°	DRAW: 绘图:	WANG
PART NO: 产品编号:		HDGC2541H-N-XP		DATE	2012-12-10
SCALE		4:1	UNIT	mm	CODE NUMBER
A008					

修订 REV	标记 MARK	修改摘要 REVISION DESCRIPTION	签名 SIGNATURE	日期 DATE
A0		NEW RELEASE	WANG	2012-12-10

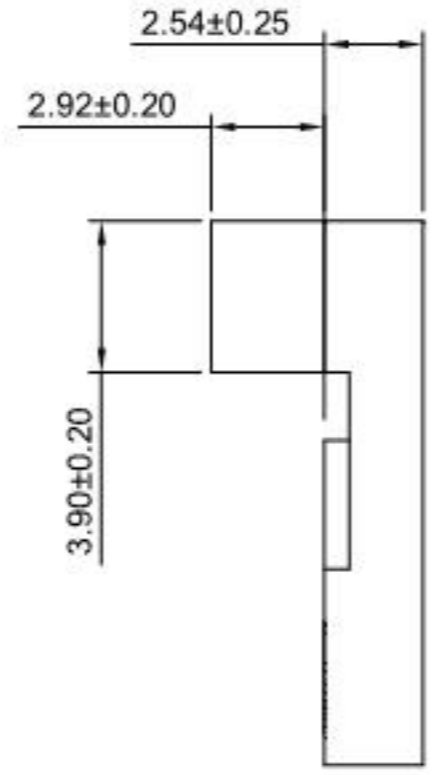
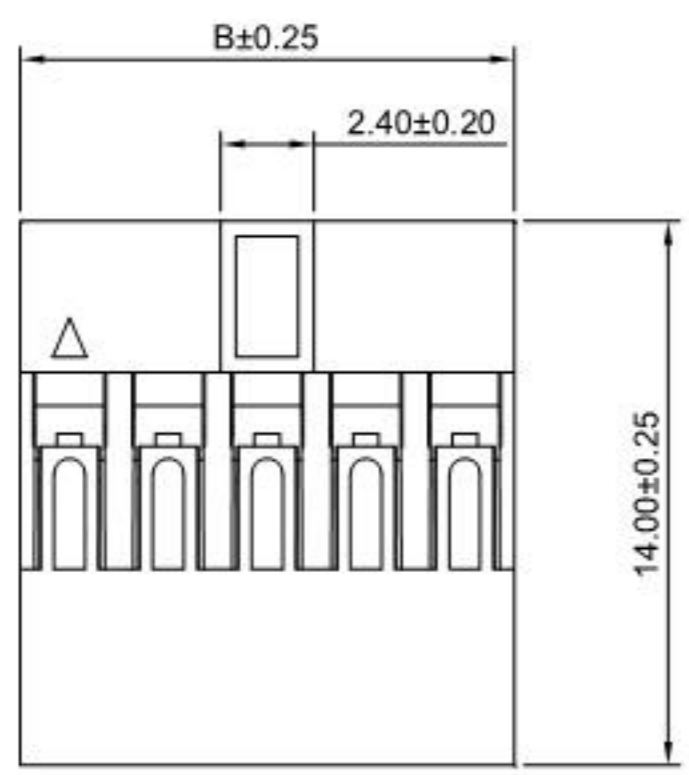


**SPECIFICATIONS:**

Current Rating: 3A AC,DC  
Voltage Rating: 250V AC,DC  
Temperature Range: -25°C ~ +85°C  
Contact Resistance: 20mΩ Max  
Insulation Resistance: 1000MΩ Min  
Withstanding Voltage: 1500V AC/minute  
Material: PBT, UL94V-0(Black)

**Ordering Information & Dimensions**

Circuits	Dim(mm)		Circuits	Dim(mm)		Circuits	Dim(mm)	
	A	B		A	B		A	B
2P	2.54	5.14	15P	35.56	38.16	28P	68.58	71.18
3P	5.08	7.68	16P	38.10	40.70	29P	71.12	73.72
4P	7.62	10.22	17P	40.64	43.24	30P	73.66	76.26
5P	10.16	12.76	18P	43.18	45.78	31P	76.20	78.80
6P	12.70	15.30	19P	45.72	48.32	32P	78.74	81.34
7P	15.24	17.84	20P	48.26	50.86	33P	81.28	83.86
8P	17.78	20.38	21P	50.80	53.40	34P	83.82	86.42
9P	20.32	22.92	22P	53.34	55.94	35P	86.36	88.96
10P	22.86	25.46	23P	55.88	58.48	36P	88.90	91.50
11P	25.40	28.00	24P	58.42	61.02	37P	91.44	94.04
12P	27.94	30.54	25P	60.96	63.56	38P	93.98	96.56
13P	30.48	33.08	26P	63.50	66.10	39P	96.52	99.12
14P	33.02	35.62	27P	66.04	68.64	40P	99.06	101.66



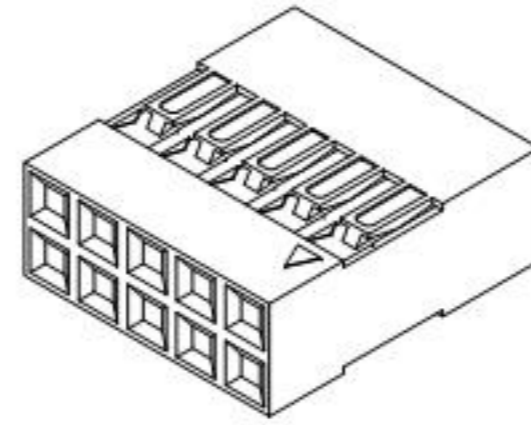
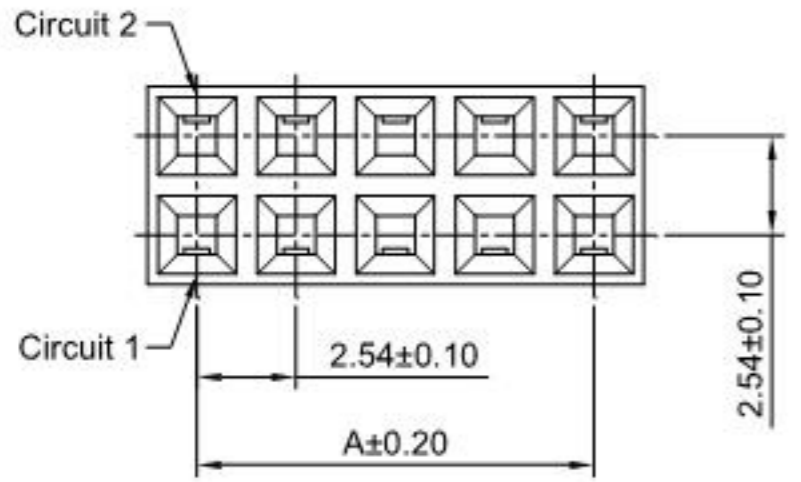
深圳市华德共创科技有限公司

Shenzhen Huade co-create Technology Co., LTD

TEL: 0755-27129737 FAX: 0755-29940187

-TOLERANCES- UNLESS OTHERWISE SPECIFIED 公差参数表						TITLE: 2.54mm Pitch Housing 产品名称: Housing			
X.X	±0.30	X.X°	±3°	APPD: 核准:	XIE	PART NO: 产品编号: HDGC2541H-N-XP-2			
X.XX	±0.30	X.XX°	±2°	CHECK: 校对:	WANG	DATE	SCALE	UNIT	CODE NUMBER
X.XXX	±0.10	X.XXX°	±1°	DRAW: 绘图:	WANG	2012-12-10	4:1	mm	A008

修订 REV	标记 MARK	修改摘要 REVISION DESCRIPTION	签名 SIGNATURE	日期 DATE
A0		NEW RELEASE	WANG	2012-12-10

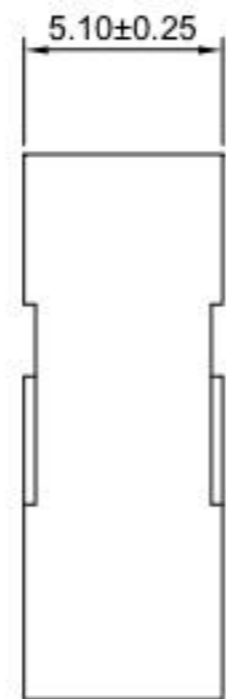
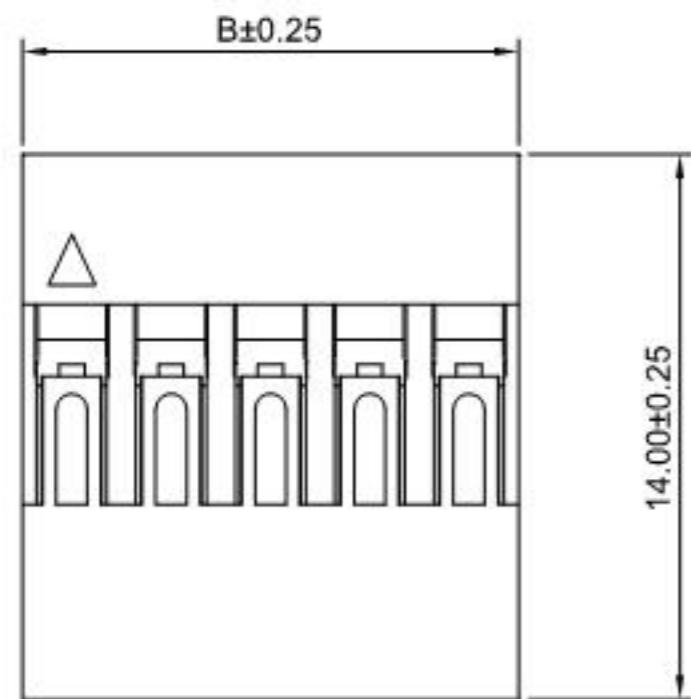


**SPECIFICATIONS:**

Current Rating: 3A AC,DC  
Voltage Rating: 250V AC,DC  
Temperature Range: -25°C ~ +85°C  
Contact Resistance: 20mΩ Max  
Insulation Resistance: 1000MΩ Min  
Withstanding Voltage: 1500V AC/minute  
Material: PBT 15%GF, UL94V-0(Black)

**Ordering Information & Dimensions**

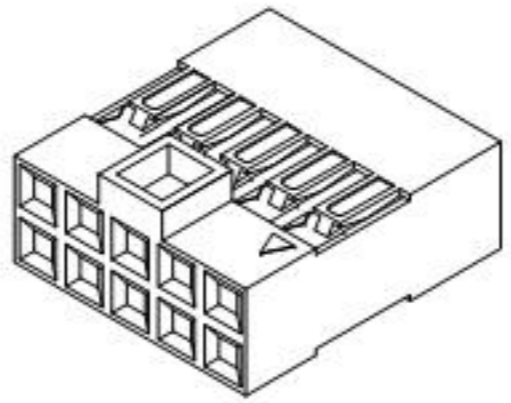
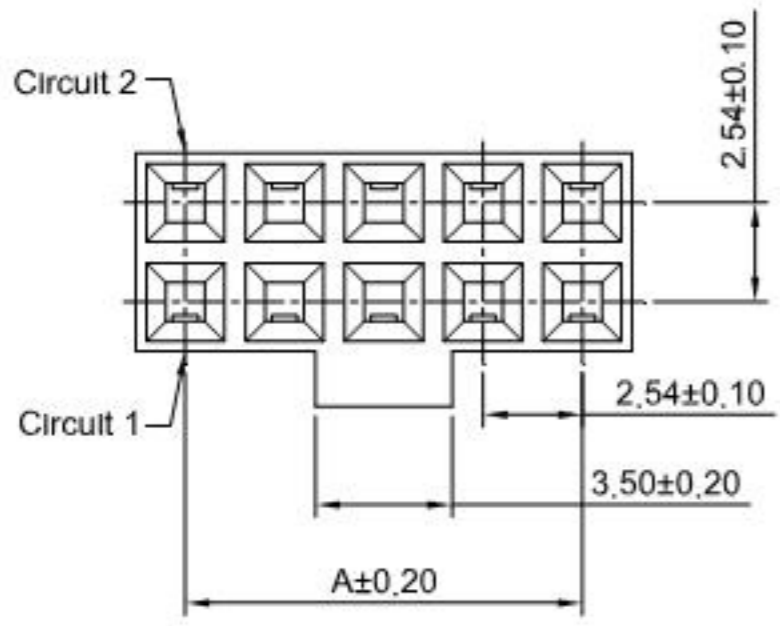
Circuits	Dim(mm)		Circuits	Dim(mm)		Circuits	Dim(mm)	
	A	B		A	B		A	B
2x2P	2.54	5.08	2x15P	35.56	38.10	2x28P	68.58	71.12
2x3P	5.08	7.62	2x16P	38.10	40.64	2x29P	71.12	73.66
2x4P	7.62	10.16	2x17P	40.64	43.18	2x30P	73.66	76.20
2x5P	10.16	12.70	2x18P	43.18	45.72	2x31P	76.20	78.74
2x6P	12.70	15.24	2x19P	45.72	48.26	2x32P	78.74	81.28
2x7P	15.24	17.78	2x20P	48.26	50.80	2x33P	81.28	83.82
2x8P	17.78	20.32	2x21P	50.80	53.34	2x34P	83.82	86.36
2x9P	20.32	22.86	2x22P	53.34	55.88	2x35P	86.36	88.90
2x10P	22.86	25.40	2x23P	55.88	58.42	2x36P	88.90	91.44
2x11P	25.40	27.94	2x24P	58.42	60.96	2x37P	91.44	93.98
2x12P	27.94	30.48	2x25P	60.96	63.50	2x38P	93.98	96.52
2x13P	30.48	33.02	2x26P	63.50	66.04	2x39P	96.52	99.06
2x14P	33.02	35.56	2x27P	66.04	68.58	2x40P	99.06	101.60



**HDGC** 深圳市华德共创科技有限公司  
Shenzhen Huade co-create Technology Co., LTD  
TEL: 0755-27129737 FAX: 0755-29940187

-TOLERANCES- UNLESS OTHERWISE SPECIFIED 公差参数表				TITLE: 2.54mm Pitch Housing 产品名称: 2.54mm Pitch Housing	
X.X	±0.30	X.X°	±3°	APPD: 核准: XIE	PART NO: 产品编号: HDGC2541H-2xXP
X.XX	±0.30	X.XX°	±2°	CHECK: 校对: WANG	DATE SCALE UNIT CODE NUMBER
X.XXX	±0.10	X.XXX°	±1°	DRAW: 绘图: WANG	2012-12-10 4:1 mm A008

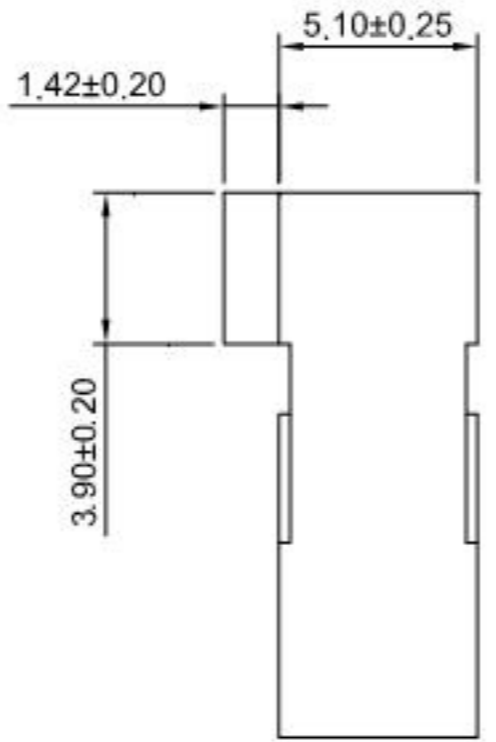
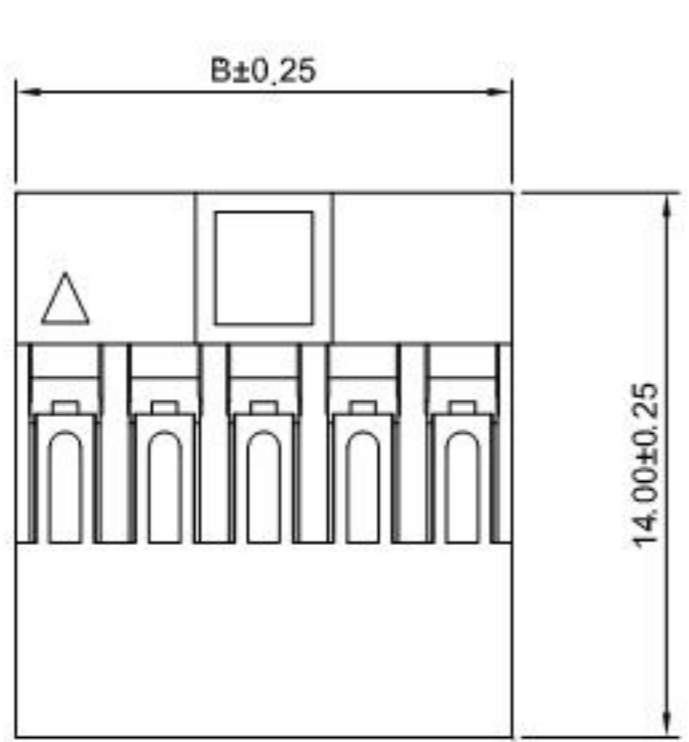
修订 REV	标记 MARK	修改摘要 REVISION DESCRIPTION	签名 SIGNATURE	日期 DATE
A0		NEW RELEASE	WANG	2012-12-10



**SPECIFICATIONS:**  
 Current Rating: 3A AC,DC  
 Voltage Rating: 250V AC,DC  
 Temperature Range: -25°C ~ +85°C  
 Contact Resistance: 20mΩ Max  
 Insulation Resistance: 1000MΩ Min  
 Withstanding Voltage: 1500V AC/minute  
 Material: PBT 15%GF, UL94V-0(Black)

**Ordering Information & Dimensions**

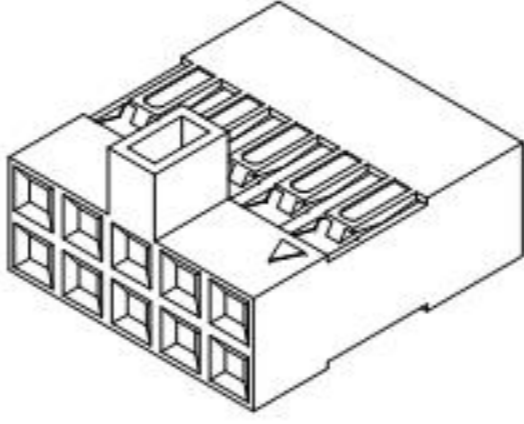
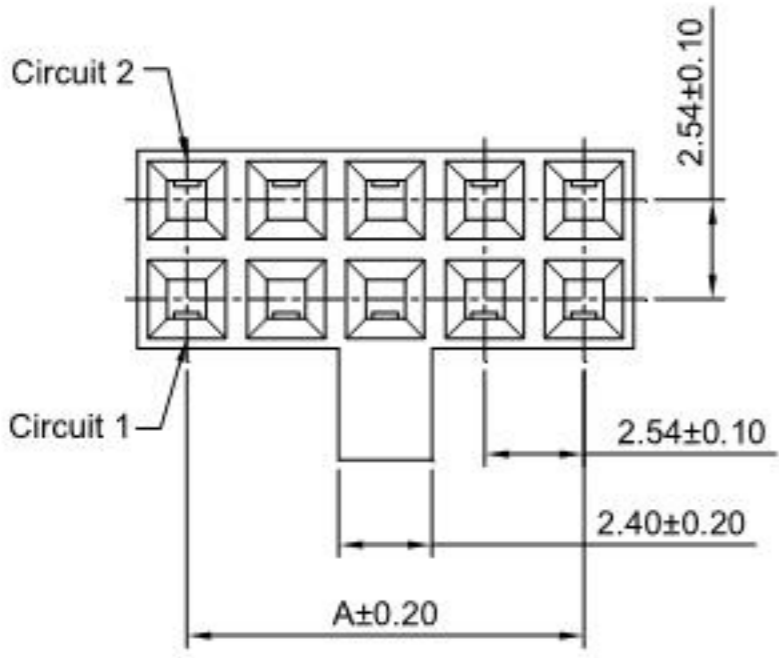
Circuits	Dim(mm)		Circuits	Dim(mm)		Circuits	Dim(mm)	
	A	B		A	B		A	B
2x2P	2,54	5,08	2x15P	35,56	38,10	2x28P	68,58	71,12
2x3P	5,08	7,62	2x16P	38,10	40,64	2x29P	71,12	73,66
2x4P	7,62	10,16	2x17P	40,64	43,18	2x30P	73,66	76,20
2x5P	10,16	12,70	2x18P	43,18	45,72	2x31P	76,20	78,74
2x6P	12,70	15,24	2x19P	45,72	48,26	2x32P	78,74	81,28
2x7P	15,24	17,78	2x20P	48,26	50,80	2x33P	81,28	83,82
2x8P	17,78	20,32	2x21P	50,80	53,34	2x34P	83,82	86,36
2x9P	20,32	22,86	2x22P	53,34	55,88	2x35P	86,36	88,90
2x10P	22,86	25,40	2x23P	55,88	58,42	2x36P	88,90	91,44
2x11P	25,40	27,94	2x24P	58,42	60,96	2x37P	91,44	93,98
2x12P	27,94	30,48	2x25P	60,96	63,50	2x38P	93,98	96,52
2x13P	30,48	33,02	2x26P	63,50	66,04	2x39P	96,52	99,06
2x14P	33,02	35,56	2x27P	66,04	68,58	2x40P	99,06	101,60



**深圳市华德共创科技有限公司**  
 Shenzhen Huade co-create Technology Co., LTD  
 TEL: 0755-27129737 FAX: 0755-29940187

-TOLERANCES- UNLESS OTHERWISE SPECIFIED 公差参数表				TITLE: 2.54mm Pitch Housing 产品名称: 2.54mm Pitch Housing	
X.X	±0.30	X.X°	±3°	APPD: 核准: XIE	PART NO: 产品编号: HDGC2541H-N-2xXP
X.XX	±0.30	X.XX°	±2°	CHECK: 校对: WANG	DATE SCALE UNIT CODE NUMBER
X.XXX	±0.10	X.XXX°	±1°	DRAW: 绘图: WANG	2012-12-10 4:1 mm A008

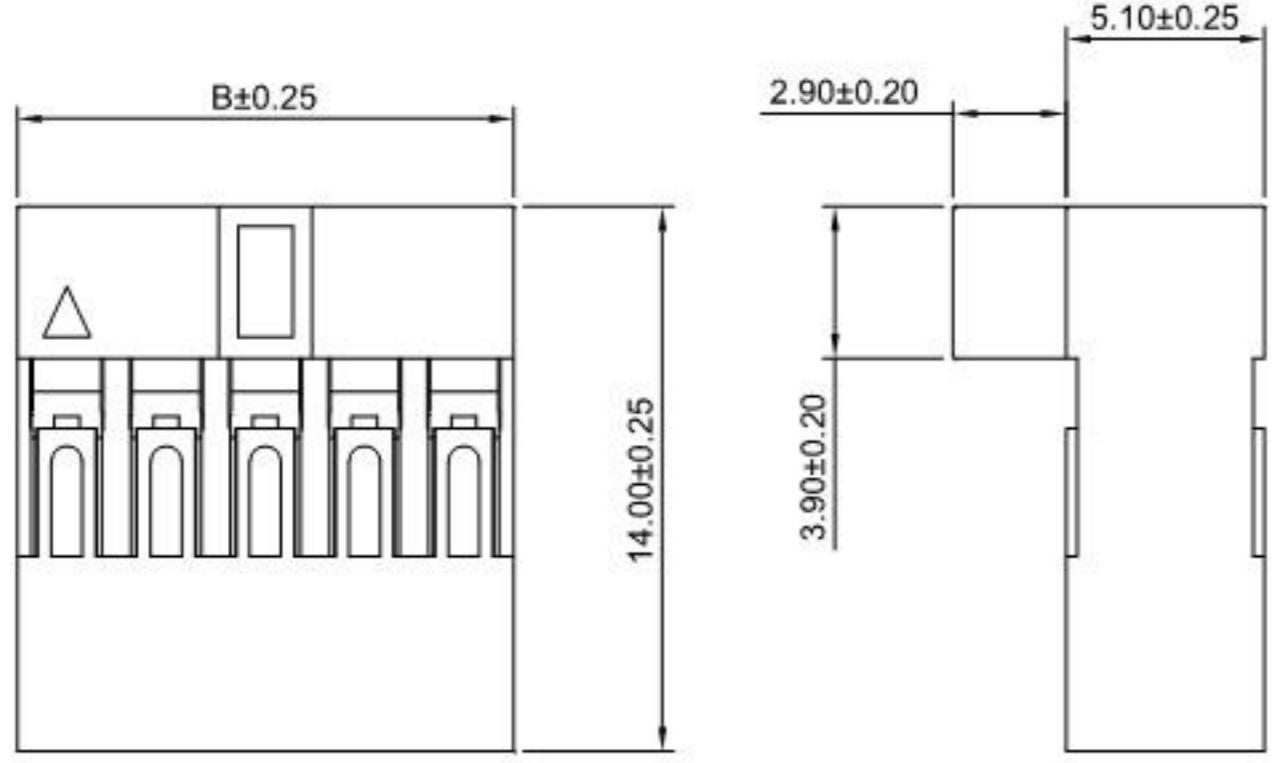
修订 REV	标记 MARK	修改摘要 REVISION DESCRIPTION	签名 SIGNATURE	日期 DATE
A0		NEW RELEASE	WANG	2012-12-10



**SPECIFICATIONS:**  
 Current Rating: 3A AC,DC  
 Voltage Rating: 250V AC,DC  
 Temperature Range: -25°C ~ +85°C  
 Contact Resistance: 20mΩ Max  
 Insulation Resistance: 1000MΩ Min  
 Withstanding Voltage: 1500V AC/minute  
 Material: PBT 15%GF, UL94V-0(Black)

**Ordering Information & Dimensions**

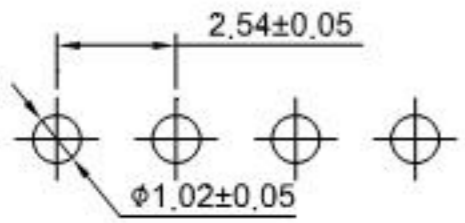
Circuits	Dim(mm)		Circuits	Dim(mm)		Circuits	Dim(mm)	
	A	B		A	B		A	B
2x2P	2.54	5.08	2x15P	35.56	38.10	2x28P	68.58	71.12
2x3P	5.08	7.62	2x16P	38.10	40.64	2x29P	71.12	73.66
2x4P	7.62	10.16	2x17P	40.64	43.18	2x30P	73.66	76.20
2x5P	10.16	12.70	2x18P	43.18	45.72	2x31P	76.20	78.74
2x6P	12.70	15.24	2x19P	45.72	48.26	2x32P	78.74	81.28
2x7P	15.24	17.78	2x20P	48.26	50.80	2x33P	81.28	83.82
2x8P	17.78	20.32	2x21P	50.80	53.34	2x34P	83.82	86.36
2x9P	20.32	22.86	2x22P	53.34	55.88	2x35P	86.36	88.90
2x10P	22.86	25.40	2x23P	55.88	58.42	2x36P	88.90	91.44
2x11P	25.40	27.94	2x24P	58.42	60.96	2x37P	91.44	93.98
2x12P	27.94	30.48	2x25P	60.96	63.50	2x38P	93.98	96.52
2x13P	30.48	33.02	2x26P	63.50	66.04	2x39P	96.52	99.06
2x14P	33.02	35.56	2x27P	66.04	68.58	2x40P	99.06	101.60



**HDGC** 深圳市华德共创科技有限公司  
 Shenzhen Huade co-create Technology Co., LTD  
 TEL: 0755-27129737 FAX: 0755-29940187

-TOLERANCES- UNLESS OTHERWISE SPECIFIED 公差参数表				TITLE: 2.54mm Pitch Housing 产品名称: 2.54mm Pitch Housing	
X.X	±0.30	X.X°	±3°	APPD: 核准: XIE	PART NO: 产品编号: HDGC2541H-N-2xXP-2
X.XX	±0.30	X.XX°	±2°	CHECK: 校对: WANG	DATE SCALE UNIT CODE NUMBER
X.XXX	±0.10	X.XXX°	±1°	DRAW: 绘图: WANG	2012-12-10 4:1 mm A008

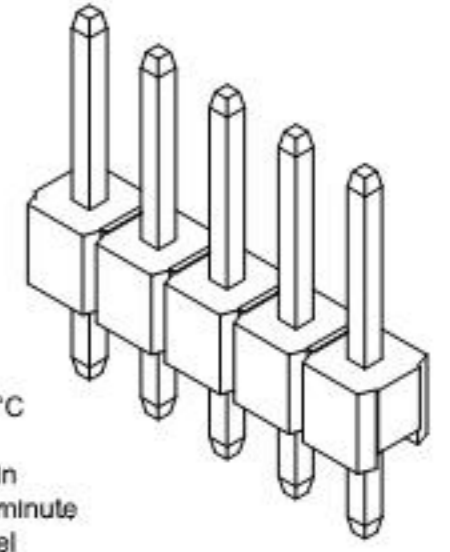
修订 REV	标记 MARK	修改摘要 REVISION DESCRIPTION	签名 SIGNATURE	日期 DATE
A0		NEW RELEASE	WANG	2012-12-10



P.C.B LAYOUT

Ordering Information:  
 HDGC2541WV-XP -  $\frac{---}{1} - \frac{---}{2} - \frac{---}{3} - \frac{---}{4} - \frac{---}{5}$

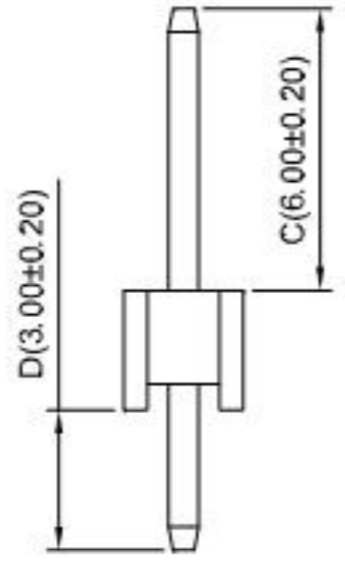
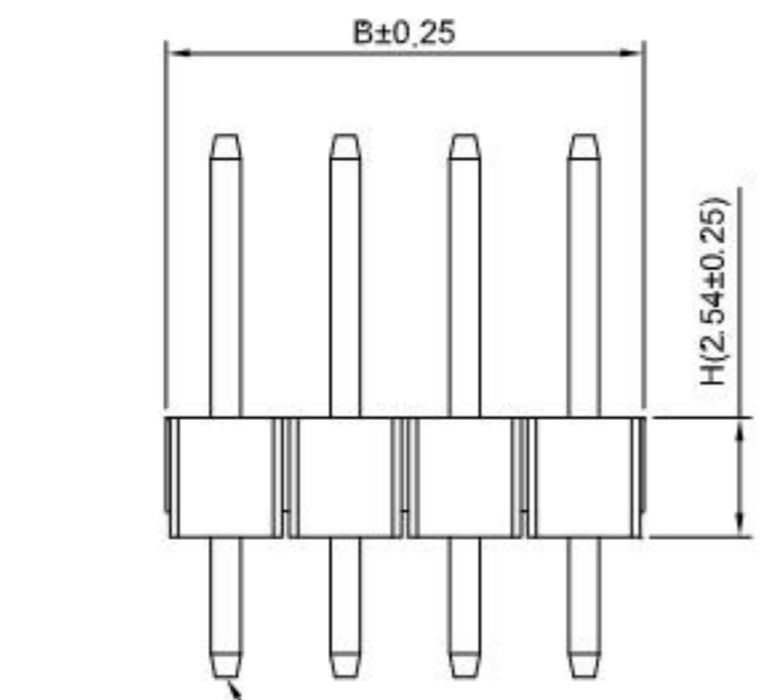
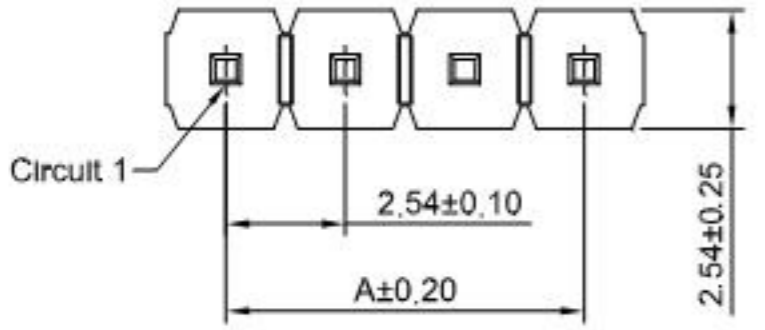
- Part No.
- Size(H):  
 (blank): 2.54mm  
 H15: 1.50mm  
 H17: 1.70mm  
 H20: 2.00mm  
 H30: 3.00mm
- Style:  
 (blank): Type 1  
 K: Type 2
- Material:  
 (blank): PBT,UL94V-0  
 GN: PBT,UL94V-0 (Green)  
 NAT: PBT,UL94V-0 (Natural)  
 6T: Nylon 6T,UL94V-0  
 GWT: Nylon 6T,UL94V-0,GWT 750°C
- Finish:  
 (blank): Gold over Nickel  
 G10: Gold over Nickel(Au:10u")  
 G15: Gold over Nickel(Au:15u")  
 G30: Gold over Nickel(Au:30u")  
 T: Tin over Nickel



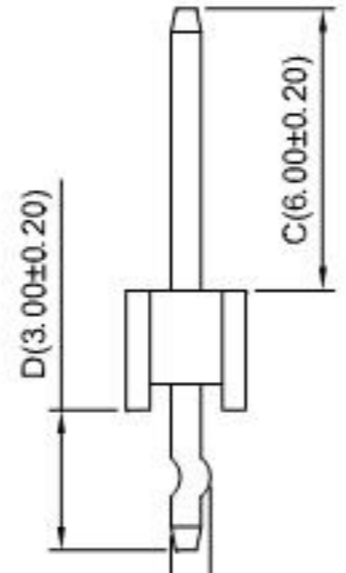
**SPECIFICATIONS:**  
 Current Rating: 3A AC,DC  
 Voltage Rating: 250V AC,DC  
 Temperature Range: -25°C ~ +85°C  
 Contact Resistance: 20mΩ Max  
 Insulation Resistance: 1000MΩ Min  
 Withstanding Voltage: 1500V AC/minute  
 Pin Material: Brass/Gold over Nickel  
 Material: PBT,UL94V-0 (Black)

Ordering Information & Dimensions

Circuits	Dimensions (mm)		Circuits	Dimensions (mm)		Circuits	Dimensions (mm)	
	A	B		A	B		A	B
1P	---	2.54	15P	35.56	38.10	29P	71.12	73.66
2P	2.54	5.08	16P	38.10	40.64	30P	73.66	76.20
3P	5.08	7.62	17P	40.64	43.18	31P	76.20	78.74
4P	7.62	10.16	18P	43.18	45.72	32P	78.74	81.28
5P	10.16	12.70	19P	45.72	48.26	33P	81.28	83.82
6P	12.70	15.24	20P	48.26	50.80	34P	83.82	86.36
7P	15.24	17.78	21P	50.80	53.34	35P	86.36	88.90
8P	17.78	20.32	22P	53.34	55.88	36P	88.90	91.44
9P	20.32	22.86	23P	55.88	58.42	37P	91.44	93.98
10P	22.86	25.40	24P	58.42	60.96	38P	93.98	96.52
11P	25.40	27.94	25P	60.96	63.50	39P	96.52	99.06
12P	27.94	30.48	26P	63.50	66.04	40P	99.06	101.60
13P	30.48	33.02	27P	66.04	68.58			
14P	33.02	35.56	28P	68.58	71.12			



Type 1



Type 2

**HDGC** 深圳市华德共创科技有限公司  
 Shenzhen Huade co-create Technology Co., LTD  
 TEL: 0755-27129737 FAX: 0755-29940187

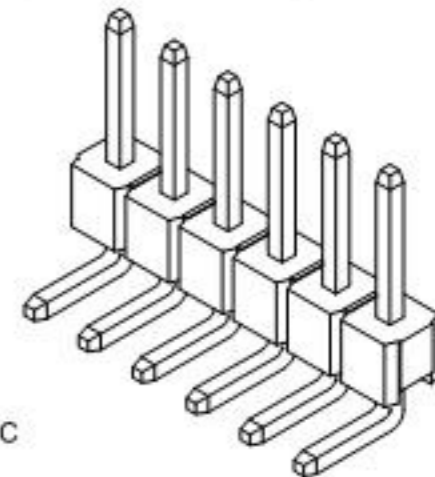
-TOLERANCES- UNLESS OTHERWISE SPECIFIED 公差参数表					TITLE: 2.54mm Pitch 产品名称: 180° Pin Header			
X.X	±0.30	X.X°	±3°	APPD: 核准:	XIE		PART NO: 产品编号: HDGC2541WV-XP	
X.XX	±0.30	X.XX°	±2°	CHECK: 校对:	WANG		DATE	SCALE
X.XXX	±0.10	X.XXX°	±1°	DRAW: 绘图:	WANG		2012-12-10	5:1
							UNIT	CODE NUMBER
							mm	A008

修订 REV	标记 MARK	修改摘要 REVISION DESCRIPTION	签名 SIGNATURE	日期 DATE
A0		NEW RELEASE	WANG	2012-12-10

**Ordering Information:**

HDGC2541WR-XP -  $\frac{---}{1}$  -  $\frac{---}{2}$  -  $\frac{---}{3}$  -  $\frac{---}{4}$

- Part No.
- Size(H):  
 (blank): 2.54mm  
 H15: 1.50mm  
 H17: 1.70mm  
 H20: 2.00mm  
 H30: 3.00mm
- Finish:  
 (blank): Gold over Nickel  
 T: Tin over Nickel
- Material:  
 (blank): PBT,UL94V-0  
 6T: Nylon 6T,UL94V-0  
 GWT: Nylon 6T,UL94V-0,GWT 750°C

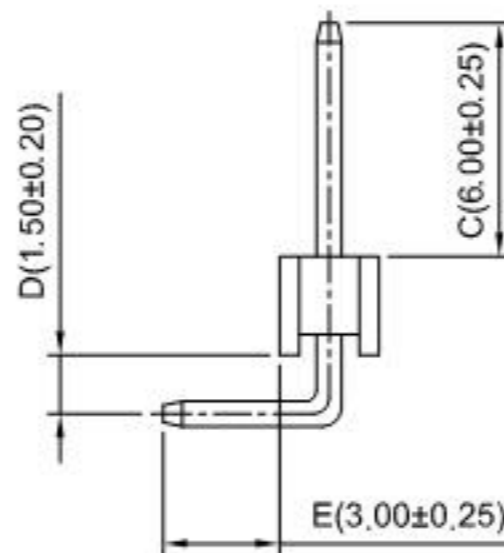
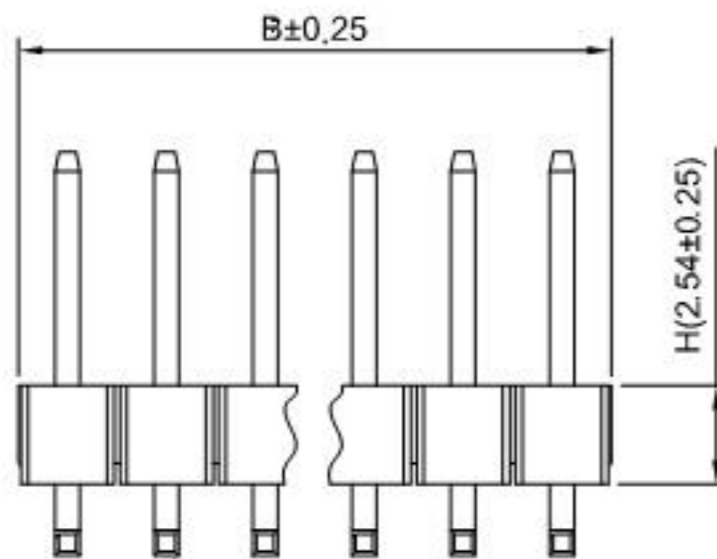
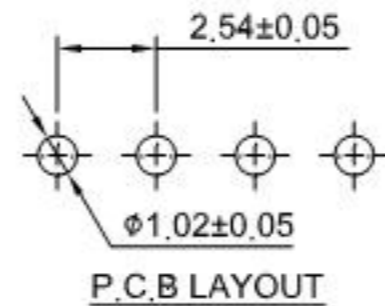
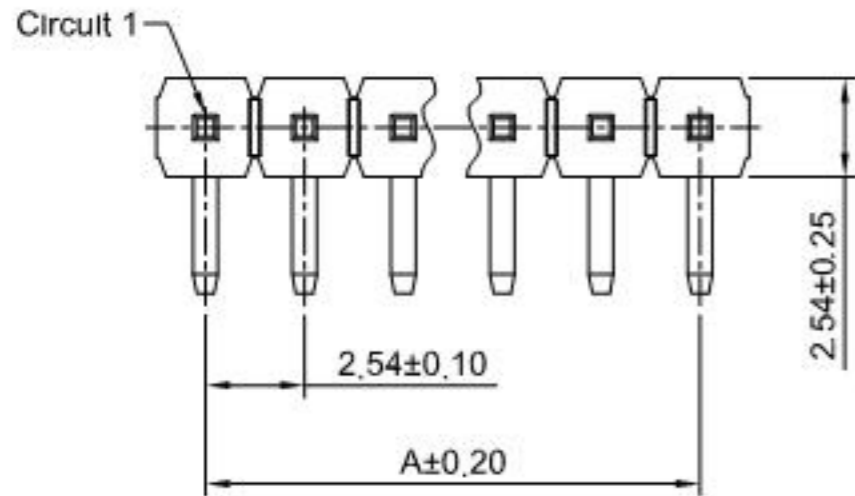


**SPECIFICATIONS:**

Current Rating: 3A AC,DC  
 Voltage Rating: 250V AC,DC  
 Temperature Range: -25°C ~ +85°C  
 Contact Resistance: 20mΩ Max  
 Insulation Resistance: 1000MΩ Min  
 Withstanding Voltage: 1500V AC/minute  
 Pin Material: Brass/Gold over Nickel  
 Material: PBT,UL94V-0(Black)

**Ordering Information & Dimensions**

Circuits	Dim(mm)		Circuits	Dim(mm)		Circuits	Dim(mm)	
	A	B		A	B		A	B
2P	2.54	5.08	15P	35.56	38.10	28P	68.58	71.12
3P	5.08	7.62	16P	38.10	40.64	29P	71.12	73.66
4P	7.62	10.16	17P	40.64	43.18	30P	73.66	76.20
5P	10.16	12.70	18P	43.18	45.72	31P	76.20	78.74
6P	12.70	15.24	19P	45.72	48.26	32P	78.74	81.28
7P	15.24	17.78	20P	48.26	50.80	33P	81.28	83.82
8P	17.78	20.32	21P	50.80	53.34	34P	83.82	86.36
9P	20.32	22.86	22P	53.34	55.88	35P	86.36	88.90
10P	22.86	25.40	23P	55.88	58.42	36P	88.90	91.44
11P	25.40	27.94	24P	58.42	60.96	37P	91.44	93.98
12P	27.94	30.48	25P	60.96	63.50	38P	93.98	96.52
13P	30.48	33.02	26P	63.50	66.04	39P	96.52	99.06
14P	33.02	35.56	27P	66.04	68.58	40P	99.06	101.60



PIN 0.64 SQ



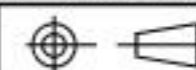
深圳市华德共创科技有限公司

Shenzhen Huade co-create Technology Co., LTD

TEL: 0755-27129737 FAX: 0755-29940187

-TOLERANCES-  
UNLESS OTHERWISE SPECIFIED  
公差参数表

X.X	±0.30	X.X°	±3°
X.XX	±0.30	X.XX°	±2°
X.XXX	±0.10	X.XXX°	±1°



TITLE: 2.54mm Pitch  
产品名称: 90° Pin Header

PART NO: HDGC2541WR-XP  
产品编号:

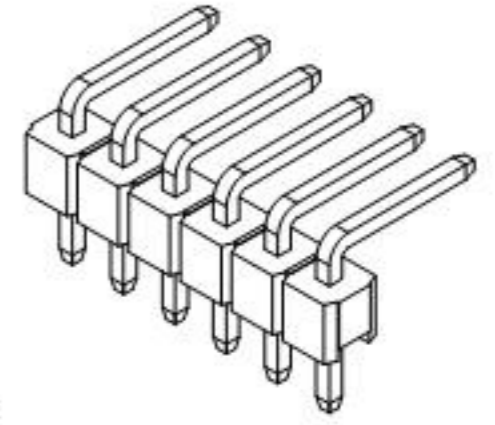
DATE	SCALE	UNIT	CODE NUMBER
2012-12-10	4:1	mm	A008

APPD: 核准: XIE  
CHECK: 校对: WANG  
DRAW: 绘图: WANG

修订 REV	标记 MARK	修改摘要 REVISION DESCRIPTION	签名 SIGNATURE	日期 DATE
A0		NEW RELEASE	WANG	2012-12-10

Ordering Information:  
 HDGC2541WRA-XP - <sup>\*\*\*</sup> - <sup>\*\*\*</sup> - <sup>\*\*\*</sup> - <sup>\*\*\*</sup>  
 1 2 3 4

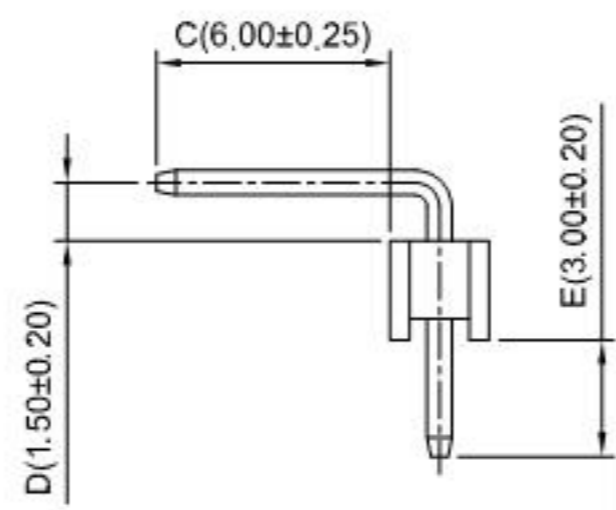
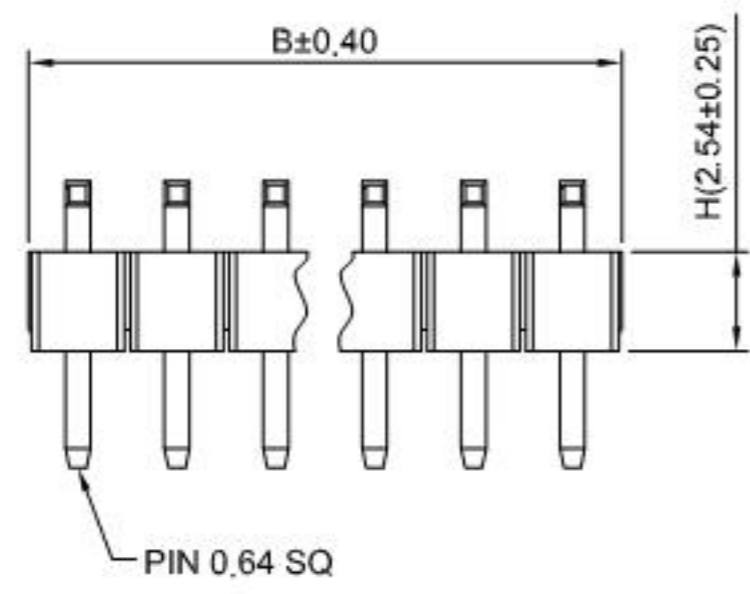
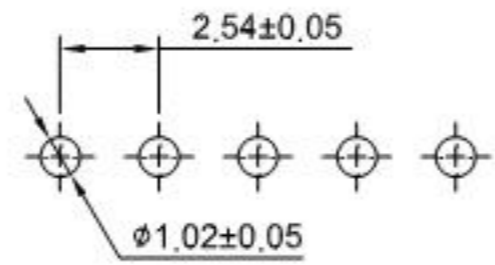
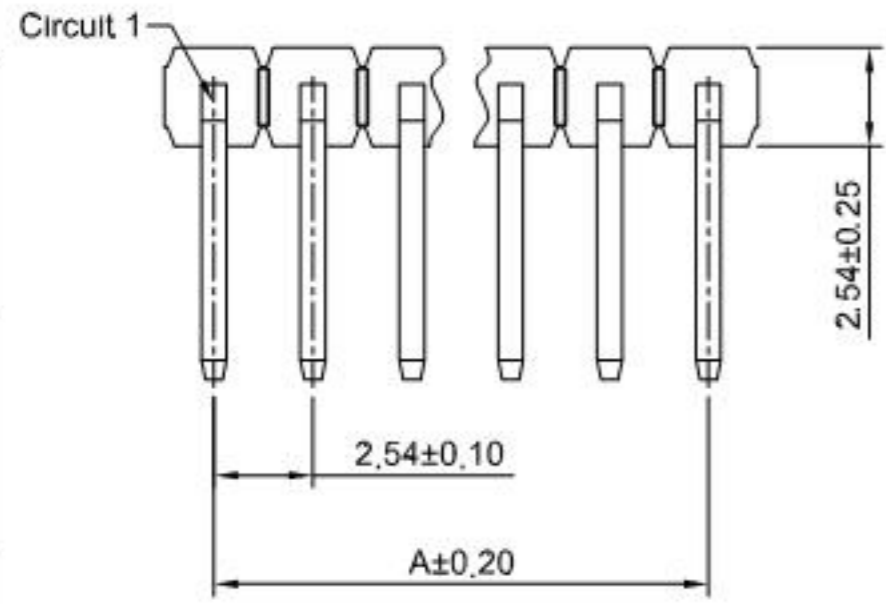
- Part No.
- Size(H):  
 (blank): 2.54mm  
 H15: 1.50mm  
 H17: 1.70mm  
 H20: 2.00mm  
 H30: 3.00mm
- Finish:  
 (blank): Gold over Nickel  
 T: Tin over Nickel
- Material:  
 (blank): PBT,UL94V-0  
 6T: Nylon 6T,UL94V-0  
 GWT: Nylon 6T,UL94V-0,GWT 750°C



**SPECIFICATIONS:**  
 Current Rating: 3A AC,DC  
 Voltage Rating: 250V AC,DC  
 Temperature Range: -25°C ~ +85°C  
 Contact Resistance: 20mΩ Max  
 Insulation Resistance: 1000MΩ Min  
 Withstanding Voltage: 1500V AC/minute  
 Pin Material: Brass/Gold over Nickel  
 Material: PBT,UL94V-0(Black)

Ordering Information & Dimensions

Circuits	Dimensions (mm)		Circuits	Dimensions (mm)		Circuits	Dimensions (mm)	
	A	B		A	B		A	B
2P	2.54	5.08	15P	35.56	38.10	28P	68.58	71.12
3P	5.08	7.62	16P	38.10	40.64	29P	71.12	73.66
4P	7.62	10.16	17P	40.64	43.18	30P	73.66	76.20
5P	10.16	12.70	18P	43.18	45.72	31P	76.20	78.74
6P	12.70	15.24	19P	45.72	48.26	32P	78.74	81.28
7P	15.24	17.78	20P	48.26	50.80	33P	81.28	83.82
8P	17.78	20.32	21P	50.80	53.34	34P	83.82	86.36
9P	20.32	22.86	22P	53.34	55.88	35P	86.36	88.90
10P	22.86	25.40	23P	55.88	58.42	36P	88.90	91.44
11P	25.40	27.94	24P	58.42	60.96	37P	91.44	93.98
12P	27.94	30.48	25P	60.96	63.50	38P	93.98	96.52
13P	30.48	33.02	26P	63.50	66.04	39P	96.52	99.06
14P	33.02	35.56	27P	66.04	68.58	40P	99.06	101.60



深圳市华德共创科技有限公司  
 Shenzhen Huade co-create Technology Co., LTD  
 TEL: 0755-27129737 FAX: 0755-29940187

TITLE: 2.54mm Pitch  
 产品名称: 90° Pin Header

PART NO: HDGC2541WRA-XP  
 产品编号:

-TOLERANCES- UNLESS OTHERWISE SPECIFIED 公差参数表				TITLE: 2.54mm Pitch 产品名称: 90° Pin Header	
X.X	±0.30	X.X°	±3°	APPD: 核准:	XIE
X.XX	±0.30	X.XX°	±2°	CHECK: 校对:	WANG
X.XXX	±0.10	X.XXX°	±1°	DRAW: 绘图:	WANG
		DATE	SCALE	UNIT	CODE NUMBER
		2012-12-10	4:1	mm	A008

修订 REV	标记 MARK	修改摘要 REVISION DESCRIPTION	签名 SIGNATURE	日期 DATE
A0		NEW RELEASE	WANG	2012-12-10

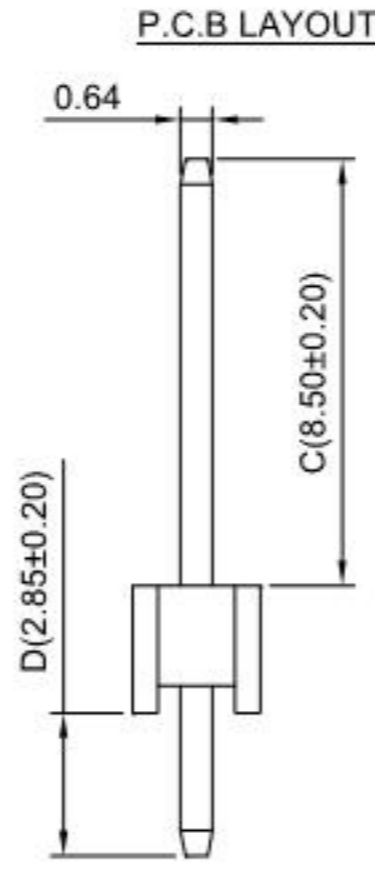
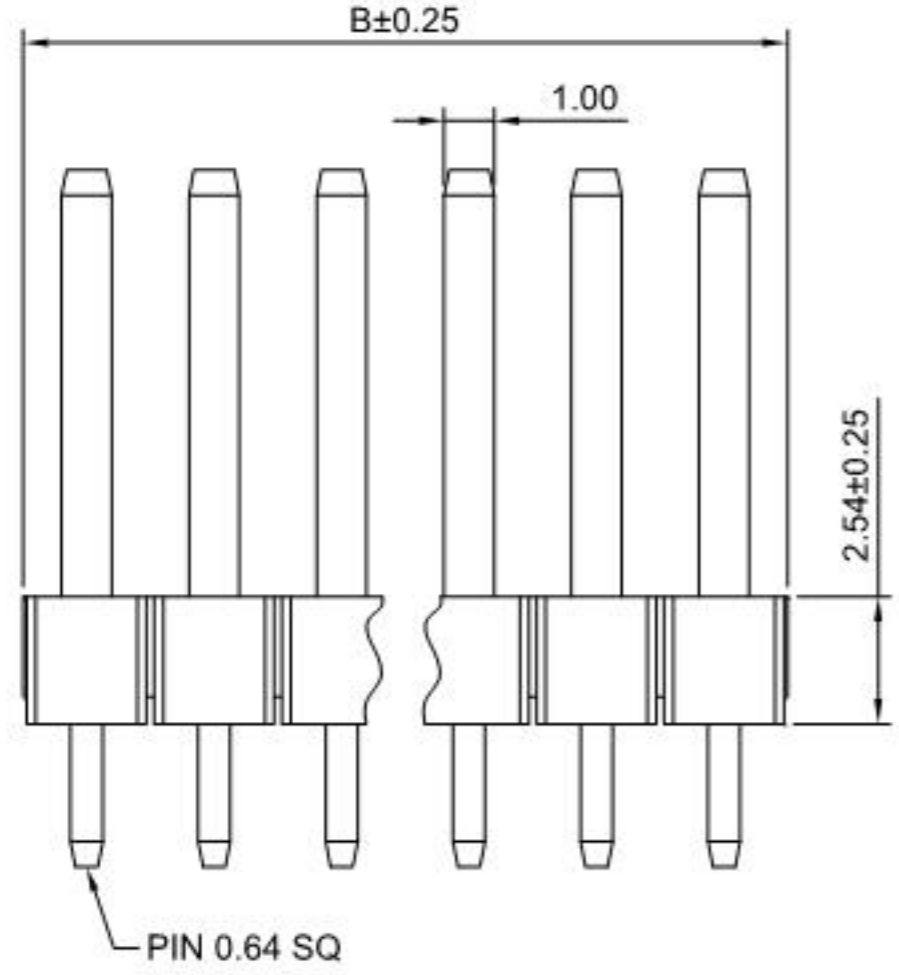
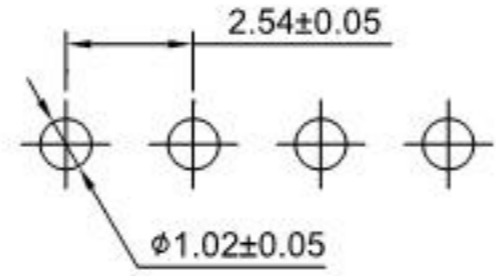
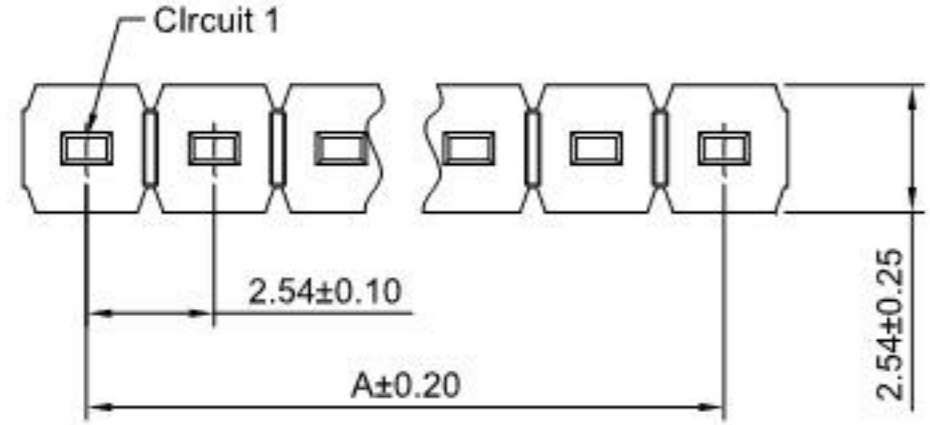
Ordering Information:  
**HDGC2541WVB-XP** -  $\frac{+}{-}$   $\frac{+}{-}$   $\frac{+}{-}$   
 1 2 3

- 1.Part No.
- 2.Finish:  
 (blank): Gold over Nickel  
 T: Tin over Nickel
- 3.Material:  
 (blank): PBT,UL94V-0  
 6T: Nylon 6T,UL94V-0  
 GWT: Nylon 6T,UL94V-0,GWT 750°C

**SPECIFICATIONS:**  
 Current Rating: 3A AC,DC  
 Voltage Rating: 250V AC,DC  
 Temperature Range: -25°C ~ +85°C  
 Contact Resistance: 20mΩ Max  
 Insulation Resistance: 1000MΩ Min  
 Withstanding Voltage: 1500V AC/minute  
 Pin Material:Brass/Gold over Nickel  
 Material:PBT,UL94V-0 (Black)

Ordering Information & Dimensions

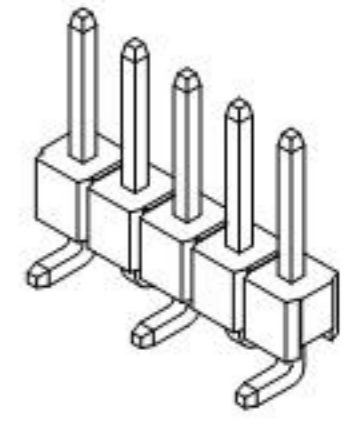
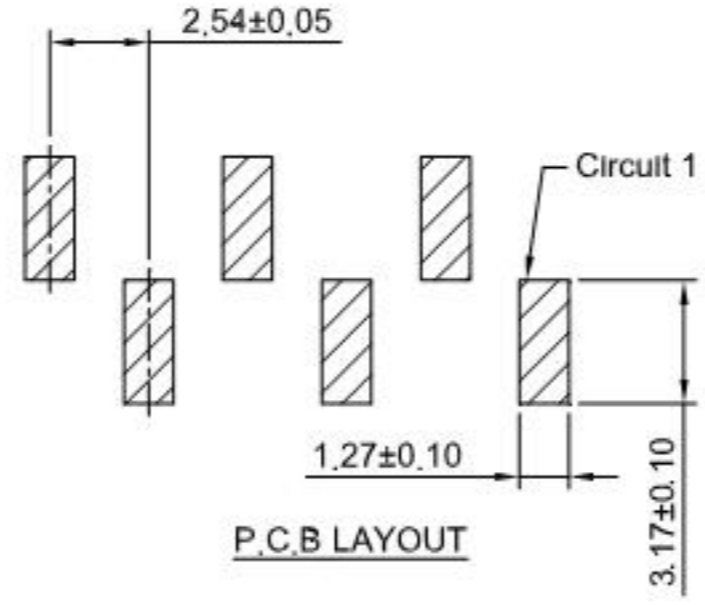
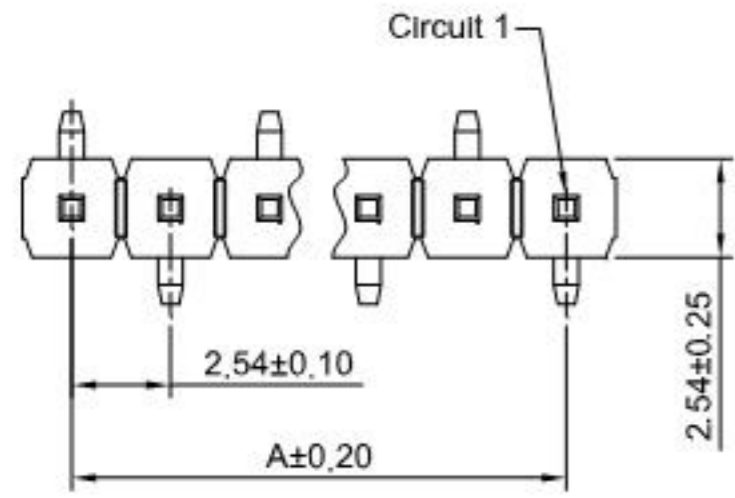
Circuits	Dim(mm)		Circuits	Dim(mm)		Circuits	Dim(mm)	
	A	B		A	B		A	B
2P	2.54	5.08	15P	35.56	38.10	28P	68.58	71.12
3P	5.08	7.62	16P	38.10	40.64	29P	71.12	73.66
4P	7.62	10.16	17P	40.64	43.18	30P	73.66	76.20
5P	10.16	12.70	18P	43.18	45.72	31P	76.20	78.74
6P	12.70	15.24	19P	45.72	48.26	32P	78.74	81.28
7P	15.24	17.78	20P	48.26	50.80	33P	81.28	83.82
8P	17.78	20.32	21P	50.80	53.34	34P	83.82	86.36
9P	20.32	22.86	22P	53.34	55.88	35P	86.36	88.90
10P	22.86	25.40	23P	55.88	58.42	36P	88.90	91.44
11P	25.40	27.94	24P	58.42	60.96	37P	91.44	93.98
12P	27.94	30.48	25P	60.96	63.50	38P	93.98	96.52
13P	30.48	33.02	26P	63.50	66.04	39P	96.52	99.06
14P	33.02	35.56	27P	66.04	68.58	40P	99.06	101.60



**HDGC** 深圳市华德共创科技有限公司  
 Shenzhen Huade co-create Technology Co., LTD  
 TEL: 0755-27129737 FAX: 0755-29940187

-TOLERANCES- UNLESS OTHERWISE SPECIFIED 公差参数表				TITLE: 2.54mm Pitch 产品名称: 180° Pin Header	
X.X	±0.30	X.X°	±3°	APPD: 核准:	XIE
X.XX	±0.30	X.XX°	±2°	CHECK: 校对:	WANG
X.XXX	±0.10	X.XXX°	±1°	DRAW: 绘图:	WANG
PART NO: 产品编号:			HDGC2541WVB-XP	DATE	2012-12-10
SCALE			5:1	UNIT	mm
CODE NUMBER			A008		

修订 REV	标记 MARK	修改摘要 REVISION DESCRIPTION	签名 SIGNATURE	日期 DATE
A0		NEW RELEASE	WANG	2012-12-10

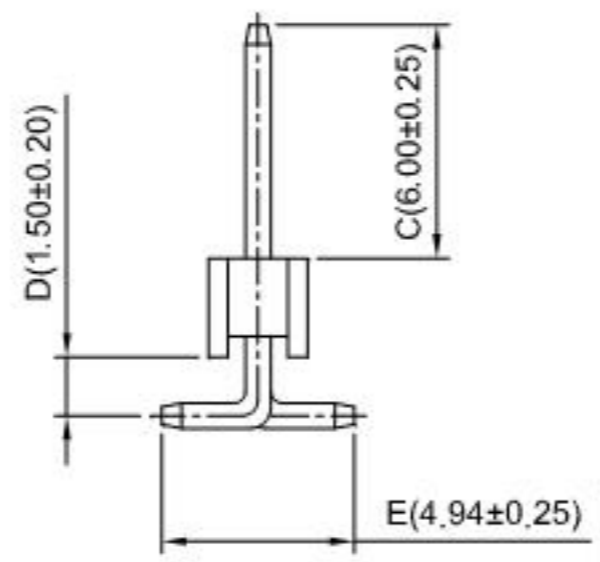
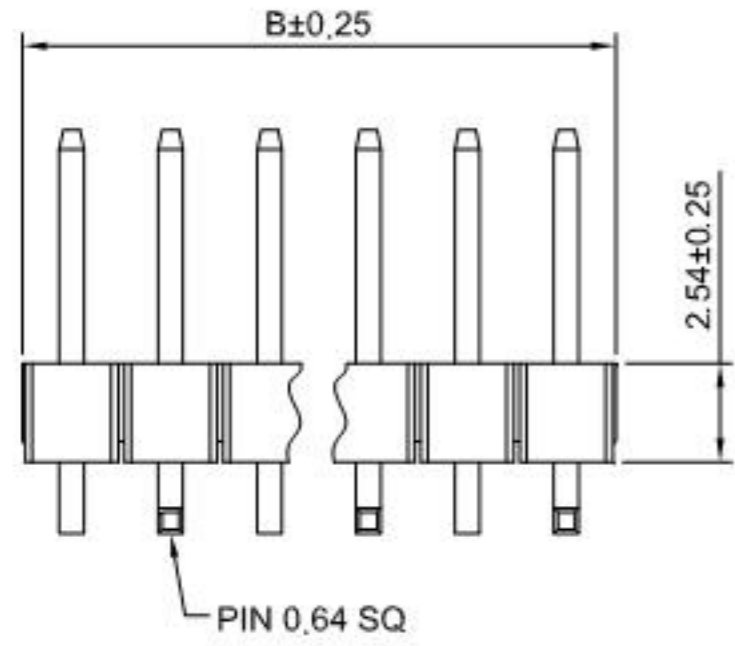


**SPECIFICATIONS:**

Current Rating: 3A AC,DC  
Voltage Rating: 250V AC,DC  
Temperature Range: -25°C ~ +85°C  
Contact Resistance: 20mΩ Max  
Insulation Resistance: 1000MΩ Min  
Withstanding Voltage: 1500V AC/minute  
Pin Material: Brass/Gold over Nickel  
Material: Nylon 6T, UL94V-0(Black)

**Ordering Information & Dimensions**

Circuits	Dim(mm)		Circuits	Dim(mm)		Circuits	Dim(mm)	
	A	B		A	B		A	B
2P	2.54	5.08	15P	35.56	38.10	28P	68.58	71.12
3P	5.08	7.62	16P	38.10	40.64	29P	71.12	73.66
4P	7.62	10.16	17P	40.64	43.18	30P	73.66	76.20
5P	10.16	12.70	18P	43.18	45.72	31P	76.20	78.74
6P	12.70	15.24	19P	45.72	48.26	32P	78.74	81.28
7P	15.24	17.78	20P	48.26	50.80	33P	81.28	83.82
8P	17.78	20.32	21P	50.80	53.34	34P	83.82	86.36
9P	20.32	22.86	22P	53.34	55.88	35P	86.36	88.90
10P	22.86	25.40	23P	55.88	58.42	36P	88.90	91.44
11P	25.40	27.94	24P	58.42	60.96	37P	91.44	93.98
12P	27.94	30.48	25P	60.96	63.50	38P	93.98	96.52
13P	30.48	33.02	26P	63.50	66.04	39P	96.52	99.06
14P	33.02	35.56	27P	66.04	68.58	40P	99.06	101.60

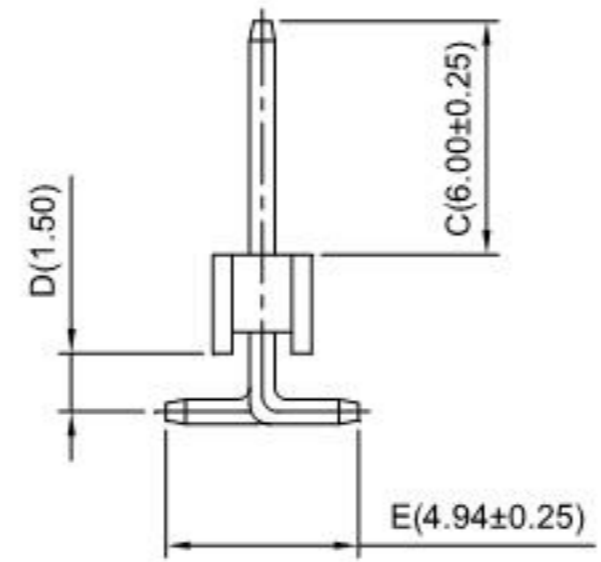
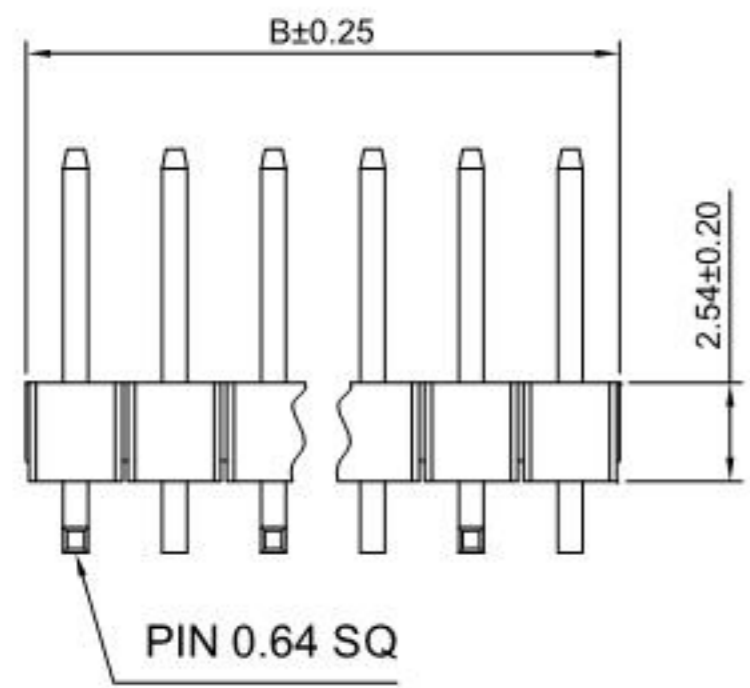
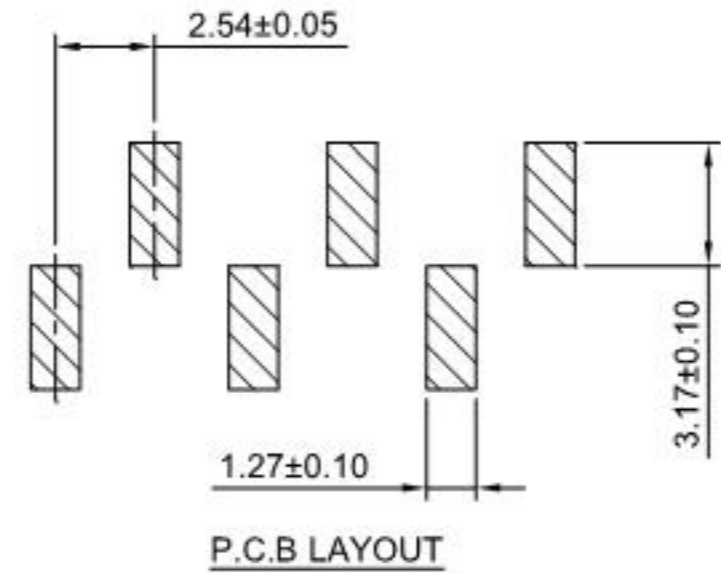
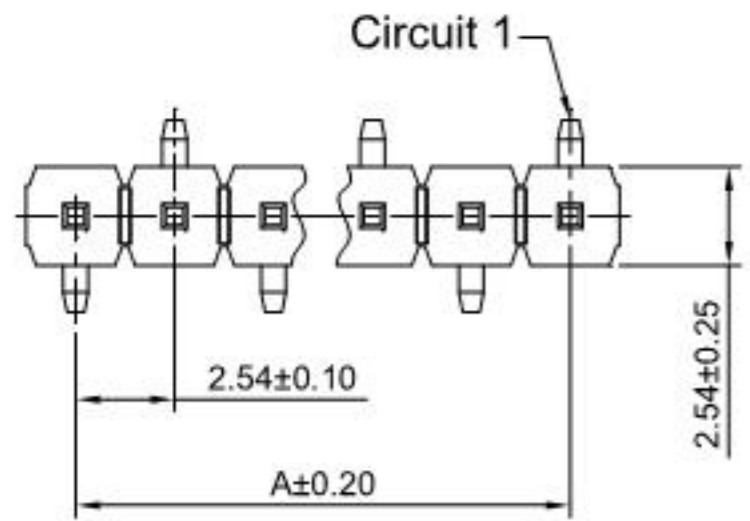


**深圳市华德共创科技有限公司**

Shenzhen Huade co-create Technology Co., LTD  
TEL: 0755-27129737 FAX: 0755-29940187

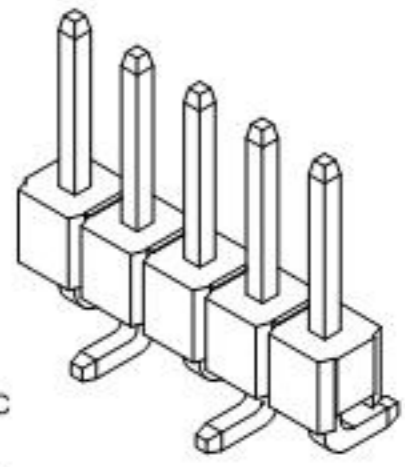
-TOLERANCES- UNLESS OTHERWISE SPECIFIED 公差参数表				TITLE: 2.54mm Pitch 产品名称: 180° Pin Header	
X.X	±0.30	X.X°	±3°	APPD: 核准:	XIE
X.XX	±0.30	X.XX°	±2°	CHECK: 校对:	WANG
X.XXX	±0.10	X.XXX°	±1°	DRAW: 绘图:	WANG
PART NO: 产品编号:		HDGC2541WV-S-XP-A		DATE	2012-12-10
SCALE		4:1	UNIT	mm	CODE NUMBER
					A008

修订 REV	标记 MARK	修改摘要 REVISION DESCRIPTION	签名 SIGNATURE	日期 DATE
A0		NEW RELEASE	WANG	2012-12-10



**SPECIFICATIONS:**

Current Rating: 3A AC,DC  
Voltage Rating: 250V AC,DC  
Temperature Range: -25°C ~ +85°C  
Contact Resistance: 20mΩ Max  
Insulation Resistance: 1000MΩ Min  
Withstanding Voltage: 1500V AC/minute  
Pin Material: Brass/Gold over Nickel  
Material: Nylon 6T, UL94V-0(Black)



**Ordering Information & Dimensions**

Circuits	Dim(mm)		Circuits	Dim(mm)		Circuits	Dim(mm)	
	A	B		A	B		A	B
2P	2.54	5.08	15P	35.56	38.10	28P	68.58	71.12
3P	5.08	7.62	16P	38.10	40.64	29P	71.12	73.66
4P	7.62	10.16	17P	40.64	43.18	30P	73.66	76.20
5P	10.16	12.70	18P	43.18	45.72	31P	76.20	78.74
6P	12.70	15.24	19P	45.72	48.26	32P	78.74	81.28
7P	15.24	17.78	20P	48.26	50.80	33P	81.28	83.82
8P	17.78	20.32	21P	50.80	53.34	34P	83.82	86.36
9P	20.32	22.86	22P	53.34	55.88	35P	86.36	88.90
10P	22.86	25.40	23P	55.88	58.42	36P	88.90	91.44
11P	25.40	27.94	24P	58.42	60.96	37P	91.44	93.98
12P	27.94	30.48	25P	60.96	63.50	38P	93.98	96.52
13P	30.48	33.02	26P	63.50	66.04	39P	96.52	99.06
14P	33.02	35.56	27P	66.04	68.58	40P	99.06	101.60

**HDGC** 深圳市华德共创科技有限公司  
Shenzhen Huade co-create Technology Co., LTD  
TEL: 0755-27129737 FAX: 0755-29940187

-TOLERANCES- UNLESS OTHERWISE SPECIFIED 公差参数表				TITLE: 2.54mm Pitch 产品名称: 180° Pin Header	
X.X	±0.30	X.X°	±3°	APPD: 核准:	XIE
X.XX	±0.30	X.XX°	±2°	CHECK: 校对:	WANG
X.XXX	±0.10	X.XXX°	±1°	DRAW: 绘图:	WANG
PART NO: 产品编号:		HDGC2541WV-S-XP-B			
DATE	SCALE	UNIT	CODE NUMBER		
2012-12-10	4:1	mm	A008		

修订 REV	标记 MARK	修改摘要 REVISION DESCRIPTION	签名 SIGNATURE	日期 DATE
A0		NEW RELEASE	WANG	2014-07-10

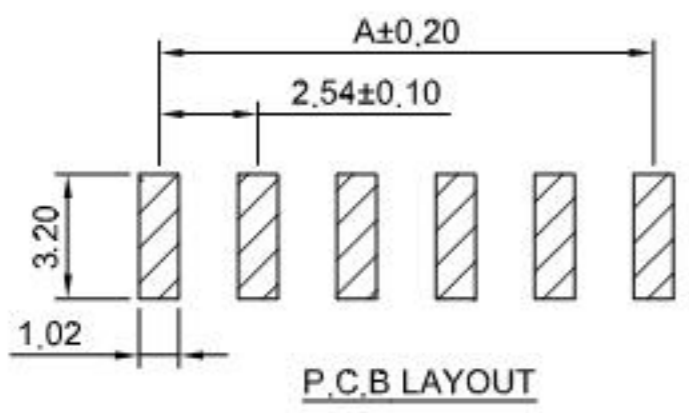
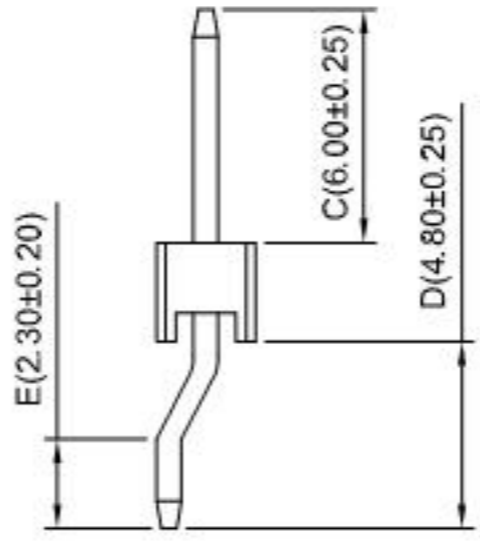
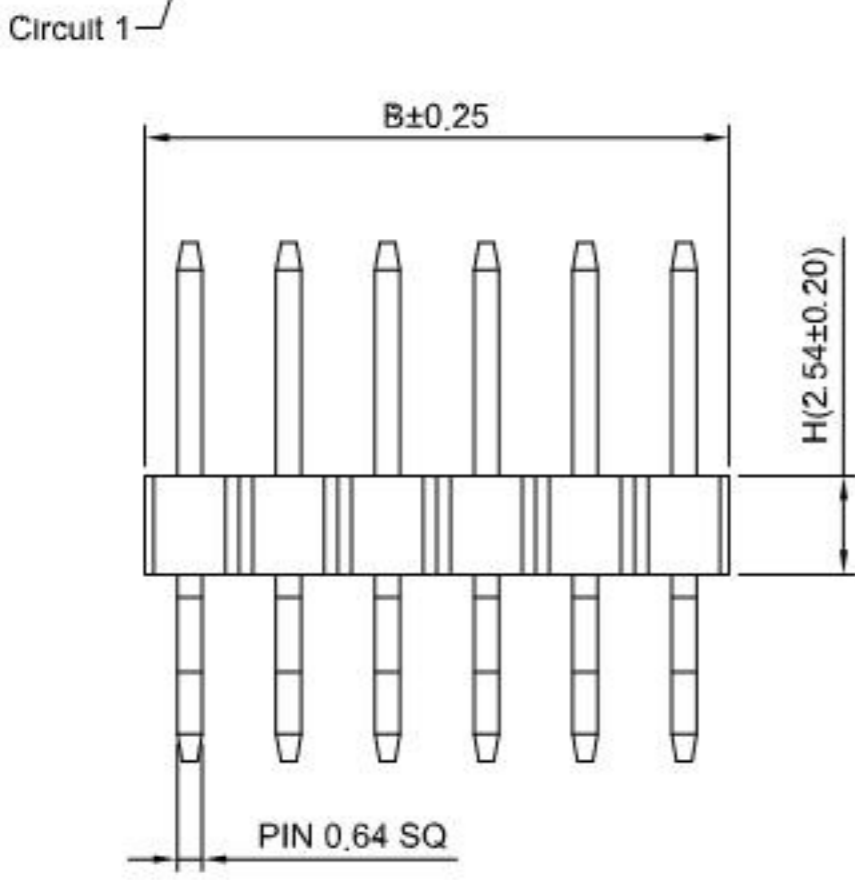
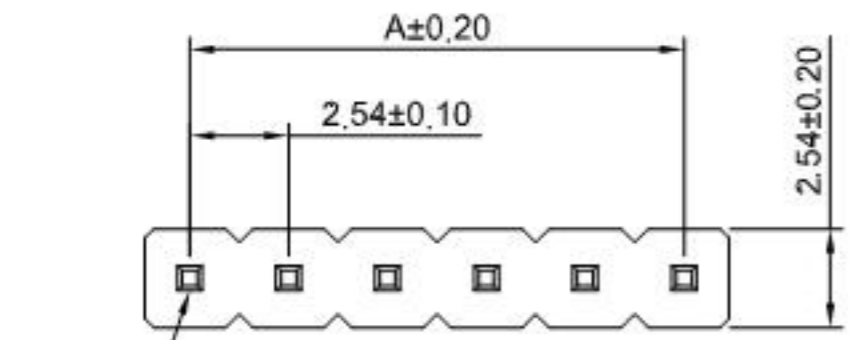
Ordering Information:  
 HDGC2541WR-S-XP -  $\frac{***}{1}$  -  $\frac{r}{2}$  -  $\frac{***}{3}$  -  $\frac{***}{4}$

- 1.Part No.
- 2.Size(H):  
 (blank): 2.54mm  
 H15: 1.50mm  
 H17: 1.70mm  
 H20: 2.00mm  
 H30: 3.00mm
- 3.Material:  
 (blank): Nylon 6T,UL94V-0  
 GWT: Nylon 6T,UL94V-0,GWT 750°C
- 4.Finish:  
 (blank): Gold over Nickel  
 T: Tin over Nickel

**SPECIFICATIONS:**  
 Current Rating: 3A AC,DC  
 Voltage Rating: 250V AC,DC  
 Temperature Range: -25°C ~ +85°C  
 Contact Resistance: 20mΩ Max  
 Insulation Resistance: 1000MΩ Min  
 Withstanding Voltage: 1500V AC/minute  
 Pin Material: Brass/Gold over Nickel  
 Material: Nylon 6T,UL94V-0(Black)

Ordering Information & Dimensions

Circuits	Dim(mm)		Circuits	Dim(mm)		Circuits	Dim(mm)	
	A	B		A	B		A	B
2P	2.54	5.08	15P	35.56	38.10	28P	68.58	71.12
3P	5.08	7.62	16P	38.10	40.64	29P	71.12	73.66
4P	7.62	10.16	17P	40.64	43.18	30P	73.66	76.20
5P	10.16	12.70	18P	43.18	45.72	31P	76.20	78.74
6P	12.70	15.24	19P	45.72	48.26	32P	78.74	81.28
7P	15.24	17.78	20P	48.26	50.80	33P	81.28	83.82
8P	17.78	20.32	21P	50.80	53.34	34P	83.82	86.36
9P	20.32	22.86	22P	53.34	55.88	35P	86.36	88.90
10P	22.86	25.40	23P	55.88	58.42	36P	88.90	91.44
11P	25.40	27.94	24P	58.42	60.96	37P	91.44	93.98
12P	27.94	30.48	25P	60.96	63.50	38P	93.98	96.52
13P	30.48	33.02	26P	63.50	66.04	39P	96.52	99.06
14P	33.02	35.56	27P	66.04	68.58	40P	99.06	101.60



**深圳市华德共创科技有限公司**  
 Shenzhen Huade co-create Technology Co., LTD  
 TEL: 0755-27129737 FAX: 0755-29940187

-TOLERANCES- UNLESS OTHERWISE SPECIFIED 公差参数表		TITLE: 2.54mm Pitch 产品名称: 90° Pin Header	
X.X	±0.30	X.X°	±3°
X.XX	±0.30	X.XX°	±2°
X.XXX	±0.10	X.XXX°	±1°

APPD: 核准:	XIE	PART NO: 产品编号:	HDGC2541WR-S-XP
CHECK: 校对:	WANG	DATE	SCALE
DRAW: 绘图:	WANG	2014-07-10	4:1
		UNIT	CODE NUMBER
		mm	A008

修订 REV	标记 MARK	修改摘要 REVISION DESCRIPTION	签名 SIGNATURE	日期 DATE
A0		NEW RELEASE	WANG	2014-07-10

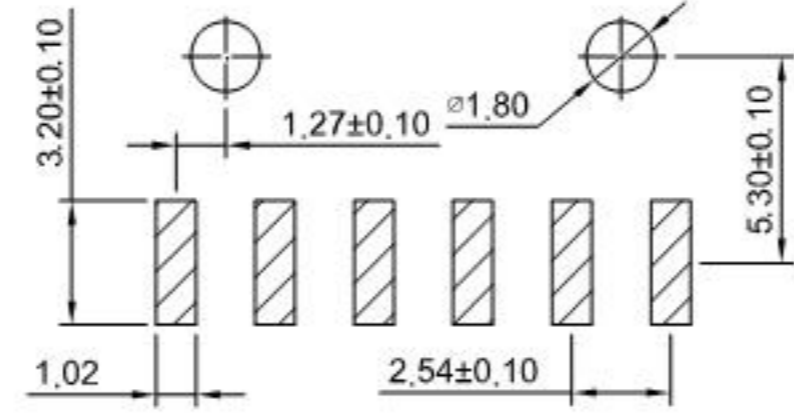
Ordering Information:  
 HDGC2541WR-S-F-XP -  $\frac{xxx}{1}$  -  $\frac{x}{2}$  -  $\frac{x}{3}$  -  $\frac{xxx}{4}$

- Part No.
- Size(H):  
 (blank): 2.54mm  
 H15: 1.50mm  
 H17: 1.70mm  
 H20: 2.00mm  
 H30: 3.00mm
- Finish:  
 (blank): Gold over Nickel  
 T: Tin over Nickel
- Material:  
 (blank): Nylon 6T,UL94V-0  
 GWT: Nylon 6T,UL94V-0,GWT 750°C

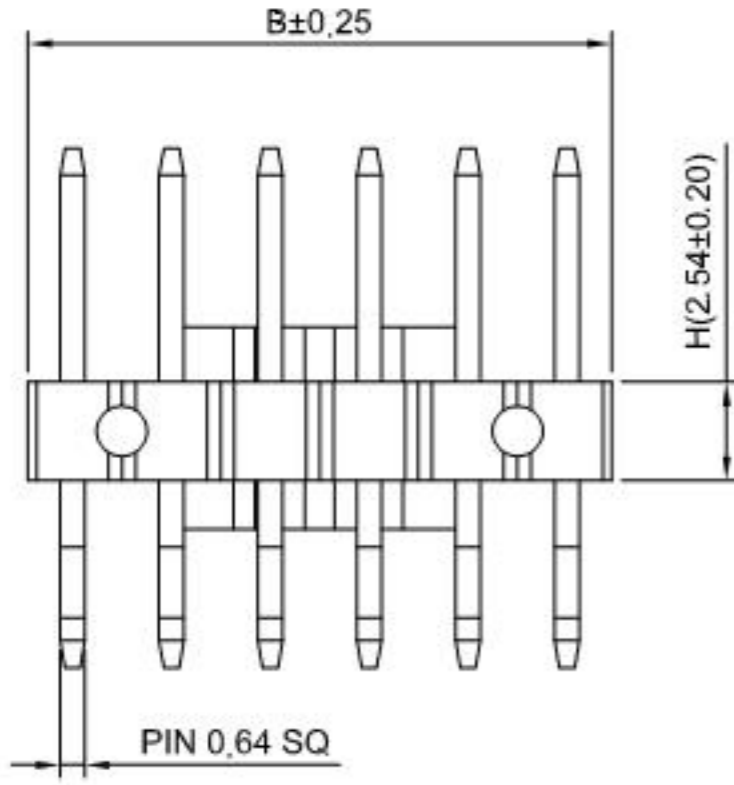
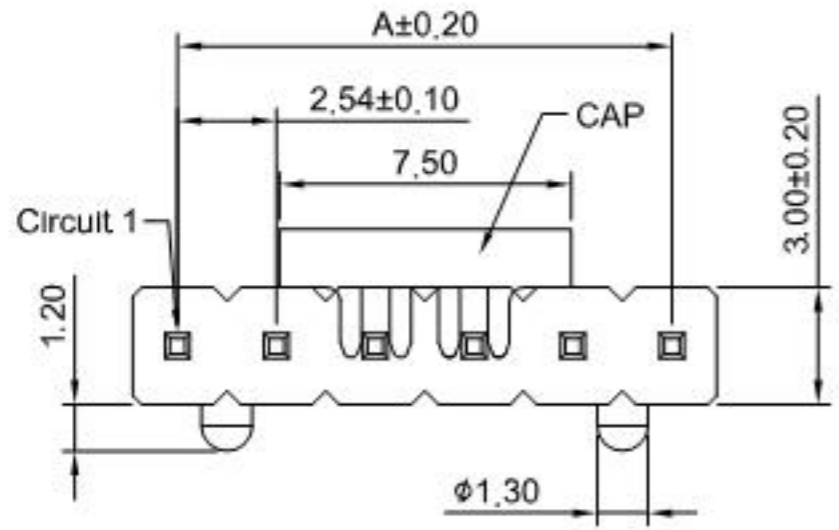
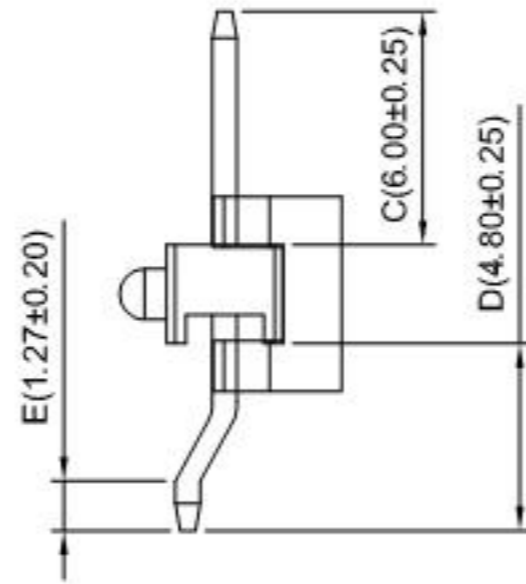
**SPECIFICATIONS:**  
 Current Rating: 3A AC,DC  
 Voltage Rating: 250V AC,DC  
 Temperature Range: -25°C ~ +85°C  
 Contact Resistance: 20mΩ Max  
 Insulation Resistance: 1000MΩ Min  
 Withstanding Voltage: 1500V AC/minute  
 Pin Material: Brass/Gold over Nickel  
 Material: Nylon 6T,UL94V-0(Black)

Ordering Information & Dimensions

Circuits	Dim(mm)		Circuits	Dim(mm)		Circuits	Dim(mm)	
	A	B		A	B		A	B
2P	2.54	5.08	15P	35.56	38.10	28P	68.58	71.12
3P	5.08	7.62	16P	38.10	40.64	29P	71.12	73.66
4P	7.62	10.16	17P	40.64	43.18	30P	73.66	76.20
5P	10.16	12.70	18P	43.18	45.72	31P	76.20	78.74
6P	12.70	15.24	19P	45.72	48.26	32P	78.74	81.28
7P	15.24	17.78	20P	48.26	50.80	33P	81.28	83.82
8P	17.78	20.32	21P	50.80	53.34	34P	83.82	86.36
9P	20.32	22.86	22P	53.34	55.88	35P	86.36	88.90
10P	22.86	25.40	23P	55.88	58.42	36P	88.90	91.44
11P	25.40	27.94	24P	58.42	60.96	37P	91.44	93.98
12P	27.94	30.48	25P	60.96	63.50	38P	93.98	96.52
13P	30.48	33.02	26P	63.50	66.04	39P	96.52	99.06
14P	33.02	35.56	27P	66.04	68.58	40P	99.06	101.60



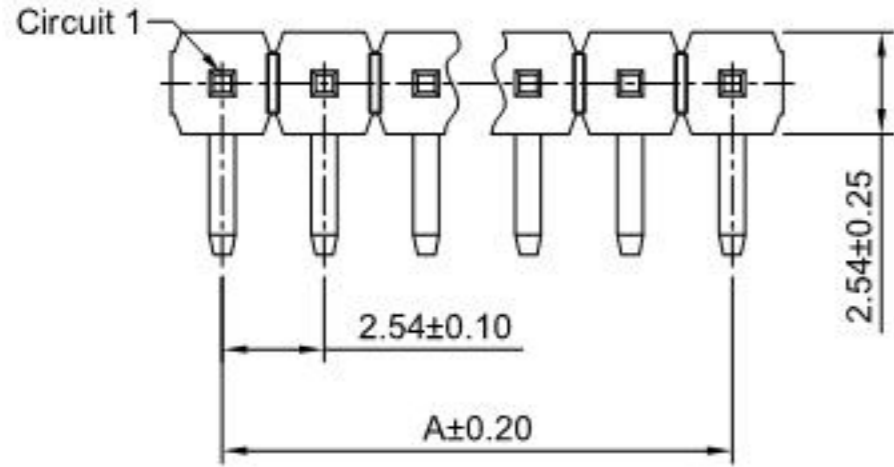
P.C.B LAYOUT



**HDGC** 深圳市华德共创科技有限公司  
 Shenzhen Huade co-create Technology Co., LTD  
 TEL: 0755-27129737 FAX: 0755-29940187

-TOLERANCES- UNLESS OTHERWISE SPECIFIED 公差参数表				TITLE: 2.54mm Pitch 产品名称: 90° Pin Header	
X.X	±0.30	X.X°	±3°	APPD: 核准:	XIE
X.XX	±0.30	X.XX°	±2°	CHECK: 校对:	WANG
X.XXX	±0.10	X.XXX°	±1°	DRAW: 绘图:	WANG
PART NO: 产品编号: HDGC2541WR-S-F-XP			DATE	SCALE	UNIT
			2014-07-10	4:1	mm
			CODE NUMBER: A008		

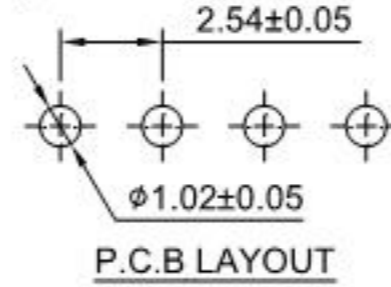
修订 REV	标记 MARK	修改摘要 REVISION DESCRIPTION	签名 SIGNATURE	日期 DATE
A0		NEW RELEASE	WANG	2014-07-10



**Ordering Information:**

HDGC2541WRA-XP-D -  $\frac{***}{1} - \frac{*}{2} - \frac{***}{3} - \frac{***}{4}$

- Part No.
- Size(H):  
 (blank): 2.54mm  
 H15: 1.50mm  
 H17: 1.70mm  
 H20: 2.00mm  
 H30: 3.00mm
- Finish:  
 (blank): Gold over Nickel  
 T: Tin over Nickel
- Material:  
 (blank): PBT,UL94V-0  
 6T: Nylon 6T,UL94V-0  
 GWT: Nylon 6T,UL94V-0,GWT 750°C

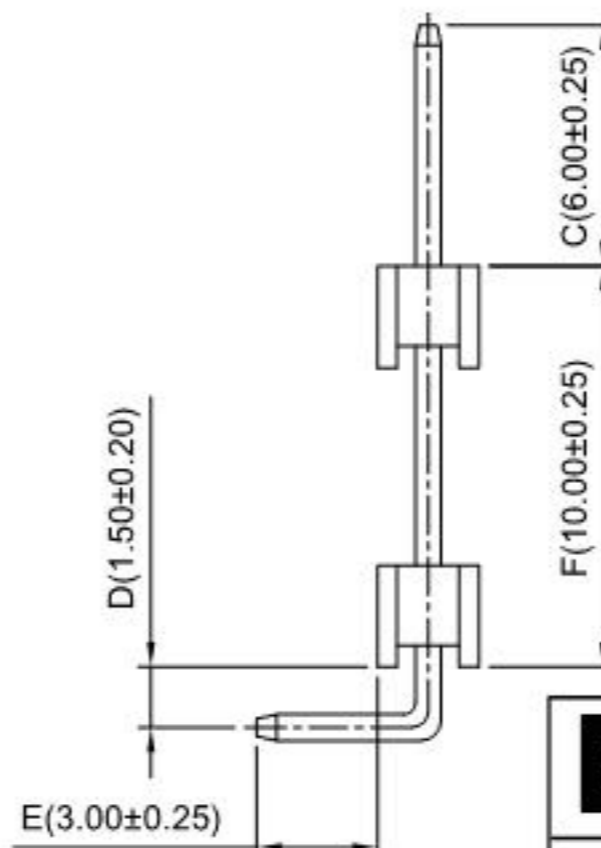
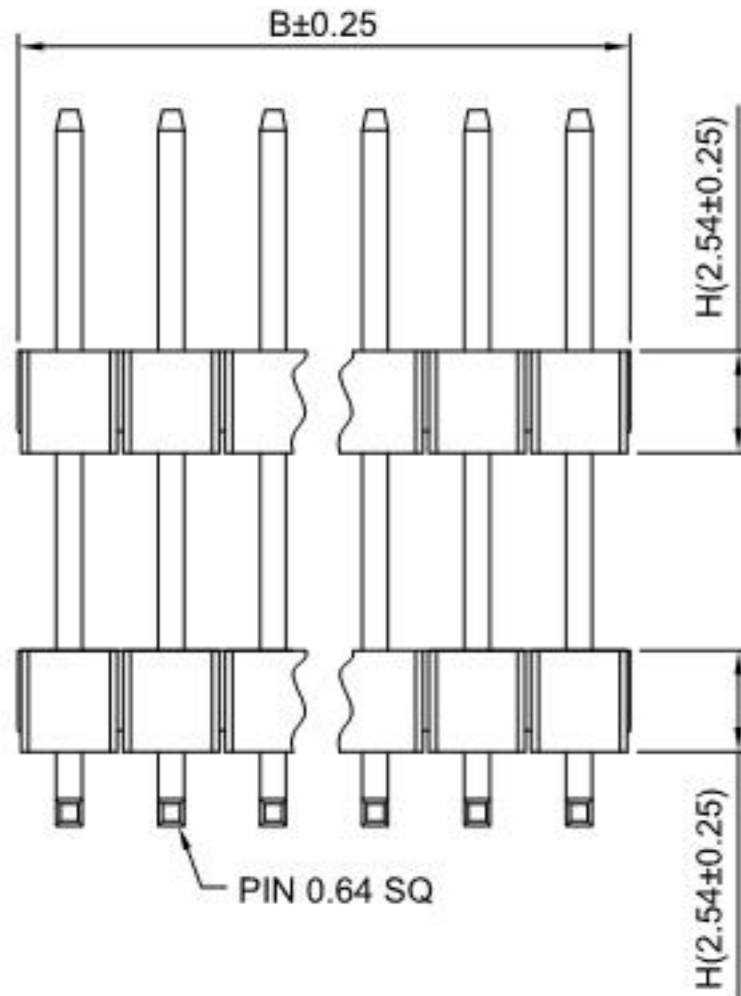


**SPECIFICATIONS:**

Current Rating: 3A AC,DC  
 Voltage Rating: 250V AC,DC  
 Temperature Range: -25°C ~ +85°C  
 Contact Resistance: 20mΩ Max  
 Insulation Resistance: 1000MΩ Min  
 Withstanding Voltage: 1500V AC/minute  
 Pin Material: Brass/Gold over Nickel  
 Material: PBT ,UL94V-0(Black)

**Ordering Information & Dimensions**

Circuits	Dim(mm)		Circuits	Dim(mm)		Circuits	Dim(mm)	
	A	B		A	B		A	B
2P	2.54	5.08	15P	35.56	38.10	28P	68.58	71.12
3P	5.08	7.62	16P	38.10	40.64	29P	71.12	73.66
4P	7.62	10.16	17P	40.64	43.18	30P	73.66	76.20
5P	10.16	12.70	18P	43.18	45.72	31P	76.20	78.74
6P	12.70	15.24	19P	45.72	48.26	32P	78.74	81.28
7P	15.24	17.78	20P	48.26	50.80	33P	81.28	83.82
8P	17.78	20.32	21P	50.80	53.34	34P	83.82	86.36
9P	20.32	22.86	22P	53.34	55.88	35P	86.36	88.90
10P	22.86	25.40	23P	55.88	58.42	36P	88.90	91.44
11P	25.40	27.94	24P	58.42	60.96	37P	91.44	93.98
12P	27.94	30.48	25P	60.96	63.50	38P	93.98	96.52
13P	30.48	33.02	26P	63.50	66.04	39P	96.52	99.06
14P	33.02	35.56	27P	66.04	68.58	40P	99.06	101.60



**深圳市华德共创科技有限公司**  
 Shenzhen Huade co-create Technology Co., LTD  
 TEL: 0755-27129737 FAX: 0755-29940187

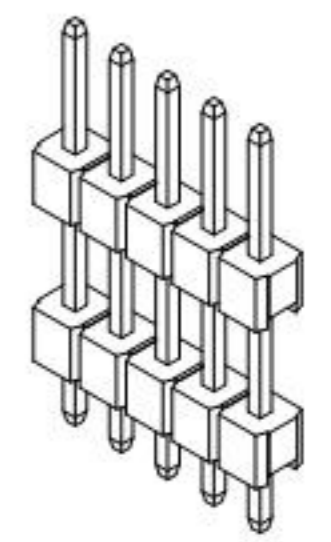
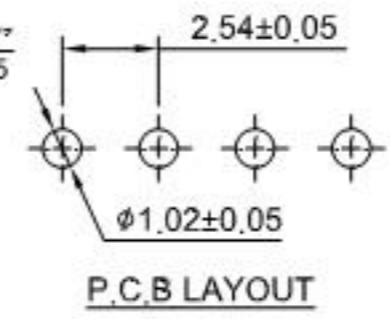
-TOLERANCES- UNLESS OTHERWISE SPECIFIED 公差参数表			TITLE: 2.54mm Pitch 产品名称: 90° Pin Header	
X.X	±0.30	X.X°	±3°	APPD: 核准: XIE
X.XX	±0.30	X.XX°	±2°	CHECK: 校对: WANG
X.XXX	±0.10	X.XXX°	±1°	DRAW: 绘图: WANG
		DATE	SCALE	UNIT
		2014-07-10	4:1	mm
		CODE NUMBER	A008	

修订 REV	标记 MARK	修改摘要 REVISION DESCRIPTION	签名 SIGNATURE	日期 DATE
A0		NEW RELEASE	WANG	2012-12-10

**Ordering Information:**

HDGC2541WVA-XP -  $\frac{7}{2}$  -  $\frac{***}{3}$  -  $\frac{7}{4}$  -  $\frac{***}{5}$

- Part No.
- Style:  
(blank): Type 1  
R: Type 2
- Size(H):  
(blank): 2.54mm  
H15: 1.50mm  
H17: 1.70mm  
H20: 2.00mm  
H30: 3.00mm
- Material:  
(blank): PBT,UL94V-0  
6T: Nylon 6T,UL94V-0  
GWT: Nylon 6T,UL94V-0,GWT 750°C
- Finish:  
(blank): Gold over Nickel  
T: Tin over Nickel

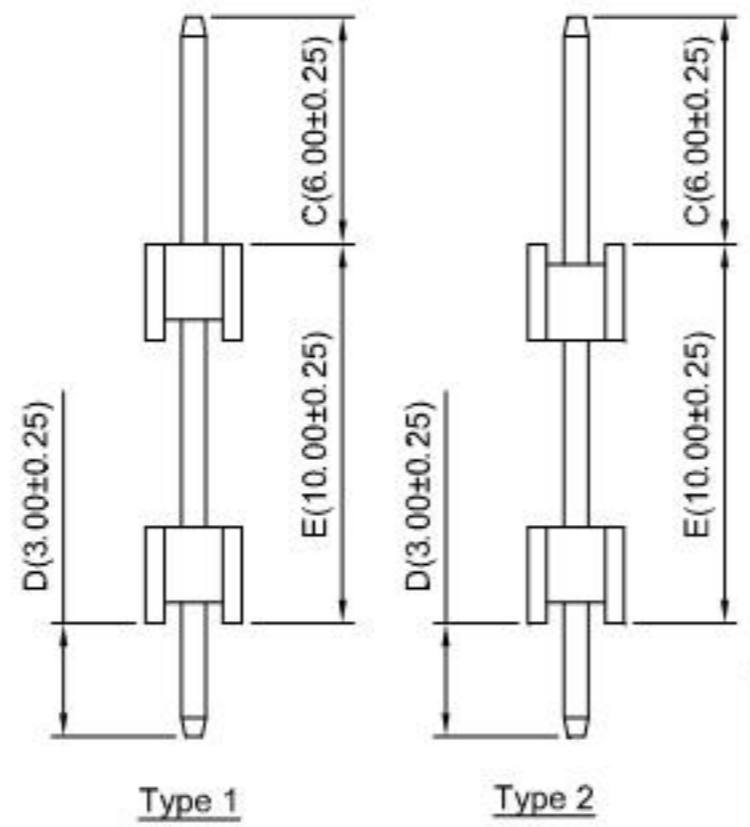
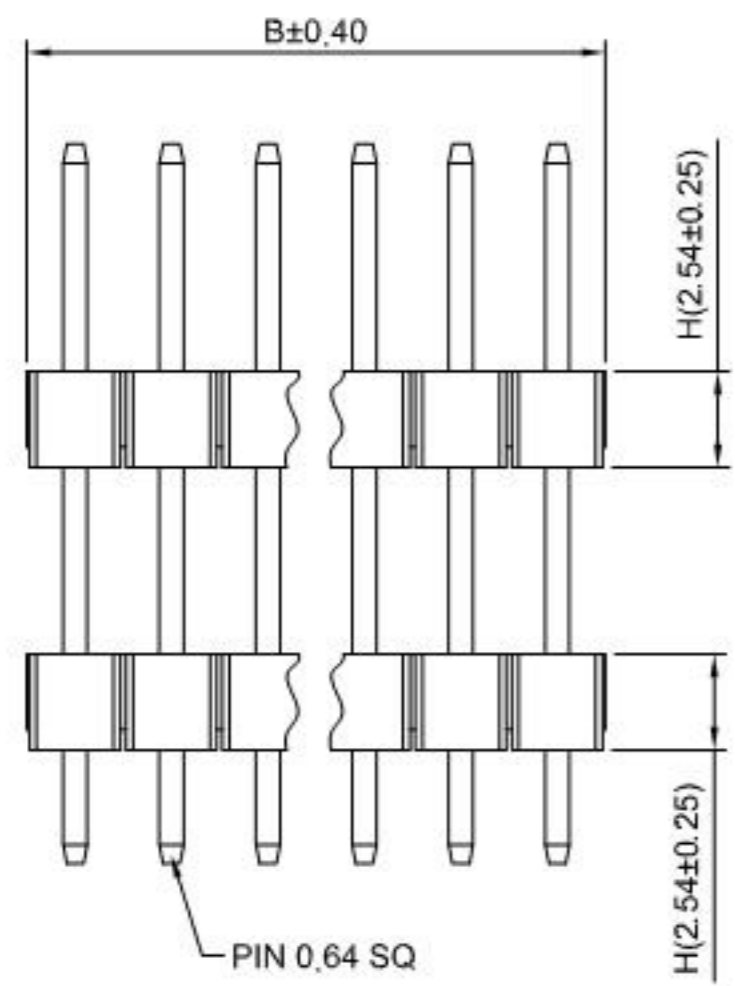
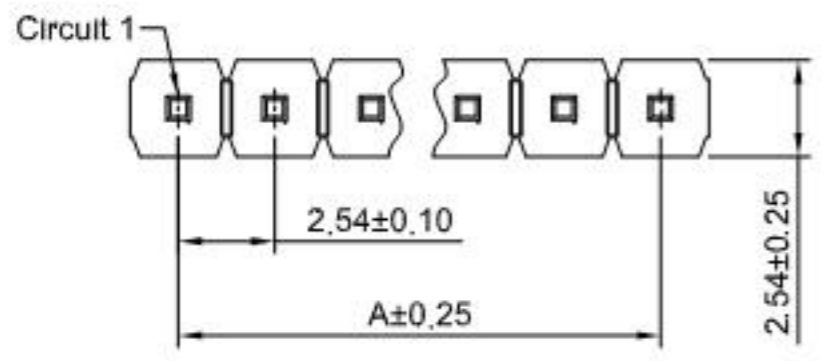


**SPECIFICATIONS:**

Current Rating: 3A AC,DC  
Voltage Rating: 250V AC,DC  
Temperature Range: -25°C ~ +85°C  
Contact Resistance: 20mΩ Max  
Insulation Resistance: 1000MΩ Min  
Withstanding Voltage: 1500V AC/minute  
Pin Material: Brass/Gold over Nickel  
Material: PBT,UL94V-0 (Black)

**Ordering Information & Dimensions**

Circuits	Dimensions (mm)		Circuits	Dimensions (mm)		Circuits	Dimensions (mm)	
	A	B		A	B		A	B
2P	2.54	5.08	15P	35.56	38.10	28P	68.58	71.12
3P	5.08	7.62	16P	38.10	40.64	29P	71.12	73.66
4P	7.62	10.16	17P	40.64	43.18	30P	73.66	76.20
5P	10.16	12.70	18P	43.18	45.72	31P	76.20	78.74
6P	12.70	15.24	19P	45.72	48.26	32P	78.74	81.28
7P	15.24	17.78	20P	48.26	50.80	33P	81.28	83.82
8P	17.78	20.32	21P	50.80	53.34	34P	83.82	86.36
9P	20.32	22.86	22P	53.34	55.88	35P	86.36	88.90
10P	22.86	25.40	23P	55.88	58.42	36P	88.90	91.44
11P	25.40	27.94	24P	58.42	60.96	37P	91.44	93.98
12P	27.94	30.48	25P	60.96	63.50	38P	93.98	96.52
13P	30.48	33.02	26P	63.50	66.04	39P	96.52	99.06
14P	33.02	35.56	27P	66.04	68.58	40P	99.06	101.60



**HDGC** 深圳市华德共创科技有限公司  
Shenzhen Huade co-create Technology Co., LTD  
TEL: 0755-27129737 FAX: 0755-29940187

-TOLERANCES- UNLESS OTHERWISE SPECIFIED 公差参数表				TITLE: 2.54mm Pitch 产品名称: 180° Pin Header			
X.X	±0.30	X.X°	±3°	APPD: 核准:	XIE		
X.XX	±0.30	X.XX°	±2°	CHECK: 校对:	WANG		
X.XXX	±0.10	X.XXX°	±1°	DRAW: 绘图:	WANG		
				DATE	SCALE	UNIT	CODE NUMBER
				2012-12-10	4:1	mm	A008

修订 REV	标记 MARK	修改摘要 REVISION DESCRIPTION	签名 SIGNATURE	日期 DATE
A0		NEW RELEASE	WANG	2012-12-10

Ordering Information:

HDGC2541WVA-S-XP -A - <sup>\*</sup>/<sub>2</sub> - <sup>\*\*\*</sup>/<sub>3</sub> - <sup>\*</sup>/<sub>4</sub> - <sup>\*\*\*</sup>/<sub>5</sub>

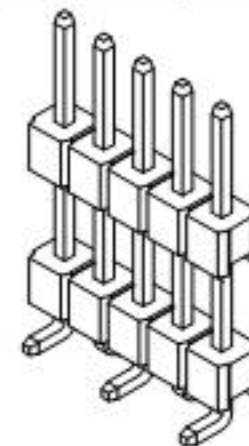
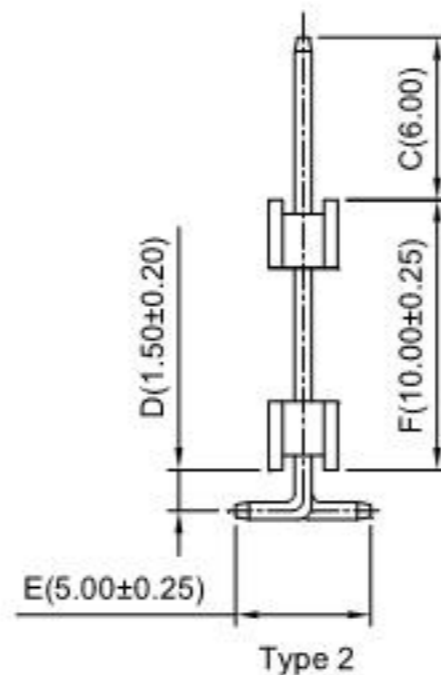
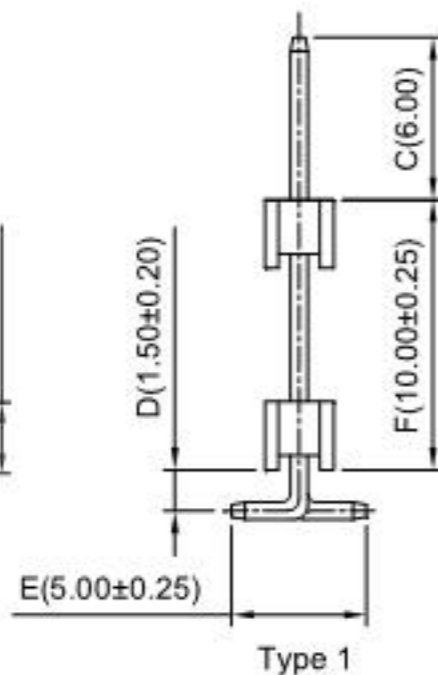
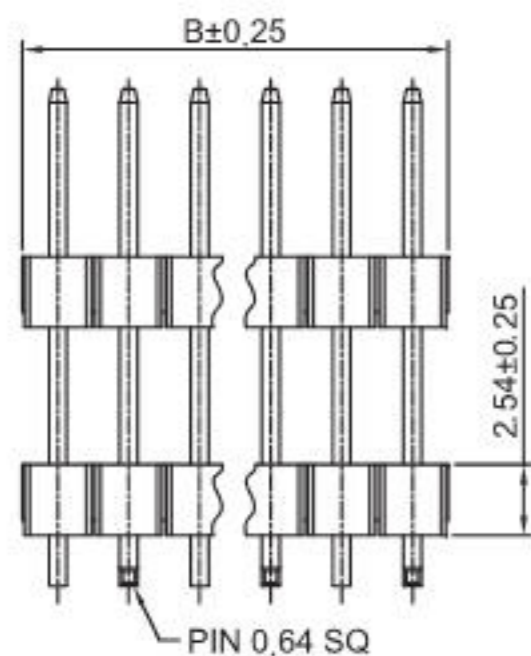
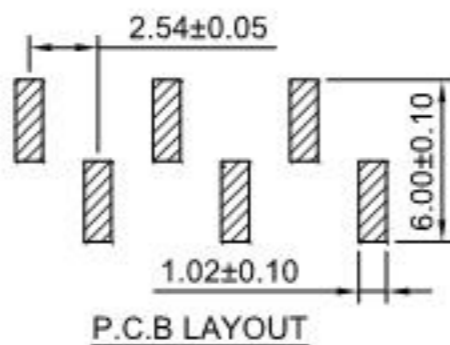
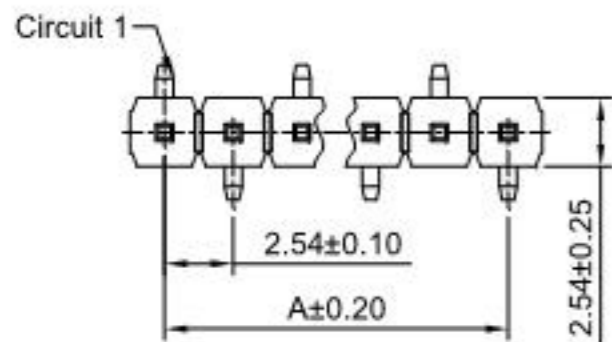
- Part No.
- Style:  
(blank): Type 1  
R: Type 2
- Size(H):  
(blank): 2.54mm  
H15: 1.50mm  
H17: 1.70mm  
H20: 2.00mm  
H30: 3.00mm
- Finish:  
(blank): Gold over Nickel  
T: Tin over Nickel
- Material:  
(blank): Nylon 6T,UL94V-0  
GWT: Nylon 6T,UL94V-0,GWT 750°C

SPECIFICATIONS:

Current Rating: 3A AC,DC  
Voltage Rating: 250V AC,DC  
Temperature Range: -25°C ~ +85°C  
Contact Resistance: 20mΩ Max  
Insulation Resistance: 1000MΩ Min  
Withstanding Voltage: 1500V AC/minute  
Pin Material: Brass/Gold over Nickel  
Material: Nylon 6T,UL94V-0(Black)

Ordering Information & Dimensions

Circuits	Dim(mm)		Circuits	Dim(mm)		Circuits	Dim(mm)	
	A	B		A	B		A	B
2P	2.54	5.08	15P	35.56	38.10	28P	68.58	71.12
3P	5.08	7.62	16P	38.10	40.64	29P	71.12	73.66
4P	7.62	10.16	17P	40.64	43.18	30P	73.66	76.20
5P	10.16	12.70	18P	43.18	45.72	31P	76.20	78.74
6P	12.70	15.24	19P	45.72	48.26	32P	78.74	81.28
7P	15.24	17.78	20P	48.26	50.80	33P	81.28	83.82
8P	17.78	20.32	21P	50.80	53.34	34P	83.82	86.36
9P	20.32	22.86	22P	53.34	55.88	35P	86.36	88.90
10P	22.86	25.40	23P	55.88	58.42	36P	88.90	91.44
11P	25.40	27.94	24P	58.42	60.96	37P	91.44	93.98
12P	27.94	30.48	25P	60.96	63.50	38P	93.98	96.52
13P	30.48	33.02	26P	63.50	66.04	39P	96.52	99.06
14P	33.02	35.56	27P	66.04	68.58	40P	99.06	101.60

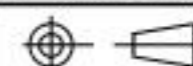


深圳市华德共创科技有限公司

Shenzhen Huade co-create Technology Co., LTD

TEL: 0755-27129737 FAX: 0755-29940187

-TOLERANCES-  
UNLESS OTHERWISE SPECIFIED  
公差参数表



TITLE: 2.54mm Pitch  
产品名称: 180° Pin Header

X.X ±0.30 X.X° ±3°

APPD: 核准: XIE

PART NO: HDGC2541WVA-S-XP-A  
产品编号:

X.XX ±0.30 X.XX° ±2°

CHECK: 校对: WANG

DATE SCALE UNIT CODE NUMBER

X.XXX ±0.10 X.XXX° ±1°

DRAW: 绘图: WANG

2012-12-10 3:1 mm A008

修订 REV	标记 MARK	修改摘要 REVISION DESCRIPTION	签名 SIGNATURE	日期 DATE
A0		NEW RELEASE	WANG	2012-12-10

Ordering Information:

HDGC2541WVA-S-XP-B -  $\frac{+}{-}$  -  $\frac{+}{-}$  -  $\frac{+}{-}$  -  $\frac{+}{-}$  -  $\frac{+}{-}$

1                      2                      3                      4                      5

1.Part No.

2.Style:

(blank): Type 1

R: Type 2

3.Size(H):

(blank): 2.54mm

H15: 1.50mm

H17: 1.70mm

H20: 2.00mm

H30: 3.00mm

4.Finish:

(blank): Gold over Nickel

T: Tin over Nickel

5.Material:

(blank): Nylon 6T,UL94V-0

GWT: Nylon 6T,UL94V-0,GWT 750°C

SPECIFICATIONS:

Current Rating: 3A AC,DC

Voltage Rating: 250V AC,DC

Temperature Range: -25°C ~ +85°C

Contact Resistance: 20mΩ Max

Insulation Resistance: 1000MΩ Min

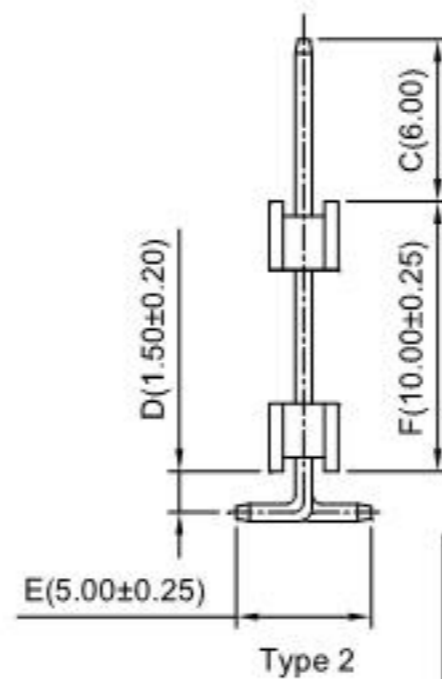
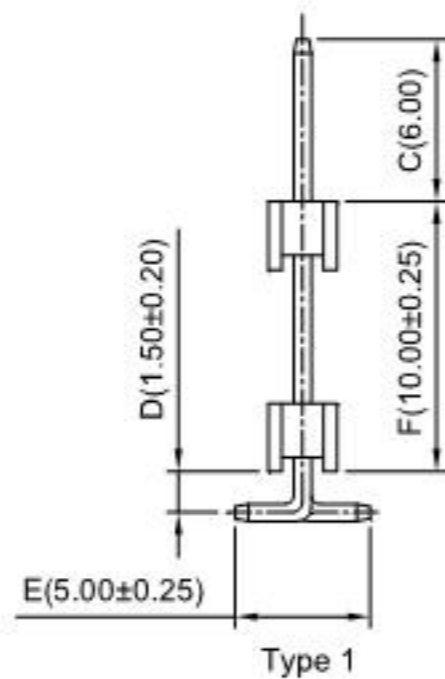
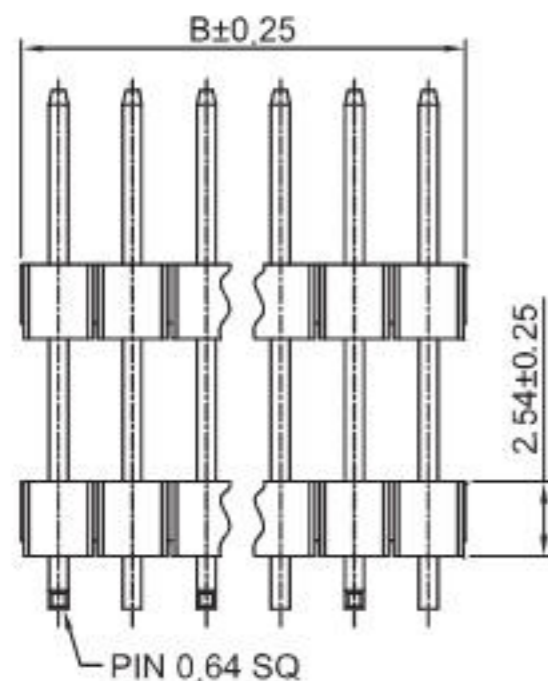
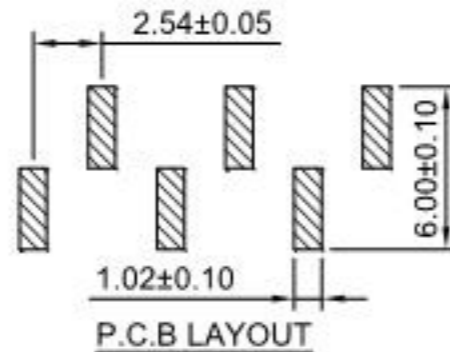
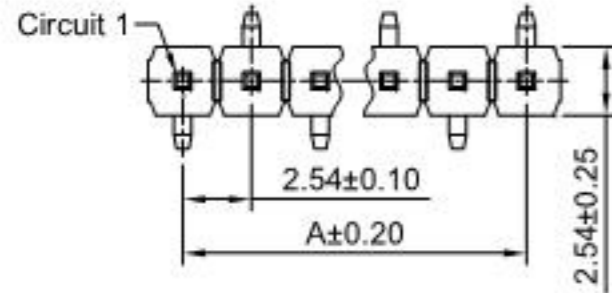
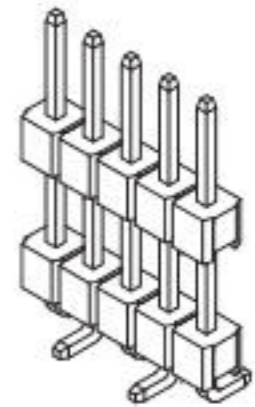
Withstanding Voltage: 1500V AC/minute

Pin Material:Brass/Gold over Nickel

Material:Nylon 6T,UL94V-0(Black)

Ordering Information & Dimensions

Circuits	Dim(mm)		Circuits	Dim(mm)		Circuits	Dim(mm)	
	A	B		A	B		A	B
2P	2.54	5.08	15P	35.56	38.10	28P	68.58	71.12
3P	5.08	7.62	16P	38.10	40.64	29P	71.12	73.66
4P	7.62	10.16	17P	40.64	43.18	30P	73.66	76.20
5P	10.16	12.70	18P	43.18	45.72	31P	76.20	78.74
6P	12.70	15.24	19P	45.72	48.26	32P	78.74	81.28
7P	15.24	17.78	20P	48.26	50.80	33P	81.28	83.82
8P	17.78	20.32	21P	50.80	53.34	34P	83.82	86.36
9P	20.32	22.86	22P	53.34	55.88	35P	86.36	88.90
10P	22.86	25.40	23P	55.88	58.42	36P	88.90	91.44
11P	25.40	27.94	24P	58.42	60.96	37P	91.44	93.98
12P	27.94	30.48	25P	60.96	63.50	38P	93.98	96.52
13P	30.48	33.02	26P	63.50	66.04	39P	96.52	99.06
14P	33.02	35.56	27P	66.04	68.58	40P	99.06	101.60



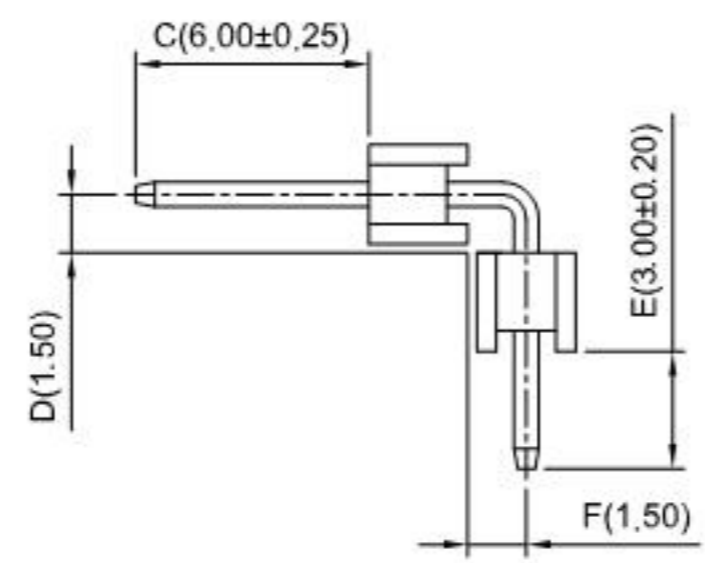
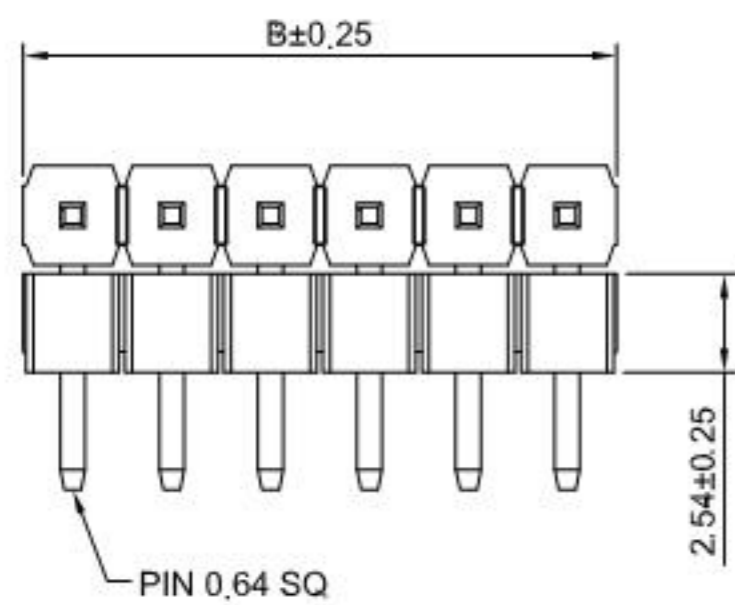
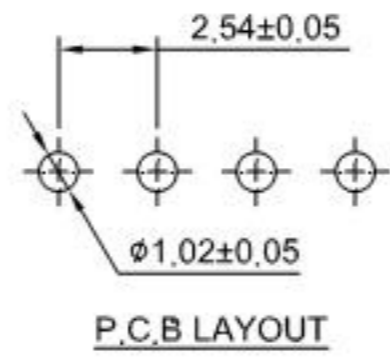
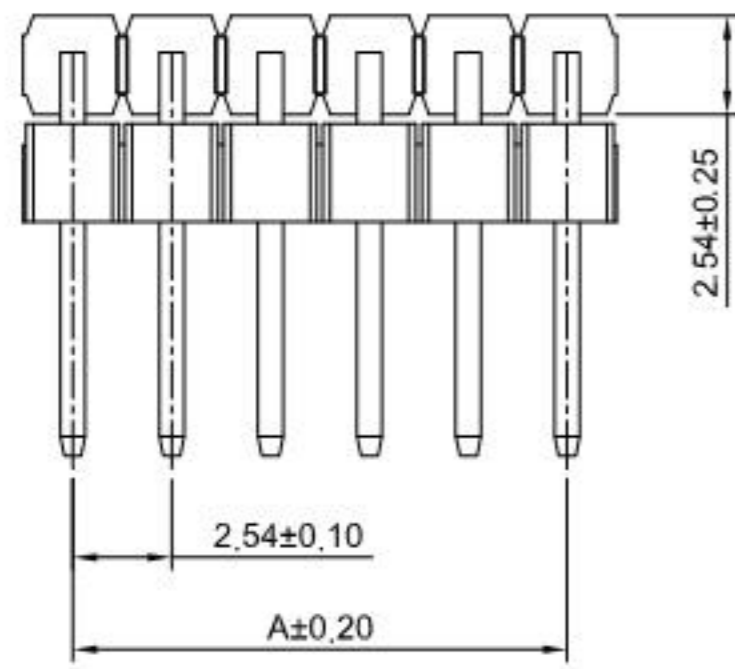
深圳市华德共创科技有限公司

Shenzhen Huade co-create Technology Co., LTD

TEL: 0755-27129737 FAX: 0755-29940187

-TOLERANCES- UNLESS OTHERWISE SPECIFIED 公差参数表				TITLE: 2.54mm Pitch 产品名称: 180° Pin Header	
X.X	±0.30	X.X°	±3°	APPD: 核准:	XIE
X.XX	±0.30	X.XX°	±2°	CHECK: 校对:	WANG
X.XXX	±0.10	X.XXX°	±1°	DRAW: 绘图:	WANG
PART NO: 产品编号:		HDGC2541WVA-S-XP-B		DATE	2012-12-10
SCALE	3:1	UNIT	mm	CODE NUMBER	A008

修订 REV	标记 MARK	修改摘要 REVISION DESCRIPTION	签名 SIGNATURE	日期 DATE
A0		NEW RELEASE	WANG	2014-07-10



**SPECIFICATIONS:**  
 Current Rating: 3A AC,DC  
 Voltage Rating: 250V AC,DC  
 Temperature Range: -25°C ~ +85°C  
 Contact Resistance: 20mΩ Max  
 Insulation Resistance: 1000MΩ Min  
 Withstanding Voltage: 1500V AC/minute  
 Pin Material: Brass/Gold over Nickel  
 Material: PBT 30%GF, UL94V-0(Black)

Ordering Information & Dimensions

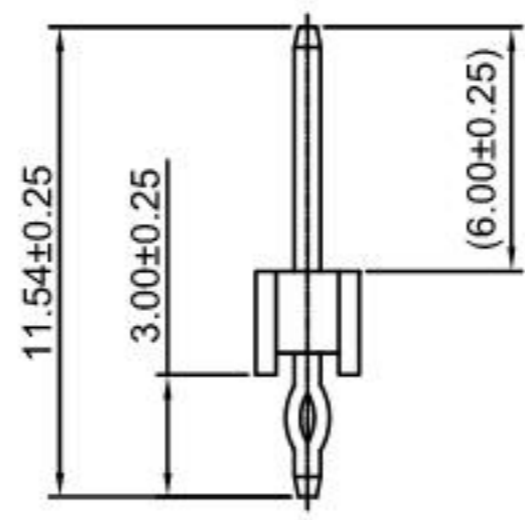
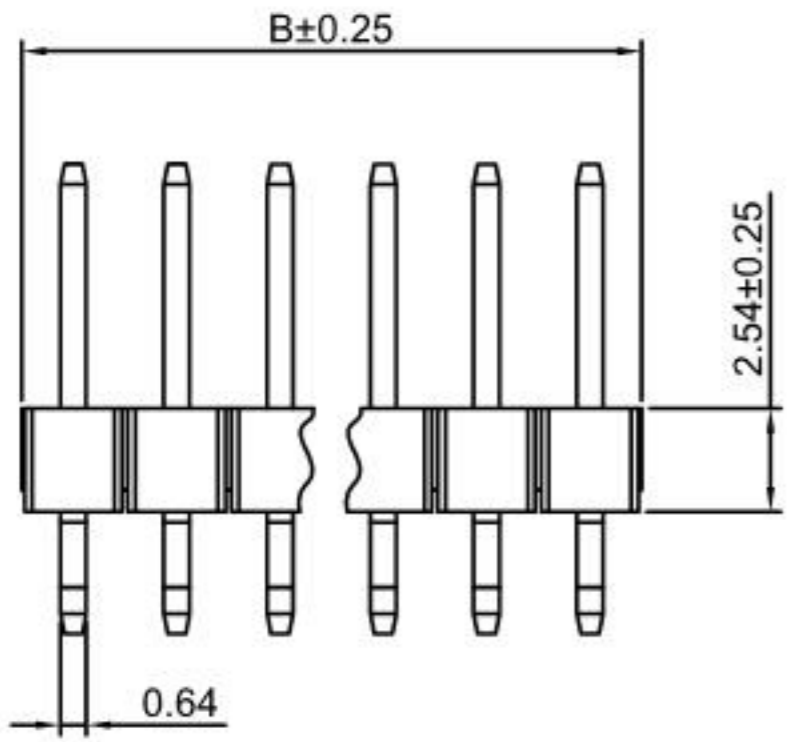
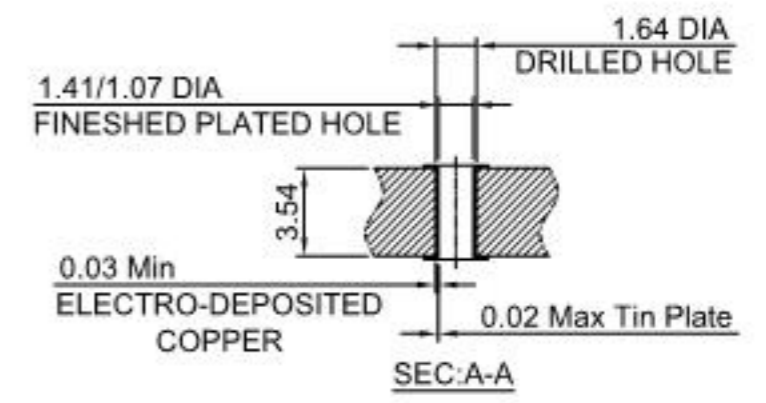
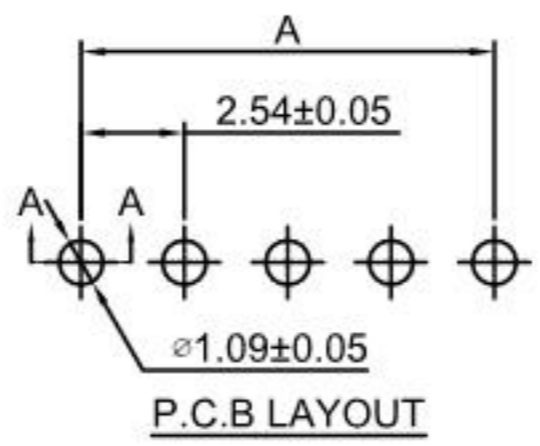
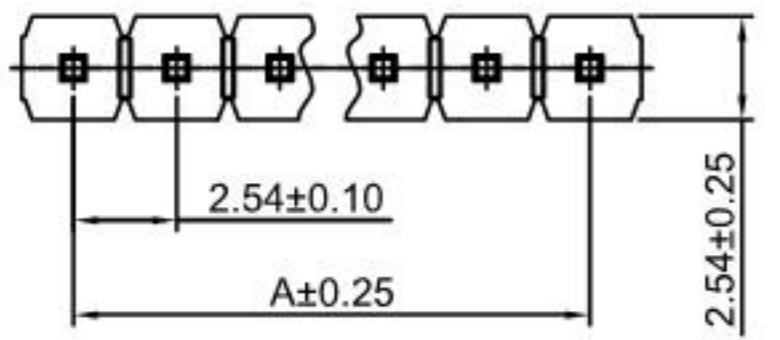
Circuits	Dim(mm)		Circuits	Dim(mm)		Circuits	Dim(mm)	
	A	B		A	B		A	B
2P	2.54	5.08	15P	35.56	38.10	28P	68.58	71.12
3P	5.08	7.62	16P	38.10	40.64	29P	71.12	73.66
4P	7.62	10.16	17P	40.64	43.18	30P	73.66	76.20
5P	10.16	12.70	18P	43.18	45.72	31P	76.20	78.74
6P	12.70	15.24	19P	45.72	48.26	32P	78.74	81.28
7P	15.24	17.78	20P	48.26	50.80	33P	81.28	83.82
8P	17.78	20.32	21P	50.80	53.34	34P	83.82	86.36
9P	20.32	22.86	22P	53.34	55.88	35P	86.36	88.90
10P	22.86	25.40	23P	55.88	58.42	36P	88.90	91.44
11P	25.40	27.94	24P	58.42	60.96	37P	91.44	93.98
12P	27.94	30.48	25P	60.96	63.50	38P	93.98	96.52
13P	30.48	33.02	26P	63.50	66.04	39P	96.52	99.06
14P	33.02	35.56	27P	66.04	68.58	40P	99.06	101.60



深圳市华德共创科技有限公司  
 Shenzhen Huade co-create Technology Co., LTD  
 TEL: 0755-27129737 FAX: 0755-29940187

-TOLERANCES- UNLESS OTHERWISE SPECIFIED 公差参数表				TITLE: 2.54mm Pitch 产品名称: 90° Pin Header	
X.X	±0.30	X.X°	±3°	APPD: 核准:	XIE
X.XX	±0.30	X.XX°	±2°	CHECK: 校对:	WANG
X.XXX	±0.10	X.XXX°	±1°	DRAW: 绘图:	WANG
PART NO: 产品编号:			DATE	SCALE	UNIT
HDGC2541WRB-XP			2014-07-10	4:1	mm
CODE NUMBER			A008		

修订 REV	标记 MARK	修改摘要 REVISION DESCRIPTION	签名 SIGNATURE	日期 DATE
A0		NEW RELEASE	WANG	2012-12-10



Ordering Information & Dimensions

Circuits	Dim(mm)		Circuits	Dim(mm)		Circuits	Dim(mm)	
	A	B		A	B		A	B
2P	2.54	5.08	15P	35.56	38.10	28P	68.58	71.12
3P	5.08	7.62	16P	38.10	40.64	29P	71.12	73.66
4P	7.62	10.16	17P	40.64	43.18	30P	73.66	76.20
5P	10.16	12.70	18P	43.18	45.72	31P	76.20	78.74
6P	12.70	15.24	19P	45.72	48.26	32P	78.74	81.28
7P	15.24	17.78	20P	48.26	50.80	33P	81.28	83.82
8P	17.78	20.32	21P	50.80	53.34	34P	83.82	86.36
9P	20.32	22.86	22P	53.34	55.88	35P	86.36	88.90
10P	22.86	25.40	23P	55.88	58.42	36P	88.90	91.44
11P	25.40	27.94	24P	58.42	60.96	37P	91.44	93.98
12P	27.94	30.48	25P	60.96	63.50	38P	93.98	96.52
13P	30.48	33.02	26P	63.50	66.04	39P	96.52	99.06
14P	33.02	35.56	27P	66.04	68.58	40P	99.06	101.60



深圳市华德共创科技有限公司  
 Shenzhen Huade co-create Technology Co., LTD  
 TEL: 0755-27129737 FAX: 0755-29940187

-TOLERANCES- UNLESS OTHERWISE SPECIFIED 公差参数表				TITLE: 2.54mm Pitch 产品名称: 180° Pin Header	
X.X	±0.30	X.X°	±3°	APPD: 核准:	XIE
X.XX	±0.30	X.XX°	±2°	CHECK: 校对:	WANG
X.XXX	±0.10	X.XXX°	±1°	DRAW: 绘图:	WANG
PART NO: 产品编号:		HDGC2541WVC-XP		DATE	2012-12-10
SCALE		3:1		UNIT	mm
CODE NUMBER		A008			

修订 REV	标记 MARK	修改摘要 REVISION DESCRIPTION	签名 SIGNATURE	日期 DATE
A0		NEW RELEASE	WANG	2012-12-10

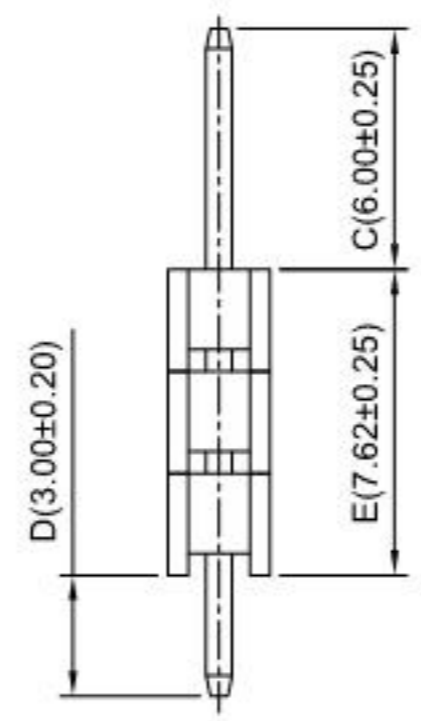
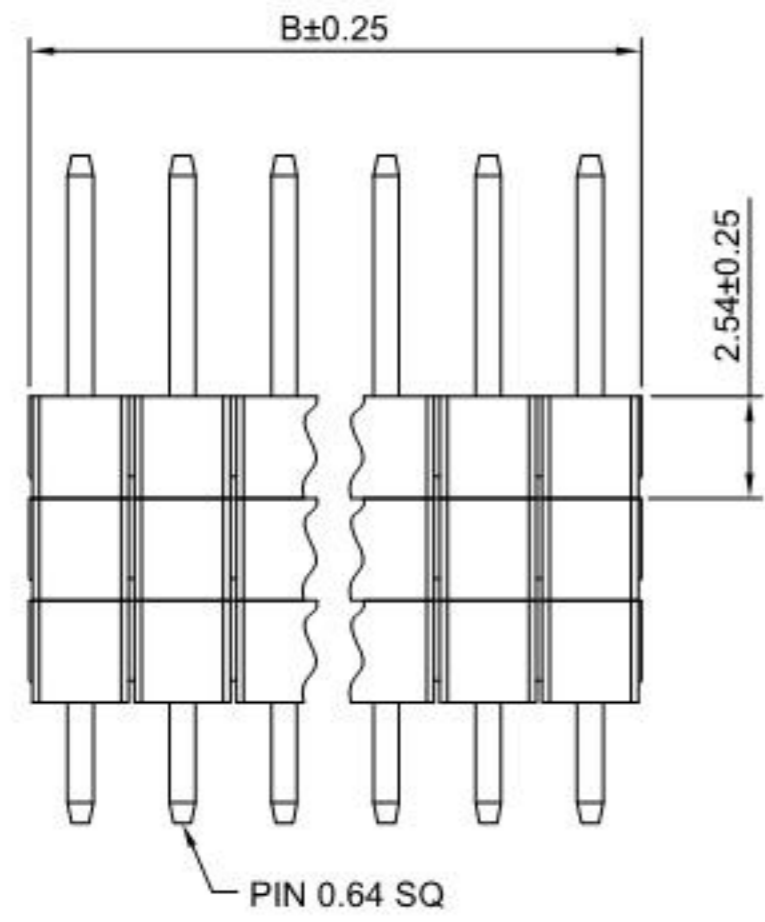
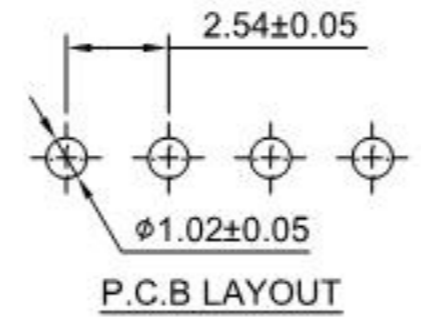
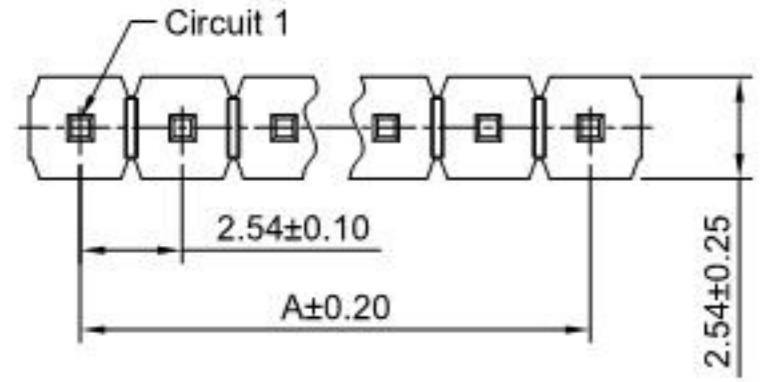
Ordering Information:  
 HDGC2541WV-XP-H3 - \* - \*\*\*  
 1 2 3

- 1.Part No.
- 2.Finish:  
 (blank): Gold over Nickel  
 T: Tin over Nickel
- 3.Material:  
 (blank): PBT,UL94V-0  
 6T: Nylon 6T,UL94V-0  
 GWT: Nylon 6T,UL94V-0,GWT 750°C

**SPECIFICATIONS:**  
 Current Rating: 3A AC,DC  
 Voltage Rating: 250V AC,DC  
 Temperature Range: -25°C ~ +85°C  
 Contact Resistance: 20mΩ Max  
 Insulation Resistance: 1000MΩ Min  
 Withstanding Voltage: 1500V AC/minute  
 Pin Material: Brass/Gold over Nickel  
 Material: PBT, UL94V-0(Black)

Ordering Information & Dimensions

Circuits	Dim(mm)		Circuits	Dim(mm)		Circuits	Dim(mm)	
	A	B		A	B		A	B
2P	2.54	5.08	15P	35.56	38.10	28P	68.58	71.12
3P	5.08	7.62	16P	38.10	40.64	29P	71.12	73.66
4P	7.62	10.16	17P	40.64	43.18	30P	73.66	76.20
5P	10.16	12.70	18P	43.18	45.72	31P	76.20	78.74
6P	12.70	15.24	19P	45.72	48.26	32P	78.74	81.28
7P	15.24	17.78	20P	48.26	50.80	33P	81.28	83.82
8P	17.78	20.32	21P	50.80	53.34	34P	83.82	86.36
9P	20.32	22.86	22P	53.34	55.88	35P	86.36	88.90
10P	22.86	25.40	23P	55.88	58.42	36P	88.90	91.44
11P	25.40	27.94	24P	58.42	60.96	37P	91.44	93.98
12P	27.94	30.48	25P	60.96	63.50	38P	93.98	96.52
13P	30.48	33.02	26P	63.50	66.04	39P	96.52	99.06
14P	33.02	35.56	27P	66.04	68.58	40P	99.06	101.60



**HDGC** 深圳市华德共创科技有限公司  
 Shenzhen Huade co-create Technology Co., LTD  
 TEL: 0755-27129737 FAX: 0755-29940187

-TOLERANCES- UNLESS OTHERWISE SPECIFIED 公差参数表				TITLE: 2.54mm Pitch 产品名称: 180° Pin Header	
X.X	±0.30	X.X°	±3°	APPD: 核准:	XIE
X.XX	±0.30	X.XX°	±2°	CHECK: 校对:	WANG
X.XXX	±0.10	X.XXX°	±1°	DRAW: 绘图:	WANG
PART NO: 产品编号:		HDGC2541WV-XP-H3		DATE	2012-12-10
SCALE		3:1		UNIT	mm
CODE NUMBER		A008			

修订 REV	标记 MARK	修改摘要 REVISION DESCRIPTION	签名 SIGNATURE	日期 DATE
A0		NEW RELEASE	WANG	2012-12-10

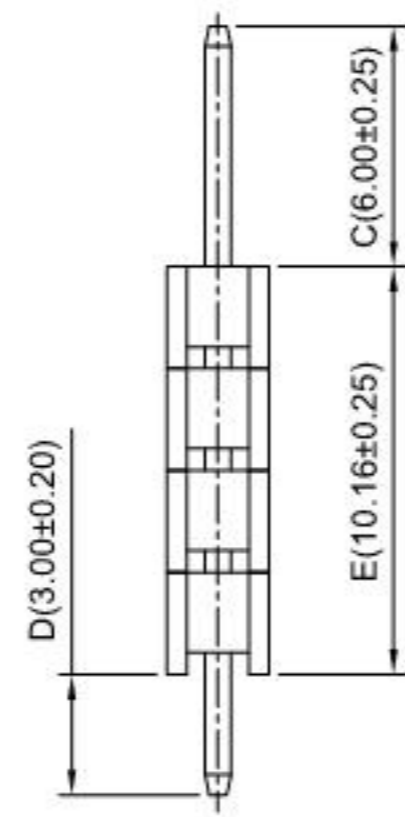
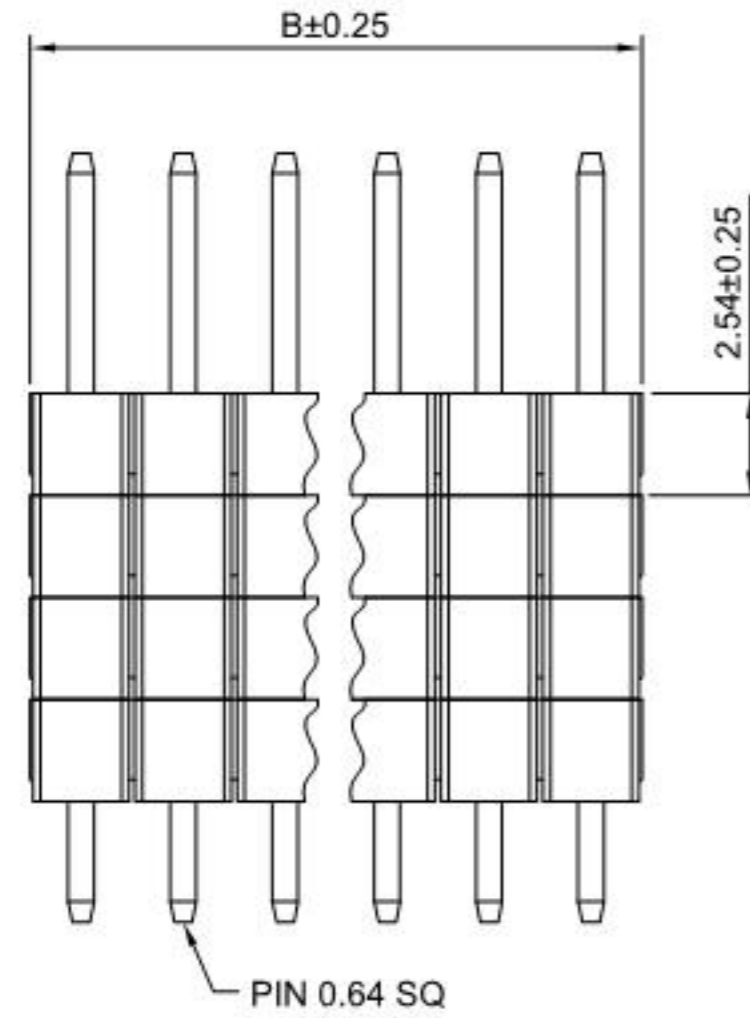
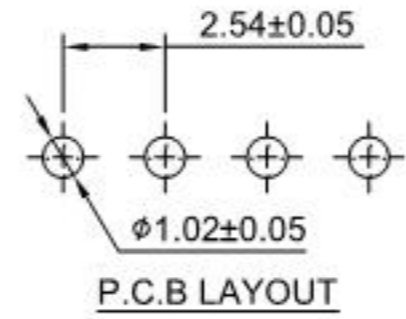
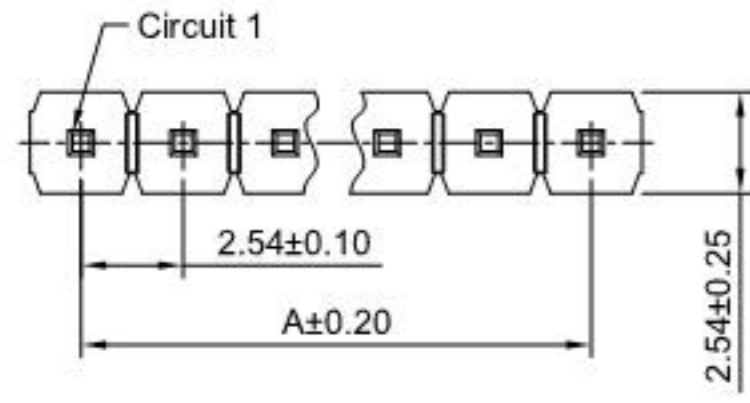
Ordering Information:  
 HDGC2541WV-XP-H4 -  $\frac{*}{2}$  -  $\frac{***}{3}$

- 1.Part No.
- 2.Finish:  
 (blank): Gold over Nickel  
 T: Tin over Nickel
- 3.Material:  
 (blank): PBT,UL94V-0  
 6T: Nylon 6T,UL94V-0  
 GWT: Nylon 6T,UL94V-0,GWT 750°C

**SPECIFICATIONS:**  
 Current Rating: 3A AC,DC  
 Voltage Rating: 250V AC,DC  
 Temperature Range: -25°C ~ +85°C  
 Contact Resistance: 20mΩ Max  
 Insulation Resistance: 1000MΩ Min  
 Withstanding Voltage: 1500V AC/minute  
 Pin Material:Brass/Gold over Nickel  
 Material:PBT ,UL94V-0(Black)

Ordering Information & Dimensions

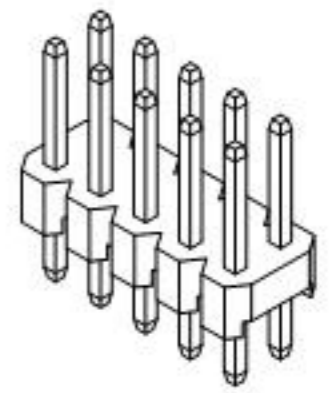
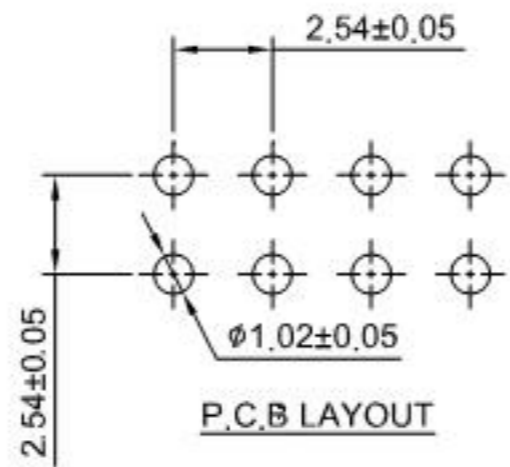
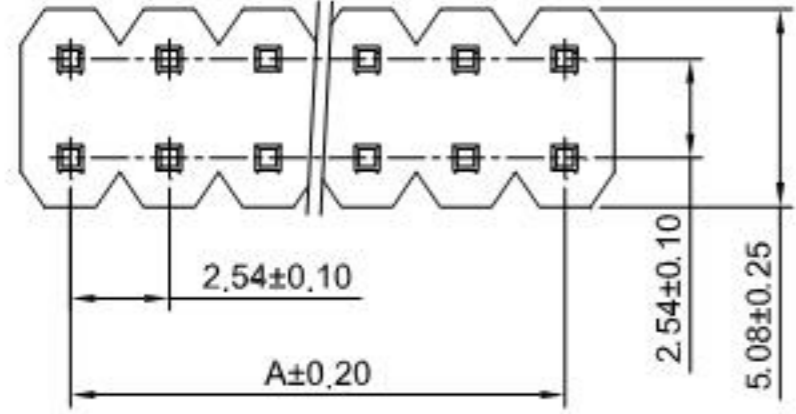
Circuits	Dim(mm)		Circuits	Dim(mm)		Circuits	Dim(mm)	
	A	B		A	B		A	B
2P	2.54	5.08	15P	35.56	38.10	28P	68.58	71.12
3P	5.08	7.62	16P	38.10	40.64	29P	71.12	73.66
4P	7.62	10.16	17P	40.64	43.18	30P	73.66	76.20
5P	10.16	12.70	18P	43.18	45.72	31P	76.20	78.74
6P	12.70	15.24	19P	45.72	48.26	32P	78.74	81.28
7P	15.24	17.78	20P	48.26	50.80	33P	81.28	83.82
8P	17.78	20.32	21P	50.80	53.34	34P	83.82	86.36
9P	20.32	22.86	22P	53.34	55.88	35P	86.36	88.90
10P	22.86	25.40	23P	55.88	58.42	36P	88.90	91.44
11P	25.40	27.94	24P	58.42	60.96	37P	91.44	93.98
12P	27.94	30.48	25P	60.96	63.50	38P	93.98	96.52
13P	30.48	33.02	26P	63.50	66.04	39P	96.52	99.06
14P	33.02	35.56	27P	66.04	68.58	40P	99.06	101.60



**深圳市华德共创科技有限公司**  
 Shenzhen Huade co-create Technology Co., LTD  
 TEL: 0755-27129737 FAX: 0755-29940187

-TOLERANCES- UNLESS OTHERWISE SPECIFIED 公差参数表		 	TITLE: 2.54mm Pitch 产品名称: 180° Pin Header						
X.X	±0.30	X.X°	±3°	APPD: 核准:	XIE	PART NO: 产品编号: HDGC2541WV-XP-H4			
X.XX	±0.30	X.XX°	±2°	CHECK: 校对:	WANG	DATE	SCALE	UNIT	CODE NUMBER
X.XXX	±0.10	X.XXX°	±1°	DRAW: 绘图:	WANG	2012-12-10	3:1	mm	A008

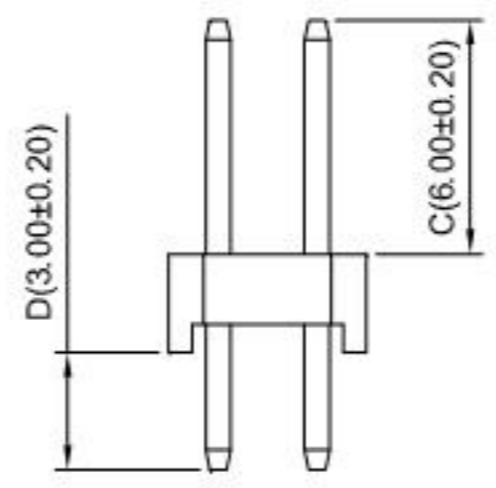
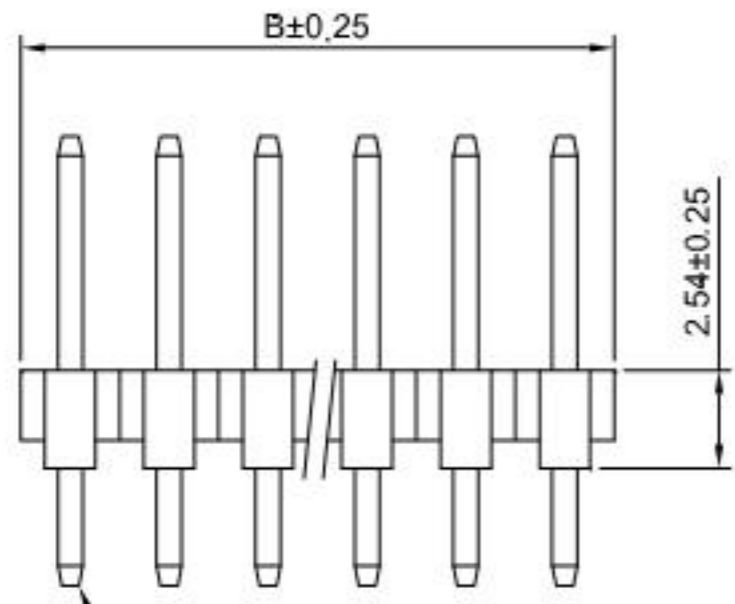
修订 REV	标记 MARK	修改摘要 REVISION DESCRIPTION	签名 SIGNATURE	日期 DATE
A0		NEW RELEASE	WANG	2012-12-10



**SPECIFICATIONS:**  
 Current Rating: 3A AC,DC  
 Voltage Rating: 250V AC,DC  
 Temperature Range: -25°C ~ +85°C  
 Contact Resistance: 20mΩ Max  
 Insulation Resistance: 1000MΩ Min  
 Withstanding Voltage: 1500V AC/minute  
 Pin Material: Brass/Gold over Nickel  
 Material: PBT 30%GF, UL94V-0 (Black)

Ordering Information & Dimensions

Circuits	Dim(mm)		Circuits	Dim(mm)		Circuits	Dim(mm)	
	A	B		A	B		A	B
2x1P	---	2.54	2x15P	35.56	38.10	2x29P	71.12	73.66
2x2P	2.54	5.08	2x16P	38.10	40.64	2x30P	73.66	76.20
2x3P	5.08	7.62	2x17P	40.64	43.18	2x31P	76.20	78.74
2x4P	7.62	10.16	2x18P	43.18	45.72	2x32P	78.74	81.28
2x5P	10.16	12.70	2x19P	45.72	48.26	2x33P	81.28	83.82
2x6P	12.70	15.24	2x20P	48.26	50.80	2x34P	83.82	86.36
2x7P	15.24	17.78	2x21P	50.80	53.34	2x35P	86.36	88.90
2x8P	17.78	20.32	2x22P	53.34	55.88	2x36P	88.90	91.44
2x9P	20.32	22.86	2x23P	55.88	58.42	2x37P	91.44	93.98
2x10P	22.86	25.40	2x24P	58.42	60.96	2x38P	93.98	96.52
2x11P	25.40	27.94	2x25P	60.96	63.50	2x39P	96.52	99.06
2x12P	27.94	30.48	2x26P	63.50	66.04	2x40P	99.06	101.60
2x13P	30.48	33.02	2x27P	66.04	68.58			
2x14P	33.02	35.56	2x28P	68.58	71.12			

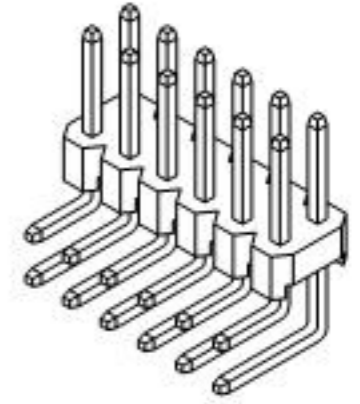


PIN 0.64 SQ

**HDGC** 深圳市华德共创科技有限公司  
 Shenzhen Huade co-create Technology Co., LTD  
 TEL: 0755-27129737 FAX: 0755-29940187

-TOLERANCES- UNLESS OTHERWISE SPECIFIED 公差参数表				TITLE: 2.54mm Pitch 产品名称: 180° Pin Header	
X.X	±0.30	X.X°	±3°	APPD: 核准:	XIE
X.XX	±0.30	X.XX°	±2°	CHECK: 校对:	WANG
X.XXX	±0.10	X.XXX°	±1°	DRAW: 绘图:	WANG
PART NO: 产品编号:		HDGC2541WV-2xXP		DATE	2012-12-10
SCALE		3:1		UNIT	mm
CODE NUMBER		A008			

修订 REV	标记 MARK	修改摘要 REVISION DESCRIPTION	签名 SIGNATURE	日期 DATE
A0		NEW RELEASE	WANG	2014-07-10

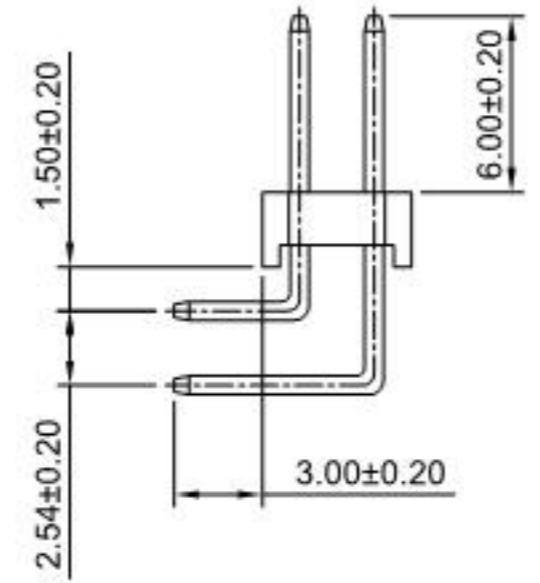
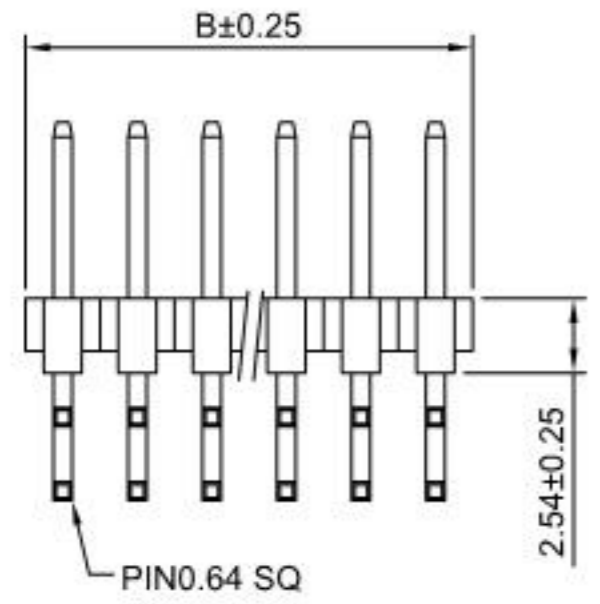
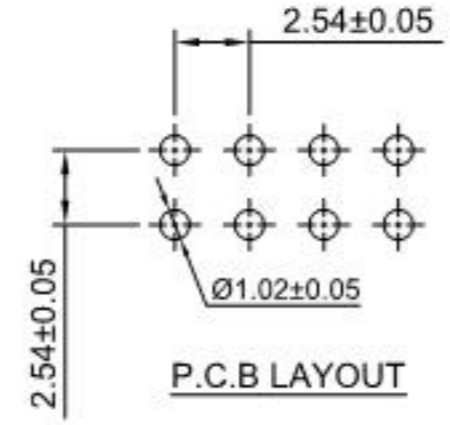
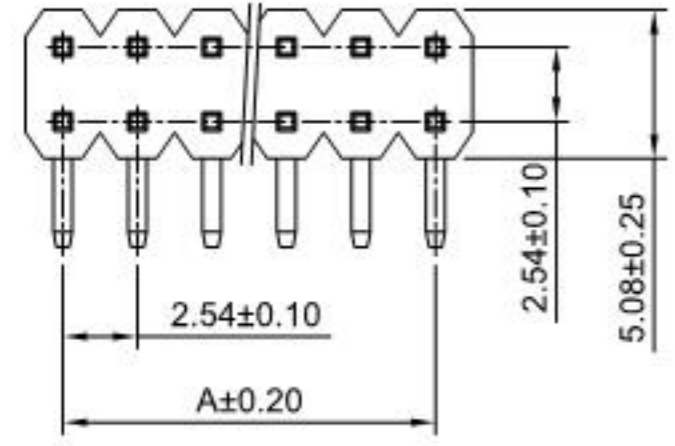


**SPECIFICATIONS:**

Current Rating: 3A AC,DC  
Voltage Rating: 250V AC,DC  
Temperature Range: -25°C ~ +85°C  
Contact Resistance: 20mΩ Max  
Insulation Resistance: 1000MΩ Min  
Withstanding Voltage: 1500V AC/minute  
Pin Material: Brass/Gold over Nickel  
Material: PBT 30%GF, UL94V-0(Black)

**Ordering Information & Dimensions**

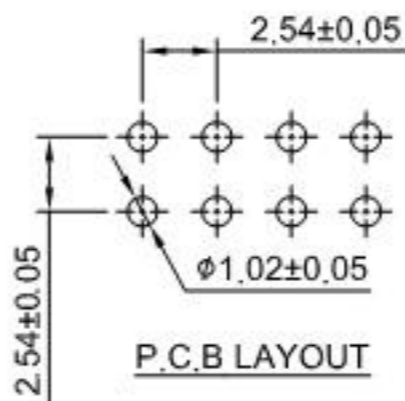
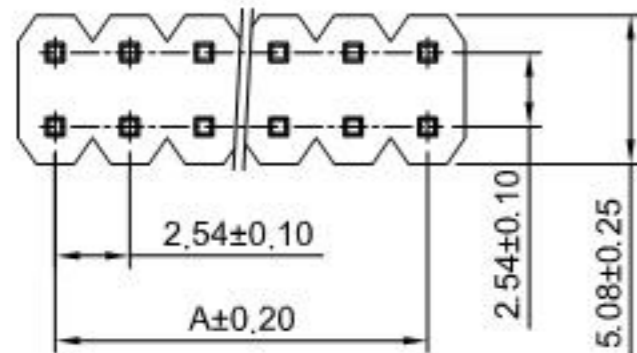
Circuits	Dim(mm)		Circuits	Dim(mm)		Circuits	Dim(mm)	
	A	B		A	B		A	B
2x1P	----	2.54	2x15P	35.56	38.10	2x29P	71.12	73.66
2x2P	2.54	5.08	2x16P	38.10	40.64	2x30P	73.66	76.20
2x3P	5.08	7.62	2x17P	40.64	43.18	2x31P	76.20	78.74
2x4P	7.62	10.16	2x18P	43.18	45.72	2x32P	78.74	81.28
2x5P	10.16	12.70	2x19P	45.72	48.26	2x33P	81.28	83.82
2x6P	12.70	15.24	2x20P	48.26	50.80	2x34P	83.82	86.36
2x7P	15.24	17.78	2x21P	50.80	53.34	2x35P	86.36	88.90
2x8P	17.78	20.32	2x22P	53.34	55.88	2x36P	88.90	91.44
2x9P	20.32	22.86	2x23P	55.88	58.42	2x37P	91.44	93.98
2x10P	22.86	25.40	2x24P	58.42	60.96	2x38P	93.98	96.52
2x11P	25.40	27.94	2x25P	60.96	63.50	2x39P	96.52	99.06
2x12P	27.94	30.48	2x26P	63.50	66.04	2x40P	99.06	101.60
2x13P	30.48	33.02	2x27P	66.04	68.58			
2x14P	33.02	35.56	2x28P	68.58	71.12			



**深圳市华德共创科技有限公司**  
Shenzhen Huade co-create Technology Co., LTD  
TEL: 0755-27129737 FAX: 0755-29940187

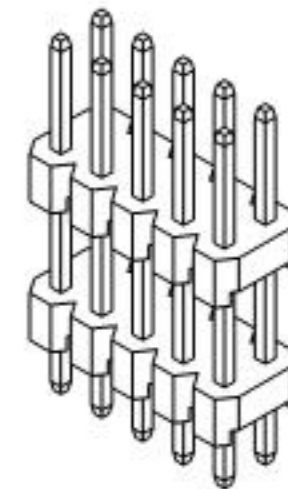
-TOLERANCES- UNLESS OTHERWISE SPECIFIED 公差参数表			TITLE: 2.54mm Pitch 产品名称: 90° Pin Header						
X.X	±0.30	X.X°	±3°	APPD: 核准:	XIE	PART NO: 产品编号: HDGC2541WR-2xXP			
X.XX	±0.30	X.XX°	±2°	CHECK: 校对:	WANG	DATE	SCALE	UNIT	CODE NUMBER
X.XXX	±0.10	X.XXX°	±1°	DRAW: 绘图:	WANG	2014-07-10	3:1	mm	A008

修订 REV	标记 MARK	修改摘要 REVISION DESCRIPTION	签名 SIGNATURE	日期 DATE
A0		NEW RELEASE	WANG	2014-07-10



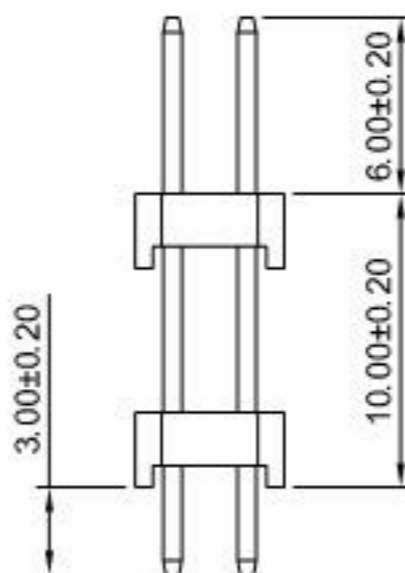
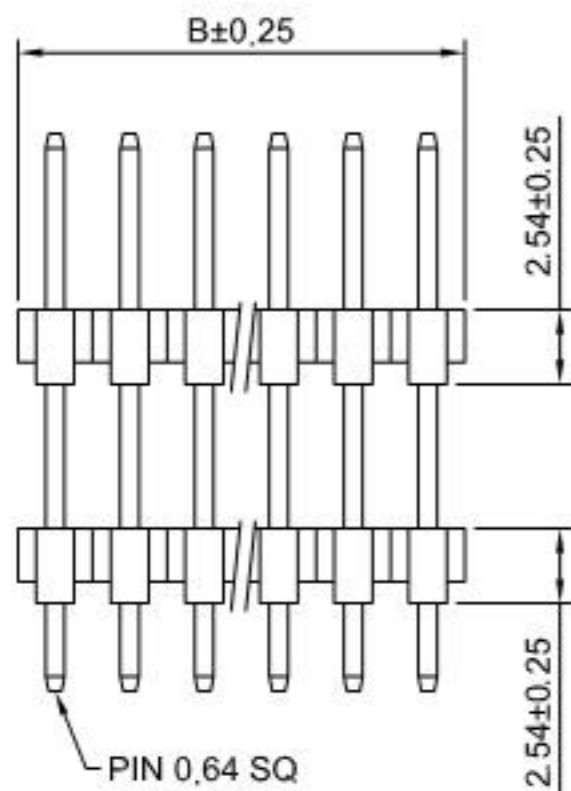
**SPECIFICATIONS:**

Current Rating: 3A AC,DC  
Voltage Rating: 250V AC,DC  
Temperature Range: -25°C ~ +85°C  
Contact Resistance: 20mΩ Max  
Insulation Resistance: 1000MΩ Min  
Withstanding Voltage: 1500V AC/minute  
Pin Material: Brass/Gold over Nickel  
Material: PBT 30%GF, UL94V-0 (Black)



**Ordering Information & Dimensions**

Circuits	Dim(mm)		Circuits	Dim(mm)		Circuits	Dim(mm)	
	A	B		A	B		A	B
2x1P	----	2.54	2x15P	35.56	38.10	2x29P	71.12	73.66
2x2P	2.54	5.08	2x16P	38.10	40.64	2x30P	73.66	76.20
2x3P	5.08	7.62	2x17P	40.64	43.18	2x31P	76.20	78.74
2x4P	7.62	10.16	2x18P	43.18	45.72	2x32P	78.74	81.28
2x5P	10.16	12.70	2x19P	45.72	48.26	2x33P	81.28	83.82
2x6P	12.70	15.24	2x20P	48.26	50.80	2x34P	83.82	86.36
2x7P	15.24	17.78	2x21P	50.80	53.34	2x35P	86.36	88.90
2x8P	17.78	20.32	2x22P	53.34	55.88	2x36P	88.90	91.44
2x9P	20.32	22.86	2x23P	55.88	58.42	2x37P	91.44	93.98
2x10P	22.86	25.40	2x24P	58.42	60.96	2x38P	93.98	96.52
2x11P	25.40	27.94	2x25P	60.96	63.50	2x39P	96.52	99.06
2x12P	27.94	30.48	2x26P	63.50	66.04	2x40P	99.06	101.60
2x13P	30.48	33.02	2x27P	66.04	68.58			
2x14P	33.02	35.56	2x28P	68.58	71.12			



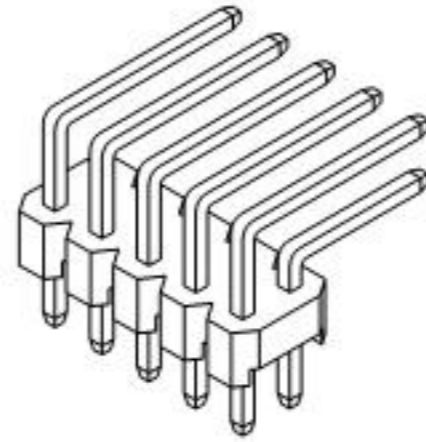
深圳市华德共创科技有限公司

Shenzhen Huade co-create Technology Co., LTD

TEL: 0755-27129737 FAX: 0755-29940187

-TOLERANCES- UNLESS OTHERWISE SPECIFIED 公差参数表						TITLE: 2.54mm Pitch 产品名称: 180° Pin Header			
X.X	±0.30	X.X°	±3°	APPD: 核准:	XIE	PART NO: 产品编号: HDGC2541WVA-2xXP			
X.XX	±0.30	X.XX°	±2°	CHECK: 校对:	WANG	DATE	SCALE	UNIT	CODE NUMBER
X.XXX	±0.10	X.XXX°	±1°	DRAW: 绘图:	WANG	2014-07-10	3:1	mm	A008

修订 REV	标记 MARK	修改摘要 REVISION DESCRIPTION	签名 SIGNATURE	日期 DATE
A0		NEW RELEASE	WANG	2014-07-10

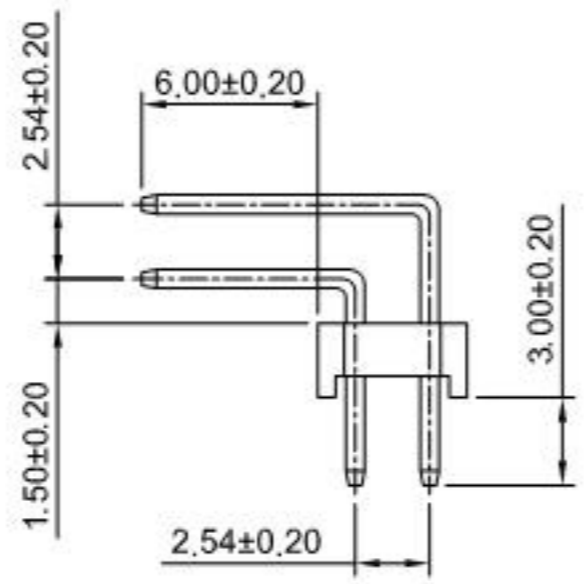
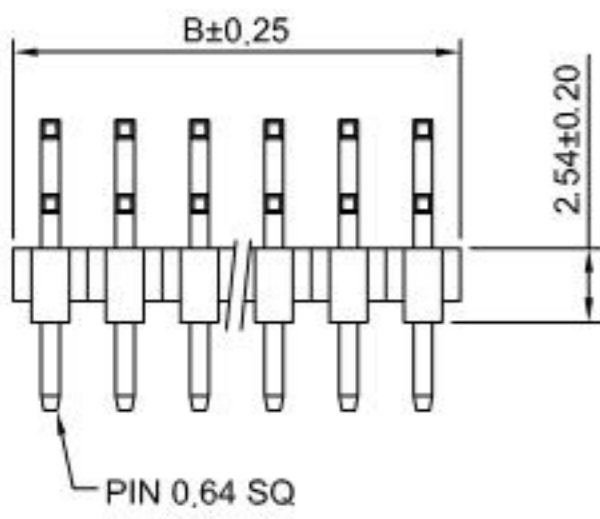
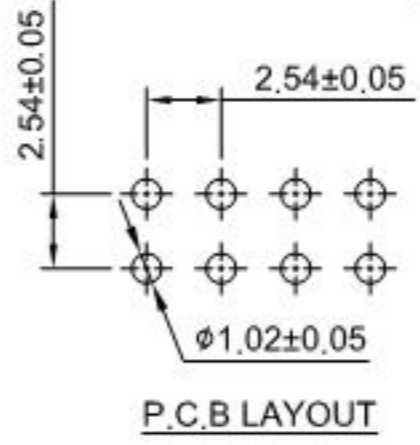
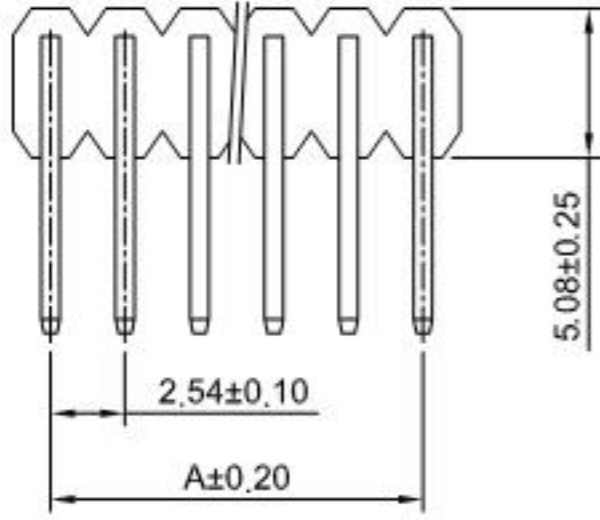


**SPECIFICATIONS:**

Current Rating: 3A AC,DC  
Voltage Rating: 250V AC,DC  
Temperature Range: -25°C ~ +85°C  
Contact Resistance: 20mΩ Max  
Insulation Resistance: 1000MΩ Min  
Withstanding Voltage: 1500V AC/minute  
Pin Material: Brass/Gold over Nickel  
Material: PBT 30%GF, UL94V-0(Black)

**Ordering Information & Dimensions**

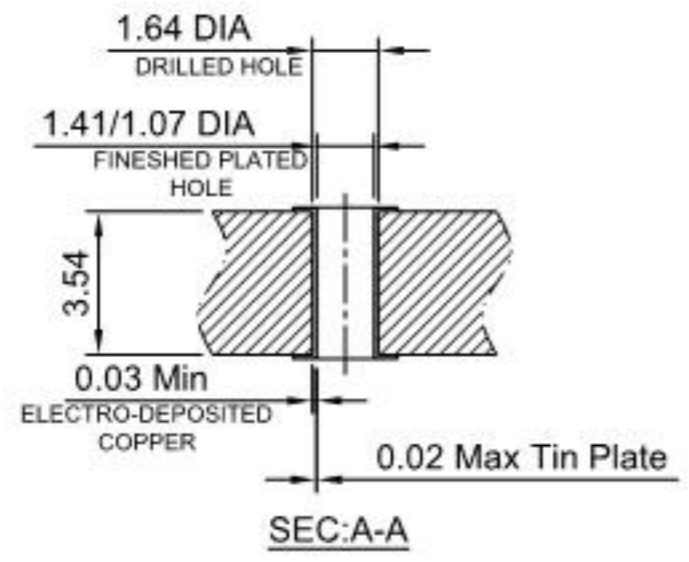
Circuits	Dim(mm)		Circuits	Dim(mm)		Circuits	Dim(mm)	
	A	B		A	B		A	B
2x1P	---	2.54	2x15P	35.56	38.10	2x29P	71.12	73.66
2x2P	2.54	5.08	2x16P	38.10	40.64	2x30P	73.66	76.20
2x3P	5.08	7.62	2x17P	40.64	43.18	2x31P	76.20	78.74
2x4P	7.62	10.16	2x18P	43.18	45.72	2x32P	78.74	81.28
2x5P	10.16	12.70	2x19P	45.72	48.26	2x33P	81.28	83.82
2x6P	12.70	15.24	2x20P	48.26	50.80	2x34P	83.82	86.36
2x7P	15.24	17.78	2x21P	50.80	53.34	2x35P	86.36	88.90
2x8P	17.78	20.32	2x22P	53.34	55.88	2x36P	88.90	91.44
2x9P	20.32	22.86	2x23P	55.88	58.42	2x37P	91.44	93.98
2x10P	22.86	25.40	2x24P	58.42	60.96	2x38P	93.98	96.52
2x11P	25.40	27.94	2x25P	60.96	63.50	2x39P	96.52	99.06
2x12P	27.94	30.48	2x26P	63.50	66.04	2x40P	99.06	101.60
2x13P	30.48	33.02	2x27P	66.04	68.58			
2x14P	33.02	35.56	2x28P	68.58	71.12			



**深圳市华德共创科技有限公司**  
Shenzhen Huade co-create Technology Co., LTD  
TEL: 0755-27129737 FAX: 0755-29940187

-TOLERANCES- UNLESS OTHERWISE SPECIFIED 公差参数表			TITLE: 2.54mm Pitch 产品名称: 180° Pin Header						
X.X	±0.30	X.X°	±3°	APPD: 核准:	XIE	PART NO: 产品编号: HDGC2541WRA-2xXP			
X.XX	±0.30	X.XX°	±2°	CHECK: 校对:	WANG	DATE	SCALE	UNIT	CODE NUMBER
X.XXX	±0.10	X.XXX°	±1°	DRAW: 绘图:	WANG	2014-07-10	3:1	mm	A008

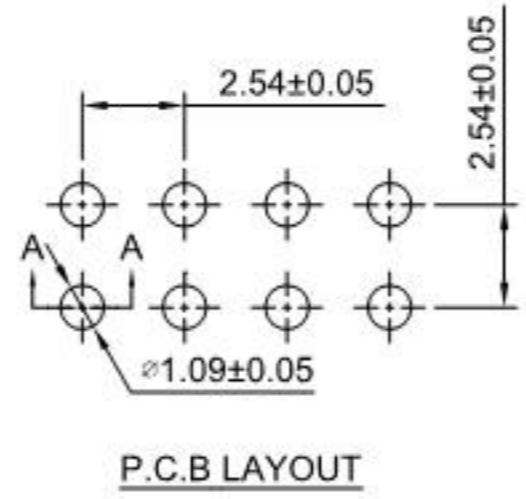
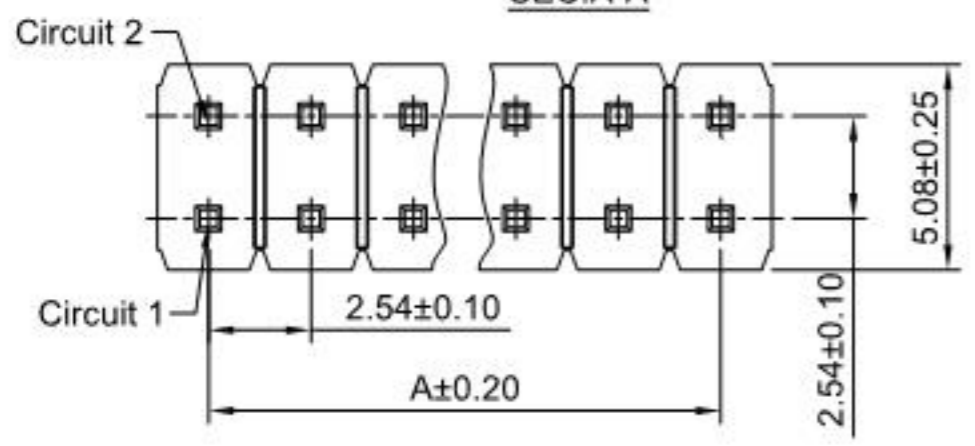
修订 REV	标记 MARK	修改摘要 REVISION DESCRIPTION	签名 SIGNATURE	日期 DATE
A0		NEW RELEASE	WANG	2014-07-10



Ordering Information:  
 HDGC2541WVC-2xXP -  $\frac{+}{2} - \frac{***}{3}$

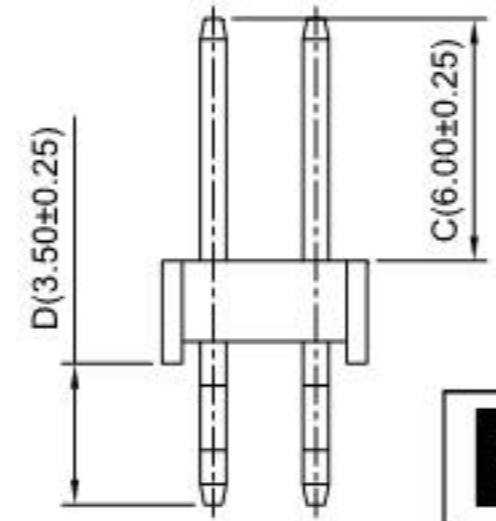
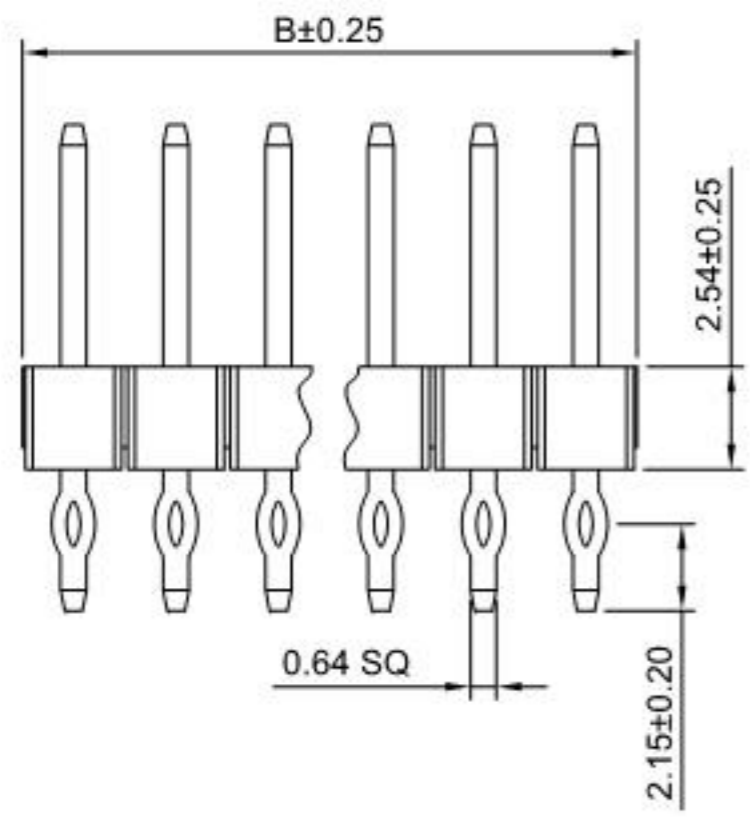
1.Part No.  
 2.Finish:  
 (blank): Gold over Nickel  
 T: Tin over Nickel  
 3.Material:  
 (blank): PBT,UL94V-0  
 6T: Nylon 6T,UL94V-0  
 GWT: Nylon 6T,UL94V-0,GWT 750°C

**SPECIFICATIONS:**  
 Current Rating: 3A AC,DC  
 Voltage Rating: 250V AC,DC  
 Temperature Range: -25°C ~ +85°C  
 Contact Resistance: 20mΩ Max  
 Insulation Resistance: 1000MΩ Min  
 Withstanding Voltage: 1500V AC/minute  
 Pin Material: Brass/Gold over Nickel  
 Material: PBT,UL94V-0 (Black)



Ordering Information & Dimensions

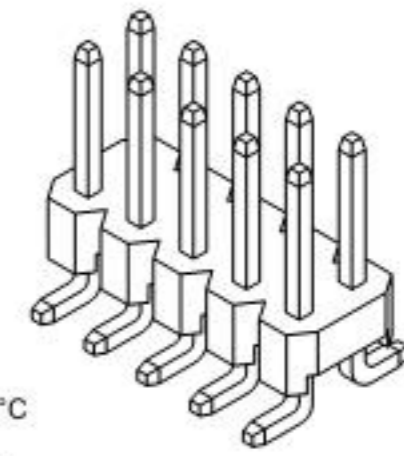
Circuits	Dim(mm)		Circuits	Dim(mm)		Circuits	Dim(mm)	
	A	B		A	B		A	B
2x2P	2.54	5.08	2x15P	35.56	38.10	2x28P	68.58	71.12
2x3P	5.08	7.62	2x16P	38.10	40.64	2x29P	71.12	73.66
2x4P	7.62	10.16	2x17P	40.64	43.18	2x30P	73.66	76.20
2x5P	10.16	12.70	2x18P	43.18	45.72	2x31P	76.20	78.74
2x6P	12.70	15.24	2x19P	45.72	48.26	2x32P	78.74	81.28
2x7P	15.24	17.78	2x20P	48.26	50.80	2x33P	81.28	83.82
2x8P	17.78	20.32	2x21P	50.80	53.34	2x34P	83.82	86.36
2x9P	20.32	22.86	2x22P	53.34	55.88	2x35P	86.36	88.90
2x10P	22.86	25.40	2x23P	55.88	58.42	2x36P	88.90	91.44
2x11P	25.40	27.94	2x24P	58.42	60.96	2x37P	91.44	93.98
2x12P	27.94	30.48	2x25P	60.96	63.50	2x38P	93.98	96.52
2x13P	30.48	33.02	2x26P	63.50	66.04	2x39P	96.52	99.06
2x14P	33.02	35.56	2x27P	66.04	68.58	2x40P	99.06	101.60



**深圳市华德共创科技有限公司**  
 Shenzhen Huade co-create Technology Co., LTD  
 TEL: 0755-27129737 FAX: 0755-29940187

-TOLERANCES- UNLESS OTHERWISE SPECIFIED 公差参数表		 APPD: 核准: XIE CHECK: 校对: WANG DRAW: 绘图: WANG	TITLE: 2.54mm Pitch 产品名称: 180° Pin Header PART NO: HDGC2541WVC-2xXP 产品编号:				
X.X	±0.30	X.X°	±3°	DATE	SCALE	UNIT	CODE NUMBER
X.XX	±0.30	X.XX°	±2°	2014-07-10	4:1	mm	A008
X.XXX	±0.10	X.XXX°	±1°				

修订 REV	标记 MARK	修改摘要 REVISION DESCRIPTION	签名 SIGNATURE	日期 DATE
A0		NEW RELEASE	WANG	2014-07-10

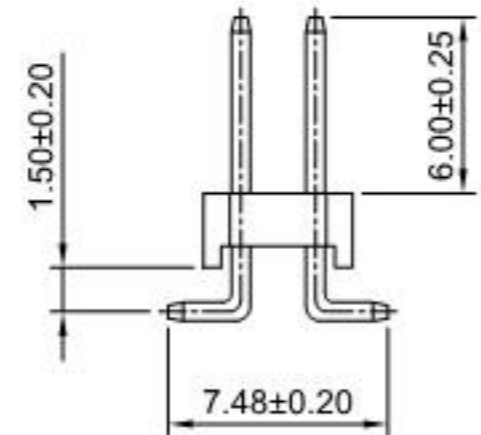
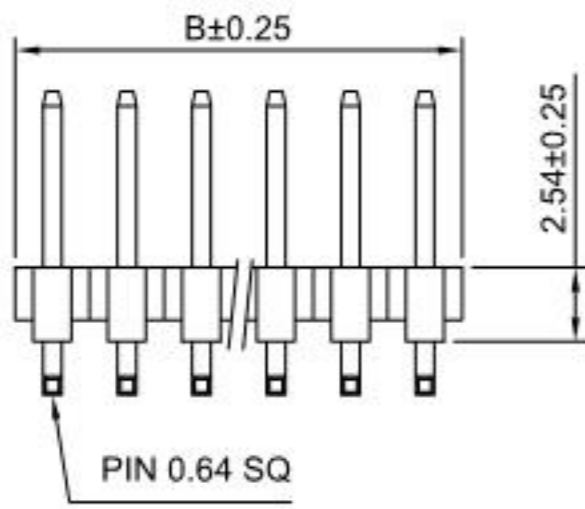
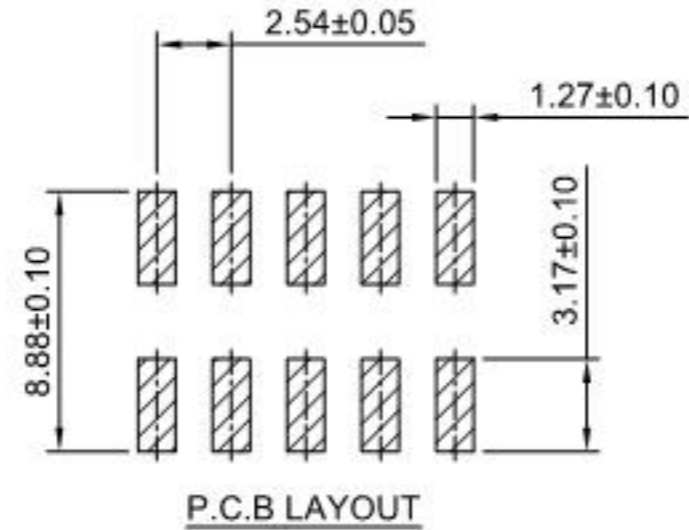
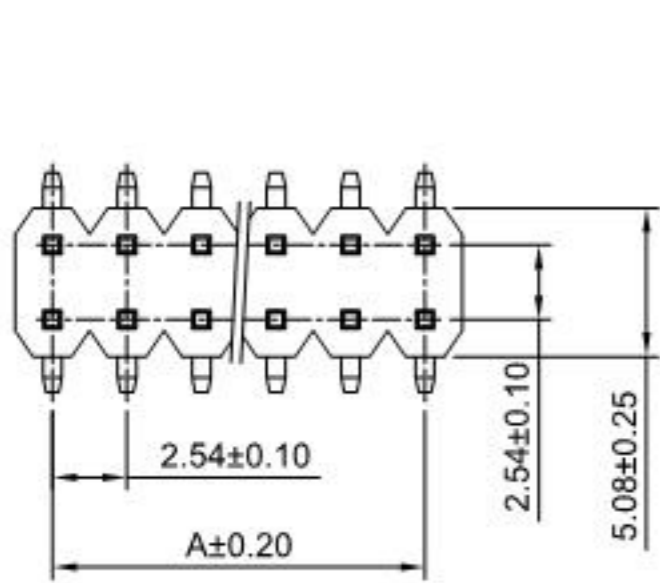


**SPECIFICATIONS:**

Current Rating: 3A AC,DC  
Voltage Rating: 250V AC,DC  
Temperature Range: -25°C ~ +85°C  
Contact Resistance: 20mΩ Max  
Insulation Resistance: 1000MΩ Min  
Withstanding Voltage: 1500V AC/minute  
Pin Material: Brass/Gold over Nickel  
Material: Nylon 6T, UL94V-0(Black)

**Ordering Information & Dimensions**

Circuits	Dim(mm)		Circuits	Dim(mm)		Circuits	Dim(mm)	
	A	B		A	B		A	B
2x2P	2.54	5.08	2x15P	35.56	38.10	2x28P	68.58	71.12
2x3P	5.08	7.62	2x16P	38.10	40.64	2x29P	71.12	73.66
2x4P	7.62	10.16	2x17P	40.64	43.18	2x30P	73.66	76.20
2x5P	10.16	12.70	2x18P	43.18	45.72	2x31P	76.20	78.74
2x6P	12.70	15.24	2x19P	45.72	48.26	2x32P	78.74	81.28
2x7P	15.24	17.78	2x20P	48.26	50.80	2x33P	81.28	83.82
2x8P	17.78	20.32	2x21P	50.80	53.34	2x34P	83.82	86.36
2x9P	20.32	22.86	2x22P	53.34	55.88	2x35P	86.36	88.90
2x10P	22.86	25.40	2x23P	55.88	58.42	2x36P	88.90	91.44
2x11P	25.40	27.94	2x24P	58.42	60.96	2x37P	91.44	93.98
2x12P	27.94	30.48	2x25P	60.96	63.50	2x38P	93.98	96.52
2x13P	30.48	33.02	2x26P	63.50	66.04	2x39P	96.52	99.06
2x14P	33.02	35.56	2x27P	66.04	68.58	2x40P	99.06	101.60



**深圳市华德共创科技有限公司**

Shenzhen Huade co-create Technology Co., LTD  
TEL: 0755-27129737 FAX: 0755-29940187

-TOLERANCES- UNLESS OTHERWISE SPECIFIED 公差参数表						TITLE: 2.54mm Pitch 产品名称: 180° Pin Header			
X.X	±0.30	X.X°	±3°	APPD: 核准:	XIE	PART NO: 产品编号: HDGC2541WV-S-2xXP			
X.XX	±0.30	X.XX°	±2°	CHECK: 校对:	WANG	DATE	SCALE	UNIT	CODE NUMBER
X.XXX	±0.10	X.XXX°	±1°	DRAW: 绘图:	WANG	2014-07-10	3:1	mm	A008

修订 REV	标记 MARK	修改摘要 REVISION DESCRIPTION	签名 SIGNATURE	日期 DATE
A0		NEW RELEASE	WANG	2014-07-10

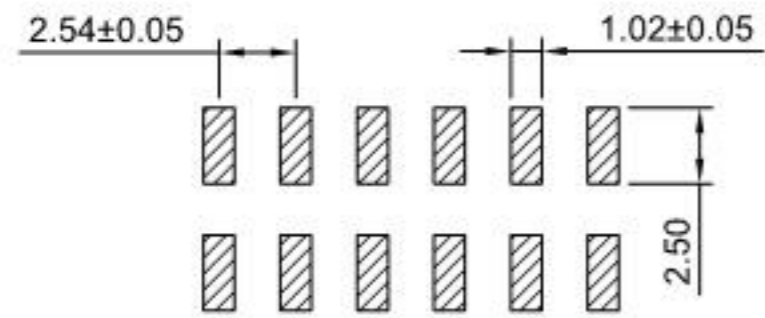
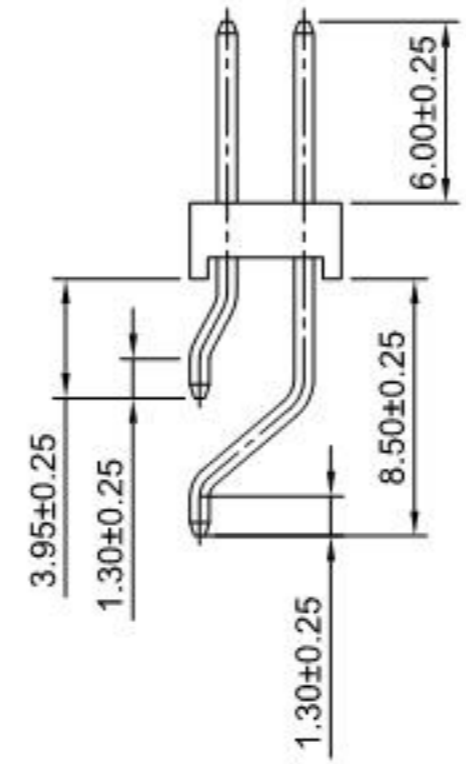
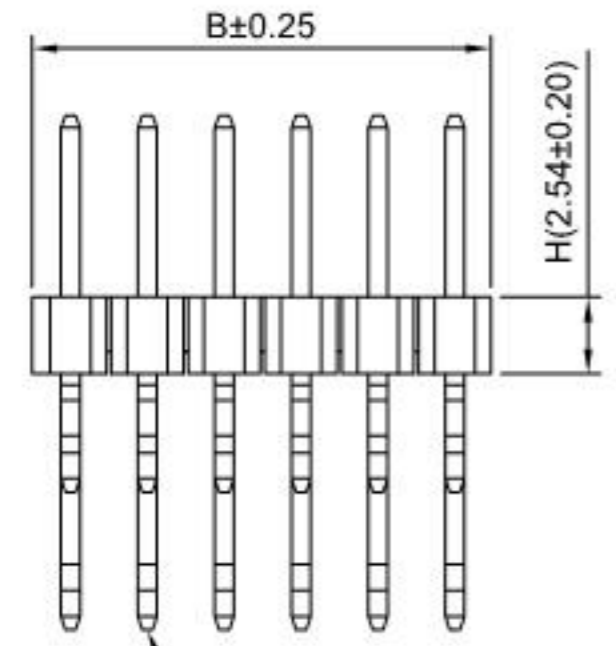
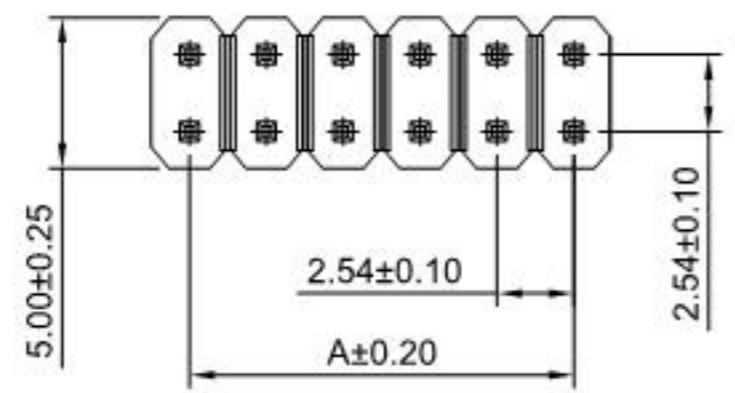
Ordering Information:  
 HDGC2541WR-S-2xXP - <sup>\*\*\*</sup>/<sub>2</sub> - <sup>\*</sup>/<sub>3</sub> - <sup>\*\*\*</sup>/<sub>4</sub>

- 1.Part No.
- 2.Size(H):  
 (blank): 2.54mm  
 H15: 1.50mm  
 H17: 1.70mm  
 H20: 2.00mm  
 H30: 3.00mm
- 3.Finish:  
 (blank): Gold over Nickel  
 T: Tin over Nickel
- 4.Material:  
 (blank): Nylon 6T,UL94V-0  
 GWT: Nylon 6T,UL94V-0,GWT 750°C

**SPECIFICATIONS:**  
 Current Rating: 3A AC,DC  
 Voltage Rating: 250V AC,DC  
 Temperature Range: -25°C ~ +85°C  
 Contact Resistance: 20mΩ Max  
 Insulation Resistance: 1000MΩ Min  
 Withstanding Voltage: 1500V AC/minute  
 Pin Material:Brass/Gold over Nickel  
 Material:Nylon 6T,UL94V-0(Black)

Ordering Information & Dimensions

Circuits	Dim(mm)		Circuits	Dim(mm)		Circuits	Dim(mm)	
	A	B		A	B		A	B
2x2P	2.54	5.08	2x15P	35.56	38.10	2x28P	68.58	71.12
2x3P	5.08	7.62	2x16P	38.10	40.64	2x29P	71.12	73.66
2x4P	7.62	10.16	2x17P	40.64	43.18	2x30P	73.66	76.20
2x5P	10.16	12.70	2x18P	43.18	45.72	2x31P	76.20	78.74
2x6P	12.70	15.24	2x19P	45.72	48.26	2x32P	78.74	81.28
2x7P	15.24	17.78	2x20P	48.26	50.80	2x33P	81.28	83.82
2x8P	17.78	20.32	2x21P	50.80	53.34	2x34P	83.82	86.36
2x9P	20.32	22.86	2x22P	53.34	55.88	2x35P	86.36	88.90
2x10P	22.86	25.40	2x23P	55.88	58.42	2x36P	88.90	91.44
2x11P	25.40	27.94	2x24P	58.42	60.96	2x37P	91.44	93.98
2x12P	27.94	30.48	2x25P	60.96	63.50	2x38P	93.98	96.52
2x13P	30.48	33.02	2x26P	63.50	66.04	2x39P	96.52	99.06
2x14P	33.02	35.56	2x27P	66.04	68.58	2x40P	99.06	101.60



P.C.B LAYOUT

**HDGC** 深圳市华德共创科技有限公司  
 Shenzhen Huade co-create Technology Co., LTD  
 TEL: 0755-27129737 FAX: 0755-29940187

-TOLERANCES- UNLESS OTHERWISE SPECIFIED 公差参数表				TITLE: 产品名称: 2.54mm Pitch 90° Pin Header	
X.X	±0.30	X.X°	±3°	APPD: 核准:	XIE
X.XX	±0.30	X.XX°	±2°	CHECK: 校对:	WANG
X.XXX	±0.10	X.XXX°	±1°	DRAW: 绘图:	WANG
PART NO: 产品编号: HDGC2541WR-S-2xXP		DATE	SCALE	UNIT	CODE NUMBER
		2014-07-10	3:1	mm	A008

修订 REV	标记 MARK	修改摘要 REVISION DESCRIPTION	签名 SIGNATURE	日期 DATE
A0		NEW RELEASE	WANG	2014-07-10

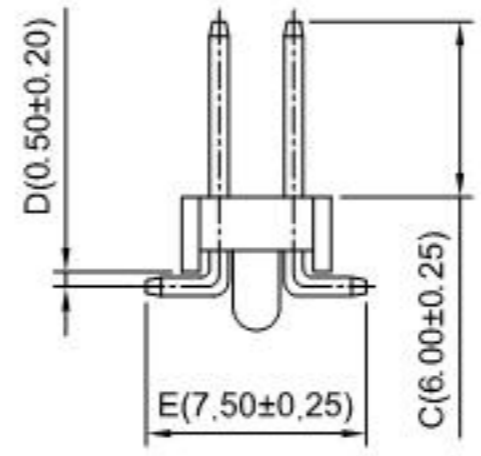
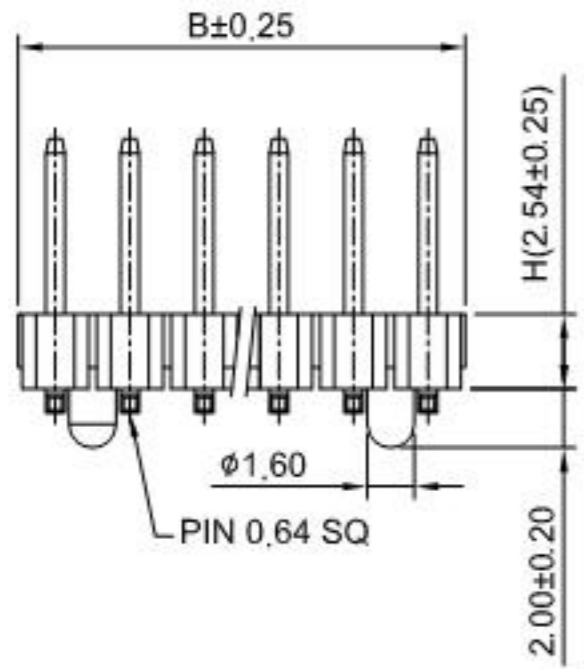
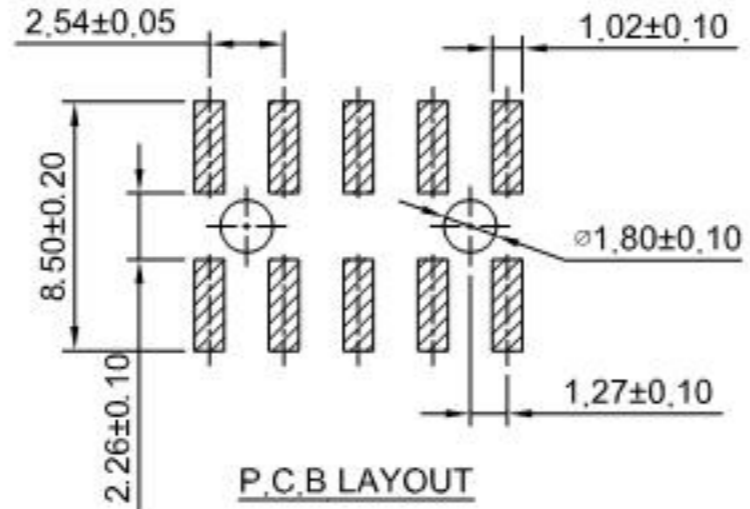
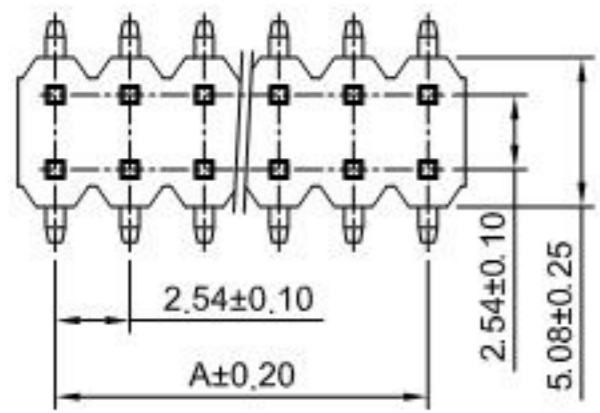
Ordering Information:  
 HDGC2541WV-S-F-2xXP -  $\frac{xxx}{1} - \frac{x}{2} - \frac{x}{3} - \frac{xxx}{4}$

- Part No.
- Size(H):  
 (blank): 2.54mm  
 H15: 1.50mm  
 H17: 1.70mm  
 H20: 2.00mm  
 H30: 3.00mm
- Finish:  
 (blank): Gold over Nickel  
 T: Tin over Nickel
- Material:  
 (blank): Nylon 6T,UL94V-0  
 GWT: Nylon 6T,UL94V-0,GWT 750°C

**SPECIFICATIONS:**  
 Current Rating: 3A AC,DC  
 Voltage Rating: 250V AC,DC  
 Temperature Range: -25°C ~ +85°C  
 Contact Resistance: 20mΩ Max  
 Insulation Resistance: 1000MΩ Min  
 Withstanding Voltage: 1500V AC/minute  
 Pin Material: Brass/Gold over Nickel  
 Material: Nylon 6T,UL94V-0(Black)

Ordering Information & Dimensions

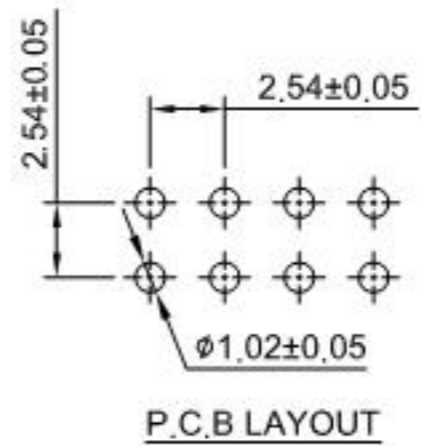
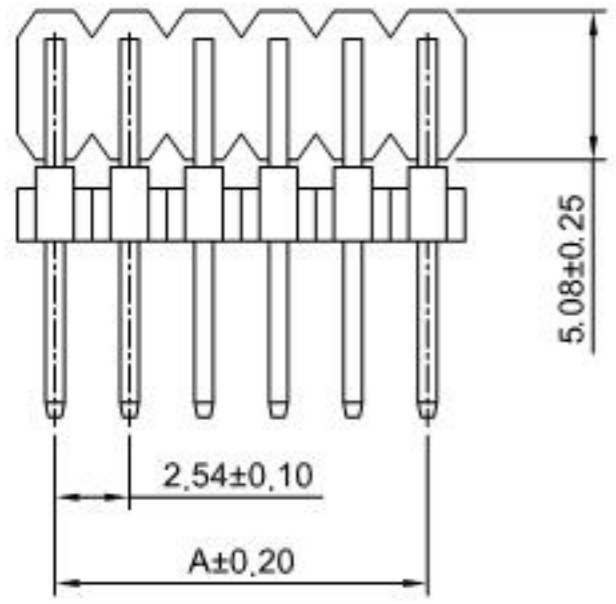
Circuits	Dim(mm)		Circuits	Dim(mm)		Circuits	Dim(mm)	
	A	B		A	B		A	B
2x2P	2.54	5.08	2x15P	35.56	38.10	2x28P	68.58	71.12
2x3P	5.08	7.62	2x16P	38.10	40.64	2x29P	71.12	73.66
2x4P	7.62	10.16	2x17P	40.64	43.18	2x30P	73.66	76.20
2x5P	10.16	12.70	2x18P	43.18	45.72	2x31P	76.20	78.74
2x6P	12.70	15.24	2x19P	45.72	48.26	2x32P	78.74	81.28
2x7P	15.24	17.78	2x20P	48.26	50.80	2x33P	81.28	83.82
2x8P	17.78	20.32	2x21P	50.80	53.34	2x34P	83.82	86.36
2x9P	20.32	22.86	2x22P	53.34	55.88	2x35P	86.36	88.90
2x10P	22.86	25.40	2x23P	55.88	58.42	2x36P	88.90	91.44
2x11P	25.40	27.94	2x24P	58.42	60.96	2x37P	91.44	93.98
2x12P	27.94	30.48	2x25P	60.96	63.50	2x38P	93.98	96.52
2x13P	30.48	33.02	2x26P	63.50	66.04	2x39P	96.52	99.06
2x14P	33.02	35.56	2x27P	66.04	68.58	2x40P	99.06	101.60



**HDGC** 深圳市华德共创科技有限公司  
 Shenzhen Huade co-create Technology Co., LTD  
 TEL: 0755-27129737 FAX: 0755-29940187

-TOLERANCES- UNLESS OTHERWISE SPECIFIED 公差参数表				TITLE: 2.54mm Pitch 产品名称: 180° Pin Header	
X.X	±0.30	X.X°	±3°	APPD: 核准:	XIE
X.XX	±0.30	X.XX°	±2°	CHECK: 校对:	WANG
X.XXX	±0.10	X.XXX°	±1°	DRAW: 绘图:	WANG
PART NO: 产品编号:		DATE		SCALE	UNIT
HDGC2541WV-S-F-2xXP		2014-07-10		3:1	mm
				CODE NUMBER	A008

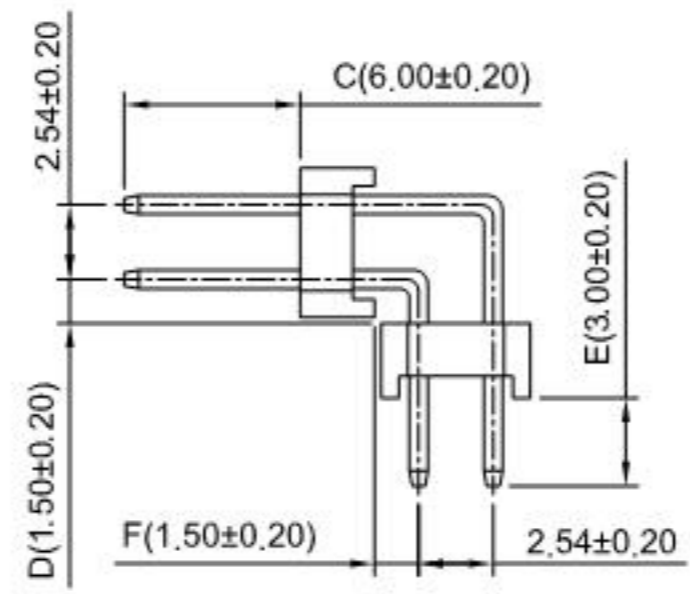
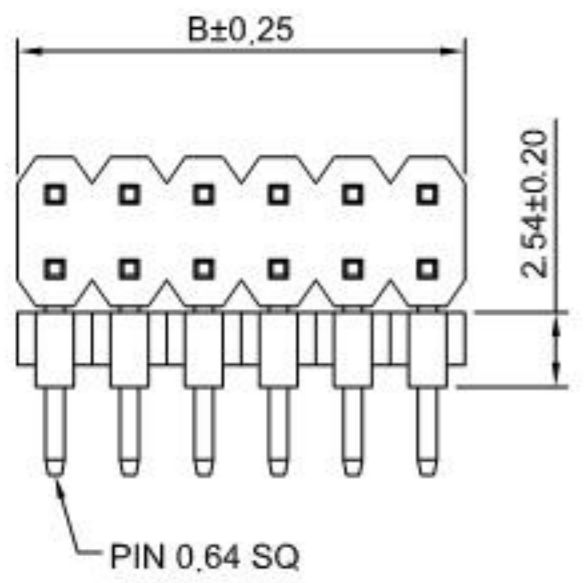
修订 REV	标记 MARK	修改摘要 REVISION DESCRIPTION	签名 SIGNATURE	日期 DATE
A0		NEW RELEASE	WANG	2015-08-22



**SPECIFICATIONS:**  
 Current Rating: 3A AC,DC  
 Voltage Rating: 250V AC,DC  
 Temperature Range: -25°C ~ +85°C  
 Contact Resistance: 20mΩ Max  
 Insulation Resistance: 1000MΩ Min  
 Withstanding Voltage: 1500V AC/minute  
 Pin Material: Brass/Gold over Nickel  
 Material: PBT 30%GF, UL94V-0(Black)

**Ordering Information & Dimensions**

Circuits	Dim(mm)		Circuits	Dim(mm)		Circuits	Dim(mm)	
	A	B		A	B		A	B
2x1P	----	2.54	2x15P	35.56	38.10	2x29P	71.12	73.66
2x2P	2.54	5.08	2x16P	38.10	40.64	2x30P	73.66	76.20
2x3P	5.08	7.62	2x17P	40.64	43.18	2x31P	76.20	78.74
2x4P	7.62	10.16	2x18P	43.18	45.72	2x32P	78.74	81.28
2x5P	10.16	12.70	2x19P	45.72	48.26	2x33P	81.28	83.82
2x6P	12.70	15.24	2x20P	48.26	50.80	2x34P	83.82	86.36
2x7P	15.24	17.78	2x21P	50.80	53.34	2x35P	86.36	88.90
2x8P	17.78	20.32	2x22P	53.34	55.88	2x36P	88.90	91.44
2x9P	20.32	22.86	2x23P	55.88	58.42	2x37P	91.44	93.98
2x10P	22.86	25.40	2x24P	58.42	60.96	2x38P	93.98	96.52
2x11P	25.40	27.94	2x25P	60.96	63.50	2x39P	96.52	99.06
2x12P	27.94	30.48	2x26P	63.50	66.04	2x40P	99.06	101.60
2x13P	30.48	33.02	2x27P	66.04	68.58			
2x14P	33.02	35.56	2x28P	68.58	71.12			



**深圳市华德共创科技有限公司**  
 Shenzhen Huade co-create Technology Co., LTD  
 TEL: 0755-27129737 FAX: 0755-29940187

-TOLERANCES- UNLESS OTHERWISE SPECIFIED 公差参数表						TITLE: 2.54mm Pitch 产品名称: 90° Pin Header			
X.X	±0.30	X.X°	±3°	APPD: 核准:	XIE	PART NO: 产品编号: HDGC2541WRB-2xXP			
X.XX	±0.30	X.XX°	±2°	CHECK: 校对:	WANG	DATE	SCALE	UNIT	CODE NUMBER
X.XXX	±0.10	X.XXX°	±1°	DRAW: 绘图:	WANG	2015-08-22	3:1	mm	A008

修订 REV	标记 MARK	修改摘要 REVISION DESCRIPTION	签名 SIGNATURE	日期 DATE
A0		NEW RELEASE	WANG	2014-07-10

Ordering Information:  
 HDGC2541WV-2xXP-H43 -  $\frac{*}{2} - \frac{***}{3}$

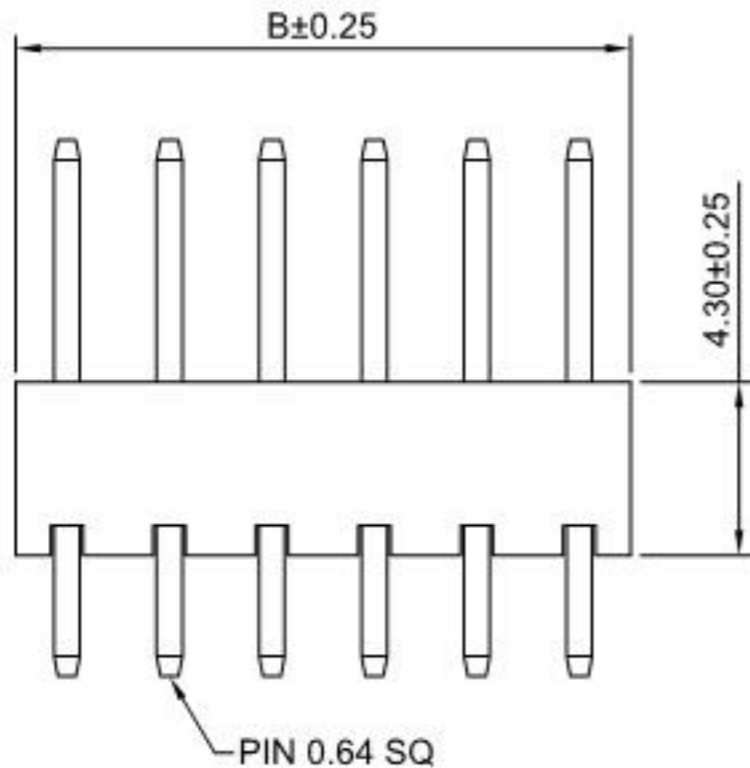
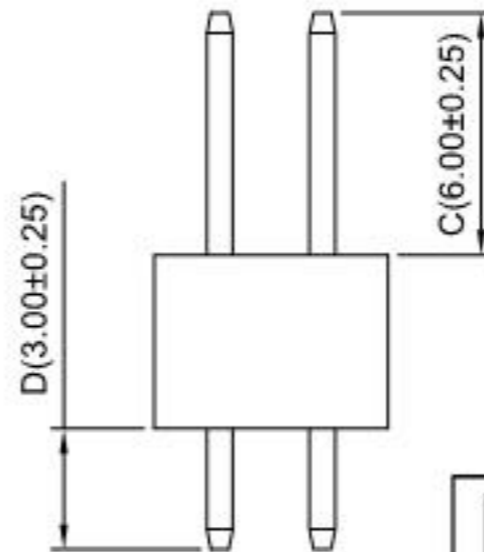
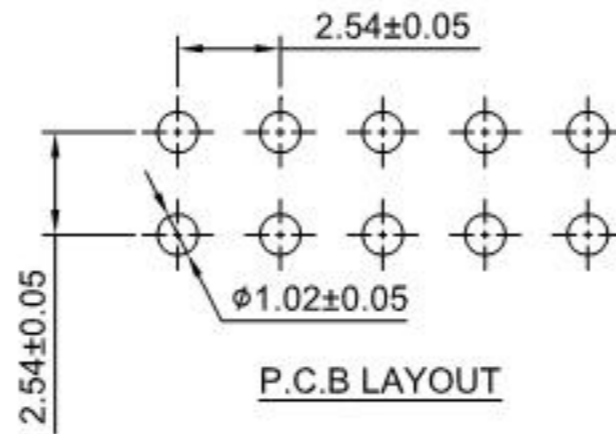
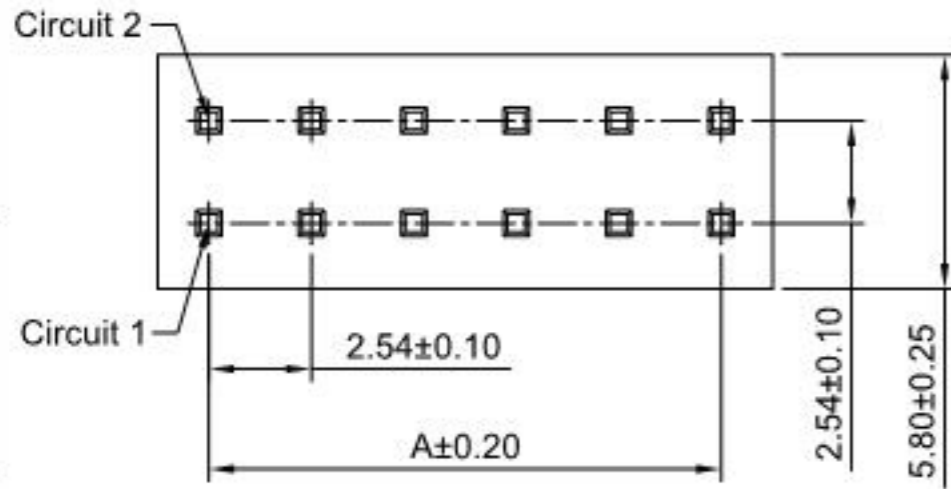
- 1.Part No.
- 2.Finish:  
 (blank): Gold over Nickel  
 T: Tin over Nickel
- 3.Material:  
 (blank): PBT,UL94V-0  
 6T: Nylon 6T,UL94V-0  
 GWT: Nylon 6T,UL94V-0,GWT 750°C

**SPECIFICATIONS:**

Current Rating: 3A AC,DC  
 Voltage Rating: 250V AC,DC  
 Temperature Range: -25°C ~ +85°C  
 Contact Resistance: 20mΩ Max  
 Insulation Resistance: 1000MΩ Min  
 Withstanding Voltage: 1500V AC/minute  
 Pin Material: Brass/Gold over Nickel  
 Material: PBT,UL94V-0 (Black)

Ordering Information & Dimensions

Circuits	Dim(mm)		Circuits	Dim(mm)		Circuits	Dim(mm)	
	A	B		A	B		A	B
2x2P	2.54	5.08	2x15P	35.56	38.10	2x28P	68.58	71.12
2x3P	5.08	7.62	2x16P	38.10	40.64	2x29P	71.12	73.66
2x4P	7.62	10.16	2x17P	40.64	43.18	2x30P	73.66	76.20
2x5P	10.16	12.70	2x18P	43.18	45.72	2x31P	76.20	78.74
2x6P	12.70	15.24	2x19P	45.72	48.26	2x32P	78.74	81.28
2x7P	15.24	17.78	2x20P	48.26	50.80	2x33P	81.28	83.82
2x8P	17.78	20.32	2x21P	50.80	53.34	2x34P	83.82	86.36
2x9P	20.32	22.86	2x22P	53.34	55.88	2x35P	86.36	88.90
2x10P	22.86	25.40	2x23P	55.88	58.42	2x36P	88.90	91.44
2x11P	25.40	27.94	2x24P	58.42	60.96	2x37P	91.44	93.98
2x12P	27.94	30.48	2x25P	60.96	63.50	2x38P	93.98	96.52
2x13P	30.48	33.02	2x26P	63.50	66.04	2x39P	96.52	99.06
2x14P	33.02	35.56	2x27P	66.04	68.58	2x40P	99.06	101.60



深圳市华德共创科技有限公司  
 Shenzhen Huade co-create Technology Co., LTD  
 TEL: 0755-27129737 FAX: 0755-29940187

-TOLERANCES- UNLESS OTHERWISE SPECIFIED 公差参数表				TITLE: 2.54mm Pitch 产品名称: 180° Pin Header	
X.X	±0.30	X.X°	±3°	APPD: 核准:	XIE
X.XX	±0.30	X.XX°	±2°	CHECK: 校对:	WANG
X.XXX	±0.10	X.XXX°	±1°	DRAW: 绘图:	WANG
PART NO: 产品编号:		DATE		SCALE	UNIT
HDGC2541WV-2xXP-H43		2014-07-10		4:1	mm
CODE NUMBER				A008	

修订 REV	标记 MARK	修改摘要 REVISION DESCRIPTION	签名 SIGNATURE	日期 DATE
A0		NEW RELEASE	WANG	2014-07-10

Ordering Information:  
 HDGC2541WR-2xXP-H43 -  $\frac{*}{2}$  -  $\frac{***}{3}$

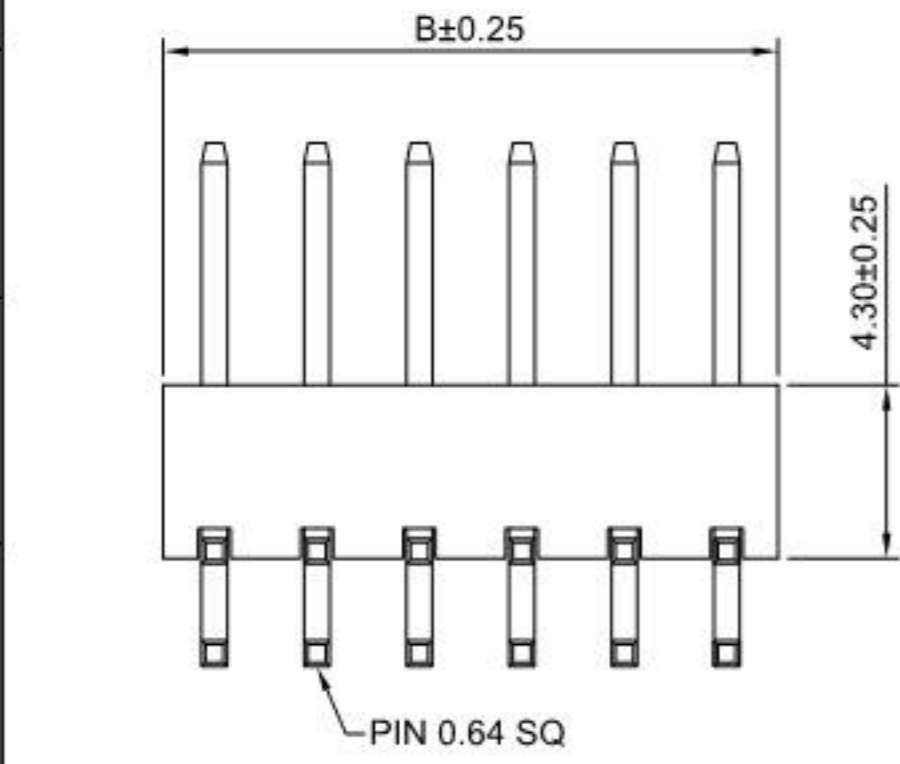
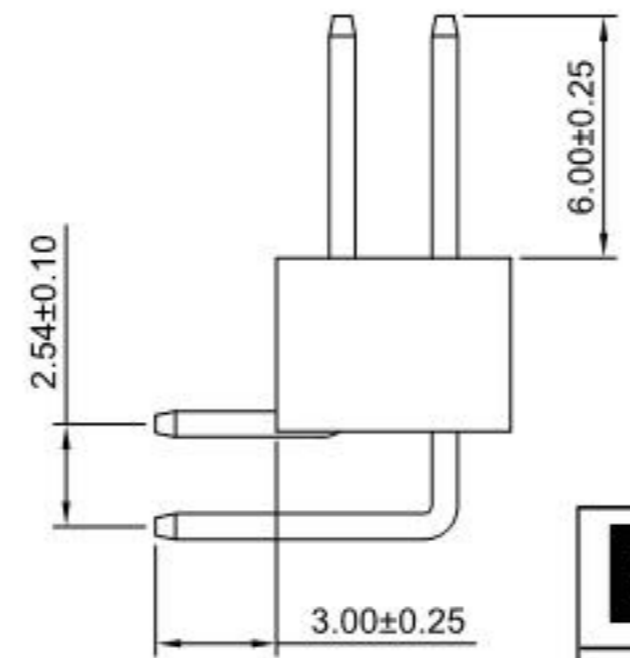
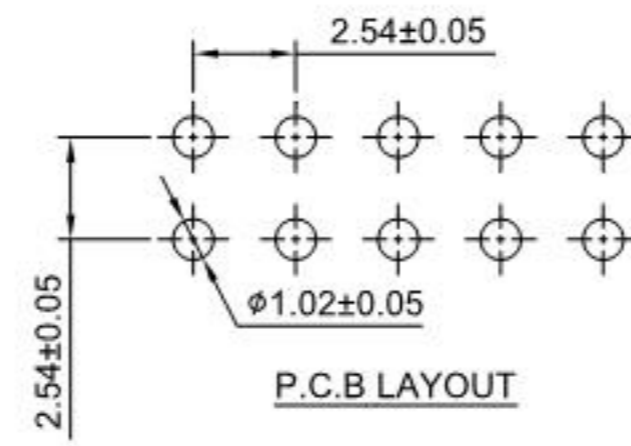
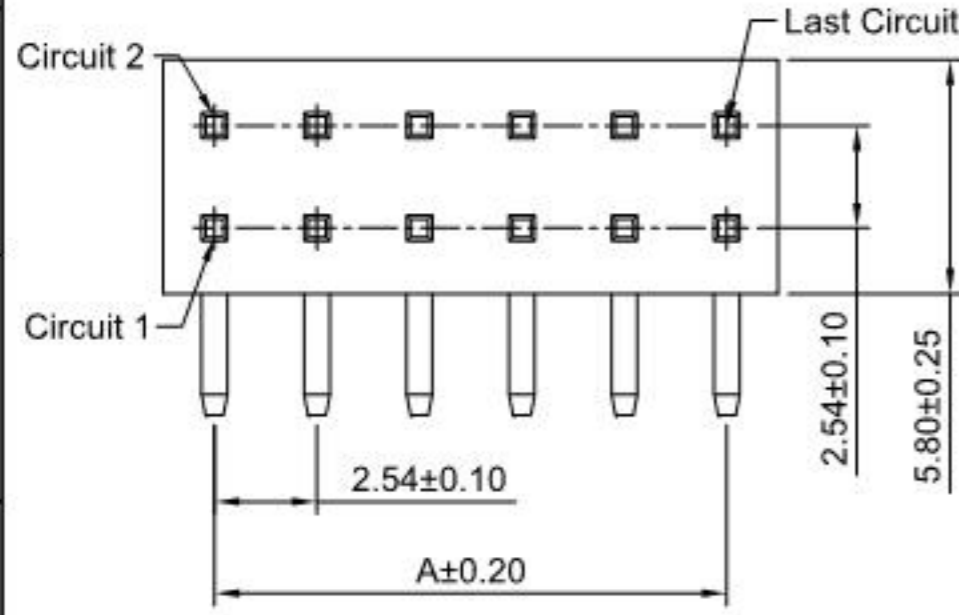
- 1.Part No.
- 2.Finish:  
 (blank):Gold over Nickel  
 T:Tin over Nickel
- 3.Material:  
 (blank):PBT,UL94V-0  
 6T:Nylon 6T,UL94V-0  
 GWT:Nylon 6T,UL94V-0,GWT 750°C

**SPECIFICATIONS:**

Current Rating: 3A AC,DC  
 Voltage Rating: 250V AC,DC  
 Temperature Range: -25°C ~ +85°C  
 Contact Resistance: 20mΩ Max  
 Insulation Resistance: 1000MΩ Min  
 Withstanding Voltage: 1500V AC/minute  
 Pin Material:Brass/Gold over Nickel  
 Material:PBT,UL94V-0 (Black)

Ordering Information & Dimensions

Circuits	Dim(mm)		Circuits	Dim(mm)		Circuits	Dim(mm)	
	A	B		A	B		A	B
2x2P	2.54	5.08	2x15P	35.56	38.10	2x28P	68.58	71.12
2x3P	5.08	7.62	2x16P	38.10	40.64	2x29P	71.12	73.66
2x4P	7.62	10.16	2x17P	40.64	43.18	2x30P	73.66	76.20
2x5P	10.16	12.70	2x18P	43.18	45.72	2x31P	76.20	78.74
2x6P	12.70	15.24	2x19P	45.72	48.26	2x32P	78.74	81.28
2x7P	15.24	17.78	2x20P	48.26	50.80	2x33P	81.28	83.82
2x8P	17.78	20.32	2x21P	50.80	53.34	2x34P	83.82	86.36
2x9P	20.32	22.86	2x22P	53.34	55.88	2x35P	86.36	88.90
2x10P	22.86	25.40	2x23P	55.88	58.42	2x36P	88.90	91.44
2x11P	25.40	27.94	2x24P	58.42	60.96	2x37P	91.44	93.98
2x12P	27.94	30.48	2x25P	60.96	63.50	2x38P	93.98	96.52
2x13P	30.48	33.02	2x26P	63.50	66.04	2x39P	96.52	99.06
2x14P	33.02	35.56	2x27P	66.04	68.58	2x40P	99.06	101.60



**深圳市华德共创科技有限公司**  
 Shenzhen Huade co-create Technology Co., LTD  
 TEL: 0755-27129737 FAX: 0755-29940187

-TOLERANCES- UNLESS OTHERWISE SPECIFIED 公差参数表			TITLE: 2.54mm Pitch 产品名称: 90° Pin Header						
X.X	±0.30	X.X°	±3°	APPD: 核准:	XIE	PART NO: 产品编号: HDGC2541WR-2xXP-H43			
X.XX	±0.30	X.XX°	±2°	CHECK: 校对:	WANG	DATE	SCALE	UNIT	CODE NUMBER
X.XXX	±0.10	X.XXX°	±1°	DRAW: 绘图:	WANG	2014-07-10	4:1	mm	A008

修订 REV	标记 MARK	修改摘要 REVISION DESCRIPTION	签名 SIGNATURE	日期 DATE
A0		NEW RELEASE	WANG	2014-07-10

Ordering Information:  
 HDGC2541WV-S-2xXP-H43 - <sup>\*</sup>/<sub>2</sub> - <sup>\*\*\*</sup>/<sub>3</sub>

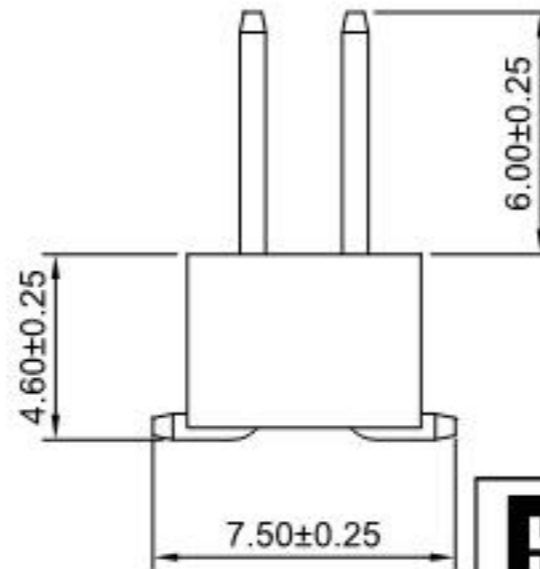
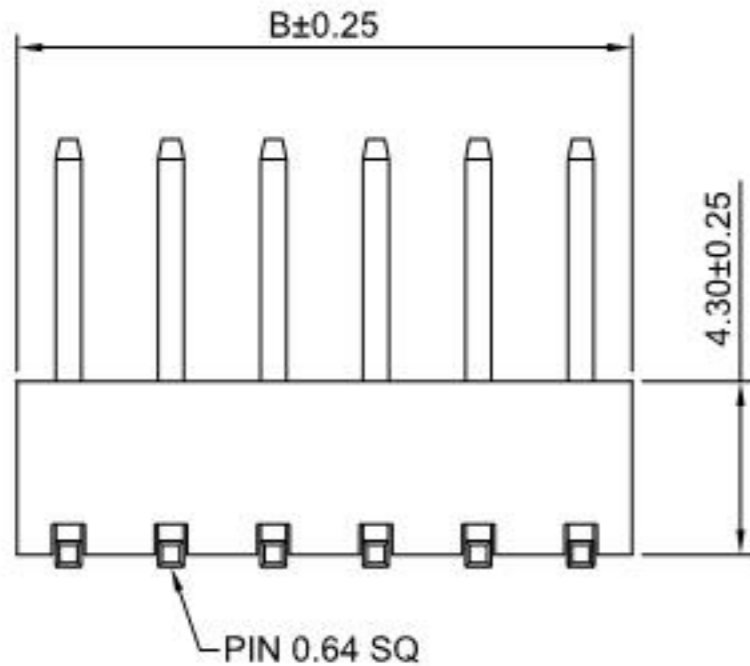
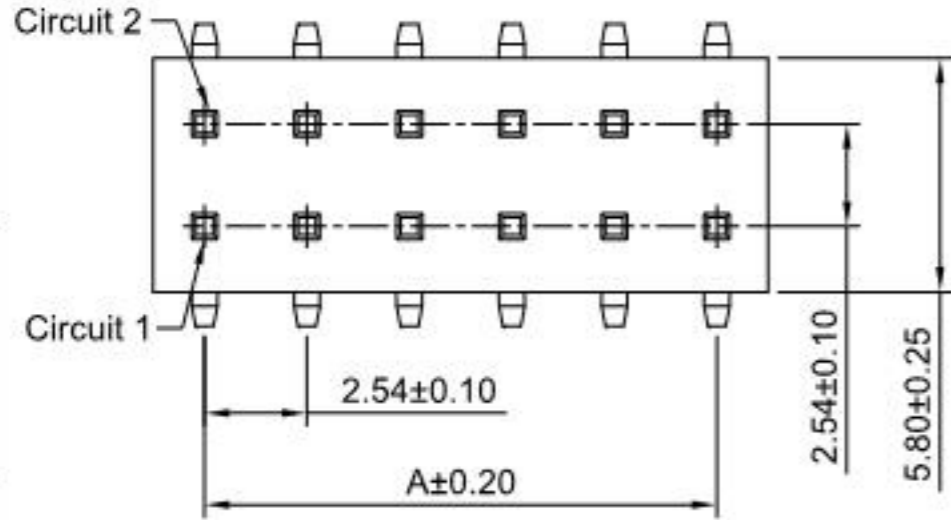
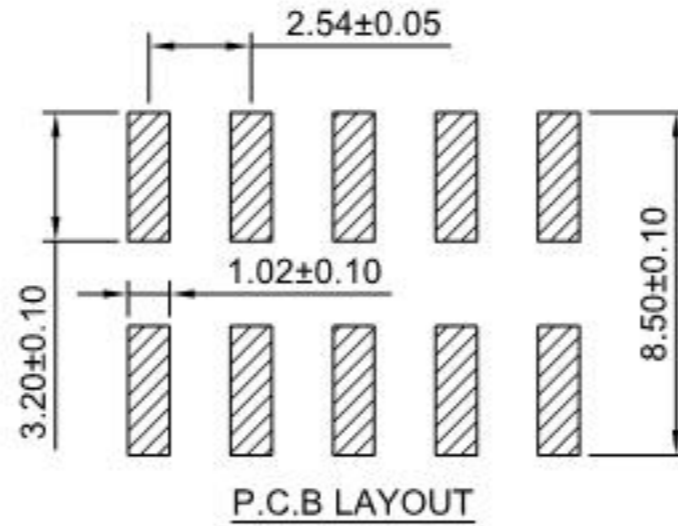
- 1.Part No.
- 2.Finish:  
 (blank): Gold over Nickel  
 T: Tin over Nickel
- 3.Material:  
 (blank): Nylon 6T,UL94V-0  
 GWT: Nylon 6T,UL94V-0,GWT 750°C

**SPECIFICATIONS:**

Current Rating: 3A AC,DC  
 Voltage Rating: 250V AC,DC  
 Temperature Range: -25°C ~ +85°C  
 Contact Resistance: 20mΩ Max  
 Insulation Resistance: 1000MΩ Min  
 Withstanding Voltage: 1500V AC/minute  
 Pin Material:Brass/Gold over Nickel  
 Material:Nylon 6T,UL94V-0 (Black)

Ordering Information & Dimensions

Circuits	Dim(mm)		Circuits	Dim(mm)		Circuits	Dim(mm)	
	A	B		A	B		A	B
2x2P	2.54	5.08	2x15P	35.56	38.10	2x28P	68.58	71.12
2x3P	5.08	7.62	2x16P	38.10	40.64	2x29P	71.12	73.66
2x4P	7.62	10.16	2x17P	40.64	43.18	2x30P	73.66	76.20
2x5P	10.16	12.70	2x18P	43.18	45.72	2x31P	76.20	78.74
2x6P	12.70	15.24	2x19P	45.72	48.26	2x32P	78.74	81.28
2x7P	15.24	17.78	2x20P	48.26	50.80	2x33P	81.28	83.82
2x8P	17.78	20.32	2x21P	50.80	53.34	2x34P	83.82	86.36
2x9P	20.32	22.86	2x22P	53.34	55.88	2x35P	86.36	88.90
2x10P	22.86	25.40	2x23P	55.88	58.42	2x36P	88.90	91.44
2x11P	25.40	27.94	2x24P	58.42	60.96	2x37P	91.44	93.98
2x12P	27.94	30.48	2x25P	60.96	63.50	2x38P	93.98	96.52
2x13P	30.48	33.02	2x26P	63.50	66.04	2x39P	96.52	99.06
2x14P	33.02	35.56	2x27P	66.04	68.58	2x40P	99.06	101.60



深圳市华德共创科技有限公司  
 Shenzhen Huade co-create Technology Co., LTD  
 TEL: 0755-27129737 FAX: 0755-29940187

-TOLERANCES- UNLESS OTHERWISE SPECIFIED 公差参数表				TITLE: 产品名称: 2.54mm Pitch 180° Pin Header	
X.X	±0.30	X.X°	±3°	APPD: 核准:	XIE
X.XX	±0.30	X.XX°	±2°	CHECK: 校对:	WANG
X.XXX	±0.10	X.XXX°	±1°	DRAW: 绘图:	WANG
PART NO: 产品编号: HDGC2541WV-S-2xXP-H43			DATE	SCALE	UNIT
			2014-07-10	4:1	mm
			CODE NUMBER A008		

修订 REV	标记 MARK	修改摘要 REVISION DESCRIPTION	签名 SIGNATURE	日期 DATE
A0		NEW RELEASE	WANG	2014-07-10

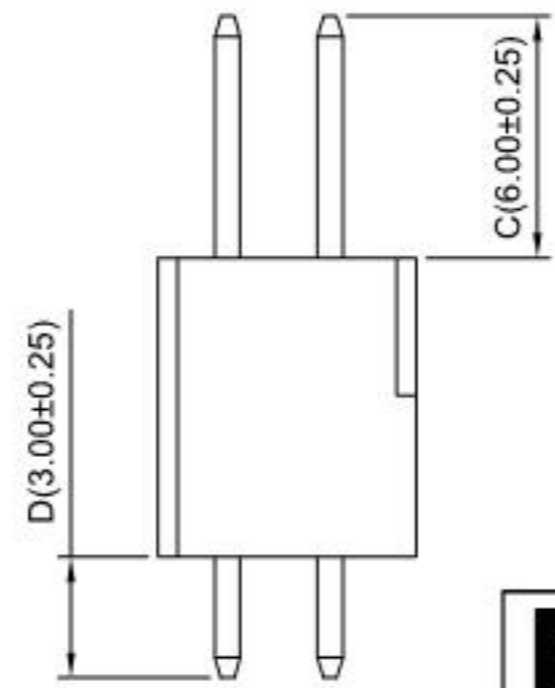
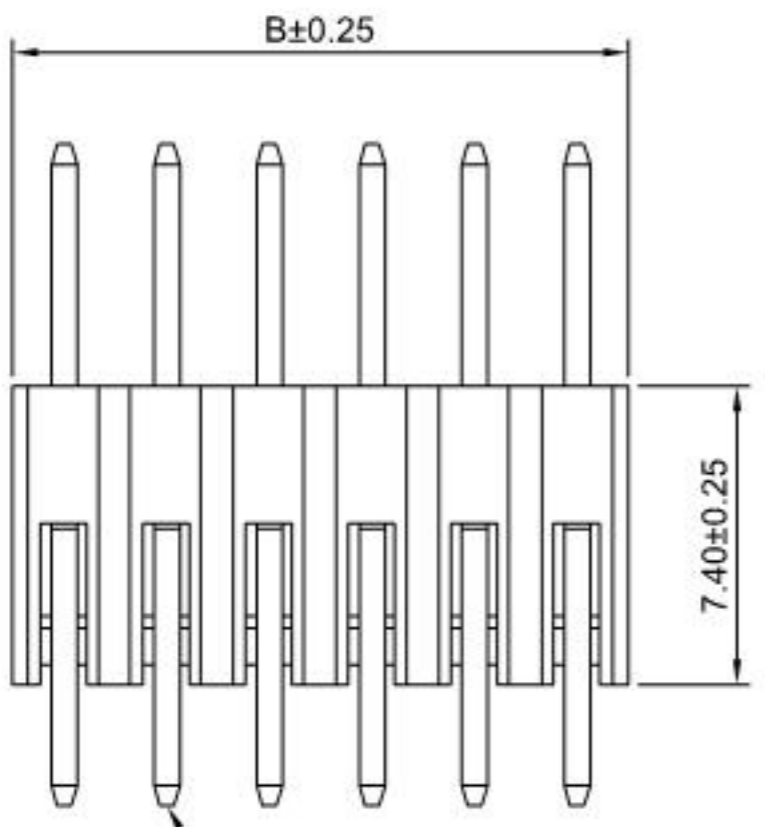
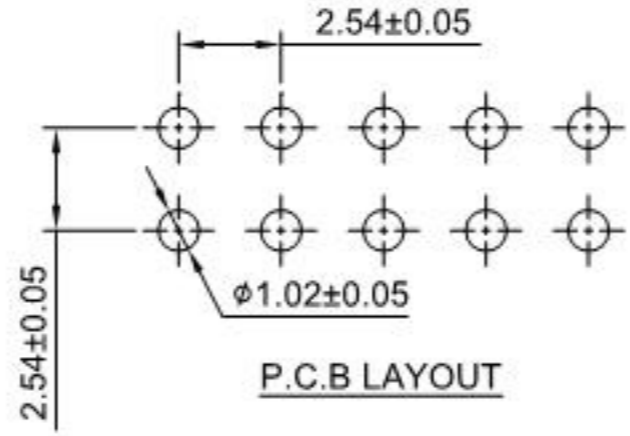
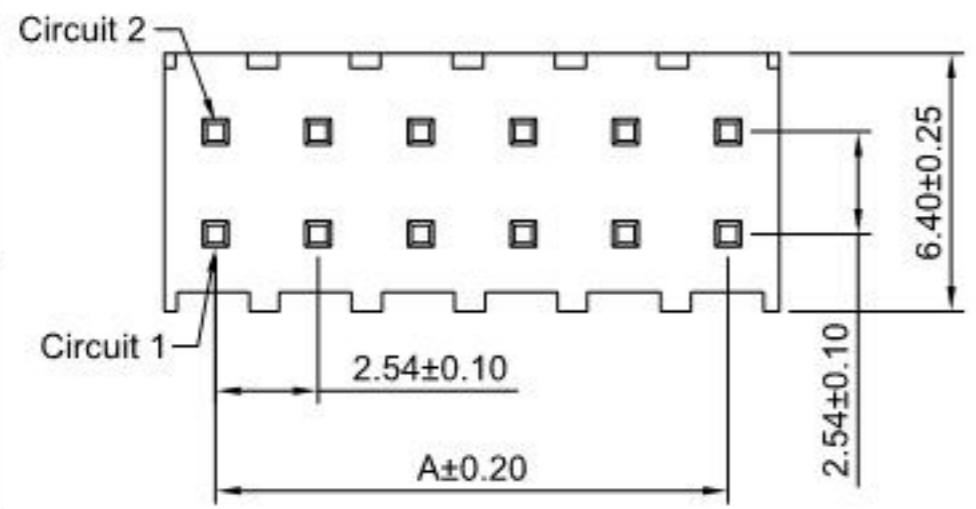
Ordering Information:  
**HDGC2541WV-2xXP-H74** -  $\frac{*}{2}$  -  $\frac{***}{3}$

- Part No.
- Finish:  
 (blank): Gold over Nickel  
 T: Tin over Nickel
- Material:  
 (blank): PBT,UL94V-0  
 6T: Nylon 6T,UL94V-0  
 GWT: Nylon 6T,UL94V-0,GWT 750°C

**SPECIFICATIONS:**  
 Current Rating: 3A AC,DC  
 Voltage Rating: 250V AC,DC  
 Temperature Range: -25°C ~ +85°C  
 Contact Resistance: 20mΩ Max  
 Insulation Resistance: 1000MΩ Min  
 Withstanding Voltage: 1500V AC/minute  
 Pin Material: Brass/Gold over Nickel  
 Material: PBT,UL94V-0 (Black)

Ordering Information & Dimensions

Circuits	Dim(mm)		Circuits	Dim(mm)		Circuits	Dim(mm)	
	A	B		A	B		A	B
2x2P	2.54	5.08	2x15P	35.56	38.10	2x28P	68.58	71.12
2x3P	5.08	7.62	2x16P	38.10	40.64	2x29P	71.12	73.66
2x4P	7.62	10.16	2x17P	40.64	43.18	2x30P	73.66	76.20
2x5P	10.16	12.70	2x18P	43.18	45.72	2x31P	76.20	78.74
2x6P	12.70	15.24	2x19P	45.72	48.26	2x32P	78.74	81.28
2x7P	15.24	17.78	2x20P	48.26	50.80	2x33P	81.28	83.82
2x8P	17.78	20.32	2x21P	50.80	53.34	2x34P	83.82	86.36
2x9P	20.32	22.86	2x22P	53.34	55.88	2x35P	86.36	88.90
2x10P	22.86	25.40	2x23P	55.88	58.42	2x36P	88.90	91.44
2x11P	25.40	27.94	2x24P	58.42	60.96	2x37P	91.44	93.98
2x12P	27.94	30.48	2x25P	60.96	63.50	2x38P	93.98	96.52
2x13P	30.48	33.02	2x26P	63.50	66.04	2x39P	96.52	99.06
2x14P	33.02	35.56	2x27P	66.04	68.58	2x40P	99.06	101.60



PIN 0.64 SQ

**HDGC** 深圳市华德共创科技有限公司  
 Shenzhen Huade co-create Technology Co., LTD  
 TEL: 0755-27129737 FAX: 0755-29940187

-TOLERANCES- UNLESS OTHERWISE SPECIFIED 公差参数表				TITLE: 2.54mm Pitch 产品名称: 180° Pin Header	
X.X	±0.30	X.X°	±3°	APPD: 核准:	XIE
X.XX	±0.30	X.XX°	±2°	CHECK: 校对:	WANG
X.XXX	±0.10	X.XXX°	±1°	DRAW: 绘图:	WANG
PART NO: 产品编号:		DATE		SCALE	UNIT
HDGC2541WV-2xXP-H74		2014-07-10		4:1	mm
CODE NUMBER		A008			

修订 REV	标记 MARK	修改摘要 REVISION DESCRIPTION	签名 SIGNATURE	日期 DATE
A0		NEW RELEASE	WANG	2014-07-10

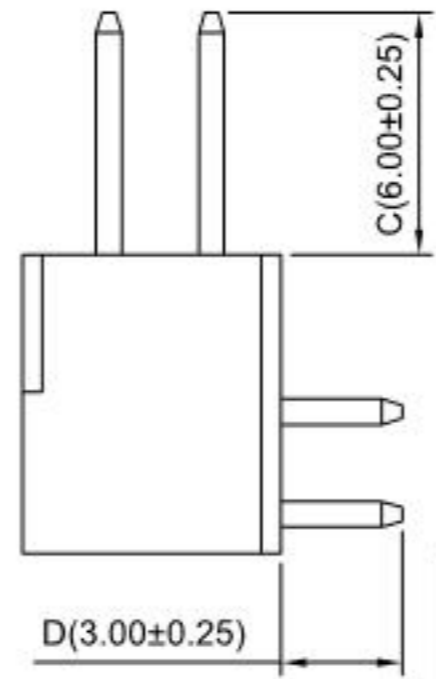
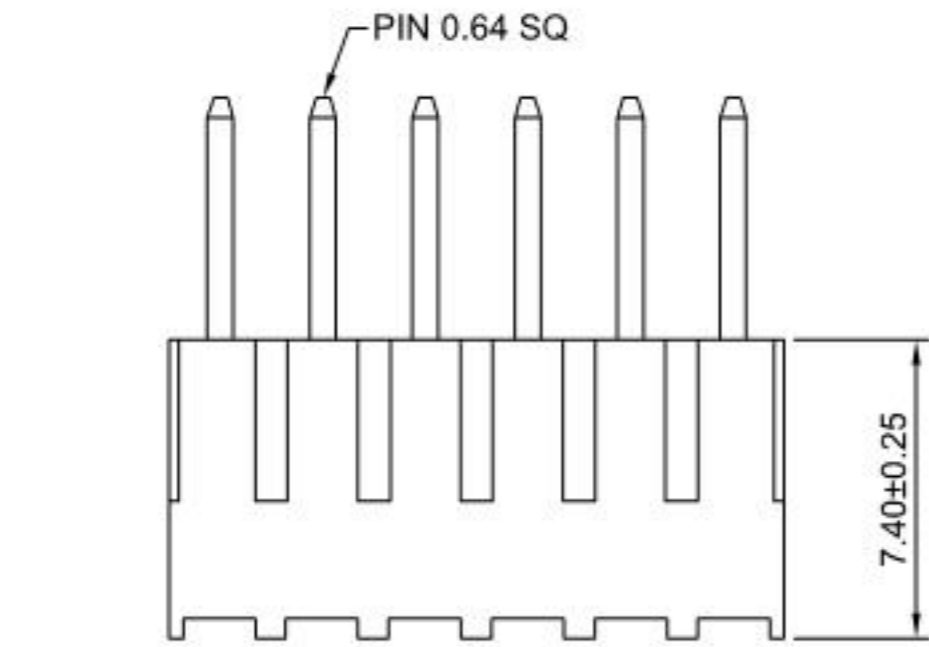
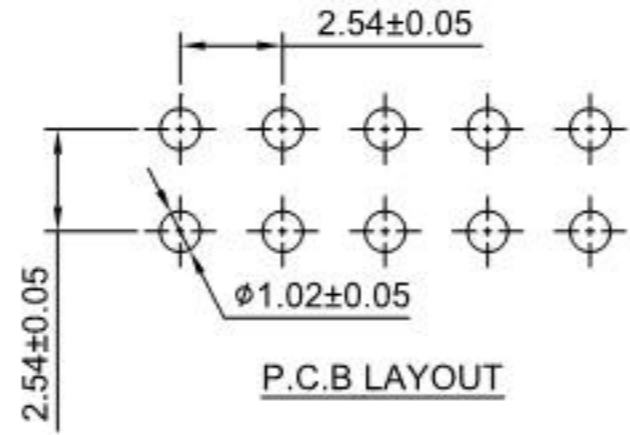
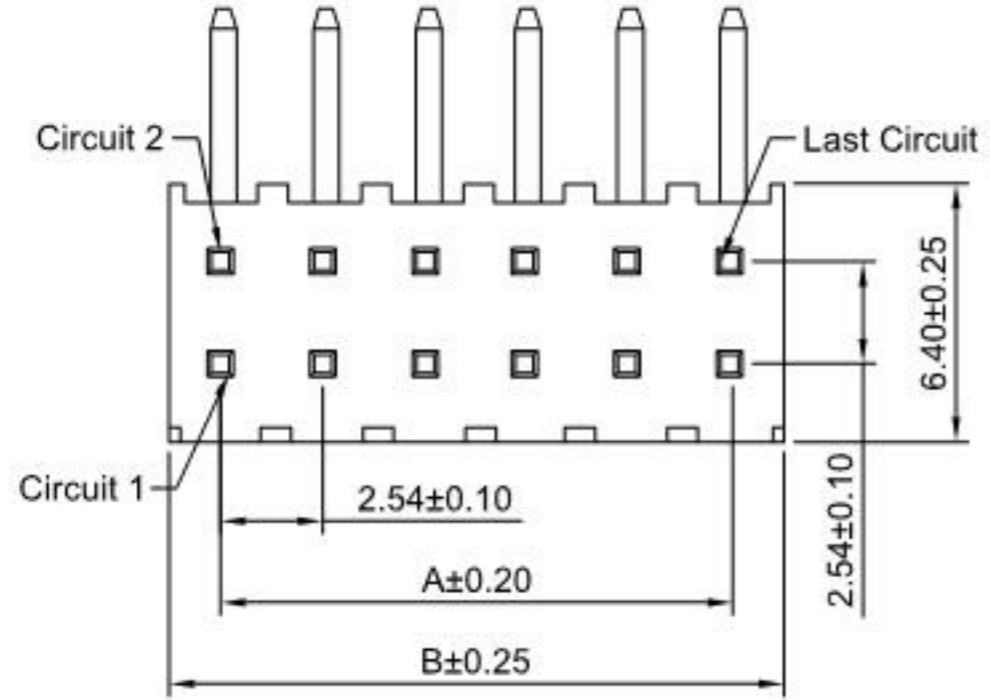
Ordering Information:  
 HDGC2541WR-2xXP-H74 -  $\frac{*}{2}$  -  $\frac{***}{3}$

- 1.Part No.
- 2.Finish:  
 (blank): Gold over Nickel  
 T: Tin over Nickel
- 3.Material:  
 (blank): PBT, UL94V-0  
 6T: Nylon 6T, UL94V-0  
 GWT: Nylon 6T, UL94V-0, GWT 750°C

**SPECIFICATIONS:**  
 Current Rating: 3A AC,DC  
 Voltage Rating: 250V AC,DC  
 Temperature Range: -25°C ~ +85°C  
 Contact Resistance: 20mΩ Max  
 Insulation Resistance: 1000MΩ Min  
 Withstanding Voltage: 1500V AC/minute  
 Pin Material: Brass/Gold over Nickel  
 Material: PBT, UL94V-0 (Black)

Ordering Information & Dimensions

Circuits	Dim(mm)		Circuits	Dim(mm)		Circuits	Dim(mm)	
	A	B		A	B		A	B
2x2P	2.54	5.08	2x15P	35.56	38.10	2x28P	68.58	71.12
2x3P	5.08	7.62	2x16P	38.10	40.64	2x29P	71.12	73.66
2x4P	7.62	10.16	2x17P	40.64	43.18	2x30P	73.66	76.20
2x5P	10.16	12.70	2x18P	43.18	45.72	2x31P	76.20	78.74
2x6P	12.70	15.24	2x19P	45.72	48.26	2x32P	78.74	81.28
2x7P	15.24	17.78	2x20P	48.26	50.80	2x33P	81.28	83.82
2x8P	17.78	20.32	2x21P	50.80	53.34	2x34P	83.82	86.36
2x9P	20.32	22.86	2x22P	53.34	55.88	2x35P	86.36	88.90
2x10P	22.86	25.40	2x23P	55.88	58.42	2x36P	88.90	91.44
2x11P	25.40	27.94	2x24P	58.42	60.96	2x37P	91.44	93.98
2x12P	27.94	30.48	2x25P	60.96	63.50	2x38P	93.98	96.52
2x13P	30.48	33.02	2x26P	63.50	66.04	2x39P	96.52	99.06
2x14P	33.02	35.56	2x27P	66.04	68.58	2x40P	99.06	101.60





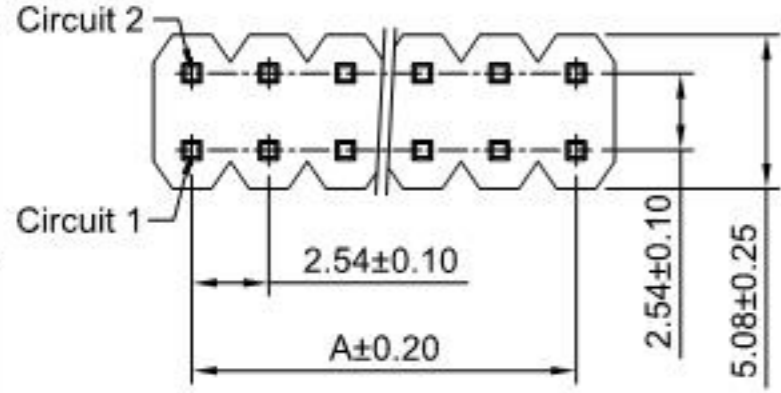
**深圳市华德共创科技有限公司**  
 Shenzhen Huade co-create Technology Co., LTD  
 TEL: 0755-27129737 FAX: 0755-29940187

TITLE: 2.54mm Pitch  
 产品名称: 90° Pin Header

PART NO: HDGC2541WR-2xXP-H74  
 产品编号:

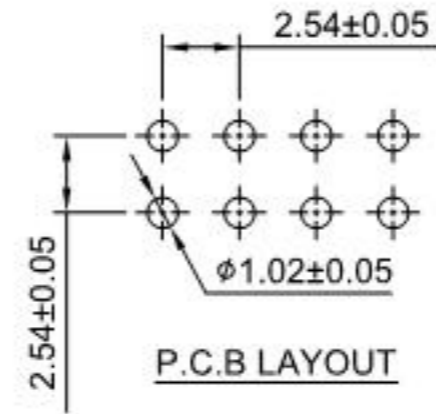
-TOLERANCES- UNLESS OTHERWISE SPECIFIED 公差参数表				 		DATE			
X.X	±0.30	X.X°	±3°	APPD: 核准:	XIE	DATE	SCALE	UNIT	CODE NUMBER
X.XX	±0.30	X.XX°	±2°	CHECK: 校对:	WANG	2014-07-10	4:1	mm	A008
X.XXX	±0.10	X.XXX°	±1°	DRAW: 绘图:	WANG				

修订 REV	标记 MARK	修改摘要 REVISION DESCRIPTION	签名 SIGNATURE	日期 DATE
A0		NEW RELEASE	WANG	2014-07-10



**Ordering Information:**

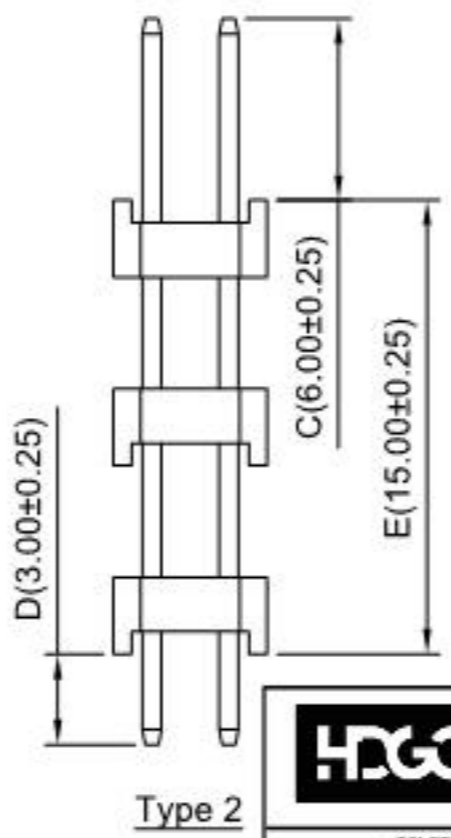
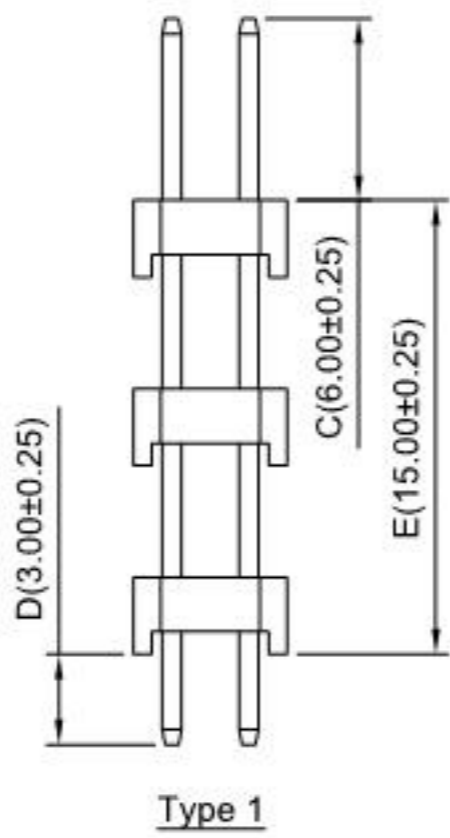
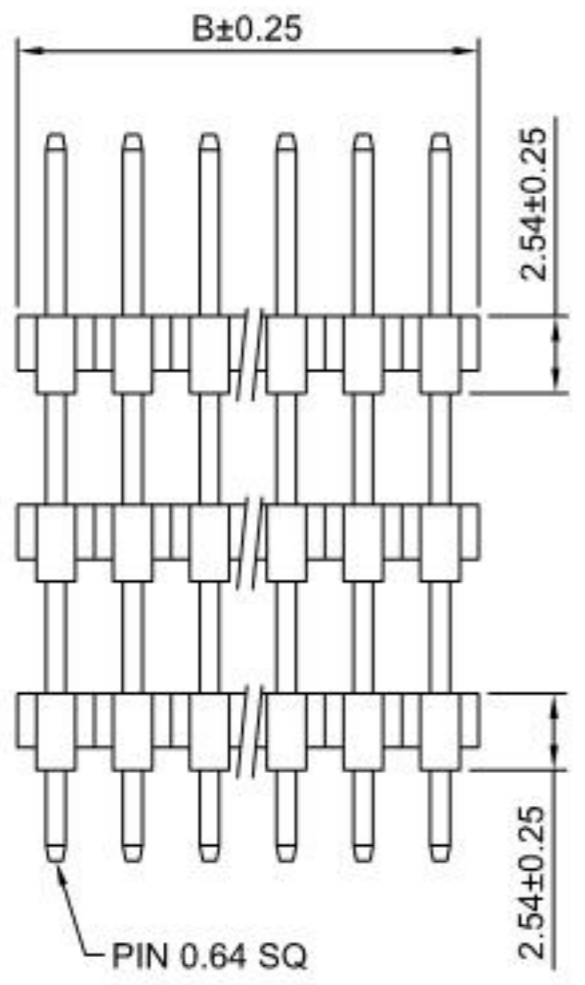
- HDGC2541WVA-2xXP-H - <sup>\*</sup>/<sub>2</sub> - <sup>\*</sup>/<sub>3</sub> - <sup>\*\*\*</sup>/<sub>4</sub>
- Part No.
  - Style:  
(blank): Type 1  
R: Type 2
  - Finish:  
(blank): Gold over Nickel  
T: Tin over Nickel
  - Material:  
(blank): PBT,UL94V-0  
6T: Nylon 6T,UL94V-0  
GWT: Nylon 6T,UL94V-0,GWT 750°C



**SPECIFICATIONS:**  
 Current Rating: 3A AC,DC  
 Voltage Rating: 250V AC,DC  
 Temperature Range: -25°C ~ +85°C  
 Contact Resistance: 20mΩ Max  
 Insulation Resistance: 1000MΩ Min  
 Withstanding Voltage: 1500V AC/minute  
 Pin Material: Brass/Gold over Nickel  
 Material: PBT,UL94V-0(Black)

**Ordering Information & Dimensions**

Circuits	Dim(mm)		Circuits	Dim(mm)		Circuits	Dim(mm)	
	A	B		A	B		A	B
2x2P	2.54	5.08	2x15P	35.56	38.10	2x28P	68.58	71.12
2x3P	5.08	7.62	2x16P	38.10	40.64	2x29P	71.12	73.66
2x4P	7.62	10.16	2x17P	40.64	43.18	2x30P	73.66	76.20
2x5P	10.16	12.70	2x18P	43.18	45.72	2x31P	76.20	78.74
2x6P	12.70	15.24	2x19P	45.72	48.26	2x32P	78.74	81.28
2x7P	15.24	17.78	2x20P	48.26	50.80	2x33P	81.28	83.82
2x8P	17.78	20.32	2x21P	50.80	53.34	2x34P	83.82	86.36
2x9P	20.32	22.86	2x22P	53.34	55.88	2x35P	86.36	88.90
2x10P	22.86	25.40	2x23P	55.88	58.42	2x36P	88.90	91.44
2x11P	25.40	27.94	2x24P	58.42	60.96	2x37P	91.44	93.98
2x12P	27.94	30.48	2x25P	60.96	63.50	2x38P	93.98	96.52
2x13P	30.48	33.02	2x26P	63.50	66.04	2x39P	96.52	99.06
2x14P	33.02	35.56	2x27P	66.04	68.58	2x40P	99.06	101.60



**深圳市华德共创科技有限公司**  
 Shenzhen Huade co-create Technology Co., LTD  
 TEL: 0755-27129737 FAX: 0755-29940187

-TOLERANCES- UNLESS OTHERWISE SPECIFIED 公差参数表				TITLE: 2.54mm Pitch 产品名称: 180° Pin Header	
X.X	±0.30	X.X°	±3°	APPD: 核准:	XIE
X.XX	±0.30	X.XX°	±2°	CHECK: 校对:	WANG
X.XXX	±0.10	X.XXX°	±1°	DRAW: 绘图:	WANG
PART NO: 产品编号:			DATE	SCALE	UNIT
HDGC2541WVA-2xXP-H			2014-07-10	3:1	mm
CODE NUMBER			A008		

修订 REV	标记 MARK	修改摘要 REVISION DESCRIPTION	签名 SIGNATURE	日期 DATE
A0		NEW RELEASE	WANG	2014-07-10

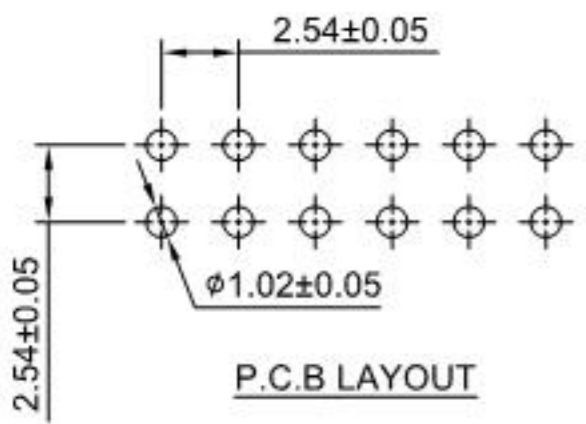
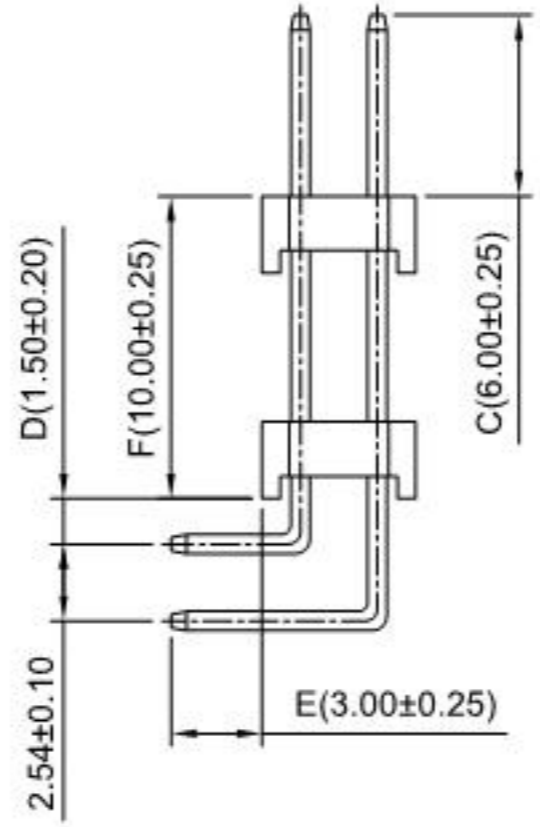
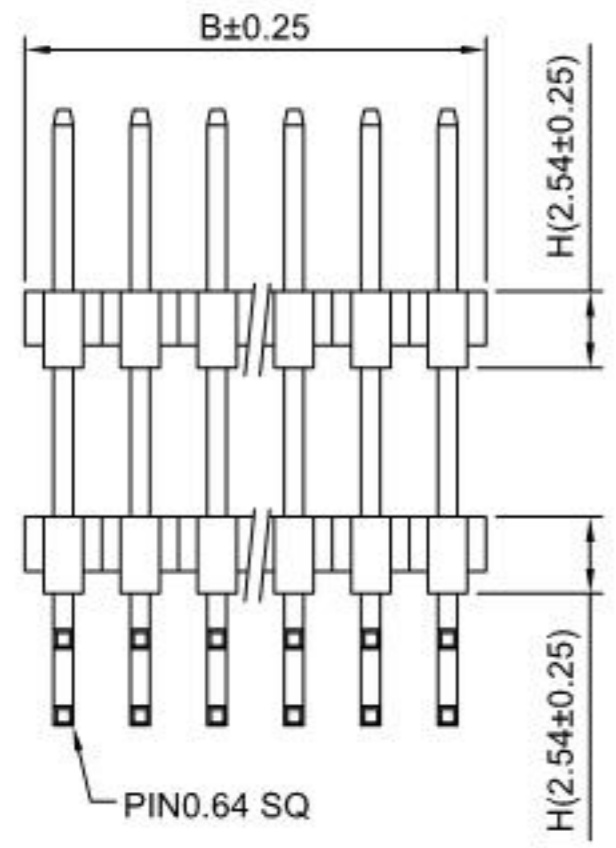
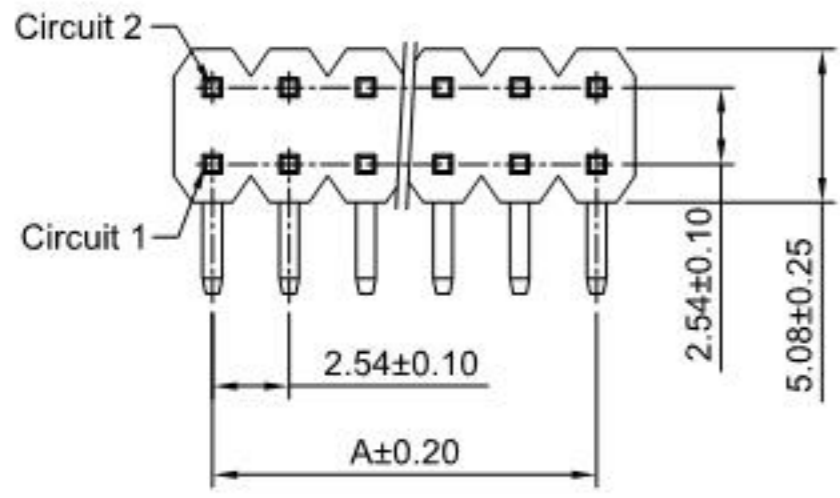
Ordering Information:  
 HDGC2541WRA-2xXP-D - <sup>\*\*\*</sup>/<sub>2</sub> - <sup>\*</sup>/<sub>3</sub> - <sup>\*\*\*</sup>/<sub>4</sub>

- Part No.
- Size(H):  
 (blank): 2.54mm  
 H15: 1.50mm  
 H17: 1.70mm  
 H20: 2.00mm  
 H30: 3.00mm
- Finish:  
 (blank): Gold over Nickel  
 T: Tin over Nickel
- Material:  
 (blank): PBT,UL94V-0  
 6T: Nylon 6T,UL94V-0  
 GWT: Nylon 6T,UL94V-0,GWT 750°C

**SPECIFICATIONS:**  
 Current Rating: 3A AC,DC  
 Voltage Rating: 250V AC,DC  
 Temperature Range: -25°C ~ +85°C  
 Contact Resistance: 20mΩ Max  
 Insulation Resistance: 1000MΩ Min  
 Withstanding Voltage: 1500V AC/minute  
 Pin Material: Brass/Gold over Nickel  
 Material: PBT,UL94V-0(Black)

Ordering Information & Dimensions

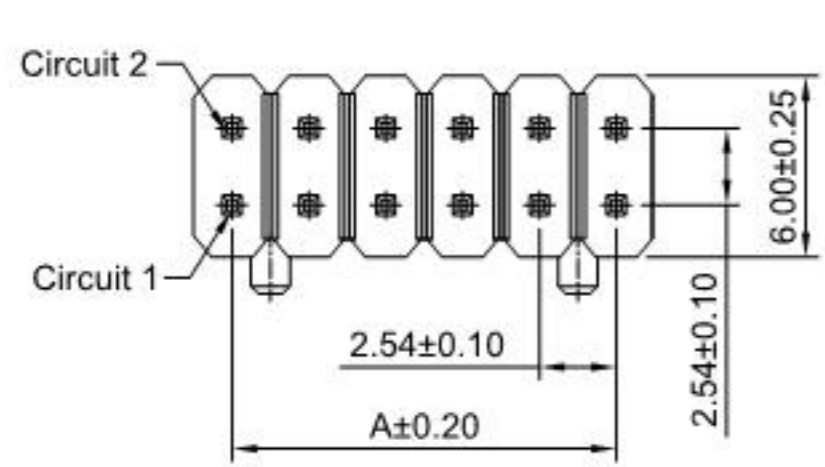
Circuits	Dim(mm)		Circuits	Dim(mm)		Circuits	Dim(mm)	
	A	B		A	B		A	B
2x1P	---	2.54	2x15P	35.56	38.10	2x29P	71.12	73.66
2x2P	2.54	5.08	2x16P	38.10	40.64	2x30P	73.66	76.20
2x3P	5.08	7.62	2x17P	40.64	43.18	2x31P	76.20	78.74
2x4P	7.62	10.16	2x18P	43.18	45.72	2x32P	78.74	81.28
2x5P	10.16	12.70	2x19P	45.72	48.26	2x33P	81.28	83.82
2x6P	12.70	15.24	2x20P	48.26	50.80	2x34P	83.82	86.36
2x7P	15.24	17.78	2x21P	50.80	53.34	2x35P	86.36	88.90
2x8P	17.78	20.32	2x22P	53.34	55.88	2x36P	88.90	91.44
2x9P	20.32	22.86	2x23P	55.88	58.42	2x37P	91.44	93.98
2x10P	22.86	25.40	2x24P	58.42	60.96	2x38P	93.98	96.52
2x11P	25.40	27.94	2x25P	60.96	63.50	2x39P	96.52	99.06
2x12P	27.94	30.48	2x26P	63.50	66.04	2x40P	99.06	101.60
2x13P	30.48	33.02	2x27P	66.04	68.58			
2x14P	33.02	35.56	2x28P	68.58	71.12			



**深圳市华德共创科技有限公司**  
 Shenzhen Huade co-create Technology Co., LTD  
 TEL: 0755-27129737 FAX: 0755-29940187

-TOLERANCES- UNLESS OTHERWISE SPECIFIED 公差参数表						TITLE: 2.54mm Pitch 产品名称: 90° Pin Header			
X.X	±0.30	X.X°	±3°	APPD: 核准:	XIE	PART NO: HDGC2541WRA-2xXP-D 产品编号:			
X.XX	±0.30	X.XX°	±2°	CHECK: 校对:	WANG	DATE	SCALE	UNIT	CODE NUMBER
X.XXX	±0.10	X.XXX°	±1°	DRAW: 绘图:	WANG	2014-07-10	3:1	mm	A008

修订 REV	标记 MARK	修改摘要 REVISION DESCRIPTION	签名 SIGNATURE	日期 DATE
A0		NEW RELEASE	WANG	2014-07-10



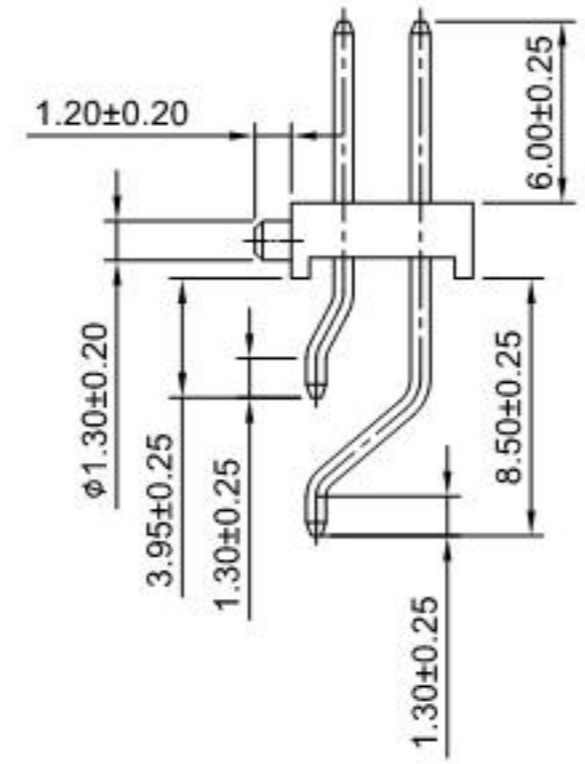
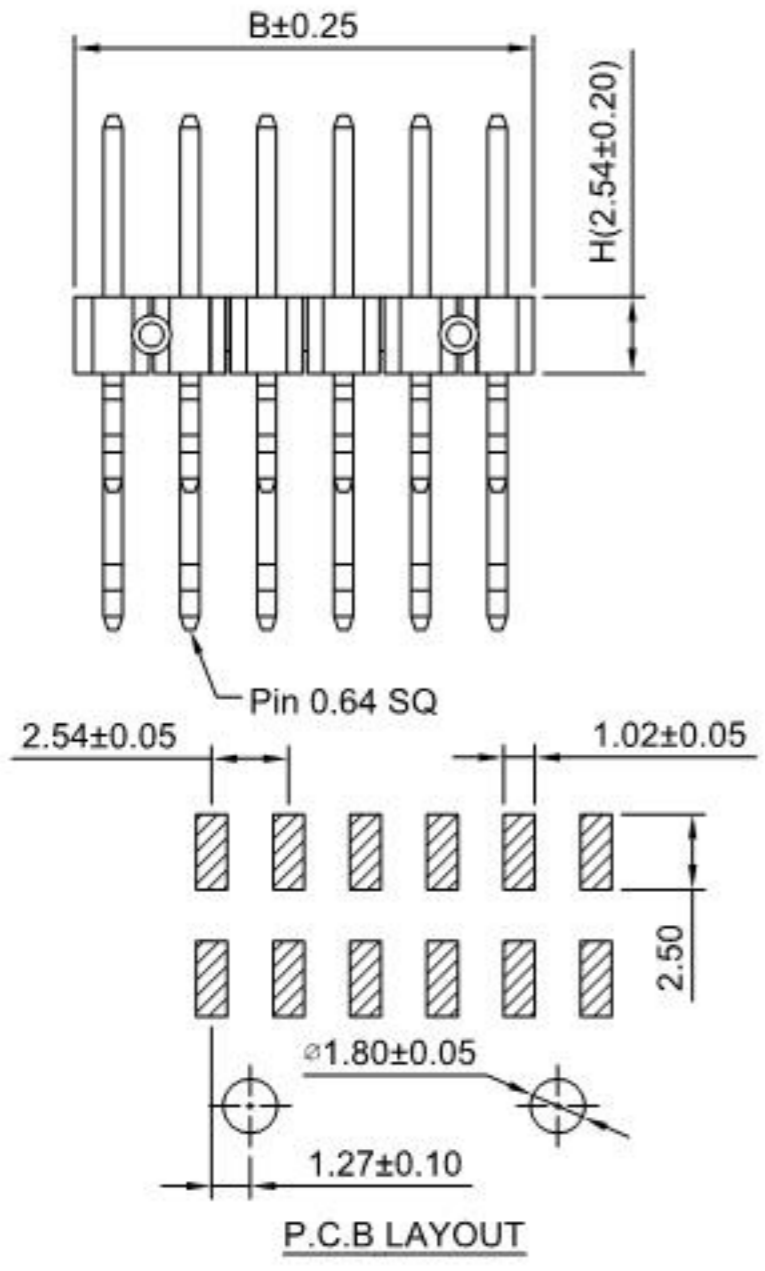
**Ordering Information:**  
 HDGC2541WR-S-F-2xXP - <sup>\*\*\*</sup>/<sub>2</sub> - <sup>\*</sup>/<sub>3</sub> - <sup>\*\*\*</sup>/<sub>4</sub>

1.Part No.  
 2.Size(H):  
 (blank): 2.54mm  
 H15: 1.50mm  
 H17: 1.70mm  
 H20: 2.00mm  
 H30: 3.00mm  
 3.Finish:  
 (blank): Gold over Nickel  
 T: Tin over Nickel  
 4.Material:  
 (blank): Nylon 6T,UL94V-0  
 GWT: Nylon 6T,UL94V-0,GWT 750°C

**SPECIFICATIONS:**  
 Current Rating: 3A AC,DC  
 Voltage Rating: 250V AC,DC  
 Temperature Range: -25°C ~ +85°C  
 Contact Resistance: 20mΩ Max  
 Insulation Resistance: 1000MΩ Min  
 Withstanding Voltage: 1500V AC/minute  
 Pin Material:Brass/Gold over Nickel  
 Material:Nylon 6T,UL94V-0(Black)

**Ordering Information & Dimensions**

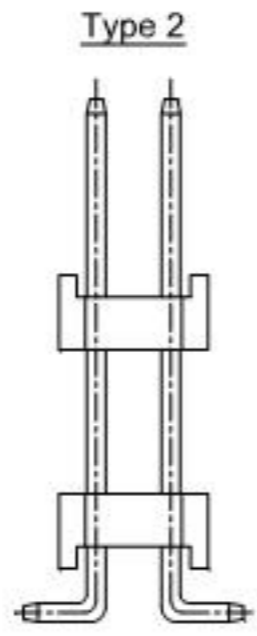
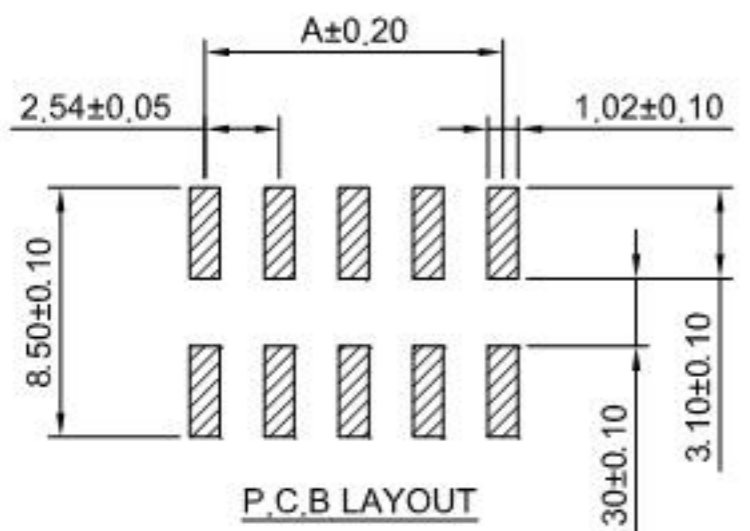
Circuits	Dim(mm)		Circuits	Dim(mm)		Circuits	Dim(mm)	
	A	B		A	B		A	B
2x2P	2.54	5.08	2x15P	35.56	38.10	2x28P	68.58	71.12
2x3P	5.08	7.62	2x16P	38.10	40.64	2x29P	71.12	73.66
2x4P	7.62	10.16	2x17P	40.64	43.18	2x30P	73.66	76.20
2x5P	10.16	12.70	2x18P	43.18	45.72	2x31P	76.20	78.74
2x6P	12.70	15.24	2x19P	45.72	48.26	2x32P	78.74	81.28
2x7P	15.24	17.78	2x20P	48.26	50.80	2x33P	81.28	83.82
2x8P	17.78	20.32	2x21P	50.80	53.34	2x34P	83.82	86.36
2x9P	20.32	22.86	2x22P	53.34	55.88	2x35P	86.36	88.90
2x10P	22.86	25.40	2x23P	55.88	58.42	2x36P	88.90	91.44
2x11P	25.40	27.94	2x24P	58.42	60.96	2x37P	91.44	93.98
2x12P	27.94	30.48	2x25P	60.96	63.50	2x38P	93.98	96.52
2x13P	30.48	33.02	2x26P	63.50	66.04	2x39P	96.52	99.06
2x14P	33.02	35.56	2x27P	66.04	68.58	2x40P	99.06	101.60



**深圳市华德共创科技有限公司**  
 Shenzhen Huade co-create Technology Co., LTD  
 TEL: 0755-27129737 FAX: 0755-29940187

-TOLERANCES- UNLESS OTHERWISE SPECIFIED 公差参数表			TITLE: 2.54mm Pitch 产品名称: 90° Pin Header	
X.X	±0.30	X.X°	±3°	APPD: 核准: XIE
X.XX	±0.30	X.XX°	±2°	CHECK: 校对: WANG
X.XXX	±0.10	X.XXX°	±1°	DRAW: 绘图: WANG
		DATE	SCALE	UNIT
		2014-07-10	3:1	mm
		PART NO: HDGC2541WR-S-F-2xXP 产品编号:		CODE NUMBER
				A008

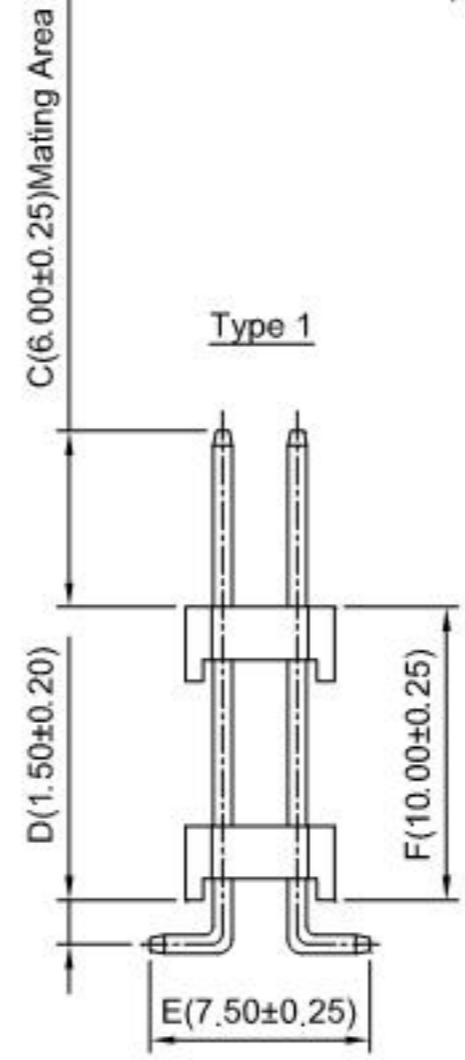
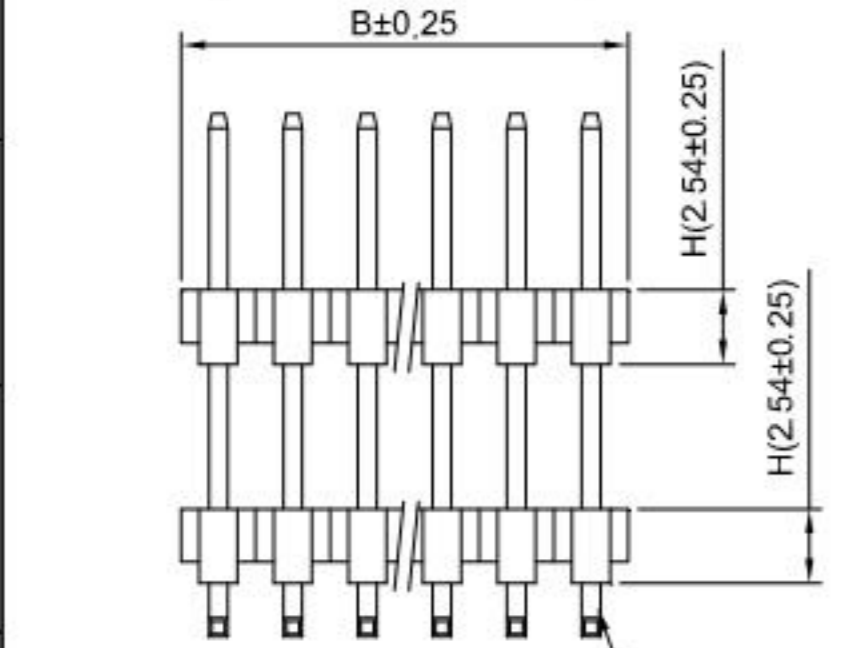
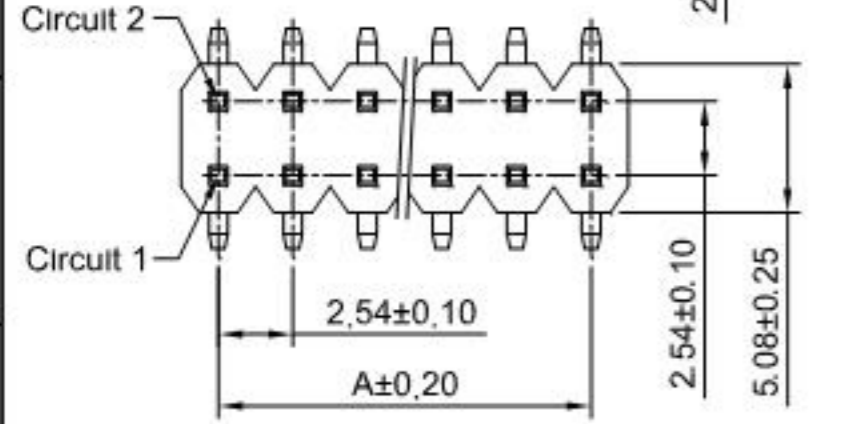
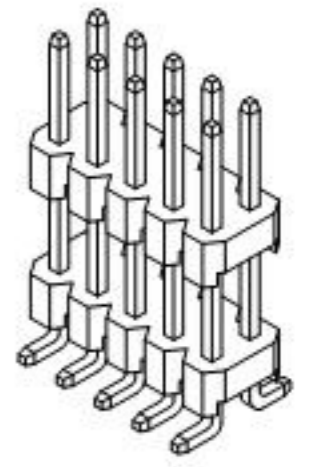
修订 REV	标记 MARK	修改摘要 REVISION DESCRIPTION	签名 SIGNATURE	日期 DATE
A0		NEW RELEASE	WANG	2019-05-10



**Ordering Information:**  
 HDGC2541WVA-S-2xXP -  $\frac{P}{2}$  -  $\frac{P}{3}$  -  $\frac{P}{4}$  -  $\frac{P}{5}$

- Part No.
- Style:  
(blank): Type 1  
R: Type 2
- Size(H):  
(blank): 2.54mm  
H15: 1.50mm  
H17: 1.70mm  
H20: 2.00mm  
H30: 3.00mm
- Material:  
(blank): Nylon 6T,UL94V-0  
GWT: Nylon 6T,UL94V-0,GWT 750°C
- Finish:  
(blank): Gold over Nickel  
T: Tin over Nickel  
GT: 1µin (0.025µm) MIN,Select Gold(Mating Area)  
100µin (2.54µm) MIN,Select Tin

**SPECIFICATIONS:**  
 Current Rating: 3A AC,DC  
 Voltage Rating: 250V AC,DC  
 Temperature Range: -25°C ~ +85°C  
 Contact Resistance: 20mΩ Max  
 Insulation Resistance: 1000MΩ Min  
 Withstanding Voltage: 1500V AC/minute  
 Pin Material: Brass/Gold over Nickel  
 Material: Nylon 6T,UL94V-0(Black)



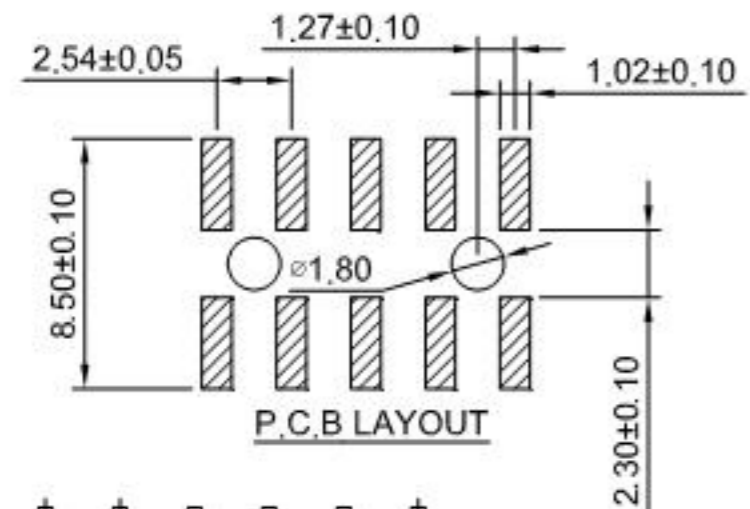
Ordering Information & Dimensions

Circuits	Dimensions (mm)		Circuits	Dimensions (mm)		Circuits	Dimensions (mm)	
	A	B		A	B		A	B
2x2P	2.54	5.08	2x15P	35.56	38.10	2x28P	68.58	71.12
2x3P	5.08	7.62	2x16P	38.10	40.64	2x29P	71.12	73.66
2x4P	7.62	10.16	2x17P	40.64	43.18	2x30P	73.66	76.20
2x5P	10.16	12.70	2x18P	43.18	45.72	2x31P	76.20	78.74
2x6P	12.70	15.24	2x19P	45.72	48.26	2x32P	78.74	81.28
2x7P	15.24	17.78	2x20P	48.26	50.80	2x33P	81.28	83.82
2x8P	17.78	20.32	2x21P	50.80	53.34	2x34P	83.82	86.36
2x9P	20.32	22.86	2x22P	53.34	55.88	2x35P	86.36	88.90
2x10P	22.86	25.40	2x23P	55.88	58.42	2x36P	88.90	91.44
2x11P	25.40	27.94	2x24P	58.42	60.96	2x37P	91.44	93.98
2x12P	27.94	30.48	2x25P	60.96	63.50	2x38P	93.98	96.52
2x13P	30.48	33.02	2x26P	63.50	66.04	2x39P	96.52	99.06
2x14P	33.02	35.56	2x27P	66.04	68.58	2x40P	99.06	101.60

**HDGC** 深圳市华德共创科技有限公司  
 Shenzhen Huade co-create Technology Co., LTD  
 TEL: 0755-27129737 FAX: 0755-29940187

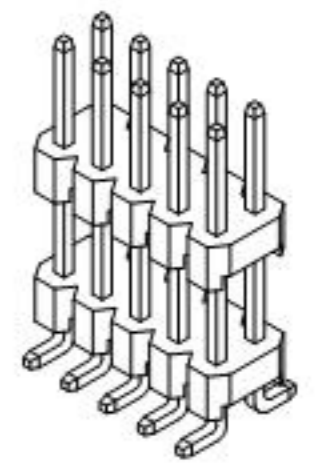
-TOLERANCES- UNLESS OTHERWISE SPECIFIED 公差参数表				TITLE: 2.54mm Pitch 产品名称: 180° Pin Header	
X.X	±0.30	X.X°	±3°	APPD: 核准:	XIE
X.XX	±0.30	X.XX°	±2°	CHECK: 校对:	WANG
X.XXX	±0.10	X.XXX°	±1°	DRAW: 绘图:	WANG
PART NO: 产品编号:		HDGC2541WVA-S-2xXP		DATE	2019-05-10
SCALE		3:1		UNIT	mm
CODE NUMBER		A008			

修订 REV	标记 MARK	修改摘要 REVISION DESCRIPTION	签名 SIGNATURE	日期 DATE
A0		NEW RELEASE	WANG	2019-05-10



Ordering Information:  
 HDGC2541WVA-S-F-2xXP  $\frac{-}{2} \frac{-}{3} \frac{-}{4} \frac{-}{5}$

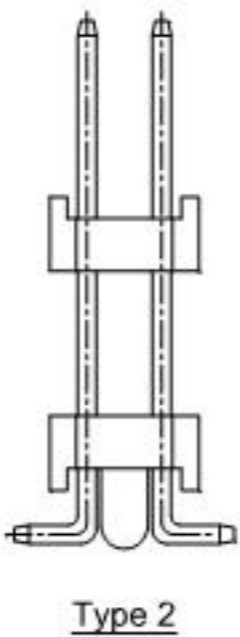
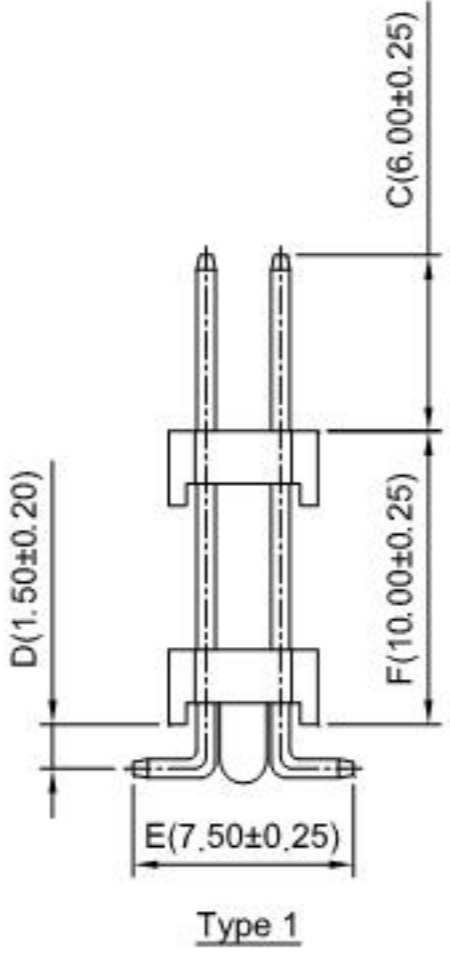
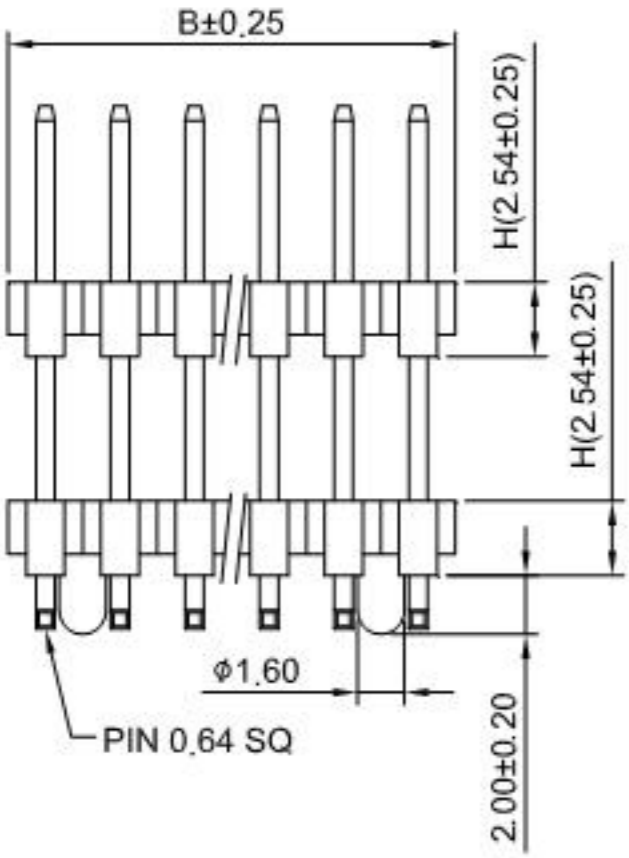
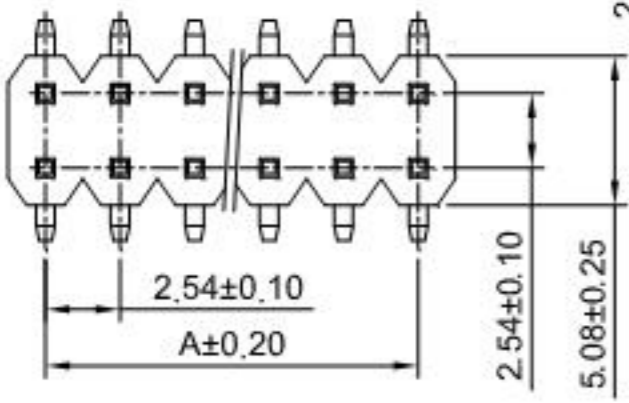
- Part No.
- Style:  
(blank): Type 1  
R: Type 2
- Size(H):  
(blank): 2.54mm  
H15: 1.50mm  
H17: 1.70mm  
H20: 2.00mm  
H30: 3.00mm
- Material:  
(blank): Nylon 6T,UL94V-0  
GWT: Nylon 6T,UL94V-0,GWT 750°C
- Finish:  
(blank): Gold over Nickel  
T: Tin over Nickel



**SPECIFICATIONS:**  
 Current Rating: 3A AC,DC  
 Voltage Rating: 250V AC,DC  
 Temperature Range: -25°C ~ +85°C  
 Contact Resistance: 20mΩ Max  
 Insulation Resistance: 1000MΩ Min  
 Withstanding Voltage: 1500V AC/minute  
 Pin Material: Brass/Gold over Nickel  
 Material: Nylon 6T,UL94V-0(Black)

Ordering Information & Dimensions

Circuits	Dim(mm)		Circuits	Dim(mm)		Circuits	Dim(mm)	
	A	B		A	B		A	B
2x2P	2.54	5.08	2x15P	35.56	38.10	2x28P	68.58	71.12
2x3P	5.08	7.62	2x16P	38.10	40.64	2x29P	71.12	73.66
2x4P	7.62	10.16	2x17P	40.64	43.18	2x30P	73.66	76.20
2x5P	10.16	12.70	2x18P	43.18	45.72	2x31P	76.20	78.74
2x6P	12.70	15.24	2x19P	45.72	48.26	2x32P	78.74	81.28
2x7P	15.24	17.78	2x20P	48.26	50.80	2x33P	81.28	83.82
2x8P	17.78	20.32	2x21P	50.80	53.34	2x34P	83.82	86.36
2x9P	20.32	22.86	2x22P	53.34	55.88	2x35P	86.36	88.90
2x10P	22.86	25.40	2x23P	55.88	58.42	2x36P	88.90	91.44
2x11P	25.40	27.94	2x24P	58.42	60.96	2x37P	91.44	93.98
2x12P	27.94	30.48	2x25P	60.96	63.50	2x38P	93.98	96.52
2x13P	30.48	33.02	2x26P	63.50	66.04	2x39P	96.52	99.06
2x14P	33.02	35.56	2x27P	66.04	68.58	2x40P	99.06	101.60



深圳市华德共创科技有限公司  
 Shenzhen Huade co-create Technology Co., LTD  
 TEL: 0755-27129737 FAX: 0755-29940187

-TOLERANCES- UNLESS OTHERWISE SPECIFIED 公差参数表				TITLE: 2.54mm Pitch 产品名称: 180° Pin Header	
X.X	±0.30	X.X°	±3°	APPD: 核准:	XIE
X.XX	±0.30	X.XX°	±2°	CHECK: 校对:	WANG
X.XXX	±0.10	X.XXX°	±1°	DRAW: 绘图:	WANG
PART NO: 产品编号:		DATE		SCALE	UNIT
HDGC2541WVA-S-F-2xXP		2019-05-10		3:1	mm
CODE NUMBER				A008	

修订 REV	标记 MARK	修改摘要 REVISION DESCRIPTION	签名 SIGNATURE	日期 DATE
A0		NEW RELEASE	WANG	2014-07-10

**Ordering Information:**

HDGC2541WV-2xXP-H43 -  $\frac{*}{2} - \frac{***}{3}$

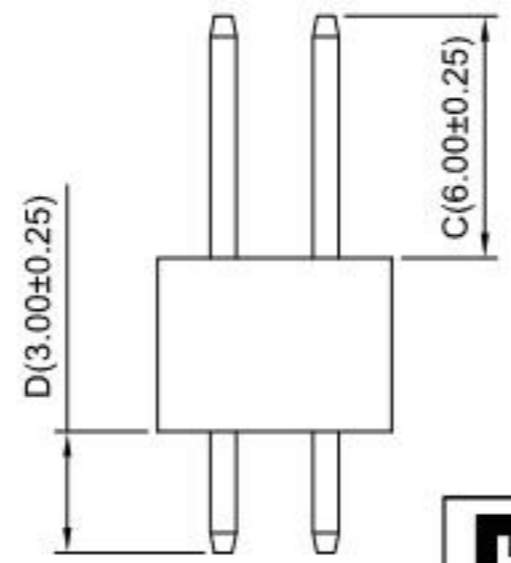
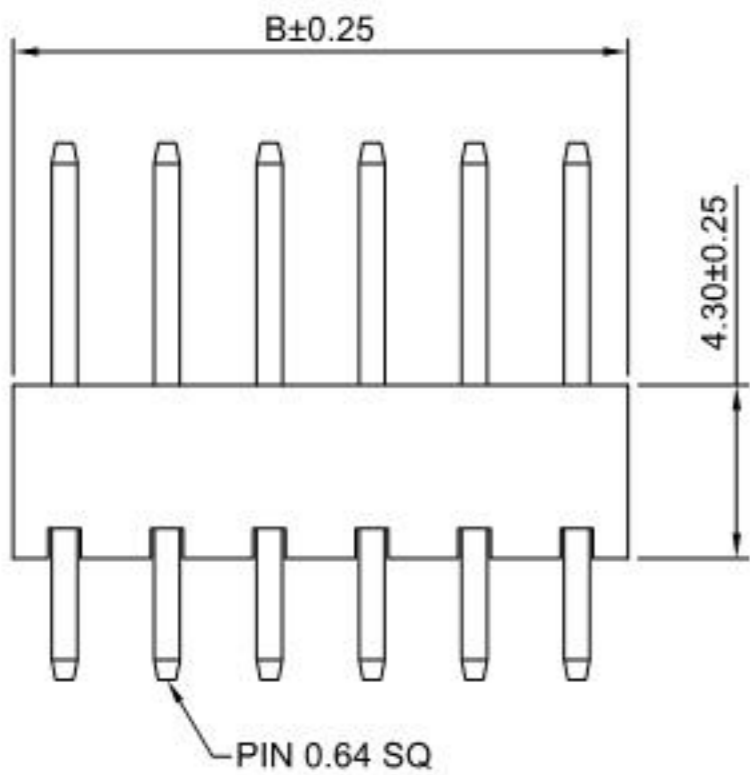
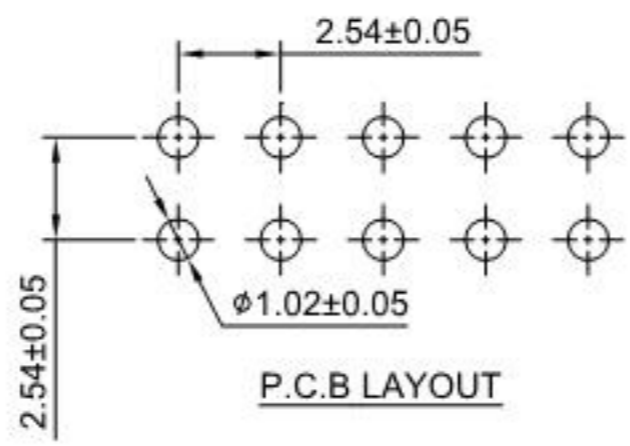
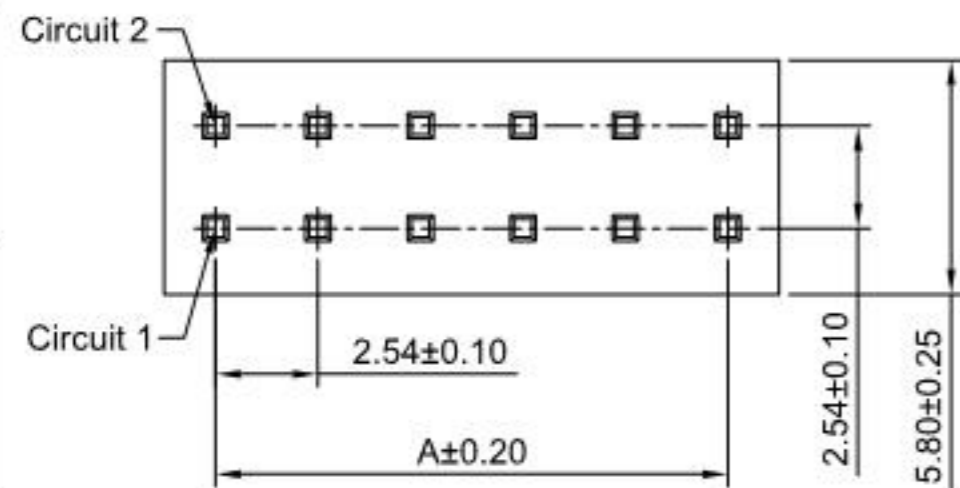
- Part No.
- Finish:  
(blank): Gold over Nickel  
T: Tin over Nickel
- Material:  
(blank): PBT,UL94V-0  
6T: Nylon 6T,UL94V-0  
GWT: Nylon 6T,UL94V-0,GWT 750°C

**SPECIFICATIONS:**

Current Rating: 3A AC,DC  
Voltage Rating: 250V AC,DC  
Temperature Range: -25°C ~ +85°C  
Contact Resistance: 20mΩ Max  
Insulation Resistance: 1000MΩ Min  
Withstanding Voltage: 1500V AC/minute  
Pin Material: Brass/Gold over Nickel  
Material: PBT,UL94V-0 (Black)

**Ordering Information & Dimensions**

Circuits	Dim(mm)		Circuits	Dim(mm)		Circuits	Dim(mm)	
	A	B		A	B		A	B
2x2P	2.54	5.08	2x15P	35.56	38.10	2x28P	68.58	71.12
2x3P	5.08	7.62	2x16P	38.10	40.64	2x29P	71.12	73.66
2x4P	7.62	10.16	2x17P	40.64	43.18	2x30P	73.66	76.20
2x5P	10.16	12.70	2x18P	43.18	45.72	2x31P	76.20	78.74
2x6P	12.70	15.24	2x19P	45.72	48.26	2x32P	78.74	81.28
2x7P	15.24	17.78	2x20P	48.26	50.80	2x33P	81.28	83.82
2x8P	17.78	20.32	2x21P	50.80	53.34	2x34P	83.82	86.36
2x9P	20.32	22.86	2x22P	53.34	55.88	2x35P	86.36	88.90
2x10P	22.86	25.40	2x23P	55.88	58.42	2x36P	88.90	91.44
2x11P	25.40	27.94	2x24P	58.42	60.96	2x37P	91.44	93.98
2x12P	27.94	30.48	2x25P	60.96	63.50	2x38P	93.98	96.52
2x13P	30.48	33.02	2x26P	63.50	66.04	2x39P	96.52	99.06
2x14P	33.02	35.56	2x27P	66.04	68.58	2x40P	99.06	101.60



**HDGC** 深圳市华德共创科技有限公司  
Shenzhen Huade co-create Technology Co., LTD  
TEL: 0755-27129737 FAX: 0755-29940187

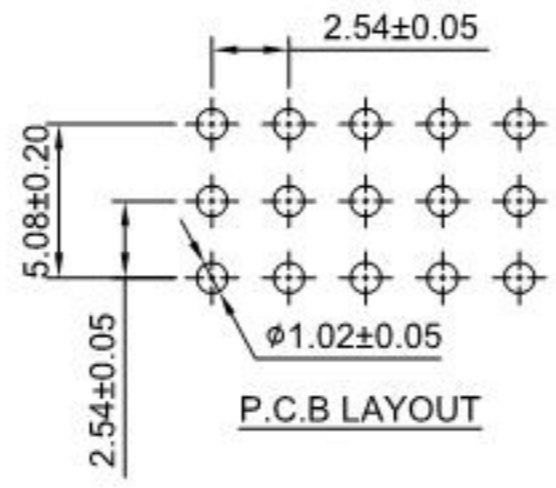
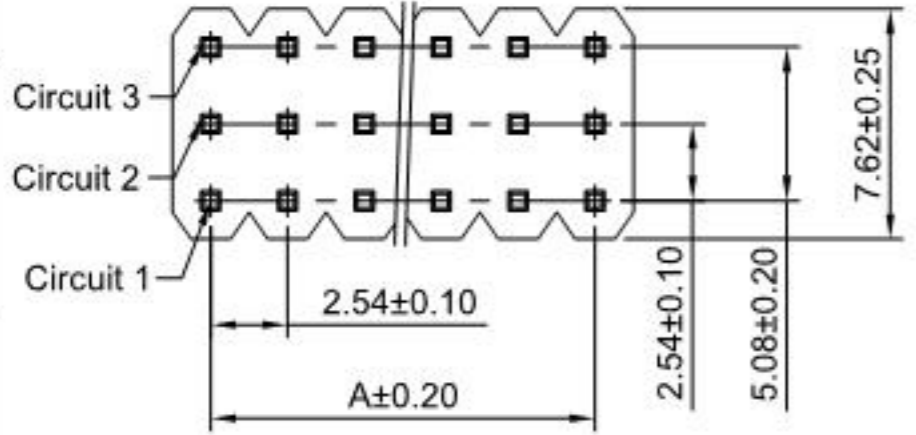
-TOLERANCES- UNLESS OTHERWISE SPECIFIED 公差参数表				TITLE: 2.54mm Pitch 产品名称: 180° Pin Header	
X.X	±0.30	X.X°	±3°	APPD: 核准:	XIE
X.XX	±0.30	X.XX°	±2°	CHECK: 校对:	WANG
X.XXX	±0.10	X.XXX°	±1°	DRAW: 绘图:	WANG
PART NO: 产品编号:		HDGC2541WV-2xXP-H43		DATE	SCALE
DATE		2014-07-10	SCALE	4:1	UNIT
CODE NUMBER		A008		mm	

修订 REV	标记 MARK	修改摘要 REVISION DESCRIPTION	签名 SIGNATURE	日期 DATE
A0		NEW RELEASE	WANG	2014-07-10

Ordering Information:  
 HDGC2541WV-3xXP - \* - \*\*\*  
 1 2 3

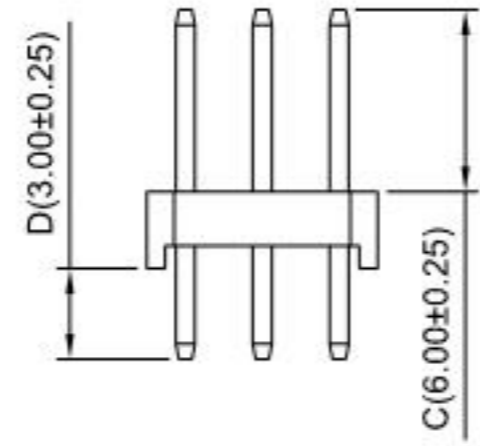
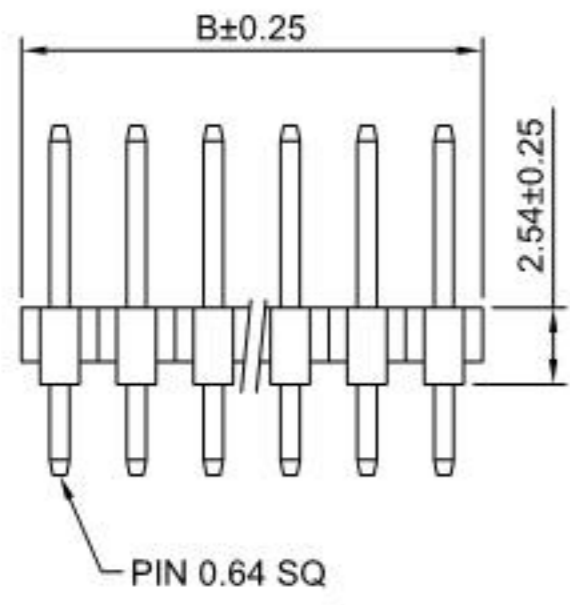
- 1.Part No.
- 2.Finish:  
 (blank): Gold over Nickel  
 T: Tin over Nickel
- 3.Material:  
 (blank): PBT,UL94V-0  
 6T: Nylon 6T,UL94V-0  
 GWT: Nylon 6T,UL94V-0,GWT 750°C

**SPECIFICATIONS:**  
 Current Rating: 3A AC,DC  
 Voltage Rating: 250V AC,DC  
 Temperature Range: -25°C ~ +85°C  
 Contact Resistance: 20mΩ Max  
 Insulation Resistance: 1000MΩ Min  
 Withstanding Voltage: 1500V AC/minute  
 Pin Material: Brass/Gold over Nickel  
 Material: PBT,UL94V-0(Black)



Ordering Information & Dimensions

Circuits	Dim(mm)		Circuits	Dim(mm)		Circuits	Dim(mm)	
	A	B		A	B		A	B
3x2P	2.54	5.08	3x15P	35.56	38.10	3x28P	68.58	71.12
3x3P	5.08	7.62	3x16P	38.10	40.64	3x29P	71.12	73.66
3x4P	7.62	10.16	3x17P	40.64	43.18	3x30P	73.66	76.20
3x5P	10.16	12.70	3x18P	43.18	45.72	3x31P	76.20	78.74
3x6P	12.70	15.24	3x19P	45.72	48.26	3x32P	78.74	81.28
3x7P	15.24	17.78	3x20P	48.26	50.80	3x33P	81.28	83.82
3x8P	17.78	20.32	3x21P	50.80	53.34	3x34P	83.82	86.36
3x9P	20.32	22.86	3x22P	53.34	55.88	3x35P	86.36	88.90
3x10P	22.86	25.40	3x23P	55.88	58.42	3x36P	88.90	91.44
3x11P	25.40	27.94	3x24P	58.42	60.96	3x37P	91.44	93.98
3x12P	27.94	30.48	3x25P	60.96	63.50	3x38P	93.98	96.52
3x13P	30.48	33.02	3x26P	63.50	66.04	3x39P	96.52	99.06
3x14P	33.02	35.56	3x27P	66.04	68.58	3x40P	99.06	101.60



**HDGC** 深圳市华德共创科技有限公司  
 Shenzhen Huade co-create Technology Co., LTD  
 TEL: 0755-27129737 FAX: 0755-29940187

-TOLERANCES- UNLESS OTHERWISE SPECIFIED 公差参数表				TITLE: 2.54mm Pitch 产品名称: 180° Pin Header	
X.X	±0.30	X.X°	±3°	APPD: 核准:	XIE
X.XX	±0.30	X.XX°	±2°	CHECK: 校对:	WANG
X.XXX	±0.10	X.XXX°	±1°	DRAW: 绘图:	WANG
PART NO: 产品编号:		DATE		SCALE	UNIT
HDGC2541WV-3xXP		2014-07-10		3:1	mm
				CODE NUMBER	A008

修订 REV	标记 MARK	修改摘要 REVISION DESCRIPTION	签名 SIGNATURE	日期 DATE
A0		NEW RELEASE	WANG	2014-07-10

Ordering Information:  
 HDGC2541WR-3xXP - <sup>\*</sup>/<sub>2</sub> - <sup>\*\*\*</sup>/<sub>3</sub>

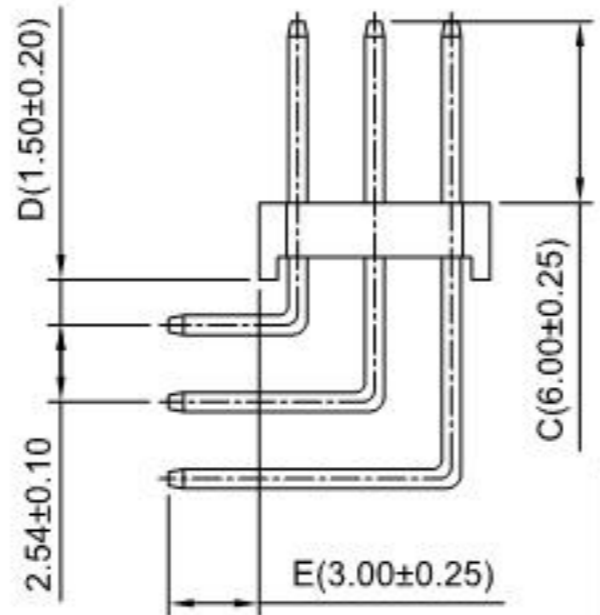
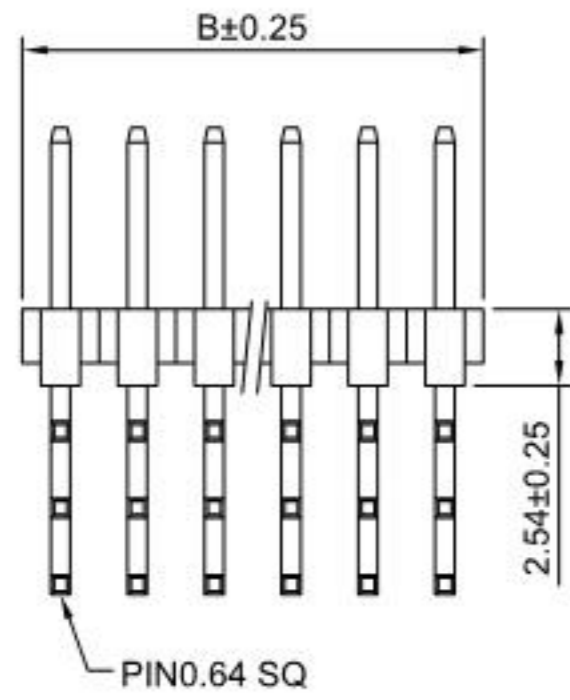
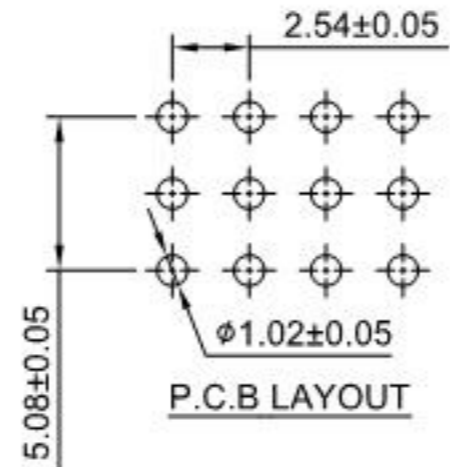
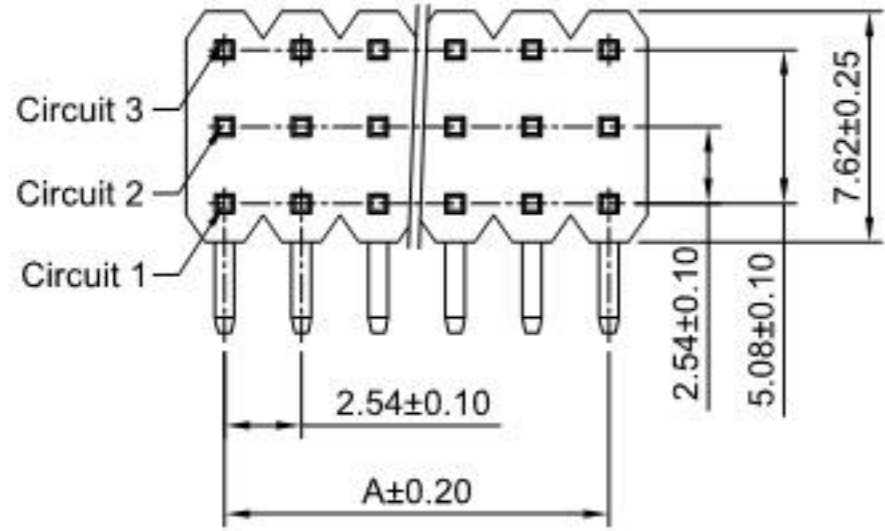
- 1.Part No.
- 2.Finish:  
 (blank): Gold over Nickel  
 T: Tin over Nickel
- 3.Material:  
 (blank): PBT,UL94V-0  
 6T:Nylon 6T,UL94V-0  
 GWT: Nylon 6T,UL94V-0,GWT 750°C

**SPECIFICATIONS:**

Current Rating: 3A AC,DC  
 Voltage Rating: 250V AC,DC  
 Temperature Range: -25°C ~ +85°C  
 Contact Resistance: 20mΩ Max  
 Insulation Resistance: 1000MΩ Min  
 Withstanding Voltage: 1500V AC/minute  
 Pin Material: Brass/Gold over Nickel  
 Material: PBT,UL94V-0(Black)

Ordering Information & Dimensions

Circuits	Dim(mm)		Circuits	Dim(mm)		Circuits	Dim(mm)	
	A	B		A	B		A	B
3x2P	2.54	5.08	3x15P	35.56	38.10	3x28P	68.58	71.12
3x3P	5.08	7.62	3x16P	38.10	40.64	3x29P	71.12	73.66
3x4P	7.62	10.16	3x17P	40.64	43.18	3x30P	73.66	76.20
3x5P	10.16	12.70	3x18P	43.18	45.72	3x31P	76.20	78.74
3x6P	12.70	15.24	3x19P	45.72	48.26	3x32P	78.74	81.28
3x7P	15.24	17.78	3x20P	48.26	50.80	3x33P	81.28	83.82
3x8P	17.78	20.32	3x21P	50.80	53.34	3x34P	83.82	86.36
3x9P	20.32	22.86	3x22P	53.34	55.88	3x35P	86.36	88.90
3x10P	22.86	25.40	3x23P	55.88	58.42	3x36P	88.90	91.44
3x11P	25.40	27.94	3x24P	58.42	60.96	3x37P	91.44	93.98
3x12P	27.94	30.48	3x25P	60.96	63.50	3x38P	93.98	96.52
3x13P	30.48	33.02	3x26P	63.50	66.04	3x39P	96.52	99.06
3x14P	33.02	35.56	3x27P	66.04	68.58	3x40P	99.06	101.60



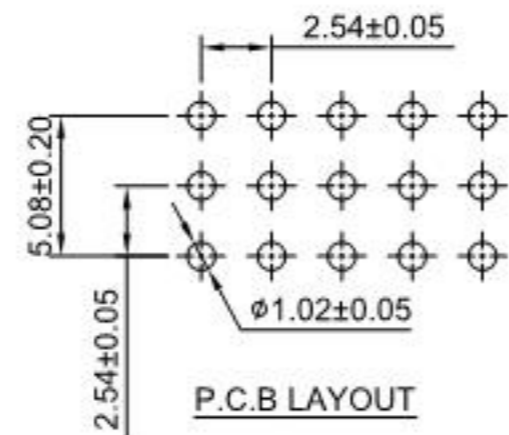
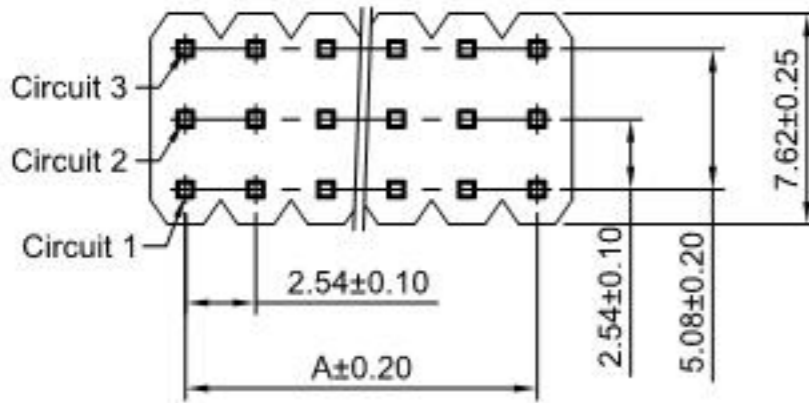
**HDGC** 深圳市华德共创科技有限公司  
 Shenzhen Huade co-create Technology Co., LTD  
 TEL: 0755-27129737 FAX: 0755-29940187

-TOLERANCES- UNLESS OTHERWISE SPECIFIED 公差参数表				TITLE: 2.54mm Pitch 产品名称: 90° Pin Header	
X.X	±0.30	X.X°	±3°	APPD: 核准:	XIE
X.XX	±0.30	X.XX°	±2°	CHECK: 校对:	WANG
X.XXX	±0.10	X.XXX°	±1°	DRAW: 绘图:	WANG
PART NO: 产品编号:		HDGC2541WR-3xXP		DATE	2014-07-10
SCALE		3:1		UNIT	mm
CODE NUMBER		A008			

修订 REV	标记 MARK	修改摘要 REVISION DESCRIPTION	签名 SIGNATURE	日期 DATE
A0		NEW RELEASE	WANG	2014-07-10

Ordering Information:  
 HDGC2541WVA-3xXP -  $\frac{A}{2}$  -  $\frac{A}{3}$  -  $\frac{A}{4}$

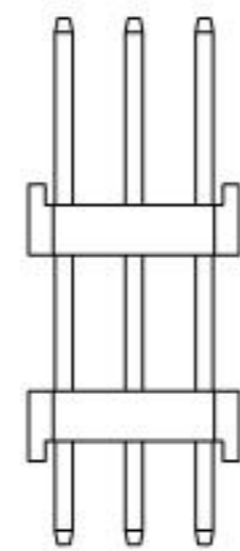
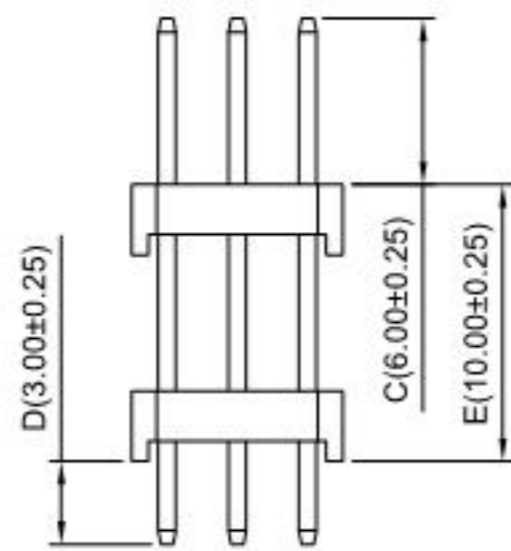
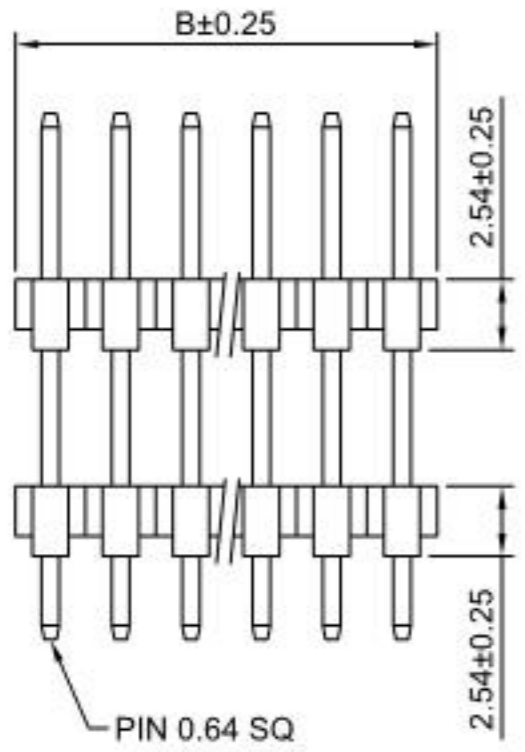
- 1.Part No.
- 2.Style:  
 (blank): Type 1  
 R: Type 2
- 3.Finish:  
 (blank): Gold over Nickel  
 T: Tin over Nickel
- 4.Material:  
 (blank): PBT,UL94V-0  
 6T: Nylon 6T,UL94V-0  
 GWT: Nylon 6T,UL94V-0,GWT 750°C



**SPECIFICATIONS:**  
 Current Rating: 3A AC,DC  
 Voltage Rating: 250V AC,DC  
 Temperature Range: -25°C ~ +85°C  
 Contact Resistance: 20mΩ Max  
 Insulation Resistance: 1000MΩ Min  
 Withstanding Voltage: 1500V AC/minute  
 Pin Material: Brass/Gold over Nickel  
 Material: PBT,UL94V-0(Black)

Ordering Information & Dimensions

Circuits	Dim(mm)		Circuits	Dim(mm)		Circuits	Dim(mm)	
	A	B		A	B		A	B
3x2P	2.54	5.08	3x15P	35.56	38.10	3x28P	68.58	71.12
3x3P	5.08	7.62	3x16P	38.10	40.64	3x29P	71.12	73.66
3x4P	7.62	10.16	3x17P	40.64	43.18	3x30P	73.66	76.20
3x5P	10.16	12.70	3x18P	43.18	45.72	3x31P	76.20	78.74
3x6P	12.70	15.24	3x19P	45.72	48.26	3x32P	78.74	81.28
3x7P	15.24	17.78	3x20P	48.26	50.80	3x33P	81.28	83.82
3x8P	17.78	20.32	3x21P	50.80	53.34	3x34P	83.82	86.36
3x9P	20.32	22.86	3x22P	53.34	55.88	3x35P	86.36	88.90
3x10P	22.86	25.40	3x23P	55.88	58.42	3x36P	88.90	91.44
3x11P	25.40	27.94	3x24P	58.42	60.96	3x37P	91.44	93.98
3x12P	27.94	30.48	3x25P	60.96	63.50	3x38P	93.98	96.52
3x13P	30.48	33.02	3x26P	63.50	66.04	3x39P	96.52	99.06
3x14P	33.02	35.56	3x27P	66.04	68.58	3x40P	99.06	101.60



Type 1

Type 2

**深圳市华德共创科技有限公司**  
 Shenzhen Huade co-create Technology Co., LTD  
 TEL: 0755-27129737 FAX: 0755-29940187

-TOLERANCES- UNLESS OTHERWISE SPECIFIED 公差参数表			TITLE: 2.54mm Pitch 产品名称: 180° Pin Header						
X.X	±0.30	X.X°	±3°	APPD: 核准:	XIE	PART NO: 产品编号:	HDGC2541WVA-3xXP		
X.XX	±0.30	X.XX°	±2°	CHECK: 校对:	WANG	DATE	SCALE	UNIT	CODE NUMBER
X.XXX	±0.10	X.XXX°	±1°	DRAW: 绘图:	WANG	2014-07-10	3:1	mm	A008

修订 REV	标记 MARK	修改摘要 REVISION DESCRIPTION	签名 SIGNATURE	日期 DATE
A0		NEW RELEASE	WANG	2014-07-10

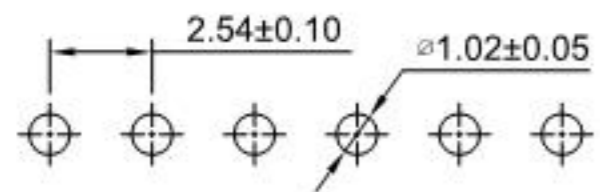
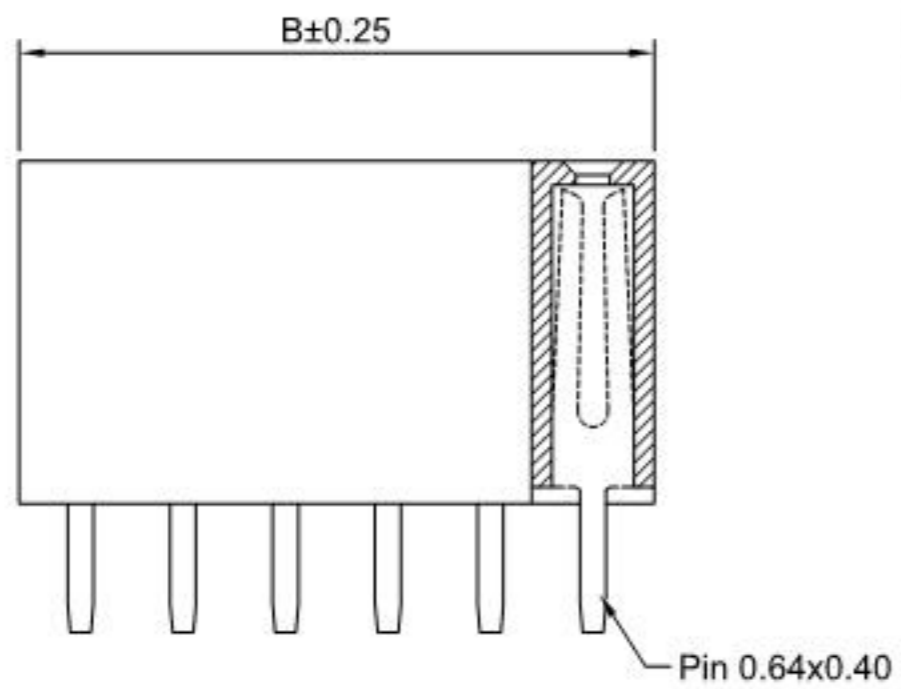
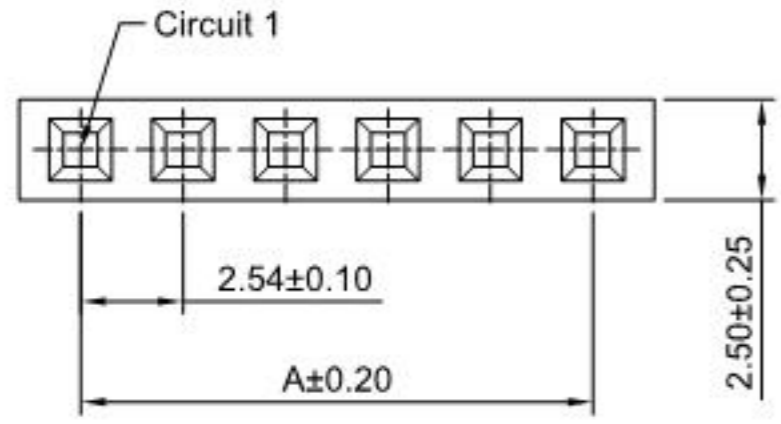
Ordering Information:  
 HDGC2541HWV-XP -  $\frac{****}{1} - \frac{***}{2} - \frac{*}{3} - \frac{***}{4} - \frac{***}{5}$

- Part No.
- Size(H):  
 (blank): 8.50mm  
 H71: 7.10mm  
 H57: 5.70mm  
 H50: 5.00mm  
 H35: 3.50mm(B:B-0.50mm)  
 H110: 11.00mm
- Size(D):  
 (blank): 3.20mm(H85,H71,H57,H50,H110)  
 D26: 2.60mm(H35)  
 D21: 2.10mm(H50)
- Finish:  
 (blank): Gold over Nickel  
 T: Tin over Nickel
- Material:  
 (blank): PBT,UL94V-0  
 6T: Nylon 6T,UL94V-0  
 GWT: Nylon 6T,UL94V-0,GWT 750°C

**SPECIFICATIONS:**  
 Current Rating: 3A AC,DC  
 Voltage Rating: 250V AC,DC  
 Temperature Range: -25°C ~ +85°C  
 Contact Resistance: 20mΩ Max  
 Insulation Resistance: 1000MΩ Min  
 Withstanding Voltage: 1500V AC/minute  
 Pin Material: Brass/Gold over Nickel  
 Material: PBT,UL94V-0(Black)

Ordering Information & Dimensions

Circuits	Dim(mm)		Circuits	Dim(mm)		Circuits	Dim(mm)	
	A	B		A	B		A	B
2P	2.54	5.58	15P	35.56	38.60	28P	68.58	71.62
3P	5.08	8.12	16P	38.10	41.14	29P	71.12	74.16
4P	7.62	10.66	17P	40.64	43.68	30P	73.66	76.70
5P	10.16	13.20	18P	43.18	46.22	31P	76.20	79.24
6P	12.70	15.74	19P	45.72	48.76	32P	78.74	81.78
7P	15.24	18.28	20P	48.26	51.30	33P	81.28	84.32
8P	17.78	20.82	21P	50.80	53.84	34P	83.82	86.86
9P	20.32	23.36	22P	53.34	56.38	35P	86.36	89.40
10P	22.86	25.90	23P	55.88	58.92	36P	88.90	91.94
11P	25.40	28.44	24P	58.42	61.46	37P	91.44	94.48
12P	27.94	30.98	25P	60.96	64.00	38P	93.98	97.02
13P	30.48	33.52	26P	63.50	66.54	39P	96.52	99.56
14P	33.02	36.06	27P	66.04	69.08	40P	99.06	102.10



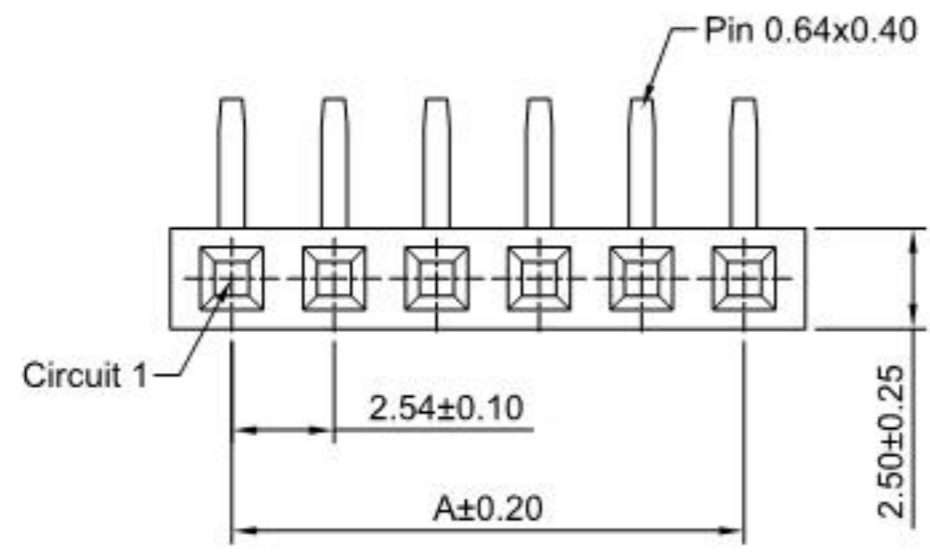
**深圳市华德共创科技有限公司**

Shenzhen Huade co-create Technology Co., LTD

TEL: 0755-27129737 FAX: 0755-29940187

-TOLERANCES- UNLESS OTHERWISE SPECIFIED 公差参数表						TITLE: 2.54mm Pitch 产品名称: 180° Box Header			
X.X	±0.30	X.X°	±3°	APPD: 核准:	XIE	PART NO: 产品编号: HDGC2541HWV-XP			
X.XX	±0.30	X.XX°	±2°	CHECK: 校对:	WANG	DATE	SCALE	UNIT	CODE NUMBER
X.XXX	±0.10	X.XXX°	±1°	DRAW: 绘图:	WANG	2014-07-10	4:1	mm	A008

修订 REV	标记 MARK	修改摘要 REVISION DESCRIPTION	签名 SIGNATURE	日期 DATE
A0		NEW RELEASE	WANG	2014-07-10



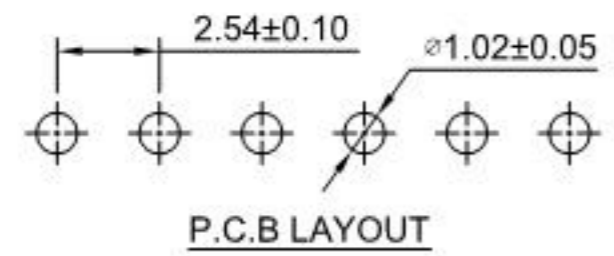
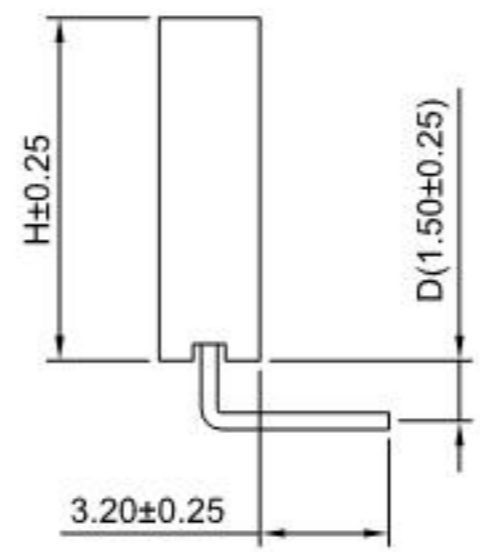
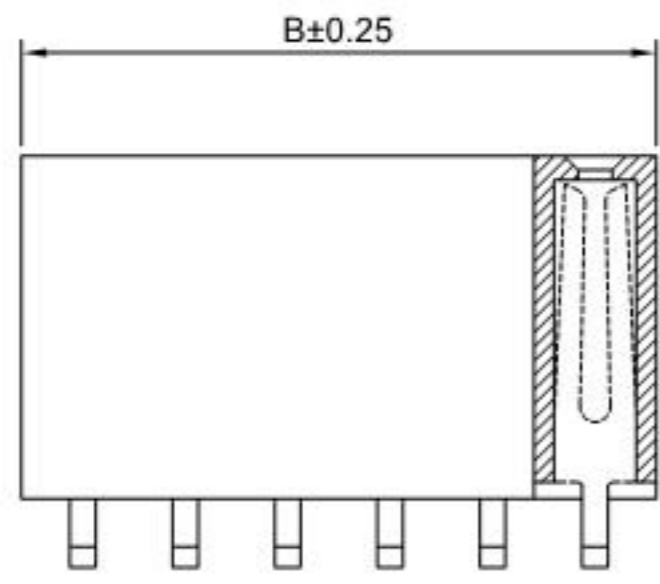
Ordering Information:  
 HDGC2541HWR-XP -  $\frac{****}{1}$  -  $\frac{+}{2}$  -  $\frac{-}{3}$  -  $\frac{***}{4}$

- Part No.
- Size(H):  
 (blank): 8.50mm  
 H71: 7.10mm  
 H57: 5.70mm(D:1.90mm)  
 H50: 5.00mm  
 H110: 11.00mm
- Finish:  
 (blank): Gold over Nickel  
 T: Tin over Nickel
- Material:  
 (blank): PBT,UL94V-0  
 6T: Nylon 6T,UL94V-0  
 GWT: Nylon 6T,UL94V-0,GWT 750°C

**SPECIFICATIONS:**  
 Current Rating: 3A AC,DC  
 Voltage Rating: 250V AC,DC  
 Temperature Range: -25°C ~ +85°C  
 Contact Resistance: 20mΩ Max  
 Insulation Resistance: 1000MΩ Min  
 Withstanding Voltage: 1500V AC/minute  
 Pin Material: Brass/Gold over Nickel  
 Material: PBT,UL94V-0(Black)

Ordering Information & Dimensions

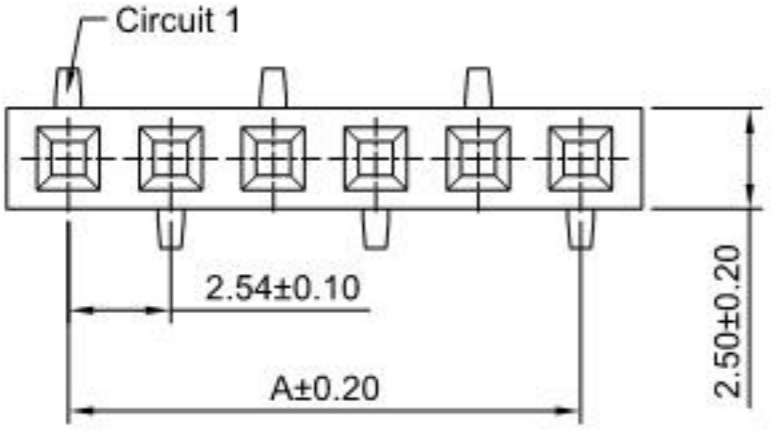
Circuits	Dim(mm)		Circuits	Dim(mm)		Circuits	Dim(mm)	
	A	B		A	B		A	B
2P	2.54	5.58	15P	35.56	38.60	28P	68.58	71.62
3P	5.08	8.12	16P	38.10	41.14	29P	71.12	74.16
4P	7.62	10.66	17P	40.64	43.68	30P	73.66	76.70
5P	10.16	13.20	18P	43.18	46.22	31P	76.20	79.24
6P	12.70	15.74	19P	45.72	48.76	32P	78.74	81.78
7P	15.24	18.28	20P	48.26	51.30	33P	81.28	84.32
8P	17.78	20.82	21P	50.80	53.84	34P	83.82	86.86
9P	20.32	23.36	22P	53.34	56.38	35P	86.36	89.40
10P	22.86	25.90	23P	55.88	58.92	36P	88.90	91.94
11P	25.40	28.44	24P	58.42	61.46	37P	91.44	94.48
12P	27.94	30.98	25P	60.96	64.00	38P	93.98	97.02
13P	30.48	33.52	26P	63.50	66.54	39P	96.52	99.56
14P	33.02	36.06	27P	66.04	69.08	40P	99.06	102.10



**HDGC** 深圳市华德共创科技有限公司  
 Shenzhen Huade co-create Technology Co., LTD  
 TEL: 0755-27129737 FAX: 0755-29940187

-TOLERANCES- UNLESS OTHERWISE SPECIFIED 公差参数表				TITLE: 2.54mm Pitch 产品名称: 90° Box Header	
X.X	±0.30	X.X°	±3°	APPD: 核准:	XIE
X.XX	±0.30	X.XX°	±2°	CHECK: 校对:	WANG
X.XXX	±0.10	X.XXX°	±1°	DRAW: 绘图:	WANG
PART NO: 产品编号:		DATE		SCALE	UNIT
HDGC2541HWR-XP		2014-07-10		4:1	mm
				CODE NUMBER	A008

修订 REV	标记 MARK	修改摘要 REVISION DESCRIPTION	签名 SIGNATURE	日期 DATE
A0		NEW RELEASE	WANG	2014-07-10



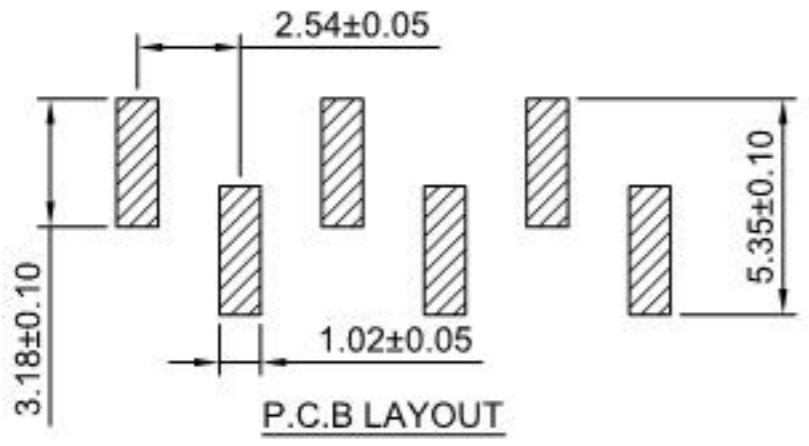
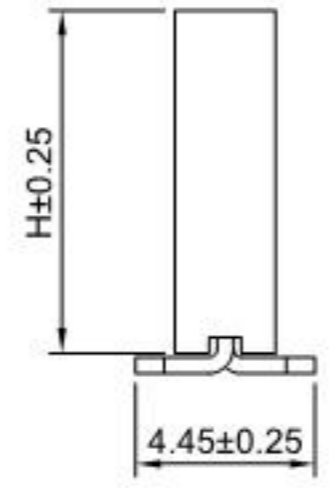
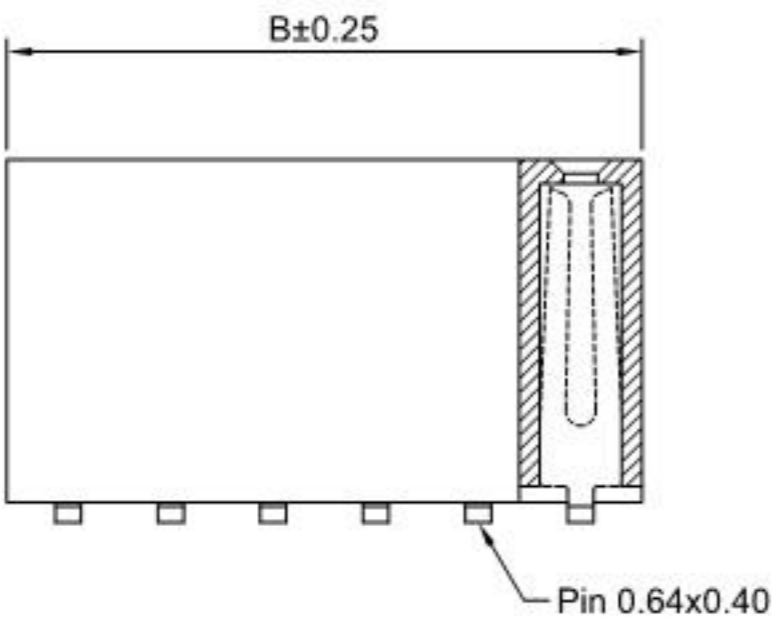
**Ordering Information:**  
 HDGC2541HWV-S-XP-A - <sup>\*\*\*\*</sup>/<sub>2</sub> - <sup>\*</sup>/<sub>3</sub> - <sup>\*\*\*</sup>/<sub>4</sub>

1.Part No.  
 2.Size(H):  
 (blank): 8.50mm  
 H71: 7.10mm  
 H57: 5.70mm  
 H50: 5.00mm  
 H110: 11.00mm  
 3.Finish:  
 (blank): Gold over Nickel  
 T: Tin over Nickel  
 4.Material:  
 (blank): Nylon 6T,UL94V-0  
 GWT: Nylon 6T,UL94V-0,GWT 750°C

**SPECIFICATIONS:**  
 Current Rating: 3A AC,DC  
 Voltage Rating: 250V AC,DC  
 Temperature Range: -25°C ~ +85°C  
 Contact Resistance: 20mΩ Max  
 Insulation Resistance: 1000MΩ Min  
 Withstanding Voltage: 1500V AC/minute  
 Pin Material:Brass/Gold over Nickel  
 Material:Nylon 6T,UL94V-0(Black)

**Ordering Information & Dimensions**

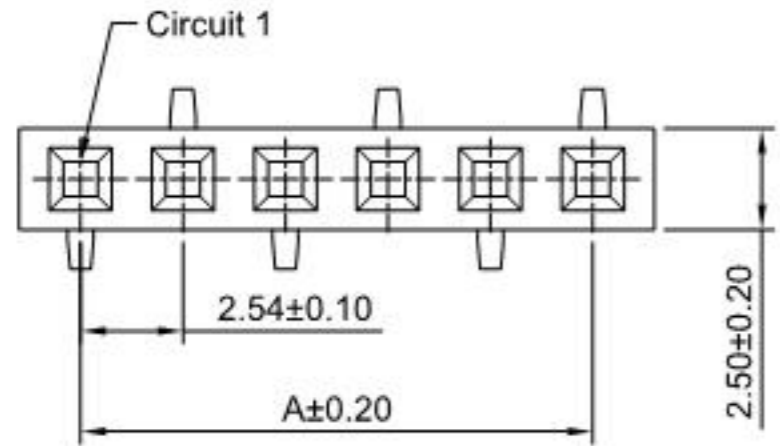
Circuits	Dim(mm)		Circuits	Dim(mm)		Circuits	Dim(mm)	
	A	B		A	B		A	B
2P	2.54	5.58	15P	35.56	38.60	28P	68.58	71.62
3P	5.08	8.12	16P	38.10	41.14	29P	71.12	74.16
4P	7.62	10.66	17P	40.64	43.68	30P	73.66	76.70
5P	10.16	13.20	18P	43.18	46.22	31P	76.20	79.24
6P	12.70	15.74	19P	45.72	48.76	32P	78.74	81.78
7P	15.24	18.28	20P	48.26	51.30	33P	81.28	84.32
8P	17.78	20.82	21P	50.80	53.84	34P	83.82	86.86
9P	20.32	23.36	22P	53.34	56.38	35P	86.36	89.40
10P	22.86	25.90	23P	55.88	58.92	36P	88.90	91.94
11P	25.40	28.44	24P	58.42	61.46	37P	91.44	94.48
12P	27.94	30.98	25P	60.96	64.00	38P	93.98	97.02
13P	30.48	33.52	26P	63.50	66.54	39P	96.52	99.56
14P	33.02	36.06	27P	66.04	69.08	40P	99.06	102.10



**深圳市华德共创科技有限公司**  
 Shenzhen Huade co-create Technology Co., LTD  
 TEL: 0755-27129737 FAX: 0755-29940187

-TOLERANCES- UNLESS OTHERWISE SPECIFIED 公差参数表			TITLE: 2.54mm Pitch 产品名称: 180° Box Header	
X.X	±0.30	X.X°	±3°	APPD: 核准: XIE
X.XX	±0.30	X.XX°	±2°	CHECK: 校对: WANG
X.XXX	±0.10	X.XXX°	±1°	DRAW: 绘图: WANG
		DATE	SCALE	UNIT
		2014-07-10	4:1	mm
		PART NO: HDGC2541HWV-S-XP-A 产品编号:		CODE NUMBER
				A008

修订 REV	标记 MARK	修改摘要 REVISION DESCRIPTION	签名 SIGNATURE	日期 DATE
A0		NEW RELEASE	WANG	2014-07-10



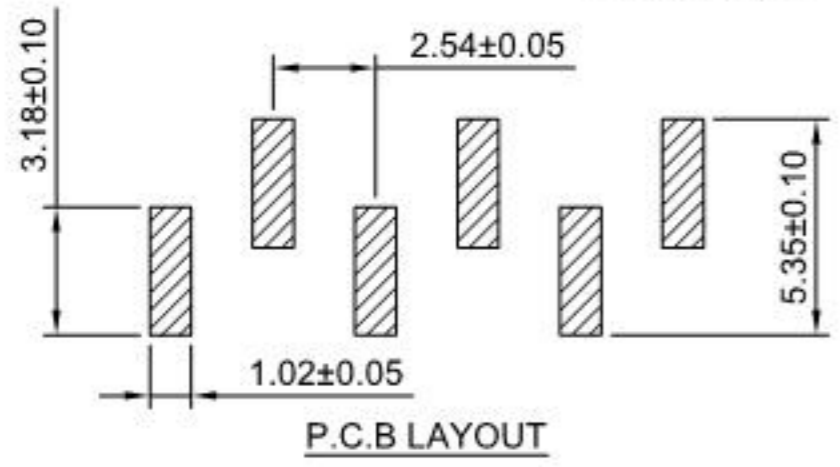
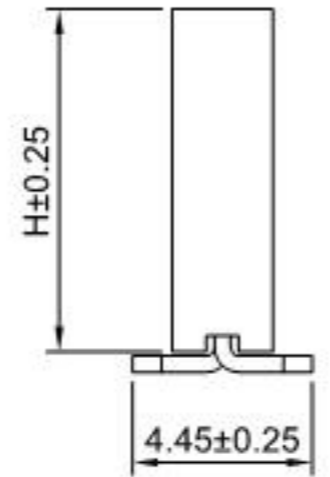
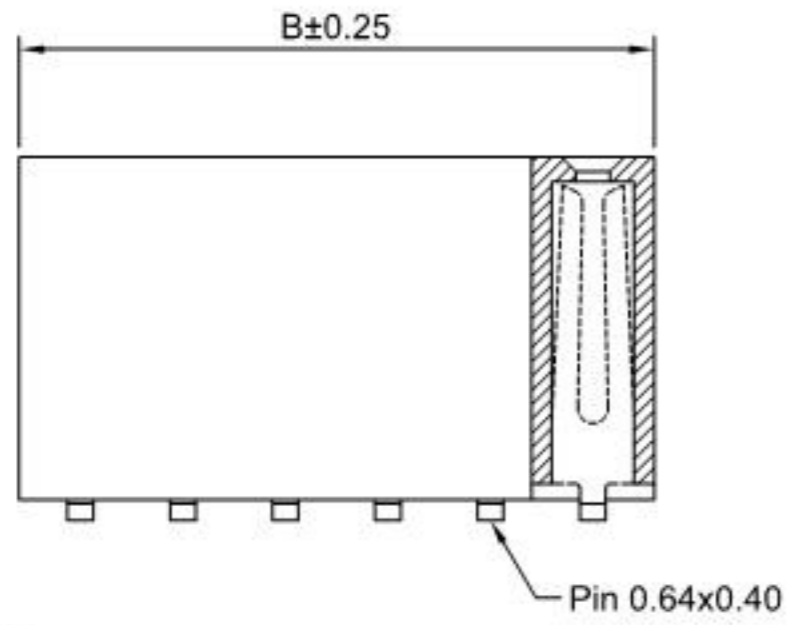
Ordering Information:  
 HDGC2541HWV-S-XP-B -  $\frac{****}{1} - \frac{*}{2} - \frac{*}{3} - \frac{***}{4}$

- Part No.
- Size(H):  
 (blank): 8.50mm  
 H71: 7.10mm  
 H57: 5.70mm  
 H50: 5.00mm  
 H110: 11.00mm
- Finish:  
 (blank): Gold over Nickel  
 T: Tin over Nickel
- Material:  
 (blank): Nylon 6T,UL94V-0  
 GWT: Nylon 6T,UL94V-0,GWT 750°C

**SPECIFICATIONS:**  
 Current Rating: 3A AC,DC  
 Voltage Rating: 250V AC,DC  
 Temperature Range: -25°C ~ +85°C  
 Contact Resistance: 20mΩ Max  
 Insulation Resistance: 1000MΩ Min  
 Withstanding Voltage: 1500V AC/minute  
 Pin Material: Brass/Gold over Nickel  
 Material: Nylon 6T,UL94V-0(Black)

Ordering Information & Dimensions

Circuits	Dim(mm)		Circuits	Dim(mm)		Circuits	Dim(mm)	
	A	B		A	B		A	B
2P	2.54	5.58	15P	35.56	38.60	28P	68.58	71.62
3P	5.08	8.12	16P	38.10	41.14	29P	71.12	74.16
4P	7.62	10.66	17P	40.64	43.68	30P	73.66	76.70
5P	10.16	13.20	18P	43.18	46.22	31P	76.20	79.24
6P	12.70	15.74	19P	45.72	48.76	32P	78.74	81.78
7P	15.24	18.28	20P	48.26	51.30	33P	81.28	84.32
8P	17.78	20.82	21P	50.80	53.84	34P	83.82	86.86
9P	20.32	23.36	22P	53.34	56.38	35P	86.36	89.40
10P	22.86	25.90	23P	55.88	58.92	36P	88.90	91.94
11P	25.40	28.44	24P	58.42	61.46	37P	91.44	94.48
12P	27.94	30.98	25P	60.96	64.00	38P	93.98	97.02
13P	30.48	33.52	26P	63.50	66.54	39P	96.52	99.56
14P	33.02	36.06	27P	66.04	69.08	40P	99.06	102.10



**HDGC** 深圳市华德共创科技有限公司  
 Shenzhen Huade co-create Technology Co., LTD  
 TEL: 0755-27129737 FAX: 0755-29940187

-TOLERANCES- UNLESS OTHERWISE SPECIFIED 公差参数表				TITLE: 2.54mm Pitch 产品名称: 180° Box Header	
X.X	±0.30	X.X°	±3°	APPD: 核准:	XIE
X.XX	±0.30	X.XX°	±2°	CHECK: 校对:	WANG
X.XXX	±0.10	X.XXX°	±1°	DRAW: 绘图:	WANG
PART NO: 产品编号:			HDGC2541HWV-S-XP-B		
DATE	SCALE	UNIT	CODE NUMBER		
2014-07-10	4:1	mm	A008		

修订 REV	标记 MARK	修改摘要 REVISION DESCRIPTION	签名 SIGNATURE	日期 DATE
A0		NEW RELEASE	WANG	2014-07-10



**Ordering Information:**

HDGC2541HWR-S-XP -  $\frac{****}{1} - \frac{**}{2} - \frac{*}{3} - \frac{***}{4}$

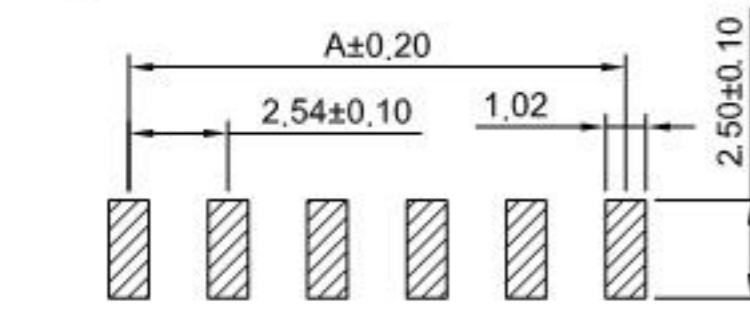
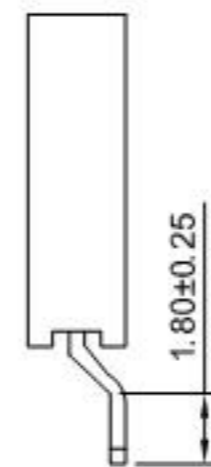
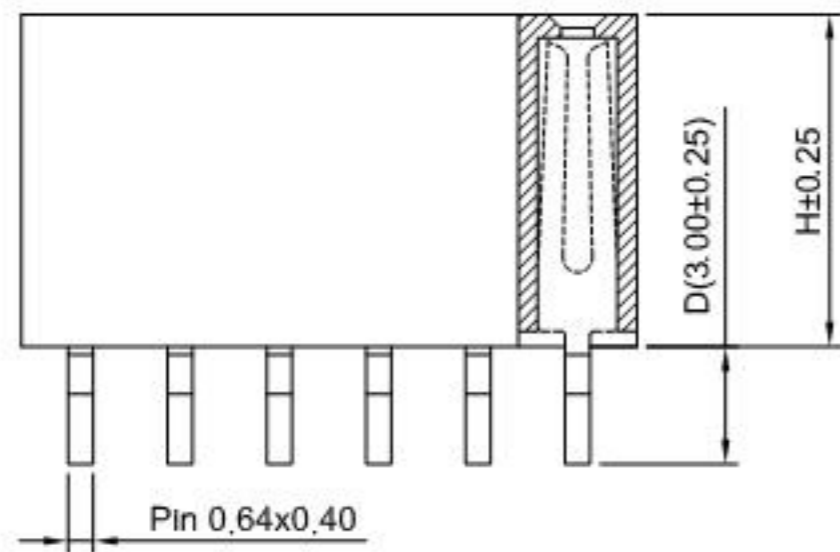
- Part No.
- Size(H):  
(blank): 8.50mm  
H71: 7.10mm  
H57: 5.70mm  
H50: 5.00mm  
H110: 11.00mm
- Finish:  
(blank): Gold over Nickel  
T: Tin over Nickel
- Material:  
(blank): Nylon 6T, UL94V-0  
GWT: Nylon 6T, UL94V-0, GWT 750°C

**SPECIFICATIONS:**

Current Rating: 3A AC,DC  
Voltage Rating: 250V AC,DC  
Temperature Range: -25°C ~ +85°C  
Contact Resistance: 20mΩ Max  
Insulation Resistance: 1000MΩ Min  
Withstanding Voltage: 1500V AC/minute  
Pin Material: Brass/Gold over Nickel  
Material: Nylon 6T, UL94V-0(Black)

**Ordering Information & Dimensions**

Circuits	Dim(mm)		Circuits	Dim(mm)		Circuits	Dim(mm)	
	A	B		A	B		A	B
2P	2.54	5.58	15P	35.56	38.60	28P	68.58	71.62
3P	5.08	8.12	16P	38.10	41.14	29P	71.12	74.16
4P	7.62	10.66	17P	40.64	43.68	30P	73.66	76.70
5P	10.16	13.20	18P	43.18	46.22	31P	76.20	79.24
6P	12.70	15.74	19P	45.72	48.76	32P	78.74	81.78
7P	15.24	18.28	20P	48.26	51.30	33P	81.28	84.32
8P	17.78	20.82	21P	50.80	53.84	34P	83.82	86.86
9P	20.32	23.36	22P	53.34	56.38	35P	86.36	89.40
10P	22.86	25.90	23P	55.88	58.92	36P	88.90	91.94
11P	25.40	28.44	24P	58.42	61.46	37P	91.44	94.48
12P	27.94	30.98	25P	60.96	64.00	38P	93.98	97.02
13P	30.48	33.52	26P	63.50	66.54	39P	96.52	99.56
14P	33.02	36.06	27P	66.04	69.08	40P	99.06	102.10



P.B.C LAYOUT



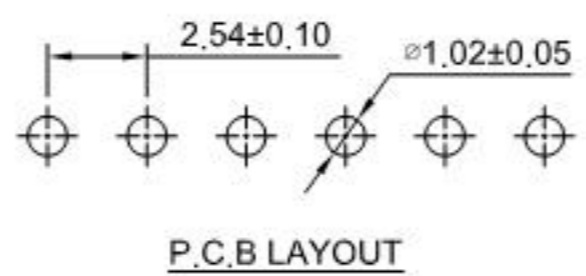
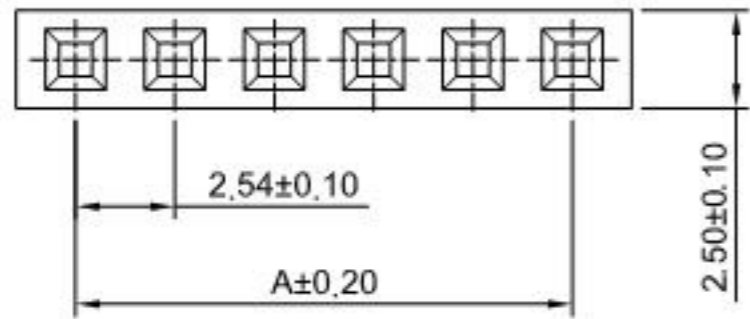
深圳市华德共创科技有限公司

Shenzhen Huade co-create Technology Co., LTD

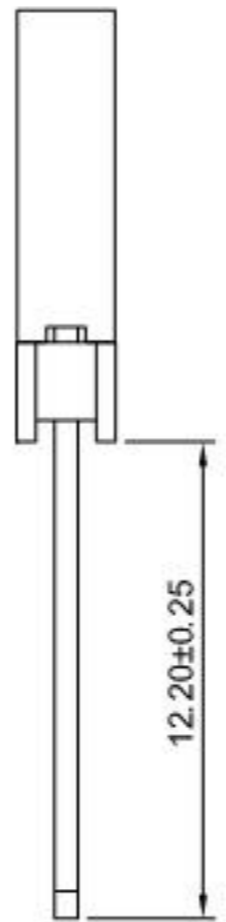
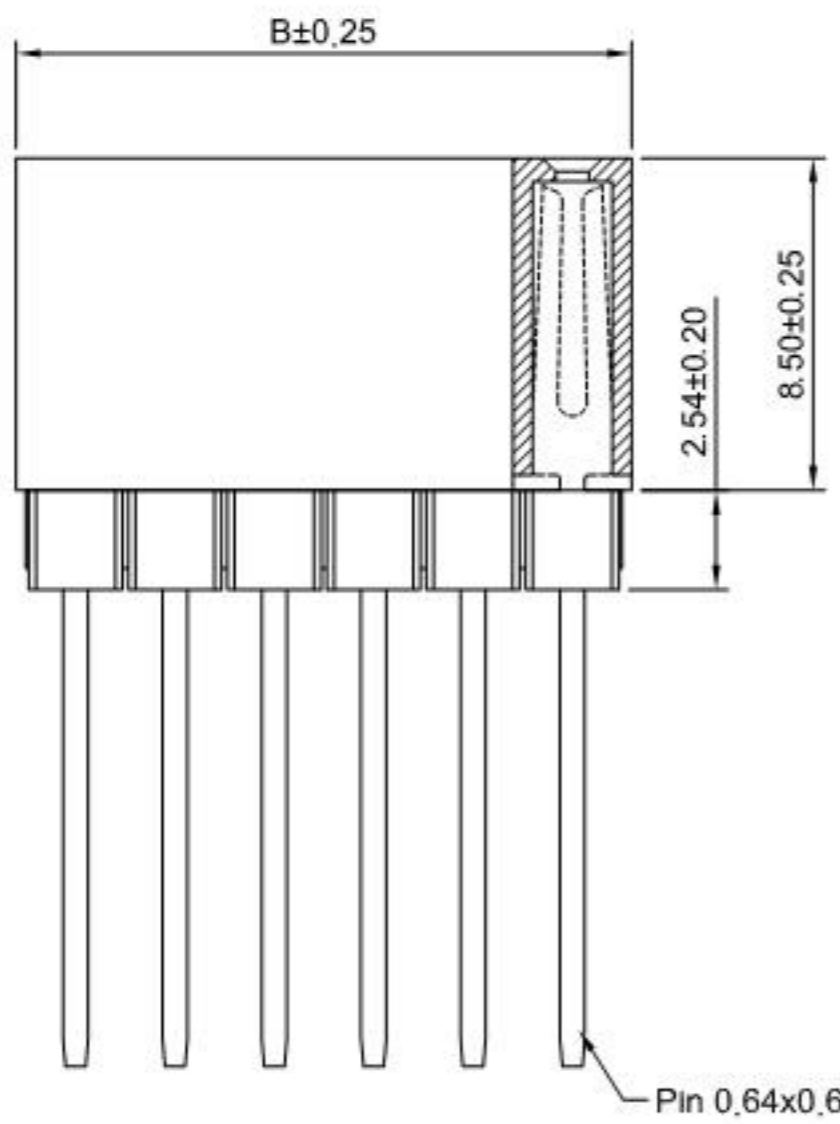
TEL: 0755-27129737 FAX: 0755-29940187

-TOLERANCES- UNLESS OTHERWISE SPECIFIED 公差参数表				TITLE: 2.54mm Pitch 产品名称: 90° Box Header	
X.X	±0.30	X.X°	±3°	APPD: 核准:	XIE
X.XX	±0.30	X.XX°	±2°	CHECK: 校对:	WANG
X.XXX	±0.10	X.XXX°	±1°	DRAW: 绘图:	WANG
PART NO: 产品编号:			HDGC2541HWR-S-XP		
DATE	SCALE	UNIT	CODE NUMBER		
2014-07-10	5:1	mm	A008		

修订 REV	标记 MARK	修改摘要 REVISION DESCRIPTION	签名 SIGNATURE	日期 DATE
A0		NEW RELEASE	WANG	2014-07-10



**SPECIFICATIONS:**  
 Current Rating: 3A AC,DC  
 Voltage Rating: 250V AC,DC  
 Temperature Range: -25°C ~ +85°C  
 Contact Resistance: 20mΩ Max  
 Insulation Resistance: 1000MΩ Min  
 Withstanding Voltage: 1500V AC/minute  
 Pin Material: Brass/Gold over Nickel  
 Material: PBT 15%GF, UL94V-0(Black)



**Ordering Information & Dimensions**

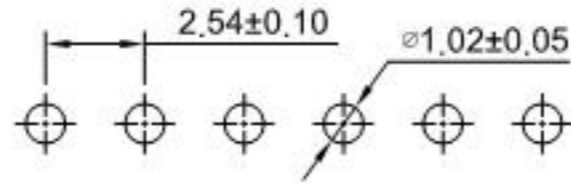
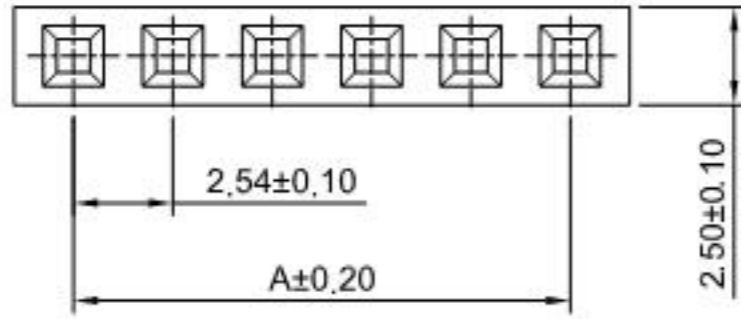
Circuits	Dim(mm)		Circuits	Dim(mm)		Circuits	Dim(mm)	
	A	B		A	B		A	B
2P	2.54	5.58	15P	35.56	38.60	28P	68.58	71.62
3P	5.08	8.12	16P	38.10	41.14	29P	71.12	74.16
4P	7.62	10.66	17P	40.64	43.68	30P	73.66	76.70
5P	10.16	13.20	18P	43.18	46.22	31P	76.20	79.24
6P	12.70	15.74	19P	45.72	48.76	32P	78.74	81.78
7P	15.24	18.28	20P	48.26	51.30	33P	81.28	84.32
8P	17.78	20.82	21P	50.80	53.84	34P	83.82	86.86
9P	20.32	23.36	22P	53.34	56.38	35P	86.36	89.40
10P	22.86	25.90	23P	55.88	58.92	36P	88.90	91.94
11P	25.40	28.44	24P	58.42	61.46	37P	91.44	94.48
12P	27.94	30.98	25P	60.96	64.00	38P	93.98	97.02
13P	30.48	33.52	26P	63.50	66.54	39P	96.52	99.56
14P	33.02	36.06	27P	66.04	69.08	40P	99.06	102.10



**深圳市华德共创科技有限公司**  
 Shenzhen Huade co-create Technology Co., LTD  
 TEL: 0755-27129737 FAX: 0755-29940187

-TOLERANCES- UNLESS OTHERWISE SPECIFIED 公差参数表						TITLE: 2.54mm Pitch 产品名称: 180° Box Header			
X.X	±0.30	X.X°	±3°	APPD: 核准:	XIE	PART NO: 产品编号: HDGC2541HWV-XP-H-L12			
X.XX	±0.30	X.XX°	±2°	CHECK: 校对:	WANG	DATE	SCALE	UNIT	CODE NUMBER
X.XXX	±0.10	X.XXX°	±1°	DRAW: 绘图:	WANG	2014-07-10	4:1	mm	A008

修订 REV	标记 MARK	修改摘要 REVISION DESCRIPTION	签名 SIGNATURE	日期 DATE
A0		NEW RELEASE	WANG	2014-07-10



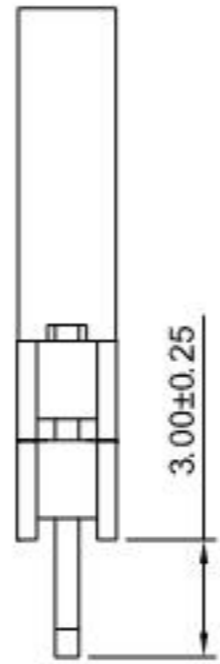
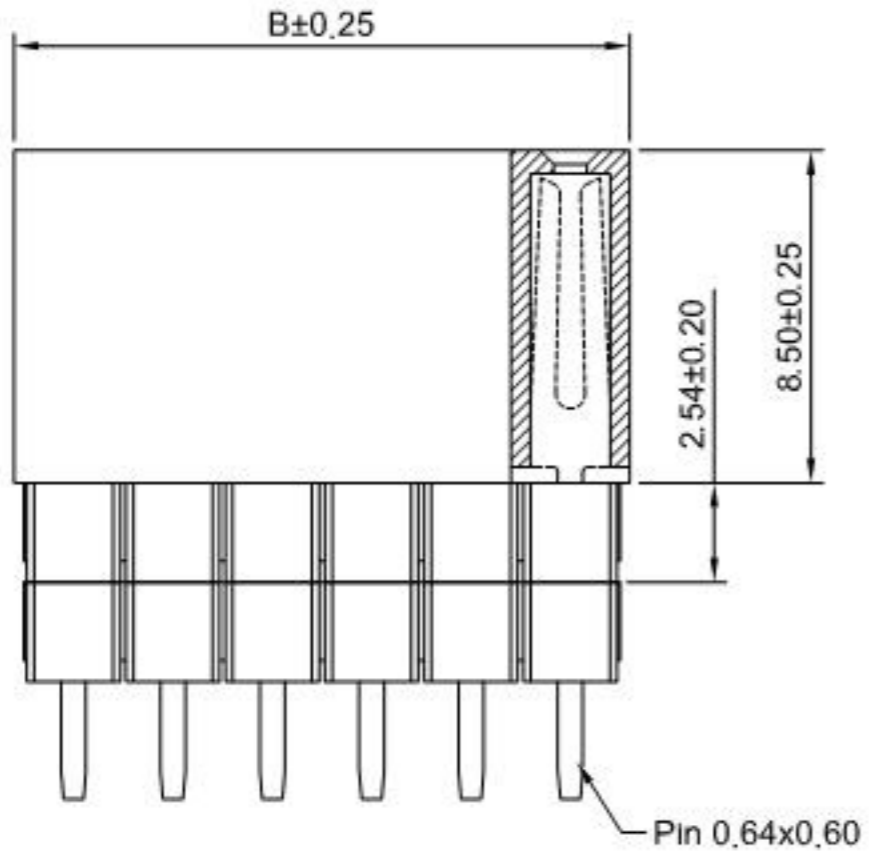
P.C.B LAYOUT

**SPECIFICATIONS:**

Current Rating: 3A AC,DC  
Voltage Rating: 250V AC,DC  
Temperature Range: -25°C ~ +85°C  
Contact Resistance: 20mΩ Max  
Insulation Resistance: 1000MΩ Min  
Withstanding Voltage: 1500V AC/minute  
Pin Material: Brass/Gold over Nickel  
Material: PBT 15%GF, UL94V-0(Black)

**Ordering Information & Dimensions**

Circuits	Dim(mm)		Circuits	Dim(mm)		Circuits	Dim(mm)	
	A	B		A	B		A	B
2P	2.54	5.58	15P	35.56	38.60	28P	68.58	71.62
3P	5.08	8.12	16P	38.10	41.14	29P	71.12	74.16
4P	7.62	10.66	17P	40.64	43.68	30P	73.66	76.70
5P	10.16	13.20	18P	43.18	46.22	31P	76.20	79.24
6P	12.70	15.74	19P	45.72	48.76	32P	78.74	81.78
7P	15.24	18.28	20P	48.26	51.30	33P	81.28	84.32
8P	17.78	20.82	21P	50.80	53.84	34P	83.82	86.86
9P	20.32	23.36	22P	53.34	56.38	35P	86.36	89.40
10P	22.86	25.90	23P	55.88	58.92	36P	88.90	91.94
11P	25.40	28.44	24P	58.42	61.46	37P	91.44	94.48
12P	27.94	30.98	25P	60.96	64.00	38P	93.98	97.02
13P	30.48	33.52	26P	63.50	66.54	39P	96.52	99.56
14P	33.02	36.06	27P	66.04	69.08	40P	99.06	102.10



**深圳市华德共创科技有限公司**  
Shenzhen Huade co-create Technology Co., LTD  
TEL: 0755-27129737 FAX: 0755-29940187

-TOLERANCES- UNLESS OTHERWISE SPECIFIED 公差参数表		 APPD: 核准: XIE	TITLE: 2.54mm Pitch 产品名称: 180° Box Header					
X.X	±0.30	X.X°	±3°	PART NO: HDGC2541HWV-XP-H2 产品编号:				
X.XX	±0.30	X.XX°	±2°	CHECK: 校对: WANG	DATE	SCALE	UNIT	CODE NUMBER
X.XXX	±0.10	X.XXX°	±1°	DRAW: 绘图: WANG	2014-07-10	4:1	mm	A008

修订 REV	标记 MARK	修改摘要 REVISION DESCRIPTION	签名 SIGNATURE	日期 DATE
A0		NEW RELEASE	WANG	2014-07-10

Ordering Information:  
 HDGC2541HWV-XP-U - <sup>\*\*\*\*</sup>/<sub>1</sub> - <sup>\*</sup>/<sub>2</sub> - <sup>\*\*\*</sup>/<sub>3</sub> - <sup>\*\*\*</sup>/<sub>4</sub>

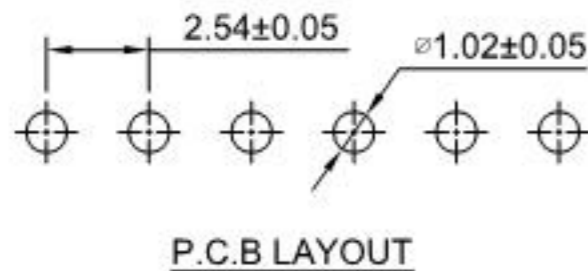
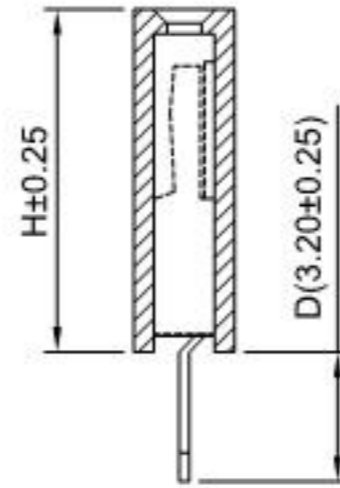
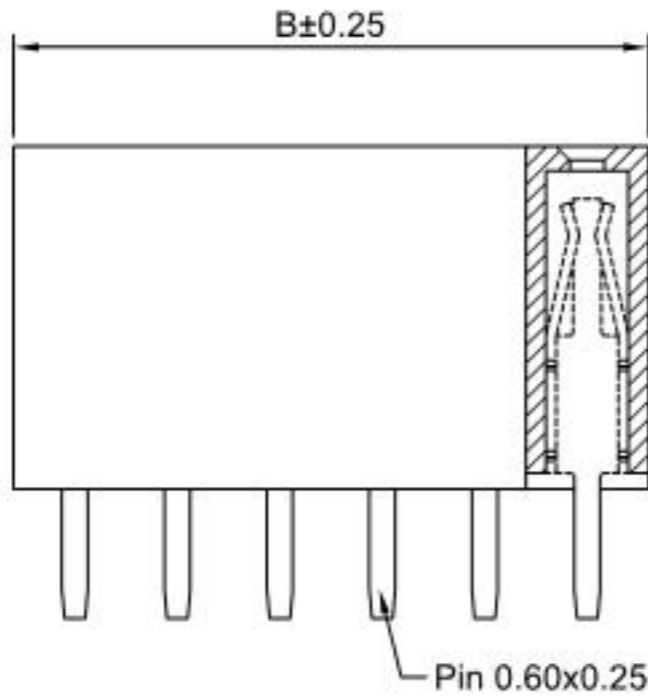
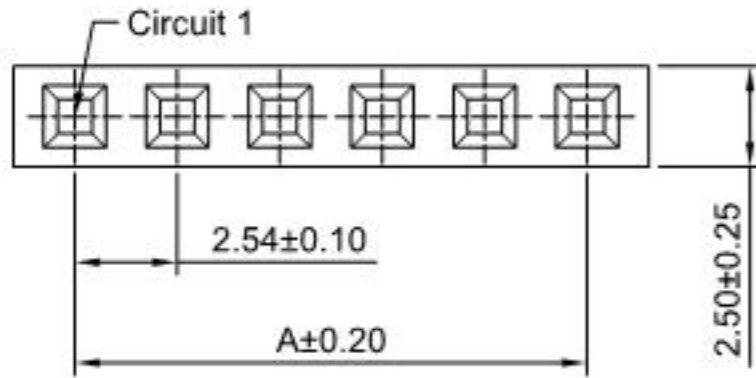
- Part No.
- Size(H):  
 (blank): 8.50mm  
 H71: 7.10mm  
 H50: 5.00mm(Pin 0.60x0.20)  
 H35: 3.50mm(Pin 0.50x0.20, B:B-0.50mm, D:3.50mm)
- Finish:  
 (blank): Gold over Nickel  
 T: Tin over Nickel
- Material:  
 (blank): PBT,UL94V-0  
 6T: Nylon 6T,UL94V-0  
 GWT: Nylon 6T,UL94V-0,GWT 750°C

**SPECIFICATIONS:**

Current Rating: 3A AC,DC  
 Voltage Rating: 250V AC,DC  
 Temperature Range: -25°C ~ +85°C  
 Contact Resistance: 20mΩ Max  
 Insulation Resistance: 1000MΩ Min  
 Withstanding Voltage: 1500V AC/minute  
 Pin Material: Brass/Gold over Nickel  
 Material: PBT,UL94V-0(Black)

Ordering Information & Dimensions

Circuits	Dim(mm)		Circuits	Dim(mm)		Circuits	Dim(mm)	
	A	B		A	B		A	B
2P	2.54	5.58	15P	35.56	38.60	28P	68.58	71.62
3P	5.08	8.12	16P	38.10	41.14	29P	71.12	74.16
4P	7.62	10.66	17P	40.64	43.68	30P	73.66	76.70
5P	10.16	13.20	18P	43.18	46.22	31P	76.20	79.24
6P	12.70	15.74	19P	45.72	48.76	32P	78.74	81.78
7P	15.24	18.28	20P	48.26	51.30	33P	81.28	84.32
8P	17.78	20.82	21P	50.80	53.84	34P	83.82	86.86
9P	20.32	23.36	22P	53.34	56.38	35P	86.36	89.40
10P	22.86	25.90	23P	55.88	58.92	36P	88.90	91.94
11P	25.40	28.44	24P	58.42	61.46	37P	91.44	94.48
12P	27.94	30.98	25P	60.96	64.00	38P	93.98	97.02
13P	30.48	33.52	26P	63.50	66.54	39P	96.52	99.56
14P	33.02	36.06	27P	66.04	69.08	40P	99.06	102.10



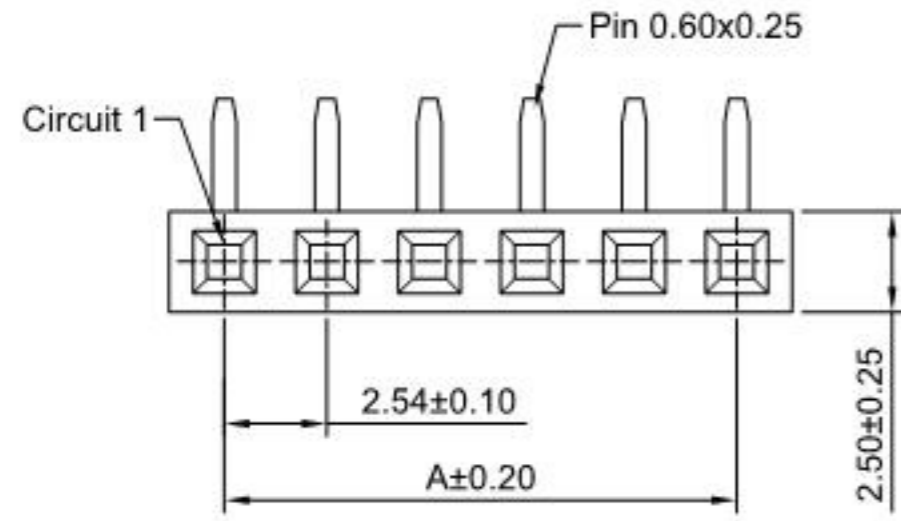
深圳市华德共创科技有限公司

Shenzhen Huade co-create Technology Co., LTD

TEL: 0755-27129737 FAX: 0755-29940187

-TOLERANCES- UNLESS OTHERWISE SPECIFIED 公差参数表				TITLE: 2.54mm Pitch 产品名称: 180° Box Header	
X.X	±0.30	X.X°	±3°	APPD: 核准:	XIE
X.XX	±0.30	X.XX°	±2°	CHECK: 校对:	WANG
X.XXX	±0.10	X.XXX°	±1°	DRAW: 绘图:	WANG
PART NO: 产品编号:		HDGC2541HWV-XP-U		DATE	2014-07-10
SCALE		4:1		UNIT	mm
CODE NUMBER		A008			

修订 REV	标记 MARK	修改摘要 REVISION DESCRIPTION	签名 SIGNATURE	日期 DATE
A0		NEW RELEASE	WANG	2014-07-10



**Ordering Information:**

HDGC2541HWR-XP-U -  $\frac{***}{2}$  -  $\frac{*}{3}$  -  $\frac{***}{4}$

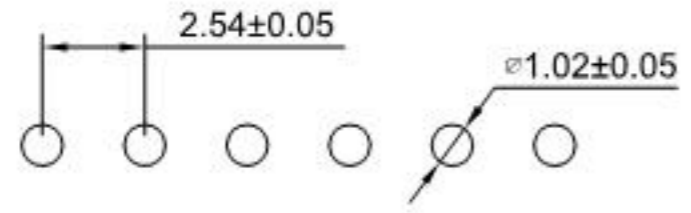
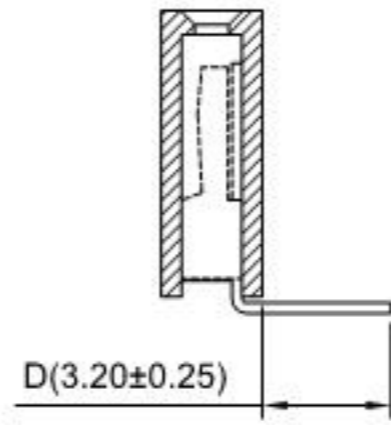
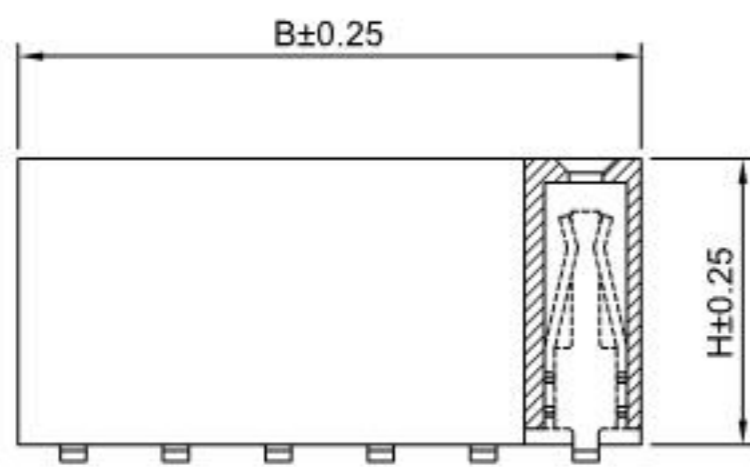
- Part No.
- Size(H):  
 (blank): 8.50mm  
 H71: 7.10mm(D:2.80mm)  
 H50: 5.00mm(D:3.00mm)
- Finish:  
 (blank): Gold over Nickel  
 T: Tin over Nickel
- Material:  
 (blank): PBT,UL94V-0  
 6T: Nylon 6T,UL94V-0  
 GWT: Nylon 6T,UL94V-0,GWT 750°C

**SPECIFICATIONS:**

Current Rating: 3A AC,DC  
 Voltage Rating: 250V AC,DC  
 Temperature Range: -25°C ~ +85°C  
 Contact Resistance: 20mΩ Max  
 Insulation Resistance: 1000MΩ Min  
 Withstanding Voltage: 1500V AC/minute  
 Pin Material: Brass/Gold over Nickel  
 Material: PBT,UL94V-0(Black)

**Ordering Information & Dimensions**

Circuits	Dim(mm)		Circuits	Dim(mm)		Circuits	Dim(mm)	
	A	B		A	B		A	B
2P	2.54	5.58	15P	35.56	38.60	28P	68.58	71.62
3P	5.08	8.12	16P	38.10	41.14	29P	71.12	74.16
4P	7.62	10.66	17P	40.64	43.68	30P	73.66	76.70
5P	10.16	13.20	18P	43.18	46.22	31P	76.20	79.24
6P	12.70	15.74	19P	45.72	48.76	32P	78.74	81.78
7P	15.24	18.28	20P	48.26	51.30	33P	81.28	84.32
8P	17.78	20.82	21P	50.80	53.84	34P	83.82	86.86
9P	20.32	23.36	22P	53.34	56.38	35P	86.36	89.40
10P	22.86	25.90	23P	55.88	58.92	36P	88.90	91.94
11P	25.40	28.44	24P	58.42	61.46	37P	91.44	94.48
12P	27.94	30.98	25P	60.96	64.00	38P	93.98	97.02
13P	30.48	33.52	26P	63.50	66.54	39P	96.52	99.56
14P	33.02	36.06	27P	66.04	69.08	40P	99.06	102.10



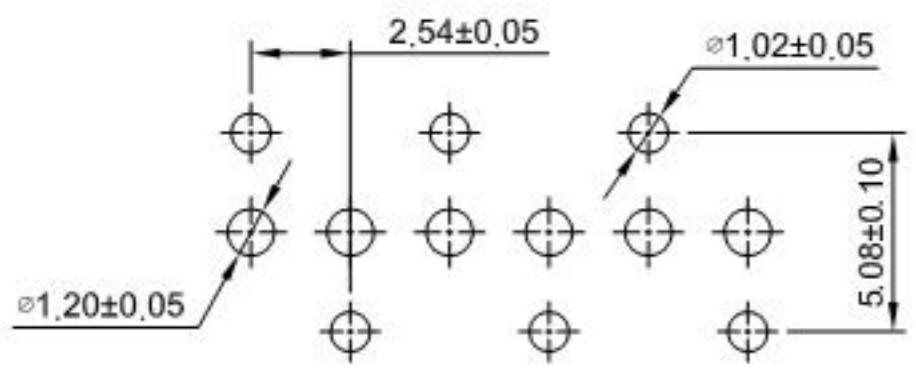
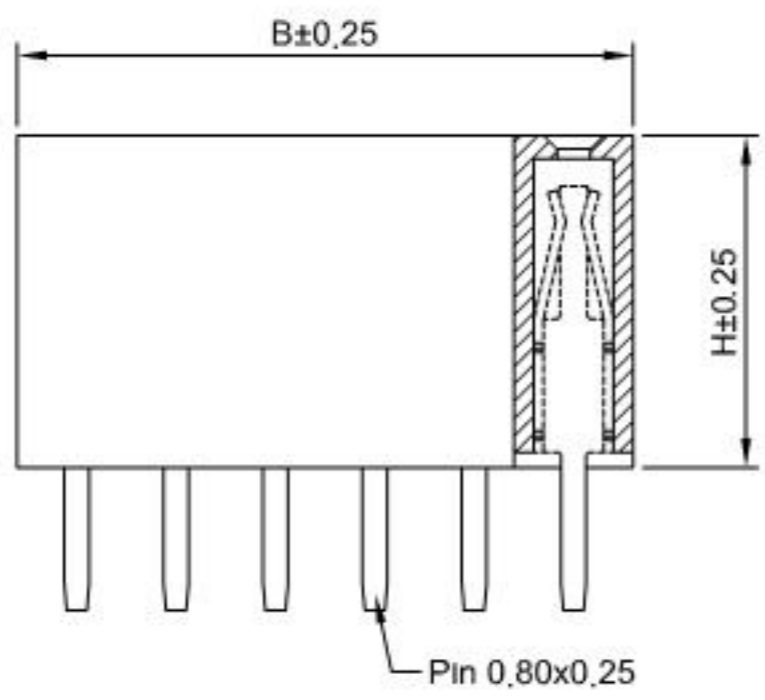
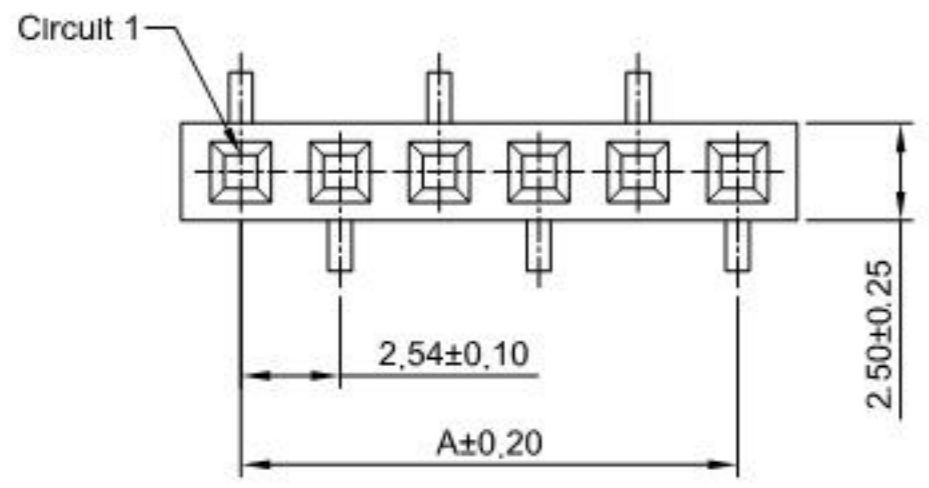
**P.C.B LAYOUT**

**深圳市华德共创科技有限公司**  
 Shenzhen Huade co-create Technology Co., LTD  
 TEL: 0755-27129737 FAX: 0755-29940187

-TOLERANCES- UNLESS OTHERWISE SPECIFIED 公差参数表		TITLE: 2.54mm Pitch 产品名称: 90° Box Header	
X.X	±0.30	X.X°	±3°
X.XX	±0.30	X.XX°	±2°
X.XXX	±0.10	X.XXX°	±1°

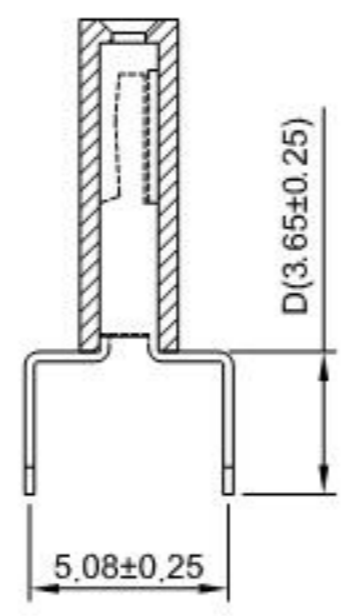
APPD: 核准:	XIE	PART NO: 产品编号:	HDGC2541HWR-XP-U
CHECK: 校对:	WANG	DATE	2014-07-10
DRAW: 绘图:	WANG	SCALE	4:1
		UNIT	mm
		CODE NUMBER	A008

修订 REV	标记 MARK	修改摘要 REVISION DESCRIPTION	签名 SIGNATURE	日期 DATE
A0		NEW RELEASE	WANG	2014-07-10



Ordering Information:  
 HDGC2541HWV-XP-A-U -  $\frac{****}{2}$  -  $\frac{7}{3}$  -  $\frac{***}{4}$

- 1.Part No.
- 2.Size(H):  
 (blank): 8.50mm  
 H71: 7.10mm(Pin 0.60x0.25,D:3.40mm)  
 H50: 5.00mm(Pin 0.60x0.25,D:3.00mm)  
 H35: 3.50mm(Pin 0.50x0.20,B:B-0.50mm, D:2.60mm)
- 3.Finish:  
 (blank): Gold over Nickel  
 T: Tin over Nickel
- 4.Material:  
 (blank): Nylon 6T,UL94V-0  
 GWT: Nylon 6T,UL94V-0,GWT 750°C



**SPECIFICATIONS:**

Current Rating: 3A AC,DC  
 Voltage Rating: 250V AC,DC  
 Temperature Range: -25°C ~ +85°C  
 Contact Resistance: 20mΩ Max  
 Insulation Resistance: 1000MΩ Min  
 Withstanding Voltage: 1500V AC/minute  
 Pin Material:Brass/Gold over Nickel  
 Material:Nylon 6T,UL94V-0(Black)

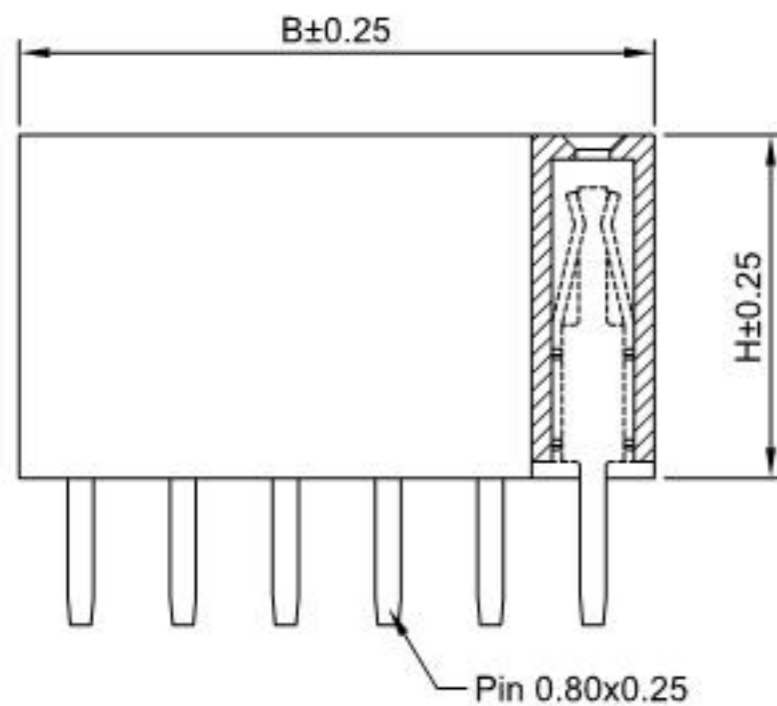
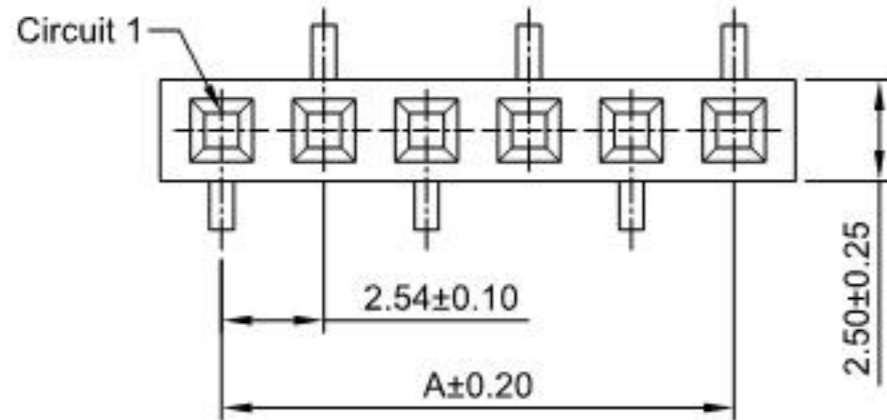
Ordering Information & Dimensions

Circuits	Dim(mm)		Circuits	Dim(mm)		Circuits	Dim(mm)	
	A	B		A	B		A	B
2P	2.54	5.58	15P	35.56	38.60	28P	68.58	71.62
3P	5.08	8.12	16P	38.10	41.14	29P	71.12	74.16
4P	7.62	10.66	17P	40.64	43.68	30P	73.66	76.70
5P	10.16	13.20	18P	43.18	46.22	31P	76.20	79.24
6P	12.70	15.74	19P	45.72	48.76	32P	78.74	81.78
7P	15.24	18.28	20P	48.26	51.30	33P	81.28	84.32
8P	17.78	20.82	21P	50.80	53.84	34P	83.82	86.86
9P	20.32	23.36	22P	53.34	56.38	35P	86.36	89.40
10P	22.86	25.90	23P	55.88	58.92	36P	88.90	91.94
11P	25.40	28.44	24P	58.42	61.46	37P	91.44	94.48
12P	27.94	30.98	25P	60.96	64.00	38P	93.98	97.02
13P	30.48	33.52	26P	63.50	66.54	39P	96.52	99.56
14P	33.02	36.06	27P	66.04	69.08	40P	99.06	102.10

**HDGC** 深圳市华德共创科技有限公司  
 Shenzhen Huade co-create Technology Co., LTD  
 TEL: 0755-27129737 FAX: 0755-29940187

-TOLERANCES- UNLESS OTHERWISE SPECIFIED 公差参数表				TITLE: 2.54mm Pitch 产品名称: 180° Box Header	
X.X	±0.30	X.X°	±3°	APPD: 核准:	XIE
X.XX	±0.30	X.XX°	±2°	CHECK: 校对:	WANG
X.XXX	±0.10	X.XXX°	±1°	DRAW: 绘图:	WANG
PART NO: 产品编号:			DATE	SCALE	UNIT
HDGC2541HWV-XP-A-U			2014-07-10	4:1	mm
CODE NUMBER			A008		

修订 REV	标记 MARK	修改摘要 REVISION DESCRIPTION	签名 SIGNATURE	日期 DATE
A0		NEW RELEASE	WANG	2014-07-10



**Ordering Information:**

HDGC2541HWV-XP-B-U -  $\frac{****}{1} - \frac{*}{2} - \frac{***}{3} - \frac{***}{4}$

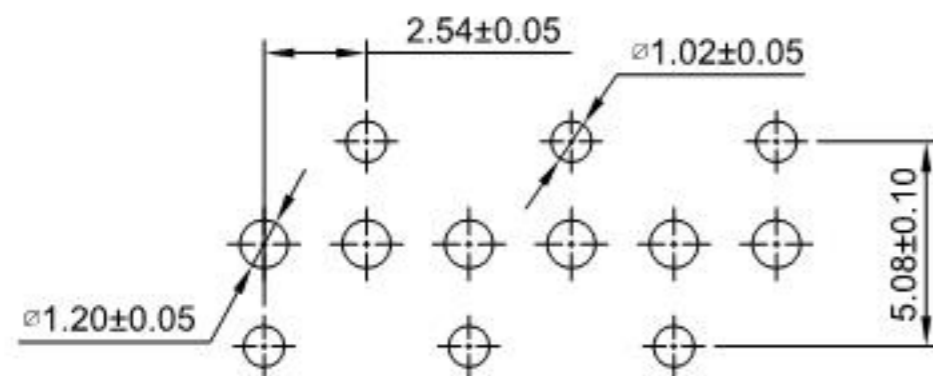
- Part No.
- Size(H):  
 (blank): 8.50mm  
 H71: 7.10mm(Pin 0.60x0.25,D:3.40mm)  
 H50: 5.00mm(Pin 0.60x0.25,D:3.00mm)  
 H35: 3.50mm(Pin 0.50x0.20,B:B-0.50mm, D:2.60mm)
- Finish:  
 (blank): Gold over Nickel  
 T: Tin over Nickel
- Material:  
 (blank): PBT,UL94V-0  
 6T: Nylon 6T,UL94V-0  
 GWT: Nylon 6T,UL94V-0,GWT 750°C

**SPECIFICATIONS:**

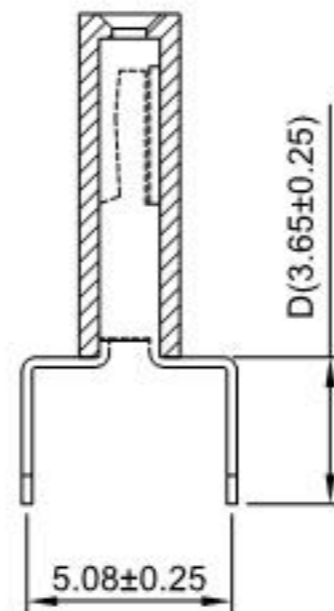
Current Rating: 3A AC,DC  
 Voltage Rating: 250V AC,DC  
 Temperature Range: -25°C ~ +85°C  
 Contact Resistance: 20mΩ Max  
 Insulation Resistance: 1000MΩ Min  
 Withstanding Voltage: 1500V AC/minute  
 Pin Material: Brass/Gold over Nickel  
 Material: PBT,UL94V-0(Black)

**Ordering Information & Dimensions**

Circuits	Dim(mm)		Circuits	Dim(mm)		Circuits	Dim(mm)	
	A	B		A	B		A	B
2P	2.54	5.58	15P	35.56	38.60	28P	68.58	71.62
3P	5.08	8.12	16P	38.10	41.14	29P	71.12	74.16
4P	7.62	10.66	17P	40.64	43.68	30P	73.66	76.70
5P	10.16	13.20	18P	43.18	46.22	31P	76.20	79.24
6P	12.70	15.74	19P	45.72	48.76	32P	78.74	81.78
7P	15.24	18.28	20P	48.26	51.30	33P	81.28	84.32
8P	17.78	20.82	21P	50.80	53.84	34P	83.82	86.86
9P	20.32	23.36	22P	53.34	56.38	35P	86.36	89.40
10P	22.86	25.90	23P	55.88	58.92	36P	88.90	91.94
11P	25.40	28.44	24P	58.42	61.46	37P	91.44	94.48
12P	27.94	30.98	25P	60.96	64.00	38P	93.98	97.02
13P	30.48	33.52	26P	63.50	66.54	39P	96.52	99.56
14P	33.02	36.06	27P	66.04	69.08	40P	99.06	102.10



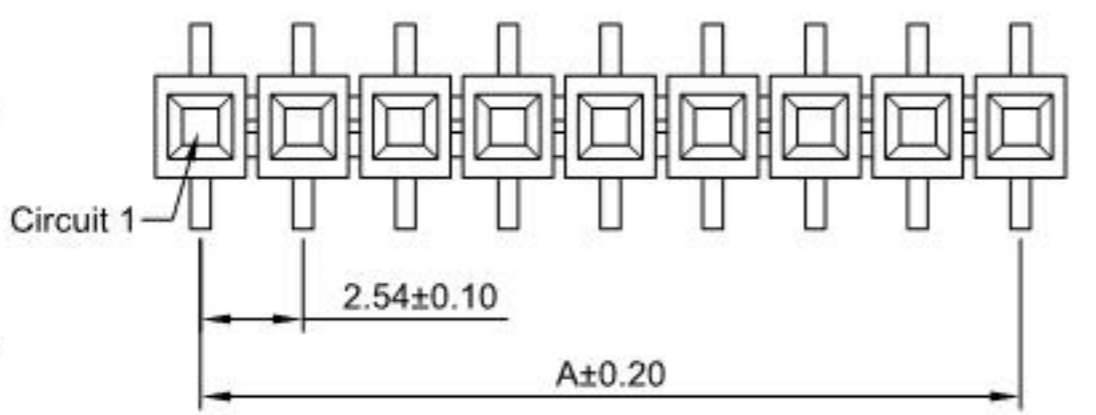
**P.C.B LAYOUT**



**HDGC** 深圳市华德共创科技有限公司  
 Shenzhen Huade co-create Technology Co., LTD  
 TEL: 0755-27129737 FAX: 0755-29940187

-TOLERANCES- UNLESS OTHERWISE SPECIFIED 公差参数表				TITLE: 2.54mm Pitch 产品名称: 180° Box Header	
X.X	±0.30	X.X°	±3°	APPD: 核准:	XIE
X.XX	±0.30	X.XX°	±2°	CHECK: 校对:	WANG
X.XXX	±0.10	X.XXX°	±1°	DRAW: 绘图:	WANG
PART NO: 产品编号:			DATE	SCALE	UNIT
HDGC2541HWV-XP-B-U			2014-07-10	4:1	mm
CODE NUMBER			A008		

修订 REV	标记 MARK	修改摘要 REVISION DESCRIPTION	签名 SIGNATURE	日期 DATE
A0		NEW RELEASE	WANG	2014-07-10



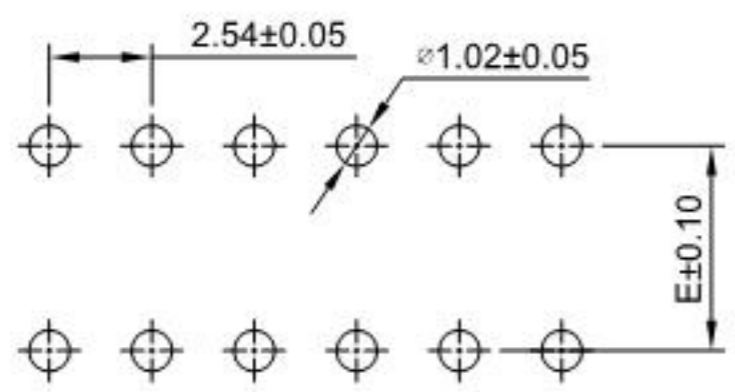
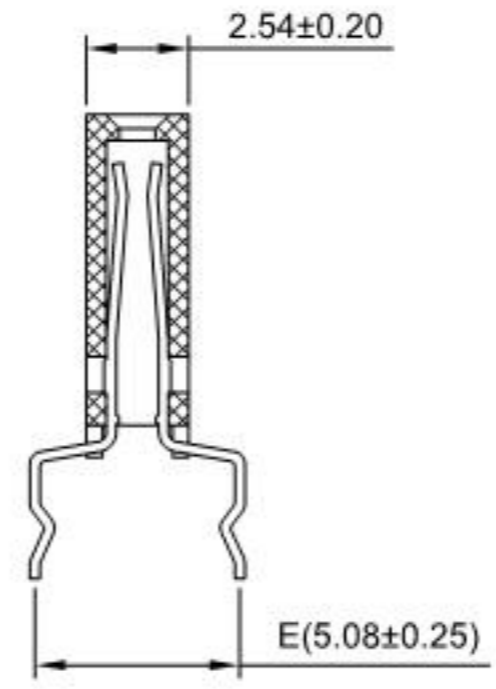
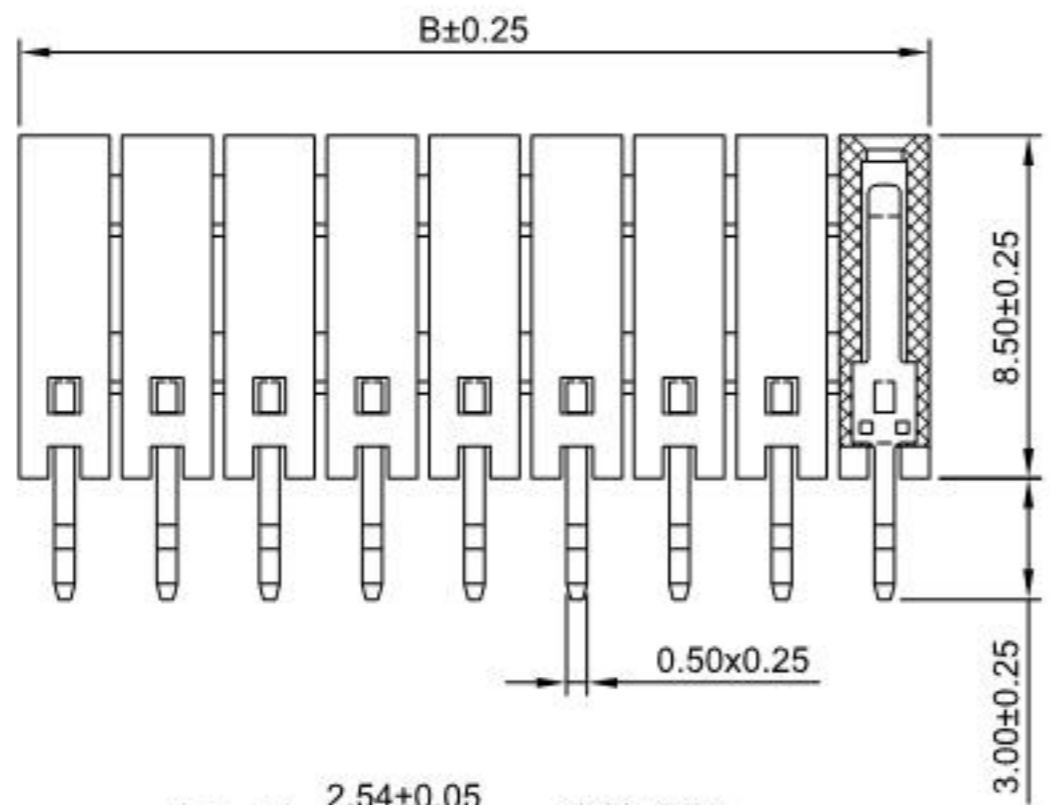
**Ordering Information:**  
 HDGC2541HWV-XP-C-U -  $\frac{***}{1} - \frac{*}{2} - \frac{***}{3} - \frac{***}{4}$

1.Part No.  
 2.Size(E):  
 (blank): 5.08mm  
 E40: 3.96mm  
 3.Finish:  
 (blank): Gold over Nickel  
 T: Tin over Nickel  
 4.Material:  
 (blank): Nylon 66,UL94V-0  
 GWT: Nylon 66,UL94V-0,GWT 750°C

**SPECIFICATIONS:**  
 Current Rating: 3A AC,DC  
 Voltage Rating: 250V AC,DC  
 Temperature Range: -25°C ~ +85°C  
 Contact Resistance: 20mΩ Max  
 Insulation Resistance: 1000MΩ Min  
 Withstanding Voltage: 1500V AC/minute  
 Pin Material:Brass/Gold over Nickel  
 Material:Nylon 66,UL94V-0(Black)

**Ordering Information & Dimensions**

Circuits	Dim(mm)		Circuits	Dim(mm)		Circuits	Dim(mm)	
	A	B		A	B		A	B
2P	2.54	4.78	15P	35.56	37.80	28P	68.58	70.82
3P	5.08	7.32	16P	38.10	40.34	29P	71.12	73.36
4P	7.62	9.86	17P	40.64	42.88	30P	73.66	75.90
5P	10.16	12.40	18P	43.18	45.42	31P	76.20	78.44
6P	12.70	14.94	19P	45.72	47.96	32P	78.74	80.98
7P	15.24	17.48	20P	48.26	50.50	33P	81.28	83.52
8P	17.78	20.02	21P	50.80	53.04	34P	83.82	86.06
9P	20.32	22.56	22P	53.34	55.58	35P	86.36	88.60
10P	22.86	25.10	23P	55.88	58.12	36P	88.90	91.14
11P	25.40	27.64	24P	58.42	60.66	37P	91.44	93.68
12P	27.94	30.18	25P	60.96	63.20	38P	93.98	96.22
13P	30.48	32.72	26P	63.50	65.74	39P	96.52	98.76
14P	33.02	35.26	27P	66.04	68.28	40P	99.06	101.30



**P.C.B LAYOUT**

**深圳市华德共创科技有限公司**  
 Shenzhen Huade co-create Technology Co., LTD  
 TEL: 0755-27129737 FAX: 0755-29940187

-TOLERANCES- UNLESS OTHERWISE SPECIFIED 公差参数表		TITLE: 2.54mm Pitch 产品名称: 180° Box Header	
X.X	±0.30	X.X°	±3°
X.XX	±0.30	X.XX°	±2°
X.XXX	±0.10	X.XXX°	±1°
APPD: 核准:	XIE	PART NO: 产品编号:	HDGC2541HWV-XP-C-U
CHECK: 校对:	WANG	DATE	SCALE
DRAW: 绘图:	WANG	2014-07-10	4:1
		UNIT	CODE NUMBER
		mm	A008

修订 REV	标记 MARK	修改摘要 REVISION DESCRIPTION	签名 SIGNATURE	日期 DATE
A0		NEW RELEASE	WANG	2014-07-10

**Ordering Information:**

HDGC2541HWVA-XP-U -  $\frac{***}{1}$  -  $\frac{***}{2}$  -  $\frac{***}{3}$  -  $\frac{***}{4}$  -  $\frac{***}{5}$

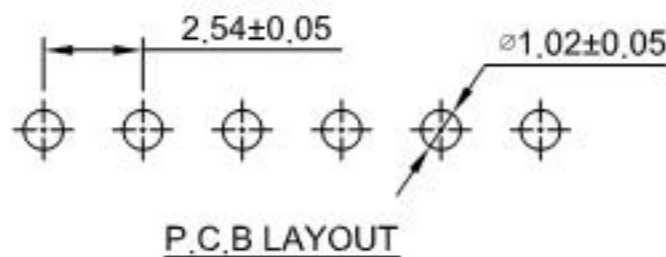
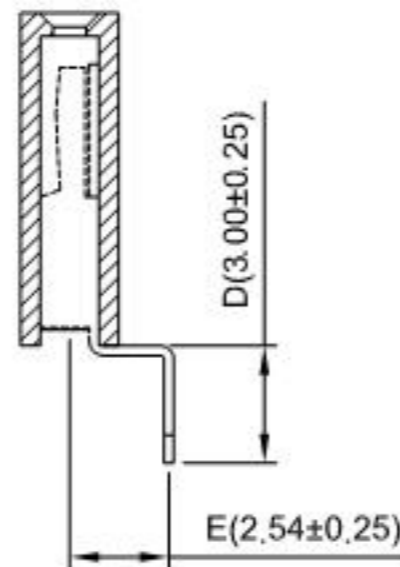
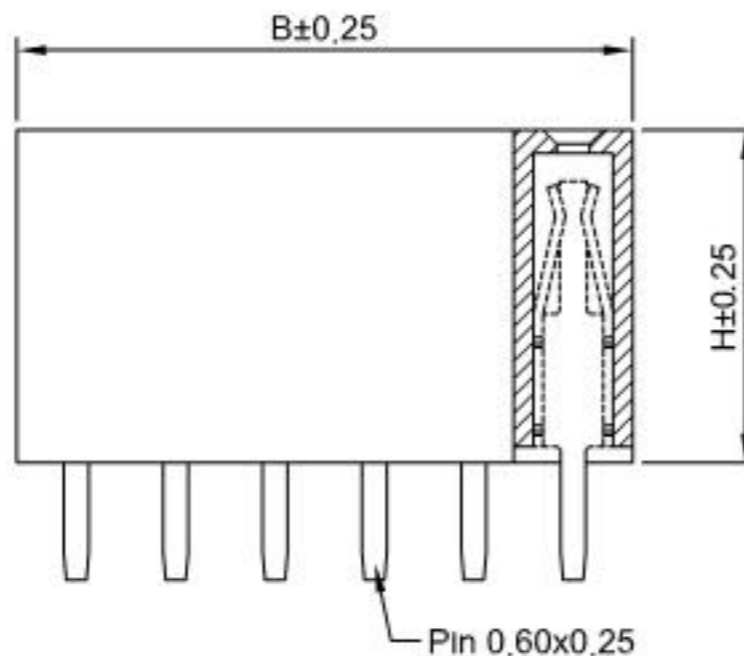
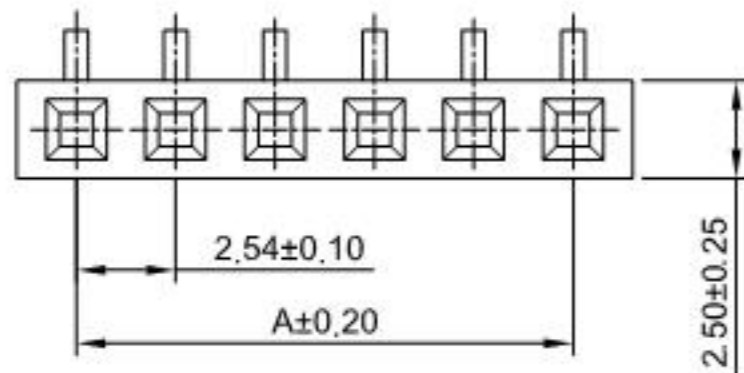
- Part No.
- Size(H):  
 (blank): 8.50mm  
 H71: 7.10mm  
 H50: 5.00mm  
 H35: 3.50mm(Pin 0.50x0.20,B:B-0.50mm, D:2.60mm)
- Size(E):  
 (blank): 2.54mm  
 E13: 1.27mm(H35)
- Finish:  
 (blank): Gold over Nickel  
 T: Tin over Nickel
- Material:  
 (blank): Nylon 6T,UL94V-0  
 GWT: Nylon 6T,UL94V-0,GWT 750°C

**SPECIFICATIONS:**

Current Rating: 3A AC,DC  
 Voltage Rating: 250V AC,DC  
 Temperature Range: -25°C ~ +85°C  
 Contact Resistance: 20mΩ Max  
 Insulation Resistance: 1000MΩ Min  
 Withstanding Voltage: 1500V AC/minute  
 Pin Material: Brass/Gold over Nickel  
 Material: Nylon 6T,UL94V-0(Black)

**Ordering Information & Dimensions**

Circuits	Dim(mm)		Circuits	Dim(mm)		Circuits	Dim(mm)	
	A	B		A	B		A	B
2P	2.54	5.58	15P	35.56	38.60	28P	68.58	71.62
3P	5.08	8.12	16P	38.10	41.14	29P	71.12	74.16
4P	7.62	10.66	17P	40.64	43.68	30P	73.66	76.70
5P	10.16	13.20	18P	43.18	46.22	31P	76.20	79.24
6P	12.70	15.74	19P	45.72	48.76	32P	78.74	81.78
7P	15.24	18.28	20P	48.26	51.30	33P	81.28	84.32
8P	17.78	20.82	21P	50.80	53.84	34P	83.82	86.86
9P	20.32	23.36	22P	53.34	56.38	35P	86.36	89.40
10P	22.86	25.90	23P	55.88	58.92	36P	88.90	91.94
11P	25.40	28.44	24P	58.42	61.46	37P	91.44	94.48
12P	27.94	30.98	25P	60.96	64.00	38P	93.98	97.02
13P	30.48	33.52	26P	63.50	66.54	39P	96.52	99.56
14P	33.02	36.06	27P	66.04	69.08	40P	99.06	102.10



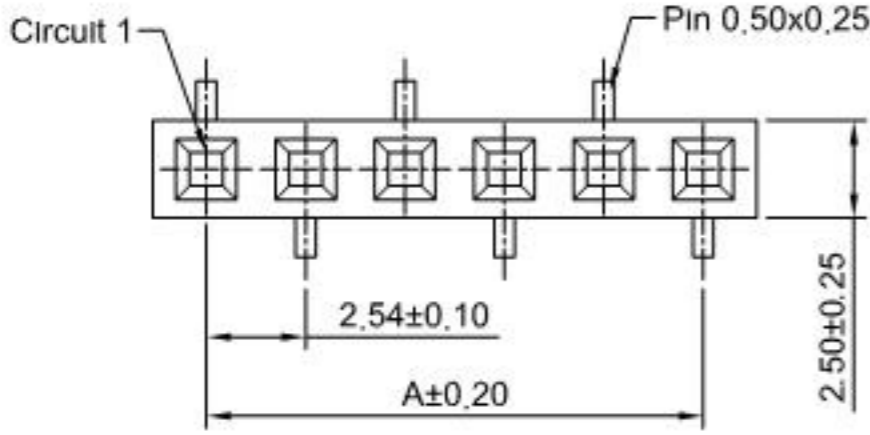
深圳市华德共创科技有限公司

Shenzhen Huade co-create Technology Co., LTD

TEL: 0755-27129737 FAX: 0755-29940187

-TOLERANCES- UNLESS OTHERWISE SPECIFIED 公差参数表						TITLE: 2.54mm Pitch 产品名称: 180° Box Header			
X.X	±0.30	X.X°	±3°	APPD: 核准:	XIE	PART NO: 产品编号: HDGC2541HWVA-XP-U			
X.XX	±0.30	X.XX°	±2°	CHECK: 校对:	WANG	DATE	SCALE	UNIT	CODE NUMBER
X.XXX	±0.10	X.XXX°	±1°	DRAW: 绘图:	WANG	2014-07-10	4:1	mm	A008

修订 REV	标记 MARK	修改摘要 REVISION DESCRIPTION	签名 SIGNATURE	日期 DATE
A0		NEW RELEASE	WANG	2014-07-10



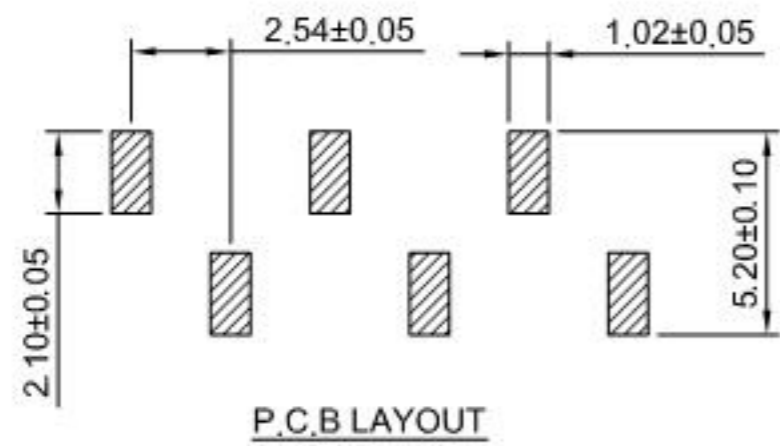
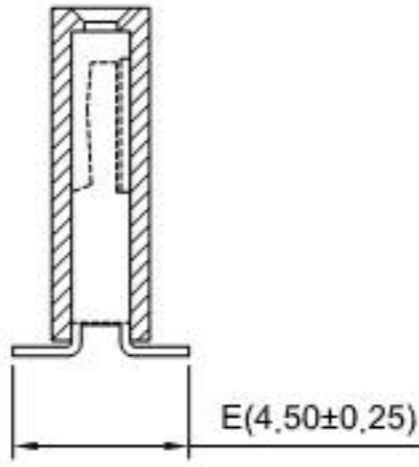
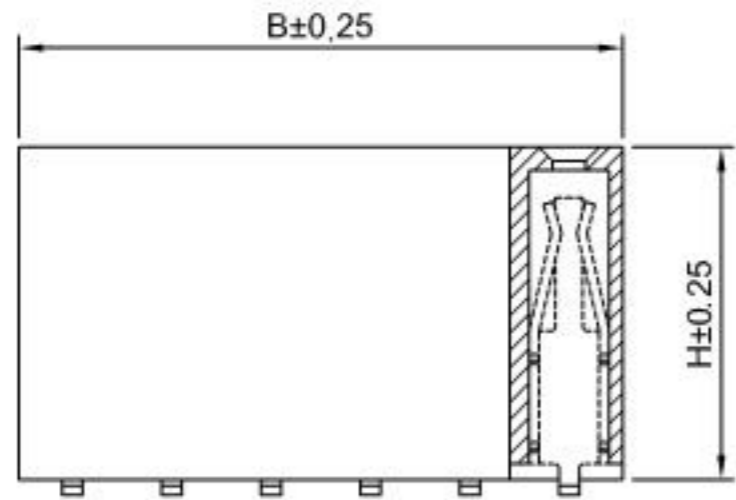
Ordering Information:  
 HDGC2541HWV-S-XP-A-U -  $\frac{***}{1} - \frac{**}{2} - \frac{*}{3} - \frac{***}{4}$

- Part No.
- Size(H):  
 (blank): 8.50mm  
 H71: 7.10mm  
 H50: 5.00mm(Pin 0.50x0.20,E:4.80mm)  
 H35: 3.50mm(Pin 0.50x0.20,B:0.50mm)
- Finish:  
 (blank): Gold over Nickel  
 T: Tin over Nickel
- Material:  
 (blank): Nylon 6T,UL94V-0  
 GWT: Nylon 6T,UL94V-0,GWT 750°C

**SPECIFICATIONS:**  
 Current Rating: 3A AC,DC  
 Voltage Rating: 250V AC,DC  
 Temperature Range: -25°C ~ +85°C  
 Contact Resistance: 20mΩ Max  
 Insulation Resistance: 1000MΩ Min  
 Withstanding Voltage: 1500V AC/minute  
 Pin Material: Brass/Gold over Nickel  
 Material: Nylon 6T,UL94V-0(Black)

Ordering Information & Dimensions

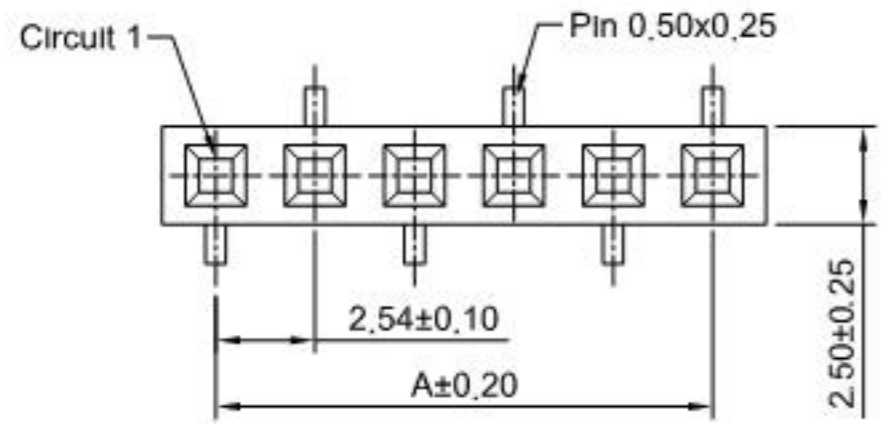
Circuits	Dim(mm)		Circuits	Dim(mm)		Circuits	Dim(mm)	
	A	B		A	B		A	B
2P	2.54	5.58	15P	35.56	38.60	28P	68.58	71.62
3P	5.08	8.12	16P	38.10	41.14	29P	71.12	74.16
4P	7.62	10.66	17P	40.64	43.68	30P	73.66	76.70
5P	10.16	13.20	18P	43.18	46.22	31P	76.20	79.24
6P	12.70	15.74	19P	45.72	48.76	32P	78.74	81.78
7P	15.24	18.28	20P	48.26	51.30	33P	81.28	84.32
8P	17.78	20.82	21P	50.80	53.84	34P	83.82	86.86
9P	20.32	23.36	22P	53.34	56.38	35P	86.36	89.40
10P	22.86	25.90	23P	55.88	58.92	36P	88.90	91.94
11P	25.40	28.44	24P	58.42	61.46	37P	91.44	94.48
12P	27.94	30.98	25P	60.96	64.00	38P	93.98	97.02
13P	30.48	33.52	26P	63.50	66.54	39P	96.52	99.56
14P	33.02	36.06	27P	66.04	69.08	40P	99.06	102.10



**深圳市华德共创科技有限公司**  
 Shenzhen Huade co-create Technology Co., LTD  
 TEL: 0755-27129737 FAX: 0755-29940187

-TOLERANCES- UNLESS OTHERWISE SPECIFIED 公差参数表				TITLE: 2.54mm Pitch 产品名称: 180° Box Header	
X.X	±0.30	X.X°	±3°	APPD: 核准:	XIE
X.XX	±0.30	X.XX°	±2°	CHECK: 校对:	WANG
X.XXX	±0.10	X.XXX°	±1°	DRAW: 绘图:	WANG
		PART NO: 产品编号:		DATE	SCALE
		HDGC2541HWV-S-XP-A-U		2014-07-10	4:1
		UNIT		mm	CODE NUMBER
					A008

修订 REV	标记 MARK	修改摘要 REVISION DESCRIPTION	签名 SIGNATURE	日期 DATE
A0		NEW RELEASE	WANG	2014-07-10



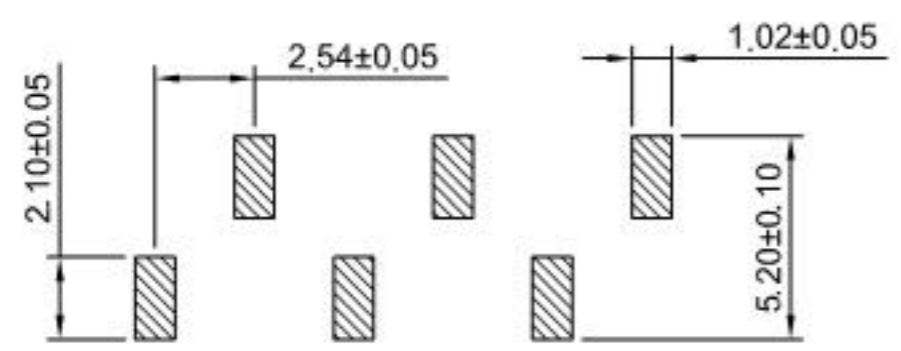
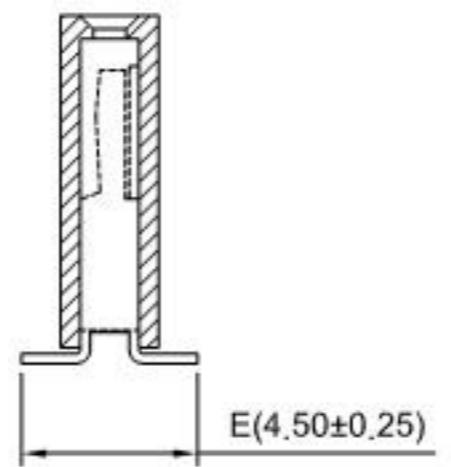
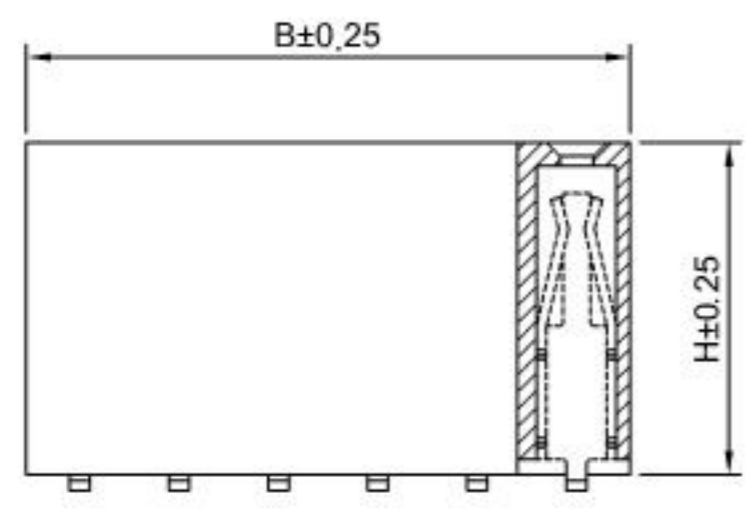
Ordering Information:  
 HDGC2541HWV-S-XP-B-U - <sup>\*\*\*</sup>/<sub>2</sub> - <sup>\*</sup>/<sub>3</sub> - <sup>\*\*\*</sup>/<sub>4</sub>

- Part No.
- Size(H):  
 (blank): 8.50mm  
 H71: 7.10mm  
 H50: 5.00mm(Pin 0.50x0.20,E:4.80mm)  
 H35: 3.50mm(Pin 0.50x0.20,B:B-0.50mm)
- Finish:  
 (blank): Gold over Nickel  
 T: Tin over Nickel
- Material:  
 (blank): Nylon 6T,UL94V-0  
 GWT: Nylon 6T,UL94V-0,GWT 750°C

**SPECIFICATIONS:**  
 Current Rating: 3A AC,DC  
 Voltage Rating: 250V AC,DC  
 Temperature Range: -25°C ~ +85°C  
 Contact Resistance: 20mΩ Max  
 Insulation Resistance: 1000MΩ Min  
 Withstanding Voltage: 1500V AC/minute  
 Pin Material: Brass/Gold over Nickel  
 Material: Nylon 6T,UL94V-0(Black)

Ordering Information & Dimensions

Circuits	Dim(mm)		Circuits	Dim(mm)		Circuits	Dim(mm)	
	A	B		A	B		A	B
2P	2.54	5.58	15P	35.56	38.60	28P	68.58	71.62
3P	5.08	8.12	16P	38.10	41.14	29P	71.12	74.16
4P	7.62	10.66	17P	40.64	43.68	30P	73.66	76.70
5P	10.16	13.20	18P	43.18	46.22	31P	76.20	79.24
6P	12.70	15.74	19P	45.72	48.76	32P	78.74	81.78
7P	15.24	18.28	20P	48.26	51.30	33P	81.28	84.32
8P	17.78	20.82	21P	50.80	53.84	34P	83.82	86.86
9P	20.32	23.36	22P	53.34	56.38	35P	86.36	89.40
10P	22.86	25.90	23P	55.88	58.92	36P	88.90	91.94
11P	25.40	28.44	24P	58.42	61.46	37P	91.44	94.48
12P	27.94	30.98	25P	60.96	64.00	38P	93.98	97.02
13P	30.48	33.52	26P	63.50	66.54	39P	96.52	99.56
14P	33.02	36.06	27P	66.04	69.08	40P	99.06	102.10



P.C.B LAYOUT

**深圳市华德共创科技有限公司**  
 Shenzhen Huade co-create Technology Co., LTD  
 TEL: 0755-27129737 FAX: 0755-29940187

-TOLERANCES- UNLESS OTHERWISE SPECIFIED 公差参数表						TITLE: 2.54mm Pitch 产品名称: 180° Box Header			
X.X	±0.30	X.X°	±3°	APPD: 核准:	XIE	PART NO: HDGC2541HWV-S-XP-B-U 产品编号:			
X.XX	±0.30	X.XX°	±2°	CHECK: 校对:	WANG	DATE	SCALE	UNIT	CODE NUMBER
X.XXX	±0.10	X.XXX°	±1°	DRAW: 绘图:	WANG	2014-07-10	4:1	mm	A008

修订 REV	标记 MARK	修改摘要 REVISION DESCRIPTION	签名 SIGNATURE	日期 DATE
A0		NEW RELEASE	WANG	2014-07-10

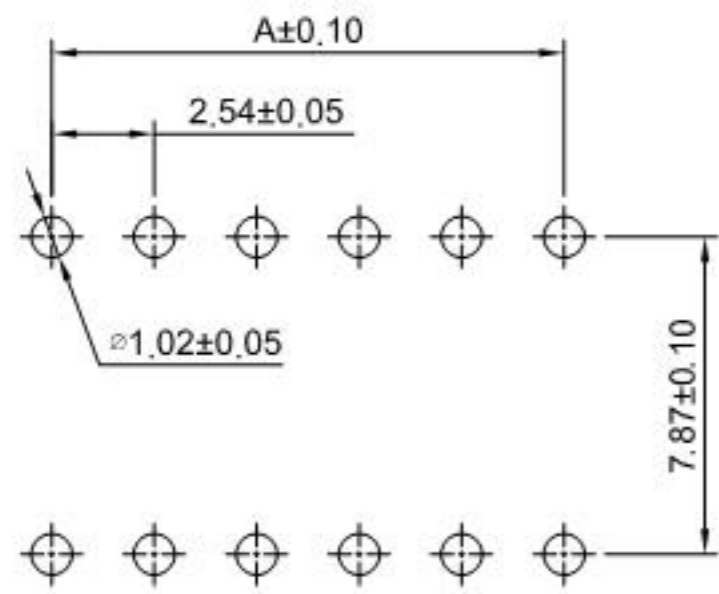
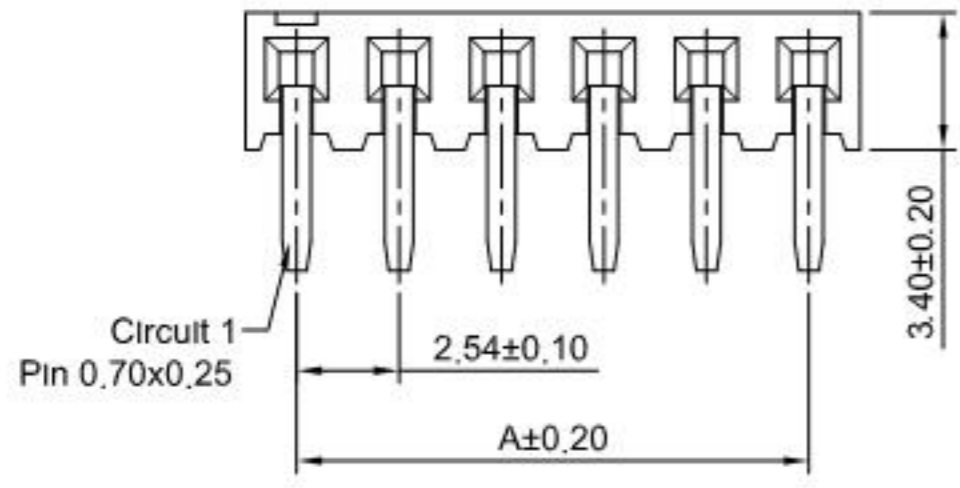
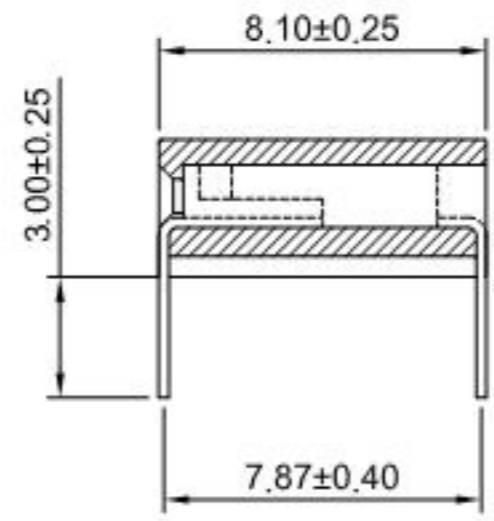
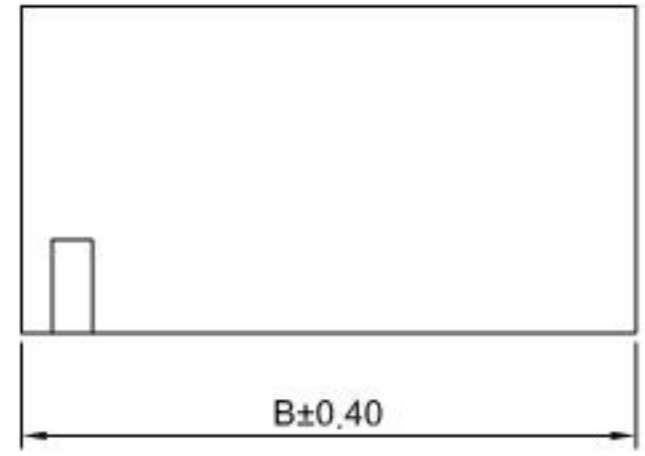
Ordering Information:  
 HDGC2541HWRA-XP -  $\frac{??}{2}$  -  $\frac{???}{3}$

1. Part No.
2. Material:  
 (blank): Nylon 6T, UL94V-0  
 GWT: Nylon 6T, UL94V-0, GWT 750°C
3. Finish:  
 (blank): Gold over Nickel  
 T: Tin over Nickel

**SPECIFICATIONS:**  
 Current Rating: 3A AC, DC  
 Voltage Rating: 250V AC, DC  
 Temperature Range: -25°C ~ +85°C  
 Contact Resistance: 20mΩ Max  
 Insulation Resistance: 1000MΩ Min  
 Withstanding Voltage: 1500V AC/minute  
 Pin Material: Brass/Gold over Nickel  
 Material: Nylon 6T, UL94V-0 (Black)

Ordering Information & Dimensions

Circuits	Dimensions (mm)		Circuits	Dimensions (mm)		Circuits	Dimensions (mm)	
	A	B		A	B		A	B
2P	2.54	5.08	15P	35.56	38.10	28P	68.58	71.12
3P	5.08	7.62	16P	38.10	40.64	29P	71.12	73.66
4P	7.62	10.16	17P	40.64	43.18	30P	73.66	76.20
5P	10.16	12.70	18P	43.18	45.72	31P	76.20	78.74
6P	12.70	15.24	19P	45.72	48.26	32P	78.74	81.28
7P	15.24	17.78	20P	48.26	50.80	33P	81.28	83.82
8P	17.78	20.32	21P	50.80	53.34	34P	83.82	86.36
9P	20.32	22.86	22P	53.34	55.88	35P	86.36	88.90
10P	22.86	25.40	23P	55.88	58.42	36P	88.90	91.44
11P	25.40	27.94	24P	58.42	60.96	37P	91.44	93.98
12P	27.94	30.48	25P	60.96	63.50	38P	93.98	96.52
13P	30.48	33.02	26P	63.50	66.04	39P	96.52	99.06
14P	33.02	35.56	27P	66.04	68.58	40P	99.06	101.60

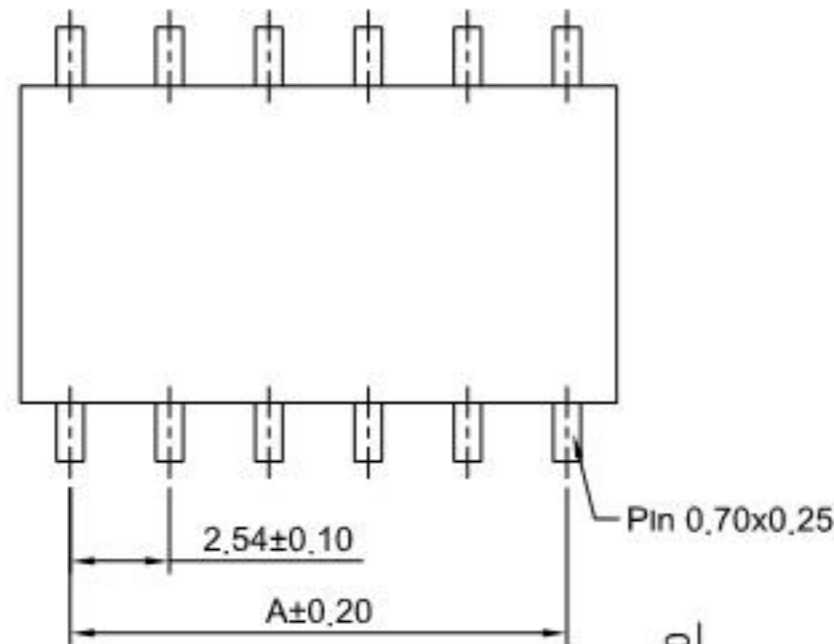


P.C.B LAYOUT

**HDGC** 深圳市华德共创科技有限公司  
 Shenzhen Huade co-create Technology Co., LTD  
 TEL: 0755-27129737 FAX: 0755-29940187

-TOLERANCES- UNLESS OTHERWISE SPECIFIED 公差参数表				TITLE: 2.54mm Pitch 产品名称: 90° Box Header							
X.X	±0.30	X.X°	±3°	APPD: 核准:	XIE			PART NO: 产品编号:	HDGC2541HWRA-XP		
X.XX	±0.30	X.XX°	±2°	CHECK: 校对:	WANG			DATE	SCALE	UNIT	CODE NUMBER
X.XXX	±0.10	X.XXX°	±1°	DRAW: 绘图:	WANG			2014-07-10	4:1	mm	A008

修订 REV	标记 MARK	修改摘要 REVISION DESCRIPTION	签名 SIGNATURE	日期 DATE
A0		NEW RELEASE	WANG	2014-07-10



Ordering Information:  
 HDGC2541HWRA-S-XP -  $\frac{r}{2}$  -  $\frac{r}{3}$

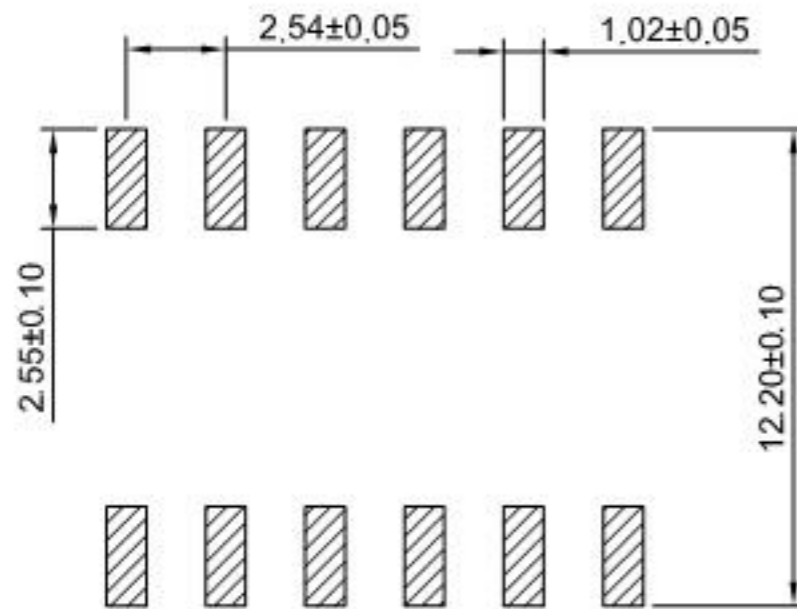
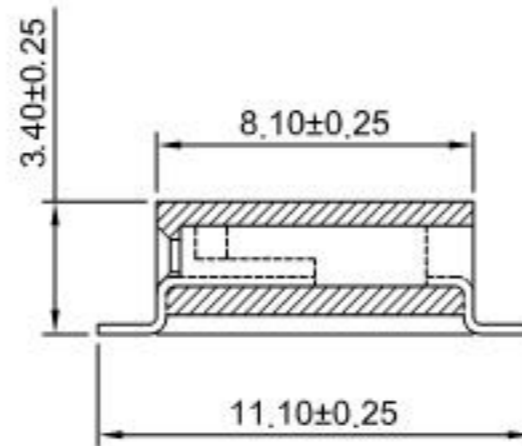
- Part No.
- Finish:  
 (blank): Gold over Nickel  
 T: Tin over Nickel
- Material:  
 (blank): Nylon 6T,UL94V-0  
 GWT: Nylon 6T,UL94V-0,GWT 750°C

**SPECIFICATIONS:**

Current Rating: 3A AC,DC  
 Voltage Rating: 250V AC,DC  
 Temperature Range: -25°C ~ +85°C  
 Contact Resistance: 20mΩ Max  
 Insulation Resistance: 1000MΩ Min  
 Withstanding Voltage: 1500V AC/minute  
 Pin Material: Brass/Gold over Nickel  
 Material: Nylon 6T,UL94V-0(Black)

Ordering Information & Dimensions

Circuits	Dim(mm)		Circuits	Dim(mm)		Circuits	Dim(mm)	
	A	B		A	B		A	B
2P	2.54	5.08	15P	35.56	38.10	28P	68.58	71.12
3P	5.08	7.62	16P	38.10	40.64	29P	71.12	73.66
4P	7.62	10.16	17P	40.64	43.18	30P	73.66	76.20
5P	10.16	12.70	18P	43.18	45.72	31P	76.20	78.74
6P	12.70	15.24	19P	45.72	48.26	32P	78.74	81.28
7P	15.24	17.78	20P	48.26	50.80	33P	81.28	83.82
8P	17.78	20.32	21P	50.80	53.34	34P	83.82	86.36
9P	20.32	22.86	22P	53.34	55.88	35P	86.36	88.90
10P	22.86	25.40	23P	55.88	58.42	36P	88.90	91.44
11P	25.40	27.94	24P	58.42	60.96	37P	91.44	93.98
12P	27.94	30.48	25P	60.96	63.50	38P	93.98	96.52
13P	30.48	33.02	26P	63.50	66.04	39P	96.52	99.06
14P	33.02	35.56	27P	66.04	68.58	40P	99.06	101.60



P.C.B LAYOUT

**HDGC** 深圳市华德共创科技有限公司  
 Shenzhen Huade co-create Technology Co., LTD  
 TEL: 0755-27129737 FAX: 0755-29940187

-TOLERANCES- UNLESS OTHERWISE SPECIFIED 公差参数表				TITLE: 2.54mm Pitch 产品名称: 90° Box Header	
X.X	±0.30	X.X°	±3°	APPD: 核准:	XIE
X.XX	±0.30	X.XX°	±2°	CHECK: 校对:	WANG
X.XXX	±0.10	X.XXX°	±1°	DRAW: 绘图:	WANG
PART NO: 产品编号:			HDGC2541HWRA-S-XP	DATE	2014-07-10
SCALE			4:1	UNIT	mm
CODE NUMBER			A008		

修订 REV	标记 MARK	修改摘要 REVISION DESCRIPTION	签名 SIGNATURE	日期 DATE
A0		NEW RELEASE	WANG	2014-07-10

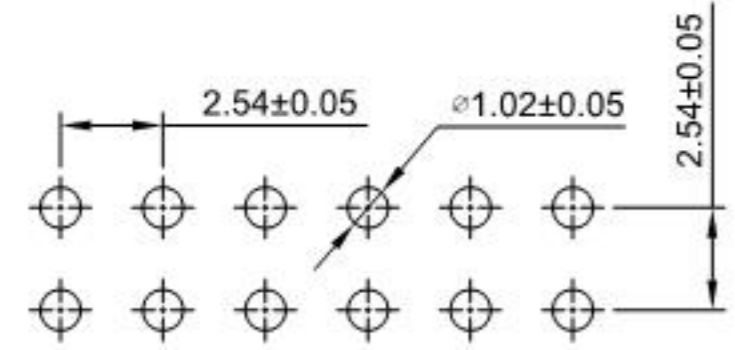
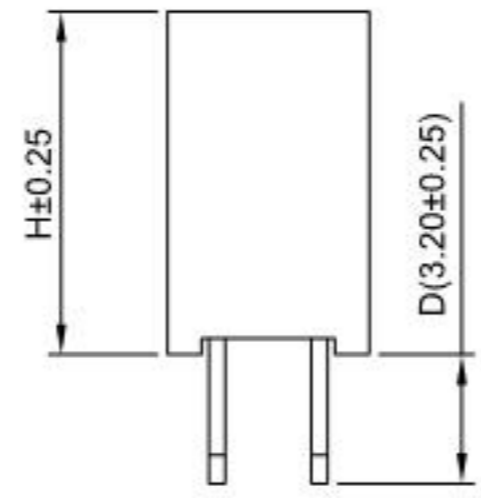
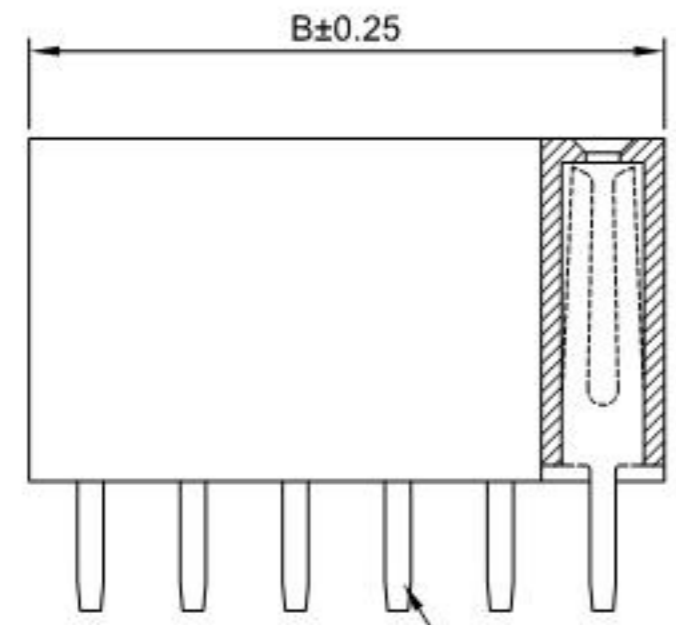
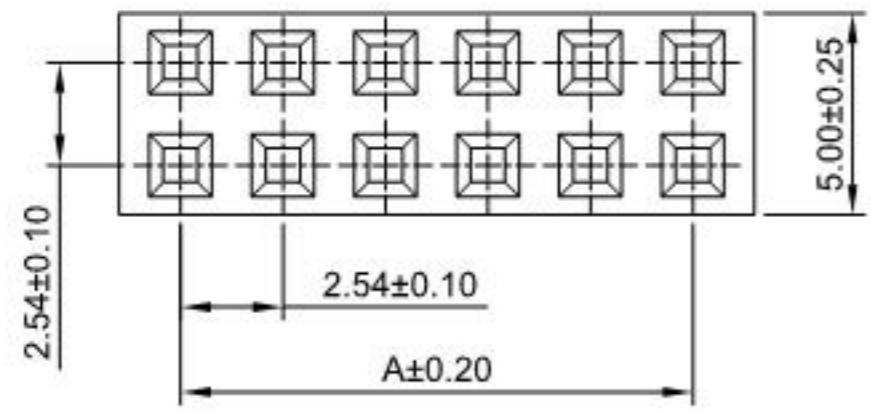
Ordering Information:  
 HDGC2541HWV-2xXP -  $\frac{****}{1}$  -  $\frac{***}{2}$  -  $\frac{*}{3}$  -  $\frac{***}{4}$  -  $\frac{***}{5}$

- Part No.
- Size(H):  
 (blank): 8.50mm  
 H71: 7.10mm  
 H57: 5.70mm  
 H50: 5.00mm  
 H35: 3.50mm(B:B-0.50mm)  
 H110: 11.00mm
- Size(D):  
 (blank): 3.20mm(H85,H71,H57,H50,H110)  
 D26: 2.60mm(H35)  
 D21: 2.10mm(H50)
- Finish:  
 (blank): Gold over Nickel  
 T: Tin over Nickel
- Material:  
 (blank): PBT,UL94V-0  
 6T: Nylon 6T,UL94V-0  
 GWT: Nylon 6T,UL94V-0,GWT 750°C

**SPECIFICATIONS:**  
 Current Rating: 3A AC,DC  
 Voltage Rating: 250V AC,DC  
 Temperature Range: -25°C ~ +85°C  
 Contact Resistance: 20mΩ Max  
 Insulation Resistance: 1000MΩ Min  
 Withstanding Voltage: 1500V AC/minute  
 Pin Material: Brass/Gold over Nickel  
 Material: PBT,UL94V-0(Black)

Ordering Information & Dimensions

Circuits	Dim(mm)		Circuits	Dim(mm)		Circuits	Dim(mm)	
	A	B		A	B		A	B
2x2P	2.54	5.58	2x15P	35.56	38.60	2x28P	68.58	71.62
2x3P	5.08	8.12	2x16P	38.10	41.14	2x29P	71.12	74.16
2x4P	7.62	10.66	2x17P	40.64	43.68	2x30P	73.66	76.70
2x5P	10.16	13.20	2x18P	43.18	46.22	2x31P	76.20	79.24
2x6P	12.70	15.74	2x19P	45.72	48.76	2x32P	78.74	81.78
2x7P	15.24	18.28	2x20P	48.26	51.30	2x33P	81.28	84.32
2x8P	17.78	20.82	2x21P	50.80	53.84	2x34P	83.82	86.86
2x9P	20.32	23.36	2x22P	53.34	56.38	2x35P	86.36	89.40
2x10P	22.86	25.90	2x23P	55.88	58.92	2x36P	88.90	91.94
2x11P	25.40	28.44	2x24P	58.42	61.46	2x37P	91.44	94.48
2x12P	27.94	30.98	2x25P	60.96	64.00	2x38P	93.98	97.02
2x13P	30.48	33.52	2x26P	63.50	66.54	2x39P	96.52	99.56
2x14P	33.02	36.06	2x27P	66.04	69.08	2x40P	99.06	102.10

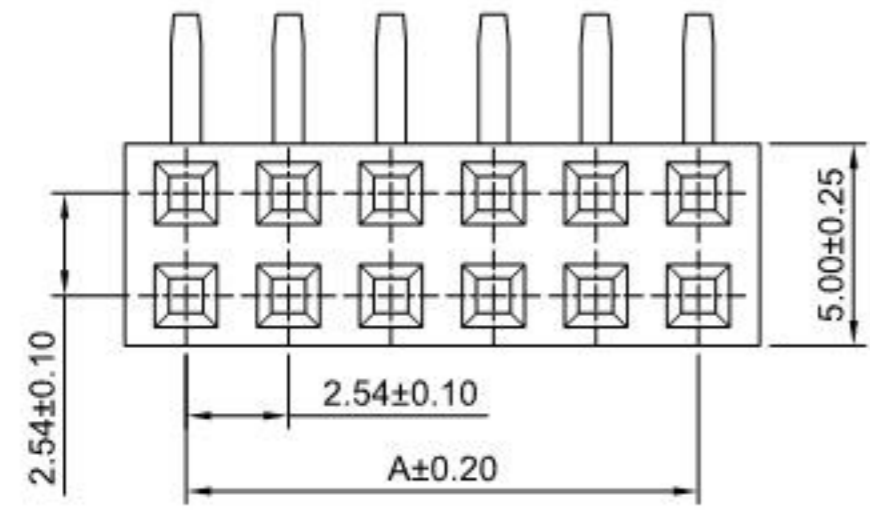


P.C.B LAYOUT

**HDGC** 深圳市华德共创科技有限公司  
 Shenzhen Huade co-create Technology Co., LTD  
 TEL: 0755-27129737 FAX: 0755-29940187

-TOLERANCES- UNLESS OTHERWISE SPECIFIED 公差参数表				TITLE: 2.54mm Pitch 产品名称: 180° Box Header	
X.X	±0.30	X.X°	±3°	APPD: 核准:	XIE
X.XX	±0.30	X.XX°	±2°	CHECK: 校对:	WANG
X.XXX	±0.10	X.XXX°	±1°	DRAW: 绘图:	WANG
PART NO: 产品编号:		DATE		SCALE	UNIT
HDGC2541HWV-2xXP		2014-07-10		4:1	mm
CODE NUMBER		A008			

修订 REV	标记 MARK	修改摘要 REVISION DESCRIPTION	签名 SIGNATURE	日期 DATE
A0		NEW RELEASE	WANG	2014-07-10



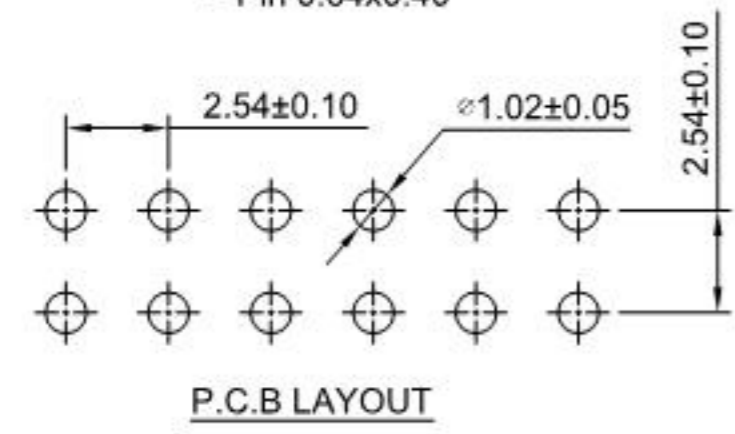
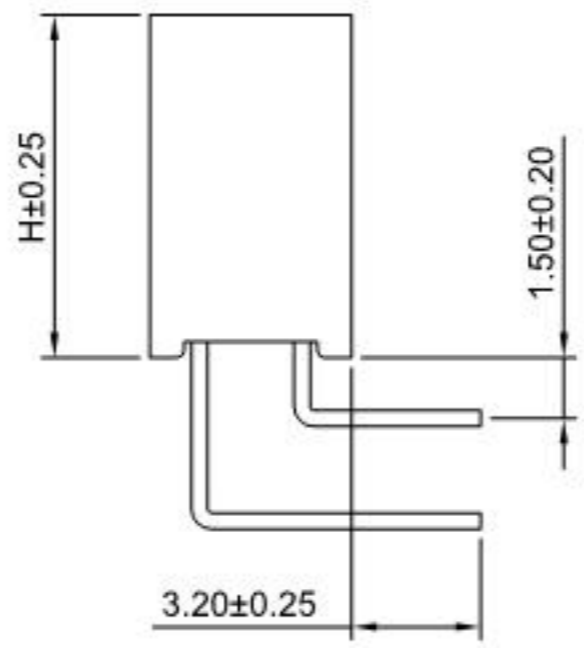
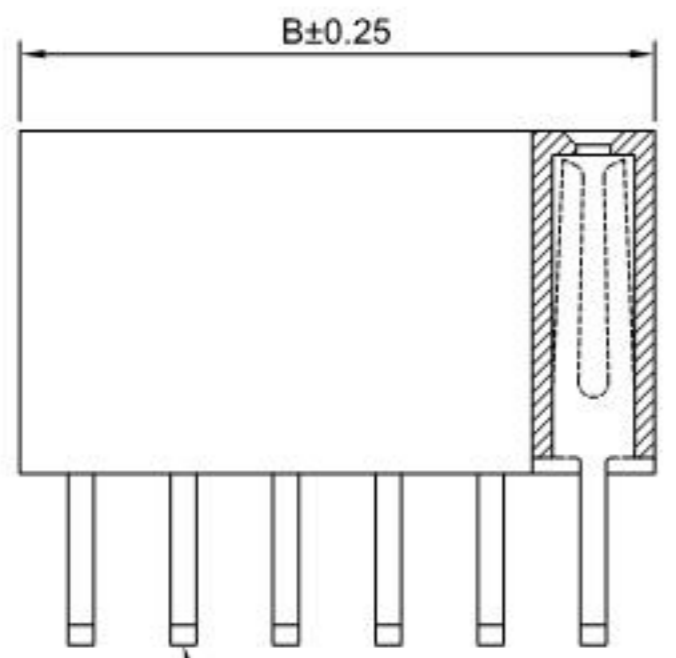
**Ordering Information:**  
 HDGC2541HWR-2xXP -  $\frac{****}{1} - \frac{*}{2} - \frac{**}{3} - \frac{***}{4}$

1.Part No.  
 2.Size(H):  
 (blank):8.50mm  
 H71: 7.10mm  
 H57: 5.70mm  
 H50: 5.00mm  
 H110: 11.00mm  
 3.Finish:  
 (blank): Gold over Nickel  
 T: Tin over Nickel  
 4.Material:  
 (blank): PBT,UL94V-0  
 6T: Nylon 6T,UL94V-0  
 GWT: Nylon 6T,UL94V-0,GWT 750°C

**SPECIFICATIONS:**  
 Current Rating: 3A AC,DC  
 Voltage Rating: 250V AC,DC  
 Temperature Range: -25°C ~ +85°C  
 Contact Resistance: 20mΩ Max  
 Insulation Resistance: 1000MΩ Min  
 Withstanding Voltage: 1500V AC/minute  
 Pin Material:Brass/Gold over Nickel  
 Material:PBT,UL94V-0(Black)

**Ordering Information & Dimensions**

Circuits	Dim(mm)		Circuits	Dim(mm)		Circuits	Dim(mm)	
	A	B		A	B		A	B
2x2P	2.54	5.58	2x15P	35.56	38.60	2x28P	68.58	71.62
2x3P	5.08	8.12	2x16P	38.10	41.14	2x29P	71.12	74.16
2x4P	7.62	10.66	2x17P	40.64	43.68	2x30P	73.66	76.70
2x5P	10.16	13.20	2x18P	43.18	46.22	2x31P	76.20	79.24
2x6P	12.70	15.74	2x19P	45.72	48.76	2x32P	78.74	81.78
2x7P	15.24	18.28	2x20P	48.26	51.30	2x33P	81.28	84.32
2x8P	17.78	20.82	2x21P	50.80	53.84	2x34P	83.82	86.86
2x9P	20.32	23.36	2x22P	53.34	56.38	2x35P	86.36	89.40
2x10P	22.86	25.90	2x23P	55.88	58.92	2x36P	88.90	91.94
2x11P	25.40	28.44	2x24P	58.42	61.46	2x37P	91.44	94.48
2x12P	27.94	30.98	2x25P	60.96	64.00	2x38P	93.98	97.02
2x13P	30.48	33.52	2x26P	63.50	66.54	2x39P	96.52	99.56
2x14P	33.02	36.06	2x27P	66.04	69.08	2x40P	99.06	102.10



**深圳市华德共创科技有限公司**  
 Shenzhen Huade co-create Technology Co., LTD  
 TEL: 0755-27129737 FAX: 0755-29940187

-TOLERANCES- UNLESS OTHERWISE SPECIFIED 公差参数表		TITLE: 2.54mm Pitch 产品名称: 90° Box Header	
X.X	±0.30	X.X°	±3°
X.XX	±0.30	X.XX°	±2°
X.XXX	±0.10	X.XXX°	±1°

APPD: 核准:	XIE	PART NO: 产品编号:	HDGC2541HWR-2xXP		
CHECK: 校对:	WANG	DATE	SCALE	UNIT	CODE NUMBER
DRAW: 绘图:	WANG	2014-07-10	4:1	mm	A008

修订 REV	标记 MARK	修改摘要 REVISION DESCRIPTION	签名 SIGNATURE	日期 DATE
A0		NEW RELEASE	WANG	2014-07-10

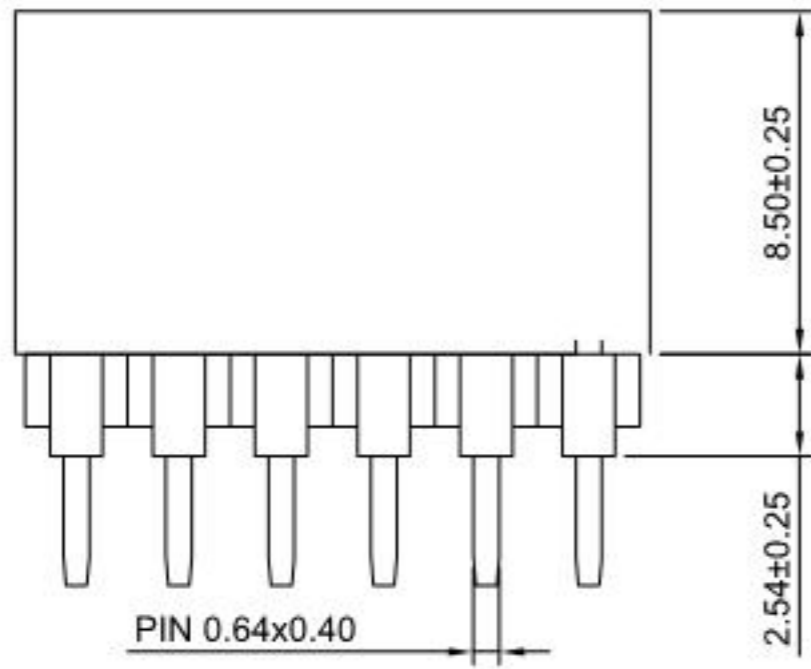
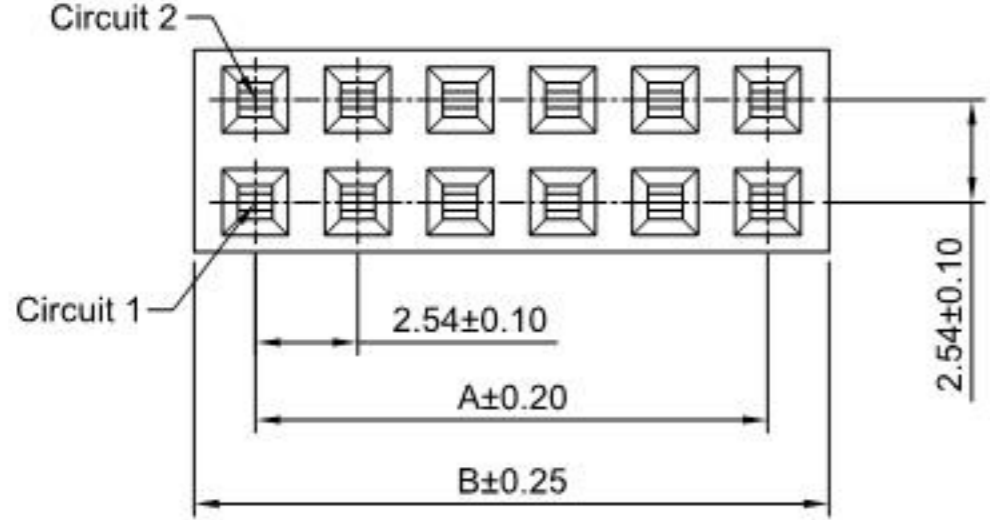
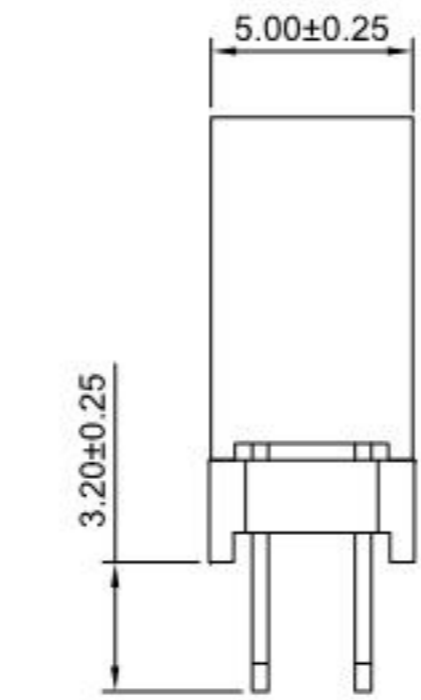
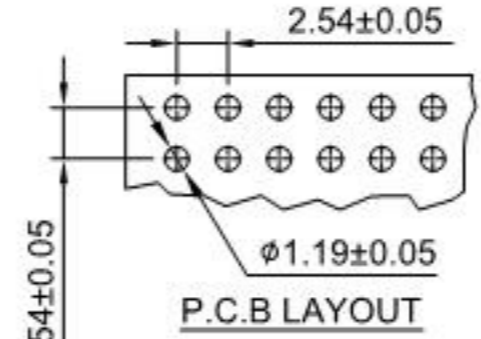
Ordering Information:  
 HDGC2541HWV-2xXP-H -  $\frac{*}{2}$  -  $\frac{***}{3}$

- 1.Part No.
- 2.Finish:  
 (blank): Gold over Nickel  
 T: Tin over Nickel
- 3.Material:  
 (blank): PBT,UL94V-0  
 6T: Nylon 6T,UL94V-0  
 GWT: Nylon 6T,UL94V-0,GWT 750°C

**SPECIFICATIONS:**  
 Current Rating: 3A AC,DC  
 Voltage Rating: 250V AC,DC  
 Temperature Range: -25°C ~ +85°C  
 Contact Resistance: 20mΩ Max  
 Insulation Resistance: 1000MΩ Min  
 Withstanding Voltage: 1500V AC/minute  
 Pin Material: Brass/Gold over Nickel  
 Material: PBT,UL94V-0(Black)

Ordering Information & Dimensions

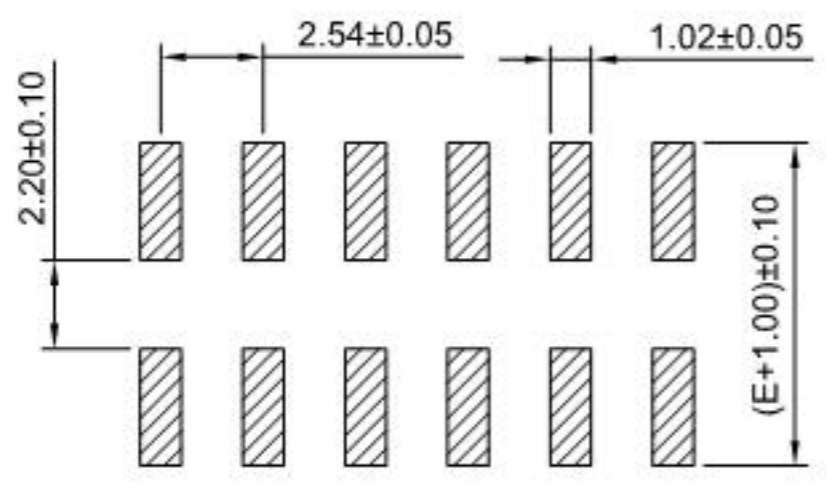
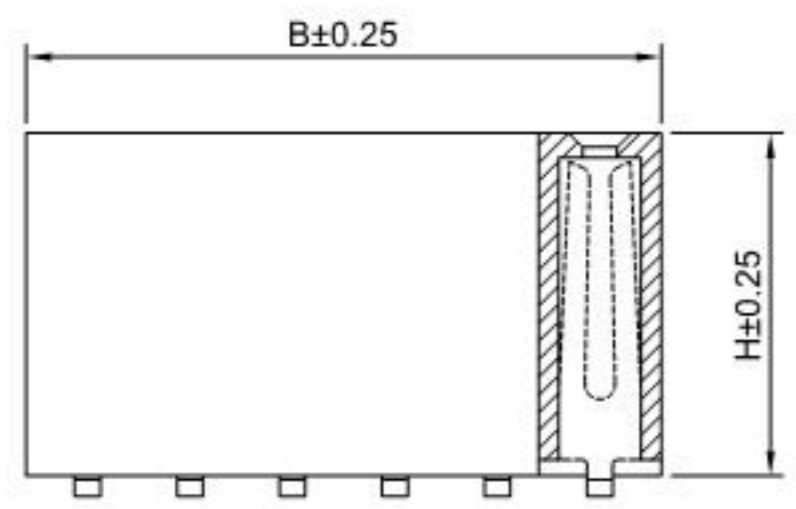
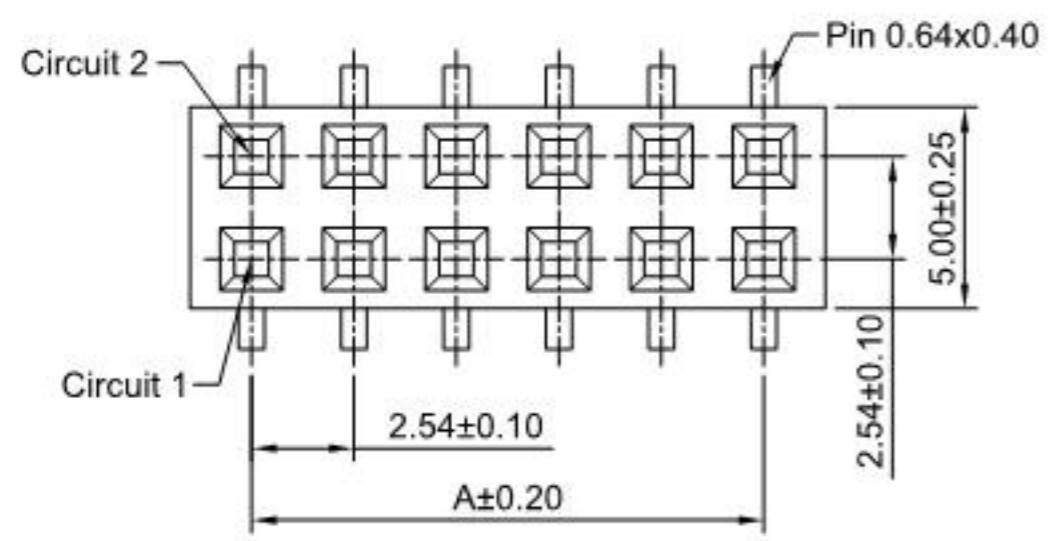
Circuits	Dim(mm)		Circuits	Dim(mm)		Circuits	Dim(mm)	
	A	B		A	B		A	B
2x2P	2.54	5.58	2x15P	35.56	38.60	2x28P	68.58	71.62
2x3P	5.08	8.12	2x16P	38.10	41.14	2x29P	71.12	74.16
2x4P	7.62	10.66	2x17P	40.64	43.68	2x30P	73.66	76.70
2x5P	10.16	13.20	2x18P	43.18	46.22	2x31P	76.20	79.24
2x6P	12.70	15.74	2x19P	45.72	48.76	2x32P	78.74	81.78
2x7P	15.24	18.28	2x20P	48.26	51.30	2x33P	81.28	84.32
2x8P	17.78	20.82	2x21P	50.80	53.84	2x34P	83.82	86.86
2x9P	20.32	23.36	2x22P	53.34	56.38	2x35P	86.36	89.40
2x10P	22.86	25.90	2x23P	55.88	58.92	2x36P	88.90	91.94
2x11P	25.40	28.44	2x24P	58.42	61.46	2x37P	91.44	94.48
2x12P	27.94	30.98	2x25P	60.96	64.00	2x38P	93.98	97.02
2x13P	30.48	33.52	2x26P	63.50	66.54	2x39P	96.52	99.56
2x14P	33.02	36.06	2x27P	66.04	69.08	2x40P	99.06	102.20



**HDGC** 深圳市华德共创科技有限公司  
 Shenzhen Huade co-create Technology Co., LTD  
 TEL: 0755-27129737 FAX: 0755-29940187

-TOLERANCES- UNLESS OTHERWISE SPECIFIED 公差参数表				TITLE: 2.54mm Pitch 产品名称: 180° Box Header	
X.X	±0.30	X.X°	±3°	APPD: 核准:	XIE
X.XX	±0.30	X.XX°	±2°	CHECK: 校对:	WANG
X.XXX	±0.10	X.XXX°	±1°	DRAW: 绘图:	WANG
PART NO: 产品编号:		HDGC2541HWV-2xXP-H		DATE	2014-07-10
SCALE		3:1		UNIT	mm
CODE NUMBER		A008			

修订 REV	标记 MARK	修改摘要 REVISION DESCRIPTION	签名 SIGNATURE	日期 DATE
A0		NEW RELEASE	WANG	2014-07-10

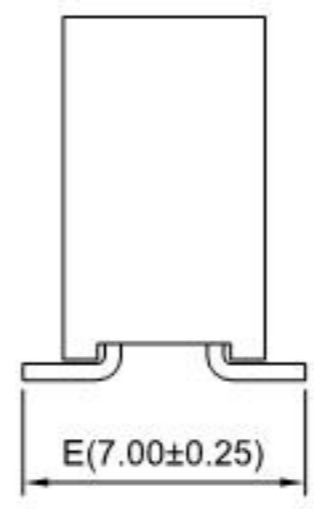


P.C.B LAYOUT

Ordering Information:

HDGC2541HWV-S-2xXP - <sup>\*\*\*\*</sup>/<sub>2</sub> - <sup>\*\*\*</sup>/<sub>3</sub> - <sup>+</sup>/<sub>4</sub> - <sup>\*\*\*</sup>/<sub>5</sub>

- Part No.
- Size(H):  
(blank): 8.50mm  
H71: 7.10mm  
H57: 5.70mm  
H50: 5.00mm  
H110: 11.00mm
- Size(E):  
(blank): 7.00mm  
E80: 8.00mm
- Finish:  
(blank): Gold over Nickel  
T: Tin over Nickel
- Material:  
(blank): Nylon 6T,UL94V-0  
GWT: Nylon 6T,UL94V-0,GWT 750°C



SPECIFICATIONS:

Current Rating: 3A AC,DC  
Voltage Rating: 250V AC,DC  
Temperature Range: -25°C ~ +85°C  
Contact Resistance: 20mΩ Max  
Insulation Resistance: 1000MΩ Min  
Withstanding Voltage: 1500V AC/minute  
Pin Material: Brass/Gold over Nickel  
Material: Nylon 6T,UL94V-0(Black)

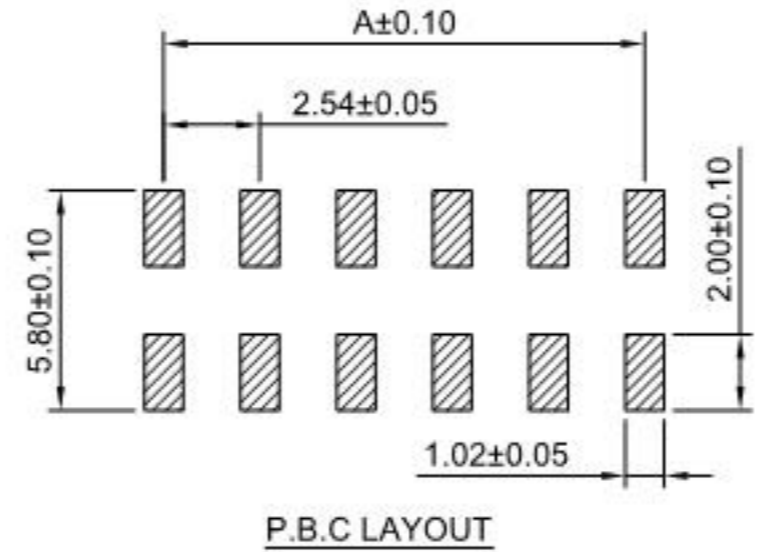
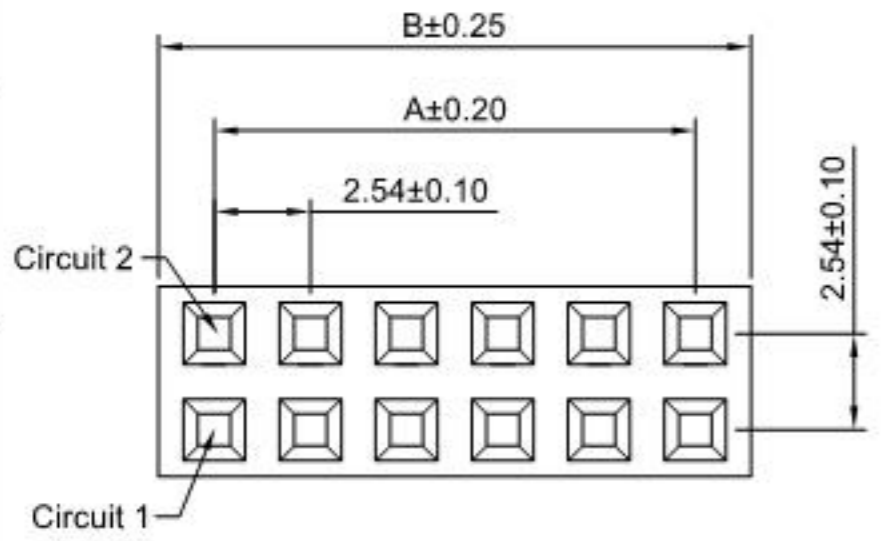
Ordering Information & Dimensions

Circuits	Dim(mm)		Circuits	Dim(mm)		Circuits	Dim(mm)	
	A	B		A	B		A	B
2x2P	2.54	5.58	2x15P	35.56	38.60	2x28P	68.58	71.62
2x3P	5.08	8.12	2x16P	38.10	41.14	2x29P	71.12	74.16
2x4P	7.62	10.66	2x17P	40.64	43.68	2x30P	73.66	76.70
2x5P	10.16	13.20	2x18P	43.18	46.22	2x31P	76.20	79.24
2x6P	12.70	15.74	2x19P	45.72	48.76	2x32P	78.74	81.78
2x7P	15.24	18.28	2x20P	48.26	51.30	2x33P	81.28	84.32
2x8P	17.78	20.82	2x21P	50.80	53.84	2x34P	83.82	86.86
2x9P	20.32	23.36	2x22P	53.34	56.38	2x35P	86.36	89.40
2x10P	22.86	25.90	2x23P	55.88	58.92	2x36P	88.90	91.94
2x11P	25.40	28.44	2x24P	58.42	61.46	2x37P	91.44	94.48
2x12P	27.94	30.98	2x25P	60.96	64.00	2x38P	93.98	97.02
2x13P	30.48	33.52	2x26P	63.50	66.54	2x39P	96.52	99.56
2x14P	33.02	36.06	2x27P	66.04	69.08	2x40P	99.06	102.10

**HDGC** 深圳市华德共创科技有限公司  
Shenzhen Huade co-create Technology Co., LTD  
TEL: 0755-27129737 FAX: 0755-29940187

-TOLERANCES- UNLESS OTHERWISE SPECIFIED 公差参数表			TITLE: 2.54mm Pitch 产品名称: 180° Box Header	
X.X	±0.30	X.X°	±3°	APPD: 核准: XIE
X.XX	±0.30	X.XX°	±2°	CHECK: 校对: WANG
X.XXX	±0.10	X.XXX°	±1°	DRAW: 绘图: WANG
PART NO: HDGC2541HWV-S-2xXP 产品编号:			DATE: 2014-07-10	SCALE: 4:1
			UNIT: mm	CODE NUMBER: A008

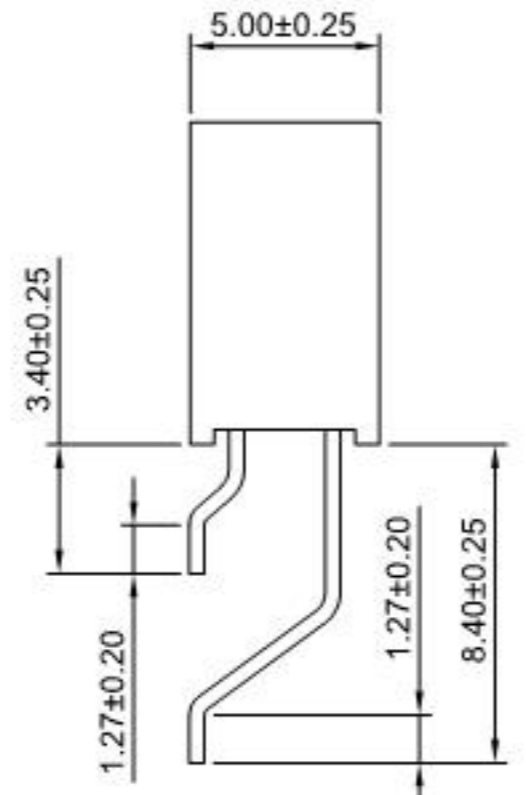
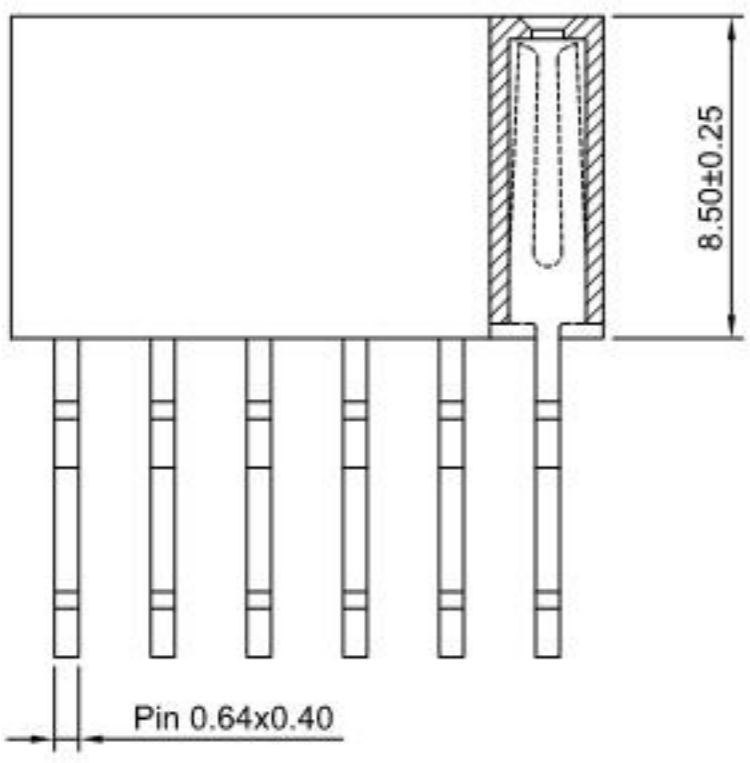
修订 REV	标记 MARK	修改摘要 REVISION DESCRIPTION	签名 SIGNATURE	日期 DATE
A0		NEW RELEASE	WANG	2014-07-10



**SPECIFICATIONS:**  
 Current Rating: 3A AC,DC  
 Voltage Rating: 250V AC,DC  
 Temperature Range: -25°C ~ +85°C  
 Contact Resistance: 20mΩ Max  
 Insulation Resistance: 1000MΩ Min  
 Withstanding Voltage: 1500V AC/minute  
 Pin Material: Brass/Gold over Nickel  
 Material: Nylon 6T, UL94V-0(Black)

**Ordering Information & Dimensions**

Circuits	Dim(mm)		Circuits	Dim(mm)		Circuits	Dim(mm)	
	A	B		A	B		A	B
2x2P	2.54	5.48	2x15P	35.56	38.50	2x28P	68.58	71.52
2x3P	5.08	8.02	2x16P	38.10	41.04	2x29P	71.12	74.06
2x4P	7.62	10.56	2x17P	40.64	43.58	2x30P	73.66	76.60
2x5P	10.16	13.10	2x18P	43.18	46.12	2x31P	76.20	79.14
2x6P	12.70	15.64	2x19P	45.72	48.66	2x32P	78.74	81.68
2x7P	15.24	18.18	2x20P	48.26	51.20	2x33P	81.28	84.22
2x8P	17.78	20.72	2x21P	50.80	53.74	2x34P	83.82	86.76
2x9P	20.32	23.26	2x22P	53.34	56.28	2x35P	86.36	89.30
2x10P	22.86	25.80	2x23P	55.88	58.82	2x36P	88.90	91.84
2x11P	25.40	28.34	2x24P	58.42	61.36	2x37P	91.44	94.38
2x12P	27.94	30.88	2x25P	60.96	63.90	2x38P	93.98	96.92
2x13P	30.48	33.42	2x26P	63.50	66.44	2x39P	96.52	99.46
2x14P	33.02	35.96	2x27P	66.04	68.98	2x40P	99.06	102.00



**HDGC** 深圳市华德共创科技有限公司  
 Shenzhen Huade co-create Technology Co., LTD  
 TEL: 0755-27129737 FAX: 0755-29940187

-TOLERANCES- UNLESS OTHERWISE SPECIFIED 公差参数表				TITLE: 2.54mm Pitch 产品名称: 90° Box Header	
X.X	±0.30	X.X°	±3°	APPD: 核准:	XIE
X.XX	±0.30	X.XX°	±2°	CHECK: 校对:	WANG
X.XXX	±0.10	X.XXX°	±1°	DRAW: 绘图:	WANG
PART NO: 产品编号:		HDGC2541HWR-S-2xXP		DATE	2014-07-10
SCALE		4:1	UNIT	mm	CODE NUMBER
A008					

修订 REV	标记 MARK	修改摘要 REVISION DESCRIPTION	签名 SIGNATURE	日期 DATE
A0		NEW RELEASE	WANG	2014-07-10

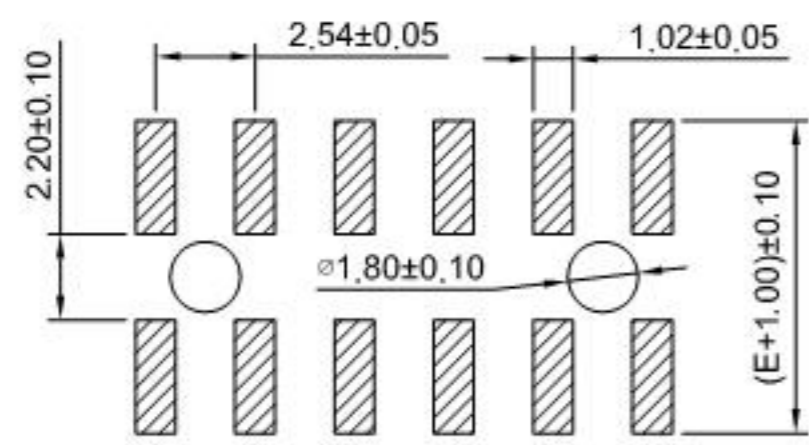
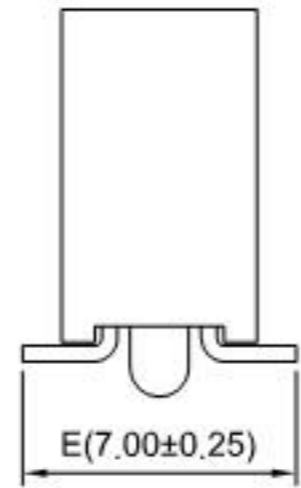
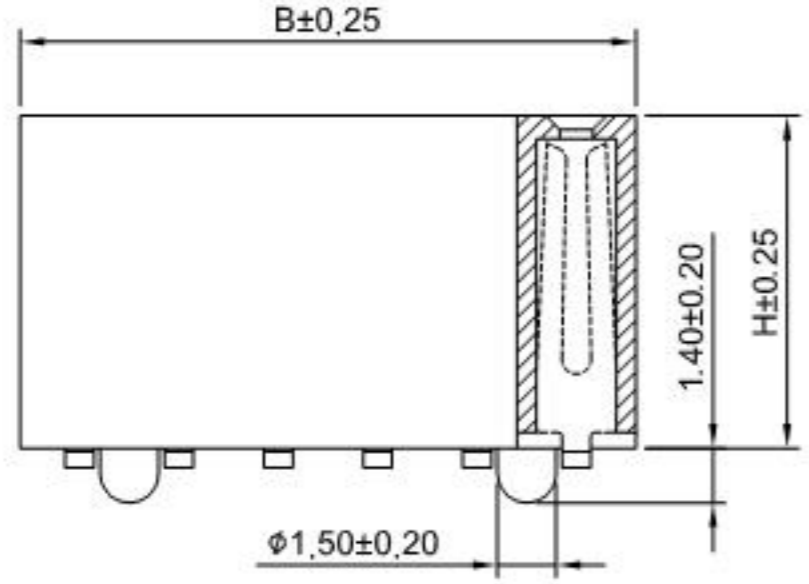
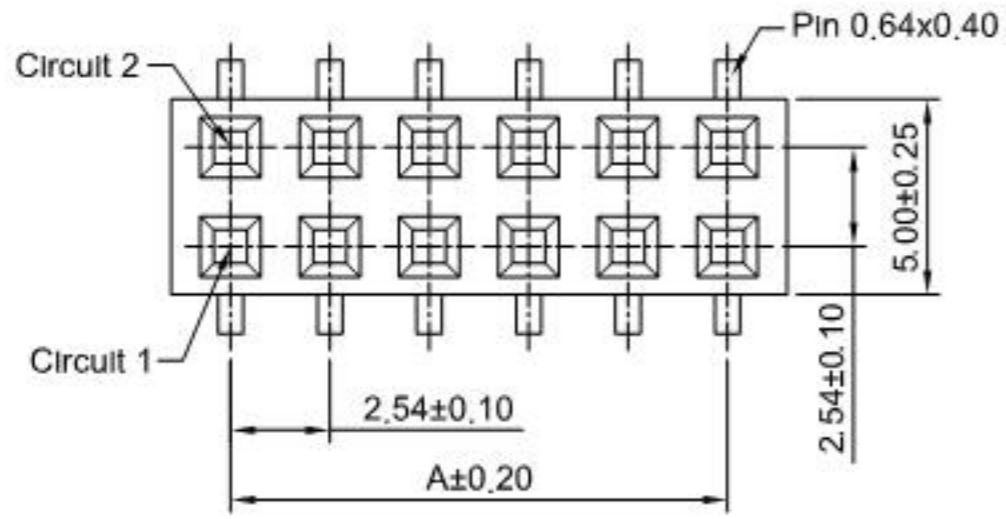
Ordering Information:  
 HDGC2541HWV-S-F-2xXP -  $\frac{****}{1} - \frac{***}{2} - \frac{**}{3} - \frac{*}{4} - \frac{***}{5}$

- Part No.
- Size(H):  
 (blank): 8.50mm  
 H71: 7.10mm  
 H57: 5.70mm  
 H50: 5.00mm  
 H110: 11.00mm
- Size(E):  
 (blank): 7.00mm  
 E80: 8.00mm
- Finish:  
 (blank): Gold over Nickel  
 T: Tin over Nickel
- Material:  
 (blank): Nylon 6T, UL94V-0  
 GWT: Nylon 6T, UL94V-0, GWT 750°C

**SPECIFICATIONS:**  
 Current Rating: 3A AC,DC  
 Voltage Rating: 250V AC,DC  
 Temperature Range: -25°C ~ +85°C  
 Contact Resistance: 20mΩ Max  
 Insulation Resistance: 1000MΩ Min  
 Withstanding Voltage: 1500V AC/minute  
 Pin Material: Brass/Gold over Nickel  
 Material: Nylon 6T, UL94V-0(Black)

Ordering Information & Dimensions

Circuits	Dim(mm)		Circuits	Dim(mm)		Circuits	Dim(mm)	
	A	B		A	B		A	B
2x2P	2.54	5.58	2x15P	35.56	38.60	2x28P	68.58	71.62
2x3P	5.08	8.12	2x16P	38.10	41.14	2x29P	71.12	74.16
2x4P	7.62	10.66	2x17P	40.64	43.68	2x30P	73.66	76.70
2x5P	10.16	13.20	2x18P	43.18	46.22	2x31P	76.20	79.24
2x6P	12.70	15.74	2x19P	45.72	48.76	2x32P	78.74	81.78
2x7P	15.24	18.28	2x20P	48.26	51.30	2x33P	81.28	84.32
2x8P	17.78	20.82	2x21P	50.80	53.84	2x34P	83.82	86.86
2x9P	20.32	23.36	2x22P	53.34	56.38	2x35P	86.36	89.40
2x10P	22.86	25.90	2x23P	55.88	58.92	2x36P	88.90	91.94
2x11P	25.40	28.44	2x24P	58.42	61.46	2x37P	91.44	94.48
2x12P	27.94	30.98	2x25P	60.96	64.00	2x38P	93.98	97.02
2x13P	30.48	33.52	2x26P	63.50	66.54	2x39P	96.52	99.56
2x14P	33.02	36.06	2x27P	66.04	69.08	2x40P	99.06	102.10

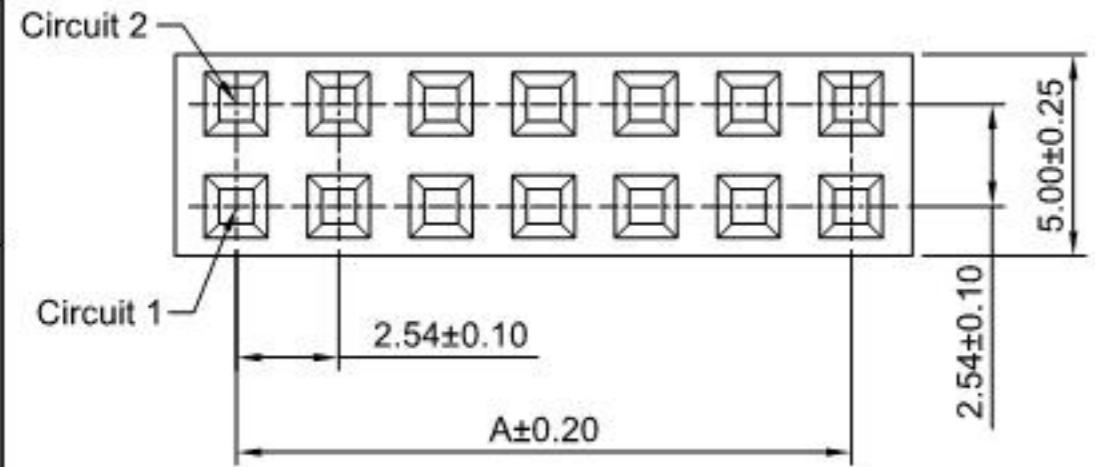


P.C.B LAYOUT

**深圳市华德共创科技有限公司**  
 Shenzhen Huade co-create Technology Co., LTD  
 TEL: 0755-27129737 FAX: 0755-29940187

-TOLERANCES- UNLESS OTHERWISE SPECIFIED 公差参数表			TITLE: 2.54mm Pitch 产品名称: 180° Box Header	
X.X	±0.30	X.X°	±3°	APPD: 核准: XIE
X.XX	±0.30	X.XX°	±2°	CHECK: 校对: WANG
X.XXX	±0.10	X.XXX°	±1°	DRAW: 绘图: WANG
		DATE	SCALE	UNIT
		2014-07-10	4:1	mm
		PART NO: HDGC2541HWV-S-F-2xXP 产品编号:		CODE NUMBER
				A008

修订 REV	标记 MARK	修改摘要 REVISION DESCRIPTION	签名 SIGNATURE	日期 DATE
A0		NEW RELEASE	WANG	2014-07-10



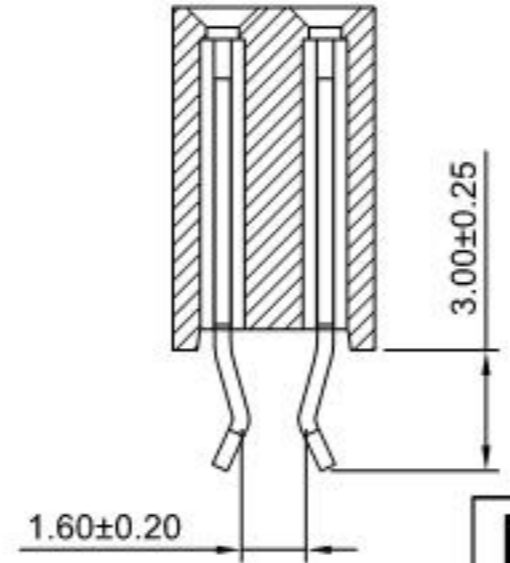
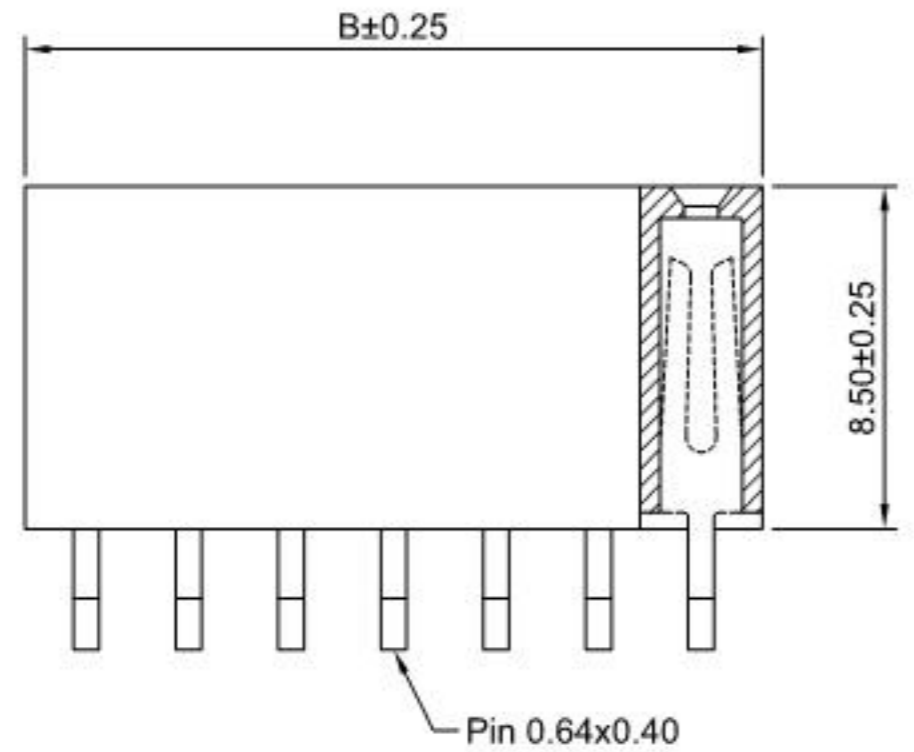
Ordering Information:  
 HDGC2541HWVA-2xXP - <sup>+</sup>/<sub>2</sub> - <sup>\*\*\*</sup>/<sub>3</sub>

- Part No.
- Finish:  
 (blank): Gold over Nickel  
 T: Tin over Nickel
- Material:  
 (blank): PBT,UL94V-0  
 6T: Nylon 6T,UL94V-0  
 GWT: Nylon 6T,UL94V-0,GWT 750°C

**SPECIFICATIONS:**  
 Current Rating: 3A AC,DC  
 Voltage Rating: 250V AC,DC  
 Temperature Range: -25°C ~ +85°C  
 Contact Resistance: 20mΩ Max  
 Insulation Resistance: 1000MΩ Min  
 Withstanding Voltage: 1500V AC/minute  
 Pin Material: Brass/Gold over Nickel  
 Material: PBT,UL94V-0(Black)

Ordering Information & Dimensions

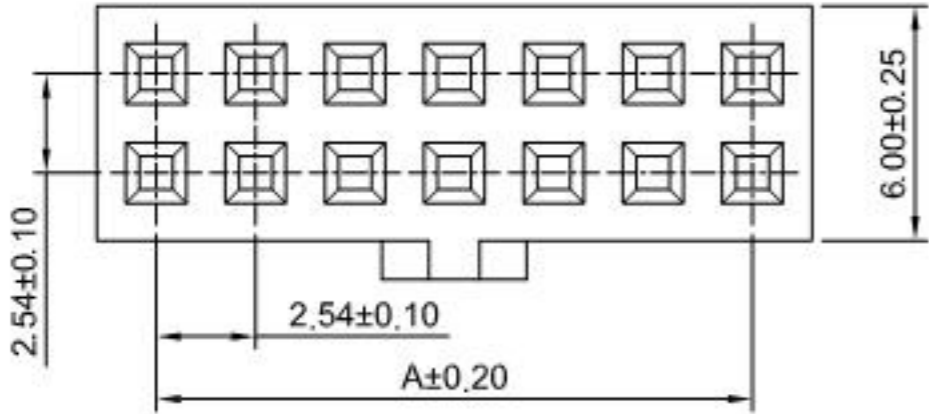
Circuits	Dim(mm)		Circuits	Dim(mm)		Circuits	Dim(mm)	
	A	B		A	B		A	B
2x2P	2.54	5.58	2x15P	35.56	38.60	2x28P	68.58	71.62
2x3P	5.08	8.12	2x16P	38.10	41.14	2x29P	71.12	74.16
2x4P	7.62	10.66	2x17P	40.64	43.68	2x30P	73.66	76.70
2x5P	10.16	13.20	2x18P	43.18	46.22	2x31P	76.20	79.24
2x6P	12.70	15.74	2x19P	45.72	48.76	2x32P	78.74	81.78
2x7P	15.24	18.28	2x20P	48.26	51.30	2x33P	81.28	84.32
2x8P	17.78	20.82	2x21P	50.80	53.84	2x34P	83.82	86.86
2x9P	20.32	23.36	2x22P	53.34	56.38	2x35P	86.36	89.40
2x10P	22.86	25.90	2x23P	55.88	58.92	2x36P	88.90	91.94
2x11P	25.40	28.44	2x24P	58.42	61.46	2x37P	91.44	94.48
2x12P	27.94	30.98	2x25P	60.96	64.00	2x38P	93.98	97.02
2x13P	30.48	33.52	2x26P	63.50	66.54	2x39P	96.52	99.56
2x14P	33.02	36.06	2x27P	66.04	69.08	2x40P	99.06	102.10



**HDGC** 深圳市华德共创科技有限公司  
 Shenzhen Huade co-create Technology Co., LTD  
 TEL: 0755-27129737 FAX: 0755-29940187

-TOLERANCES- UNLESS OTHERWISE SPECIFIED 公差参数表						TITLE: 2.54mm Pitch 产品名称: 180° Box Header			
X.X	±0.30	X.X°	±3°	APPD: 核准:	XIE	PART NO: 产品编号: HDGC2541HWVA-2xXP			
X.XX	±0.30	X.XX°	±2°	CHECK: 校对:	WANG	DATE	SCALE	UNIT	CODE NUMBER
X.XXX	±0.10	X.XXX°	±1°	DRAW: 绘图:	WANG	2014-07-10	4:1	mm	A008

修订 REV	标记 MARK	修改摘要 REVISION DESCRIPTION	签名 SIGNATURE	日期 DATE
A0		NEW RELEASE	WANG	2014-07-10



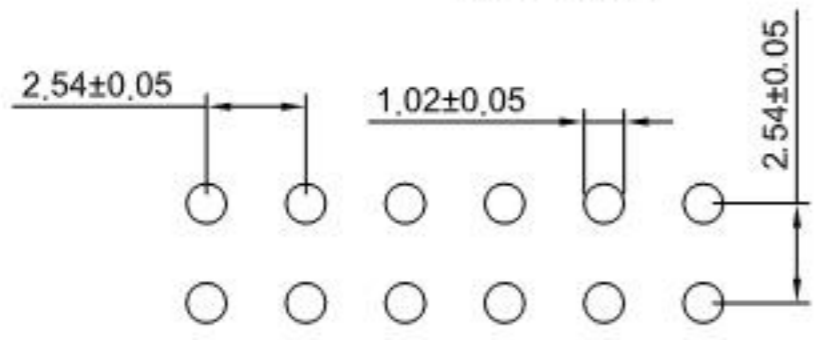
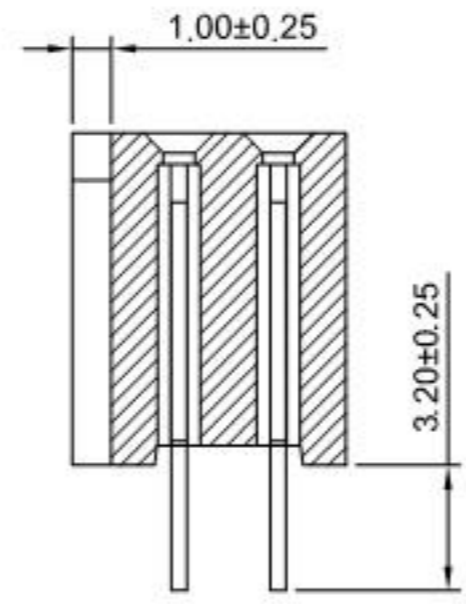
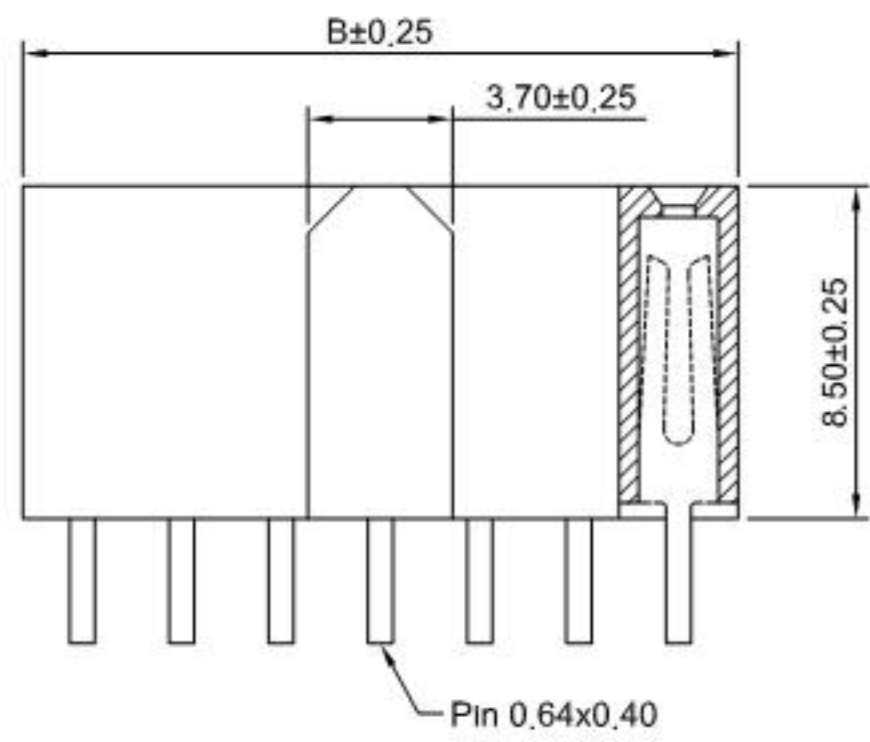
Ordering Information:  
 HDGC2541HWV-N-2xXP -  $\frac{7}{2} - \frac{777}{3}$

- 1. Part No.
- 2. Finish:  
 (blank): Gold over Nickel  
 T: Tin over Nickel
- 3. Material:  
 (blank): Nylon 6T, UL94V-0  
 GWT: Nylon 6T, UL94V-0, GWT 750°C

**SPECIFICATIONS:**  
 Current Rating: 3A AC,DC  
 Voltage Rating: 250V AC,DC  
 Temperature Range: -25°C ~ +85°C  
 Contact Resistance: 20mΩ Max  
 Insulation Resistance: 1000MΩ Min  
 Withstanding Voltage: 1500V AC/minute  
 Pin Material: Brass/Gold over Nickel  
 Material: Nylon 6T, UL94V-0(Black)

Ordering Information & Dimensions

Circuits	Dim(mm)		Circuits	Dim(mm)		Circuits	Dim(mm)	
	A	B		A	B		A	B
2x2P	2.54	5.58	2x15P	35.56	38.60	2x28P	68.58	71.62
2x3P	5.08	8.12	2x16P	38.10	41.14	2x29P	71.12	74.16
2x4P	7.62	10.66	2x17P	40.64	43.68	2x30P	73.66	76.70
2x5P	10.16	13.20	2x18P	43.18	46.22	2x31P	76.20	79.24
2x6P	12.70	15.74	2x19P	45.72	48.76	2x32P	78.74	81.78
2x7P	15.24	18.28	2x20P	48.26	51.30	2x33P	81.28	84.32
2x8P	17.78	20.82	2x21P	50.80	53.84	2x34P	83.82	86.86
2x9P	20.32	23.36	2x22P	53.34	56.38	2x35P	86.36	89.40
2x10P	22.86	25.90	2x23P	55.88	58.92	2x36P	88.90	91.94
2x11P	25.40	28.44	2x24P	58.42	61.46	2x37P	91.44	94.48
2x12P	27.94	30.98	2x25P	60.96	64.00	2x38P	93.98	97.02
2x13P	30.48	33.52	2x26P	63.50	66.54	2x39P	96.52	99.56
2x14P	33.02	36.06	2x27P	66.04	69.08	2x40P	99.06	102.10

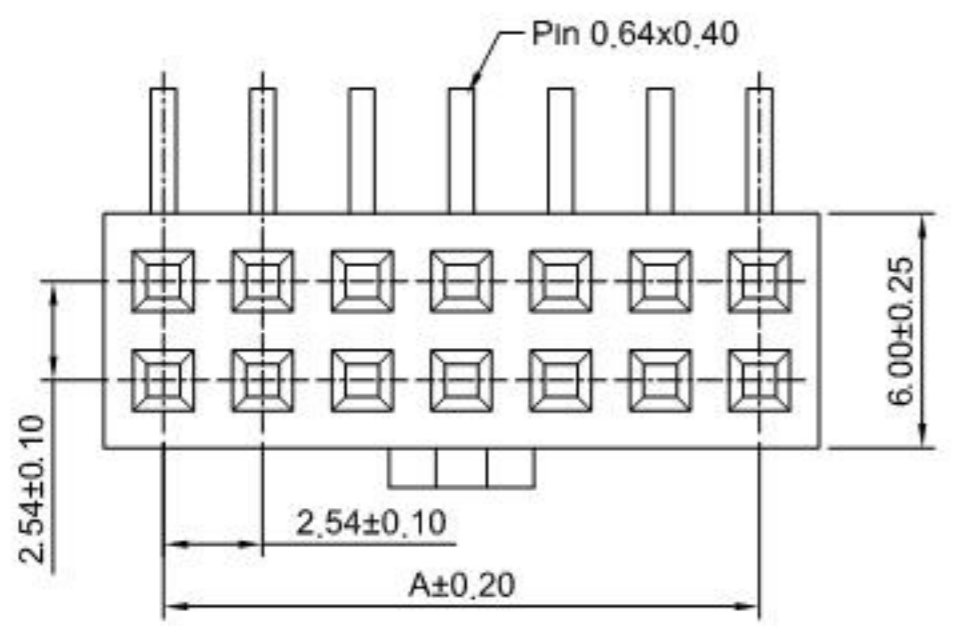


P.C.B LAYOUT

**深圳市华德共创科技有限公司**  
 Shenzhen Huade co-create Technology Co., LTD  
 TEL: 0755-27129737 FAX: 0755-29940187

-TOLERANCES- UNLESS OTHERWISE SPECIFIED 公差参数表		TITLE: 2.54mm Pitch 产品名称: 180° Box Header	
X.X	±0.30	X.X°	±3°
X.XX	±0.30	X.XX°	±2°
X.XXX	±0.10	X.XXX°	±1°
APPD: 核准: XIE		PART NO: HDGC2541HWV-N-2xXP	
CHECK: 校对: WANG		DATE	SCALE
DRAW: 绘图: WANG		UNIT	CODE NUMBER
		2014-07-10	4:1 mm A008

修订 REV	标记 MARK	修改摘要 REVISION DESCRIPTION	签名 SIGNATURE	日期 DATE
A0		NEW RELEASE	WANG	2014-07-10



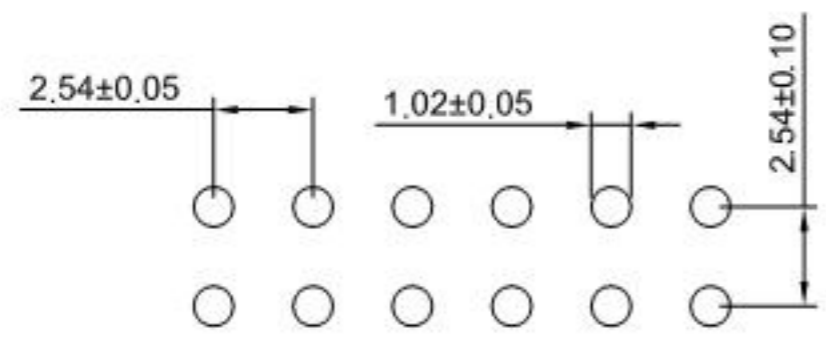
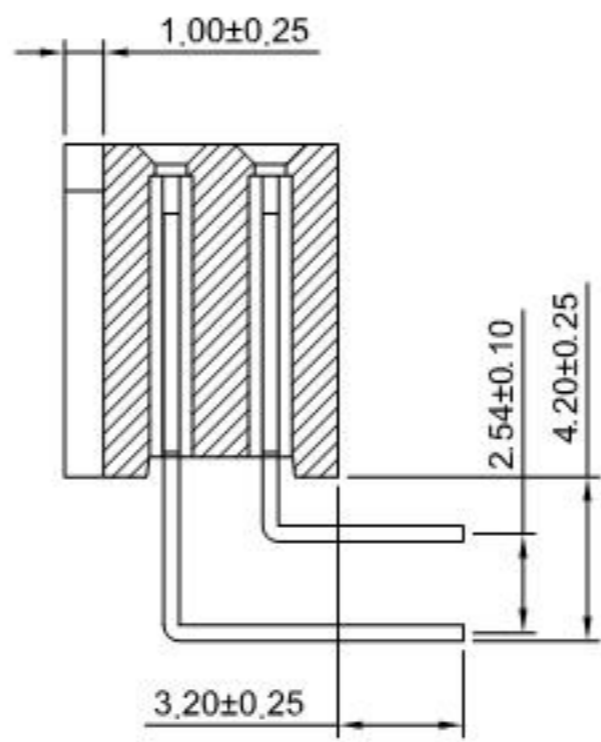
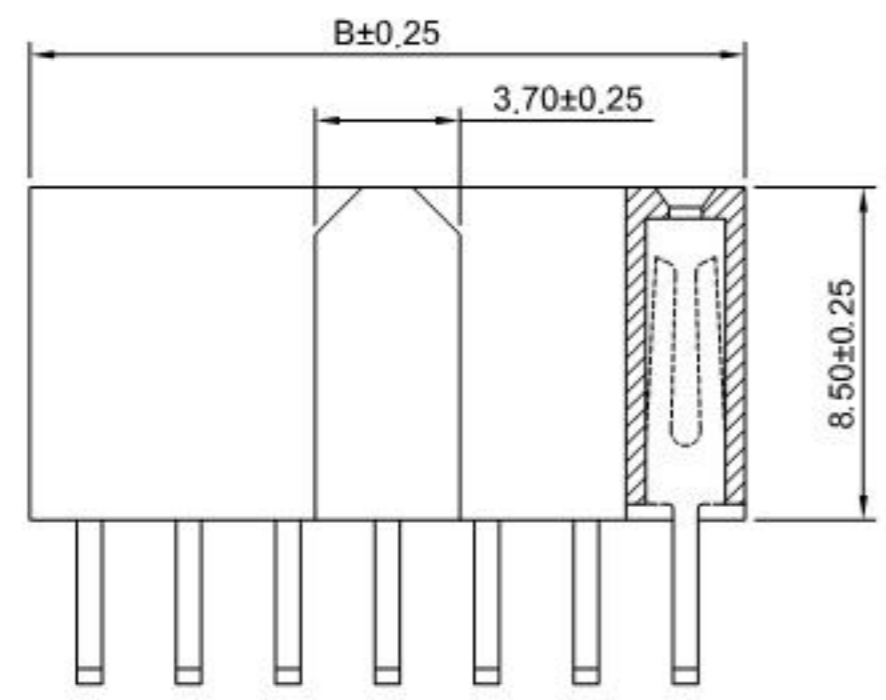
Ordering Information:  
 HDGC2541HWR-N-2xXP - <sup>\*\*\*</sup>/<sub>2</sub> - <sup>\*\*\*</sup>/<sub>3</sub>

- Part No.
- Finish:  
 (blank): Gold over Nickel  
 T: Tin over Nickel
- Material:  
 (blank): Nylon 6T,UL94V-0  
 GWT: Nylon 6T,UL94V-0,GWT 750°C

**SPECIFICATIONS:**  
 Current Rating: 3A AC,DC  
 Voltage Rating: 250V AC,DC  
 Temperature Range: -25°C ~ +85°C  
 Contact Resistance: 20mΩ Max  
 Insulation Resistance: 1000MΩ Min  
 Withstanding Voltage: 1500V AC/minute  
 Pin Material: Brass/Gold over Nickel  
 Material: Nylon 6T,UL94V-0(Black)

Ordering Information & Dimensions

Circuits	Dim(mm)		Circuits	Dim(mm)		Circuits	Dim(mm)	
	A	B		A	B		A	B
2x2P	2.54	5.58	2x15P	35.56	38.60	2x28P	68.58	71.62
2x3P	5.08	8.12	2x16P	38.10	41.14	2x29P	71.12	74.16
2x4P	7.62	10.66	2x17P	40.64	43.68	2x30P	73.66	76.70
2x5P	10.16	13.20	2x18P	43.18	46.22	2x31P	76.20	79.24
2x6P	12.70	15.74	2x19P	45.72	48.76	2x32P	78.74	81.78
2x7P	15.24	18.28	2x20P	48.26	51.30	2x33P	81.28	84.32
2x8P	17.78	20.82	2x21P	50.80	53.84	2x34P	83.82	86.86
2x9P	20.32	23.36	2x22P	53.34	56.38	2x35P	86.36	89.40
2x10P	22.86	25.90	2x23P	55.88	58.92	2x36P	88.90	91.94
2x11P	25.40	28.44	2x24P	58.42	61.46	2x37P	91.44	94.48
2x12P	27.94	30.98	2x25P	60.96	64.00	2x38P	93.98	97.02
2x13P	30.48	33.52	2x26P	63.50	66.54	2x39P	96.52	99.56
2x14P	33.02	36.06	2x27P	66.04	69.08	2x40P	99.06	102.10

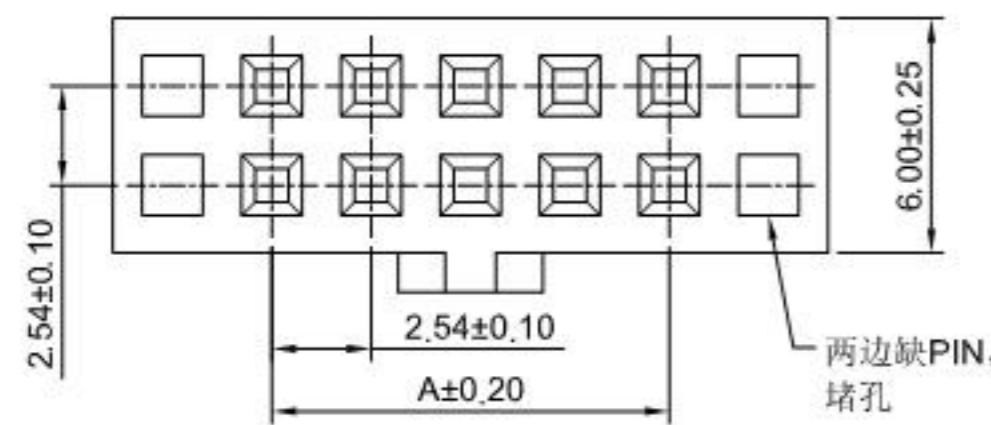


P.C.B LAYOUT

**深圳市华德共创科技有限公司**  
 Shenzhen Huade co-create Technology Co., LTD  
 TEL: 0755-27129737 FAX: 0755-29940187

-TOLERANCES- UNLESS OTHERWISE SPECIFIED 公差参数表		TITLE: 产品名称: 2.54mm Pitch 90° Box Header	
X.X	±0.30	X.X°	±3°
X.XX	±0.30	X.XX°	±2°
X.XXX	±0.10	X.XXX°	±1°
APPD: 核准:	XIE	PART NO: 产品编号:	HDGC2541HWR-N-2xXP
CHECK: 校对:	WANG	DATE	SCALE
DRAW: 绘图:	WANG	2014-07-10	4:1
		UNIT	CODE NUMBER
		mm	A008

修订 REV	标记 MARK	修改摘要 REVISION DESCRIPTION	签名 SIGNATURE	日期 DATE
A0		NEW RELEASE	WANG	2014-07-10



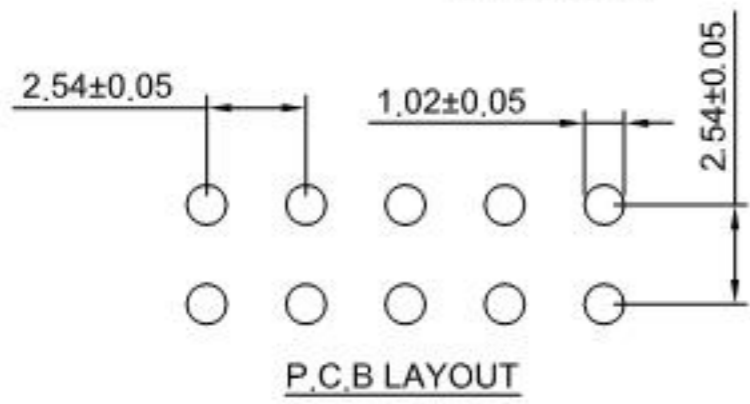
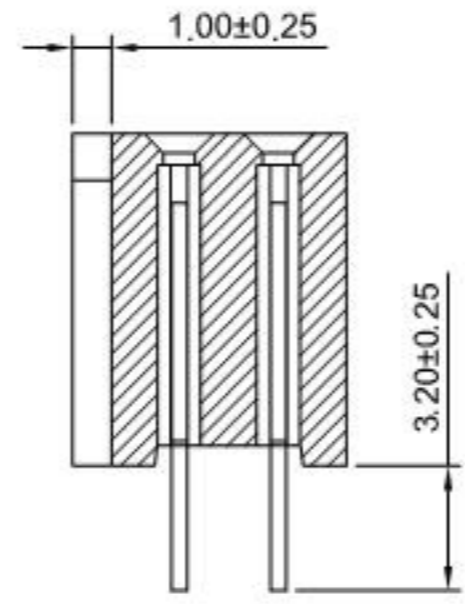
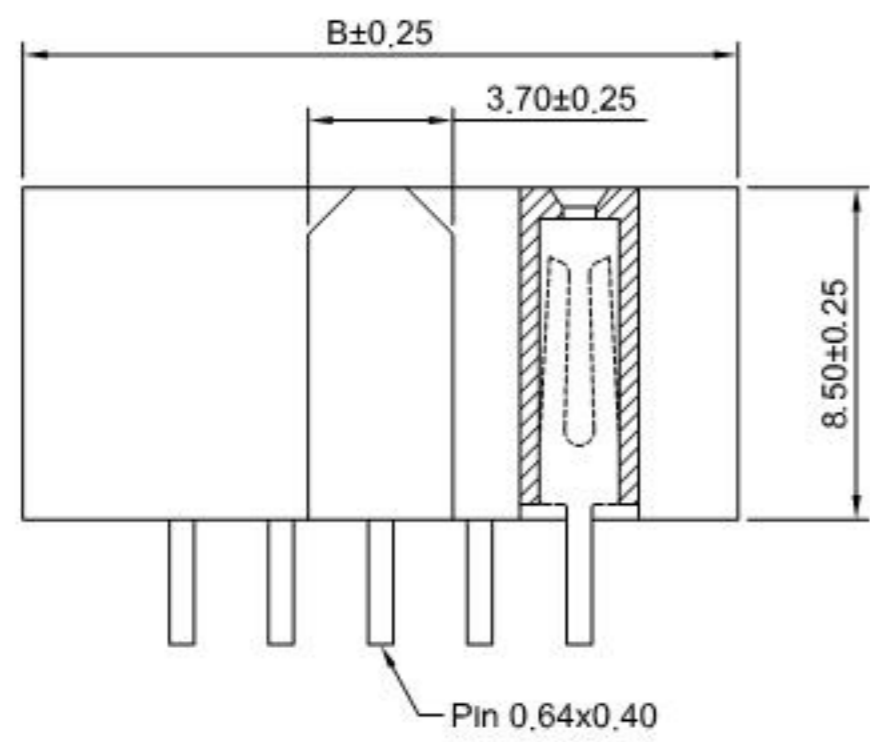
**Ordering Information:**  
 HDGC2541HWV-N-2xXP-A -  $\frac{2}{2} - \frac{xxx}{3}$

1. Part No.  
 2. Finish:  
 (blank): Gold over Nickel  
 T: Tin over Nickel  
 3. Material:  
 (blank): Nylon 6T, UL94V-0  
 GWT: Nylon 6T, UL94V-0, GWT 750°C

**SPECIFICATIONS:**  
 Current Rating: 3A AC,DC  
 Voltage Rating: 250V AC,DC  
 Temperature Range: -25°C ~ +85°C  
 Contact Resistance: 20mΩ Max  
 Insulation Resistance: 1000MΩ Min  
 Withstanding Voltage: 1500V AC/minute  
 Pin Material: Brass/Gold over Nickel  
 Material: Nylon 6T, UL94V-0(Black)

**Ordering Information & Dimensions**

Circuits	Dim(mm)		Circuits	Dim(mm)		Circuits	Dim(mm)	
	A	B		A	B		A	B
2x2P	2.54	10.66	2x15P	35.56	43.68	2x28P	68.58	76.70
2x3P	5.08	13.20	2x16P	38.10	46.22	2x29P	71.12	79.24
2x4P	7.62	15.74	2x17P	40.64	48.76	2x30P	73.66	81.78
2x5P	10.16	18.28	2x18P	43.18	51.30	2x31P	76.20	84.32
2x6P	12.70	20.82	2x19P	45.72	53.84	2x32P	78.74	86.86
2x7P	15.24	23.36	2x20P	48.26	56.38	2x33P	81.28	89.40
2x8P	17.78	25.90	2x21P	50.80	58.92	2x34P	83.82	91.94
2x9P	20.32	28.44	2x22P	53.34	61.46	2x35P	86.36	94.48
2x10P	22.86	30.98	2x23P	55.88	64.00	2x36P	88.90	97.02
2x11P	25.40	33.52	2x24P	58.42	66.54	2x37P	91.44	99.56
2x12P	27.94	36.06	2x25P	60.96	69.08	2x38P	93.98	102.10
2x13P	30.48	38.60	2x26P	63.50	71.62			
2x14P	33.02	41.14	2x27P	66.04	74.16			

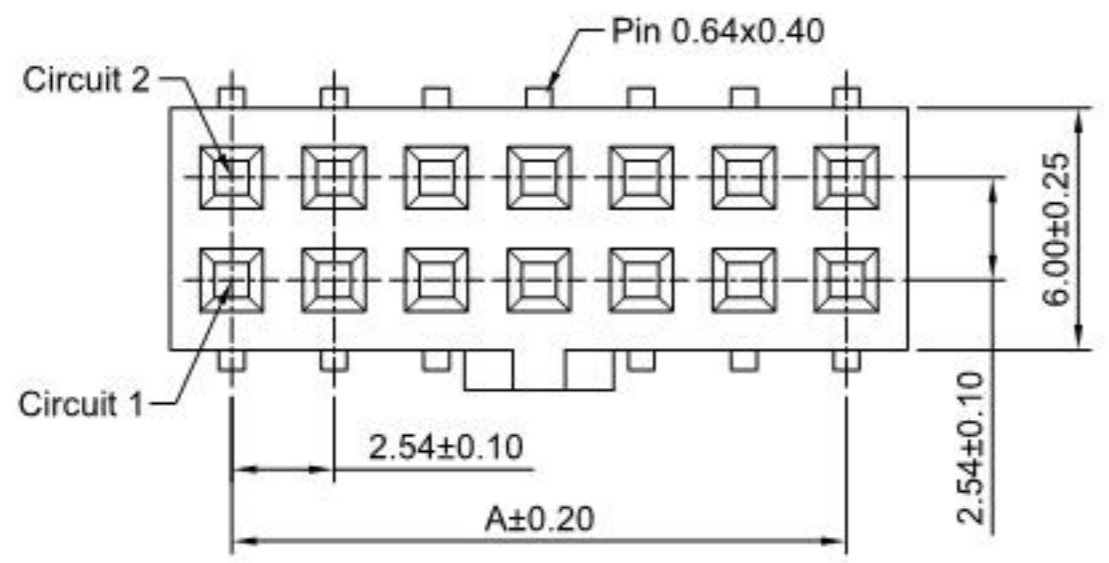


**深圳市华德共创科技有限公司**  
 Shenzhen Huade co-create Technology Co., LTD  
 TEL: 0755-27129737 FAX: 0755-29940187

-TOLERANCES- UNLESS OTHERWISE SPECIFIED 公差参数表		TITLE: 2.54mm Pitch 产品名称: 180° Box Header	
X.X	±0.30	X.X°	±3°
X.XX	±0.30	X.XX°	±2°
X.XXX	±0.10	X.XXX°	±1°

APPD: 核准:	XIE	PART NO: 产品编号:	HDGC2541HWV-N-2xXP-A		
CHECK: 校对:	WANG	DATE	SCALE	UNIT	CODE NUMBER
DRAW: 绘图:	WANG	2014-07-10	4:1	mm	A008

修订 REV	标记 MARK	修改摘要 REVISION DESCRIPTION	签名 SIGNATURE	日期 DATE
A0		NEW RELEASE	WANG	2014-07-10



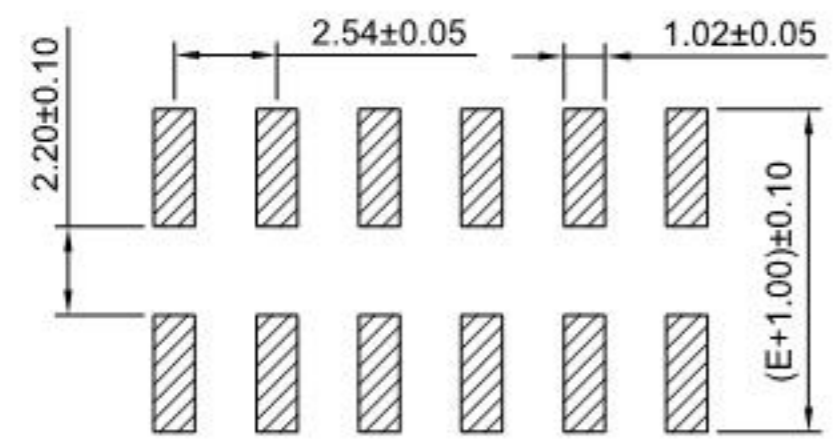
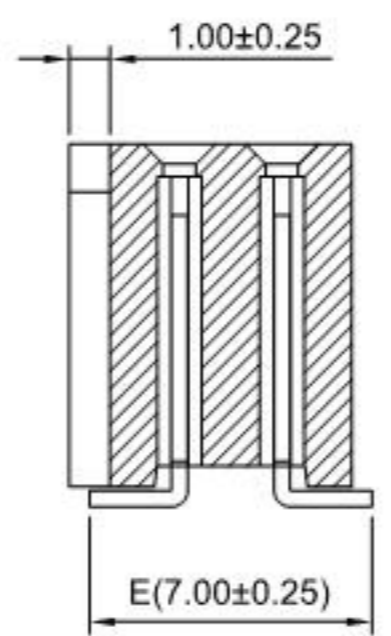
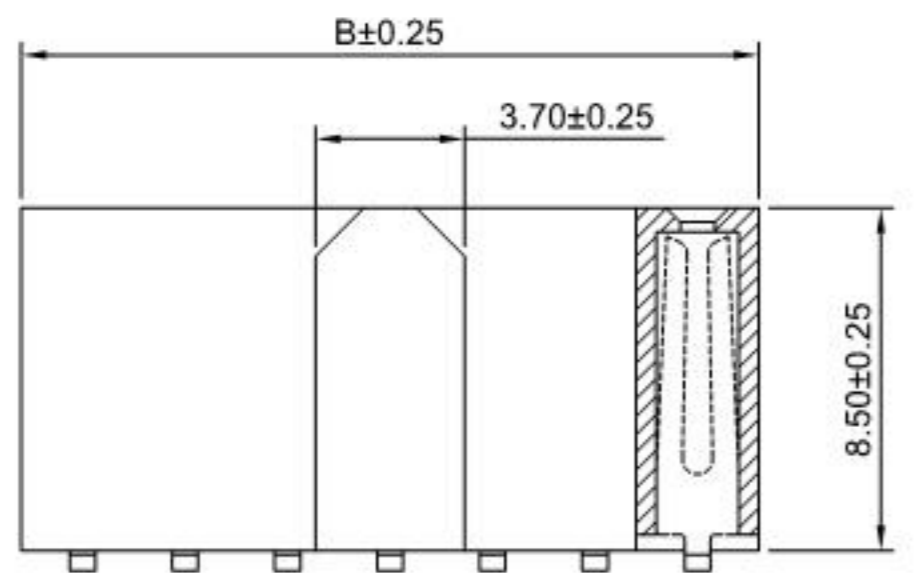
Ordering Information:  
**HDGC2541HWV-N-S-2xXP** -  $\frac{***}{1}$  -  $\frac{**}{2}$  -  $\frac{*}{3}$  -  $\frac{***}{4}$

- Part No.
- Size(E):  
 (blank): 7.00mm  
 E80: 8.00mm
- Finish:  
 (blank): Gold over Nickel  
 T: Tin over Nickel
- Material:  
 (blank): Nylon 6T,UL94V-0  
 GWT: Nylon 6T,UL94V-0,GWT 750°C

**SPECIFICATIONS:**  
 Current Rating: 3A AC,DC  
 Voltage Rating: 250V AC,DC  
 Temperature Range: -25°C ~ +85°C  
 Contact Resistance: 20mΩ Max  
 Insulation Resistance: 1000MΩ Min  
 Withstanding Voltage: 1500V AC/minute  
 Pin Material: Brass/Gold over Nickel  
 Material: Nylon 6T,UL94V-0(Black)

Ordering Information & Dimensions

Circuits	Dim(mm)		Circuits	Dim(mm)		Circuits	Dim(mm)	
	A	B		A	B		A	B
2x2P	2.54	5.58	2x15P	35.56	38.60	2x28P	68.58	71.62
2x3P	5.08	8.12	2x16P	38.10	41.14	2x29P	71.12	74.16
2x4P	7.62	10.66	2x17P	40.64	43.68	2x30P	73.66	76.70
2x5P	10.16	13.20	2x18P	43.18	46.22	2x31P	76.20	79.24
2x6P	12.70	15.74	2x19P	45.72	48.76	2x32P	78.74	81.78
2x7P	15.24	18.28	2x20P	48.26	51.30	2x33P	81.28	84.32
2x8P	17.78	20.82	2x21P	50.80	53.84	2x34P	83.82	86.86
2x9P	20.32	23.36	2x22P	53.34	56.38	2x35P	86.36	89.40
2x10P	22.86	25.90	2x23P	55.88	58.92	2x36P	88.90	91.94
2x11P	25.40	28.44	2x24P	58.42	61.46	2x37P	91.44	94.48
2x12P	27.94	30.98	2x25P	60.96	64.00	2x38P	93.98	97.02
2x13P	30.48	33.52	2x26P	63.50	66.54	2x39P	96.52	99.56
2x14P	33.02	36.06	2x27P	66.04	69.08	2x40P	99.06	102.10

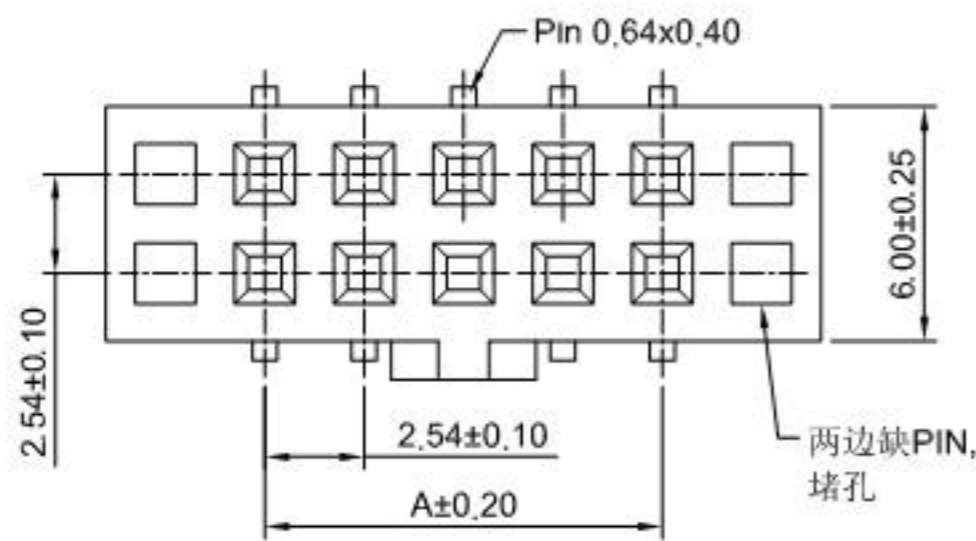


P.C.B LAYOUT

**深圳市华德共创科技有限公司**  
 Shenzhen Huade co-create Technology Co., LTD  
 TEL: 0755-27129737 FAX: 0755-29940187

-TOLERANCES- UNLESS OTHERWISE SPECIFIED 公差参数表			TITLE: 2.54mm Pitch 产品名称: 180° Box Header	
X.X ±0.30	X.X° ±3°	APPD: 核准: XIE	PART NO: 产品编号: HDGC2541HWV-N-S-2xXP	
X.XX ±0.30	X.XX° ±2°	CHECK: 校对: WANG	DATE	SCALE
X.XXX ±0.10	X.XXX° ±1°	DRAW: 绘图: WANG	2014-07-10	4:1
			UNIT	CODE NUMBER
			mm	A008

修订 REV	标记 MARK	修改摘要 REVISION DESCRIPTION	签名 SIGNATURE	日期 DATE
A0		NEW RELEASE	WANG	2014-07-10



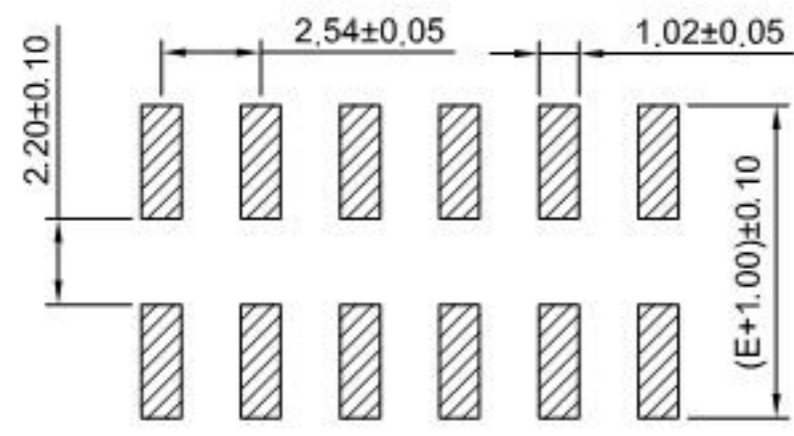
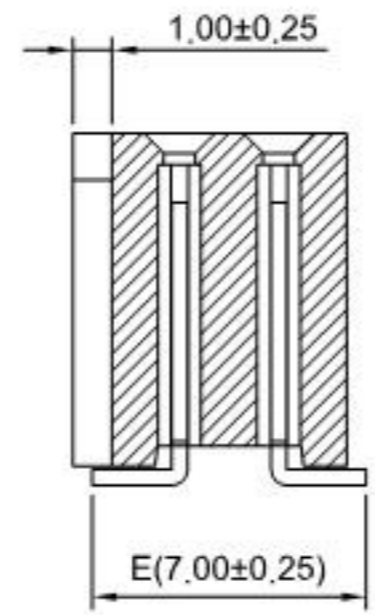
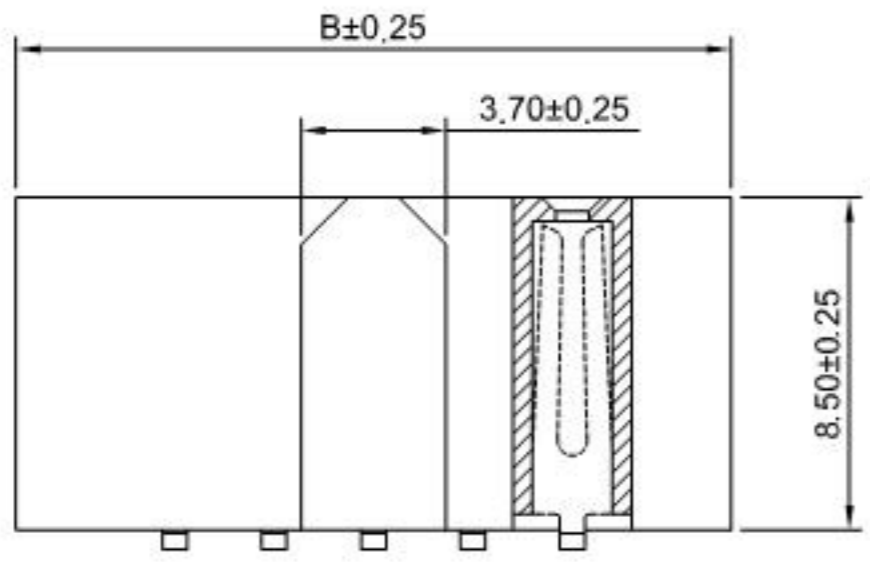
Ordering Information:  
 HDGC2541HWV-N-S-2xXP-A -  $\frac{***}{2}$  -  $\frac{r}{3}$  -  $\frac{***}{4}$

1. Part No.
2. Size(E):  
 (blank): 7.00mm  
 E80: 8.00mm
3. Finish:  
 (blank): Gold over Nickel  
 T: Tin over Nickel
4. Material:  
 (blank): Nylon 6T, UL94V-0  
 GWT: Nylon 6T, UL94V-0, GWT 750°C

**SPECIFICATIONS:**  
 Current Rating: 3A AC,DC  
 Voltage Rating: 250V AC,DC  
 Temperature Range: -25°C ~ +85°C  
 Contact Resistance: 20mΩ Max  
 Insulation Resistance: 1000MΩ Min  
 Withstanding Voltage: 1500V AC/minute  
 Pin Material: Brass/Gold over Nickel  
 Material: Nylon 6T, UL94V-0(Black)

Ordering Information & Dimensions

Circuits	Dim(mm)		Circuits	Dim(mm)		Circuits	Dim(mm)	
	A	B		A	B		A	B
2x2P	2.54	10.66	2x15P	35.56	43.68	2x28P	68.58	76.70
2x3P	5.08	13.20	2x16P	38.10	46.22	2x29P	71.12	79.24
2x4P	7.62	15.74	2x17P	40.64	48.76	2x30P	73.66	81.78
2x5P	10.16	18.28	2x18P	43.18	51.30	2x31P	76.20	84.32
2x6P	12.70	20.82	2x19P	45.72	53.84	2x32P	78.74	86.86
2x7P	15.24	23.36	2x20P	48.26	56.38	2x33P	81.28	89.40
2x8P	17.78	25.90	2x21P	50.80	58.92	2x34P	83.82	91.94
2x9P	20.32	28.44	2x22P	53.34	61.46	2x35P	86.36	94.48
2x10P	22.86	30.98	2x23P	55.88	64.00	2x36P	88.90	97.02
2x11P	25.40	33.52	2x24P	58.42	66.54	2x37P	91.44	99.56
2x12P	27.94	36.06	2x25P	60.96	69.08	2x38P	93.98	102.10
2x13P	30.48	38.60	2x26P	63.50	71.62			
2x14P	33.02	41.14	2x27P	66.04	74.16			



P.C.B LAYOUT

**深圳市华德共创科技有限公司**  
 Shenzhen Huade co-create Technology Co., LTD  
 TEL: 0755-27129737 FAX: 0755-29940187

-TOLERANCES- UNLESS OTHERWISE SPECIFIED 公差参数表			TITLE: 2.54mm Pitch 产品名称: 180° Box Header	
X.X ±0.30	X.X° ±3°	APPD: 核准: XIE	PART NO: 产品编号: HDGC2541HWV-N-S-2xXP-A	
X.XX ±0.30	X.XX° ±2°	CHECK: 校对: WANG	DATE	SCALE
X.XXX ±0.10	X.XXX° ±1°	DRAW: 绘图: WANG	2014-07-10	4:1
			UNIT	CODE NUMBER
			mm	A008

修订 REV	标记 MARK	修改摘要 REVISION DESCRIPTION	签名 SIGNATURE	日期 DATE
A0		NEW RELEASE	WANG	2014-07-10

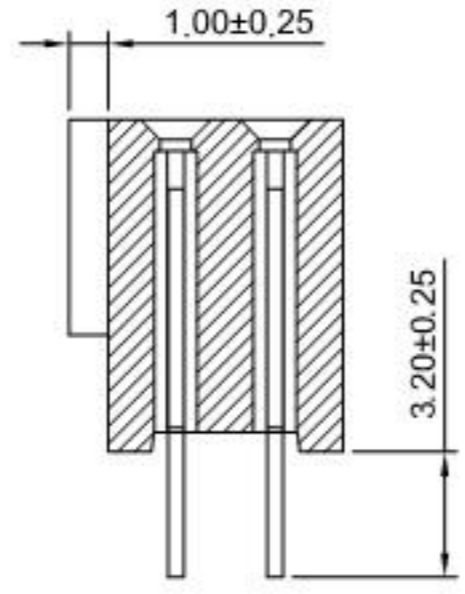
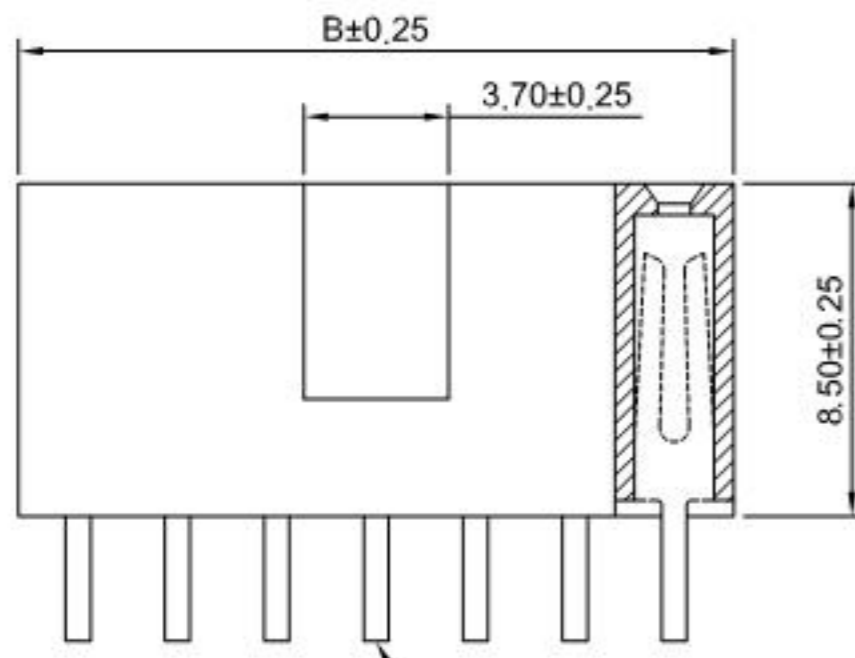
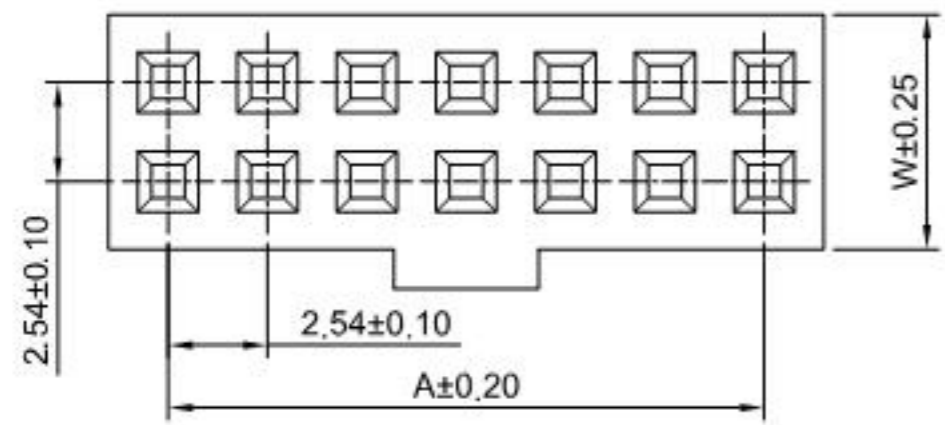
Ordering Information:  
 HDGC2541HWV-N1-2xXP -  $\frac{xxx}{2} - \frac{x}{3} - \frac{xxx}{4}$

- Part No.
- Size(W):  
 (blank): 6.00mm  
 W50: 5.00mm
- Finish:  
 (blank): Gold over Nickel  
 T: Tin over Nickel
- Material:  
 (blank): Nylon 6T,UL94V-0  
 GWT: Nylon 6T,UL94V-0,GWT 750°C

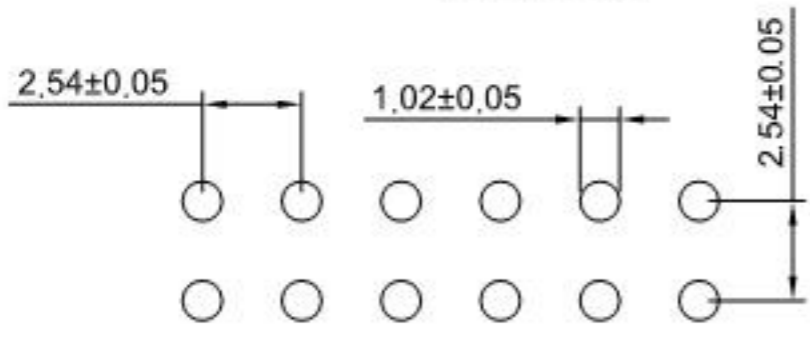
**SPECIFICATIONS:**  
 Current Rating: 3A AC,DC  
 Voltage Rating: 250V AC,DC  
 Temperature Range: -25°C ~ +85°C  
 Contact Resistance: 20mΩ Max  
 Insulation Resistance: 1000MΩ Min  
 Withstanding Voltage: 1500V AC/minute  
 Pin Material: Brass/Gold over Nickel  
 Material: Nylon 6T,UL94V-0(Black)

Ordering Information & Dimensions

Circuits	Dim(mm)		Circuits	Dim(mm)		Circuits	Dim(mm)	
	A	B		A	B		A	B
2x2P	2.54	5.58	2x15P	35.56	38.60	2x28P	68.58	71.62
2x3P	5.08	8.12	2x16P	38.10	41.14	2x29P	71.12	74.16
2x4P	7.62	10.66	2x17P	40.64	43.68	2x30P	73.66	76.70
2x5P	10.16	13.20	2x18P	43.18	46.22	2x31P	76.20	79.24
2x6P	12.70	15.74	2x19P	45.72	48.76	2x32P	78.74	81.78
2x7P	15.24	18.28	2x20P	48.26	51.30	2x33P	81.28	84.32
2x8P	17.78	20.82	2x21P	50.80	53.84	2x34P	83.82	86.86
2x9P	20.32	23.36	2x22P	53.34	56.38	2x35P	86.36	89.40
2x10P	22.86	25.90	2x23P	55.88	58.92	2x36P	88.90	91.94
2x11P	25.40	28.44	2x24P	58.42	61.46	2x37P	91.44	94.48
2x12P	27.94	30.98	2x25P	60.96	64.00	2x38P	93.98	97.02
2x13P	30.48	33.52	2x26P	63.50	66.54	2x39P	96.52	99.56
2x14P	33.02	36.06	2x27P	66.04	69.08	2x40P	99.06	102.10



Pin 0.64x0.40

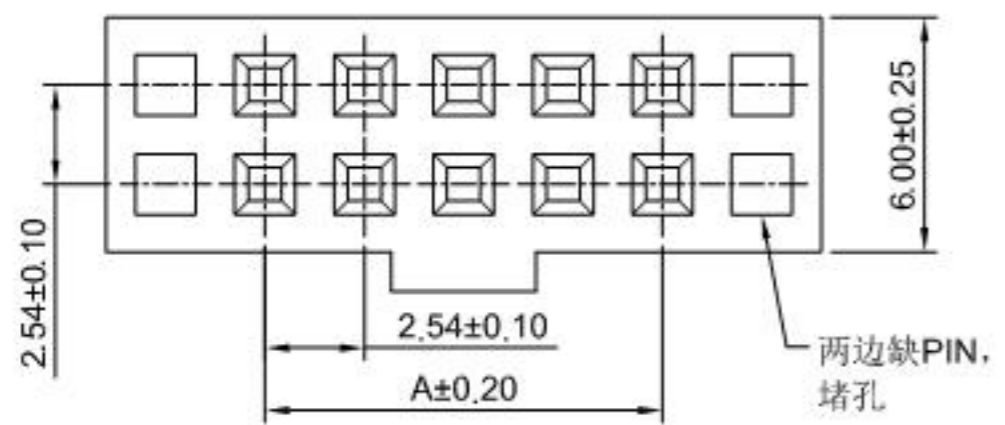


P.C.B LAYOUT

**深圳市华德共创科技有限公司**  
 Shenzhen Huade co-create Technology Co., LTD  
 TEL: 0755-27129737 FAX: 0755-29940187

-TOLERANCES- UNLESS OTHERWISE SPECIFIED 公差参数表		TITLE: 2.54mm Pitch 产品名称: 180° Box Header	
X.X	±0.30	X.X°	±3°
X.XX	±0.30	X.XX°	±2°
X.XXX	±0.10	X.XXX°	±1°
APPD: 核准: XIE		PART NO: HDGC2541HWV-N1-2xXP	
CHECK: 校对: WANG		DATE	SCALE
DRAW: 绘图: WANG		2014-07-10	4:1
		UNIT	CODE NUMBER
		mm	A008

修订 REV	标记 MARK	修改摘要 REVISION DESCRIPTION	签名 SIGNATURE	日期 DATE
A0		NEW RELEASE	WANG	2014-07-10



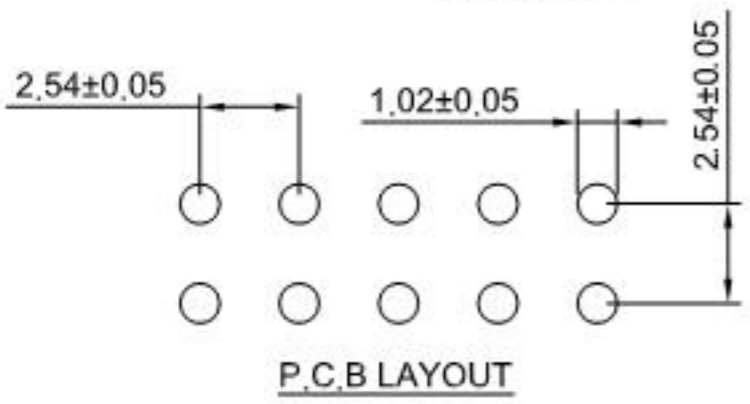
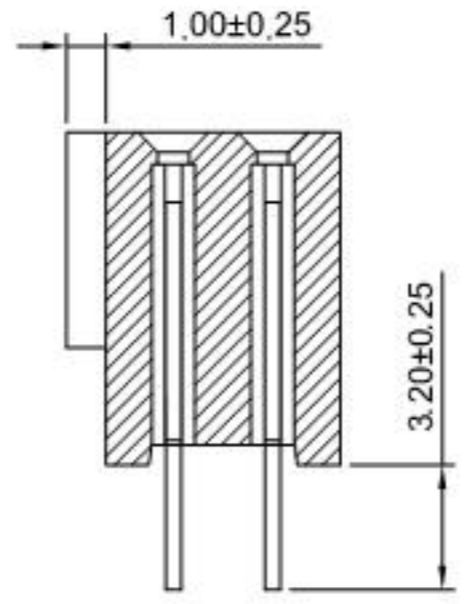
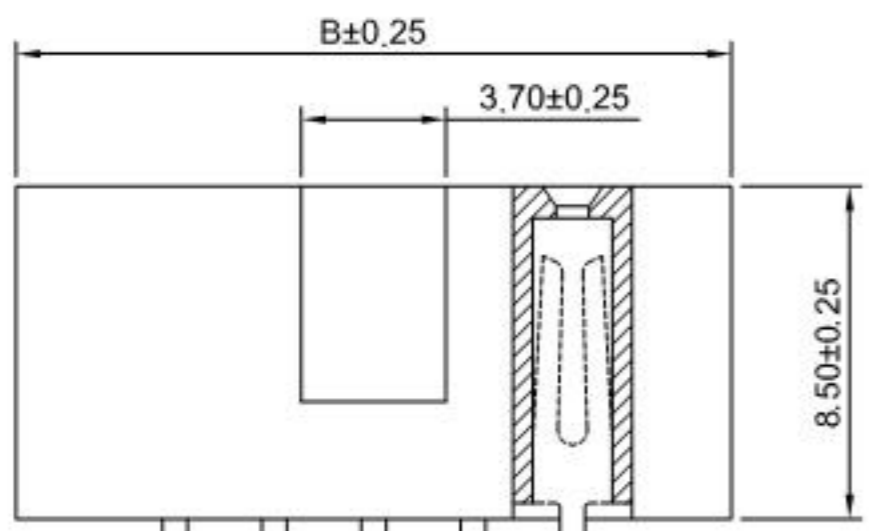
**Ordering Information:**  
 HDGC2541HWV-N1-2xXP-A -  $\frac{1}{2} - \frac{777}{3}$

1. Part No.  
 2. Finish:  
 (blank): Gold over Nickel  
 T: Tin over Nickel  
 3. Material:  
 (blank): Nylon 6T, UL94V-0  
 GWT: Nylon 6T, UL94V-0, GWT 750°C

**SPECIFICATIONS:**  
 Current Rating: 3A AC,DC  
 Voltage Rating: 250V AC,DC  
 Temperature Range: -25°C ~ +85°C  
 Contact Resistance: 20mΩ Max  
 Insulation Resistance: 1000MΩ Min  
 Withstanding Voltage: 1500V AC/minute  
 Pin Material: Brass/Gold over Nickel  
 Material: Nylon 6T, UL94V-0(Black)

**Ordering Information & Dimensions**

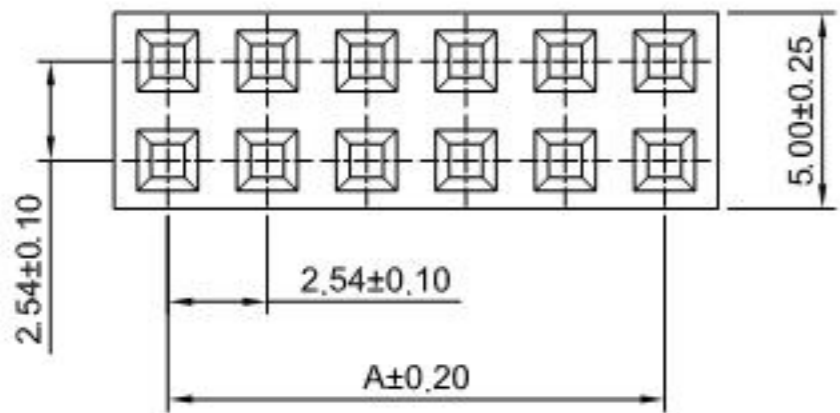
Circuits	Dim(mm)		Circuits	Dim(mm)		Circuits	Dim(mm)	
	A	B		A	B		A	B
2x2P	2.54	10.66	2x15P	35.56	43.68	2x28P	68.58	76.70
2x3P	5.08	13.20	2x16P	38.10	46.22	2x29P	71.12	79.24
2x4P	7.62	15.74	2x17P	40.64	48.76	2x30P	73.66	81.78
2x5P	10.16	18.28	2x18P	43.18	51.30	2x31P	76.20	84.32
2x6P	12.70	20.82	2x19P	45.72	53.84	2x32P	78.74	86.86
2x7P	15.24	23.36	2x20P	48.26	56.38	2x33P	81.28	89.40
2x8P	17.78	25.90	2x21P	50.80	58.92	2x34P	83.82	91.94
2x9P	20.32	28.44	2x22P	53.34	61.46	2x35P	86.36	94.48
2x10P	22.86	30.98	2x23P	55.88	64.00	2x36P	88.90	97.02
2x11P	25.40	33.52	2x24P	58.42	66.54	2x37P	91.44	99.56
2x12P	27.94	36.06	2x25P	60.96	69.08	2x38P	93.98	102.10
2x13P	30.48	38.60	2x26P	63.50	71.62			
2x14P	33.02	41.14	2x27P	66.04	74.16			



**HDGC** 深圳市华德共创科技有限公司  
 Shenzhen Huade co-create Technology Co., LTD  
 TEL: 0755-27129737 FAX: 0755-29940187

-TOLERANCES- UNLESS OTHERWISE SPECIFIED 公差参数表			TITLE: 2.54mm Pitch 产品名称: 180° Box Header	
X.X	±0.30	X.X°	±3°	APPD: 核准: XIE
X.XX	±0.30	X.XX°	±2°	CHECK: 校对: WANG
X.XXX	±0.10	X.XXX°	±1°	DRAW: 绘图: WANG
		DATE	SCALE	UNIT
		2014-07-10	4:1	mm
		PART NO: HDGC2541HWV-N1-2xXP-A 产品编号:		CODE NUMBER
				A008

修订 REV	标记 MARK	修改摘要 REVISION DESCRIPTION	签名 SIGNATURE	日期 DATE
A0		NEW RELEASE	WANG	2014-07-10



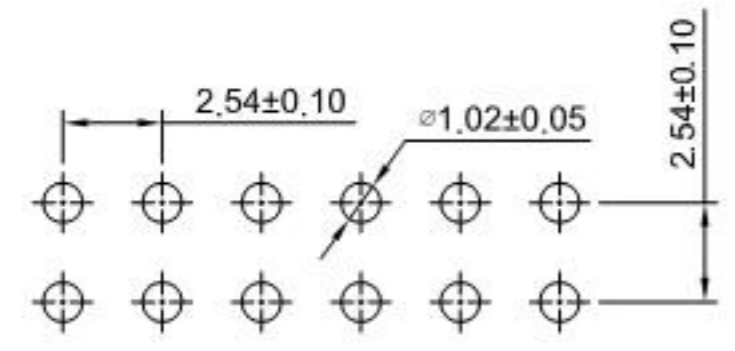
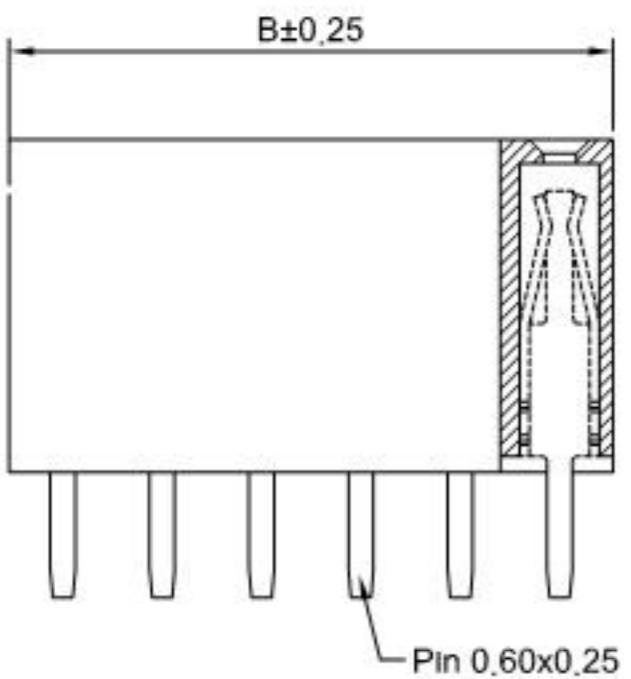
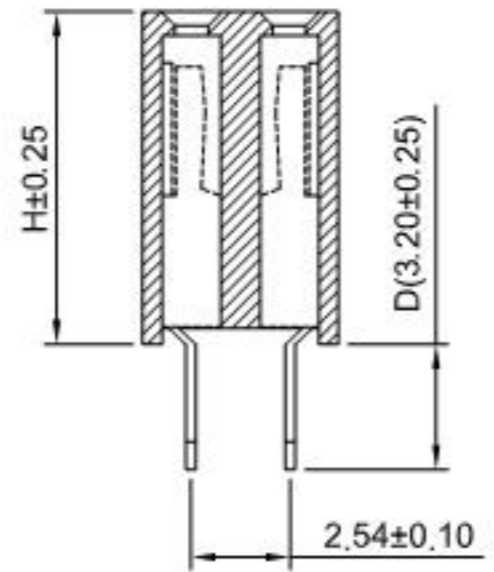
Ordering Information:  
 HDGC2541HWV-2xXP-U -  $\frac{***}{1}$  -  $\frac{**}{2}$  -  $\frac{*}{3}$  -  $\frac{***}{4}$

- Part No.
- Size(H):  
 (blank): 8.50mm  
 H71: 7.10mm  
 H50: 5.00mm(Pin 0.60x0.20)  
 H35: 3.50mm(Pin 0.50x0.15, B: B-0.50mm, D: 3.50mm)
- Finish:  
 (blank): Gold over Nickel  
 T: Tin over Nickel
- Material:  
 (blank): Nylon 6T, UL94V-0  
 GWT: Nylon 6T, UL94V-0, GWT 750°C

**SPECIFICATIONS:**  
 Current Rating: 3A AC, DC  
 Voltage Rating: 250V AC, DC  
 Temperature Range: -25°C ~ +85°C  
 Contact Resistance: 20mΩ Max  
 Insulation Resistance: 1000MΩ Min  
 Withstanding Voltage: 1500V AC/minute  
 Pin Material: Brass/Gold over Nickel  
 Material: Nylon 6T, UL94V-0(Black)

Ordering Information & Dimensions

Circuits	Dim(mm)		Circuits	Dim(mm)		Circuits	Dim(mm)	
	A	B		A	B		A	B
2x2P	2.54	5.58	2x15P	35.56	38.60	2x28P	68.58	71.62
2x3P	5.08	8.12	2x16P	38.10	41.14	2x29P	71.12	74.16
2x4P	7.62	10.66	2x17P	40.64	43.68	2x30P	73.66	76.70
2x5P	10.16	13.20	2x18P	43.18	46.22	2x31P	76.20	79.24
2x6P	12.70	15.74	2x19P	45.72	48.76	2x32P	78.74	81.78
2x7P	15.24	18.28	2x20P	48.26	51.30	2x33P	81.28	84.32
2x8P	17.78	20.82	2x21P	50.80	53.84	2x34P	83.82	86.86
2x9P	20.32	23.36	2x22P	53.34	56.38	2x35P	86.36	89.40
2x10P	22.86	25.90	2x23P	55.88	58.92	2x36P	88.90	91.94
2x11P	25.40	28.44	2x24P	58.42	61.46	2x37P	91.44	94.48
2x12P	27.94	30.98	2x25P	60.96	64.00	2x38P	93.98	97.02
2x13P	30.48	33.52	2x26P	63.50	66.54	2x39P	96.52	99.56
2x14P	33.02	36.06	2x27P	66.04	69.08	2x40P	99.06	102.10

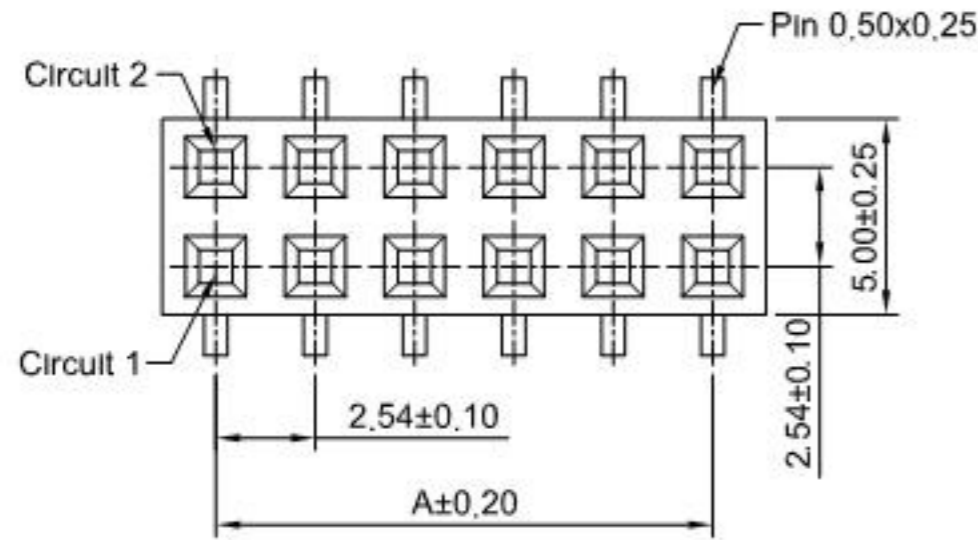


P.C.B LAYOUT

**深圳市华德共创科技有限公司**  
 Shenzhen Huade co-create Technology Co., LTD  
 TEL: 0755-27129737 FAX: 0755-29940187

-TOLERANCES- UNLESS OTHERWISE SPECIFIED 公差参数表			TITLE: 2.54mm Pitch 产品名称: 180° Box Header	
X.X	±0.30	X.X°	±3°	APPD: 核准: XIE
X.XX	±0.30	X.XX°	±2°	CHECK: 校对: WANG
X.XXX	±0.10	X.XXX°	±1°	DRAW: 绘图: WANG
		DATE	SCALE	UNIT
		2014-07-10	4:1	mm
		PART NO: HDGC2541HWV-2xXP-U 产品编号:		CODE NUMBER
				A008

修订 REV	标记 MARK	修改摘要 REVISION DESCRIPTION	签名 SIGNATURE	日期 DATE
A0		NEW RELEASE	WANG	2014-07-10



Ordering Information:  
 HDGC2541HWV-S-2xXP-U -  $\frac{***}{1}$  -  $\frac{***}{2}$  -  $\frac{***}{3}$  -  $\frac{***}{4}$  -  $\frac{***}{5}$

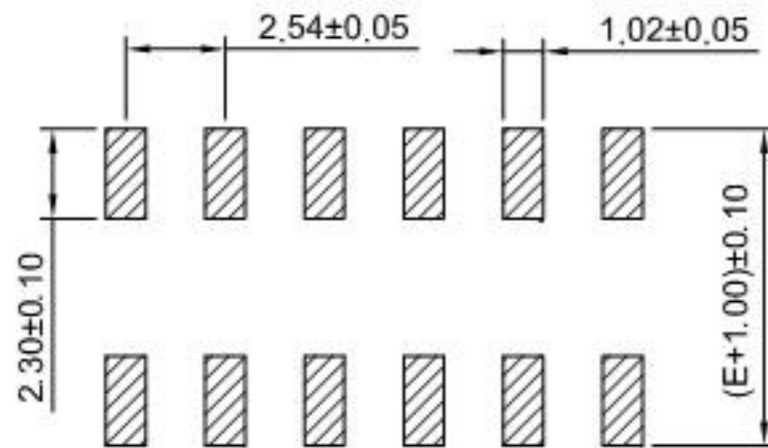
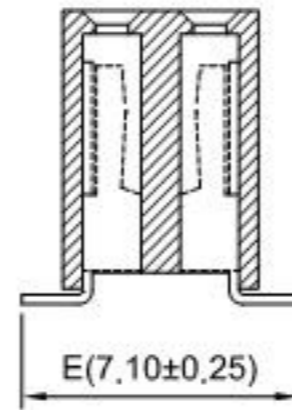
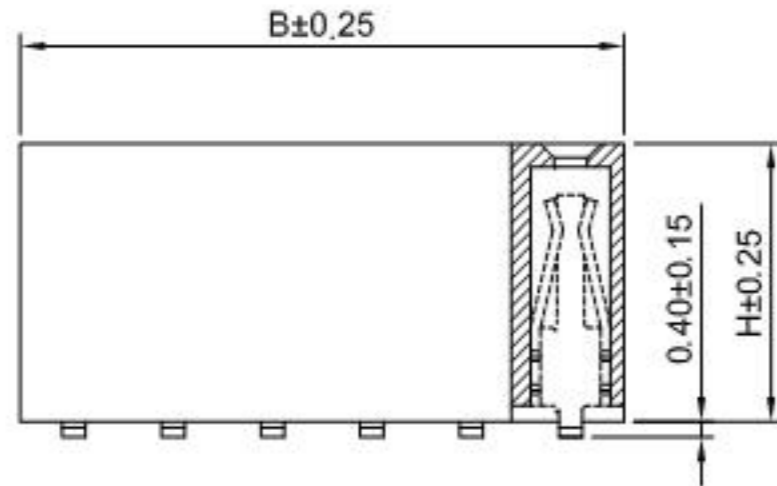
- Part No.
- Size(H):  
 (blank): 8.50mm  
 H71: 7.10mm(Pin 0.60x0.25)  
 H50: 5.00mm(Pin 0.60x0.25)  
 H35: 3.50mm(Pin 0.50x0.20,B:B-0.50mm)
- Size(E):  
 (blank): 7.10mm(H85,H71,H35)  
 E74: 7.40mm(H50)  
 E66: 6.60mm(H71,H50,H35)
- Finish:  
 (blank): Gold over Nickel  
 T: Tin over Nickel
- Material:  
 (blank): Nylon 6T,UL94V-0  
 GWT: Nylon 6T,UL94V-0,GWT 750°C

**SPECIFICATIONS:**

Current Rating: 3A AC,DC  
 Voltage Rating: 250V AC,DC  
 Temperature Range: -25°C ~ +85°C  
 Contact Resistance: 20mΩ Max  
 Insulation Resistance: 1000MΩ Min  
 Withstanding Voltage: 1500V AC/minute  
 Pin Material: Brass/Gold over Nickel  
 Material: Nylon 6T,UL94V-0(Black)

Ordering Information & Dimensions

Circuits	Dim(mm)		Circuits	Dim(mm)		Circuits	Dim(mm)	
	A	B		A	B		A	B
2x2P	2.54	5.58	2x15P	35.56	38.60	2x28P	68.58	71.62
2x3P	5.08	8.12	2x16P	38.10	41.14	2x29P	71.12	74.16
2x4P	7.62	10.66	2x17P	40.64	43.68	2x30P	73.66	76.70
2x5P	10.16	13.20	2x18P	43.18	46.22	2x31P	76.20	79.24
2x6P	12.70	15.74	2x19P	45.72	48.76	2x32P	78.74	81.78
2x7P	15.24	18.28	2x20P	48.26	51.30	2x33P	81.28	84.32
2x8P	17.78	20.82	2x21P	50.80	53.84	2x34P	83.82	86.86
2x9P	20.32	23.36	2x22P	53.34	56.38	2x35P	86.36	89.40
2x10P	22.86	25.90	2x23P	55.88	58.92	2x36P	88.90	91.94
2x11P	25.40	28.44	2x24P	58.42	61.46	2x37P	91.44	94.48
2x12P	27.94	30.98	2x25P	60.96	64.00	2x38P	93.98	97.02
2x13P	30.48	33.52	2x26P	63.50	66.54	2x39P	96.52	99.56
2x14P	33.02	36.06	2x27P	66.04	69.08	2x40P	99.06	102.10



P.C.B LAYOUT



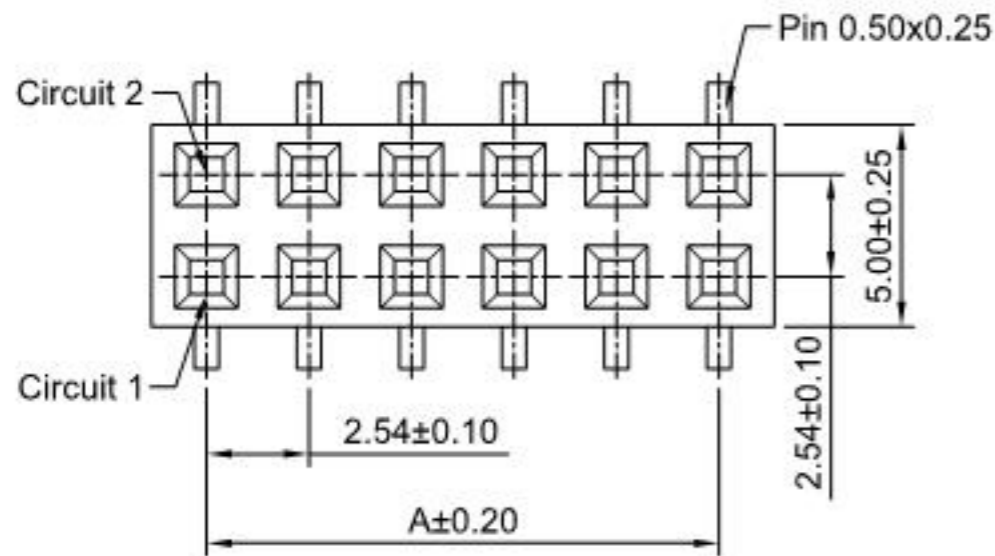
深圳市华德共创科技有限公司

Shenzhen Huade co-create Technology Co., LTD

TEL: 0755-27129737 FAX: 0755-29940187

-TOLERANCES- UNLESS OTHERWISE SPECIFIED 公差参数表				TITLE: 2.54mm Pitch 产品名称: 180° Box Header	
X.X	±0.30	X.X°	±3°	APPD: 核准:	XIE
X.XX	±0.30	X.XX°	±2°	CHECK: 校对:	WANG
X.XXX	±0.10	X.XXX°	±1°	DRAW: 绘图:	WANG
PART NO: 产品编号:		DATE		SCALE	UNIT
HDGC2541HWV-S-2xXP-U		2014-07-10		4:1	mm
				CODE NUMBER	A008

修订 REV	标记 MARK	修改摘要 REVISION DESCRIPTION	签名 SIGNATURE	日期 DATE
A0		NEW RELEASE	WANG	2014-07-10



**Ordering Information:**

HDGC2541HWV-S-F-2xXP-U -  $\frac{***}{1}$  -  $\frac{***}{2}$  -  $\frac{*}{3}$  -  $\frac{***}{4}$  -  $\frac{***}{5}$

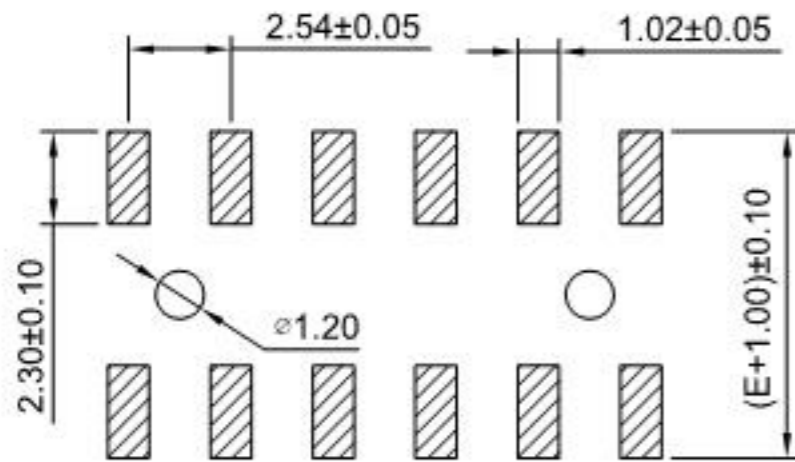
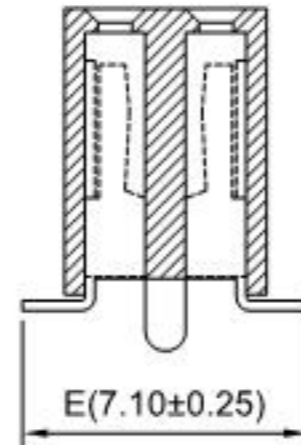
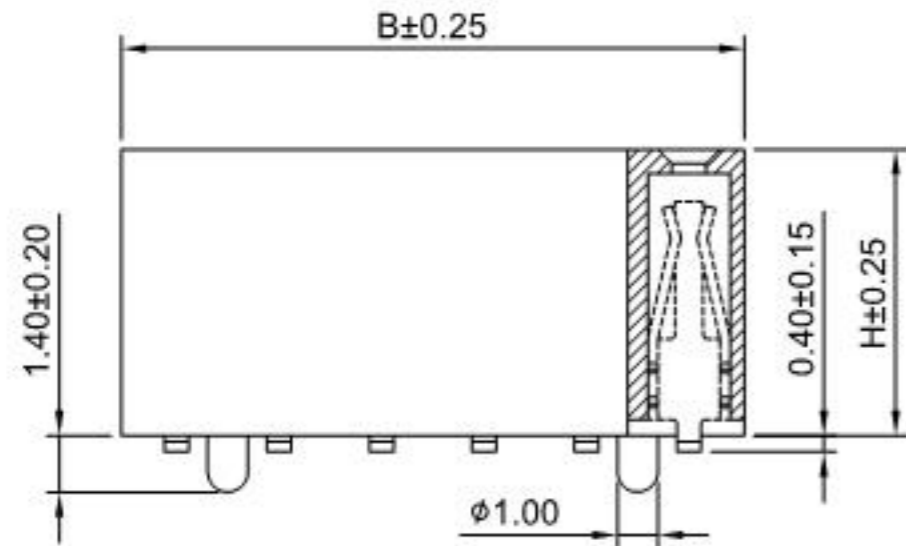
- Part No.
- Size(H):  
(blank): 8.50mm  
H71: 7.10mm(Pin 0.60x0.25)  
H50: 5.00mm(Pin 0.60x0.25)  
H35: 3.50mm(Pin 0.50x0.20,B:B-0.50mm)
- Size(E):  
(blank): 7.10mm(H85,H71,H35)  
E74: 7.40mm(H50)  
E66: 6.60mm(H50,H35)
- Finish:  
(blank): Gold over Nickel  
T: Tin over Nickel
- Material:  
(blank): Nylon 6T,UL94V-0  
GWT: Nylon 6T,UL94V-0,GWT 750°C

**SPECIFICATIONS:**

Current Rating: 3A AC,DC  
Voltage Rating: 250V AC,DC  
Temperature Range: -25°C ~ +85°C  
Contact Resistance: 20mΩ Max  
Insulation Resistance: 1000MΩ Min  
Withstanding Voltage: 1500V AC/minute  
Pin Material: Brass/Gold over Nickel  
Material: Nylon 6T,UL94V-0(Black)

**Ordering Information & Dimensions**

Circuits	Dim(mm)		Circuits	Dim(mm)		Circuits	Dim(mm)	
	A	B		A	B		A	B
2x2P	2.54	5.58	2x15P	35.56	38.60	2x28P	68.58	71.62
2x3P	5.08	8.12	2x16P	38.10	41.14	2x29P	71.12	74.16
2x4P	7.62	10.66	2x17P	40.64	43.68	2x30P	73.66	76.70
2x5P	10.16	13.20	2x18P	43.18	46.22	2x31P	76.20	79.24
2x6P	12.70	15.74	2x19P	45.72	48.76	2x32P	78.74	81.78
2x7P	15.24	18.28	2x20P	48.26	51.30	2x33P	81.28	84.32
2x8P	17.78	20.82	2x21P	50.80	53.84	2x34P	83.82	86.86
2x9P	20.32	23.36	2x22P	53.34	56.38	2x35P	86.36	89.40
2x10P	22.86	25.90	2x23P	55.88	58.92	2x36P	88.90	91.94
2x11P	25.40	28.44	2x24P	58.42	61.46	2x37P	91.44	94.48
2x12P	27.94	30.98	2x25P	60.96	64.00	2x38P	93.98	97.02
2x13P	30.48	33.52	2x26P	63.50	66.54	2x39P	96.52	99.56
2x14P	33.02	36.06	2x27P	66.04	69.08	2x40P	99.06	102.10



**P.C.B LAYOUT**



**深圳市华德共创科技有限公司**

Shenzhen Huade co-create Technology Co., LTD

TEL: 0755-27129737 FAX: 0755-29940187

-TOLERANCES- UNLESS OTHERWISE SPECIFIED 公差参数表				TITLE: 2.54mm Pitch 产品名称: 180° Box Header	
X.X	±0.30	X.X°	±3°	APPD: 核准:	XIE
X.XX	±0.30	X.XX°	±2°	CHECK: 校对:	WANG
X.XXX	±0.10	X.XXX°	±1°	DRAW: 绘图:	WANG
PART NO: 产品编号:		HDGC2541HWV-S-F-2xXP-U		DATE	2014-07-10
SCALE	4:1	UNIT	mm	CODE NUMBER	A008

修订 REV	标记 MARK	修改摘要 REVISION DESCRIPTION	签名 SIGNATURE	日期 DATE
A0		NEW RELEASE	WANG	2014-07-10

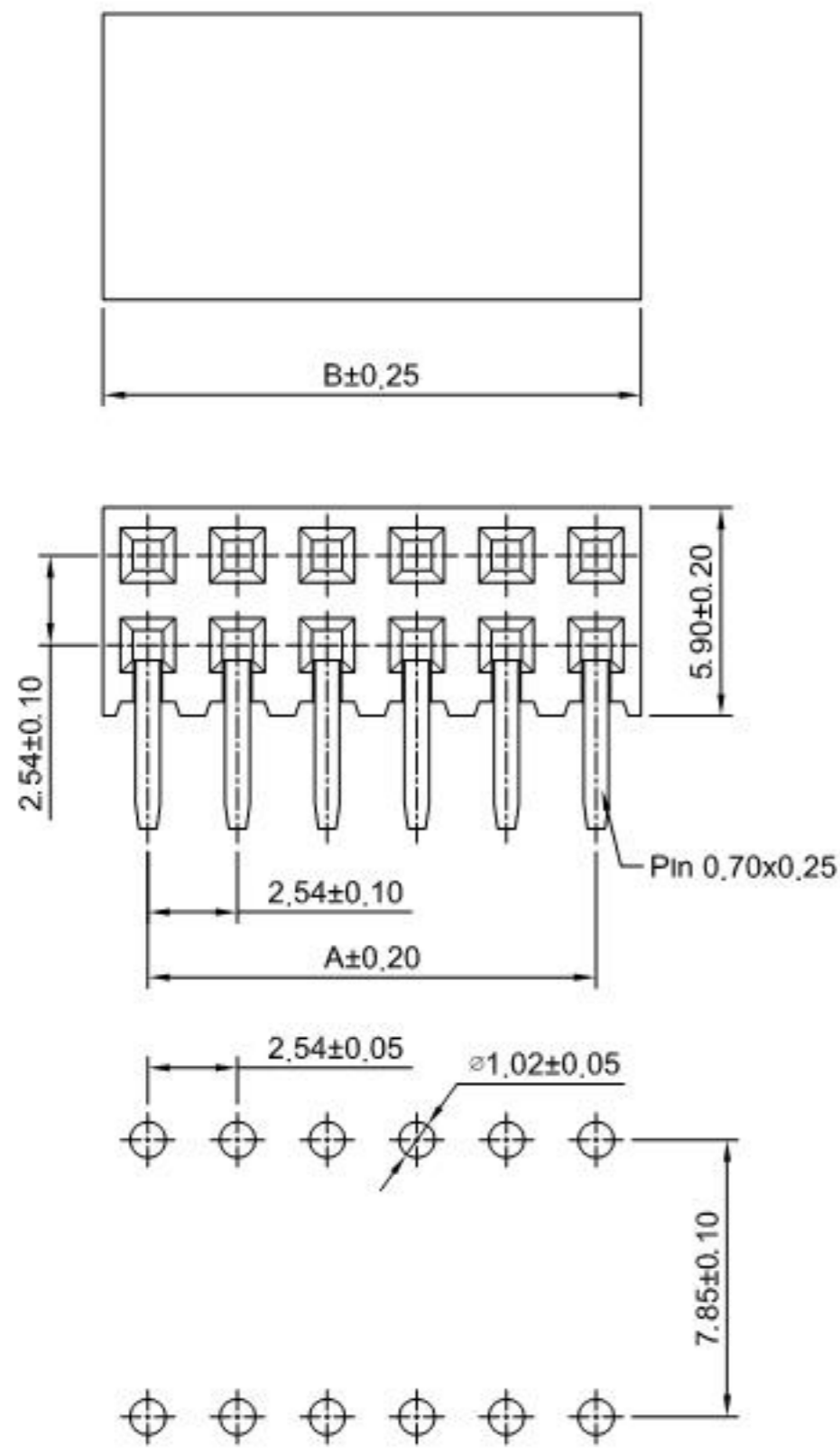
Ordering Information:  
 HDGC2541HWRA-2xXP -  $\frac{P}{2}$  -  $\frac{XXX}{3}$

- Part No.
- Finish:  
 (blank): Gold over Nickel  
 T: Tin over Nickel
- Material:  
 (blank): Nylon 6T, UL94V-0  
 GWT: Nylon 6T, UL94V-0, GWT 750°C

**SPECIFICATIONS:**  
 Current Rating: 3A AC, DC  
 Voltage Rating: 250V AC, DC  
 Temperature Range: -25°C ~ +85°C  
 Contact Resistance: 20mΩ Max  
 Insulation Resistance: 1000MΩ Min  
 Withstanding Voltage: 1500V AC/minute  
 Pin Material: Brass/Gold over Nickel  
 Material: Nylon 6T, UL94V-0(Black)

Ordering Information & Dimensions

Circuits	Dim(mm)		Circuits	Dim(mm)		Circuits	Dim(mm)	
	A	B		A	B		A	B
2x2P	2,54	5,08	2x15P	35,56	38,10	2x28P	68,58	71,12
2x3P	5,08	7,62	2x16P	38,10	40,64	2x29P	71,12	73,66
2x4P	7,62	10,16	2x17P	40,64	43,18	2x30P	73,66	76,20
2x5P	10,16	12,70	2x18P	43,18	45,72	2x31P	76,20	78,74
2x6P	12,70	15,24	2x19P	45,72	48,26	2x32P	78,74	81,28
2x7P	15,24	17,78	2x20P	48,26	50,80	2x33P	81,28	83,82
2x8P	17,78	20,32	2x21P	50,80	53,34	2x34P	83,82	86,36
2x9P	20,32	22,86	2x22P	53,34	55,88	2x35P	86,36	88,90
2x10P	22,86	25,40	2x23P	55,88	58,42	2x36P	88,90	91,44
2x11P	25,40	27,94	2x24P	58,42	60,96	2x37P	91,44	93,98
2x12P	27,94	30,48	2x25P	60,96	63,50	2x38P	93,98	96,52
2x13P	30,48	33,02	2x26P	63,50	66,04	2x39P	96,52	99,06
2x14P	33,02	35,56	2x27P	66,04	68,58	2x40P	99,06	101,60



P.C.B LAYOUT

**HDGC** 深圳市华德共创科技有限公司  
 Shenzhen Huade co-create Technology Co., LTD  
 TEL: 0755-27129737 FAX: 0755-29940187

-TOLERANCES- UNLESS OTHERWISE SPECIFIED 公差参数表				TITLE: 产品名称: 2.54mm Pitch 90° Box Header	
X.X	±0.30	X.X°	±3°	APPD: 核准:	XIE
X.XX	±0.30	X.XX°	±2°	CHECK: 校对:	WANG
X.XXX	±0.10	X.XXX°	±1°	DRAW: 绘图:	WANG
PART NO: 产品编号: HDGC2541HWRA-2xXP		DATE	SCALE	UNIT	CODE NUMBER
		2014-07-10	4:1	mm	A008

修订 REV	标记 MARK	修改摘要 REVISION DESCRIPTION	签名 SIGNATURE	日期 DATE
A0		NEW RELEASE	WANG	2014-07-10

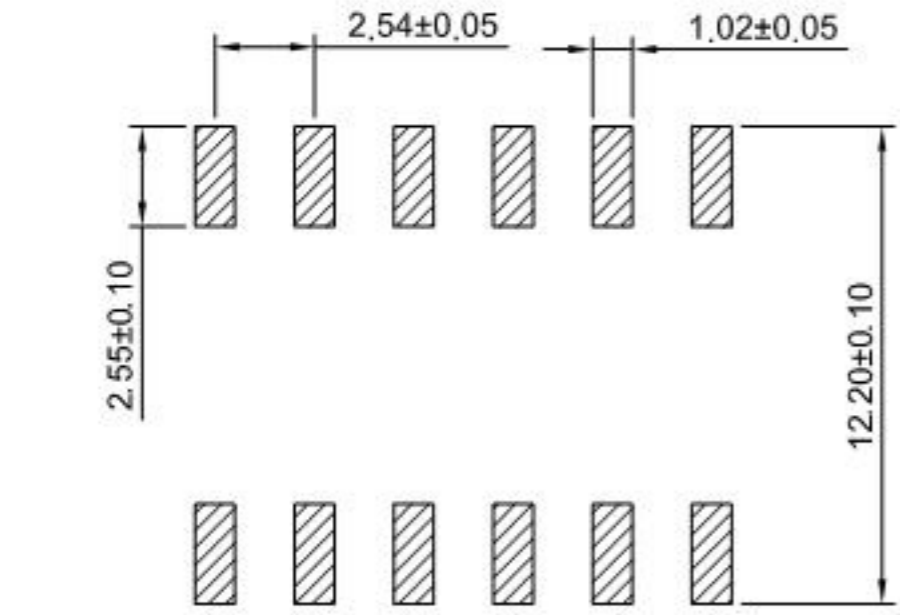
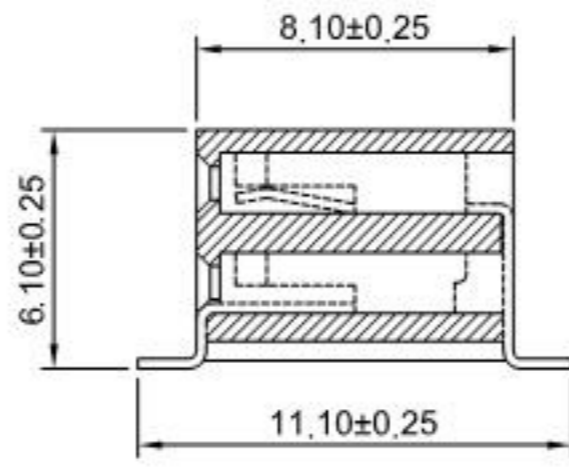
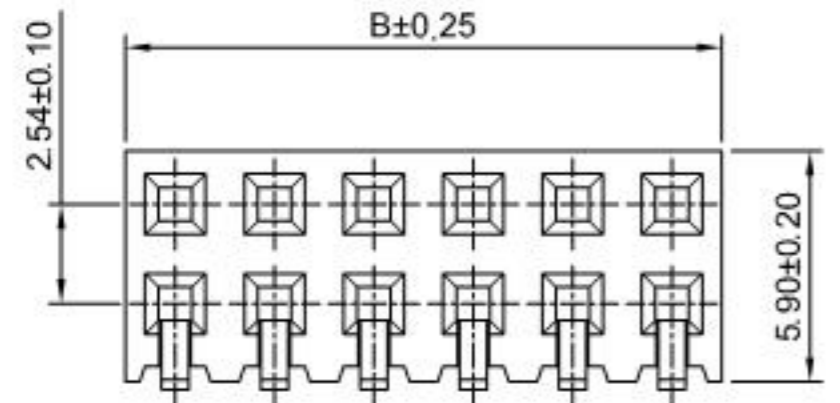
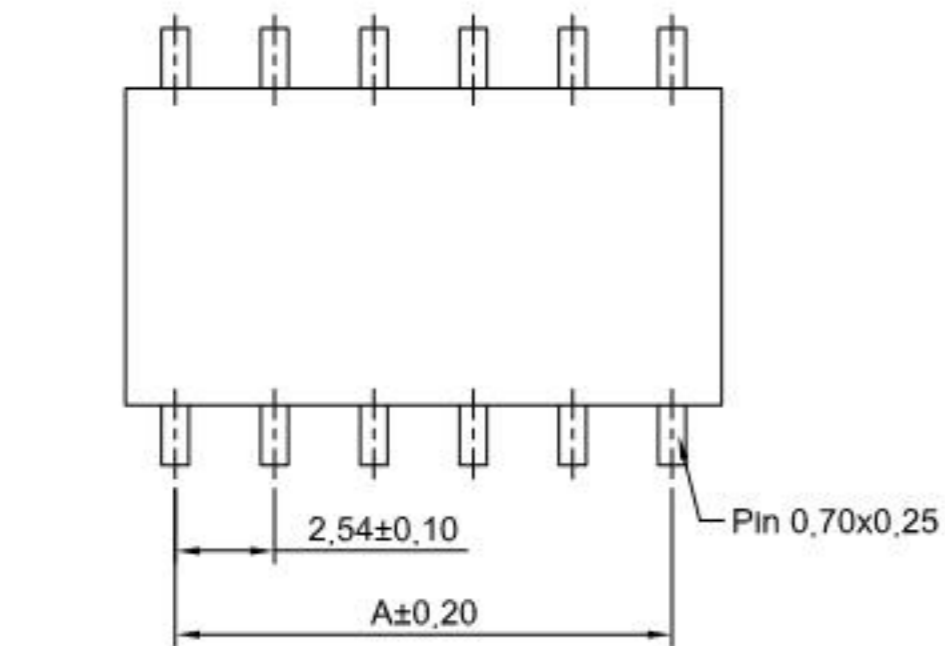
Ordering Information:  
 HDGC2541HWRA-S-2xXP -  $\frac{7}{2} - \frac{***}{3}$

- 1, Part No.
- 2, Finish:  
 (blank): Gold over Nickel  
 T: Tin over Nickel
- 3, Material:  
 (blank): Nylon 6T, UL94V-0  
 GWT: Nylon 6T, UL94V-0, GWT 750°C

**SPECIFICATIONS:**  
 Current Rating: 3A AC,DC  
 Voltage Rating: 250V AC,DC  
 Temperature Range: -25°C ~ +85°C  
 Contact Resistance: 20mΩ Max  
 Insulation Resistance: 1000MΩ Min  
 Withstanding Voltage: 1500V AC/minute  
 Pin Material: Brass/Gold over Nickel  
 Material: Nylon 6T, UL94V-0(Black)

Ordering Information & Dimensions

Circuits	Dim(mm)		Circuits	Dim(mm)		Circuits	Dim(mm)	
	A	B		A	B		A	B
2x2P	2.54	5.08	2x15P	35.56	38.10	2x28P	68.58	71.12
2x3P	5.08	7.62	2x16P	38.10	40.64	2x29P	71.12	73.66
2x4P	7.62	10.16	2x17P	40.64	43.18	2x30P	73.66	76.20
2x5P	10.16	12.70	2x18P	43.18	45.72	2x31P	76.20	78.74
2x6P	12.70	15.24	2x19P	45.72	48.26	2x32P	78.74	81.28
2x7P	15.24	17.78	2x20P	48.26	50.80	2x33P	81.28	83.82
2x8P	17.78	20.32	2x21P	50.80	53.34	2x34P	83.82	86.36
2x9P	20.32	22.86	2x22P	53.34	55.88	2x35P	86.36	88.90
2x10P	22.86	25.40	2x23P	55.88	58.42	2x36P	88.90	91.44
2x11P	25.40	27.94	2x24P	58.42	60.96	2x37P	91.44	93.98
2x12P	27.94	30.48	2x25P	60.96	63.50	2x38P	93.98	96.52
2x13P	30.48	33.02	2x26P	63.50	66.04	2x39P	96.52	99.06
2x14P	33.02	35.56	2x27P	66.04	68.58	2x40P	99.06	101.60

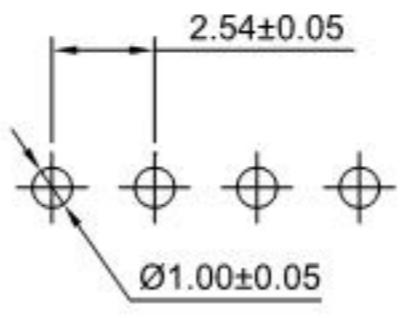
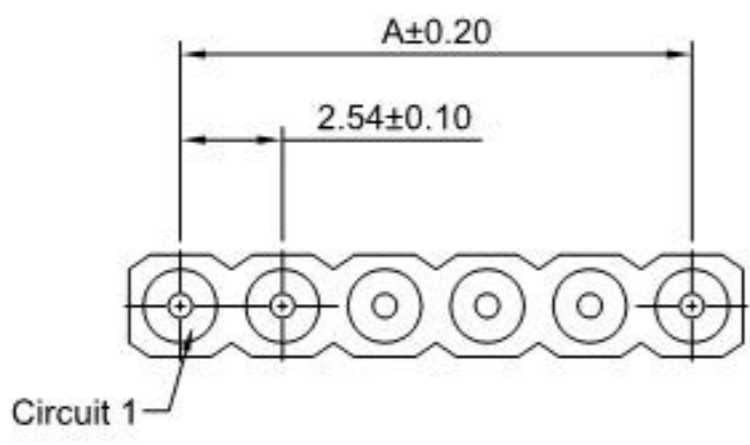


P.C.B LAYOUT

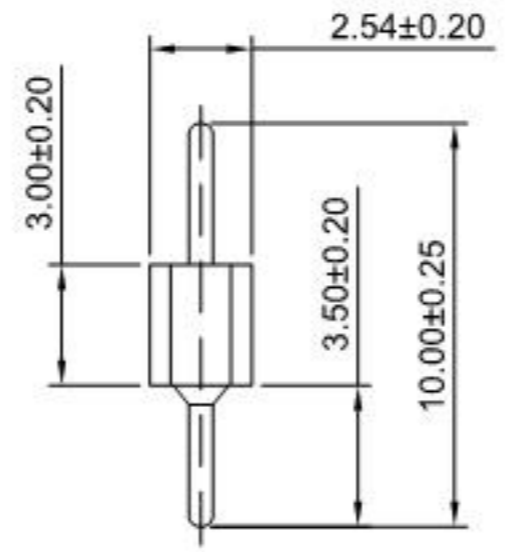
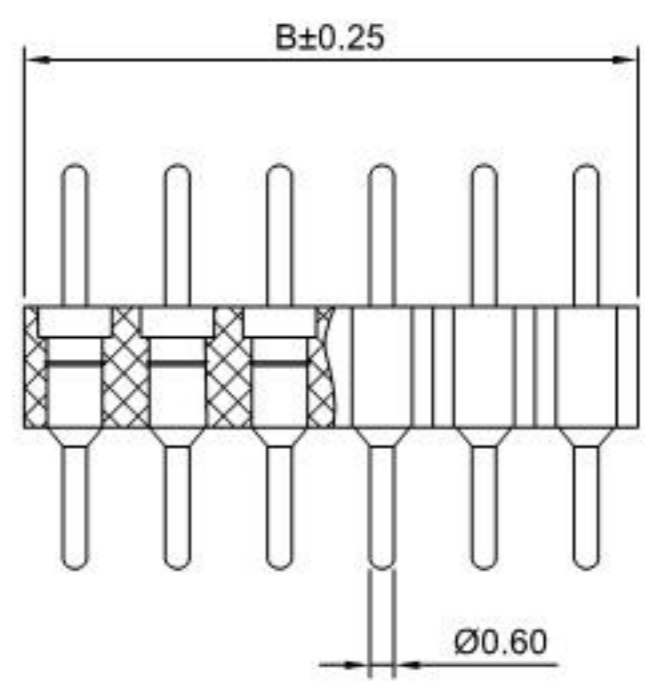
**HDGC** 深圳市华德共创科技有限公司  
 Shenzhen Huade co-create Technology Co., LTD  
 TEL: 0755-27129737 FAX: 0755-29940187

-TOLERANCES- UNLESS OTHERWISE SPECIFIED 公差参数表				TITLE: 产品名称: 2.54mm Pitch 90° Box Header	
X.X	±0.30	X.X°	±3°	APPD: 核准:	XIE
X.XX	±0.30	X.XX°	±2°	CHECK: 校对:	WANG
X.XXX	±0.10	X.XXX°	±1°	DRAW: 绘图:	WANG
PART NO: 产品编号:		DATE		SCALE	UNIT
HDGC2541HWRA-S-2xXP		2014-07-10		4:1	mm
				CODE NUMBER	A008

修订 REV	标记 MARK	修改摘要 REVISION DESCRIPTION	签名 SIGNATURE	日期 DATE
A0		NEW RELEASE	WANG	2014-07-10



P.C.B LAYOUT



**SPECIFICATIONS:**

Current Rating: 3A AC,DC  
Voltage Rating: 250V AC,DC  
Temperature Range: -25°C ~ +85°C  
Contact Resistance: 10mΩ Max  
Insulation Resistance: 1000MΩ Min  
Withstanding Voltage: 1500V AC/minute  
Pin Material: Brass/Gold over Nickel  
Material: PBT,UL94V-0 (Black)

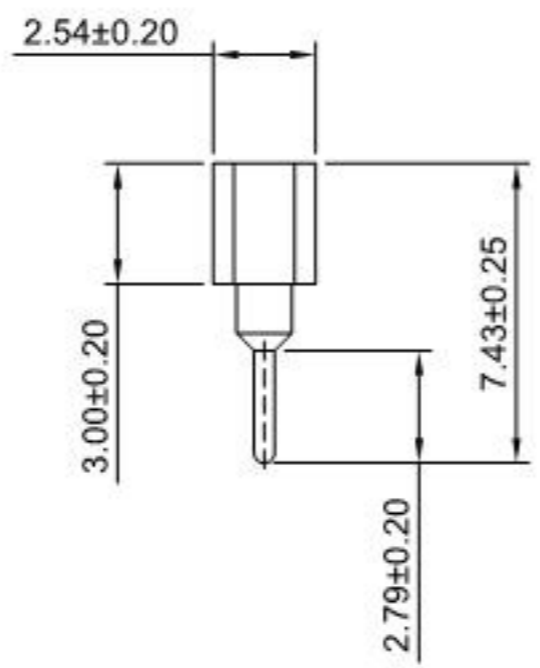
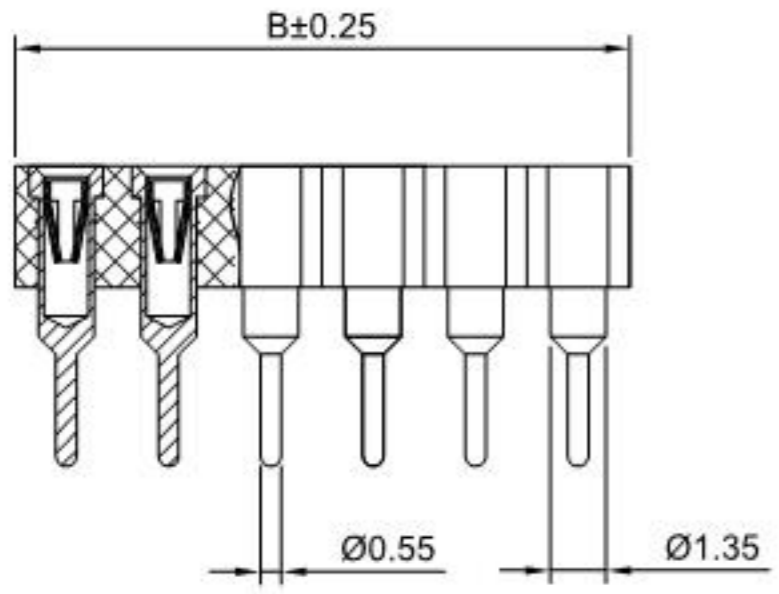
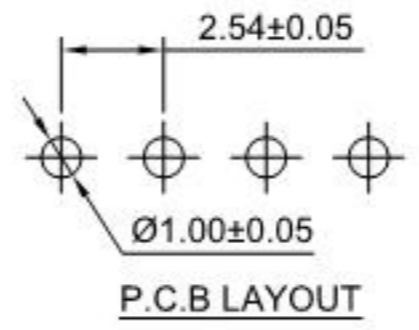
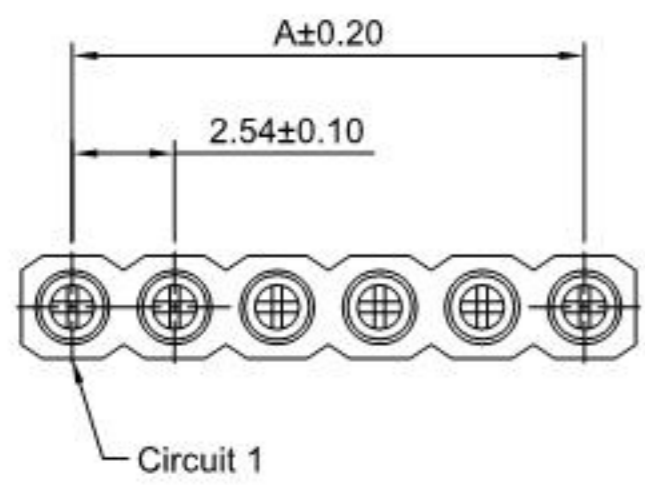
**Ordering Information & Dimensions**

Circuits	Dim(mm)		Circuits	Dim(mm)		Circuits	Dim(mm)	
	A	B		A	B		A	B
2P	2.54	5.08	15P	35.56	38.10	28P	68.58	71.12
3P	5.08	7.62	16P	38.10	40.64	29P	71.12	73.66
4P	7.62	10.16	17P	40.64	43.18	30P	73.66	76.20
5P	10.16	12.70	18P	43.18	45.72	31P	76.20	78.74
6P	12.70	15.24	19P	45.72	48.26	32P	78.74	81.28
7P	15.24	17.78	20P	48.26	50.80	33P	81.28	83.82
8P	17.78	20.32	21P	50.80	53.34	34P	83.82	86.36
9P	20.32	22.86	22P	53.34	55.88	35P	86.36	88.90
10P	22.86	25.40	23P	55.88	58.42	36P	88.90	91.44
11P	25.40	27.94	24P	58.42	60.96	37P	91.44	93.98
12P	27.94	30.48	25P	60.96	63.50	38P	93.98	96.52
13P	30.48	33.02	26P	63.50	66.04	39P	96.52	99.06
14P	33.02	35.56	27P	66.04	68.58	40P	99.06	101.60

**HDGC** 深圳市华德共创科技有限公司  
Shenzhen Huade co-create Technology Co., LTD  
TEL: 0755-27129737 FAX: 0755-29940187

-TOLERANCES- UNLESS OTHERWISE SPECIFIED 公差参数表						TITLE: 2.54mm Pitch 产品名称: 180° Pin Header			
X.X	±0.30	X.X°	±3°	APPD: 核准:	XIE	PART NO: 产品编号: HDGC2541WVM-XP			
X.XX	±0.30	X.XX°	±2°	CHECK: 校对:	WANG	DATE	SCALE	UNIT	CODE NUMBER
X.XXX	±0.10	X.XXX°	±1°	DRAW: 绘图:	WANG	2014-07-10	4:1	mm	A008

修订 REV	标记 MARK	修改摘要 REVISION DESCRIPTION	签名 SIGNATURE	日期 DATE
A0		NEW RELEASE	WANG	2014-07-10



**SPECIFICATIONS:**

Current Rating: 3A AC,DC  
Voltage Rating: 250V AC,DC  
Temperature Range: -25°C ~ +85°C  
Contact Resistance: 10mΩ Max  
Insulation Resistance: 1000MΩ Min  
Withstanding Voltage: 1500V AC/minute  
Pin Material: Brass/Gold over Nickel  
Material: PBT,UL94V-0 (Black)

**Ordering Information & Dimensions**

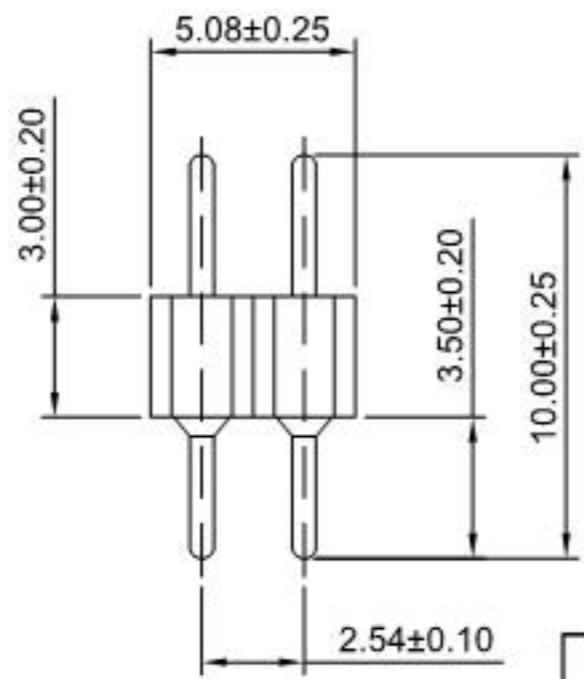
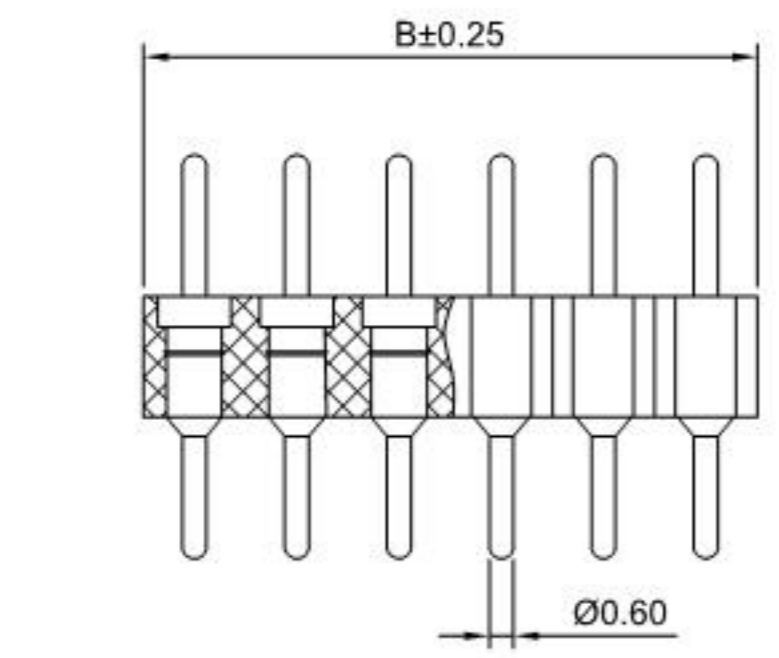
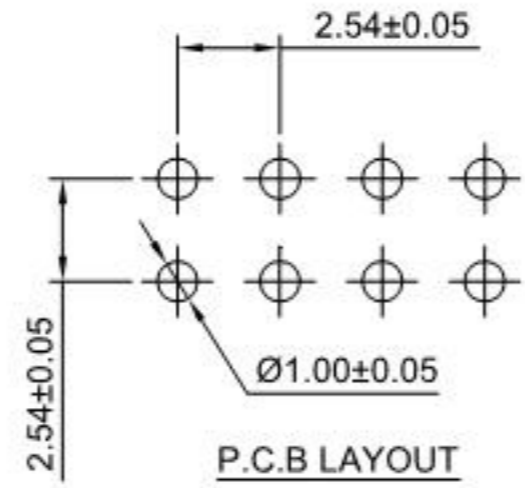
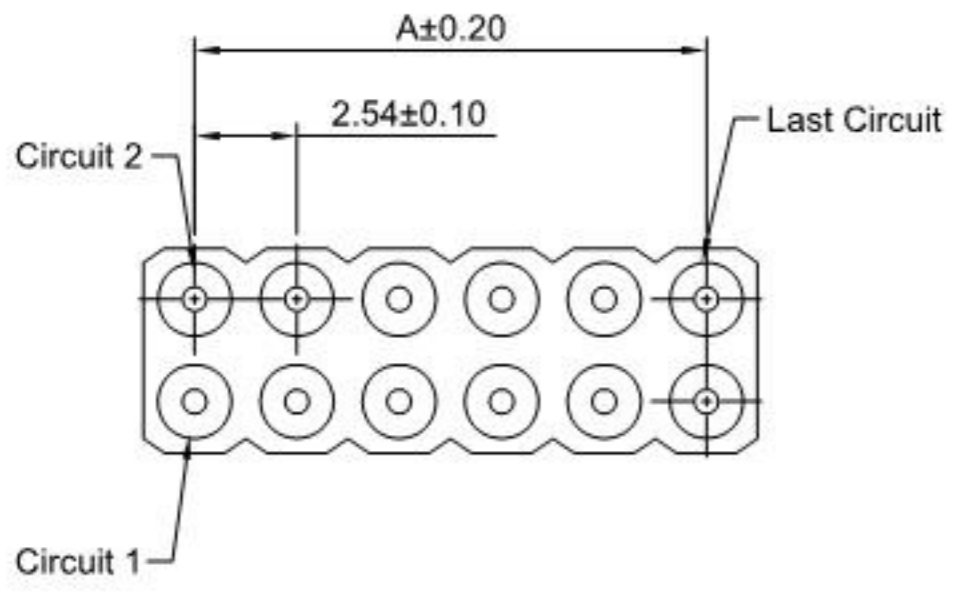
Circuits	Dim(mm)		Circuits	Dim(mm)		Circuits	Dim(mm)	
	A	B		A	B		A	B
2P	2.54	5.08	15P	35.56	38.10	28P	68.58	71.12
3P	5.08	7.62	16P	38.10	40.64	29P	71.12	73.66
4P	7.62	10.16	17P	40.64	43.18	30P	73.66	76.20
5P	10.16	12.70	18P	43.18	45.72	31P	76.20	78.74
6P	12.70	15.24	19P	45.72	48.26	32P	78.74	81.28
7P	15.24	17.78	20P	48.26	50.80	33P	81.28	83.82
8P	17.78	20.32	21P	50.80	53.34	34P	83.82	86.36
9P	20.32	22.86	22P	53.34	55.88	35P	86.36	88.90
10P	22.86	25.40	23P	55.88	58.42	36P	88.90	91.44
11P	25.40	27.94	24P	58.42	60.96	37P	91.44	93.98
12P	27.94	30.48	25P	60.96	63.50	38P	93.98	96.52
13P	30.48	33.02	26P	63.50	66.04	39P	96.52	99.06
14P	33.02	35.56	27P	66.04	68.58	40P	99.06	101.60



**深圳市华德共创科技有限公司**  
Shenzhen Huade co-create Technology Co., LTD  
TEL: 0755-27129737 FAX: 0755-29940187

-TOLERANCES- UNLESS OTHERWISE SPECIFIED 公差参数表						TITLE: 2.54mm Pitch 产品名称: 180° Female Header			
X.X	±0.30	X.X°	±3°	APPD: 核准:	XIE	PART NO: 产品编号: HDGC2541WVF-XP			
X.XX	±0.30	X.XX°	±2°	CHECK: 校对:	WANG	DATE	SCALE	UNIT	CODE NUMBER
X.XXX	±0.10	X.XXX°	±1°	DRAW: 绘图:	WANG	2014-07-10	4:1	mm	A008

修订 REV	标记 MARK	修改摘要 REVISION DESCRIPTION	签名 SIGNATURE	日期 DATE
A0		NEW RELEASE	WANG	2014-07-10



**SPECIFICATIONS:**

Current Rating: 3A AC,DC  
Voltage Rating: 250V AC,DC  
Temperature Range: -25°C ~ +85°C  
Contact Resistance: 10mΩ Max  
Insulation Resistance: 1000MΩ Min  
Withstanding Voltage: 1500V AC/minute  
Pin Material: Brass/Gold over Nickel  
Material: PBT, UL94V-0 (Black)

**Ordering Information & Dimensions**

Circuits	Dim(mm)		Circuits	Dim(mm)		Circuits	Dim(mm)	
	A	B		A	B		A	B
2x2P	2.54	5.08	2x15P	35.56	38.10	2x28P	68.58	71.12
2x3P	5.08	7.62	2x16P	38.10	40.64	2x29P	71.12	73.66
2x4P	7.62	10.16	2x17P	40.64	43.18	2x30P	73.66	76.20
2x5P	10.16	12.70	2x18P	43.18	45.72	2x31P	76.20	78.74
2x6P	12.70	15.24	2x19P	45.72	48.26	2x32P	78.74	81.28
2x7P	15.24	17.78	2x20P	48.26	50.80	2x33P	81.28	83.82
2x8P	17.78	20.32	2x21P	50.80	53.34	2x34P	83.82	86.36
2x9P	20.32	22.86	2x22P	53.34	55.88	2x35P	86.36	88.90
2x10P	22.86	25.40	2x23P	55.88	58.42	2x36P	88.90	91.44
2x11P	25.40	27.94	2x24P	58.42	60.96	2x37P	91.44	93.98
2x12P	27.94	30.48	2x25P	60.96	63.50	2x38P	93.98	96.52
2x13P	30.48	33.02	2x26P	63.50	66.04	2x39P	96.52	99.06
2x14P	33.02	35.56	2x27P	66.04	68.58	2x40P	99.06	101.60



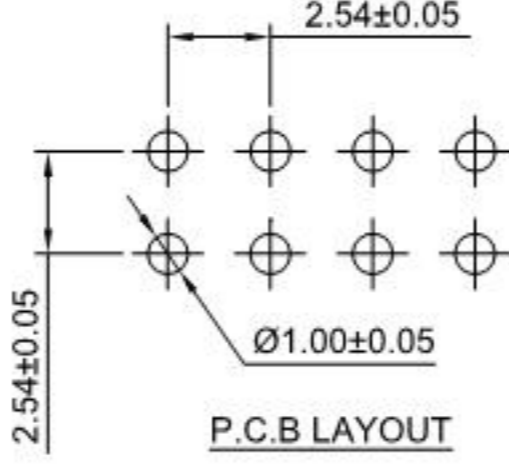
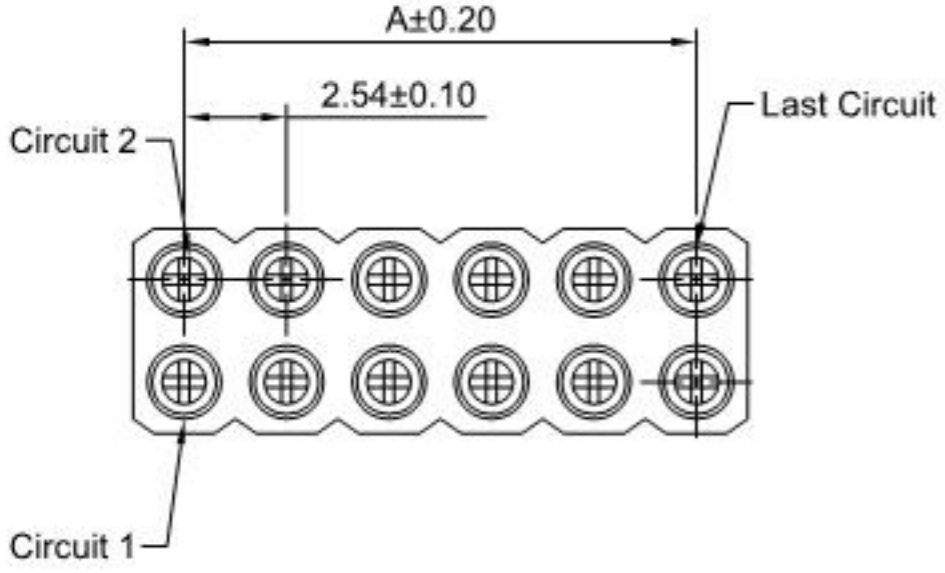
深圳市华德共创科技有限公司

Shenzhen Huade co-create Technology Co., LTD

TEL: 0755-27129737 FAX: 0755-29940187

-TOLERANCES- UNLESS OTHERWISE SPECIFIED 公差参数表						TITLE: 2.54mm Pitch 产品名称: 180° Pin Header			
X.X	±0.30	X.X°	±3°	APPD: 核准:	XIE	PART NO: 产品编号: HDGC2541WVM-2xXP			
X.XX	±0.30	X.XX°	±2°	CHECK: 校对:	WANG	DATE	SCALE	UNIT	CODE NUMBER
X.XXX	±0.10	X.XXX°	±1°	DRAW: 绘图:	WANG	2014-07-10	4:1	mm	A008

修订 REV	标记 MARK	修改摘要 REVISION DESCRIPTION	签名 SIGNATURE	日期 DATE
A0		NEW RELEASE	WANG	2014-07-10

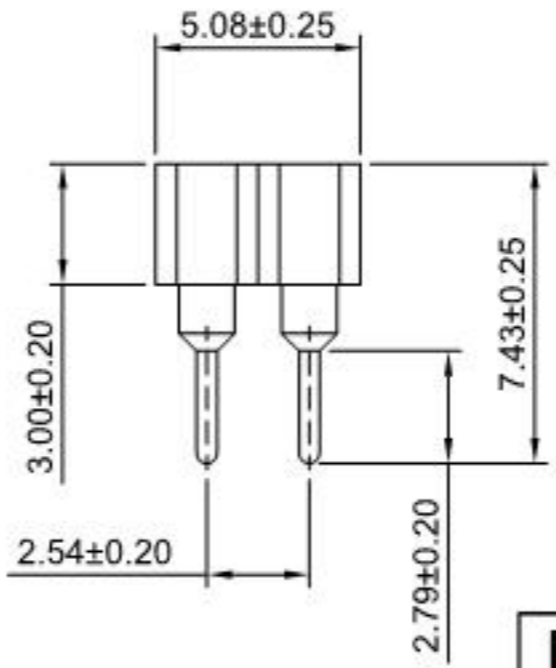
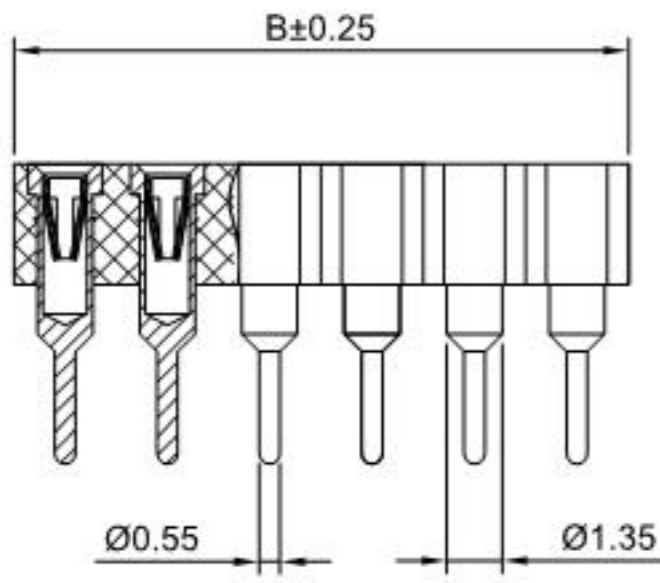


**SPECIFICATIONS:**

Current Rating: 3A AC,DC  
Voltage Rating: 250V AC,DC  
Temperature Range: -25°C ~ +85°C  
Contact Resistance: 10mΩ Max  
Insulation Resistance: 1000MΩ Min  
Withstanding Voltage: 1500V AC/minute  
Pin Material: Brass/Gold over Nickel  
Material: PBT, UL94V-0 (Black)

**Ordering Information & Dimensions**

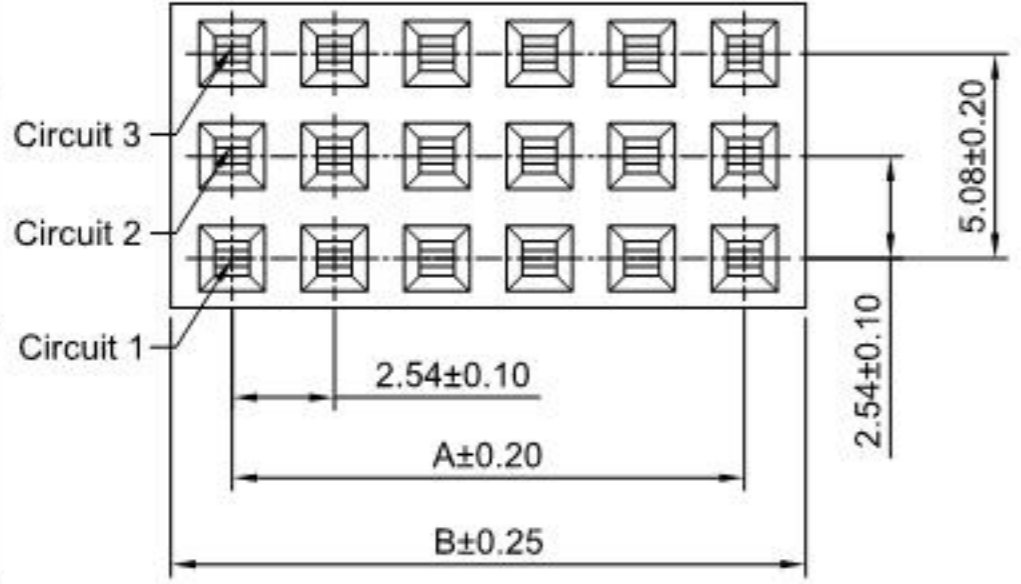
Circuits	Dim(mm)		Circuits	Dim(mm)		Circuits	Dim(mm)	
	A	B		A	B		A	B
2x2P	2.54	5.08	2x15P	35.56	38.10	2x28P	68.58	71.12
2x3P	5.08	7.62	2x16P	38.10	40.64	2x29P	71.12	73.66
2x4P	7.62	10.16	2x17P	40.64	43.18	2x30P	73.66	76.20
2x5P	10.16	12.70	2x18P	43.18	45.72	2x31P	76.20	78.74
2x6P	12.70	15.24	2x19P	45.72	48.26	2x32P	78.74	81.28
2x7P	15.24	17.78	2x20P	48.26	50.80	2x33P	81.28	83.82
2x8P	17.78	20.32	2x21P	50.80	53.34	2x34P	83.82	86.36
2x9P	20.32	22.86	2x22P	53.34	55.88	2x35P	86.36	88.90
2x10P	22.86	25.40	2x23P	55.88	58.42	2x36P	88.90	91.44
2x11P	25.40	27.94	2x24P	58.42	60.96	2x37P	91.44	93.98
2x12P	27.94	30.48	2x25P	60.96	63.50	2x38P	93.98	96.52
2x13P	30.48	33.02	2x26P	63.50	66.04	2x39P	96.52	99.06
2x14P	33.02	35.56	2x27P	66.04	68.58	2x40P	99.06	101.60



**HDGC** 深圳市华德共创科技有限公司  
Shenzhen Huade co-create Technology Co., LTD  
TEL: 0755-27129737 FAX: 0755-29940187

-TOLERANCES- UNLESS OTHERWISE SPECIFIED 公差参数表				TITLE: 2.54mm Pitch 产品名称: 180° Female Header	
X.X	±0.30	X.X°	±3°	APPD: 核准:	XIE
X.XX	±0.30	X.XX°	±2°	CHECK: 校对:	WANG
X.XXX	±0.10	X.XXX°	±1°	DRAW: 绘图:	WANG
PART NO: 产品编号:		HDGC2541WVF-2xXP		DATE	2014-07-10
SCALE		4:1	UNIT	mm	CODE NUMBER
A008					

修订 REV	标记 MARK	修改摘要 REVISION DESCRIPTION	签名 SIGNATURE	日期 DATE
A0		NEW RELEASE	WANG	2014-07-10



**Ordering Information:**

HDGC2541HWV-3xXP -  $\frac{****}{2}$  -  $\frac{*}{3}$  -  $\frac{***}{4}$

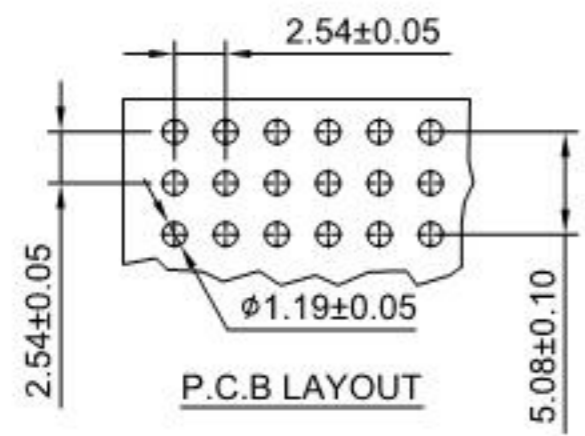
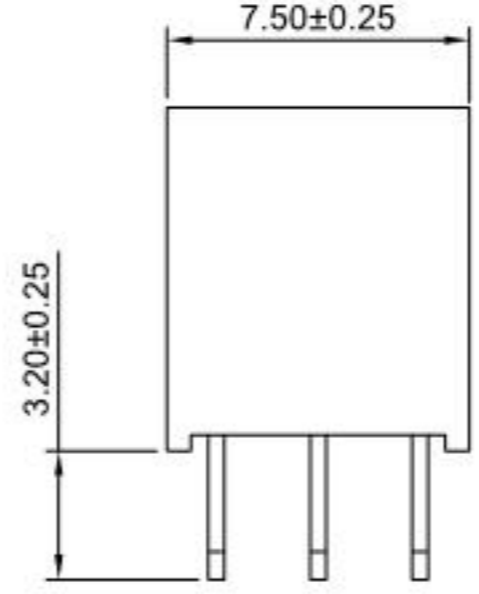
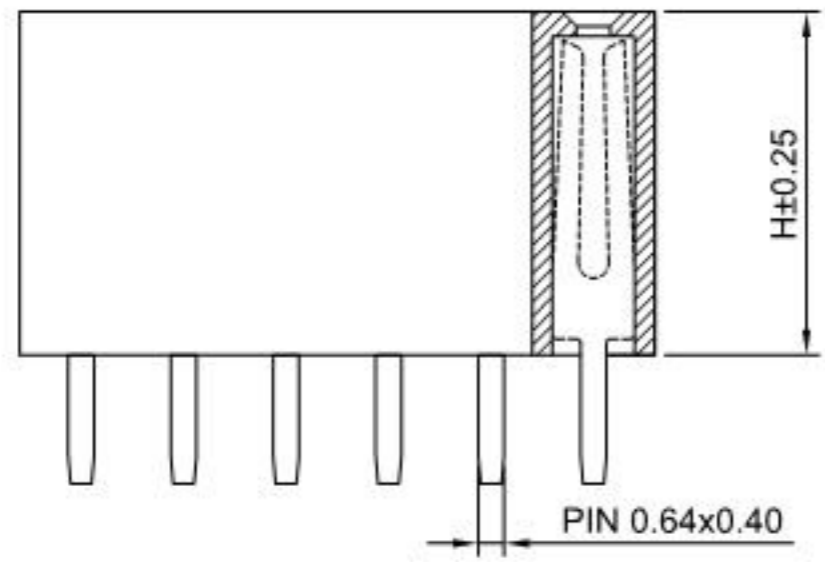
- Part No.
- Size(H):  
(blank): 8.50mm  
H71: 7.10mm
- Finish:  
(blank): Gold over Nickel  
T: Tin over Nickel
- Material:  
(blank): PBT,UL94V-0  
6T: Nylon 6T,UL94V-0  
GWT: Nylon 6T,UL94V-0,GWT 750°C

**SPECIFICATIONS:**

Current Rating: 3A AC,DC  
Voltage Rating: 250V AC,DC  
Temperature Range: -25°C ~ +85°C  
Contact Resistance: 20mΩ Max  
Insulation Resistance: 1000MΩ Min  
Withstanding Voltage: 1500V AC/minute  
Pin Material: Brass/Gold over Nickel  
Material: PBT,UL94V-0(Black)

**Ordering Information & Dimensions**

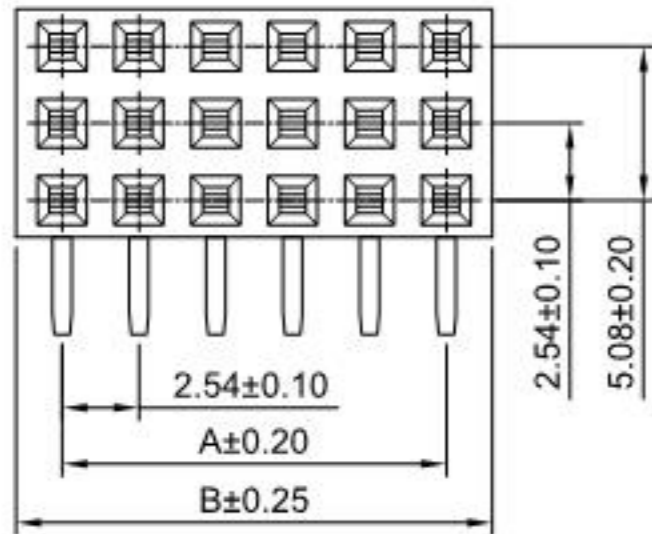
Circuits	Dim(mm)		Circuits	Dim(mm)		Circuits	Dim(mm)	
	A	B		A	B		A	B
3x2P	2.54	5.58	3x15P	35.56	38.60	3x28P	68.58	71.62
3x3P	5.08	8.12	3x16P	38.10	41.14	3x29P	71.12	74.16
3x4P	7.62	10.66	3x17P	40.64	43.68	3x30P	73.66	76.70
3x5P	10.16	13.20	3x18P	43.18	46.22	3x31P	76.20	79.24
3x6P	12.70	15.74	3x19P	45.72	48.76	3x32P	78.74	81.78
3x7P	15.24	18.28	3x20P	48.26	51.30	3x33P	81.28	84.32
3x8P	17.78	20.82	3x21P	50.80	53.84	3x34P	83.82	86.86
3x9P	20.32	23.36	3x22P	53.34	56.38	3x35P	86.36	89.40
3x10P	22.86	25.90	3x23P	55.88	58.92	3x36P	88.90	91.94
3x11P	25.40	28.44	3x24P	58.42	61.46	3x37P	91.44	94.48
3x12P	27.94	30.98	3x25P	60.96	64.00	3x38P	93.98	97.02
3x13P	30.48	33.52	3x26P	63.50	66.54	3x39P	96.52	99.56
3x14P	33.02	36.06	3x27P	66.04	69.08	3x40P	99.06	102.20



**HDGC** 深圳市华德共创科技有限公司  
Shenzhen Huade co-create Technology Co., LTD  
TEL: 0755-27129737 FAX: 0755-29940187

-TOLERANCES- UNLESS OTHERWISE SPECIFIED 公差参数表				TITLE: 2.54mm Pitch 产品名称: 180° Box Header	
X.X	±0.30	X.X°	±3°	APPD: 核准:	XIE
X.XX	±0.30	X.XX°	±2°	CHECK: 校对:	WANG
X.XXX	±0.10	X.XXX°	±1°	DRAW: 绘图:	WANG
PART NO: 产品编号:		DATE		SCALE	UNIT
HDGC2541HWV-3xXP		2014-07-10		4:1	mm
CODE NUMBER				A008	

修订 REV	标记 MARK	修改摘要 REVISION DESCRIPTION	签名 SIGNATURE	日期 DATE
A0		NEW RELEASE	WANG	2014-07-10



**Ordering Information:**

HDGC2541HWR-3xXP - \* - \*\*\*  
1 2 3

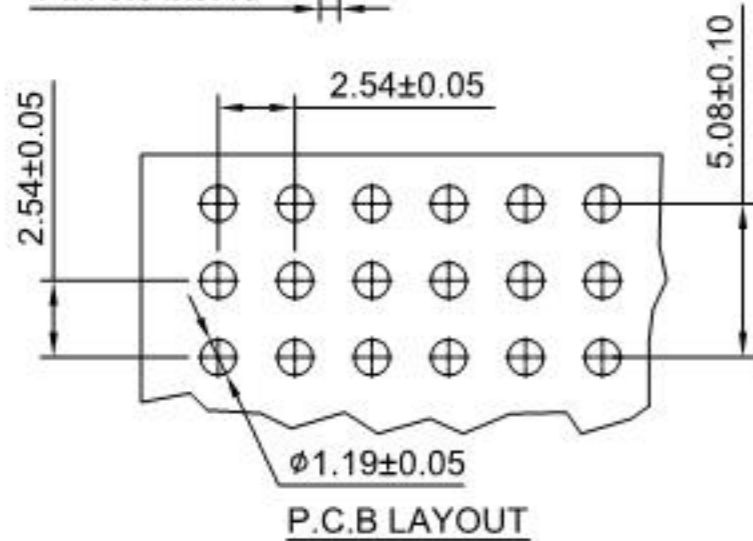
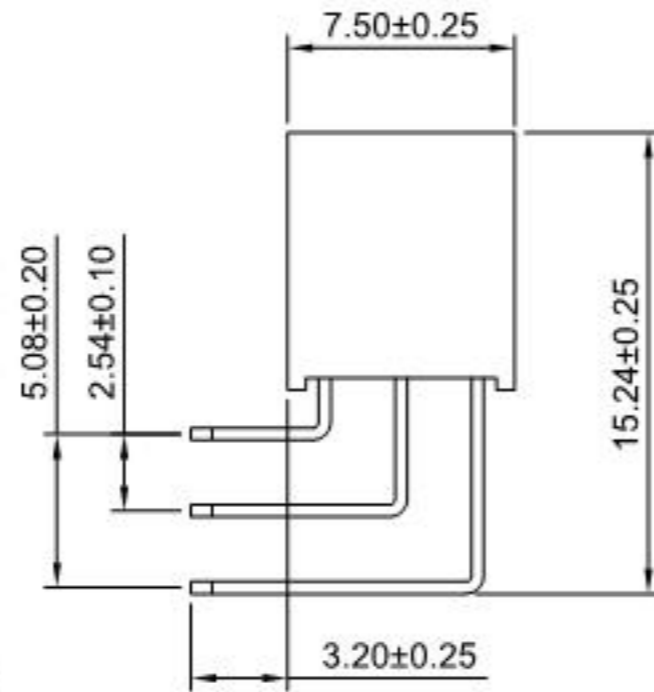
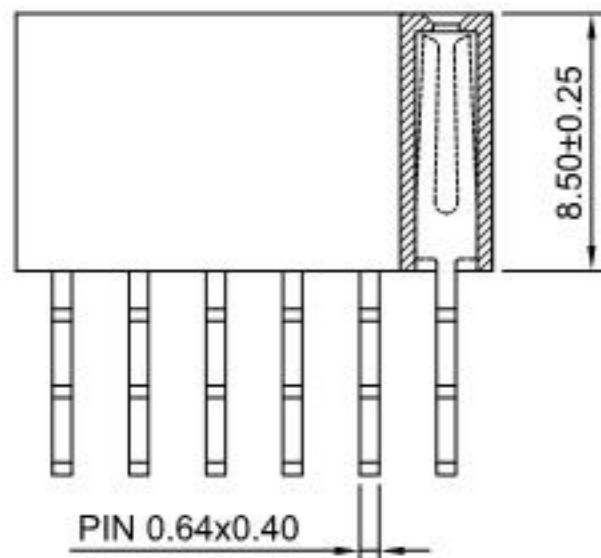
- Part No.
- Finish:  
(blank): Gold over Nickel  
T: Tin over Nickel
- Material:  
(blank): PBT,UL94V-0  
6T: Nylon 6T,UL94V-0  
GWT: Nylon 6T,UL94V-0,GWT 750°C

**SPECIFICATIONS:**

Current Rating: 3A AC,DC  
Voltage Rating: 250V AC,DC  
Temperature Range: -25°C ~ +85°C  
Contact Resistance: 20mΩ Max  
Insulation Resistance: 1000MΩ Min  
Withstanding Voltage: 1500V AC/minute  
Pin Material: Brass/Gold over Nickel  
Material: PBT,UL94V-0(Black)

**Ordering Information & Dimensions**

Circuits	Dim(mm)		Circuits	Dim(mm)		Circuits	Dim(mm)	
	A	B		A	B		A	B
3x2P	2.54	5.58	3x15P	35.56	38.60	3x28P	68.58	71.62
3x3P	5.08	8.12	3x16P	38.10	41.14	3x29P	71.12	74.16
3x4P	7.62	10.66	3x17P	40.64	43.68	3x30P	73.66	76.70
3x5P	10.16	13.20	3x18P	43.18	46.22	3x31P	76.20	79.24
3x6P	12.70	15.74	3x19P	45.72	48.76	3x32P	78.74	81.78
3x7P	15.24	18.28	3x20P	48.26	51.30	3x33P	81.28	84.32
3x8P	17.78	20.82	3x21P	50.80	53.84	3x34P	83.82	86.86
3x9P	20.32	23.36	3x22P	53.34	56.38	3x35P	86.36	89.40
3x10P	22.86	25.90	3x23P	55.88	58.92	3x36P	88.90	91.94
3x11P	25.40	28.44	3x24P	58.42	61.46	3x37P	91.44	94.48
3x12P	27.94	30.98	3x25P	60.96	64.00	3x38P	93.98	97.02
3x13P	30.48	33.52	3x26P	63.50	66.54	3x39P	96.52	99.56
3x14P	33.02	36.06	3x27P	66.04	69.08	3x40P	99.06	102.20



深圳市华德共创科技有限公司

Shenzhen Huade co-create Technology Co., LTD

TEL: 0755-27129737 FAX: 0755-29940187

-TOLERANCES- UNLESS OTHERWISE SPECIFIED 公差参数表				TITLE: 2.54mm Pitch 产品名称: 90° Box Header	
X.X	±0.30	X.X°	±3°	APPD: 核准:	XIE
X.XX	±0.30	X.XX°	±2°	CHECK: 校对:	WANG
X.XXX	±0.10	X.XXX°	±1°	DRAW: 绘图:	WANG
PART NO: 产品编号:		HDGC2541HWR-3xXP		DATE	2014-07-10
SCALE		3:1		UNIT	mm
CODE NUMBER		A008			