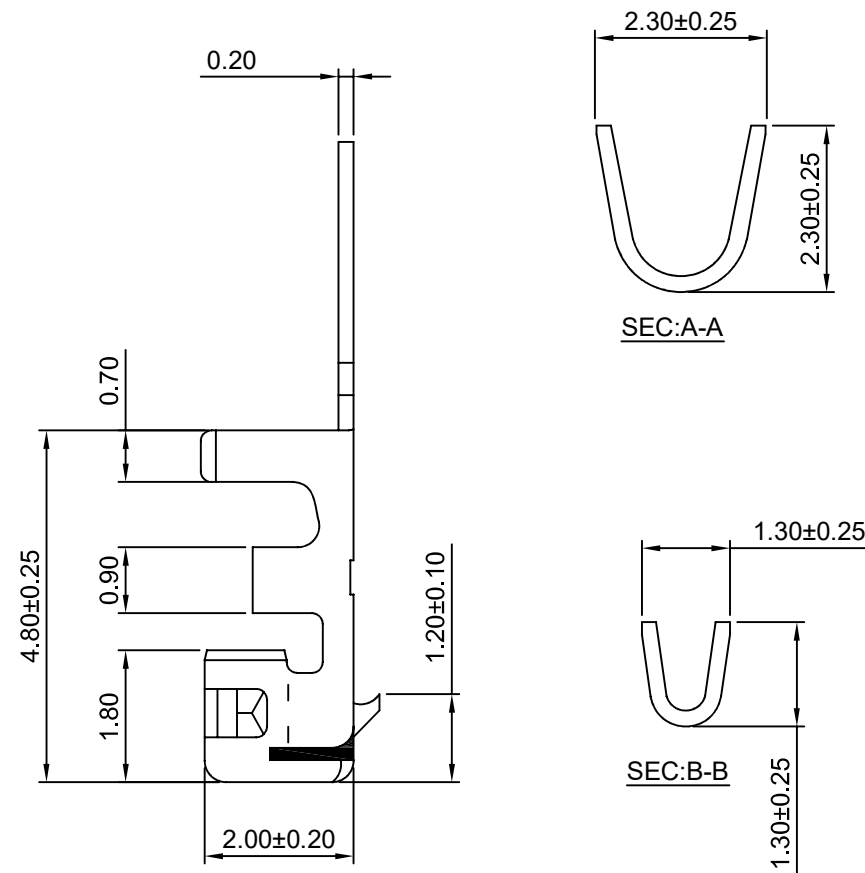
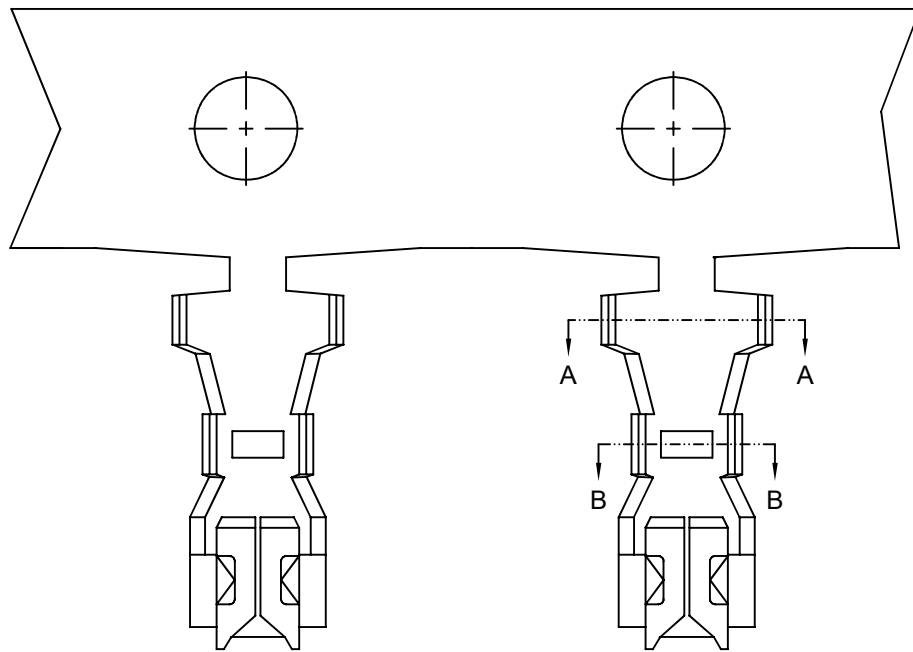


修订 REV	标记 MARK	修改摘要 REVISION DESCRIPTION	签名 SIGNATURE	日期 DATE
AO		NEW RELEASE	WANG	2010-10-20



Ordering information & Specifications

Unit:mm

Part No	Wire Range	Insultion O.D.	Material	Finish	Qty/reel
HDGC2010-TP	AWG#24-#30	1.40mm(max)	Phosphor Bronze	Tin over Nickel	10,000 PCS
HDGC2010-GP	AWG#24-#30	1.40mm(max)	Phosphor Bronze	Gold over Nickel	10,000 PCS

Optional Gold plating available but MOQ requested



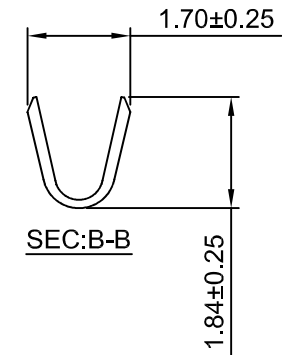
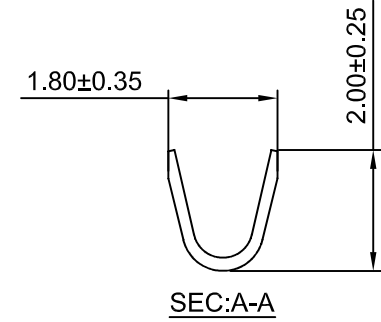
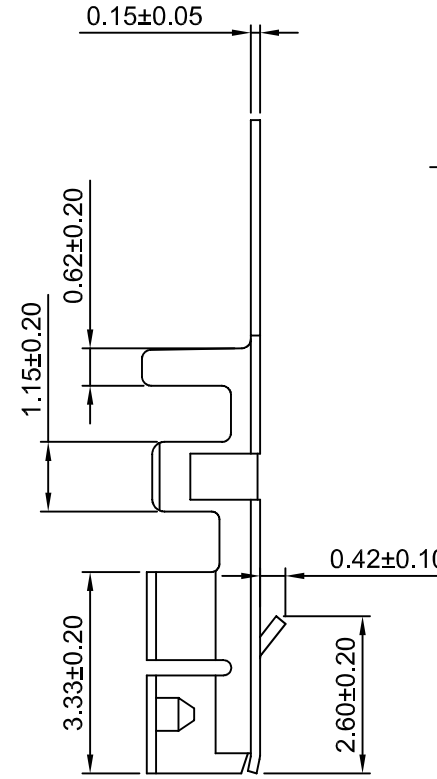
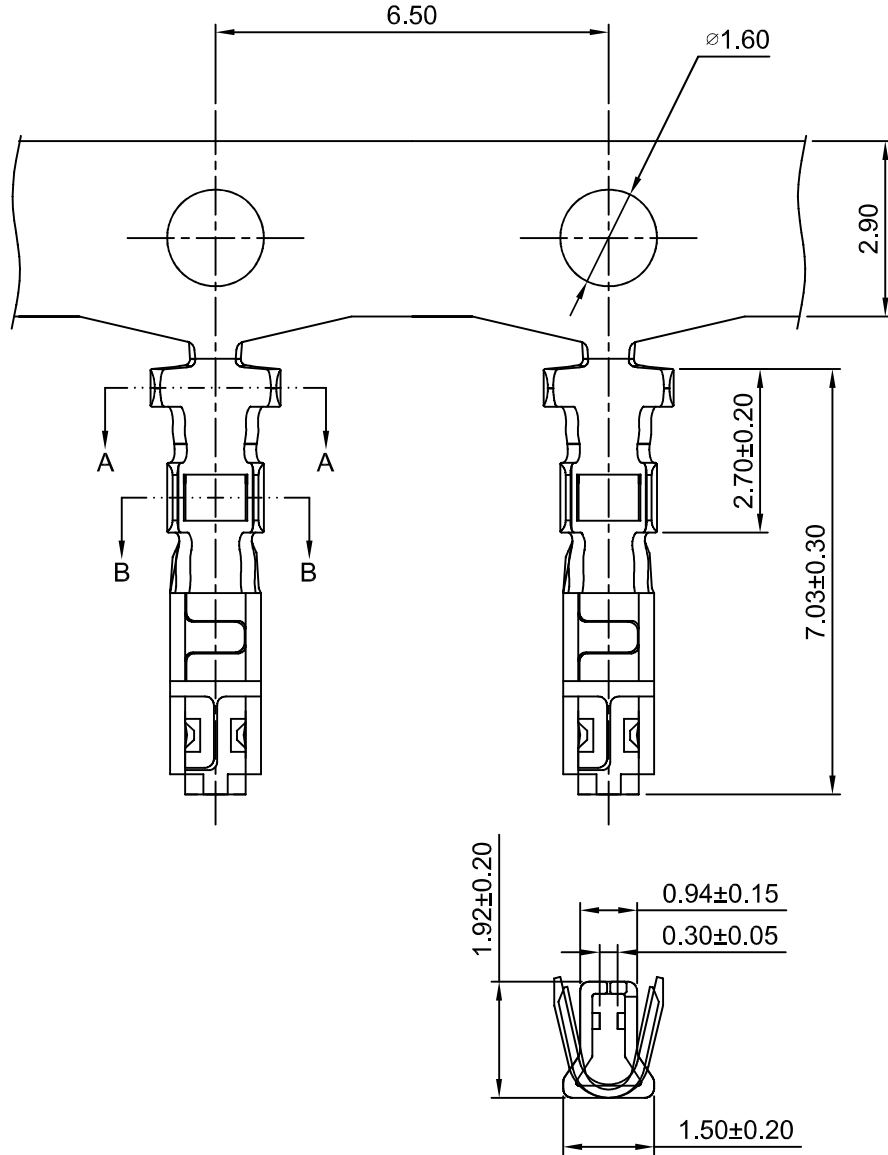
深圳市华德共创科技有限公司

Shenzhen Huade co-create Technology Co.,LTD

TEL : 0755-27129737 FAX : 0755-29940187

-TOLERANCES- UNLESS OTHERWISE SPECIFIED 公差参数表						TITLE: 2.00mm Pitch 产品名称: Crimp Terminal			
X.X	±0.30	X.X°	±3°	APPD: 核准:	XIE	PART NO: 产品编号: HDGC2010-T			
X.XX	±0.30	X.XX°	±2°	CHECK: 校对:	WANG	DATE	SCALE	UNIT	CODE NUMBER
X.XXX	±0.10	X.XXX°	±1°	DRAW: 绘图:	WANG	2010-10-20	10:1	mm	A008

修订 REV	标记 MARK	修改摘要 REVISION DESCRIPTION	签名 SIGNATURE	日期 DATE
AO		NEW RELEASE	WANG	2020-10-20



Ordering information & Specifications

Unit:mm

Part No	Wire Range	Insulation O.D.	Material	Finish	Qty/reel
HDGC2010-TP-D	AWG#22	1.50mm(max)	Phosphor Bronze	Tin over Nickel	10,000 PCS
HDGC2010-GP-D	AWG#22	1.50mm(max)	Phosphor Bronze	Gold over Nickel	10,000 PCS



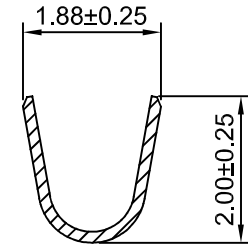
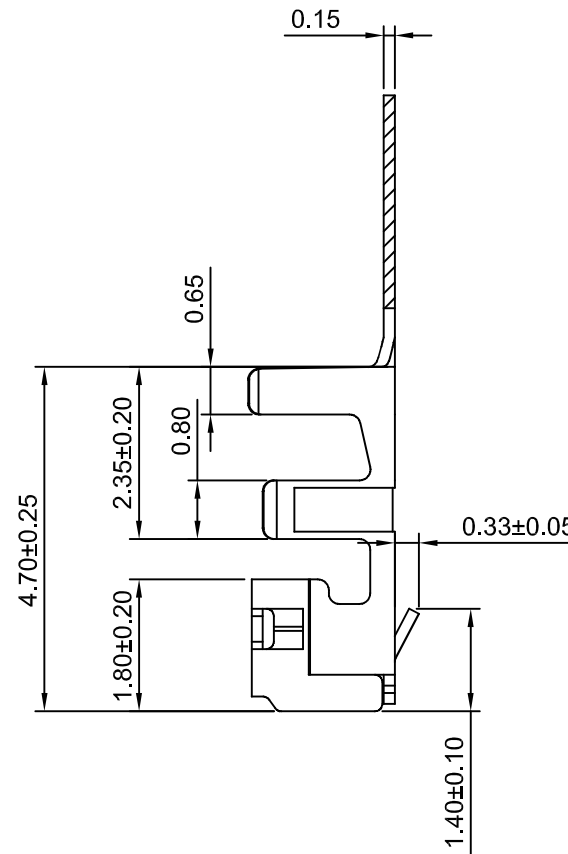
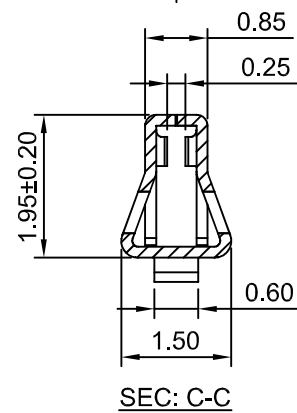
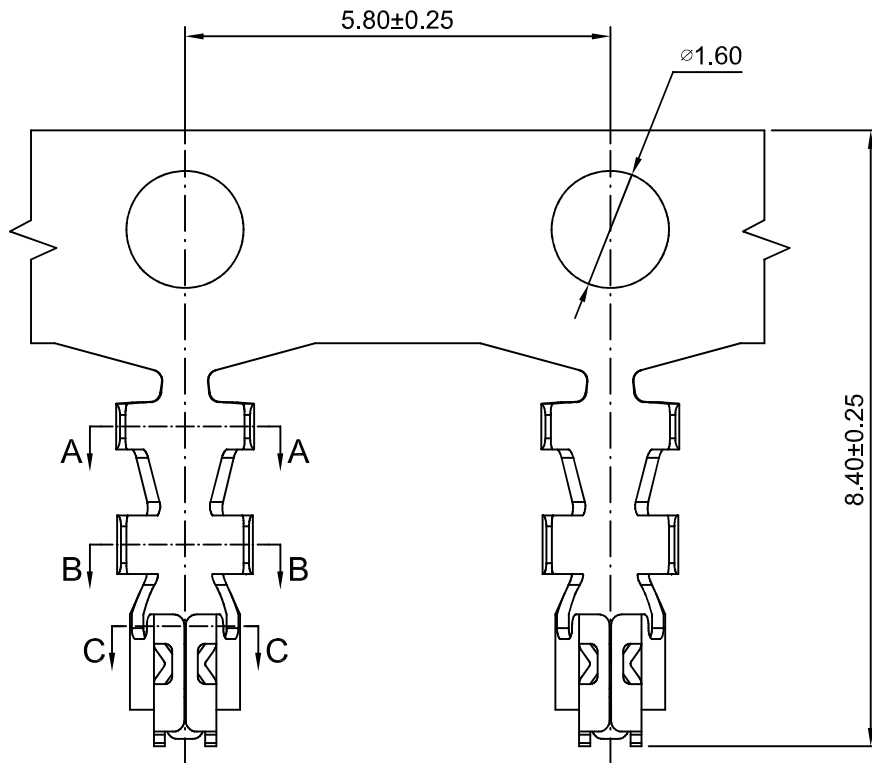
深圳市华德共创科技有限公司

Shenzhen Huade co-create Technology Co.,LTD

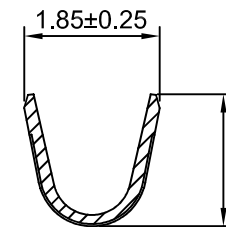
TEL : 0755-27129737 FAX : 0755-29940187

-TOLERANCES- UNLESS OTHERWISE SPECIFIED 公差参数表				TITLE: 产品名称: 2.00mm Pitch Crimp Terminal	
X.X	±0.30	X.X°	±3°	APPD: 核准: XIE	PART NO: 产品编号: HDGC2010-T-D
X.XX	±0.30	X.XX°	±2°	CHECK: 校对: WANG	DATE
X.XXX	±0.10	X.XXX°	±1°	DRAW: 绘图: WANG	SCALE
					UNIT
					CODE NUMBER
					A008

修订 REV	标记 MARK	修改摘要 REVISION DESCRIPTION	签名 SIGNATURE	日期 DATE
AO		NEW RELEASE	WANG	2020-10-20



SEC: A-A



SEC: B-B

Ordering information & Specifications

Unit:mm

Part No	Wire Range	Insultion O.D.	Material	Finish	Qty/reel
HDGC2010-TP-H	AWG#22-#30	1.40mm(max)	Phosphor Bronze	Tin over Nickel	10,000 PCS
HDGC2010-GP-H	AWG#22-#30	1.40mm(max)	Phosphor Bronze	Gold over Nickel	10,000 PCS



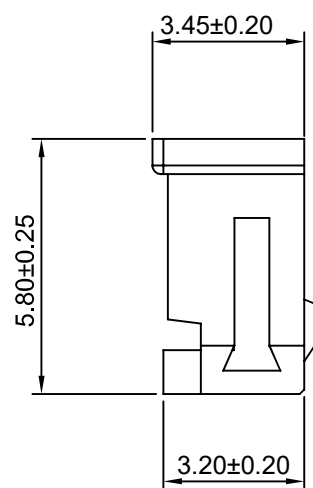
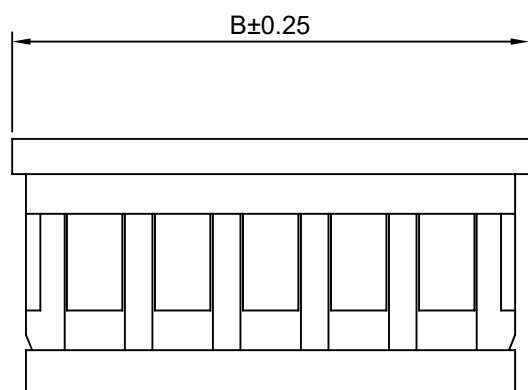
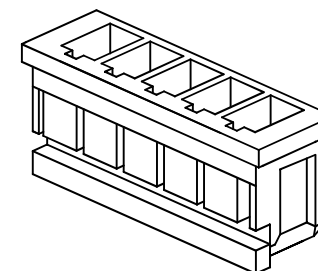
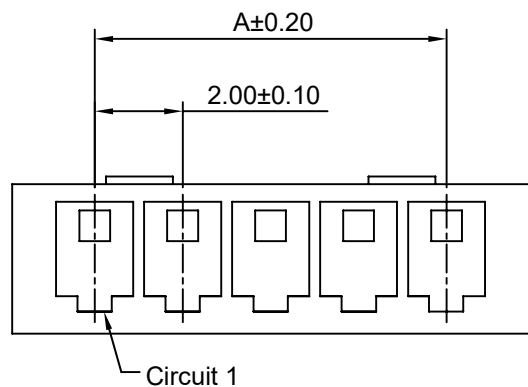
深圳市华德共创科技有限公司

Shenzhen Huade co-create Technology Co.,LTD

TEL : 0755-27129737 FAX : 0755-29940187

-TOLERANCES- UNLESS OTHERWISE SPECIFIED 公差参数表						TITLE: 2.00mm Pitch 产品名称: Crimp Terminal			
X.X	±0.30	X.X°	±3°	APPD: 核准:	XIE	PART NO: 产品编号: HDGC2010-T-H			
X.XX	±0.30	X.XX°	±2°	CHECK: 校对:	WANG	DATE	SCALE	UNIT	CODE NUMBER
X.XXX	±0.10	X.XXX°	±1°	DRAW: 绘图:	WANG	2020-10-20	10:1	mm	A008

修订 REV	标记 MARK	修改摘要 REVISION DESCRIPTION	签名 SIGNATURE	日期 DATE
AO		NEW RELEASE	WANG	2010-10-20



Ordering Information & Dimensions

Circuits	Dimensions(mm)		Circuits	Dimensions(mm)	
	A	B		A	B
2P	2.00	5.80	11P	20.00	23.80
3P	4.00	7.80	12P	22.00	25.80
4P	6.00	9.80	13P	24.00	27.80
5P	8.00	11.80	14P	26.00	29.80
6P	10.00	13.80	15P	28.00	31.80
7P	12.00	15.80	16P	30.00	33.80
8P	14.00	17.80	17P	32.00	35.80
9P	16.00	19.80	18P	34.00	37.80
10P	18.00	21.80			

SPECIFICATIONS:

Current Rating: 2A AC,DC
Voltage Rating: 100V AC,DC
Temperature Range: -25°C ~ +85°C
Contact Resistance: 10mΩ Max.
Insulation Resistance: 1000MΩ Min.
Withstanding Voltage: 800V AC/minute
Material: Nylon 66,UL94V-0(White)

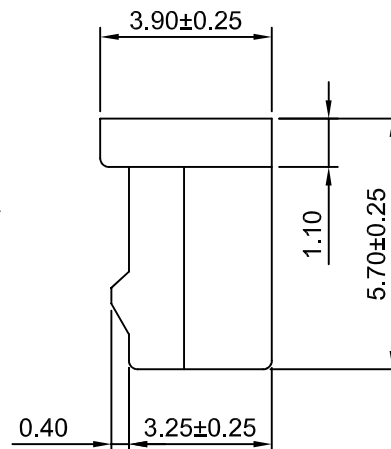
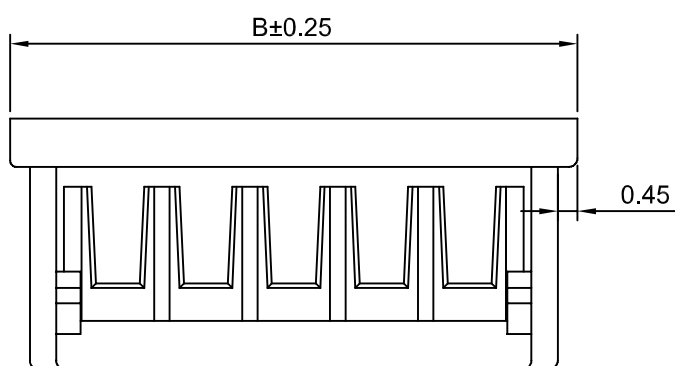
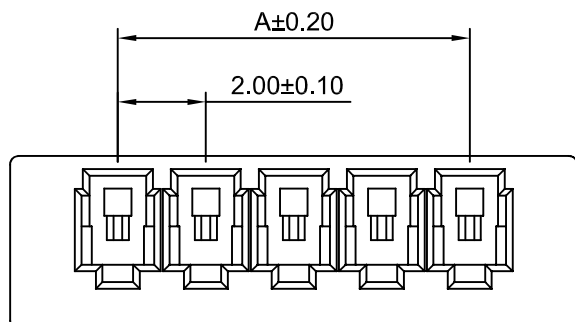


深圳市华德共创科技有限公司

Shenzhen Huade co-create Technology Co.,LTD
TEL : 0755-27129737 FAX : 0755-29940187

-TOLERANCES- UNLESS OTHERWISE SPECIFIED 公差参数表						TITLE: 产品名称: 2.00mm Pitch Housing			
X.X	±0.30	X.X°	±3°	APPD: 核准:	XIE	PART NO: 产品编号: HDGC2010H-XP			
X.XX	±0.30	X.XX°	±2°	CHECK: 校对:	WANG	DATE	SCALE	UNIT	CODE NUMBER
X.XXX	±0.10	X.XXX°	±1°	DRAW: 绘图:	WANG	2010-10-20	6:1	mm	A008

修订 REV	标记 MARK	修改摘要 REVISION DESCRIPTION	签名 SIGNATURE	日期 DATE
AO		NEW RELEASE	WANG	2012-06-10



Ordering Information & Dimensions

Circuits	Dimensions(mm)		Circuits	Dimensions(mm)	
	A	B		A	B
2P	2.00	6.90	9P	16.00	20.90
3P	4.00	8.90	10P	18.00	22.90
4P	6.00	10.90	11P	20.00	24.90
5P	8.00	12.90	12P	22.00	26.90
6P	10.00	14.90	13P	24.00	28.90
7P	12.00	16.90	14P	26.00	30.90
8P	14.00	18.90	15P	28.00	32.90

SPECIFICATIONS:

Current Rating: 2A AC,DC
Voltage Rating: 100V AC,DC
Temperature Range: -25°C ~ +85°C
Contact Resistance: 10mΩ Max.
Insulation Resistance: 1000MΩ Min.
Withstanding Voltage: 800V AC/minute
Material: PBT +15%GF,UL94V-0(Natural)



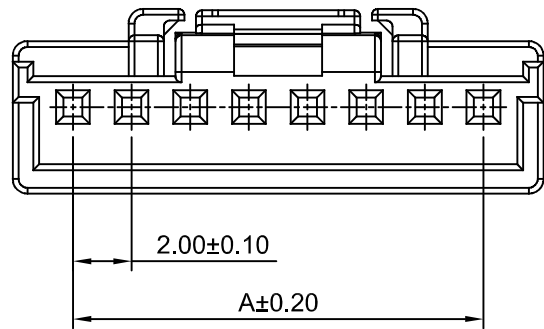
深圳市华德共创科技有限公司

Shenzhen Huade co-create Technology Co.,LTD

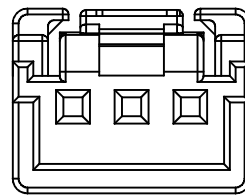
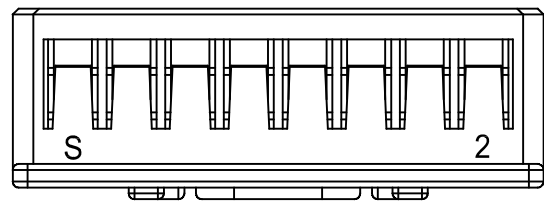
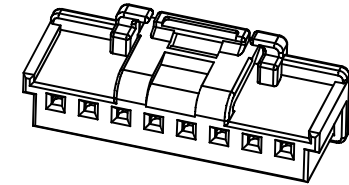
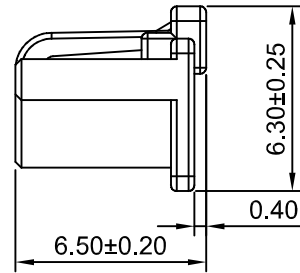
TEL : 0755-27129737 FAX : 0755-29940187

-TOLERANCES- UNLESS OTHERWISE SPECIFIED 公差参数表						TITLE: 产品名称: 2.00mm Pitch Housing			
X.X	±0.30	X.X°	±3°	APPD: 核准:	XIE	PART NO: 产品编号: HDGC2010HA-XP			
X.XX	±0.30	X.XX°	±2°	CHECK: 校对:	WANG	DATE	SCALE	UNIT	CODE NUMBER
X.XXX	±0.10	X.XXX°	±1°	DRAW: 绘图:	WANG	2012-06-10	6:1	mm	A008

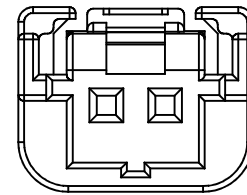
修订 REV	标记 MARK	修改摘要 REVISION DESCRIPTION	签名 SIGNATURE	日期 DATE
AO		NEW RELEASE	WANG	2017-10-14



5~15P



3P



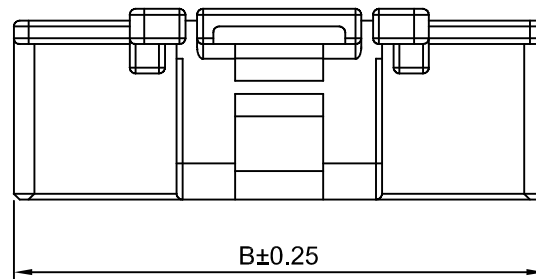
2P

Ordering Information & Dimensions

Circuits	Dimensions(mm)		Circuits	Dimensions(mm)	
	A	B		A	B
2P	2.00	8.00	9P	16.00	20.10
3P	4.00	8.10	10P	18.00	22.10
4P	6.00	10.10	11P	20.00	24.10
5P	8.00	12.10	12P	22.00	26.10
6P	10.00	14.10	13P	24.00	28.10
7P	12.00	16.10	14P	26.00	30.10
8P	14.00	18.10	15P	28.00	32.10

SPECIFICATIONS:

Current Rating: 3A AC,DC
Voltage Rating: 125V AC,DC
Temperature Range: -25°C ~ +85°C
Contact Resistance: 10mΩ Max.
Insulation Resistance: 1000MΩ Min.
Withstanding Voltage: 500V AC/minute
Material: PBT,UL94V-0(Natural)



深圳市华德共创科技有限公司

Shenzhen Huade co-create Technology Co.,LTD
TEL : 0755-27129737 FAX : 0755-29940187

-TOLERANCES- UNLESS OTHERWISE SPECIFIED 公差参数表						TITLE: 产品名称: 2.00mm Pitch Housing			
X.X	±0.30	X.X°	±3°	APPD: 核准:	XIE	PART NO: 产品编号: HDGC2010HC-XP			
X.XX	±0.30	X.XX°	±2°	CHECK: 校对:	WANG	DATE	SCALE	UNIT	CODE NUMBER
X.XXX	±0.10	X.XXX°	±1°	DRAW: 绘图:	WANG	2017-10-14	4:1	mm	A008

修订 REV	标记 MARK	修改摘要 REVISION DESCRIPTION	签名 SIGNATURE	日期 DATE
AO		NEW RELEASE	WANG	2020-10-20

Ordering Information:

HDGC2010HD-XP - ***

1 2

1.Part NO.

2.Color:

(blank): White

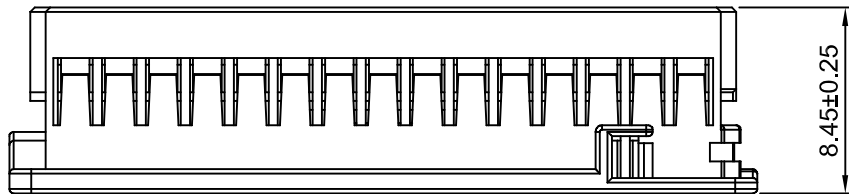
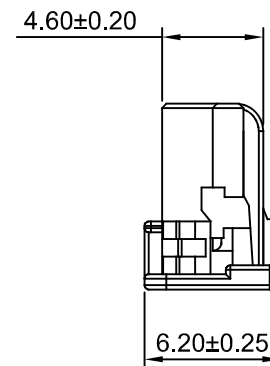
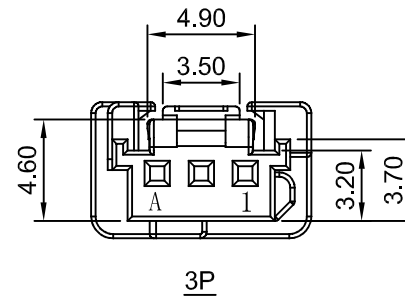
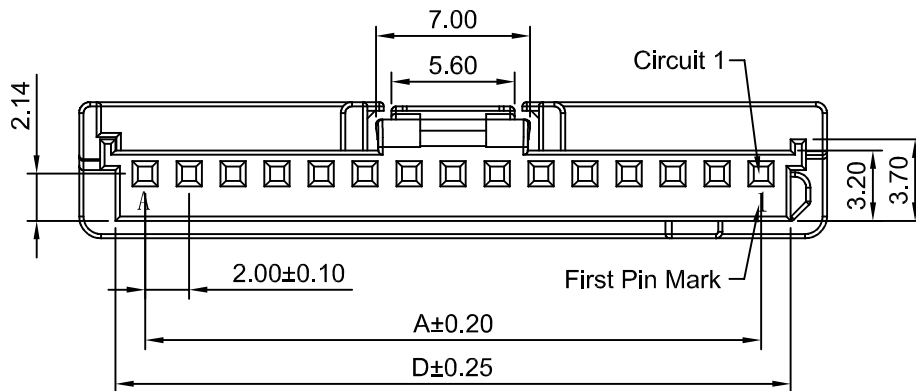
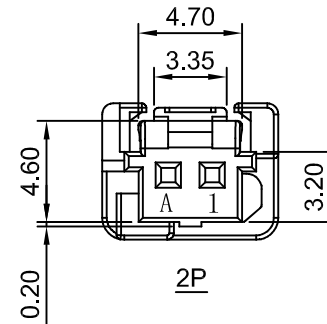
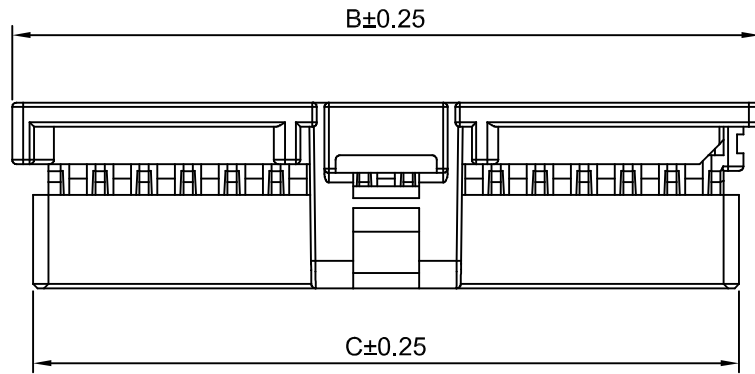
BK: Black

RD: Red

BL: Blue

Ordering Information & Dimensions

Circuits	Dimensions(mm)			
	A	B	C	D
2P	2.00	8.00	6.10	4.70
3P	4.00	10.00	8.10	6.70
4P	6.00	12.00	10.10	8.70
5P	8.00	14.00	12.10	10.70
6P	10.00	16.00	14.10	12.70
7P	12.00	18.00	16.10	14.70
8P	14.00	20.00	18.10	16.70
9P	16.00	22.00	20.10	18.70
10P	18.00	24.00	22.10	20.70
11P	20.00	26.00	24.10	22.70
12P	22.00	28.00	26.10	24.70
13P	24.00	30.00	28.10	26.70
14P	26.00	32.00	30.10	28.70
15P	28.00	34.00	32.10	30.70



4P~15P

SPECIFICATIONS:

Current Rating: 6A AC,DC (MAX)

Voltage Rating: 125V AC,DC

Temperature Range: -25°C ~ +85°C

Contact Resistance: 10mΩ Max.

Insulation Resistance: 100MΩ Min.

Withstanding Voltage: 500V AC/minute

Material: PBT,UL94V-0



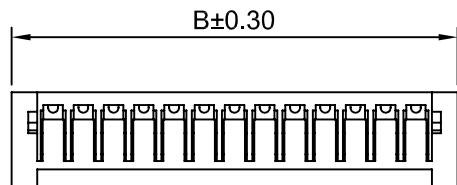
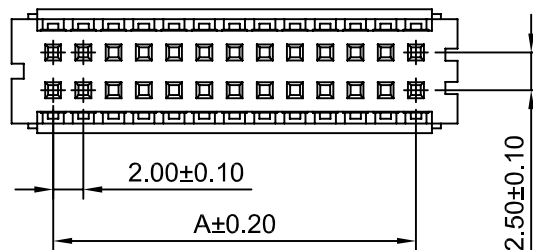
深圳市华德共创科技有限公司

Shenzhen Huade co-create Technology Co.,LTD

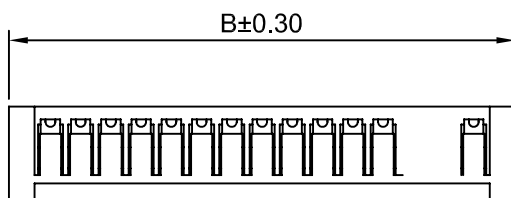
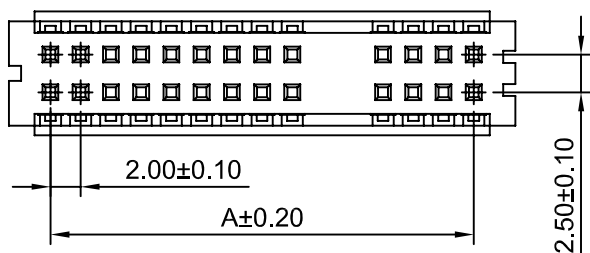
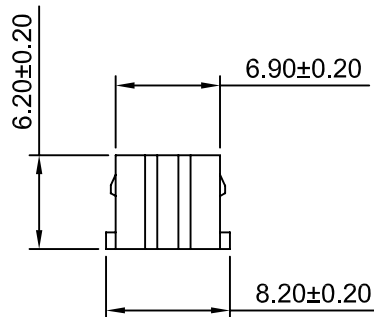
TEL : 0755-27129737 FAX : 0755-29940187

-TOLERANCES- UNLESS OTHERWISE SPECIFIED 公差参数表				TITLE: 产品名称: 2.00mm Pitch Housing	
X.X	±0.30	X.X°	±3°	APPD: 核准:	XIE
X.XX	±0.30	X.XX°	±2°	CHECK: 校对:	WANG
X.XXX	±0.10	X.XXX°	±1°	DRAW: 绘图:	WANG
PART NO: 产品编号:		HDGC2010HD-XP			
DATE	SCALE	UNIT	CODE NUMBER		
2020-10-20	3:1	mm	A008		

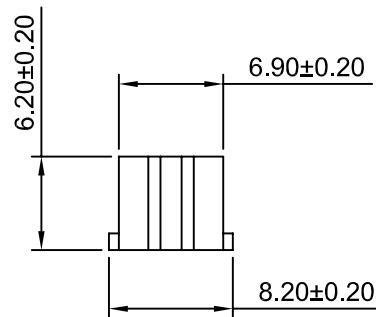
修订 REV	标记 MARK	修改摘要 REVISION DESCRIPTION	签名 SIGNATURE	日期 DATE
AO		NEW RELEASE	WANG	2020-10-20



2x5P~2x14P

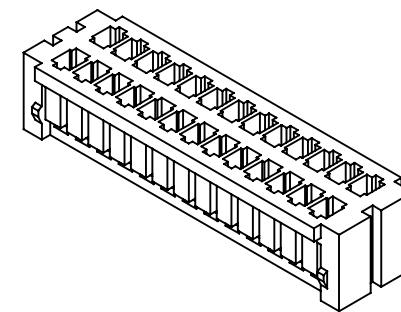


2x15P~2x30P



SPECIFICATIONS:

Current Rating: 3A AC,DC
Voltage Rating: 125V AC,DC
Temperature Range: -25°C ~ +85°C
Contact Resistance: 20mΩ Max
Insulation Resistance: 1000MΩ Min
Withstanding Voltage: 1500V AC/minute
Material: Nylon 66,UL94V-0,(Gray)



Ordering Information & Dimensions

Circuits	Dimensions(mm)		Circuits	Dimensions(mm)	
	A	B		A	B
2x5P	8.00	13.50	2x13P	24.00	29.50
2x6P	10.00	15.50	2x14P	26.00	31.50
2x7P	12.00	17.50	2x15P	28.00	33.50
2x8P	14.00	19.50	2x16P	30.00	35.50
2x9P	16.00	21.50	2x17P	32.00	37.50
2x10P	18.00	23.50	2x20P	38.00	43.50
2x11P	20.00	25.50	2x25P	48.00	53.50
2x12P	22.00	27.50	2x30P	58.00	63.50



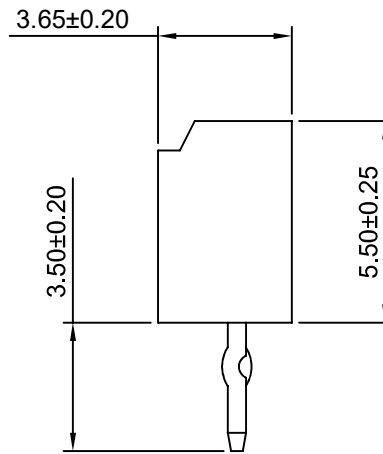
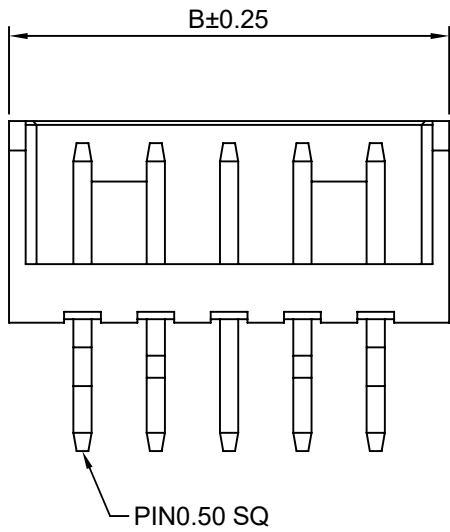
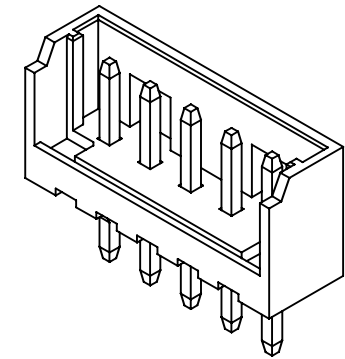
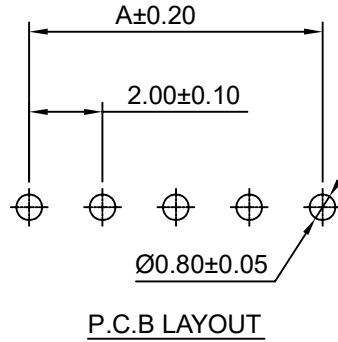
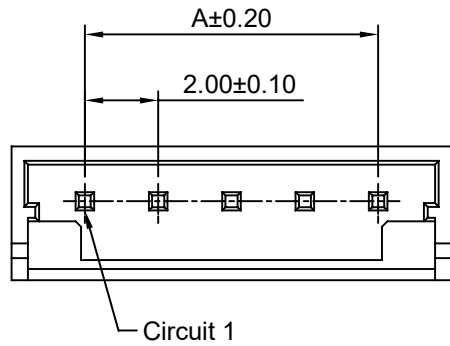
深圳市华德共创科技有限公司

Shenzhen Huade co-create Technology Co.,LTD

TEL : 0755-27129737 FAX : 0755-29940187

-TOLERANCES- UNLESS OTHERWISE SPECIFIED 公差参数表						TITLE: 产品名称: 2.00mm Pitch Housing			
X.X	±0.30	X.X°	±3°	APPD: 核准:	XIE	PART NO: 产品编号: HDGC2010HA-2xXP			
X.XX	±0.30	X.XX°	±2°	CHECK: 校对:	WANG	DATE	SCALE	UNIT	CODE NUMBER
X.XXX	±0.10	X.XXX°	±1°	DRAW: 绘图:	WANG	2020-10-20	2:1	mm	A008

修订 REV	标记 MARK	修改摘要 REVISION DESCRIPTION	签名 SIGNATURE	日期 DATE
AO		NEW RELEASE	WANG	2016-08-25



Ordering Information & Dimensions

Circuits	Dimensions(mm)		Circuits	Dimensions(mm)	
	A	B		A	B
2P	2.00	6.00	11P	20.00	24.00
3P	4.00	8.00	12P	22.00	26.00
4P	6.00	10.00	13P	24.00	28.00
5P	8.00	12.00	14P	26.00	30.00
6P	10.00	14.00	15P	28.00	32.00
7P	12.00	16.00	16P	30.00	34.00
8P	14.00	18.00	17P	32.00	36.00
9P	16.00	20.00	18P	34.00	38.00
10P	18.00	22.00			

SPECIFICATIONS:
 Current Rating: 2A AC,DC
 Voltage Rating: 100V AC,DC
 Temperature Range: -25°C ~ +85°C
 Contact Resistance: 10mΩ Max.
 Insulation Resistance: 1000MΩ Min.
 Withstanding Voltage: 800V AC/minute
 Pin Material: Brass/Tin over Nickel
 Material: Nylon 66,UL94V-0(White)

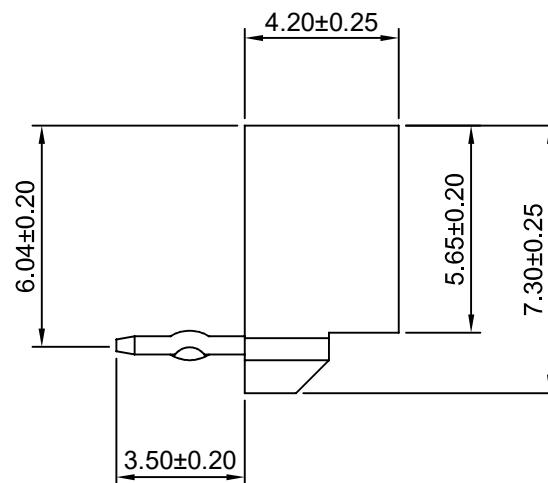
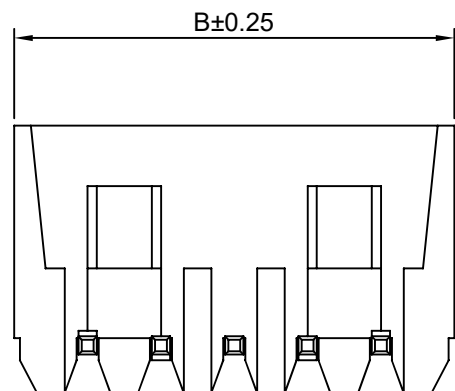
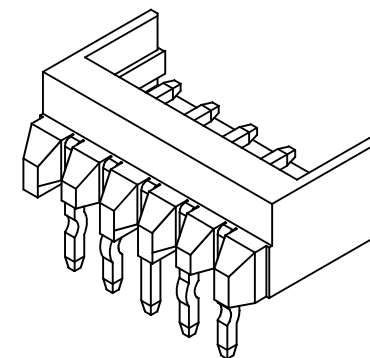
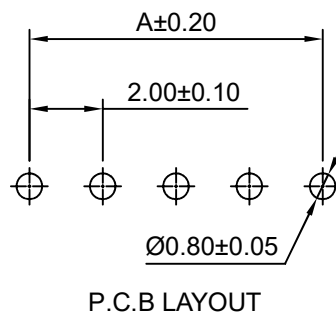
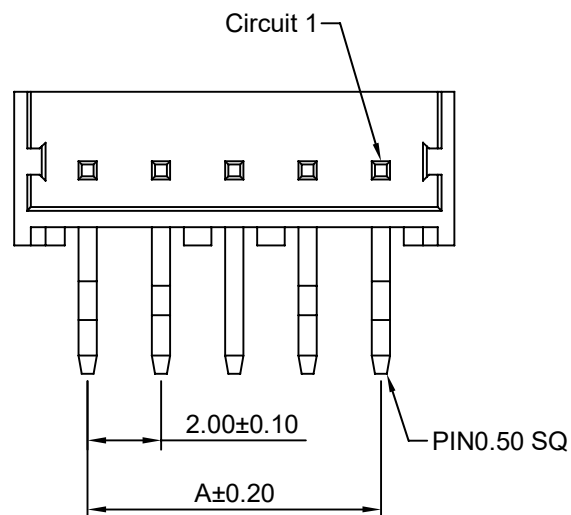


深圳市华德共创科技有限公司

Shenzhen Huade co-create Technology Co.,LTD
 TEL : 0755-27129737 FAX : 0755-29940187

-TOLERANCES- UNLESS OTHERWISE SPECIFIED 公差参数表				TITLE: 产品名称: 2.00mm Pitch 180° Wafer	
X.X	±0.30	X.X°	±3°	APPD: 核准:	XIE
X.XX	±0.30	X.XX°	±2°	CHECK: 校对:	WANG
X.XXX	±0.10	X.XXX°	±1°	DRAW: 绘图:	WANG
PART NO: 产品编号:		HDGC2010WV-XP			
DATE	SCALE	UNIT	CODE NUMBER		
2016-08-25	5:1	mm	A008		

修订 REV	标记 MARK	修改摘要 REVISION DESCRIPTION	签名 SIGNATURE	日期 DATE
AO		NEW RELEASE	WANG	2010-10-20



Ordering Information & Dimensions

Circuits	Dimensions(mm)		Circuits	Dimensions(mm)	
	A	B		A	B
2P	2.00	6.00	11P	20.00	24.00
3P	4.00	8.00	12P	22.00	26.00
4P	6.00	10.00	13P	24.00	28.00
5P	8.00	12.00	14P	26.00	30.00
6P	10.00	14.00	15P	28.00	32.00
7P	12.00	16.00	16P	30.00	34.00
8P	14.00	18.00	17P	32.00	36.00
9P	16.00	20.00	18P	34.00	38.00
10P	18.00	22.00			

SPECIFICATIONS:

Current Rating: 2A AC,DC
Voltage Rating: 100V AC,DC
Temperature Range: -25°C ~ +85°C
Contact Resistance: 10mΩ Max.
Insulation Resistance: 1000MΩ Min.
Withstanding Voltage: 800V AC/minute
Pin Material: Brass/Tin over Nickel
Material: Nylon 66,UL94V-0(White)



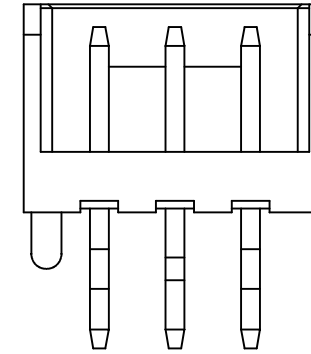
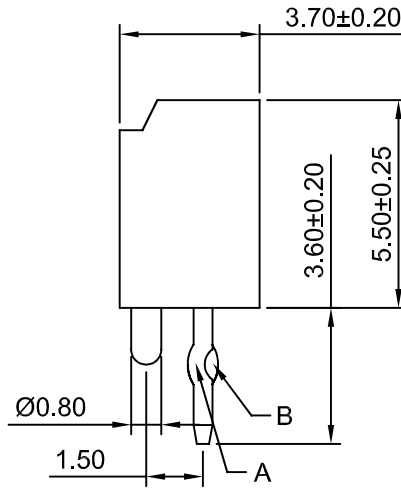
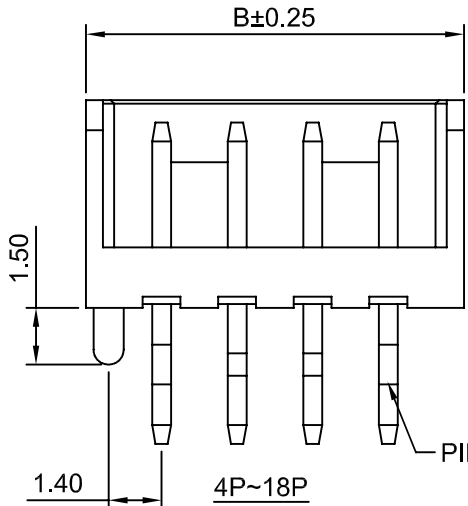
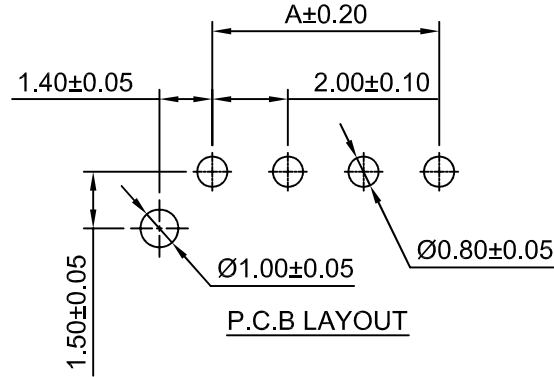
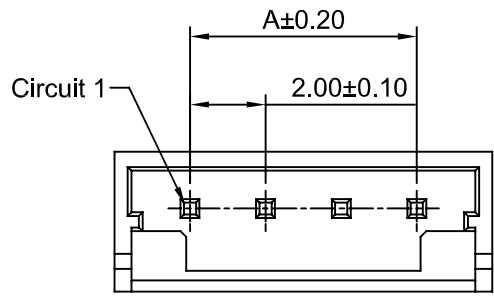
深圳市华德共创科技有限公司

Shenzhen Huade co-create Technology Co.,LTD

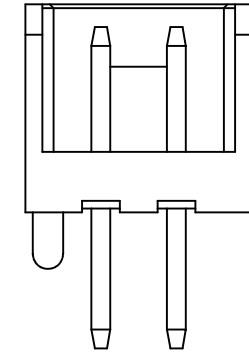
TEL : 0755-27129737 FAX : 0755-29940187

-TOLERANCES- UNLESS OTHERWISE SPECIFIED 公差参数表				TITLE: 产品名称: 2.00mm Pitch 90° Wafer	
X.X	±0.30	X.X°	±3°	APPD: 核准:	XIE
X.XX	±0.30	X.XX°	±2°	CHECK: 校对:	WANG
X.XXX	±0.10	X.XXX°	±1°	DRAW: 绘图:	WANG
PART NO: 产品编号:		HDGC2010WR-XP			
DATE	SCALE	UNIT	CODE NUMBER		
2010-10-20	5:1	mm	A008		

修订 REV	标记 MARK	修改摘要 REVISION DESCRIPTION	签名 SIGNATURE	日期 DATE
AO		NEW RELEASE	WANG	2017-10-14



3P



2P

Ordering Information & Dimensions

Circuits	Dimensions(mm)		Circuits	Dimensions(mm)	
	A	B		A	B
2P	2.00	6.00	11P	20.00	24.00
3P	4.00	8.00	12P	22.00	26.00
4P	6.00	10.00	13P	24.00	28.00
5P	8.00	12.00	14P	26.00	30.00
6P	10.00	14.00	15P	28.00	32.00
7P	12.00	16.00	16P	30.00	34.00
8P	14.00	18.00	17P	32.00	36.00
9P	16.00	20.00	18P	34.00	38.00
10P	18.00	22.00			

King To Be Applied As Follows

Circuits NO.	1	2	3	4	5	N-2	N-1	N
3P	A	B	A					
4P	A	B	B	A				
5P	A	B	-	B	A			
6P~18P	-	A	B	-	-	B	A	-

SPECIFICATIONS:

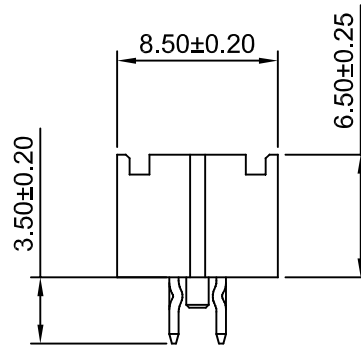
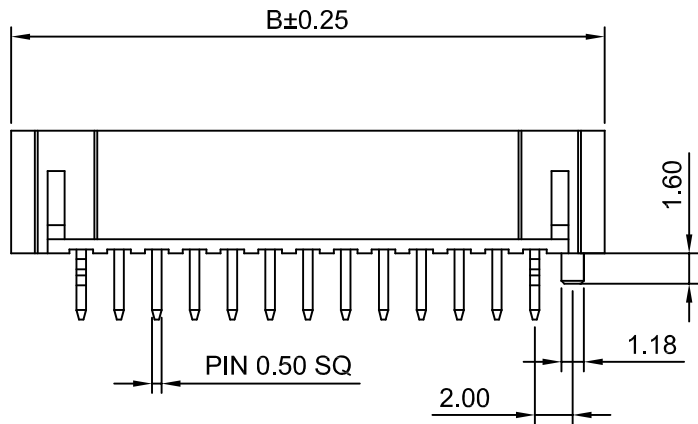
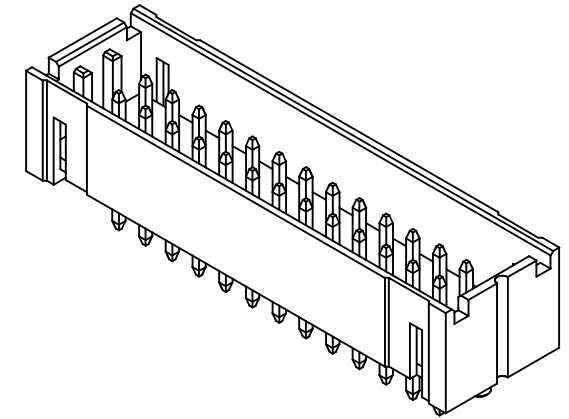
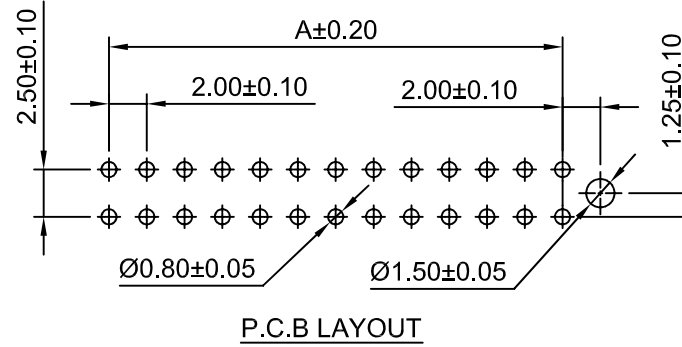
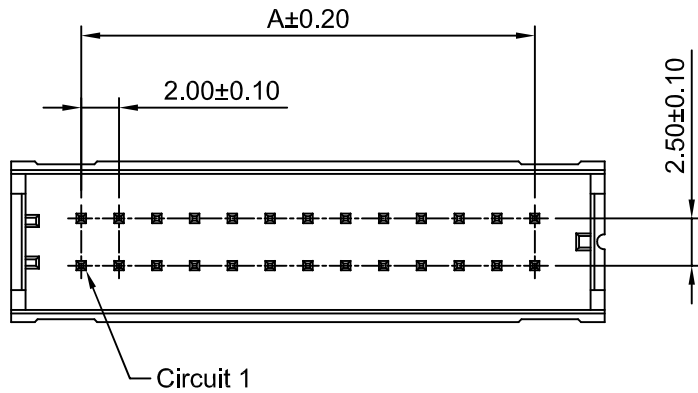
Current Rating: 2A AC,DC
Voltage Rating: 100V AC,DC
Temperature Range: -25°C ~ +85°C
Contact Resistance: 10mΩ Max.
Insulation Resistance: 1000MΩ Min.
Withstanding Voltage: 800V AC/minute
Pin Material: Brass/Tin over Nickel
Material: Nylon 66,UL94V-0(White)

深圳市华德共创科技有限公司

Shenzhen Huade co-create Technology Co.,LTD
TEL : 0755-27129737 FAX : 0755-29940187

-TOLERANCES- UNLESS OTHERWISE SPECIFIED 公差参数表				TITLE: 2.00mm Pitch 产品名称: 180° Wafer							
X.X	±0.30	X.X°	±3°	APPD: 核准:	XIE			PART NO: 产品编号:	HDGC2010WV-F-XP		
X.XX	±0.30	X.XX°	±2°	CHECK: 校对:	WANG			DATE	SCALE	UNIT	CODE NUMBER
X.XXX	±0.10	X.XXX°	±1°	DRAW: 绘图:	WANG			2017-10-14	5:1	mm	A008

修订 REV	标记 MARK	修改摘要 REVISION DESCRIPTION	签名 SIGNATURE	日期 DATE
AO		NEW RELEASE	WANG	2017-10-14



Ordering Information & Dimensions

Circuits	Dimensions(mm)		Circuits	Dimensions(mm)	
	A	B		A	B
2x2P	2.00	9.40	2x12P	22.00	29.40
2x3P	4.00	11.40	2x13P	24.00	31.40
2x4P	6.00	13.40	2x14P	26.00	33.40
2x5P	8.00	15.40	2x15P	28.00	35.40
2x6P	10.00	17.40	2x16P	30.00	37.40
2x7P	12.00	19.40	2x17P	32.00	39.40
2x8P	14.00	21.40	2x20P	38.00	45.40
2x9P	16.00	23.40	2x25P	48.00	55.40
2x10P	18.00	25.40	2x30P	58.00	65.50
2x11P	20.00	27.40			

SPECIFICATIONS:

Current Rating: 2A AC,DC
Voltage Rating: 100V AC,DC
Temperature Range: -25°C ~ +85°C
Contact Resistance: 10mΩ Max
Insulation Resistance: 1000MΩ Min
Withstanding Voltage: 800V AC/minute
Pin Material: Brass/Tin over Nickel
Material: Nylon 66,UL94V-0(Gray)



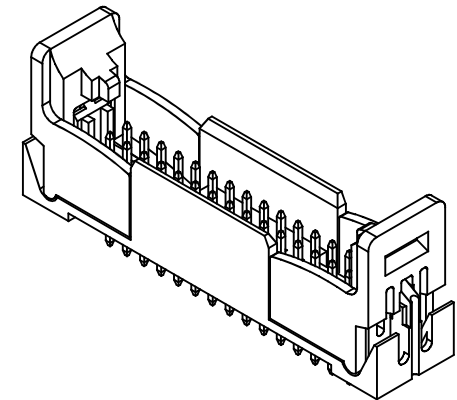
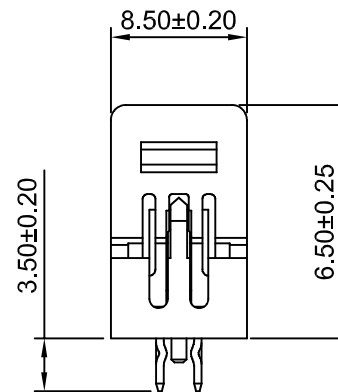
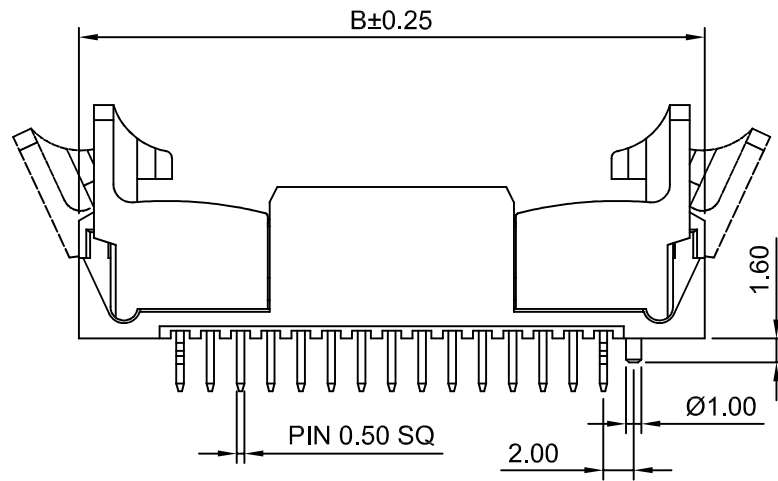
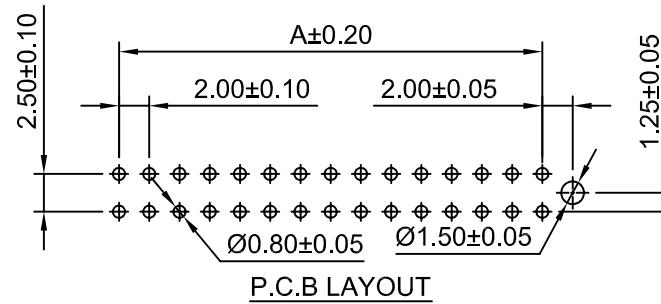
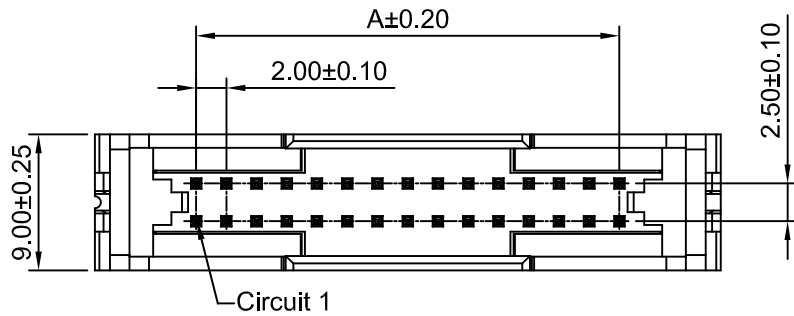
深圳市华德共创科技有限公司

Shenzhen Huade co-create Technology Co.,LTD

TEL : 0755-27129737 FAX : 0755-29940187

-TOLERANCES- UNLESS OTHERWISE SPECIFIED 公差参数表				TITLE: 产品名称: 2.00mm Pitch 180° Wafer	
X.X	±0.30	X.X°	±3°	APPD: 核准:	XIE
X.XX	±0.30	X.XX°	±2°	CHECK: 校对:	WANG
X.XXX	±0.10	X.XXX°	±1°	DRAW: 绘图:	WANG
PART NO: 产品编号:		HDGC2010WA-F-2xXP			
DATE	SCALE	UNIT	CODE NUMBER		
2017-10-14	2.5:1	mm	A008		

修订 REV	标记 MARK	修改摘要 REVISION DESCRIPTION	签名 SIGNATURE	日期 DATE
AO		NEW RELEASE	WANG	2017-10-14



Ordering Information & Dimensions

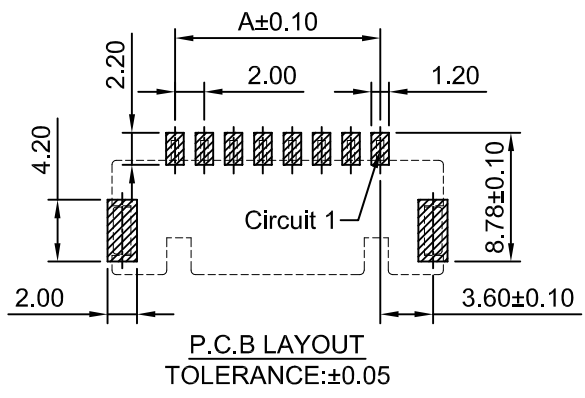
Circuits	Dimensions(mm)		Circuits	Dimensions(mm)	
	A	B		A	B
2x15P	28.00	41.40	2x25P	48.00	61.40
2x17P	32.00	45.40	2x30P	58.00	71.40
2x20P	38.00	51.40			

SPECIFICATIONS:
 Current Rating: 2A AC,DC
 Voltage Rating: 100V AC,DC
 Temperature Range: -25°C ~ +85°C
 Contact Resistance: 10mΩ Max
 Insulation Resistance: 1000MΩ Min
 Withstanding Voltage: 800V AC/minute
 Pin Material: Brass/Tin over Nickel
 Material: Nylon 66,UL94V-0,(Gray)

深圳市华德共创科技有限公司
 Shenzhen Huade co-create Technology Co.,LTD
 TEL : 0755-27129737 FAX : 0755-29940187

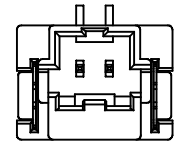
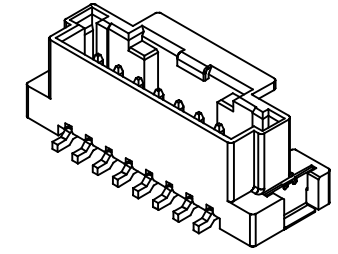
-TOLERANCES- UNLESS OTHERWISE SPECIFIED 公差参数表					TITLE: 2.00mm Pitch 产品名称: 180° Wafer			
X.X	±0.30	X.X°	±3°	APPD: 核准:	XIE			
X.XX	±0.30	X.XX°	±2°	CHECK: 校对:	WANG			
X.XXX	±0.10	X.XXX°	±1°	DRAW: 绘图:	WANG			
PART NO: 产品编号:					HDGC2010WVB-F-2xXP			
		DATE	SCALE	UNIT	CODE NUMBER			
		2017-10-14	2:1	mm	A008			

修订 REV	标记 MARK	修改摘要 REVISION DESCRIPTION	签名 SIGNATURE	日期 DATE
AO		NEW RELEASE	WANG	2018-12-18

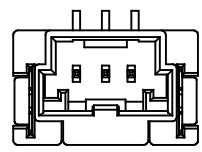


Ordering Information:
 HDGC2010WVC-S-XP - *** - ***
 1 2 3

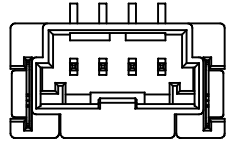
- Part NO.
- Color:
 (blank): Natural(Beige)
 BK: Black
 RD: Red
 BL: Blue
- Pin Finish:
 (blank): Matte Tin over Nickel
 G: Gold over Nickel



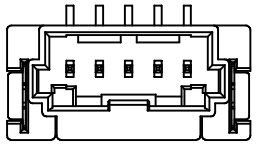
2P



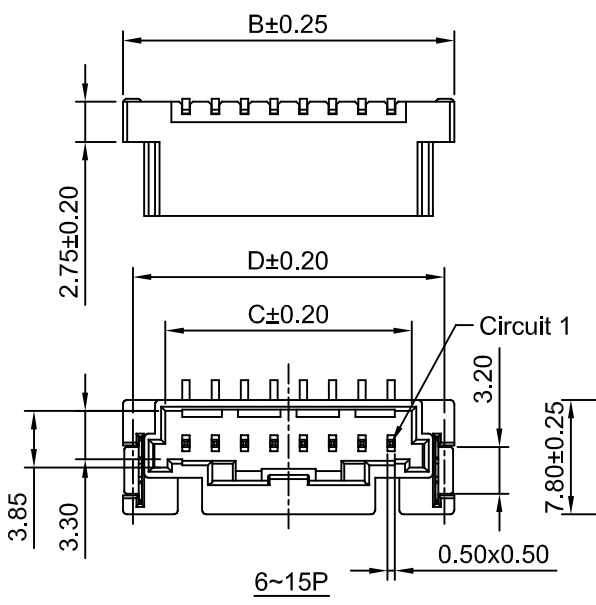
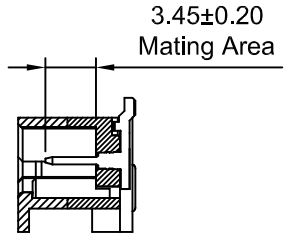
3P



4P



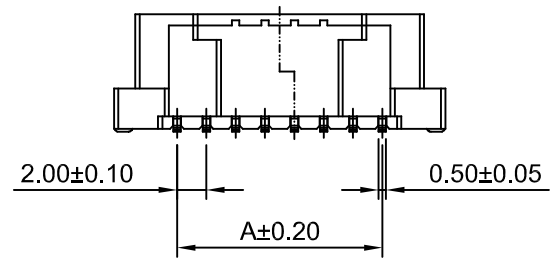
5P



Ordering Information & Dimensions

Circuits	Dimensions(mm)			
	A	B	C	D
2P	2.00	10.60	4.80	9.23
3P	4.00	12.60	6.80	11.23
4P	6.00	14.60	8.80	13.23
5P	8.00	16.60	10.80	15.23
6P	10.00	18.60	12.80	17.23
7P	12.00	20.60	14.80	19.23
8P	14.00	22.60	16.80	21.23
9P	16.00	24.60	18.80	23.23
10P	18.00	26.60	20.80	25.23
11P	20.00	28.60	22.80	27.23
12P	22.00	30.60	24.80	29.23
13P	24.00	32.60	26.80	31.23
14P	26.00	34.60	28.80	33.23
15P	28.00	36.60	30.80	35.23

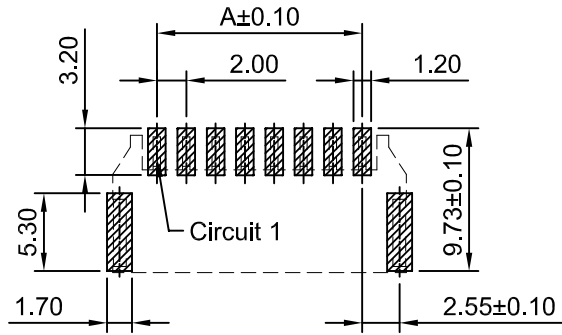
SPECIFICATIONS:
 Current Rating: 3A AC,DC
 Voltage Rating: 125V AC,DC
 Temperature Range: -25°C ~ +85°C
 Contact Resistance: 10mΩ Max.
 Insulation Resistance: 1000MΩ Min.
 Withstanding Voltage: 500V AC/minute
 Pin Material: Phorphos Bronze
 Solder tabs: Brass/Matte Tin over Nickel
 Housing Material: Nylon 9T,UL94V-0



深圳市华德共创科技有限公司
 Shenzhen Huade co-create Technology Co.,LTD
 TEL : 0755-27129737 FAX : 0755-29940187

-TOLERANCES- UNLESS OTHERWISE SPECIFIED 公差参数表			 	TITLE: 产品名称: 2.00mm Pitch 180° Wafer				
X.X	±0.30	X.X°	±3°	APPD: 核准: XIE	PART NO: 产品编号: HDGC2010WVC-S-XP			
X.XX	±0.30	X.XX°	±2°	CHECK: 校对: WANG	DATE	SCALE	UNIT	CODE NUMBER
X.XXX	±0.10	X.XXX°	±1°	DRAW: 绘图: WANG	2018-12-18	2:1	mm	A008

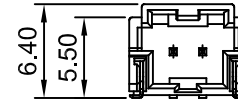
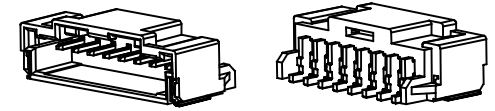
修订 REV	标记 MARK	修改摘要 REVISION DESCRIPTION	签名 SIGNATURE	日期 DATE
AO		NEW RELEASE	WANG	2018-12-18



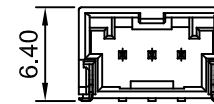
P.C.B LAYOUT
TOLERANCE:±0.05

Ordering Information:
HDGC2010WRC-S-XP - *** - ***
1 2 3

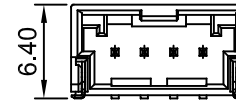
- Part NO.
- Color:
(blank): Natural(Beige)
BK: Black
RD: Red
BL: Blue
- Pin Finish:
(blank): Tin over Nickel
G: Gold over Nickel



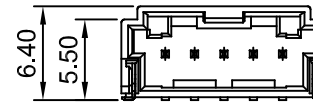
2P



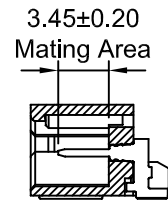
3P



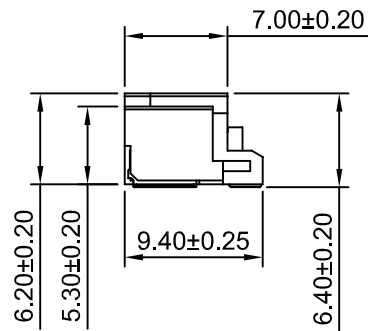
4P



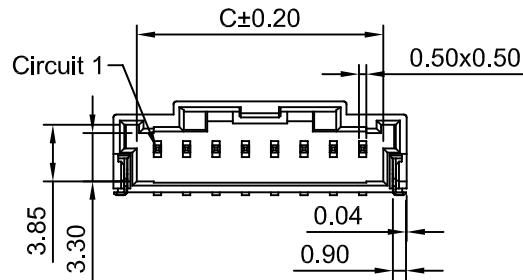
5P



3.45±0.20
Mating Area



6P~15P

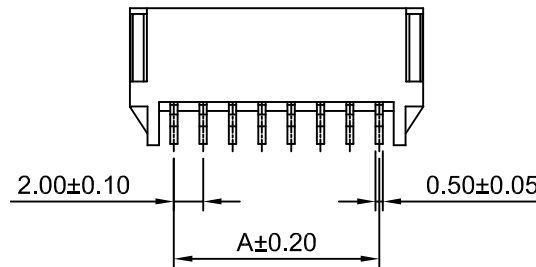


Ordering Information & Dimensions

Circuits	Dimensions(mm)		
	A	B	C
2P	2.00	8.00	4.80
3P	4.00	10.00	6.80
4P	6.00	12.00	8.80
5P	8.00	14.00	10.80
6P	10.00	16.00	12.80
7P	12.00	18.00	14.80
8P	14.00	20.00	16.80
9P	16.00	22.00	18.80
10P	18.00	24.00	20.80
11P	20.00	26.00	22.80
12P	22.00	28.00	24.80
13P	24.00	30.00	26.80
14P	26.00	32.00	28.80
15P	28.00	34.00	30.80

SPECIFICATIONS:

Current Rating: 3A AC,DC
Voltage Rating: 125V AC,DC
Temperature Range: -25°C ~ +85°C
Contact Resistance: 10mΩ Max.
Insulation Resistance: 1000MΩ Min.
Withstanding Voltage: 500V AC/minute
Pin Material: Phorphos Bronze
Solder tabs: Phorphos Bronze/Matte Tin over Nickel
Housing Material: Nylon 9T,UL94V-0

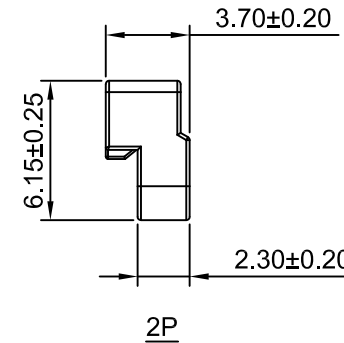
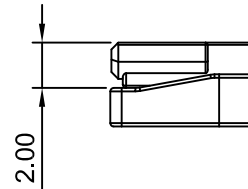
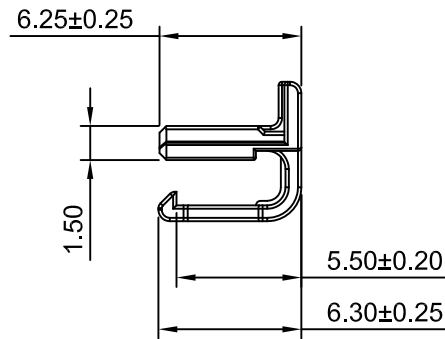
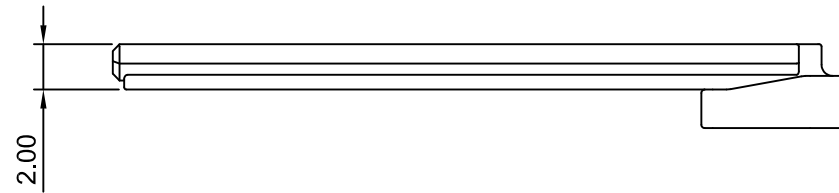
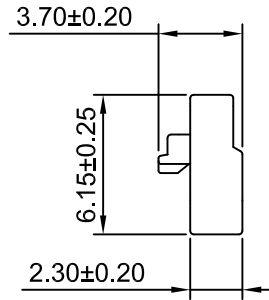
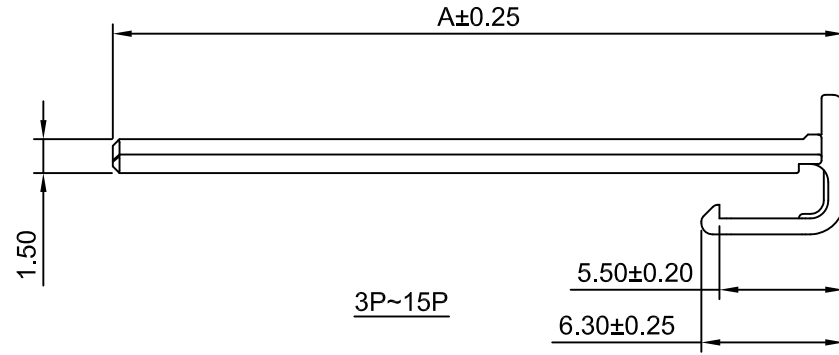




深圳市华德共创科技有限公司
Shenzhen Huade co-create Technology Co.,LTD
TEL : 0755-27129737 FAX : 0755-29940187

-TOLERANCES- UNLESS OTHERWISE SPECIFIED 公差参数表				TITLE: 2.00mm Pitch 产品名称: 90° Wafer							
X.X	±0.30	X.X°	±3°	APPD: 核准:	XIE			PART NO: 产品编号:	HDGC2010WRC-S-XP		
X.XX	±0.30	X.XX°	±2°	CHECK: 校对:	WANG			DATE	SCALE	UNIT	CODE NUMBER
X.XXX	±0.10	X.XXX°	±1°	DRAW: 绘图:	WANG			2018-12-18	2:1	mm	A008

修订 REV	标记 MARK	修改摘要 REVISION DESCRIPTION	签名 SIGNATURE	日期 DATE
AO		NEW RELEASE	WANG	2020-09-18



Ordering Information & Dimensions

Circuits	Dimensions(mm)	
	A	
2P	6.25	
3P	8.25	
4P	10.25	
5P	12.25	
6P	14.25	
7P	16.25	
8P	18.25	
9P	20.25	
10P	22.25	
11P	24.25	
12P	26.25	
13P	28.25	
14P	30.25	
15P	32.25	

SPECIFICATIONS:

Current Rating: 6A AC,DC (MAX)
Voltage Rating: 125V AC,DC
Temperature Range: $-25^{\circ}\text{C} \sim +85^{\circ}\text{C}$
Contact Resistance: $10\text{m}\Omega$ Max.
Insulation Resistance: $100\text{M}\Omega$ Min.
Withstanding Voltage: 500V AC/minute
Material: PBT+30%G.F,UL94V-0

HDGC 深圳市华德共创科技有限公司
Shenzhen Huade co-create Technology Co.,LTD
TEL : 0755-27129737 FAX : 0755-29940187

-TOLERANCES- UNLESS OTHERWISE SPECIFIED 公差参数表						TITLE: 产品名称 : 2.00mm Pitch locking plate			
X.X	± 0.30	X.X°	$\pm 3^{\circ}$	APPD: 核准:	XIE	PART NO: 产品编号 : HDGC2010DS-XP			
X.XX	± 0.30	X.XX°	$\pm 2^{\circ}$	CHECK: 校对:	WANG	DATE	SCALE	UNIT	CODE NUMBER
X.XXX	± 0.10	X.XXX°	$\pm 1^{\circ}$	DRAW: 绘图:	WANG	2020-09-18	3:1	mm	A008