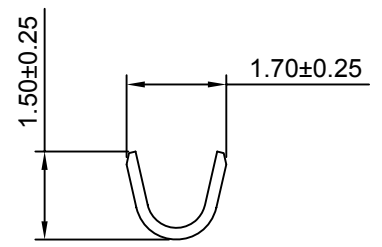
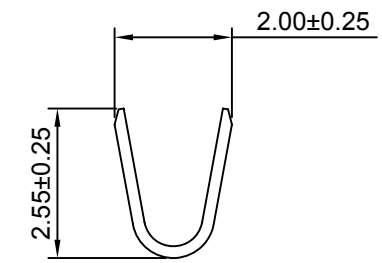
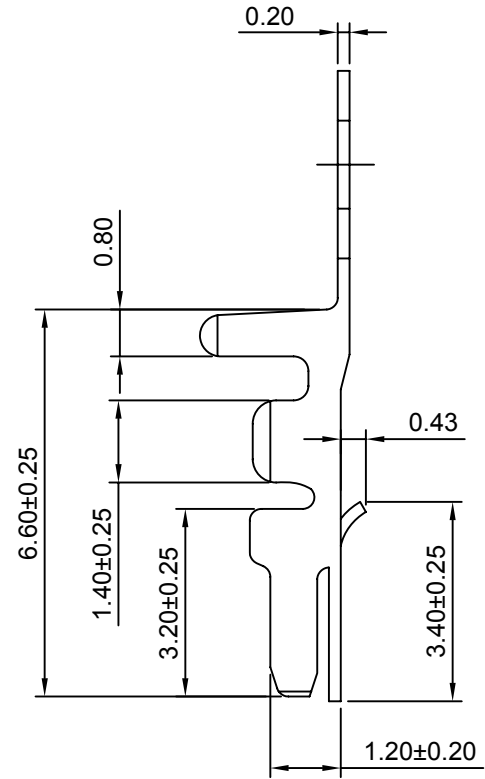
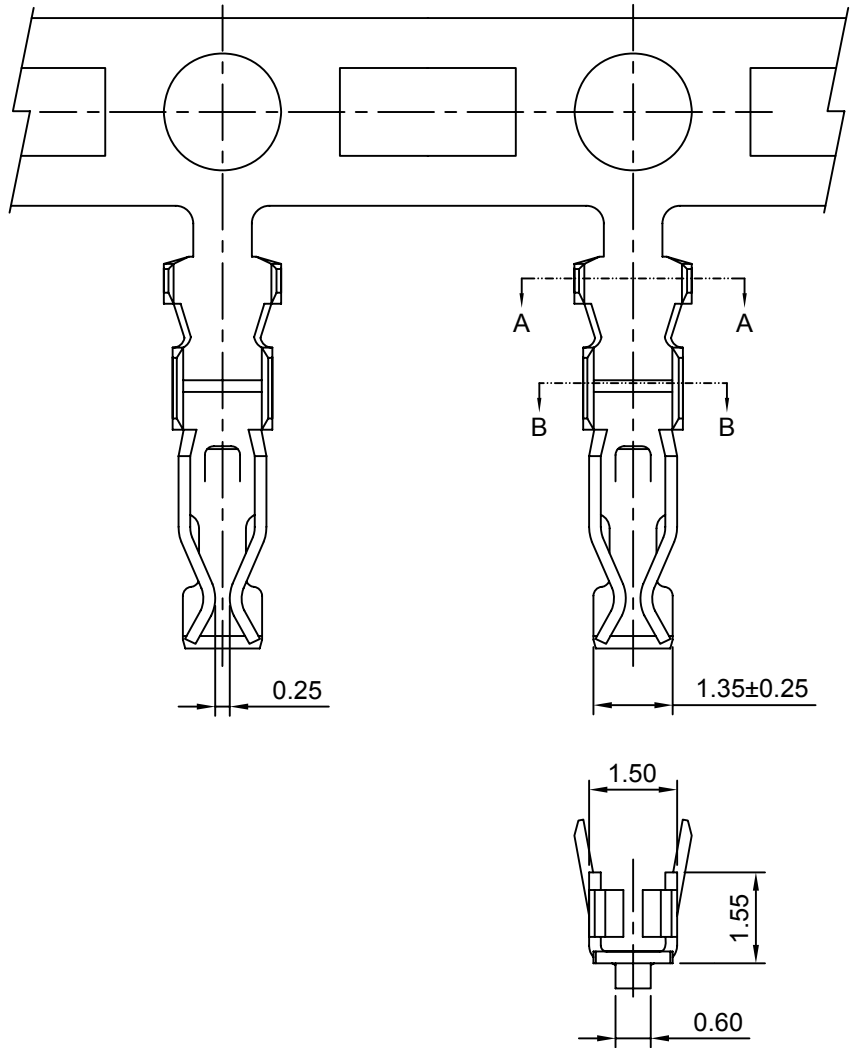


修订 REV	标记 MARK	修改摘要 REVISION DESCRIPTION	签名 SIGNATURE	日期 DATE
AO		NEW RELEASE	WANG	2012-03-10



Ordering information & Specifications

Unit:mm

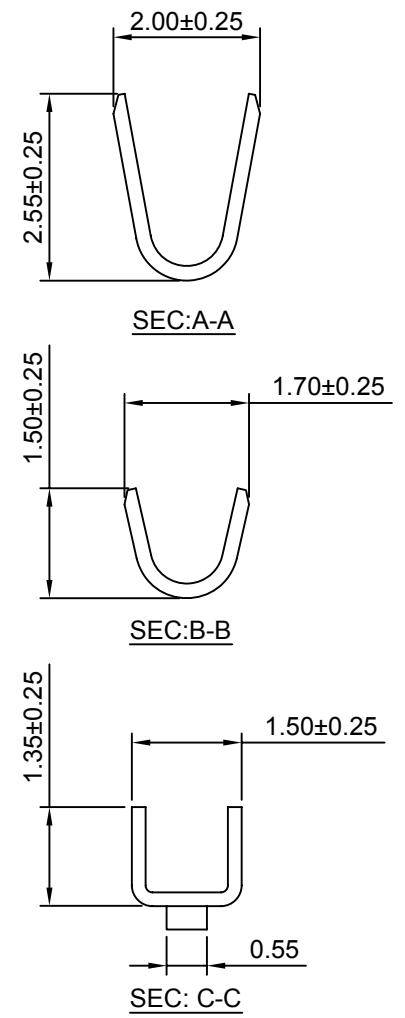
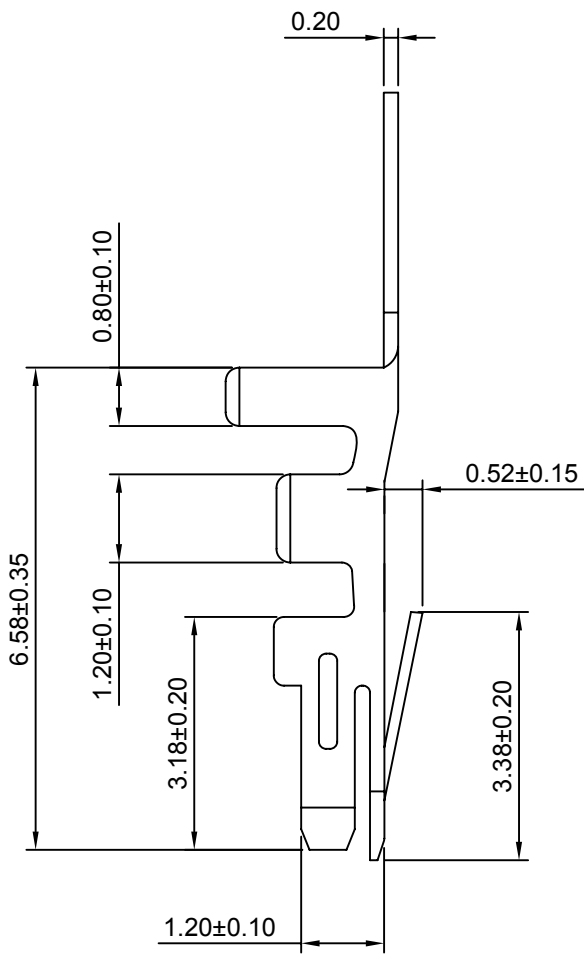
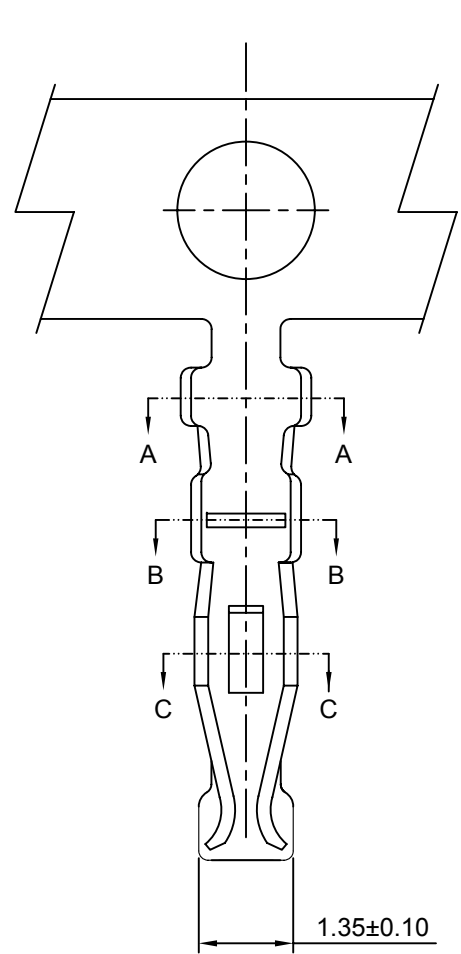
Part No	Wire Range	Insultion O.D.	Material	Finish	Qty/reel
HDGC2006-TP	AWG#22-#28	1.50mm(max)	Phosphor Bronze	Tin over Nickel	10,000 PCS
HDGC2006-GP	AWG#22-#28	1.50mm(max)	Phosphor Bronze	Gold over Nickel	10,000 PCS

Optional Gold plating available but MOQ requested

HDGC 深圳市华德共创科技有限公司
 Shenzhen Huade co-create Technology Co.,LTD
 TEL : 0755-27129737 FAX : 0755-29940187

-TOLERANCES- UNLESS OTHERWISE SPECIFIED 公差参数表				TITLE: 产品名称: 2.00mm Pitch Crimp Terminal				
X.X	±0.30	X.X°	±3°	APPD: 核准: XIE	PART NO: 产品编号: HDGC2006-T			
X.XX	±0.30	X.XX°	±2°	CHECK: 校对: WANG	DATE	SCALE	UNIT	CODE NUMBER
X.XXX	±0.10	X.XXX°	±1°	DRAW: 绘图: WANG	2012-03-10	8:1	mm	A008

修订 REV	标记 MARK	修改摘要 REVISION DESCRIPTION	签名 SIGNATURE	日期 DATE
AO		NEW RELEASE	WANG	2012-03-10




Ordering information & Specifications

Unit:mm

Part No	Wire Range	Insultion O.D.	Material	Finish	Qty/reel
HDGC2006-TP-B	AWG#22-#28	1.50mm(max)	Phosphor Bronze	Tin over Nickel	10,000 PCS
HDGC2006-GP-B	AWG#22-#28	1.50mm(max)	Phosphor Bronze	Gold over Nickel	10,000 PCS

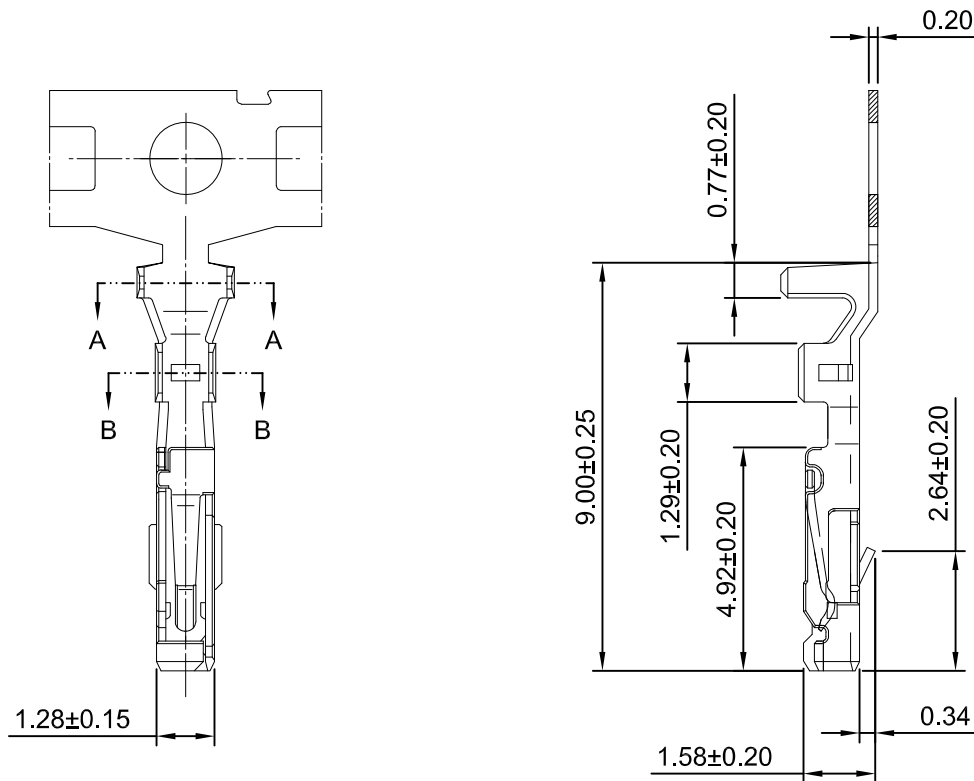
Optional Gold plating available but MOQ requested



深圳市华德共创科技有限公司
 Shenzhen Huade co-create Technology Co.,LTD
 TEL : 0755-27129737 FAX : 0755-29940187

-TOLERANCES- UNLESS OTHERWISE SPECIFIED 公差参数表				TITLE: 2.00mm Pitch 产品名称: Crimp Terminal							
X.X	±0.30	X.X°	±3°	APPD: 核准:	XIE			PART NO: 产品编号:	HDGC2006-T-B		
X.XX	±0.30	X.XX°	±2°	CHECK: 校对:	WANG			DATE	SCALE	UNIT	CODE NUMBER
X.XXX	±0.10	X.XXX°	±1°	DRAW: 绘图:	WANG			2012-03-10	10:1	mm	A008

修订 REV	标记 MARK	修改摘要 REVISION DESCRIPTION	签名 SIGNATURE	日期 DATE
AO		NEW RELEASE	WANG	2012-03-10



Ordering information & Specifications

Unit:mm

Part No	Wire Range	Insultion O.D.	Material	Finish	Qty/reel
HDGC2006-TP-D	AWG#22-#26	1.50mm(max)	Phosphor Bronze	Tin over Nickel	10,000 PCS
HDGC2006-GP-D	AWG#22-#26	1.50mm(max)	Phosphor Bronze	Gold over Nickel	10,000 PCS



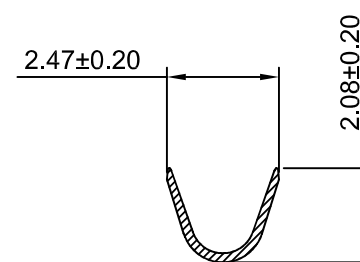
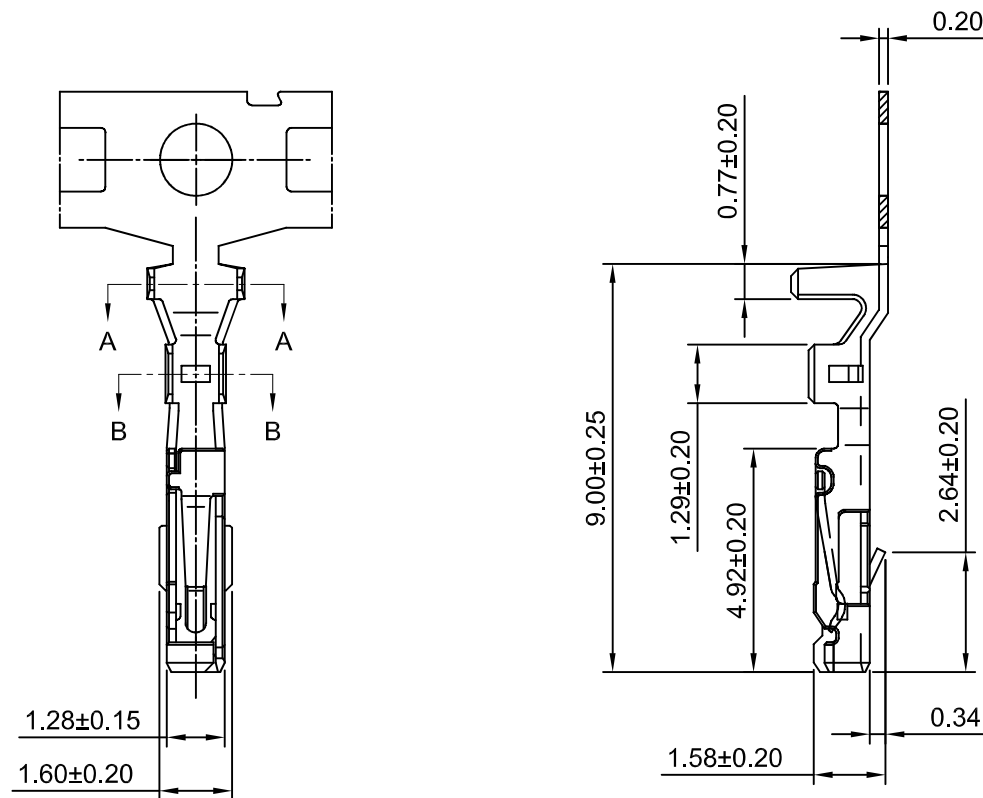
深圳市华德共创科技有限公司

Shenzhen Huade co-create Technology Co.,LTD

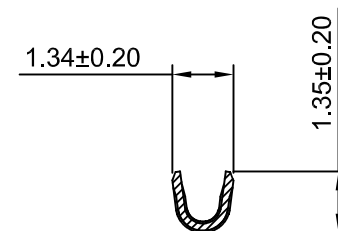
TEL : 0755-27129737 FAX : 0755-29940187

-TOLERANCES- UNLESS OTHERWISE SPECIFIED 公差参数表						TITLE: 2.00mm Pitch 产品名称: Crimp Terminal			
X.X	± 0.30	X.X°	$\pm 3^\circ$	APPD: 核准:	XIE	PART NO: 产品编号: HDGC2006-T-D			
X.XX	± 0.30	X.XX°	$\pm 2^\circ$	CHECK: 校对:	WANG	DATE	SCALE	UNIT	CODE NUMBER
X.XXX	± 0.10	X.XXX°	$\pm 1^\circ$	DRAW: 绘图:	WANG	2012-03-10	6:1	mm	A008

修订 REV	标记 MARK	修改摘要 REVISION DESCRIPTION	签名 SIGNATURE	日期 DATE
AO		NEW RELEASE	WANG	2012-03-10



SEC: A-A



SEC: B-B

Ordering information & Specifications

Unit:mm

Part No	Wire Range	Insultion O.D.	Material	Finish	Qty/reel
HDGC2006-TP-D-L	AWG#26-#28	1.40mm(max)	Phosphor Bronze	Tin over Nickel	10,000 PCS
HDGC2006-GP-D-L	AWG#26-#28	1.40mm(max)	Phosphor Bronze	Gold over Nickel	10,000 PCS



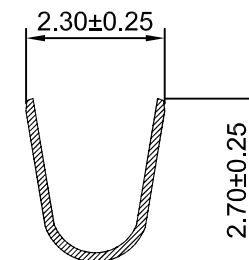
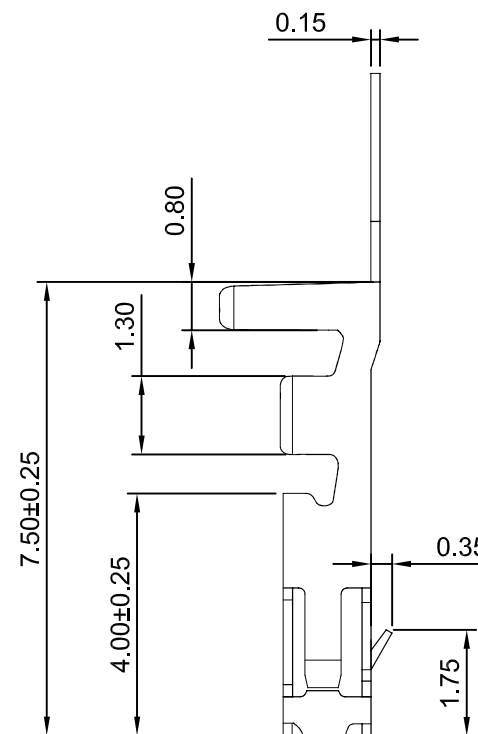
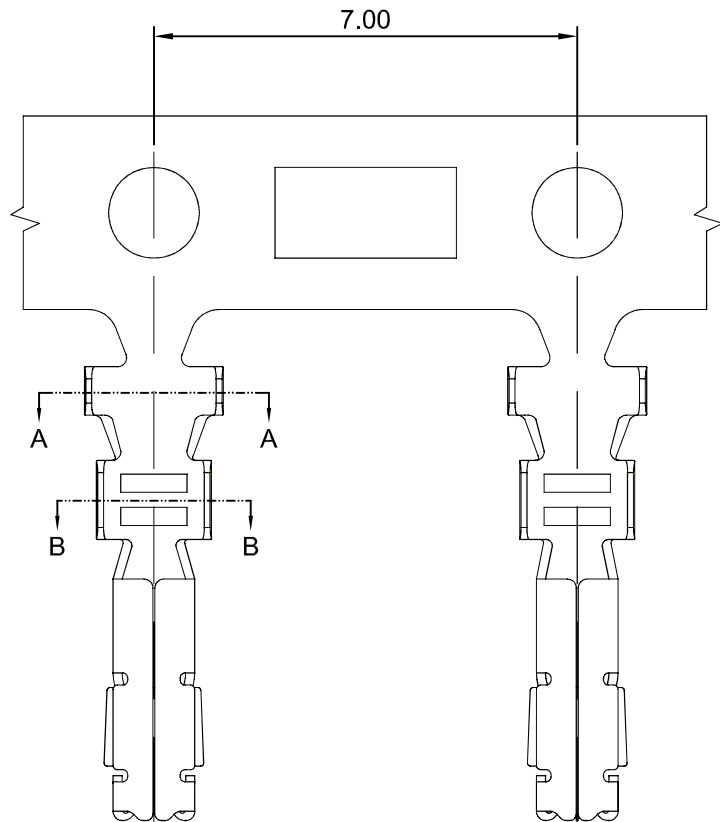
深圳市华德共创科技有限公司

Shenzhen Huade co-create Technology Co.,LTD

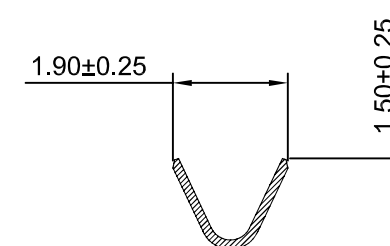
TEL : 0755-27129737 FAX : 0755-29940187

-TOLERANCES- UNLESS OTHERWISE SPECIFIED 公差参数表						TITLE: 2.00mm Pitch 产品名称: Crimp Terminal			
X.X	±0.30	X.X°	±3°	APPD: 核准:	XIE	PART NO: 产品编号: HDGC2006-T-D-L			
X.XX	±0.30	X.XX°	±2°	CHECK: 校对:	WANG	DATE	SCALE	UNIT	CODE NUMBER
X.XXX	±0.10	X.XXX°	±1°	DRAW: 绘图:	WANG	2012-03-10	6:1	mm	A008

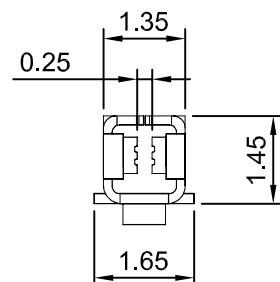
修订 REV	标记 MARK	修改摘要 REVISION DESCRIPTION	签名 SIGNATURE	日期 DATE
AO		NEW RELEASE	WANG	2012-03-10



SEC:A-A



SEC:B-B



Ordering information & Specifications

Unit:mm

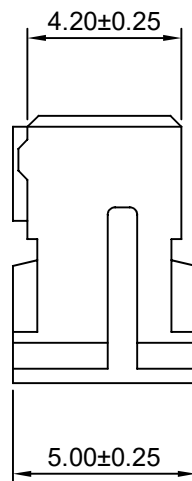
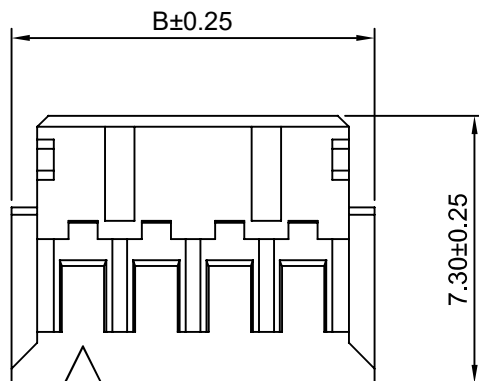
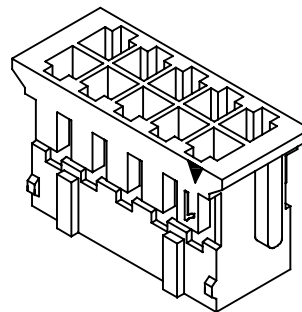
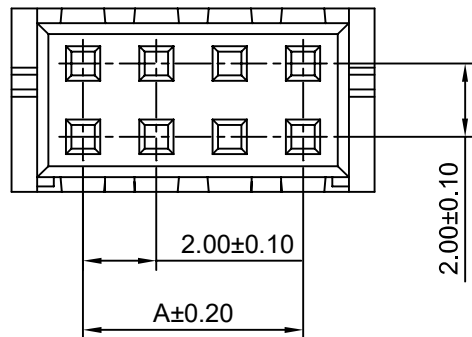
Part No	Wire Range	Insulation O.D.	Material	Finish	Qty/reel
HDGC2006-TP-U	AWG#22-#28	1.50mm(max)	Phosphor Bronze	Tin over Nickel	10,000 PCS
HDGC2006-GP-U	AWG#22-#28	1.50mm(max)	Phosphor Bronze	Gold over Nickel	10,000 PCS

Optional Gold plating available but MOQ requested

HDGC 深圳市华德共创科技有限公司
 Shenzhen Huade co-create Technology Co.,LTD
 TEL : 0755-27129737 FAX : 0755-29940187

-TOLERANCES- UNLESS OTHERWISE SPECIFIED 公差参数表					TITLE: 2.00mm Pitch 产品名称: Crimp Terminal			
X.X	±0.30	X.X°	±3°	APPD: 核准: XIE	PART NO: 产品编号: HDGC2006-T-U			
X.XX	±0.30	X.XX°	±2°	CHECK: 校对: WANG	DATE	SCALE	UNIT	CODE NUMBER
X.XXX	±0.10	X.XXX°	±1°	DRAW: 绘图: WANG	2012-03-10	8:1	mm	A008

修订 REV	标记 MARK	修改摘要 REVISION DESCRIPTION	签名 SIGNATURE	日期 DATE
AO		NEW RELEASE	WANG	2012-03-10



Ordering Information & Dimensions

Circuits	Dimensions(mm)		Circuits	Dimensions(mm)	
	A	B		A	B
2x2P	2.00	5.90	2x14P	26.00	29.90
2x3P	4.00	7.90	2x15P	28.00	31.90
2x4P	6.00	9.90	2x16P	30.00	33.90
2x5P	8.00	11.90	2x17P	32.00	35.90
2x6P	10.00	13.90	2x18P	34.00	37.90
2x7P	12.00	15.90	2x19P	36.00	39.90
2x8P	14.00	17.90	2x20P	38.00	41.90
2x9P	16.00	19.90	2x21P	40.00	43.90
2x10P	18.00	21.90	2x22P	42.00	45.90
2x11P	20.00	23.90	2x23P	44.00	47.90
2x12P	22.00	25.90	2x24P	46.00	49.90
2x13P	24.00	27.90	2x25P	48.00	51.90

SPECIFICATIONS:

Current Rating: 3A AC,DC
 Voltage Rating: 250V AC,DC
 Temperature Range: -25°C ~ +85°C
 Contact Resistance: 10mΩ Max.
 Insulation Resistance: 1000MΩ Min.
 Withstanding Voltage: 800V AC/minute
 Material: Nylon 66,UL94V-0(White)



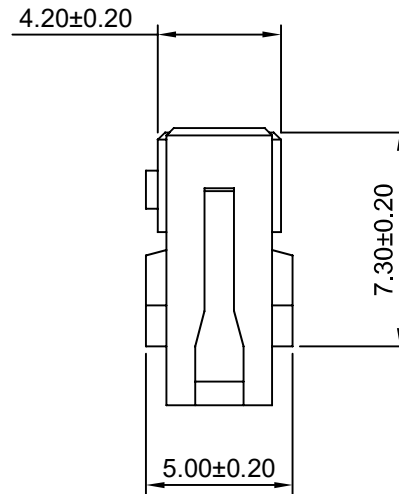
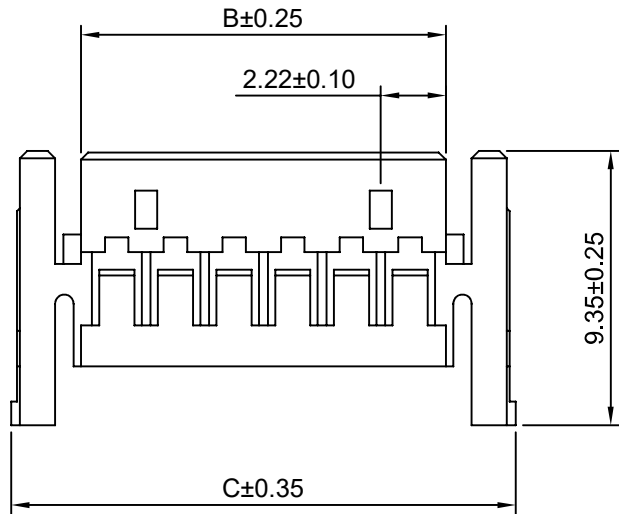
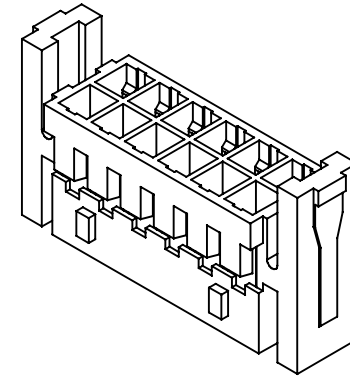
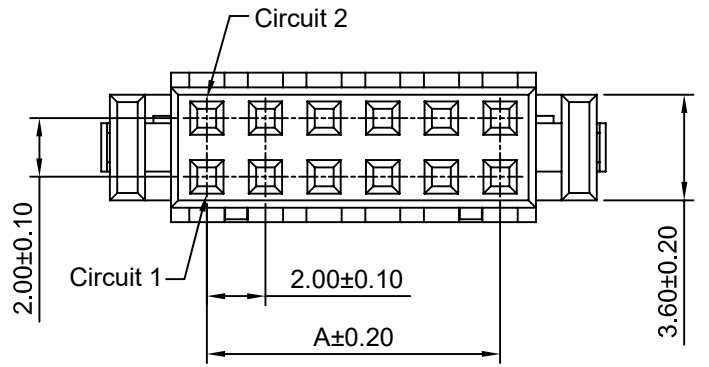
深圳市华德共创科技有限公司

Shenzhen Huade co-create Technology Co.,LTD

TEL : 0755-27129737 FAX : 0755-29940187

-TOLERANCES- UNLESS OTHERWISE SPECIFIED 公差参数表						TITLE: 产品名称 : 2.00mm Pitch Housing			
X.X	±0.30	X.X°	±3°	APPD: 核准 :	XIE	PART NO: 产品编号 : HDGC2006H-2xXP			
X.XX	±0.30	X.XX°	±2°	CHECK: 校对 :	WANG	DATE	SCALE	UNIT	CODE NUMBER
X.XXX	±0.10	X.XXX°	±1°	DRAW: 绘图 :	WANG	2012-03-10	5:1	mm	A008

修订 REV	标记 MARK	修改摘要 REVISION DESCRIPTION	签名 SIGNATURE	日期 DATE
AO		NEW RELEASE	WANG	2012-03-10



Ordering Information & Dimensions

Circuits	Dimensions(mm)			Circuits	Dimensions(mm)		
	A	B	C		A	B	C
2x3P	4.00	6.45	11.60	2x12P	22.00	24.45	29.60
2x4P	6.00	8.45	13.60	2x13P	24.00	26.45	31.60
2x5P	8.00	10.45	15.60	2x14P	26.00	28.45	33.60
2x6P	10.00	12.45	17.60	2x15P	28.00	30.45	35.60
2x7P	12.00	14.45	19.60	2x16P	30.00	32.45	37.60
2x8P	14.00	16.45	21.60	2x17P	32.00	34.45	39.60
2x9P	16.00	18.45	23.60	2x18P	34.00	36.45	41.60
2x10P	18.00	20.45	25.60	2x19P	36.00	38.45	43.60
2x11P	20.00	22.45	27.60	2x20P	38.00	40.45	45.60

SPECIFICATIONS:

Current Rating: 3A AC,DC
Voltage Rating: 250V AC,DC
Temperature Range: -25°C ~ +85°C
Contact Resistance: 10mΩ Max.
Insulation Resistance: 1000MΩ Min.
Withstanding Voltage: 800V AC/minute
Material: Nylon 66,UL94V-0(White)

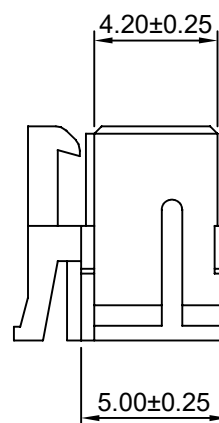
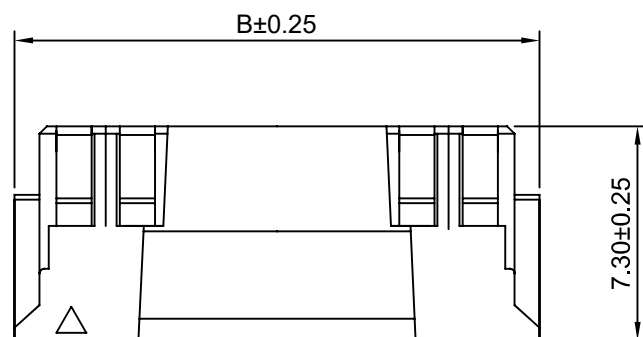
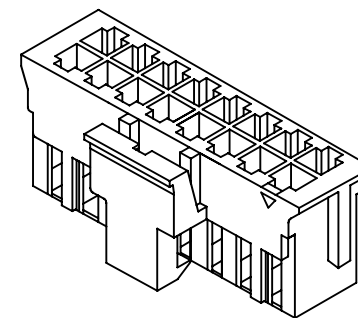
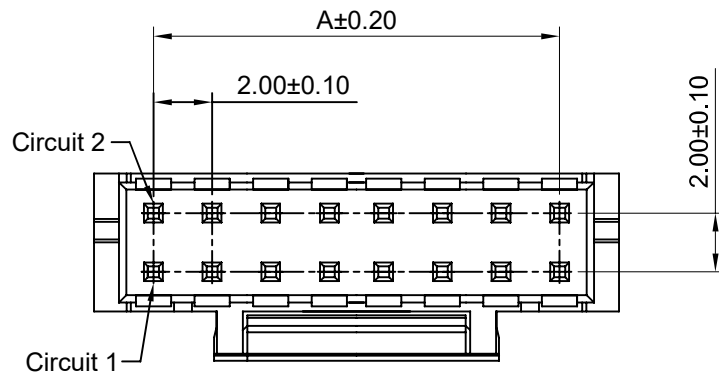


深圳市华德共创科技有限公司

Shenzhen Huade co-create Technology Co.,LTD
TEL : 0755-27129737 FAX : 0755-29940187

-TOLERANCES- UNLESS OTHERWISE SPECIFIED 公差参数表						TITLE: 产品名称: 2.00mm Pitch Housing			
X.X	±0.30	X.X°	±3°	APPD: 核准:	XIE	PART NO: 产品编号: HDGC2006HA-2xXP			
X.XX	±0.30	X.XX°	±2°	CHECK: 校对:	WANG	DATE	SCALE	UNIT	CODE NUMBER
X.XXX	±0.10	X.XXX°	±1°	DRAW: 绘图:	WANG	2012-03-10	4:1	mm	A008

修订 REV	标记 MARK	修改摘要 REVISION DESCRIPTION	签名 SIGNATURE	日期 DATE
AO		NEW RELEASE	WANG	2012-03-10



Ordering Information & Dimensions

Circuits	Dimensions(mm)		Circuits	Dimensions(mm)	
	A	B		A	B
2x2P	2.00	5.90	2x14P	26.00	29.90
2x3P	4.00	7.90	2x15P	28.00	31.90
2x4P	6.00	9.90	2x16P	30.00	33.90
2x5P	8.00	11.90	2x17P	32.00	35.90
2x6P	10.00	13.90	2x18P	34.00	37.90
2x7P	12.00	15.90	2x19P	36.00	39.90
2x8P	14.00	17.90	2x20P	38.00	41.90
2x9P	16.00	19.90	2x21P	40.00	43.90
2x10P	18.00	21.90	2x22P	42.00	45.90
2x11P	20.00	23.90	2x23P	44.00	47.90
2x12P	22.00	25.90	2x24P	46.00	49.90
2x13P	24.00	27.90	2x25P	48.00	51.90

SPECIFICATIONS:

Current Rating: 3A AC,DC
Voltage Rating: 250V AC,DC
Temperature Range: $-25^{\circ}\text{C} \sim +85^{\circ}\text{C}$
Contact Resistance: $10\text{m}\Omega$ Max.
Insulation Resistance: $1000\text{M}\Omega$ Min.
Withstanding Voltage: 800V AC/minute
Material: Nylon 66,UL94V-0(White)



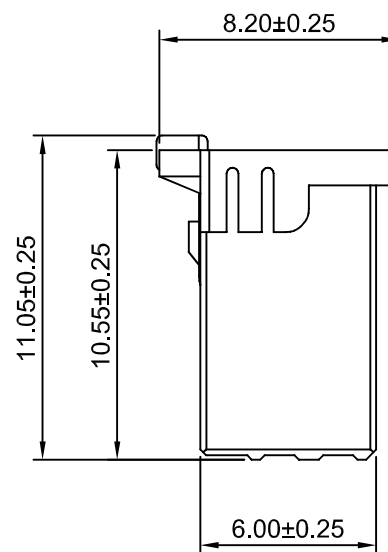
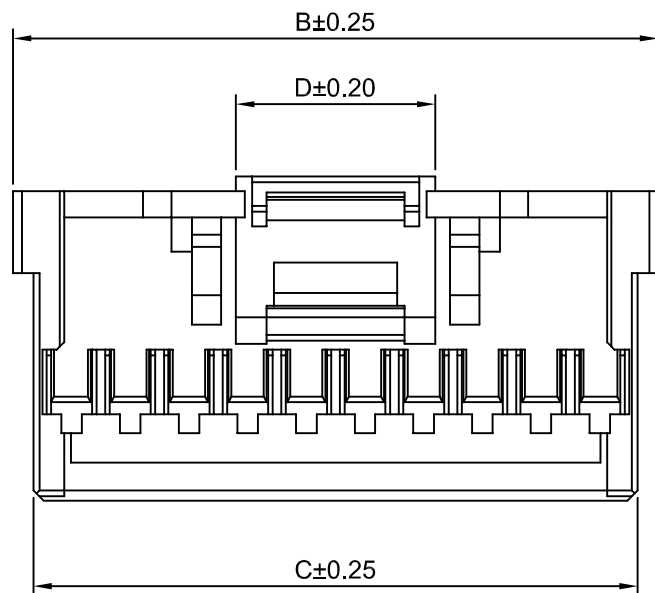
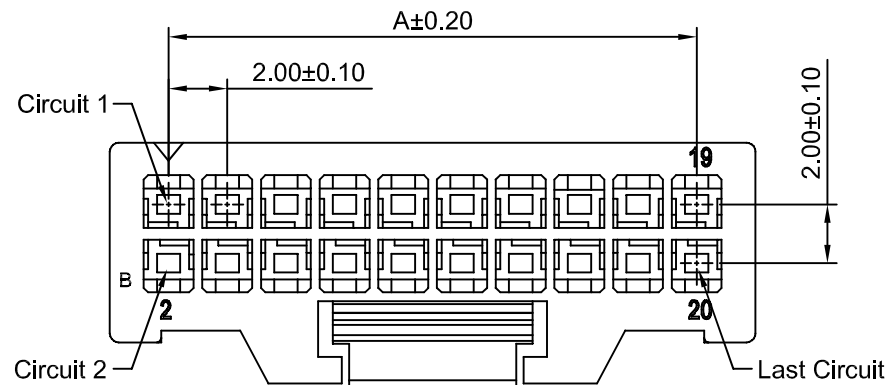
深圳市华德共创科技有限公司

Shenzhen Huade co-create Technology Co.,LTD

TEL : 0755-27129737 FAX : 0755-29940187

-TOLERANCES- UNLESS OTHERWISE SPECIFIED 公差参数表						TITLE: 产品名称: 2.00mm Pitch Housing			
X.X	± 0.30	X.X°	$\pm 3^{\circ}$	APPD: 核准:	XIE	PART NO: 产品编号: HDGC2006HB-2xXP			
X.XX	± 0.30	X.XX°	$\pm 2^{\circ}$	CHECK: 校对:	WANG	DATE	SCALE	UNIT	CODE NUMBER
X.XXX	± 0.10	X.XXX°	$\pm 1^{\circ}$	DRAW: 绘图:	WANG	2012-03-10	4:1	mm	A008

修订 REV	标记 MARK	修改摘要 REVISION DESCRIPTION	签名 SIGNATURE	日期 DATE
AO		NEW RELEASE	WANG	2012-03-10



Ordering Information & Dimensions

Circuits	Dimensions(mm)				Circuits	Dimensions(mm)			
	A	B	C	D		A	B	C	D
2x5P	8.00	12.00	10.60	5.10	2x13P	24.00	28.00	26.60	6.80
2x6P	10.00	14.00	12.60	6.80	2x14P	26.00	30.00	28.60	6.80
2x7P	12.00	16.00	14.60	6.80	2x15P	28.00	32.00	30.60	6.80
2x8P	14.00	18.00	16.60	6.80	2x16P	30.00	34.00	32.60	6.80
2x9P	16.00	20.00	18.60	6.80	2x17P	32.00	36.00	34.60	6.80
2x10P	18.00	22.00	20.60	6.80	2x18P	34.00	38.00	36.60	6.80
2x11P	20.00	24.00	22.60	6.80	2x19P	36.00	40.00	38.60	6.80
2x12P	22.00	26.00	24.60	6.80	2x20P	38.00	42.00	40.60	6.80

SPECIFICATIONS:

Current Rating: 3A AC,DC
Voltage Rating: 250V AC,DC
Temperature Range: -25°C ~ +85°C
Contact Resistance: 10mΩ Max.
Insulation Resistance: 1000MΩ Min.
Withstanding Voltage: 800V AC/minute
Material: Nylon 66,UL94V-0(Beige)



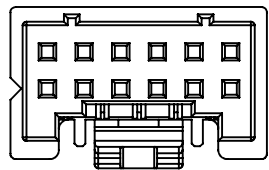
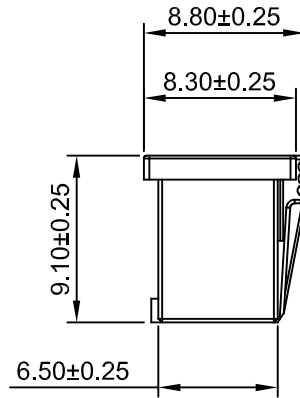
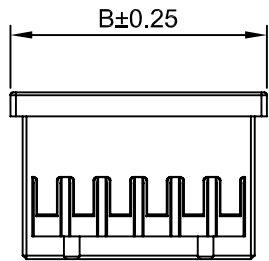
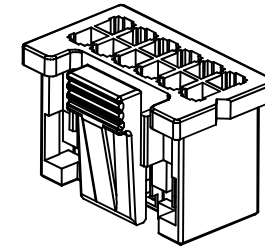
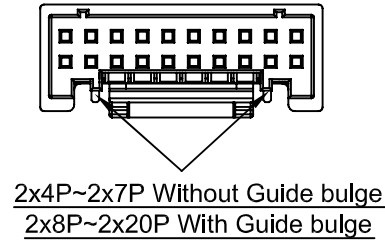
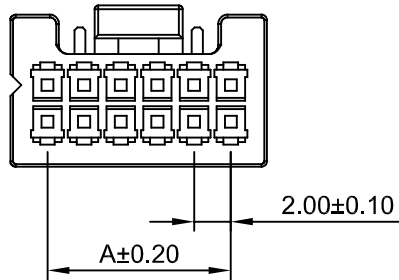
深圳市华德共创科技有限公司

Shenzhen Huade co-create Technology Co.,LTD

TEL : 0755-27129737 FAX : 0755-29940187

-TOLERANCES- UNLESS OTHERWISE SPECIFIED 公差参数表						TITLE: 产品名称: 2.00mm Pitch Housing			
X.X	±0.30	X.X°	±3°	APPD: 核准:	XIE	PART NO: 产品编号: HDGC2006HD-2xXP			
X.XX	±0.30	X.XX°	±2°	CHECK: 校对:	WANG	DATE	SCALE	UNIT	CODE NUMBER
X.XXX	±0.10	X.XXX°	±1°	DRAW: 绘图:	WANG	2012-03-10	4:1	mm	A008

修订 REV	标记 MARK	修改摘要 REVISION DESCRIPTION	签名 SIGNATURE	日期 DATE
AO		NEW RELEASE	WANG	2012-03-10



Ordering Information & Dimensions

Circuits	Dimensions(mm)		Circuits	Dimensions(mm)	
	A	B		A	B
2x4P	6.00	10.00	2x13P	24.00	28.00
2x5P	8.00	12.00	2x14P	26.00	30.00
2x6P	10.00	14.00	2x15P	28.00	32.00
2x7P	12.00	16.00	2x16P	30.00	34.00
2x8P	14.00	18.00	2x17P	32.00	36.00
2x9P	16.00	20.00	2x18P	34.00	38.00
2x10P	18.00	22.00	2x19P	36.00	40.00
2x11P	20.00	24.00	2x20P	38.00	42.00
2x12P	22.00	26.00			

SPECIFICATIONS:

Current Rating: 3A AC,DC
Voltage Rating: 250V AC,DC
Temperature Range: -25°C ~ +85°C
Contact Resistance: 10mΩ Max.
Insulation Resistance: 1000MΩ Min.
Withstanding Voltage: 800V AC/minute
Material: Nylon66,UL94V-0(Natural)

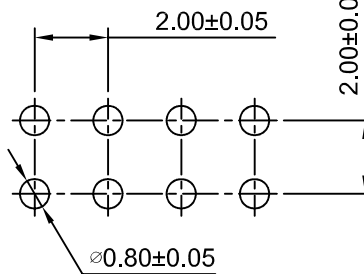
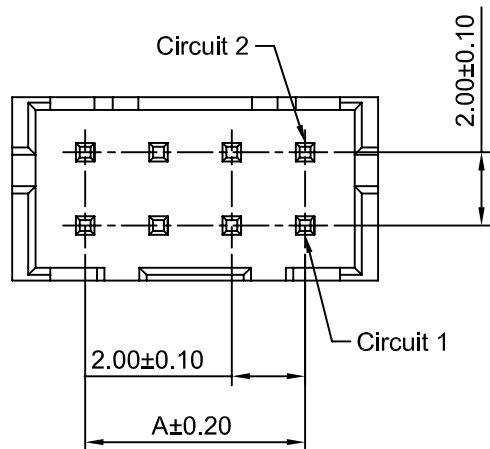


深圳市华德共创科技有限公司

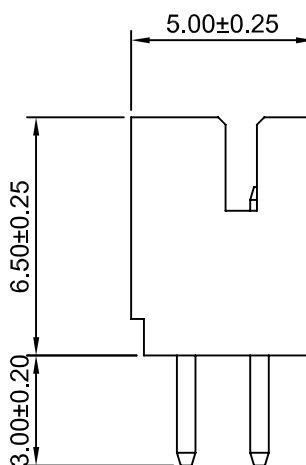
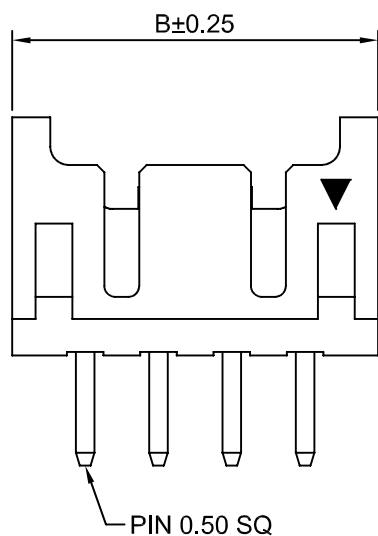
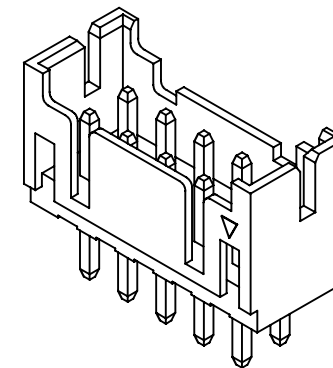
Shenzhen Huade co-create Technology Co.,LTD
TEL : 0755-27129737 FAX : 0755-29940187

-TOLERANCES- UNLESS OTHERWISE SPECIFIED 公差参数表						TITLE: 产品名称: 2.00mm Pitch Housing			
X.X	±0.30	X.X°	±3°	APPD: 核准:	XIE	PART NO: 产品编号: HDGC2006HU-2xXP			
X.XX	±0.30	X.XX°	±2°	CHECK: 校对:	WANG	DATE	SCALE	UNIT	CODE NUMBER
X.XXX	±0.10	X.XXX°	±1°	DRAW: 绘图:	WANG	2012-03-10	5:1	mm	A008

修订 REV	标记 MARK	修改摘要 REVISION DESCRIPTION	签名 SIGNATURE	日期 DATE
AO		NEW RELEASE	WANG	2012-03-10



P.C.B LAYOUT



Ordering Information & Dimensions

Circuits	Dimensions(mm)		Circuits	Dimensions(mm)	
	A	B		A	B
2x2P	2.00	6.00	2x14P	26.00	30.00
2x3P	4.00	8.00	2x15P	28.00	32.00
2x4P	6.00	10.00	2x16P	30.00	34.00
2x5P	8.00	12.00	2x17P	32.00	36.00
2x6P	10.00	14.00	2x18P	34.00	38.00
2x7P	12.00	16.00	2x19P	36.00	40.00
2x8P	14.00	18.00	2x20P	38.00	42.00
2x9P	16.00	20.00	2x21P	40.00	44.00
2x10P	18.00	22.00	2x22P	42.00	46.00
2x11P	20.00	24.00	2x23P	44.00	48.00
2x12P	22.00	26.00	2x24P	46.00	50.00
2x13P	24.00	28.00	2x25P	48.00	52.00

SPECIFICATIONS:

Current Rating: 3A AC,DC
Voltage Rating: 250V AC,DC
Temperature Range: -25°C ~ +85°C
Contact Resistance: 10mΩ Max.
Insulation Resistance: 1000MΩ Min.
Withstanding Voltage: 800V AC/minute
Pin Material: Brass/Tin over Nickel
Material: Nylon 66,UL94V-0(Gray)



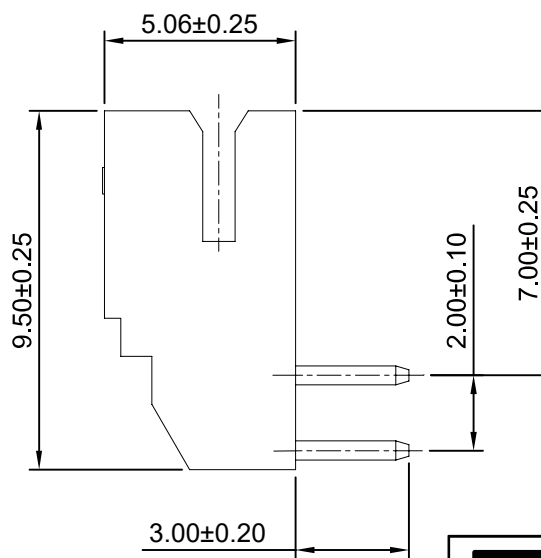
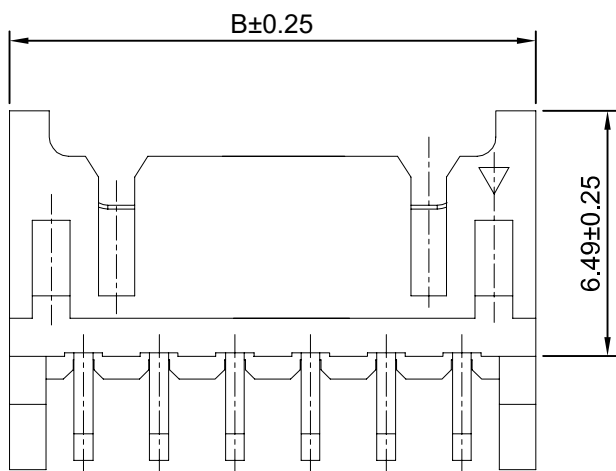
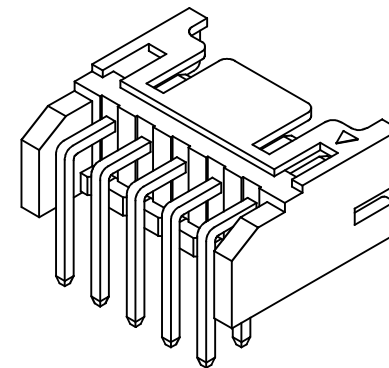
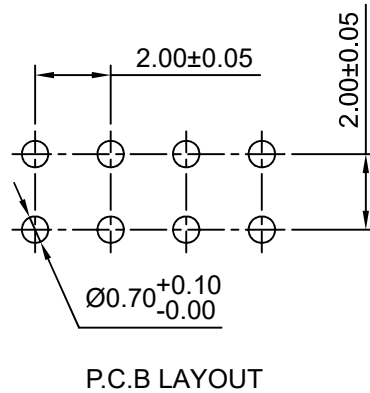
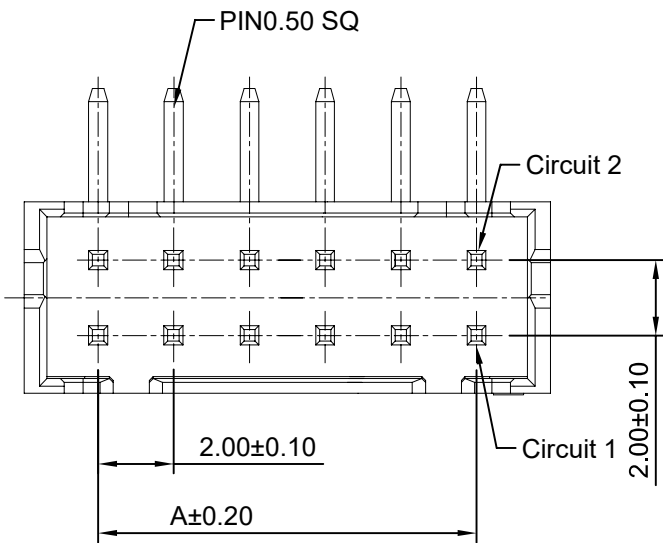
深圳市华德共创科技有限公司

Shenzhen Huade co-create Technology Co.,LTD

TEL : 0755-27129737 FAX : 0755-29940187

-TOLERANCES- UNLESS OTHERWISE SPECIFIED 公差参数表				TITLE: 产品名称: 2.00mm Pitch 180° Wafer	
X.X	±0.30	X.X°	±3°	APPD: 核准:	XIE
X.XX	±0.30	X.XX°	±2°	CHECK: 校对:	WANG
X.XXX	±0.10	X.XXX°	±1°	DRAW: 绘图:	WANG
PART NO: 产品编号:		HDGC2006WV-2xXP			
DATE	SCALE	UNIT	CODE NUMBER		
2012-03-10	5:1	mm	A008		

修订 REV	标记 MARK	修改摘要 REVISION DESCRIPTION	签名 SIGNATURE	日期 DATE
AO		NEW RELEASE	WANG	2012-03-10



Ordering Information & Dimensions

Circuits	Dimensions(mm)		Circuits	Dimensions(mm)	
	A	B		A	B
2x2P	2.00	6.00	2x14P	26.00	30.00
2x3P	4.00	8.00	2x15P	28.00	32.00
2x4P	6.00	10.00	2x16P	30.00	34.00
2x5P	8.00	12.00	2x17P	32.00	36.00
2x6P	10.00	14.00	2x18P	34.00	38.00
2x7P	12.00	16.00	2x19P	36.00	40.00
2x8P	14.00	18.00	2x20P	38.00	42.00
2x9P	16.00	20.00	2x21P	40.00	44.00
2x10P	18.00	22.00	2x22P	42.00	46.00
2x11P	20.00	24.00	2x23P	44.00	48.00
2x12P	22.00	26.00	2x24P	46.00	50.00
2x13P	24.00	28.00	2x25P	48.00	52.00

SPECIFICATIONS:

Current Rating: 3A AC,DC
 Voltage Rating: 250V AC,DC
 Temperature Range: -25°C ~ +85°C
 Contact Resistance: 10mΩ Max.
 Insulation Resistance: 1000MΩ Min.
 Withstanding Voltage: 800V AC/minute
 Pin Material: Brass/Tin over Nickel
 Material: Nylon 66,UL94V-0(Gray)

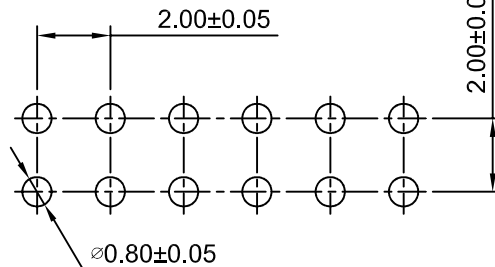
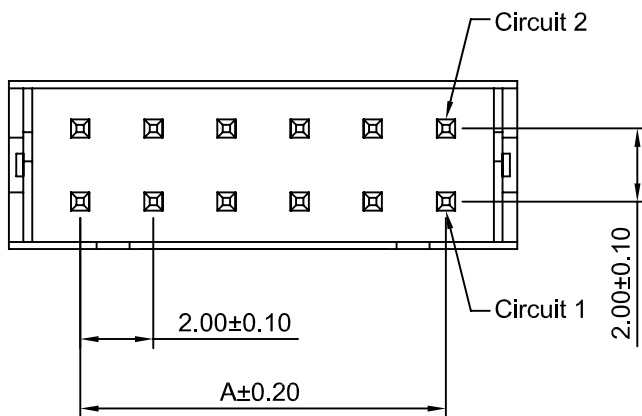


深圳市华德共创科技有限公司

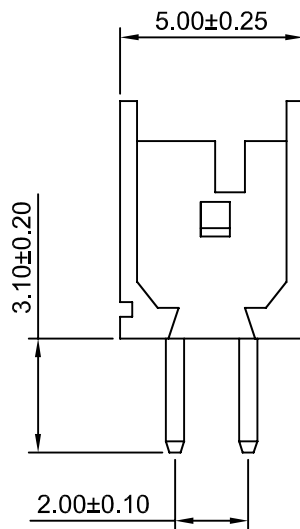
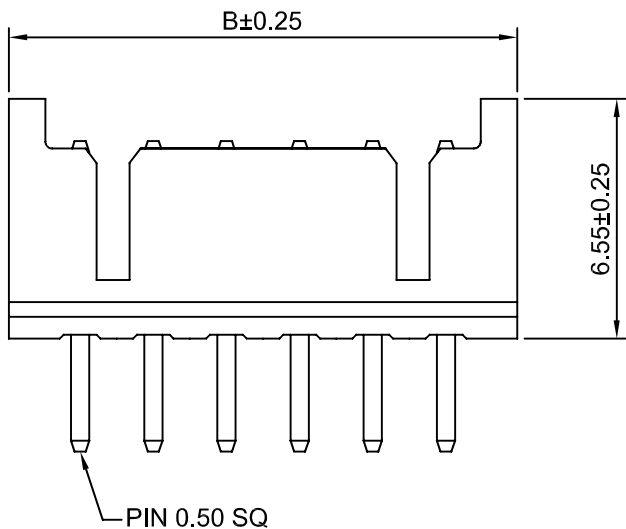
Shenzhen Huade co-create Technology Co.,LTD
 TEL : 0755-27129737 FAX : 0755-29940187

-TOLERANCES- UNLESS OTHERWISE SPECIFIED 公差参数表				 		TITLE: 产品名称: 2.00mm Pitch 90° Wafer			
X.X	±0.30	X.X°	±3°	APPD: 核准:	XIE	PART NO: 产品编号: HDGC2006WR-2xXP			
X.XX	±0.30	X.XX°	±2°	CHECK: 校对:	WANG	DATE	SCALE	UNIT	CODE NUMBER
X.XXX	±0.10	X.XXX°	±1°	DRAW: 绘图:	WANG	2012-03-10	5:1	mm	A008

修订 REV	标记 MARK	修改摘要 REVISION DESCRIPTION	签名 SIGNATURE	日期 DATE
AO		NEW RELEASE	WANG	2012-03-10



P.C.B LAYOUT



Ordering Information & Dimensions

Circuits	Dimensions(mm)		Circuits	Dimensions(mm)	
	A	B		A	B
2x2P	2.00	8.00	2x14P	26.00	32.00
2x3P	4.00	10.00	2x15P	28.00	34.00
2x4P	6.00	12.00	2x16P	30.00	36.00
2x5P	8.00	14.00	2x17P	32.00	38.00
2x6P	10.00	16.00	2x18P	34.00	40.00
2x7P	12.00	18.00	2x19P	36.00	42.00
2x8P	14.00	20.00	2x20P	38.00	44.00
2x9P	16.00	22.00	2x21P	40.00	46.00
2x10P	18.00	24.00	2x22P	42.00	48.00
2x11P	20.00	26.00	2x23P	44.00	50.00
2x12P	22.00	28.00	2x24P	46.00	52.00
2x13P	24.00	30.00	2x25P	48.00	54.00

SPECIFICATIONS:

Current Rating: 3A AC,DC
Voltage Rating: 250V AC,DC
Temperature Range: -25°C ~ +85°C
Contact Resistance: 10mΩ Max.
Insulation Resistance: 1000MΩ Min.
Withstanding Voltage: 800V AC/minute
Pin Material: Brass/Tin over Nickel
Material: Nylon 66,UL94V-0(Gray)



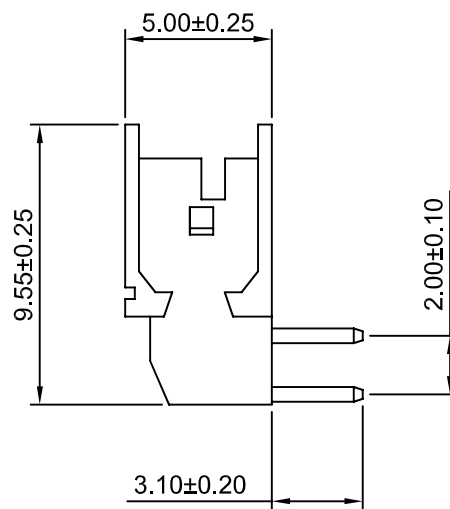
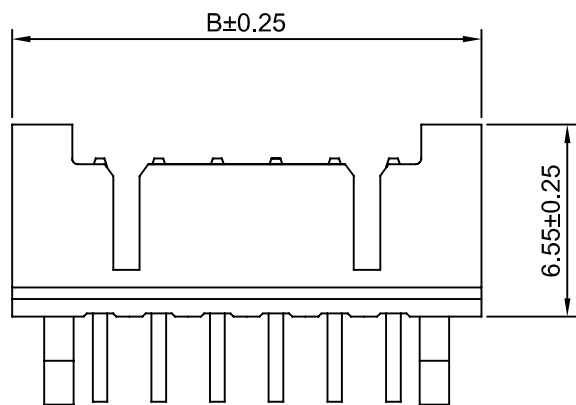
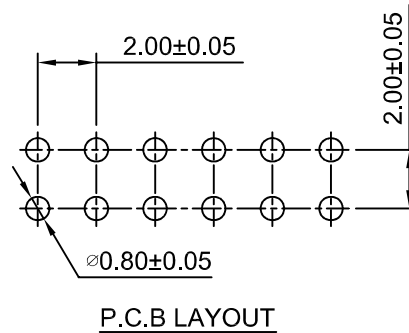
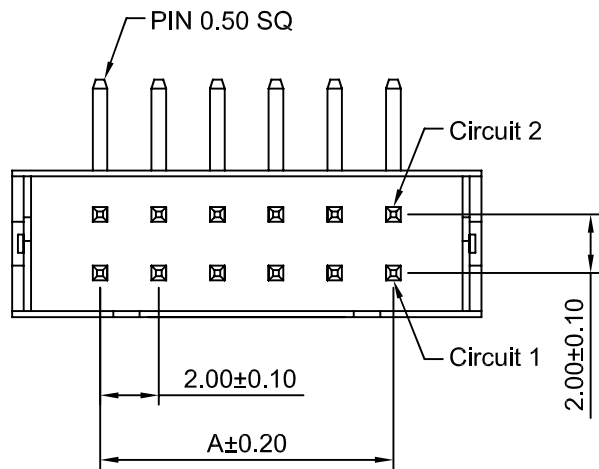
深圳市华德共创科技有限公司

Shenzhen Huade co-create Technology Co.,LTD

TEL : 0755-27129737 FAX : 0755-29940187

-TOLERANCES- UNLESS OTHERWISE SPECIFIED 公差参数表				TITLE: 产品名称: 2.00mm Pitch 180° Wafer	
X.X	±0.30	X.X°	±3°	APPD: 核准:	XIE
X.XX	±0.30	X.XX°	±2°	CHECK: 校对:	WANG
X.XXX	±0.10	X.XXX°	±1°	DRAW: 绘图:	WANG
PART NO: 产品编号:		HDGC2006WVA-2xXP			
DATE	SCALE	UNIT	CODE NUMBER		
2012-03-10	5:1	mm	A008		

修订 REV	标记 MARK	修改摘要 REVISION DESCRIPTION	签名 SIGNATURE	日期 DATE
AO		NEW RELEASE	WANG	2012-03-10



Ordering Information & Dimensions

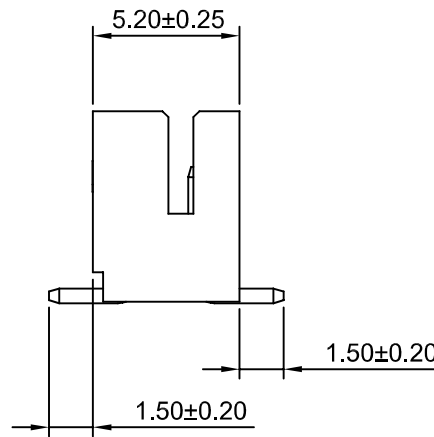
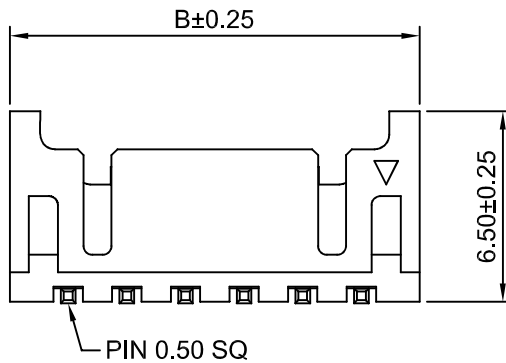
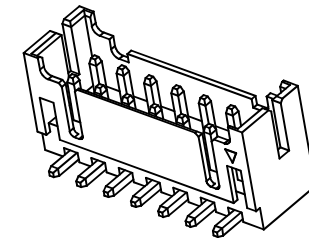
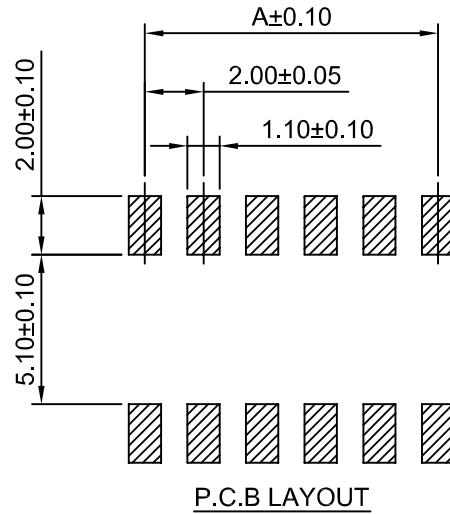
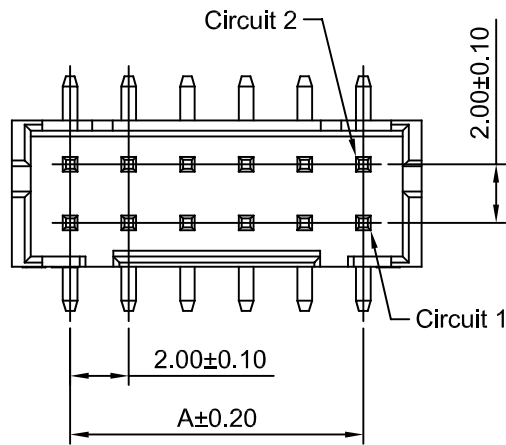
Circuits	Dimensions(mm)		Circuits	Dimensions(mm)	
	A	B		A	B
2x2P	2.00	8.00	2x14P	26.00	32.00
2x3P	4.00	10.00	2x15P	28.00	34.00
2x4P	6.00	12.00	2x16P	30.00	36.00
2x5P	8.00	14.00	2x17P	32.00	38.00
2x6P	10.00	16.00	2x18P	34.00	40.00
2x7P	12.00	18.00	2x19P	36.00	42.00
2x8P	14.00	20.00	2x20P	38.00	44.00
2x9P	16.00	22.00	2x21P	40.00	46.00
2x10P	18.00	24.00	2x22P	42.00	48.00
2x11P	20.00	26.00	2x23P	44.00	50.00
2x12P	22.00	28.00	2x24P	46.00	52.00
2x13P	24.00	30.00	2x25P	48.00	54.00

SPECIFICATIONS:
 Current Rating: 3A AC,DC
 Voltage Rating: 250V AC,DC
 Temperature Range: -25°C ~ +85°C
 Contact Resistance: 10mΩ Max.
 Insulation Resistance: 1000MΩ Min.
 Withstanding Voltage: 800V AC/minute
 Pin Material: Brass/Tin over Nickel
 Material: Nylon 66,UL94V-0(Gray)

深圳市华德共创科技有限公司
 Shenzhen Huade co-create Technology Co.,LTD
 TEL : 0755-27129737 FAX : 0755-29940187

-TOLERANCES- UNLESS OTHERWISE SPECIFIED 公差参数表					TITLE: 2.00mm Pitch 产品名称: 90° Wafer			
X.X	±0.30	X.X°	±3°	APPD: 核准:	XIE			
X.XX	±0.30	X.XX°	±2°	CHECK: 校对:	WANG			
X.XXX	±0.10	X.XXX°	±1°	DRAW: 绘图:	WANG			
PART NO: 产品编号:					HDGC2006WRA-2xXP			
DATE		SCALE	UNIT	CODE NUMBER				
2012-03-10		4:1	mm	A008				

修订 REV	标记 MARK	修改摘要 REVISION DESCRIPTION	签名 SIGNATURE	日期 DATE
AO		NEW RELEASE	WANG	2012-03-10



Ordering Information & Dimensions

Circuits	Dimensions(mm)		Circuits	Dimensions(mm)	
	A	B		A	B
2x2P	2.00	6.00	2x14P	26.00	30.00
2x3P	4.00	8.00	2x15P	28.00	32.00
2x4P	6.00	10.00	2x16P	30.00	34.00
2x5P	8.00	12.00	2x17P	32.00	36.00
2x6P	10.00	14.00	2x18P	34.00	38.00
2x7P	12.00	16.00	2x19P	36.00	40.00
2x8P	14.00	18.00	2x20P	38.00	42.00
2x9P	16.00	20.00	2x21P	40.00	44.00
2x10P	18.00	22.00	2x22P	42.00	46.00
2x11P	20.00	24.00	2x23P	44.00	48.00
2x12P	22.00	26.00	2x24P	46.00	50.00
2x13P	24.00	28.00	2x25P	48.00	52.00

SPECIFICATIONS:

Current Rating: 3A AC,DC
Voltage Rating: 250V AC,DC
Temperature Range: -25°C ~ +85°C
Contact Resistance: 10mΩ Max.
Insulation Resistance: 1000MΩ Min.
Withstanding Voltage: 800V AC/minute
Pin Material: Brass/Tin over Nickel
Material: Nylon 6T,UL94V-0(Ivory)

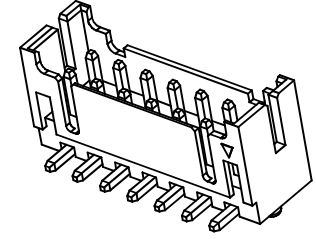
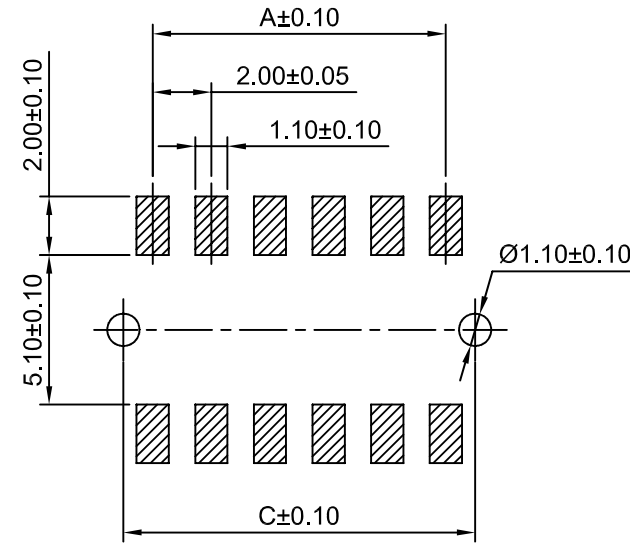
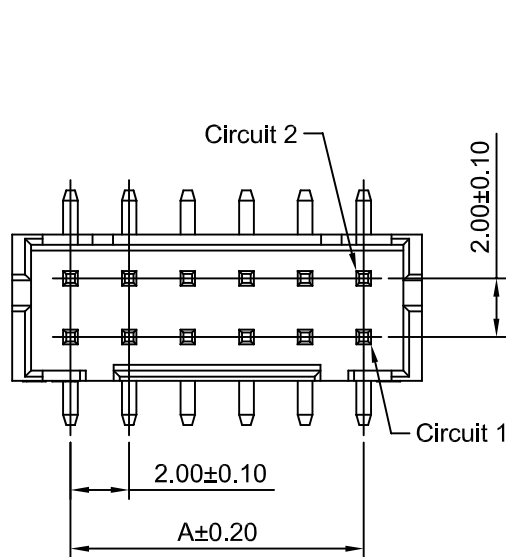


深圳市华德共创科技有限公司

Shenzhen Huade co-create Technology Co.,LTD
TEL : 0755-27129737 FAX : 0755-29940187

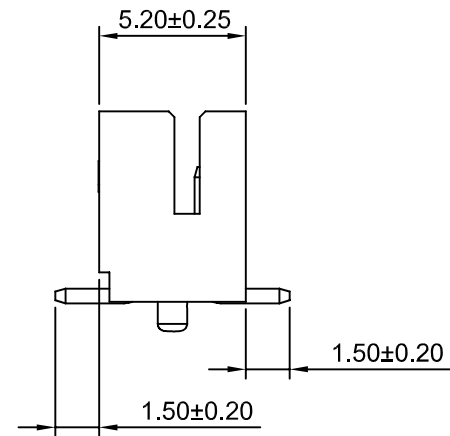
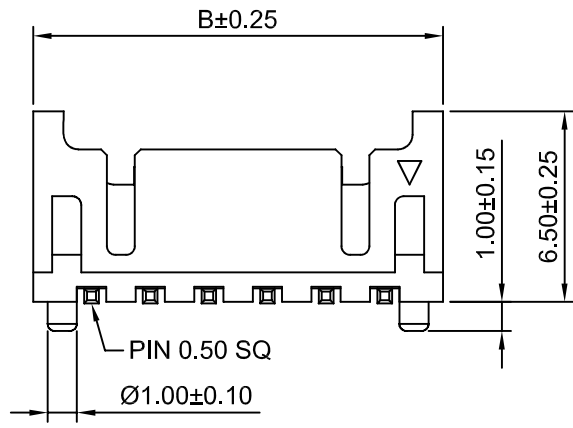
-TOLERANCES- UNLESS OTHERWISE SPECIFIED 公差参数表				TITLE: 产品名称: 2.00mm Pitch 180° Wafer	
X.X	±0.30	X.X°	±3°	APPD: 核准:	XIE
X.XX	±0.30	X.XX°	±2°	CHECK: 校对:	WANG
X.XXX	±0.10	X.XXX°	±1°	DRAW: 绘图:	WANG
PART NO: 产品编号:		HDGC2006WV-S-2xXP			
DATE	SCALE	UNIT	CODE NUMBER		
2012-03-10	4:1	mm	A008		

修订 REV	标记 MARK	修改摘要 REVISION DESCRIPTION	签名 SIGNATURE	日期 DATE
AO		NEW RELEASE	WANG	2012-03-10



Ordering Information & Dimensions

Circuits	Dimensions(mm)			Circuits	Dimensions(mm)		
	A	B	C		A	B	C
2x2P	2.00	6.00	4.00	2x14P	26.00	30.00	28.00
2x3P	4.00	8.00	6.00	2x15P	28.00	32.00	30.00
2x4P	6.00	10.00	8.00	2x16P	30.00	34.00	32.00
2x5P	8.00	12.00	10.00	2x17P	32.00	36.00	34.00
2x6P	10.00	14.00	12.00	2x18P	34.00	38.00	36.00
2x7P	12.00	16.00	14.00	2x19P	36.00	40.00	38.00
2x8P	14.00	18.00	16.00	2x20P	38.00	42.00	40.00
2x9P	16.00	20.00	18.00	2x21P	40.00	44.00	42.00
2x10P	18.00	22.00	20.00	2x22P	42.00	46.00	44.00
2x11P	20.00	24.00	22.00	2x23P	44.00	48.00	46.00
2x12P	22.00	26.00	24.00	2x24P	46.00	50.00	48.00
2x13P	24.00	28.00	26.00	2x25P	48.00	52.00	50.00



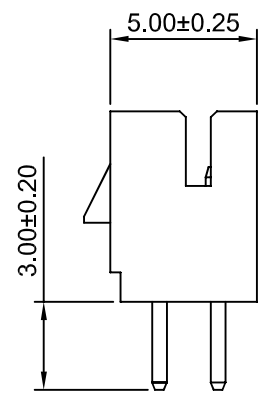
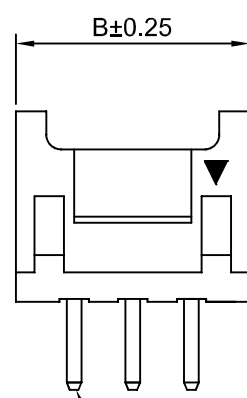
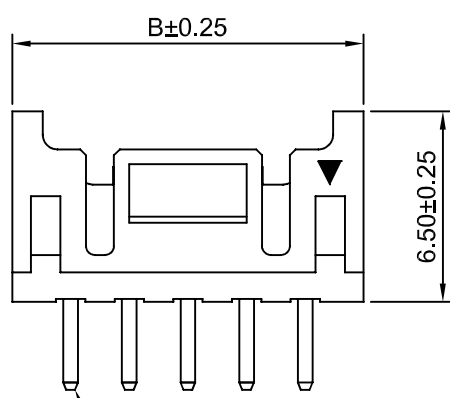
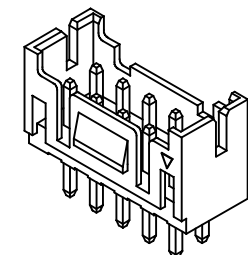
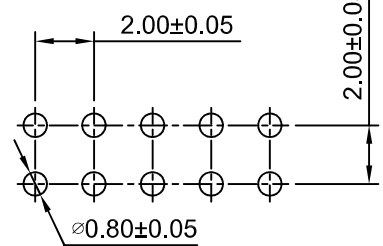
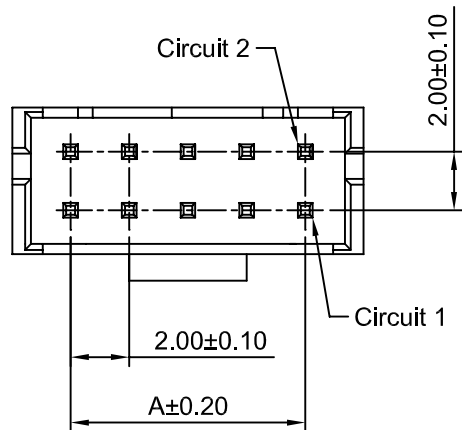
SPECIFICATIONS:
 Current Rating: 3A AC,DC
 Voltage Rating: 250V AC,DC
 Temperature Range: -25°C ~ +85°C
 Contact Resistance: 10mΩ Max.
 Insulation Resistance: 1000MΩ Min.
 Withstanding Voltage: 800V AC/minute
 Pin Material: Brass/Tin over Nickel
 Material: Nylon 6T,UL94V-0(Ivory)



深圳市华德共创科技有限公司
 Shenzhen Huade co-create Technology Co.,LTD
 TEL : 0755-27129737 FAX : 0755-29940187

-TOLERANCES- UNLESS OTHERWISE SPECIFIED 公差参数表					TITLE: 2.00mm Pitch 产品名称: 180° Wafer			
X.X	±0.30	X.X°	±3°	APPD: 核准: XIE	PART NO: 产品编号: HDGC2006WV-S-F-2xXP			
X.XX	±0.30	X.XX°	±2°	CHECK: 校对: WANG	DATE	SCALE	UNIT	CODE NUMBER
X.XXX	±0.10	X.XXX°	±1°	DRAW: 绘图: WANG	2012-03-10	4:1	mm	A008

修订 REV	标记 MARK	修改摘要 REVISION DESCRIPTION	签名 SIGNATURE	日期 DATE
AO		NEW RELEASE	WANG	2012-03-10



PIN 0.5 SQ
2x5~2x20P

PIN 0.5 SQ
2x2~2x4P

Ordering Information & Dimensions

Circuits	Dimensions(mm)		Circuits	Dimensions(mm)	
	A	B		A	B
2x2P	2.00	6.00	2x14P	26.00	30.00
2x3P	4.00	8.00	2x15P	28.00	32.00
2x4P	6.00	10.00	2x16P	30.00	34.00
2x5P	8.00	12.00	2x17P	32.00	36.00
2x6P	10.00	14.00	2x18P	34.00	38.00
2x7P	12.00	16.00	2x19P	36.00	40.00
2x8P	14.00	18.00	2x20P	38.00	42.00
2x9P	16.00	20.00	2x21P	40.00	44.00
2x10P	18.00	22.00	2x22P	42.00	46.00
2x11P	20.00	24.00	2x23P	44.00	48.00
2x12P	22.00	26.00	2x24P	46.00	50.00
2x13P	24.00	28.00	2x25P	48.00	52.00

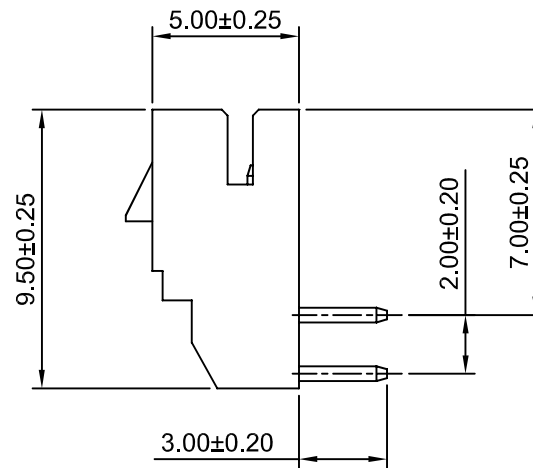
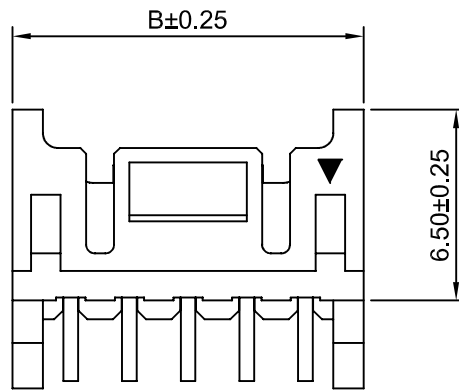
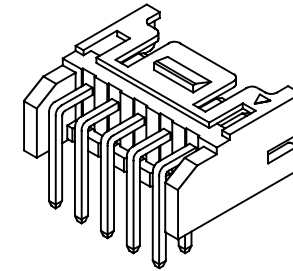
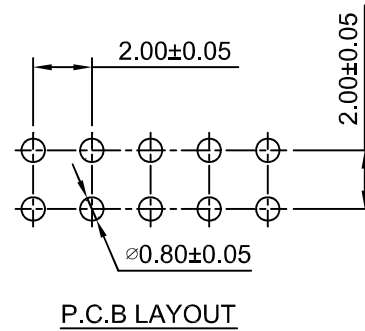
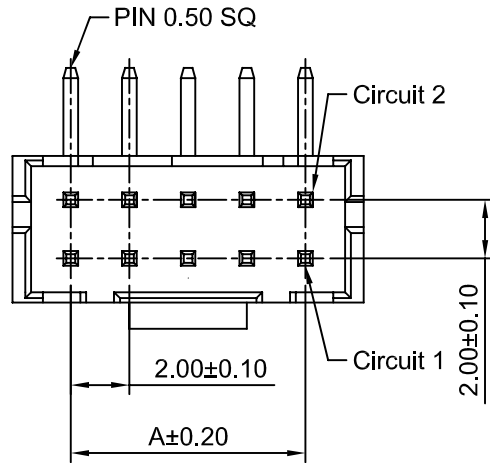
SPECIFICATIONS:

Current Rating: 3A AC,DC
Voltage Rating: 250V AC,DC
Temperature Range: -25°C ~ +85°C
Contact Resistance: 10mΩ Max.
Insulation Resistance: 1000MΩ Min.
Withstanding Voltage: 800V AC/minute
Pin Material: Brass/Tin over Nickel
Material: Nylon 66,UL94V-0(Gray)

深圳市华德共创科技有限公司
Shenzhen Huade co-create Technology Co.,LTD
TEL : 0755-27129737 FAX : 0755-29940187

-TOLERANCES- UNLESS OTHERWISE SPECIFIED 公差参数表				TITLE: 2.00mm Pitch 产品名称: 180° Wafer							
X.X	±0.30	X.X°	±3°	APPD: 核准:	XIE			PART NO: 产品编号:	HDGC2006WVB-2xXP		
X.XX	±0.30	X.XX°	±2°	CHECK: 校对:	WANG			DATE	SCALE	UNIT	CODE NUMBER
X.XXX	±0.10	X.XXX°	±1°	DRAW: 绘图:	WANG			2012-03-10	4:1	mm	A008

修订 REV	标记 MARK	修改摘要 REVISION DESCRIPTION	签名 SIGNATURE	日期 DATE
AO		NEW RELEASE	WANG	2012-03-10



Ordering Information & Dimensions

Circuits	Dimensions(mm)		Circuits	Dimensions(mm)	
	A	B		A	B
2x2P	2.00	6.00	2x14P	26.00	30.00
2x3P	4.00	8.00	2x15P	28.00	32.00
2x4P	6.00	10.00	2x16P	30.00	34.00
2x5P	8.00	12.00	2x17P	32.00	36.00
2x6P	10.00	14.00	2x18P	34.00	38.00
2x7P	12.00	16.00	2x19P	36.00	40.00
2x8P	14.00	18.00	2x20P	38.00	42.00
2x9P	16.00	20.00	2x21P	40.00	44.00
2x10P	18.00	22.00	2x22P	42.00	46.00
2x11P	20.00	24.00	2x23P	44.00	48.00
2x12P	22.00	26.00	2x24P	46.00	50.00
2x13P	24.00	28.00	2x25P	48.00	52.00

SPECIFICATIONS:

Current Rating: 3A AC,DC
Voltage Rating: 250V AC,DC
Temperature Range: -25°C ~ +85°C
Contact Resistance: 10mΩ Max.
Insulation Resistance: 1000MΩ Min.
Withstanding Voltage: 800V AC/minute
Pin Material: Brass/Tin over Nickel
Material: Nylon 66,UL94V-0(White)

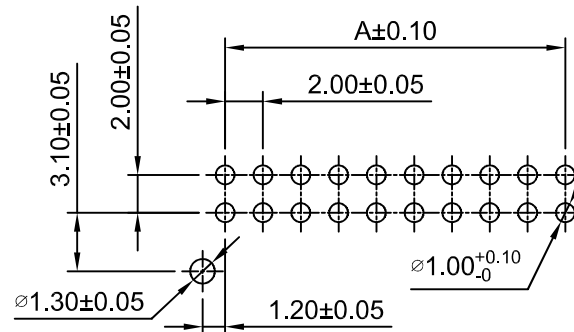
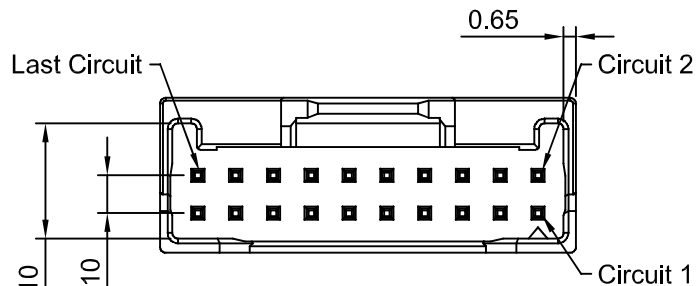


深圳市华德共创科技有限公司

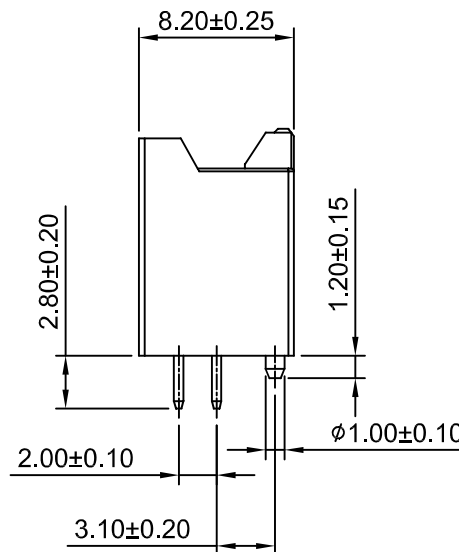
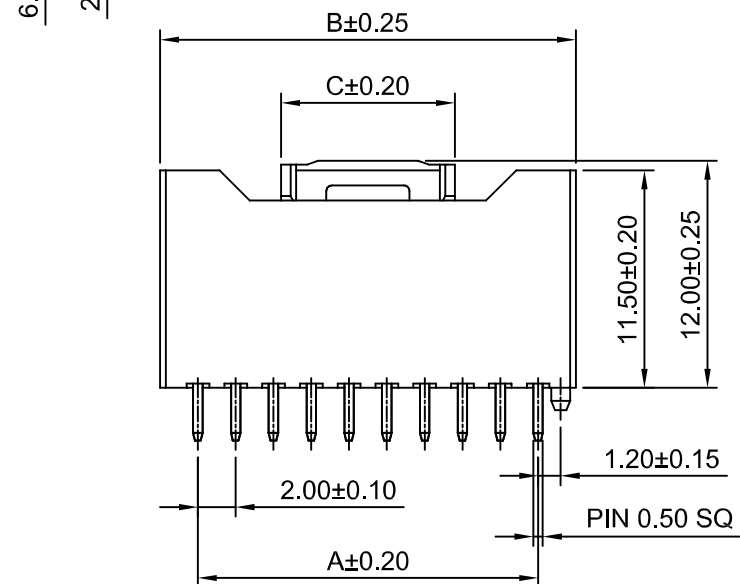
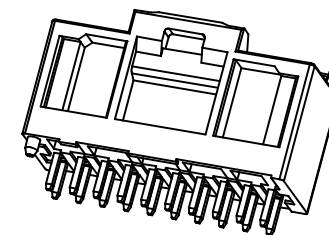
Shenzhen Huade co-create Technology Co.,LTD
TEL : 0755-27129737 FAX : 0755-29940187

-TOLERANCES- UNLESS OTHERWISE SPECIFIED 公差参数表				TITLE: 产品名称 : 2.00mm Pitch 90° Wafer	
X.X	±0.30	X.X°	±3°	APPD: 核准:	XIE
X.XX	±0.30	X.XX°	±2°	CHECK: 校对:	WANG
X.XXX	±0.10	X.XXX°	±1°	DRAW: 绘图:	WANG
PART NO: 产品编号 :		HDGC2006WRB-2xXP			
DATE	SCALE	UNIT	CODE NUMBER		
2012-03-10	4:1	mm	A008		

修订 REV	标记 MARK	修改摘要 REVISION DESCRIPTION	签名 SIGNATURE	日期 DATE
AO		NEW RELEASE	WANG	2012-03-10



P.C.B LAYOUT



Ordering Information & Dimensions

Circuits	Dimensions(mm)			Circuits	Dimensions(mm)		
	A	B	C		A	B	C
2x5P	8.00	12.00	7.30	2x13P	24.00	28.00	9.20
2x6P	10.00	14.00	9.20	2x14P	26.00	30.00	9.20
2x7P	12.00	16.00	9.20	2x15P	28.00	32.00	9.20
2x8P	14.00	18.00	9.20	2x16P	30.00	34.00	9.20
2x9P	16.00	20.00	9.20	2x17P	32.00	36.00	9.20
2x10P	18.00	22.00	9.20	2x18P	34.00	38.00	9.20
2x11P	20.00	24.00	9.20	2x19P	36.00	40.00	9.20
2x12P	22.00	26.00	9.20	2x20P	38.00	42.00	9.20

SPECIFICATIONS:

Current Rating: 3A AC,DC
Voltage Rating: 250V AC,DC
Temperature Range:
Contact Resistance: 10mΩ Max.
Insulation Resistance: 1000MΩ Min.
Withstanding Voltage: 800V AC/minute
Pin Material: Brass/Tin over Nickel
Material: Nylon 66,UL94V-0(Beige)



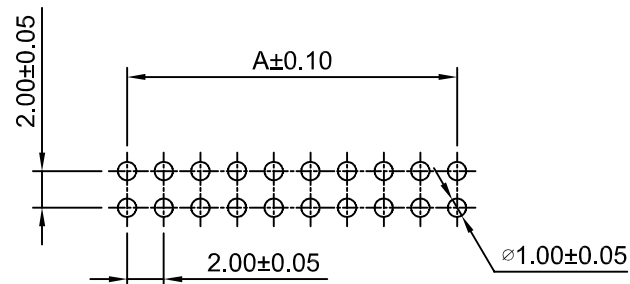
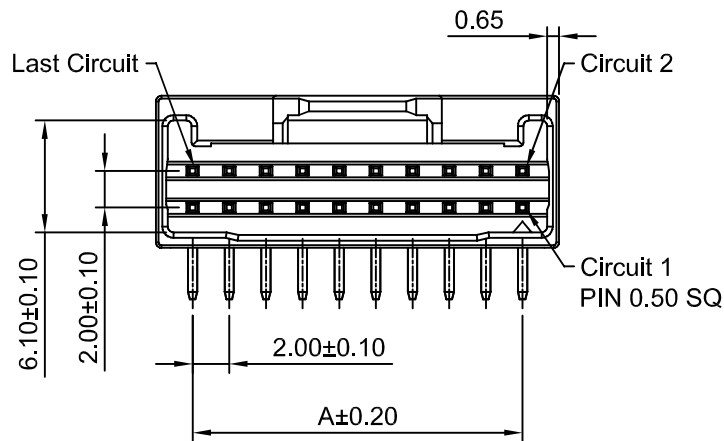
深圳市华德共创科技有限公司

Shenzhen Huade co-create Technology Co.,LTD

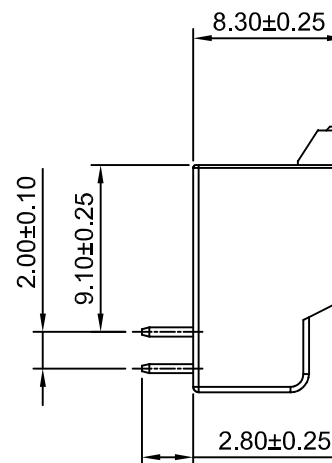
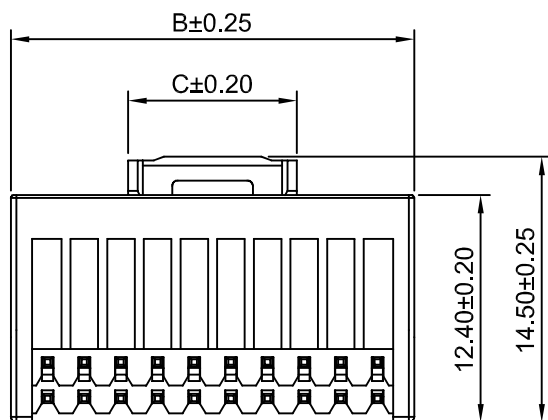
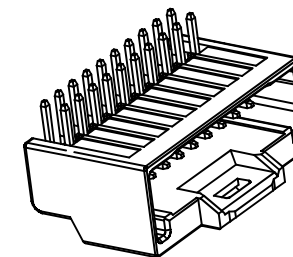
TEL : 0755-27129737 FAX : 0755-29940187

-TOLERANCES- UNLESS OTHERWISE SPECIFIED 公差参数表						TITLE: 产品名称: 2.00mm Pitch 180° Wafer			
X.X	±0.30	X.X°	±3°	APPD: 核准:	XIE	PART NO: 产品编号: HDGC2006WVD-2xXP			
X.XX	±0.30	X.XX°	±2°	CHECK: 校对:	WANG	DATE	SCALE	UNIT	CODE NUMBER
X.XXX	±0.10	X.XXX°	±1°	DRAW: 绘图:	WANG	2012-03-10	2.5:1	mm	A008

修订 REV	标记 MARK	修改摘要 REVISION DESCRIPTION	签名 SIGNATURE	日期 DATE
AO		NEW RELEASE	WANG	2012-03-10



P.C.B LAYOUT



Ordering Information & Dimensions

Circuits	Dimensions(mm)			Circuits	Dimensions(mm)		
	A	B	C		A	B	C
2x5P	8.00	12.00	7.30	2x13P	24.00	28.00	9.20
2x6P	10.00	14.00	9.20	2x14P	26.00	30.00	9.20
2x7P	12.00	16.00	9.20	2x15P	28.00	32.00	9.20
2x8P	14.00	18.00	9.20	2x16P	30.00	34.00	9.20
2x9P	16.00	20.00	9.20	2x17P	32.00	36.00	9.20
2x10P	18.00	22.00	9.20	2x18P	34.00	38.00	9.20
2x11P	20.00	24.00	9.20	2x19P	36.00	40.00	9.20
2x12P	22.00	26.00	9.20	2x20P	38.00	42.00	9.20

SPECIFICATIONS:

Current Rating: 3A AC,DC
Voltage Rating: 250V AC,DC
Temperature Range: -25°C ~ +85°C
Contact Resistance: 10mΩ Max.
Insulation Resistance: 1000MΩ Min.
Withstanding Voltage: 800V AC/minute
Pin Material: Brass/Tin over Nickel
Material: Nylon 66,UL94V-0(Beige)



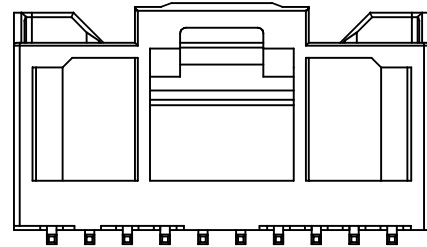
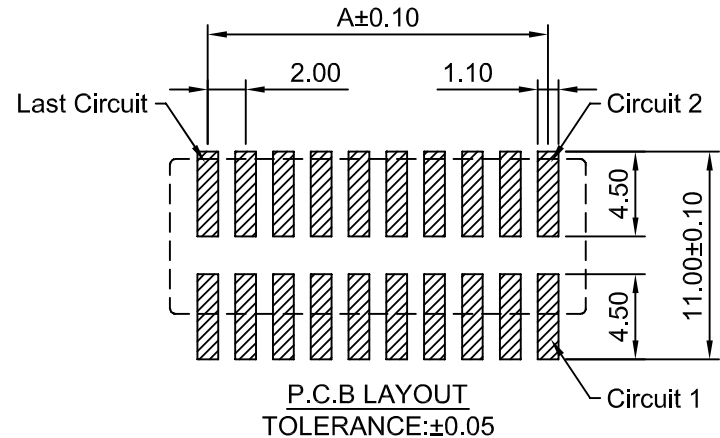
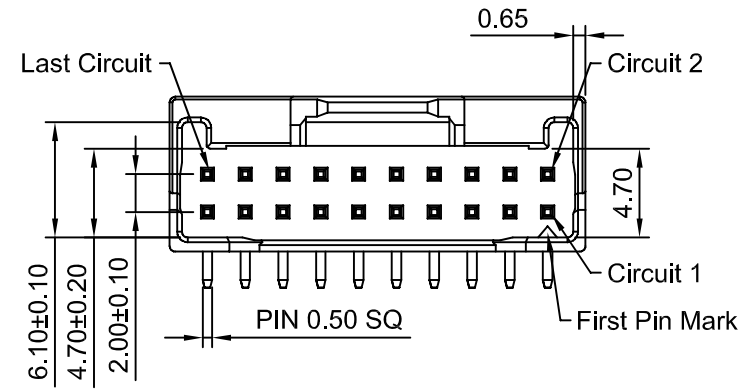
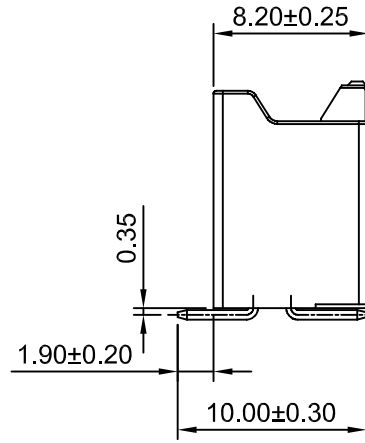
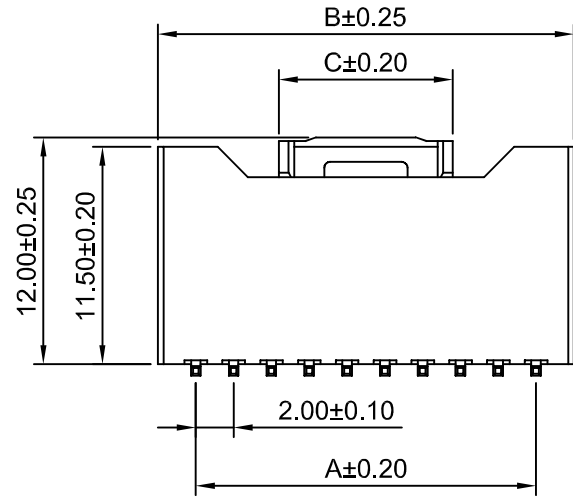
深圳市华德共创科技有限公司

Shenzhen Huade co-create Technology Co.,LTD

TEL : 0755-27129737 FAX : 0755-29940187

-TOLERANCES- UNLESS OTHERWISE SPECIFIED 公差参数表						TITLE: 2.00mm Pitch 产品名称: 90° Wafer			
X.X	±0.30	X.X°	±3°	APPD: 核准:	XIE	PART NO: 产品编号: HDGC2006WRD-2xXP			
X.XX	±0.30	X.XX°	±2°	CHECK: 校对:	WANG	DATE	SCALE	UNIT	CODE NUMBER
X.XXX	±0.10	X.XXX°	±1°	DRAW: 绘图:	WANG	2012-03-10	2.5:1	mm	A008

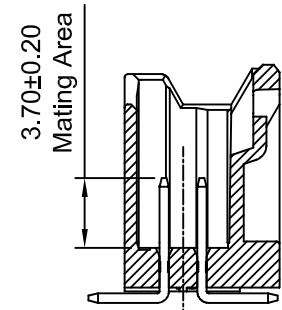
修订 REV	标记 MARK	修改摘要 REVISION DESCRIPTION	签名 SIGNATURE	日期 DATE
AO		NEW RELEASE	WANG	2012-03-10



Ordering Information & Dimensions

Circuits	Dimensions(mm)		
	A	B	C
2x 5P	8.00	12.00	7.30
2x 6P	10.00	14.00	9.20
2x 7P	12.00	16.00	9.20
2x 8P	14.00	18.00	9.20
2x 9P	16.00	20.00	9.20
2x 10P	18.00	22.00	9.20
2x 11P	20.00	24.00	9.20
2x 12P	22.00	26.00	9.20
2x 13P	24.00	28.00	9.20
2x 14P	26.00	30.00	9.20
2x 15P	28.00	32.00	9.20
2x 16P	30.00	34.00	9.20
2x 17P	32.00	36.00	9.20
2x 18P	34.00	38.00	9.20
2x 19P	36.00	40.00	9.20
2x 20P	38.00	42.00	9.20

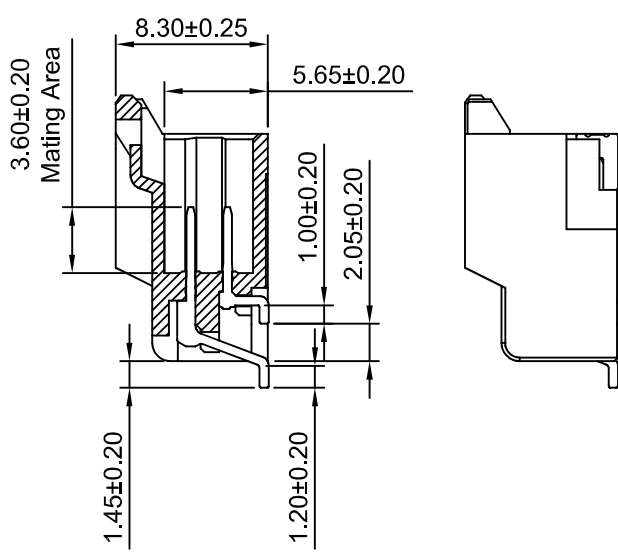
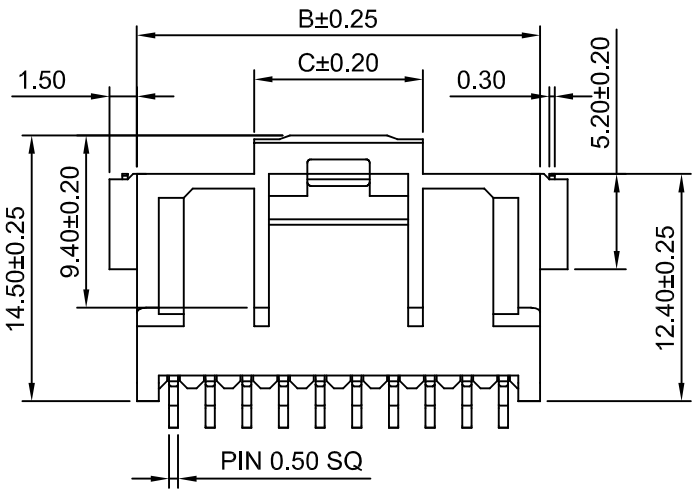
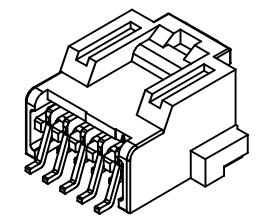
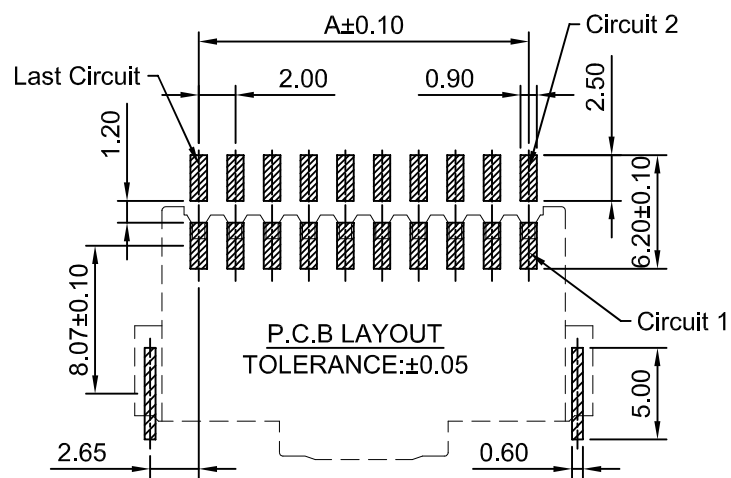
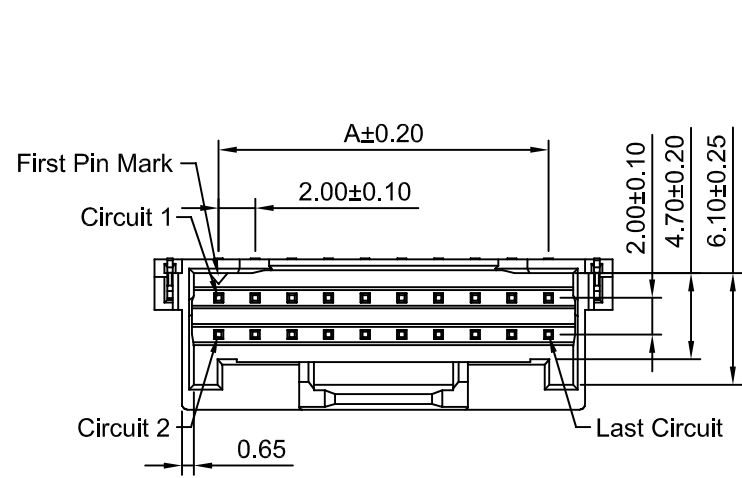
SPECIFICATIONS:
 Current Rating: 3A AC,DC
 Voltage Rating: 250V AC,DC
 Temperature Range: -25°C ~ +85°C
 Contact Resistance: 10mΩ Max.
 Insulation Resistance: 1000MΩ Min.
 Withstanding Voltage: 800V AC/minute
 Pin Material: Brass/Tin over Nickel
 Material: Nylon 9T+30%GF,UL94V-0



深圳市华德共创科技有限公司
 Shenzhen Huade co-create Technology Co.,LTD
 TEL : 0755-27129737 FAX : 0755-29940187

-TOLERANCES- UNLESS OTHERWISE SPECIFIED 公差参数表			 	TITLE: 2.00mm Pitch 产品名称: 180° Wafer							
X.X	±0.30	X.X°	±3°	APPD: 核准:	XIE			PART NO: 产品编号:	HDGC2006WVD-S-2xXP		
X.XX	±0.30	X.XX°	±2°	CHECK: 校对:	WANG			DATE	SCALE	UNIT	CODE NUMBER
X.XXX	±0.10	X.XXX°	±1°	DRAW: 绘图:	WANG			2012-03-10	2.5:1	mm	A008

修订 REV	标记 MARK	修改摘要 REVISION DESCRIPTION	签名 SIGNATURE	日期 DATE
AO		NEW RELEASE	WANG	2012-03-10




Ordering Information & Dimensions


Circuits	Dimensions(mm)		
	A	B	C
2x5P	8.00	12.00	7.30
2x6P	10.00	14.00	9.20
2x7P	12.00	16.00	9.20
2x8P	14.00	18.00	9.20
2x9P	16.00	20.00	9.20
2x10P	18.00	22.00	9.20
2x11P	20.00	24.00	9.20
2x12P	22.00	26.00	9.20
2x13P	24.00	28.00	9.20
2x14P	26.00	30.00	9.20
2x15P	28.00	32.00	9.20
2x16P	30.00	34.00	9.20
2x17P	32.00	36.00	9.20
2x18P	34.00	38.00	9.20
2x19P	36.00	40.00	9.20
2x20P	38.00	42.00	9.20

SPECIFICATIONS:

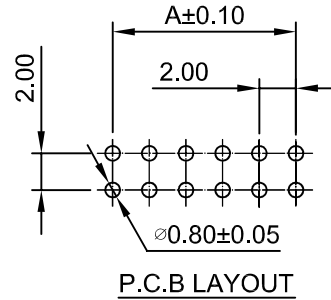
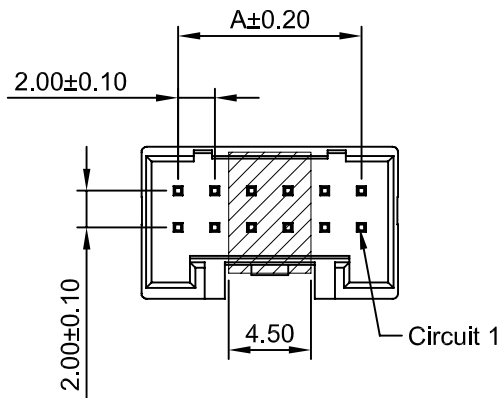
Current Rating: 3A AC,DC
Voltage Rating: 250V AC,DC
Temperature Range:
Contact Resistance: 10mΩ Max.
Insulation Resistance: 1000MΩ Min.
Withstanding Voltage: 800V AC/minute
Pin Material: Brass/Tin over Nickel
Solder Tabs: Brass/Tin over Nickel
Material: LCP,UL94V-0



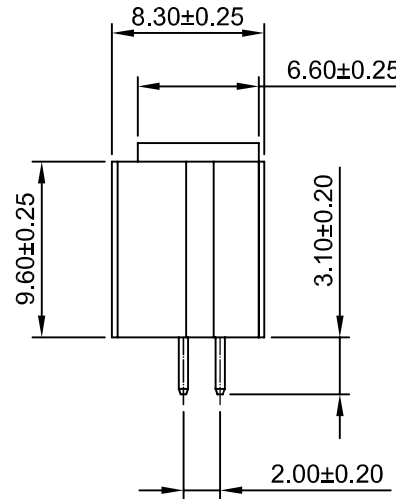
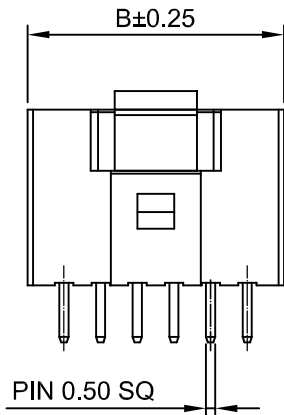
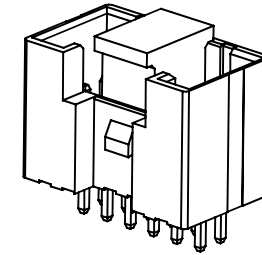
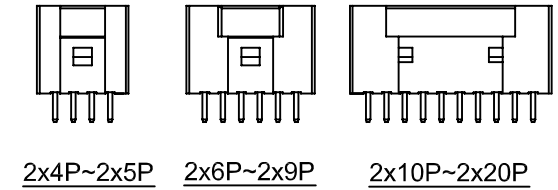
深圳市华德共创科技有限公司
Shenzhen Huade co-create Technology Co.,LTD
TEL : 0755-27129737 FAX : 0755-29940187

-TOLERANCES- UNLESS OTHERWISE SPECIFIED 公差参数表					TITLE: 2.00mm Pitch			
				产品名称: 90° Wafer				
X.X	±0.30	X.X°	±3°	APPD: 核准:	XIE			
X.XX	±0.30	X.XX°	±2°	CHECK: 校对:	WANG			
X.XXX	±0.10	X.XXX°	±1°	DRAW: 绘图:	WANG			
PART NO: 产品编号:					HDGC2006WRD-S-2xXP			
		DATE	SCALE	UNIT	CODE NUMBER			
		2012-03-10	2.5:1	mm	A008			

修订 REV	标记 MARK	修改摘要 REVISION DESCRIPTION	签名 SIGNATURE	日期 DATE
AO		NEW RELEASE	WANG	2012-03-10



2x4P~2x7P Without Guideway
2x8P~2x20P With Guideway



Ordering Information & Dimensions

Circuits	Dimensions(mm)		Circuits	Dimensions(mm)	
	A	B		A	B
2x4P	6.00	10.00	2x13P	24.00	28.00
2x5P	8.00	12.00	2x14P	26.00	30.00
2x6P	10.00	14.00	2x15P	28.00	32.00
2x7P	12.00	16.00	2x16P	30.00	34.00
2x8P	14.00	18.00	2x17P	32.00	36.00
2x9P	16.00	20.00	2x18P	34.00	38.00
2x10P	18.00	22.00	2x19P	36.00	40.00
2x11P	20.00	24.00	2x20P	38.00	42.00
2x12P	22.00	26.00			

SPECIFICATIONS:
 Current Rating: 3A AC,DC
 Voltage Rating: 250V AC,DC
 Temperature Range: -25°C ~ +85°C
 Contact Resistance: 10mΩ Max.
 Insulation Resistance: 1000MΩ Min.
 Withstanding Voltage: 800V AC/minute
 Pin Material: Brass/Tin over Nickel
 Material: PA4T,UL94V-0(Natural)

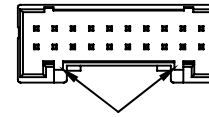
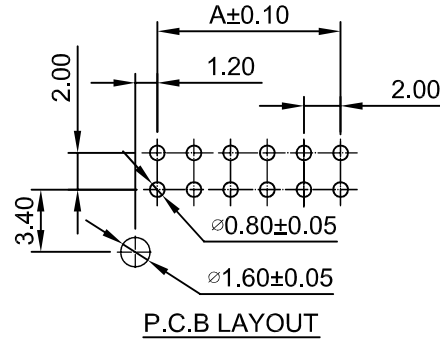
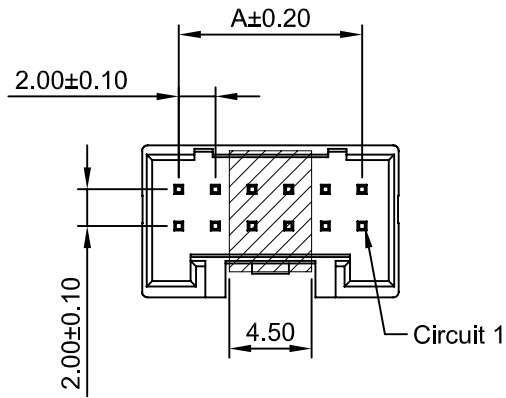


深圳市华德共创科技有限公司

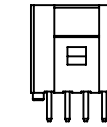
Shenzhen Huade co-create Technology Co.,LTD
 TEL : 0755-27129737 FAX : 0755-29940187

-TOLERANCES- UNLESS OTHERWISE SPECIFIED 公差参数表				TITLE: 产品名称: 2.00mm Pitch 180° Wafer					
X.X	±0.30	X.X°	±3°	APPD: 核准:	XIE	PART NO: 产品编号:	HDGC2006WVU-2xXP		
X.XX	±0.30	X.XX°	±2°	CHECK: 校对:	WANG	DATE	SCALE	UNIT	CODE NUMBER
X.XXX	±0.10	X.XXX°	±1°	DRAW: 绘图:	WANG	2012-03-10	5:1	mm	A008

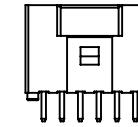
修订 REV	标记 MARK	修改摘要 REVISION DESCRIPTION	签名 SIGNATURE	日期 DATE
AO		NEW RELEASE	WANG	2012-03-10



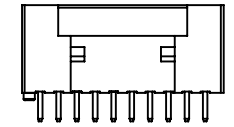
2x4P~2x7P Without Guideway
2x8P~2x20P With Guideway



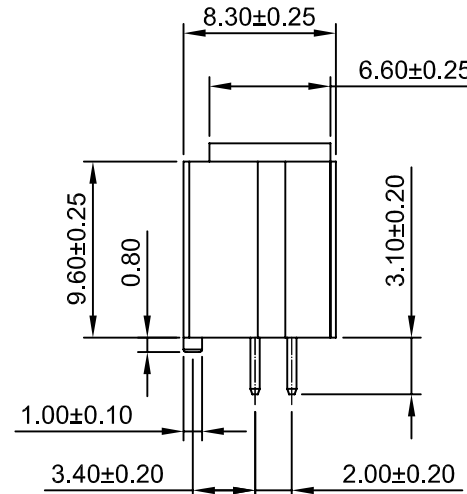
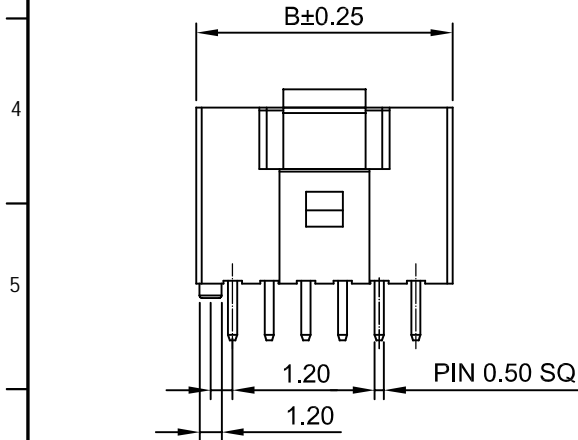
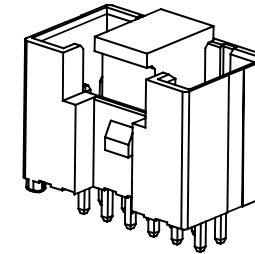
2x4P~2x5P



2x6P~2x9P



2x10P~2x20P



Ordering Information & Dimensions

Circuits	Dimensions(mm)		Circuits	Dimensions(mm)	
	A	B		A	B
2x4P	6.00	10.00	2x13P	24.00	28.00
2x5P	8.00	12.00	2x14P	26.00	30.00
2x6P	10.00	14.00	2x15P	28.00	32.00
2x7P	12.00	16.00	2x16P	30.00	34.00
2x8P	14.00	18.00	2x17P	32.00	36.00
2x9P	16.00	20.00	2x18P	34.00	38.00
2x10P	18.00	22.00	2x19P	36.00	40.00
2x11P	20.00	24.00	2x20P	38.00	42.00
2x12P	22.00	26.00			

SPECIFICATIONS:

Current Rating: 3A AC,DC
Voltage Rating: 250V AC,DC
Temperature Range: -25°C ~ +85°C
Contact Resistance: 10mΩ Max.
Insulation Resistance: 1000MΩ Min.
Withstanding Voltage: 800V AC/minute
Pin Material: Brass/Tin over Nickel
Material: PA4T,UL94V-0(Natural)

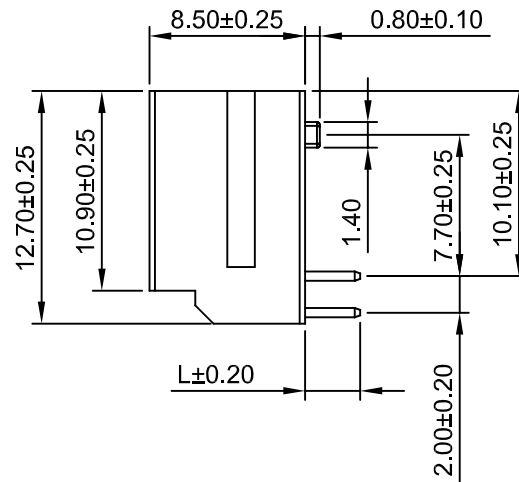
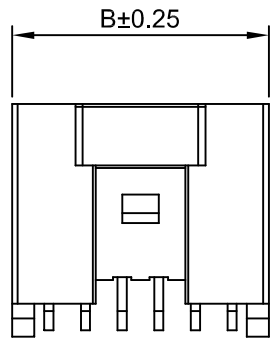
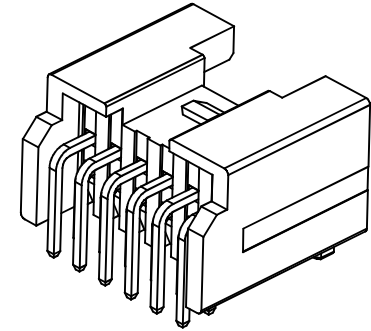
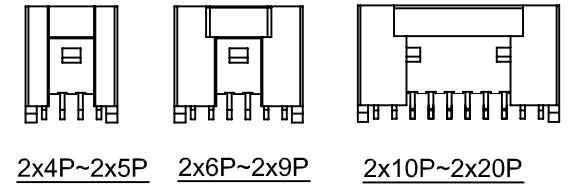
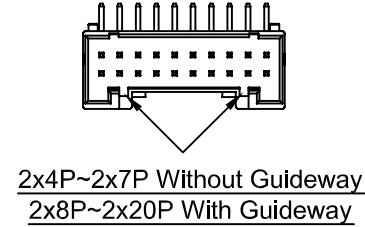
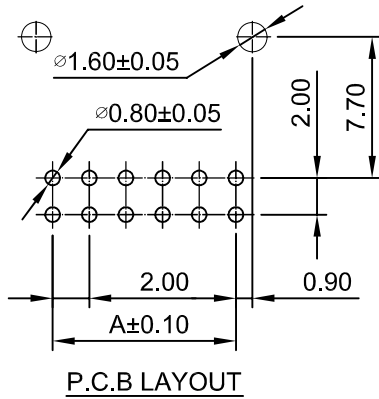
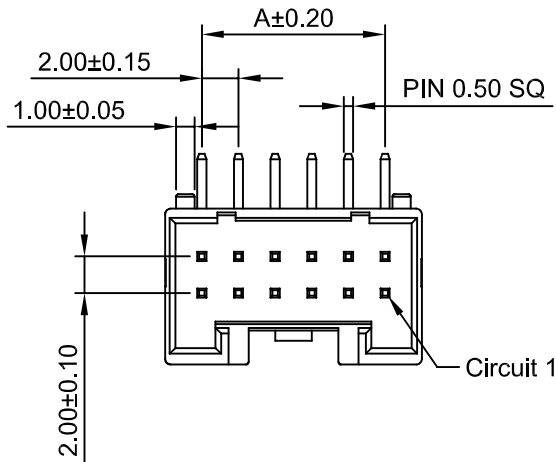


深圳市华德共创科技有限公司

Shenzhen Huade co-create Technology Co.,LTD
TEL : 0755-27129737 FAX : 0755-29940187

-TOLERANCES- UNLESS OTHERWISE SPECIFIED 公差参数表				TITLE: 产品名称: 2.00mm Pitch 180° Wafer	
X.X	±0.30	X.X°	±3°	APPD: 核准:	XIE
X.XX	±0.30	X.XX°	±2°	CHECK: 校对:	WANG
X.XXX	±0.10	X.XXX°	±1°	DRAW: 绘图:	WANG
PART NO: 产品编号:		HDGC2006WVU-F-2xXP			
DATE	SCALE	UNIT	CODE NUMBER		
2012-03-10	5:1	mm	A008		

修订 REV	标记 MARK	修改摘要 REVISION DESCRIPTION	签名 SIGNATURE	日期 DATE
AO		NEW RELEASE	WANG	2012-03-10



Ordering Information & Dimensions

Circuits	Dimensions(mm)		Circuits	Dimensions(mm)	
	A	B		A	B
2x4P	6.00	10.00	2x13P	24.00	28.00
2x5P	8.00	12.00	2x14P	26.00	30.00
2x6P	10.00	14.00	2x15P	28.00	32.00
2x7P	12.00	16.00	2x16P	30.00	34.00
2x8P	14.00	18.00	2x17P	32.00	36.00
2x9P	16.00	20.00	2x18P	34.00	38.00
2x10P	18.00	22.00	2x19P	36.00	40.00
2x11P	20.00	24.00	2x20P	38.00	42.00
2x12P	22.00	26.00			

SPECIFICATIONS:
 Current Rating: 3A AC,DC
 Voltage Rating: 250V AC,DC
 Temperature Range: -25°C ~ +85°C
 Contact Resistance: 10mΩ Max.
 Insulation Resistance: 1000MΩ Min.
 Withstanding Voltage: 800V AC/minute
 Pin Material: Brass/Tin over Nickel
 Material: PA4T,UL94V-0(Natural)



深圳市华德共创科技有限公司

Shenzhen Huade co-create Technology Co.,LTD
 TEL : 0755-27129737 FAX : 0755-29940187

-TOLERANCES- UNLESS OTHERWISE SPECIFIED 公差参数表				TITLE: 产品名称: 2.00mm Pitch 90° Wafer	
X.X	±0.30	X.X°	±3°	APPD: 核准:	XIE
X.XX	±0.30	X.XX°	±2°	CHECK: 校对:	WANG
X.XXX	±0.10	X.XXX°	±1°	DRAW: 绘图:	WANG
PART NO: 产品编号:				HDGC2006WRU-F-2xXP	
DATE		SCALE	UNIT	CODE NUMBER	
2012-03-10		5:1	mm	A008	