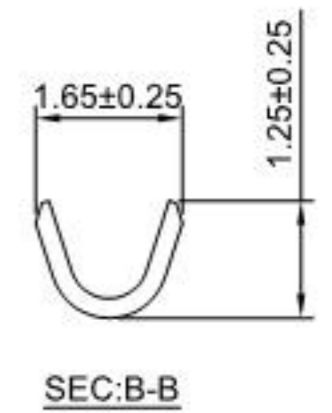
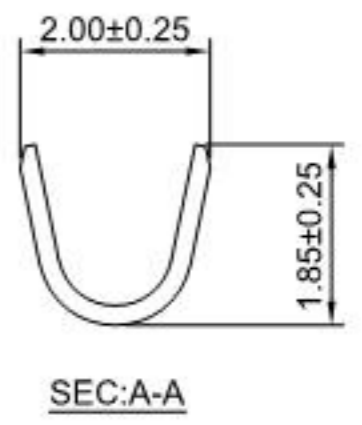
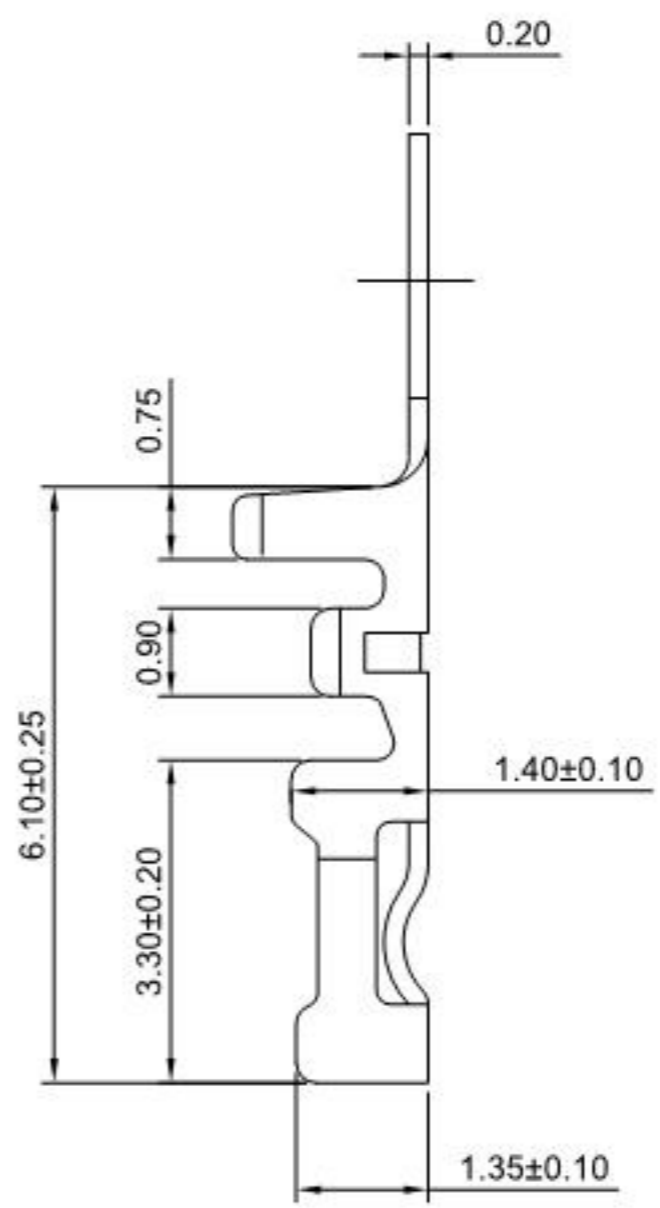
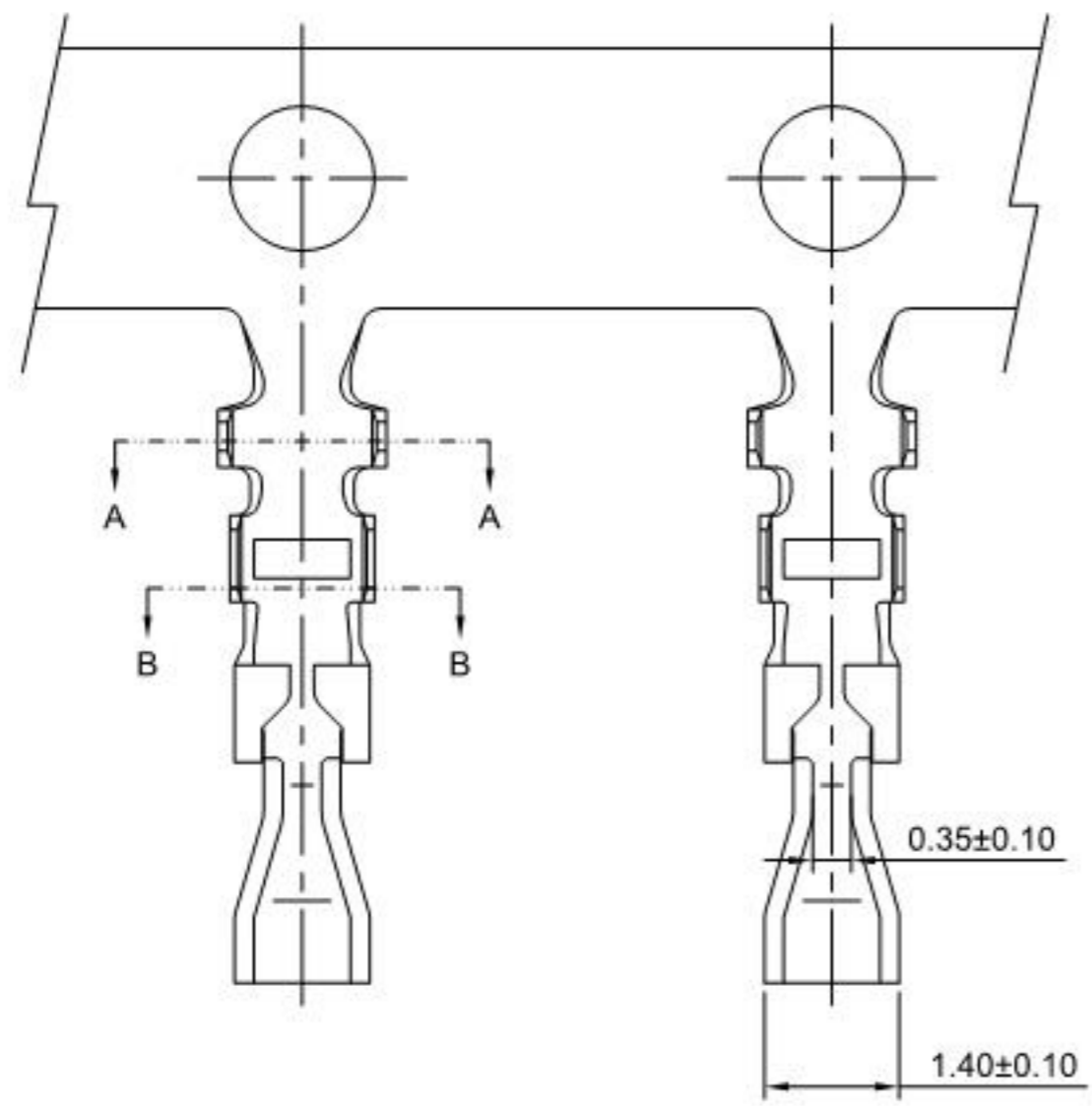


修订 REV	标记 MARK	修改摘要 REVISION DESCRIPTION	签名 SIGNATURE	日期 DATE
A0		NEW RELEASE	WANG	2012-12-10



Ordering information & Specifications

Part No	Wire Range	Insultion O.D.	Material	Finish	Qty/reel
HDGC2005-TP	AWG#26-#30	1.40mm(max)	Phosphor Bronze	Tin over Nickel	10,000 PCS
HDGC2005-GP	AWG#26-#30	1.40mm(max)	Phosphor Bronze	Gold over Nickel	10,000 PCS

Optional Gold plating available but MOQ requested

Unit:mm



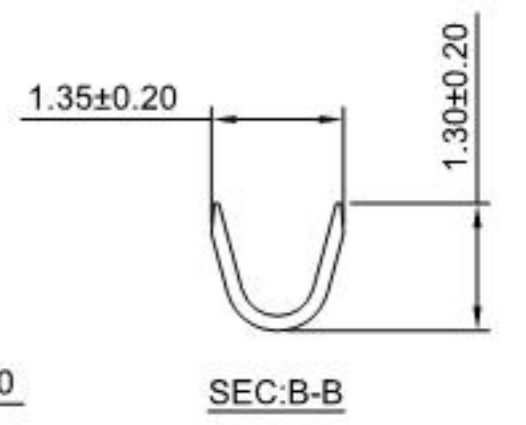
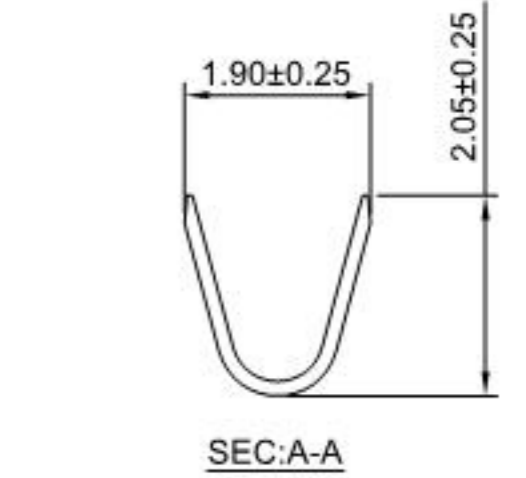
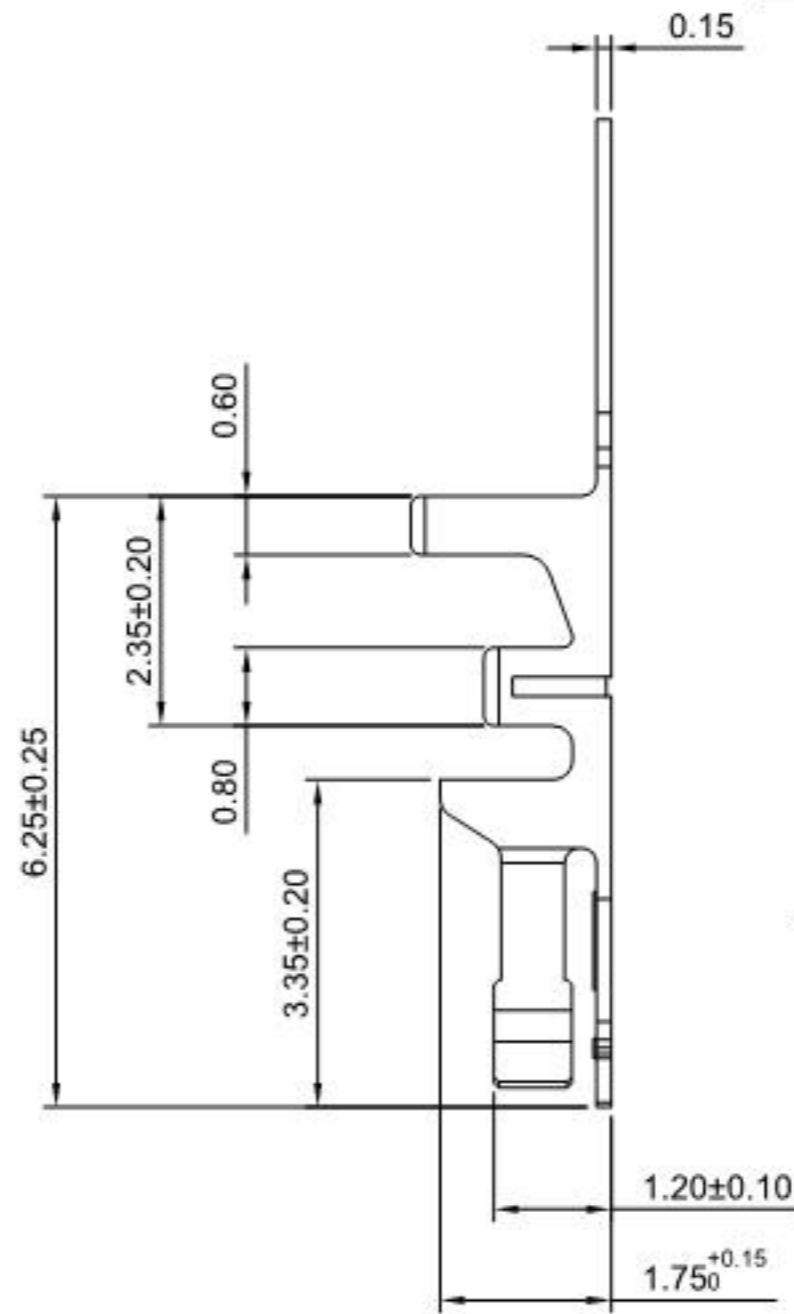
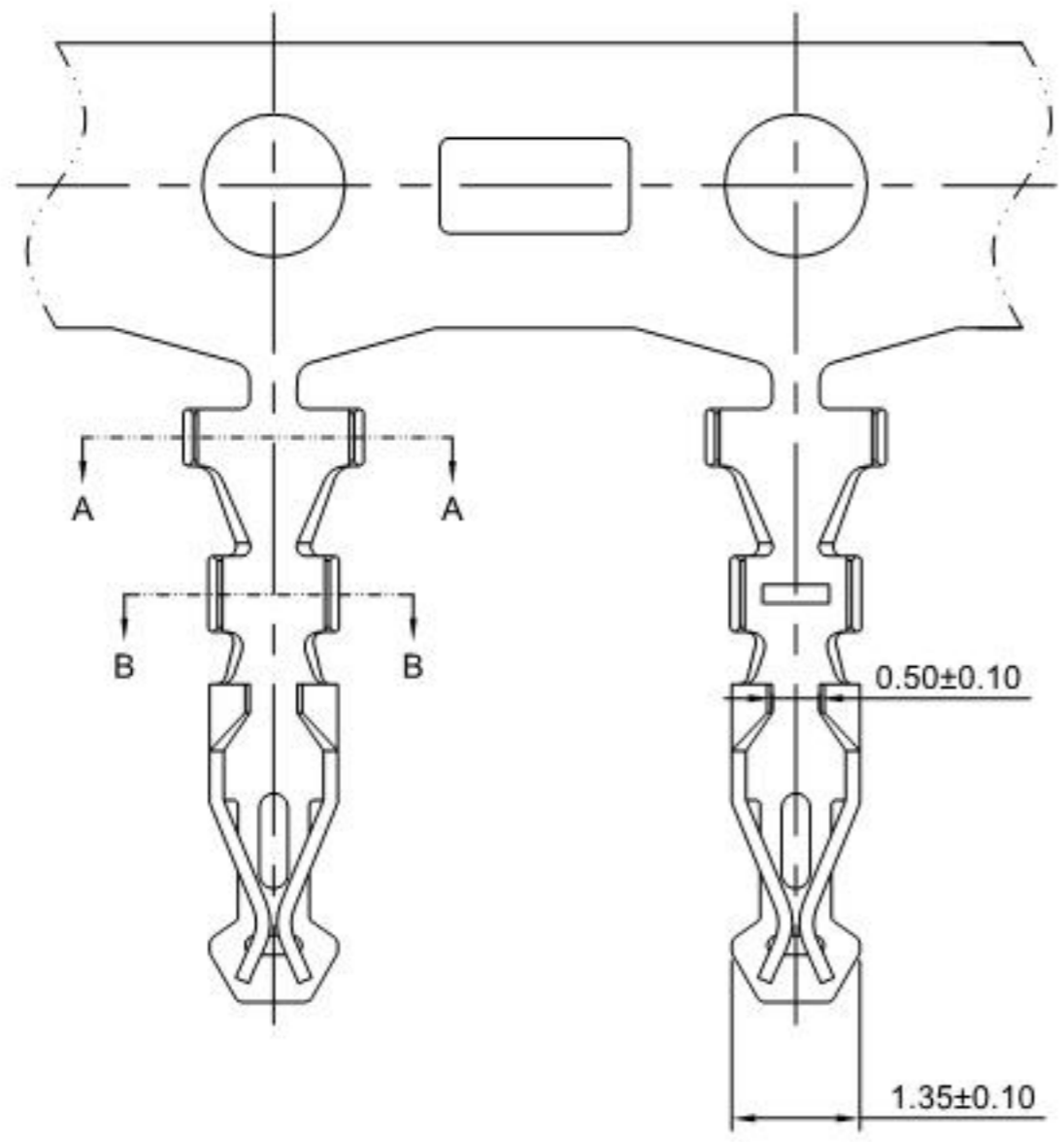
深圳市华德共创科技有限公司

Shenzhen Huade co-create Technology Co., LTD

TEL: 0755-27129737 FAX: 0755-29940187

-TOLERANCES- UNLESS OTHERWISE SPECIFIED 公差参数表						TITLE: 2.00mm Pitch 产品名称: Crimp Terminal			
X.X	±0.30	X.X°	±3°	APPD: 核准:	XIE	PART NO: 产品编号: HDGC2005-T			
X.XX	±0.30	X.XX°	±2°	CHECK: 校对:	WANG	DATE	SCALE	UNIT	CODE NUMBER
X.XXX	±0.10	X.XXX°	±1°	DRAW: 绘图:	WANG	2012-12-10	10:1	mm	A008

修订 REV	标记 MARK	修改摘要 REVISION DESCRIPTION	签名 SIGNATURE	日期 DATE
A0		NEW RELEASE	WANG	2013-12-04



Ordering information & Specifications:

Part NO.	Wire Range	Insulation O.D.	Material	Finish	Qty/reel
HDGC2005-TP-B	AWG#24-#30	1.40mm(max)	Phosphor Bronze	Tin over Nickel	10,000 PCS
HDGC2005-GP-B	AWG#24-#30	1.40mm(max)	Phosphor Bronze	Gold over Nickel	10,000 PCS

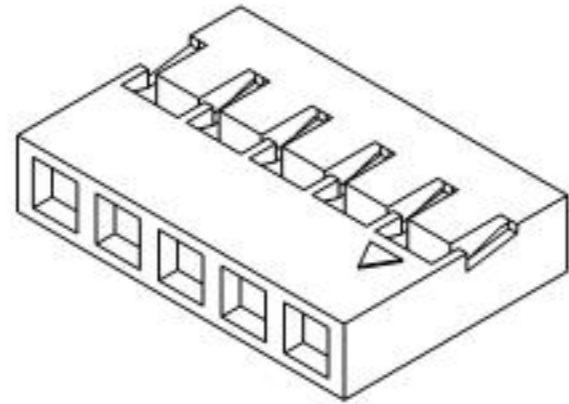
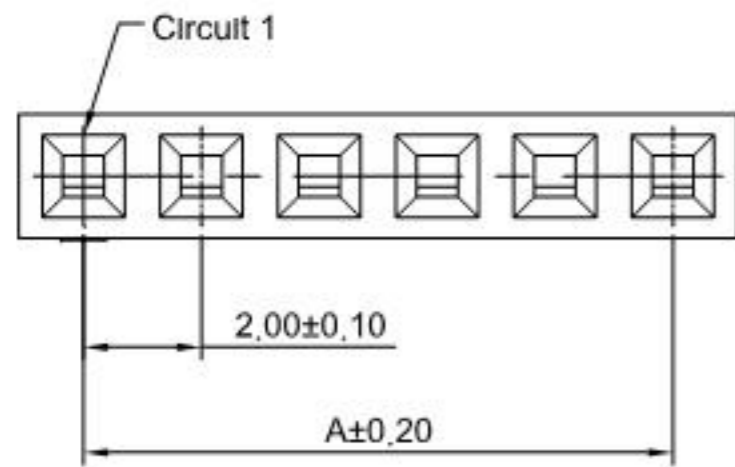
Optional Gold plating available but MOQ requested

Unit:mm

**HDGC** 深圳市华德共创科技有限公司  
 Shenzhen Huade co-create Technology Co., LTD  
 TEL: 0755-27129737 FAX: 0755-29940187

-TOLERANCES- UNLESS OTHERWISE SPECIFIED 公差参数表						TITLE: 2.00mm Pitch 产品名称: Crimp Terminal			
X.X	±0.30	X.X°	±3°	APPD: 核准:	XIE	PART NO: 产品编号: HDGC2005-T-B			
X.XX	±0.30	X.XX°	±2°	CHECK: 校对:	WANG	DATE	SCALE	UNIT	CODE NUMBER
X.XXX	±0.10	X.XXX°	±1°	DRAW: 绘图:	WANG	2013-12-04	10:1	mm	A008

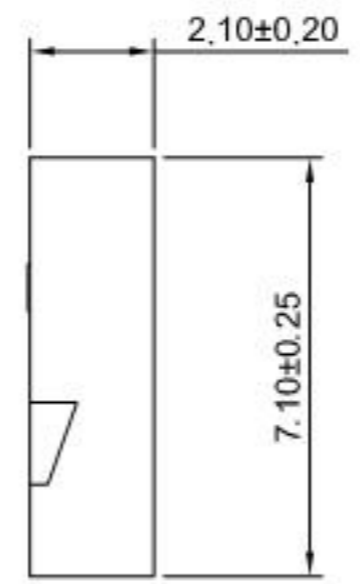
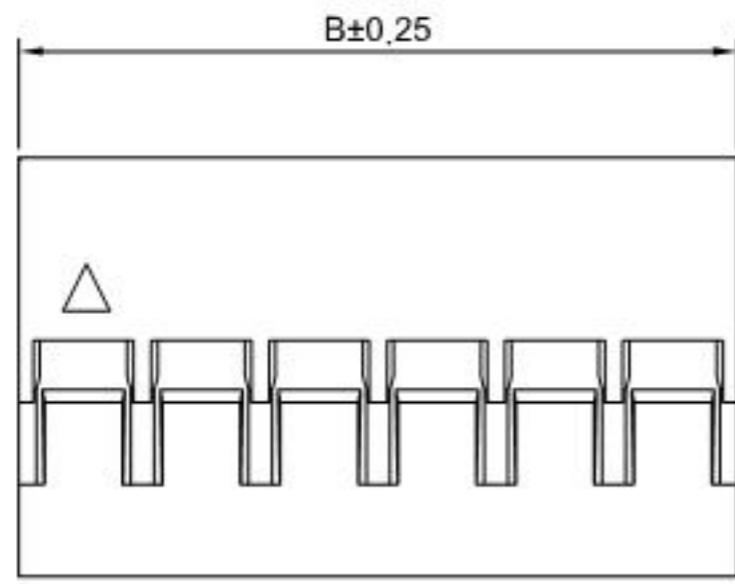
修订 REV	标记 MARK	修改摘要 REVISION DESCRIPTION	签名 SIGNATURE	日期 DATE
A0		NEW RELEASE	WANG	2013-12-04



**SPECIFICATIONS:**  
 Current Rating: 2A AC,DC  
 Voltage Rating: 250V AC,DC  
 Temperature Range: -25°C ~ + 85°C  
 Contact Resistance: 20mΩ Max.  
 Insulation Resistance: 1000MΩ Min.  
 Withstanding Voltage: 500V AC/minute  
 Material: PBT,UL94V-0(Black)

Ordering Information & Dimensions

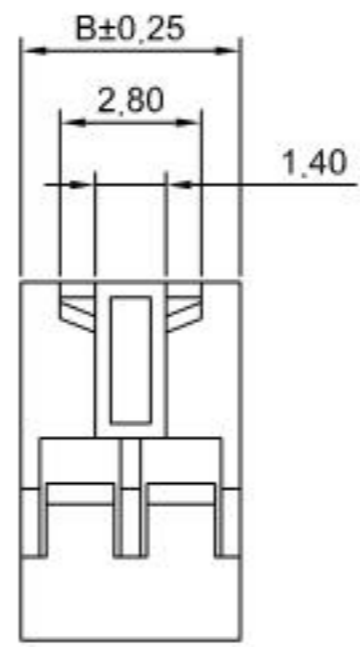
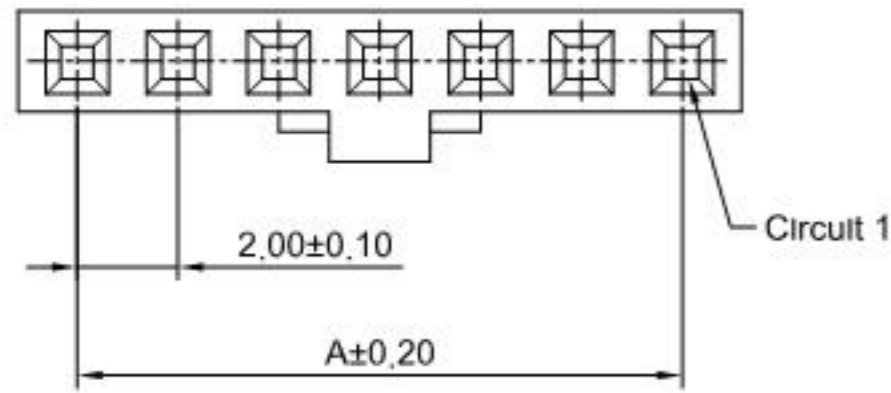
Circuits	Dim(mm)		Circuits	Dim(mm)		Circuits	Dim(mm)	
	A	B		A	B		A	B
2P	2.00	4.20	15P	28.00	30.20	28P	54.00	56.20
3P	4.00	6.20	16P	30.00	32.20	29P	56.00	58.20
4P	6.00	8.20	17P	32.00	34.20	30P	58.00	60.20
5P	8.00	10.20	18P	34.00	36.20	31P	60.00	62.20
6P	10.00	12.20	19P	36.00	38.20	32P	62.00	64.20
7P	12.00	14.20	20P	38.00	40.20	33P	64.00	66.20
8P	14.00	16.20	21P	40.00	42.20	34P	66.00	68.20
9P	16.00	18.20	22P	42.00	44.20	35P	68.00	70.20
10P	18.00	20.20	23P	44.00	46.20	36P	70.00	72.20
11P	20.00	22.20	24P	46.00	48.20	37P	72.00	74.20
12P	22.00	24.20	25P	48.00	50.20	38P	74.00	76.20
13P	24.00	26.20	26P	50.00	52.20	39P	76.00	78.20
14P	26.00	28.20	27P	52.00	54.20	40P	78.00	80.20



**HDGC** 深圳市华德共创科技有限公司  
 Shenzhen Huade co-create Technology Co., LTD  
 TEL: 0755-27129737 FAX: 0755-29940187

-TOLERANCES- UNLESS OTHERWISE SPECIFIED 公差参数表				TITLE: 2.00mm Pitch Housing 产品名称: Housing	
X.X	±0.30	X.X°	±3°	APPD: 核准:	XIE
X.XX	±0.30	X.XX°	±2°	CHECK: 校对:	WANG
X.XXX	±0.10	X.XXX°	±1°	DRAW: 绘图:	WANG
PART NO: 产品编号:		HDGC2005H-XP		DATE	2013-12-04
SCALE		6:1	UNIT	mm	CODE NUMBER
A008					

修订 REV	标记 MARK	修改摘要 REVISION DESCRIPTION	签名 SIGNATURE	日期 DATE
A0		NEW RELEASE	WANG	2013-12-04



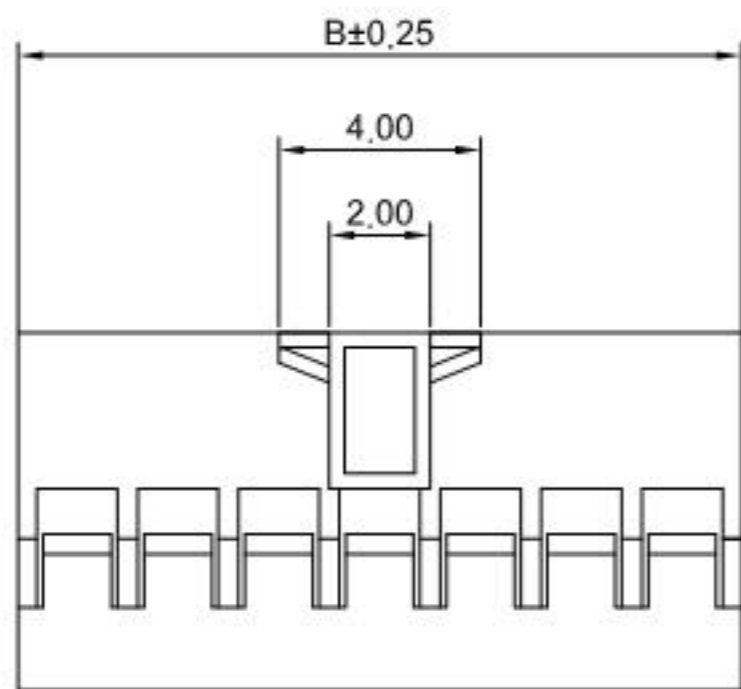
2P

Ordering Information:  
**HDGC2005HB-N-XP-FI - <sup>27</sup>/<sub>2</sub>**  
 1. Part No.  
 2. Color:  
 (Blank): White  
 BK: Black

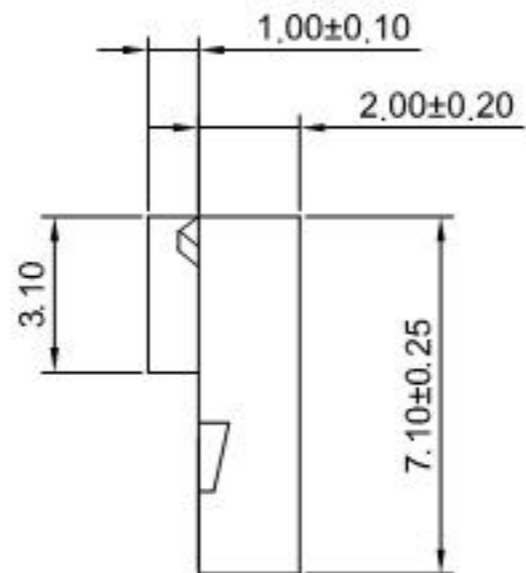
**SPECIFICATIONS:**  
 Current Rating: 2A AC,DC  
 Voltage Rating: 250V AC,DC  
 Temperature Range: -25°C ~ +85°C  
 Contact Resistance: 20mΩ Max.  
 Insulation Resistance: 1000MΩ Min.  
 Withstanding Voltage: 500V AC/minute  
 Material: Nylon 66 , UL94V-0(White)

Ordering Information & Dimensions

Circuits	Dimensions(mm)		Circuits	Dimensions(mm)	
	A	B		A	B
2P	2.00	4.40	10P	18.00	20.40
3P	4.00	6.40	11P	20.00	22.40
4P	6.00	8.40	12P	22.00	24.40
5P	8.00	10.40	13P	24.00	26.40
6P	10.00	12.40	14P	26.00	28.40
7P	12.00	14.40	15P	28.00	30.40
8P	14.00	16.40	16P	30.00	32.40
9P	16.00	18.40	17P	32.00	34.40



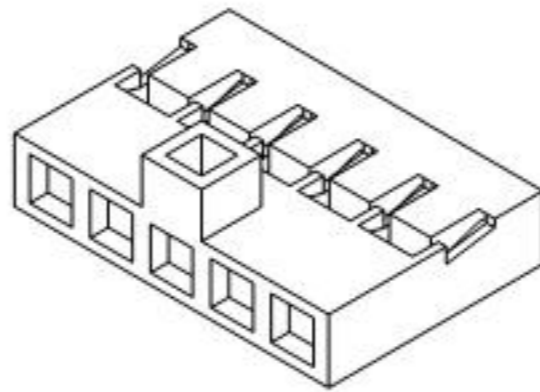
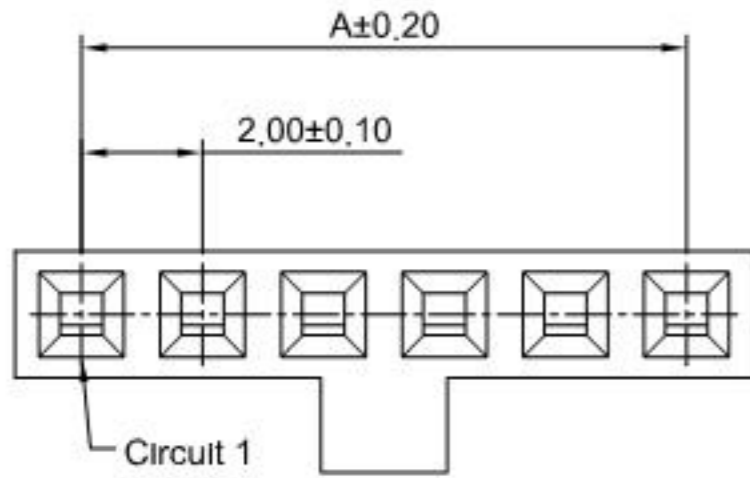
3P~17P



**HDGC** 深圳市华德共创科技有限公司  
 Shenzhen Huade co-create Technology Co., LTD  
 TEL: 0755-27129737 FAX: 0755-29940187

-TOLERANCES- UNLESS OTHERWISE SPECIFIED 公差参数表						TITLE: 2.00mm Pitch Housing 产品名称: Housing			
X.X	±0.30	X.X°	±3°	APPD: 核准:	XIE	PART NO: 产品编号: HDGC2005HB-N-XP-FI			
X.XX	±0.30	X.XX°	±2°	CHECK: 校对:	WANG	DATE	SCALE	UNIT	CODE NUMBER
X.XXX	±0.10	X.XXX°	±1°	DRAW: 绘图:	WANG	2013-12-04	5:1	mm	A008

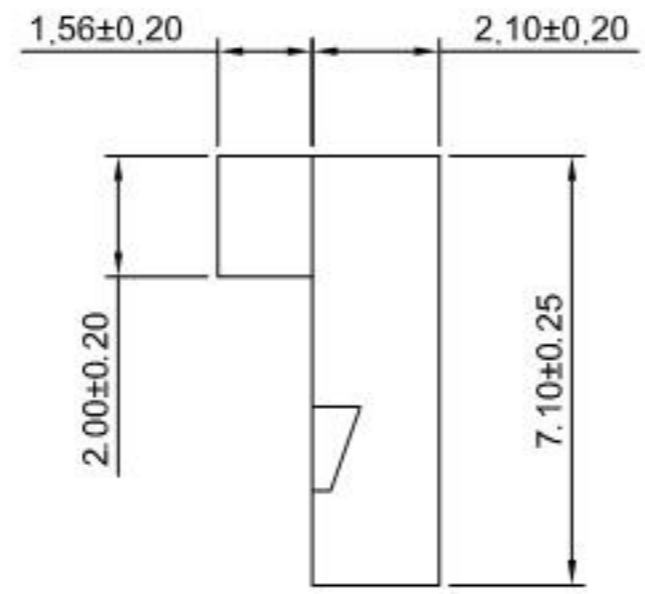
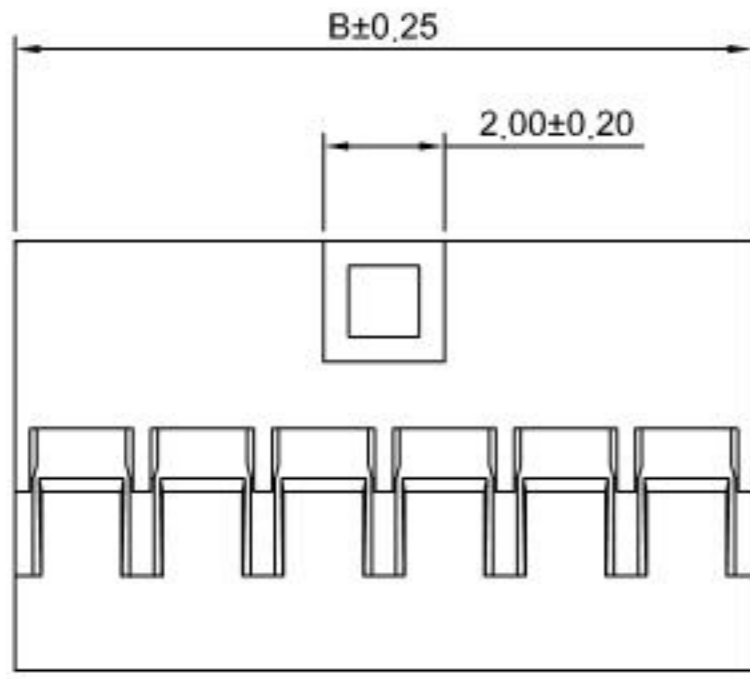
修订 REV	标记 MARK	修改摘要 REVISION DESCRIPTION	签名 SIGNATURE	日期 DATE
A0		NEW RELEASE	WANG	2013-12-04



**SPECIFICATIONS:**  
 Current Rating: 2A AC,DC  
 Voltage Rating: 250V AC,DC  
 Temperature Range: -25°C ~ + 85°C  
 Contact Resistance: 20mΩ Max.  
 Insulation Resistance: 1000MΩ Min.  
 Withstanding Voltage: 500V AC/minute  
 Material: PBT,UL94V-0(Black)

Ordering Information & Dimensions

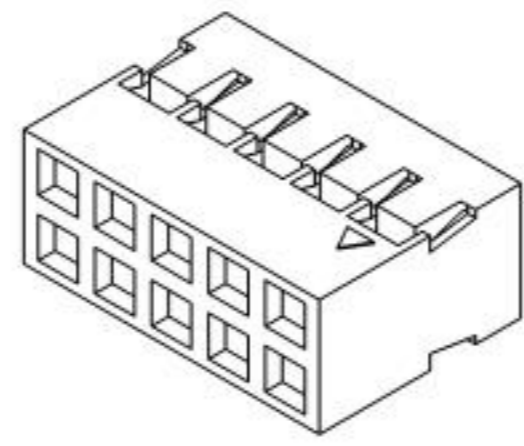
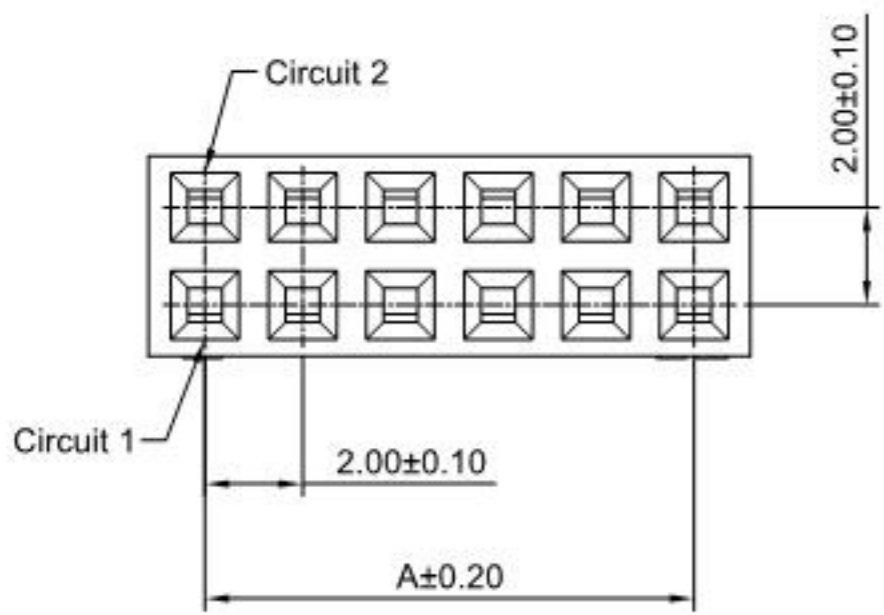
Circuits	Dim(mm)		Circuits	Dim(mm)		Circuits	Dim(mm)	
	A	B		A	B		A	B
2P	2.00	4.20	15P	28.00	30.20	28P	54.00	56.20
3P	4.00	6.20	16P	30.00	32.20	29P	56.00	58.20
4P	6.00	8.20	17P	32.00	34.20	30P	58.00	60.20
5P	8.00	10.20	18P	34.00	36.20	31P	60.00	62.20
6P	10.00	12.20	19P	36.00	38.20	32P	62.00	64.20
7P	12.00	14.20	20P	38.00	40.20	33P	64.00	66.20
8P	14.00	16.20	21P	40.00	42.20	34P	66.00	68.20
9P	16.00	18.20	22P	42.00	44.20	35P	68.00	70.20
10P	18.00	20.20	23P	44.00	46.20	36P	70.00	72.20
11P	20.00	22.20	24P	46.00	48.20	37P	72.00	74.20
12P	22.00	24.20	25P	48.00	50.20	38P	74.00	76.20
13P	24.00	26.20	26P	50.00	52.20	39P	76.00	78.20
14P	26.00	28.20	27P	52.00	54.20	40P	78.00	80.20



**HDGC** 深圳市华德共创科技有限公司  
 Shenzhen Huade co-create Technology Co., LTD  
 TEL: 0755-27129737 FAX: 0755-29940187

-TOLERANCES- UNLESS OTHERWISE SPECIFIED 公差参数表						TITLE: 2.00mm Pitch Housing 产品名称: Housing			
X.X	±0.30	X.X°	±3°	APPD: 核准:	XIE	PART NO: 产品编号: HDGC2005H-N-XP			
X.XX	±0.30	X.XX°	±2°	CHECK: 校对:	WANG	DATE	SCALE	UNIT	CODE NUMBER
X.XXX	±0.10	X.XXX°	±1°	DRAW: 绘图:	WANG	2013-12-04	6:1	mm	A008

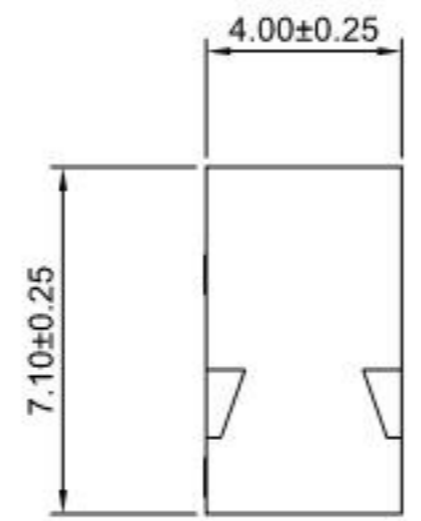
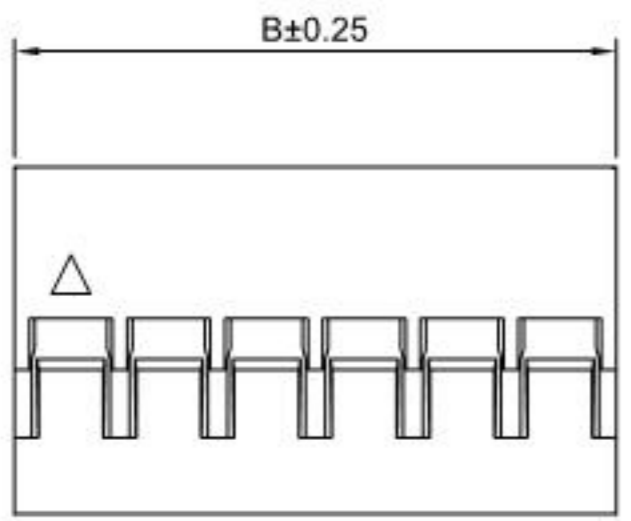
修订 REV	标记 MARK	修改摘要 REVISION DESCRIPTION	签名 SIGNATURE	日期 DATE
A0		NEW RELEASE	WANG	2013-12-04



**SPECIFICATIONS:**  
 Current Rating: 2A AC,DC  
 Voltage Rating: 250V AC,DC  
 Temperature Range: -25°C ~ +85°C  
 Contact Resistance: 20mΩ Max.  
 Insulation Resistance: 1000MΩ Min.  
 Withstanding Voltage: 1000V AC/minute  
 Material: PBT+15%GF,UL94V-0(Black)

Ordering Information & Dimensions

Circuits	Dim(mm)		Circuits	Dim(mm)		Circuits	Dim(mm)	
	A	B		A	B		A	B
2x2P	2.00	4.30	2x15P	28.00	30.30	2x28P	54.00	56.30
2x3P	4.00	6.30	2x16P	30.00	32.30	2x29P	56.00	58.30
2x4P	6.00	8.30	2x17P	32.00	34.30	2x30P	58.00	60.30
2x5P	8.00	10.30	2x18P	34.00	36.30	2x31P	60.00	62.30
2x6P	10.00	12.30	2x19P	36.00	38.30	2x32P	62.00	64.30
2x7P	12.00	14.30	2x20P	38.00	40.30	2x33P	64.00	66.30
2x8P	14.00	16.30	2x21P	40.00	42.30	2x34P	66.00	68.30
2x9P	16.00	18.30	2x22P	42.00	44.30	2x35P	68.00	70.30
2x10P	18.00	20.30	2x23P	44.00	46.30	2x36P	70.00	72.30
2x11P	20.00	22.30	2x24P	46.00	48.30	2x37P	72.00	74.30
2x12P	22.00	24.30	2x25P	48.00	50.30	2x38P	74.00	76.30
2x13P	24.00	26.30	2x26P	50.00	52.30	2x39P	76.00	78.30
2x14P	26.00	28.30	2x27P	52.00	54.30	2x40P	78.00	80.30





**深圳市华德共创科技有限公司**  
 Shenzhen Huade co-create Technology Co., LTD  
 TEL: 0755-27129737 FAX: 0755-29940187

-TOLERANCES- UNLESS OTHERWISE SPECIFIED 公差参数表						TITLE: 2.00mm Pitch Housing 产品名称:			
X.X	±0.30	X.X°	±3°	APPD: 核准:	X1E	PART NO: HDGC2005H-2xXP 产品编号:			
X.XX	±0.30	X.XX°	±2°	CHECK: 校对:	WANG	DATE	SCALE	UNIT	CODE NUMBER
X.XXX	±0.10	X.XXX°	±1°	DRAW: 绘图:	WANG	2013-12-04	5:1	mm	A008

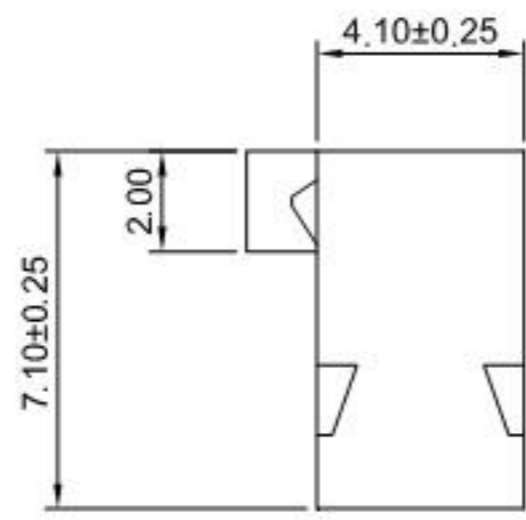
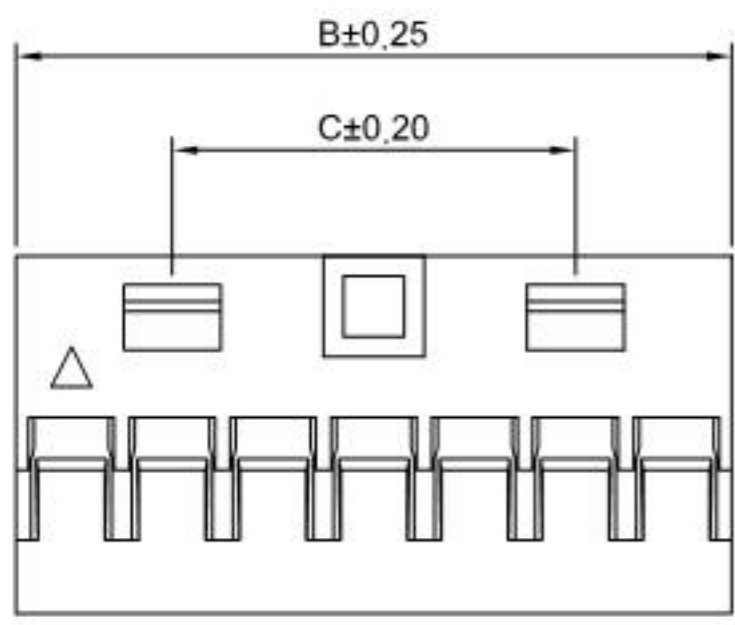
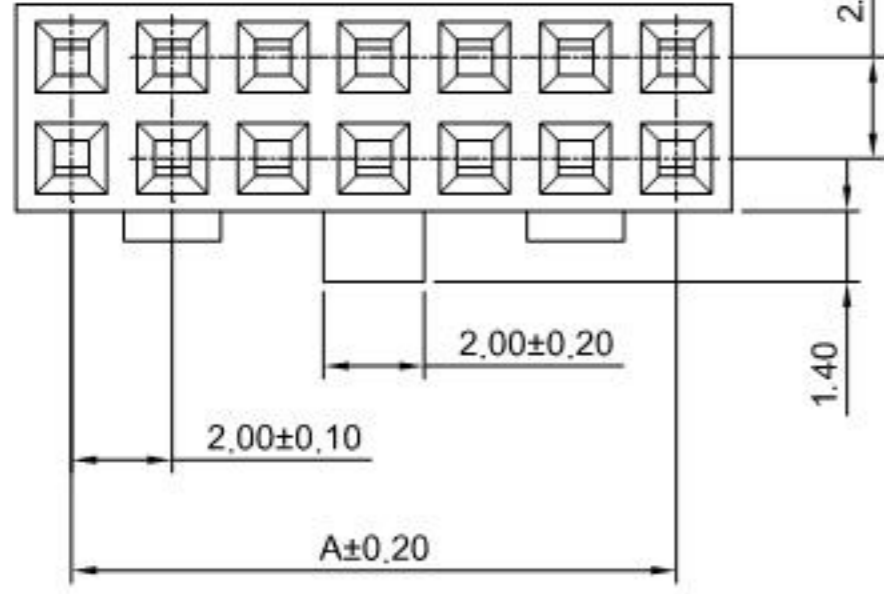
修订 REV	标记 MARK	修改摘要 REVISION DESCRIPTION	签名 SIGNATURE	日期 DATE
A0		NEW RELEASE	WANG	2013-12-04

**SPECIFICATIONS:**

Current Rating: 2A AC,DC  
Voltage Rating: 250V AC,DC  
Temperature Range: -25°C ~ +85°C  
Contact Resistance: 20mΩ Max.  
Insulation Resistance: 1000MΩ Min.  
Withstanding Voltage: 500V AC/minute  
Material: PBT,UL94V-0(Black)

**Ordering Information & Dimensions**

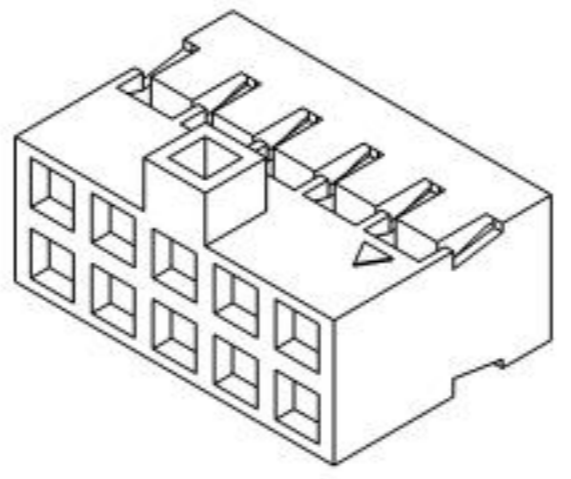
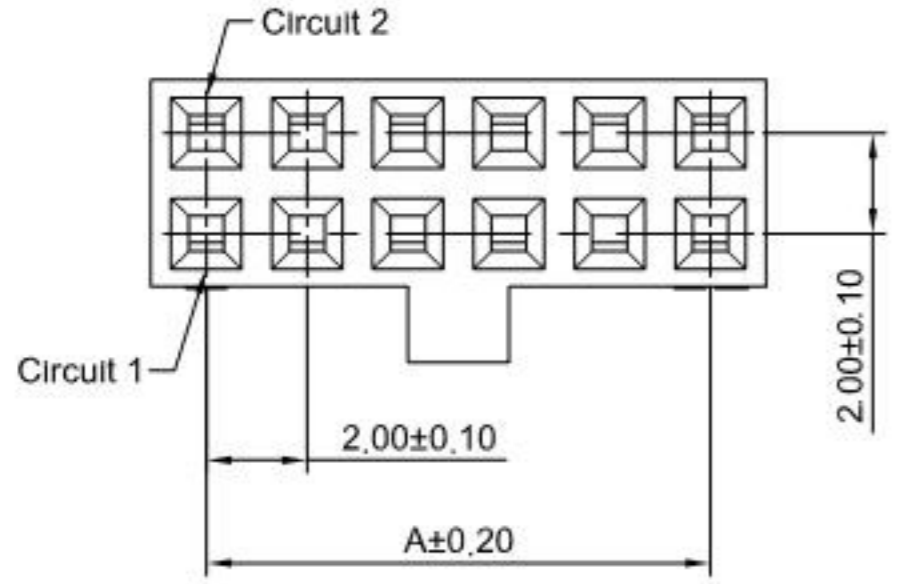
Circuits	Dimensions(mm)			Circuits	Dimensions(mm)		
	A	B	C		A	B	C
2x7P	12.00	14.20	8.00	2x24P	46.00	48.20	42.00
2x8P	14.00	16.20	10.00	2x25P	48.00	50.20	44.00
2x9P	16.00	18.20	12.00	2x26P	50.00	52.20	46.00
2x10P	18.00	20.20	14.00	2x27P	52.00	54.20	48.00
2x11P	20.00	22.20	16.00	2x28P	54.00	56.20	50.00
2x12P	22.00	24.20	18.00	2x29P	56.00	58.20	52.00
2x13P	24.00	26.20	20.00	2x30P	58.00	60.20	54.00
2x14P	26.00	28.20	22.00	2x31P	60.00	62.20	56.00
2x15P	28.00	30.20	24.00	2x32P	62.00	64.20	58.00
2x16P	30.00	32.20	26.00	2x33P	64.00	66.20	60.00
2x17P	32.00	34.20	28.00	2x34P	66.00	68.20	62.00
2x18P	34.00	36.20	30.00	2x35P	68.00	70.20	64.00
2x19P	36.00	38.20	32.00	2x36P	70.00	72.20	66.00
2x20P	38.00	40.20	34.00	2x37P	72.00	74.20	68.00
2x21P	40.00	42.20	36.00	2x38P	74.00	76.20	70.00
2x22P	42.00	44.20	38.00	2x39P	76.00	78.20	72.00
2x23P	44.00	46.20	40.00	2x40P	78.00	80.20	74.00



**HDGC** 深圳市华德共创科技有限公司  
Shenzhen Huade co-create Technology Co., LTD  
TEL: 0755-27129737 FAX: 0755-29940187

-TOLERANCES- UNLESS OTHERWISE SPECIFIED 公差参数表						TITLE: 2.00mm Pitch Housing 产品名称: Housing			
X.X	±0.30	X.X°	±3°	APPD: 核准:	XIE	PART NO: 产品编号: HDGC2005H-N-2xXP-A			
X.XX	±0.30	X.XX°	±2°	CHECK: 校对:	WANG	DATE	SCALE	UNIT	CODE NUMBER
X.XXX	±0.10	X.XXX°	±1°	DRAW: 绘图:	WANG	2013-12-04	5:1	mm	A008

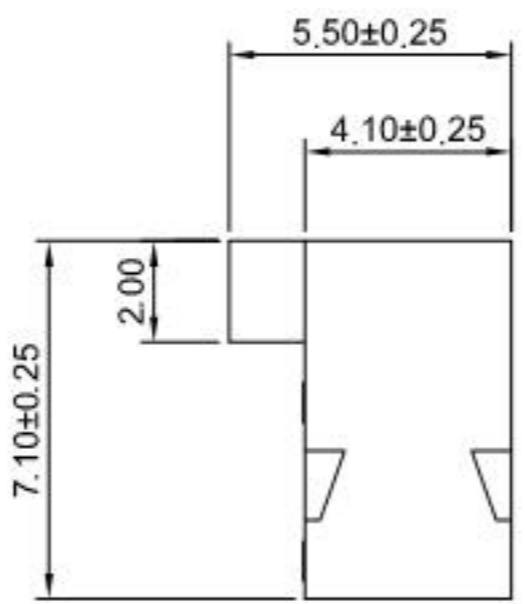
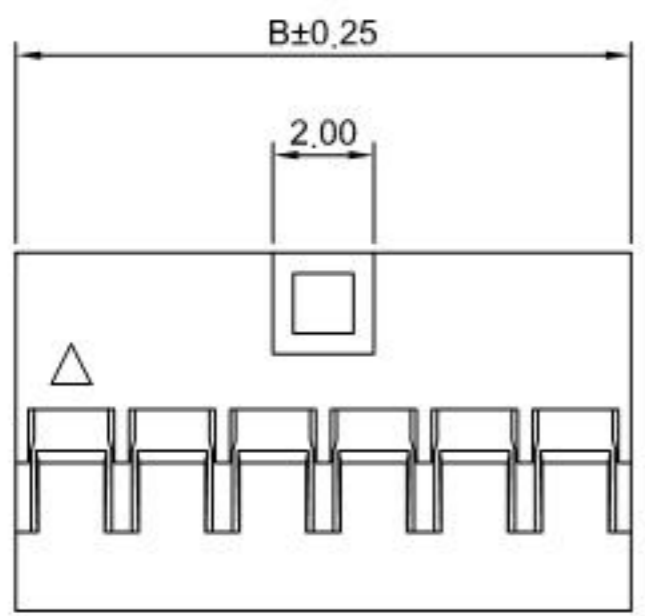
修订 REV	标记 MARK	修改摘要 REVISION DESCRIPTION	签名 SIGNATURE	日期 DATE
A0		NEW RELEASE	WANG	2013-12-04



**SPECIFICATIONS:**  
 Current Rating: 2A AC,DC  
 Voltage Rating: 250V AC,DC  
 Temperature Range: -25°C ~ +85°C  
 Contact Resistance: 20mΩ Max.  
 Insulation Resistance: 1000MΩ Min.  
 Withstanding Voltage: 500V AC/minute  
 Material: PBT,UL94V-0(Black)

Ordering Information & Dimensions

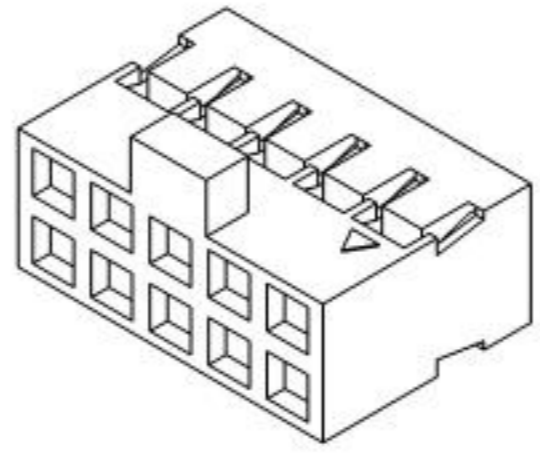
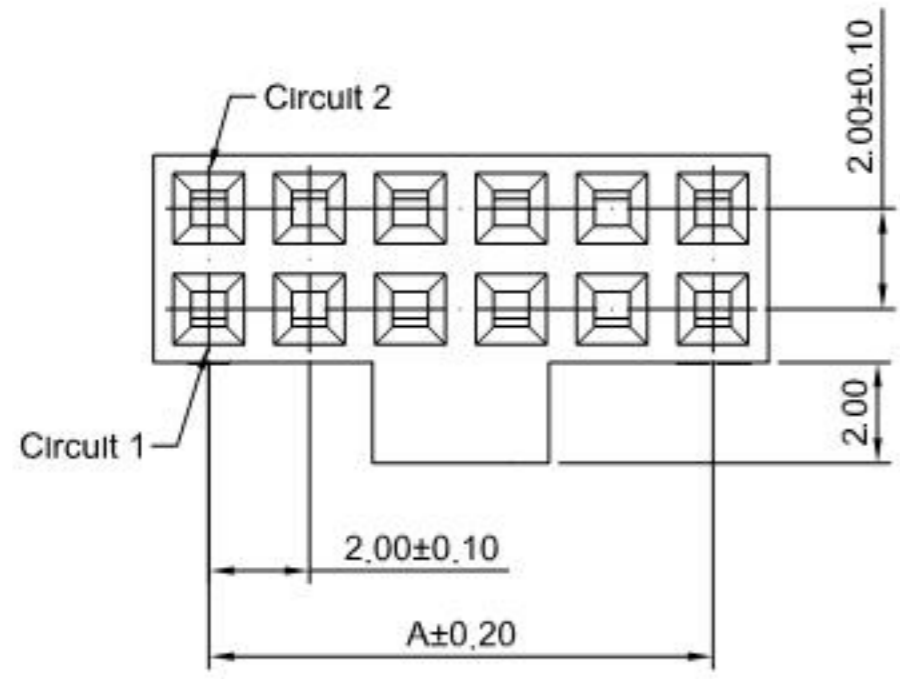
Circuits	Dim(mm)		Circuits	Dim(mm)		Circuits	Dim(mm)	
	A	B		A	B		A	B
2x2P	2.00	4.20	2x15P	28.00	30.20	2x28P	54.00	56.20
2x3P	4.00	6.20	2x16P	30.00	32.20	2x29P	56.00	58.20
2x4P	6.00	8.20	2x17P	32.00	34.20	2x30P	58.00	60.20
2x5P	8.00	10.20	2x18P	34.00	36.20	2x31P	60.00	62.20
2x6P	10.00	12.20	2x19P	36.00	38.20	2x32P	62.00	64.20
2x7P	12.00	14.20	2x20P	38.00	40.20	2x33P	64.00	66.20
2x8P	14.00	16.20	2x21P	40.00	42.20	2x34P	66.00	68.20
2x9P	16.00	18.20	2x22P	42.00	44.20	2x35P	68.00	70.20
2x10P	18.00	20.20	2x23P	44.00	46.20	2x36P	70.00	72.20
2x11P	20.00	22.20	2x24P	46.00	48.20	2x37P	72.00	74.20
2x12P	22.00	24.20	2x25P	48.00	50.20	2x38P	74.00	76.20
2x13P	24.00	26.20	2x26P	50.00	52.20	2x39P	76.00	78.20
2x14P	26.00	28.20	2x27P	52.00	54.20	2x40P	78.00	80.20



**HDGC** 深圳市华德共创科技有限公司  
 Shenzhen Huade co-create Technology Co., LTD  
 TEL: 0755-27129737 FAX: 0755-29940187

-TOLERANCES- UNLESS OTHERWISE SPECIFIED 公差参数表				TITLE: 2.00mm Pitch Housing 产品名称: Housing	
X.X	±0.30	X.X°	±3°	APPD: 核准: XIE	PART NO: HDGC2005H-N-2xXP-B 产品编号:
X.XX	±0.30	X.XX°	±2°	CHECK: 校对: WANG	DATE SCALE UNIT CODE NUMBER
X.XXX	±0.10	X.XXX°	±1°	DRAW: 绘图: WANG	2013-12-04 5:1 mm A008

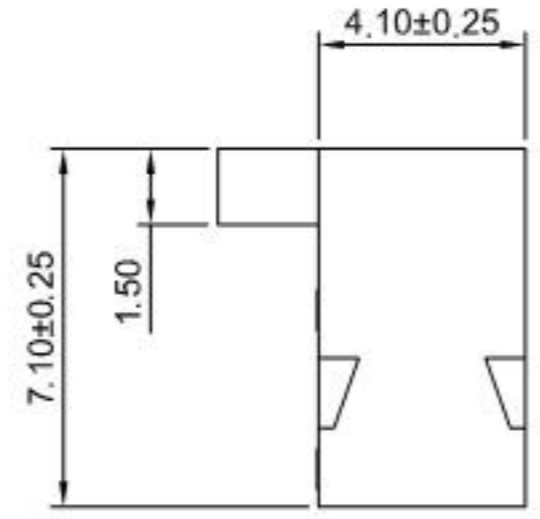
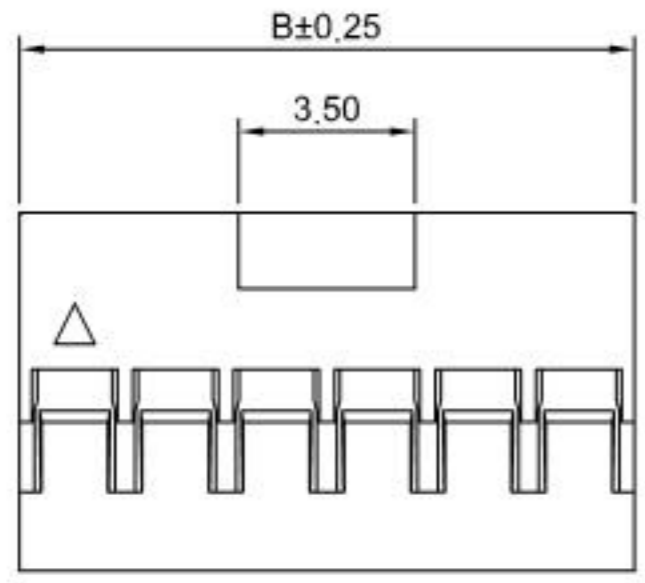
修订 REV	标记 MARK	修改摘要 REVISION DESCRIPTION	签名 SIGNATURE	日期 DATE
A0		NEW RELEASE	WANG	2013-12-04



**SPECIFICATIONS:**  
 Current Rating: 2A AC,DC  
 Voltage Rating: 250V AC,DC  
 Temperature Range: -25°C ~ +85°C  
 Contact Resistance: 20mΩ Max.  
 Insulation Resistance: 1000MΩ Min.  
 Withstanding Voltage: 500V AC/minute  
 Material: Nylon 66,UL94V-0(Black)

**Ordering Information & Dimensions**

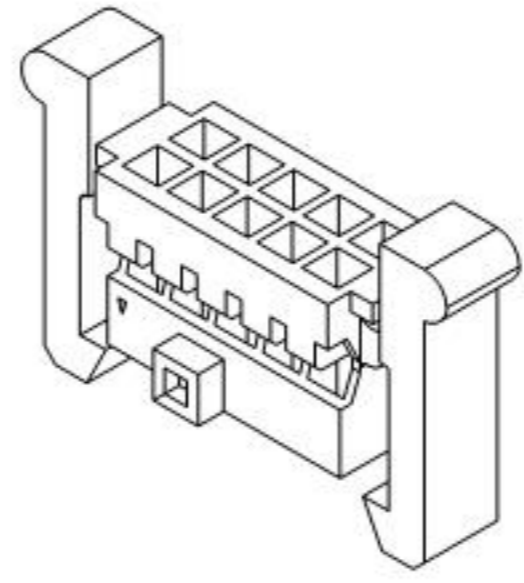
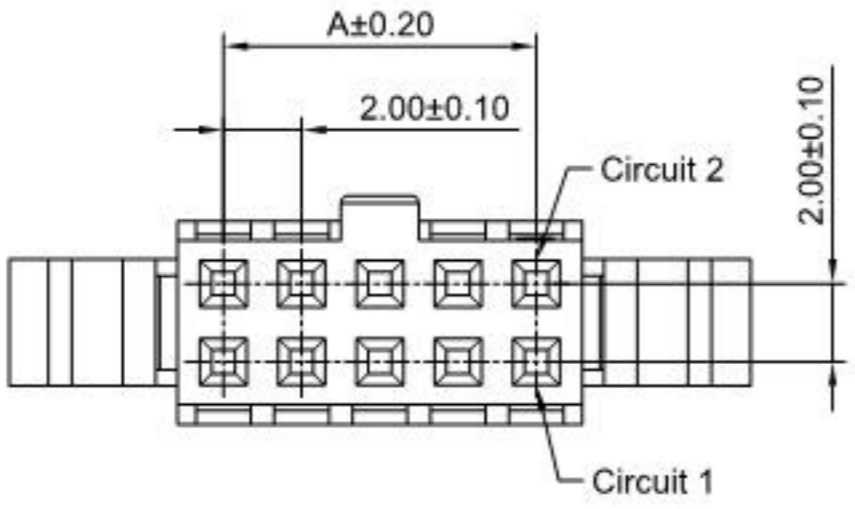
Circuits	Dimensions(mm)		Circuits	Dimensions(mm)	
	A	B		A	B
2x2P	2.00	4.20	2x14P	26.00	28.20
2x3P	4.00	6.20	2x15P	28.00	30.20
2x4P	6.00	8.20	2x16P	30.00	32.20
2x5P	8.00	10.20	2x17P	32.00	34.20
2x6P	10.00	12.20	2x18P	34.00	36.20
2x7P	12.00	14.20	2x19P	36.00	38.20
2x8P	14.00	16.20	2x20P	38.00	40.20
2x9P	16.00	18.20	2x21P	40.00	42.20
2x10P	18.00	20.20	2x22P	42.00	44.20
2x11P	20.00	22.20	2x23P	44.00	46.20
2x12P	22.00	24.20	2x24P	46.00	48.20
2x13P	24.00	26.20	2x25P	48.00	50.20



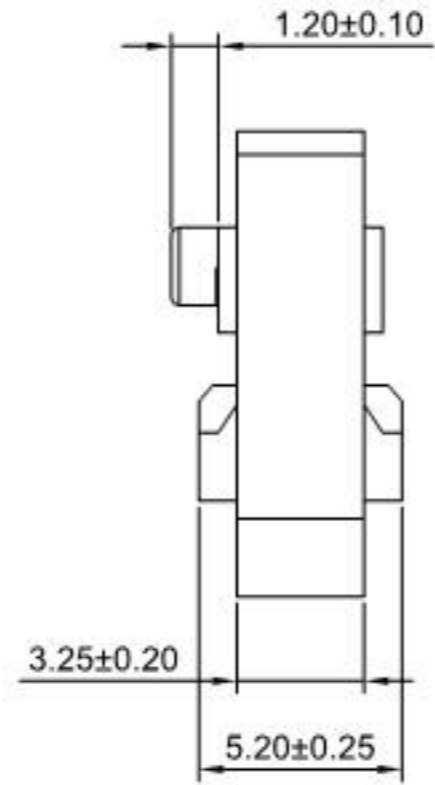
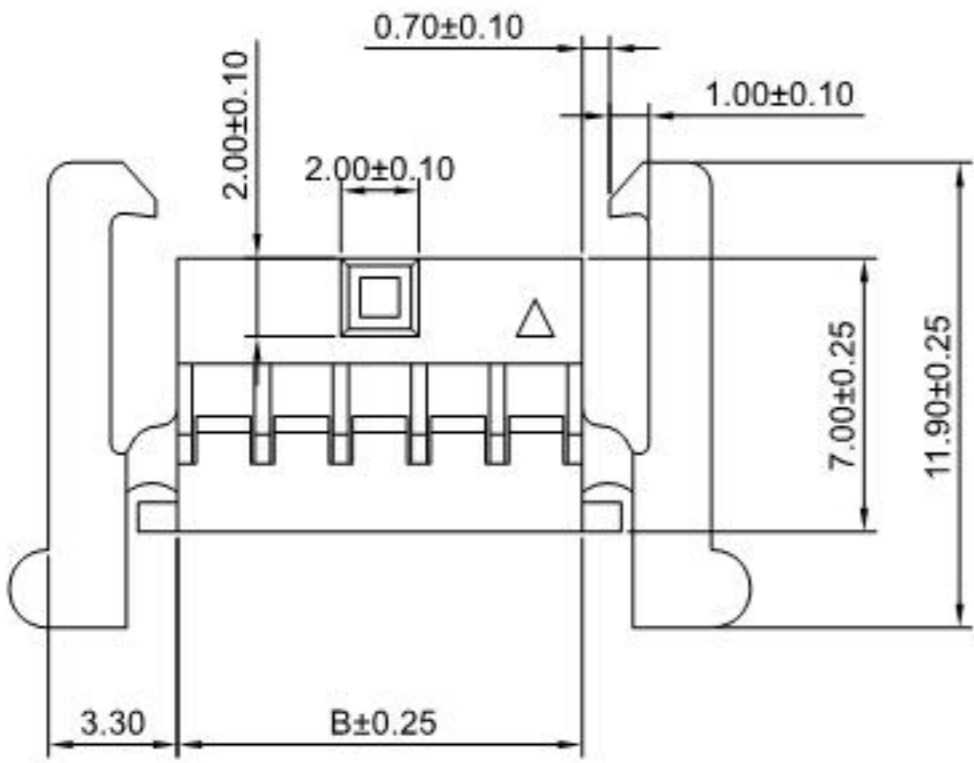
**HDGC** 深圳市华德共创科技有限公司  
 Shenzhen Huade co-create Technology Co., LTD  
 TEL: 0755-27129737 FAX: 0755-29940187

-TOLERANCES- UNLESS OTHERWISE SPECIFIED 公差参数表						TITLE: 2.00mm Pitch Housing 产品名称: Housing			
X.X	±0.30	X.X°	±3°	APPD: 核准:	XIE	PART NO: HDGC2005H-N-2xXP-D 产品编号:			
X.XX	±0.30	X.XX°	±2°	CHECK: 校对:	WANG	DATE	SCALE	UNIT	CODE NUMBER
X.XXX	±0.10	X.XXX°	±1°	DRAW: 绘图:	WANG	2013-12-04	5:1	mm	A008

修订 REV	标记 MARK	修改摘要 REVISION DESCRIPTION	签名 SIGNATURE	日期 DATE
A0		NEW RELEASE	WANG	2013-12-04



**SPECIFICATIONS:**  
 Current Rating: 2A AC,DC  
 Voltage Rating: 250V AC,DC  
 Temperature Range: -25°C ~ +85°C  
 Contact Resistance: 20mΩ Max.  
 Insulation Resistance: 1000MΩ Min.  
 Withstanding Voltage: 1000V AC/minute  
 Material: Nylon 66, UL94V-0(Black)



**Ordering Information & Dimensions**

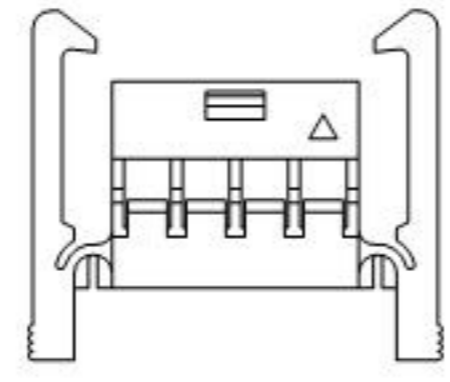
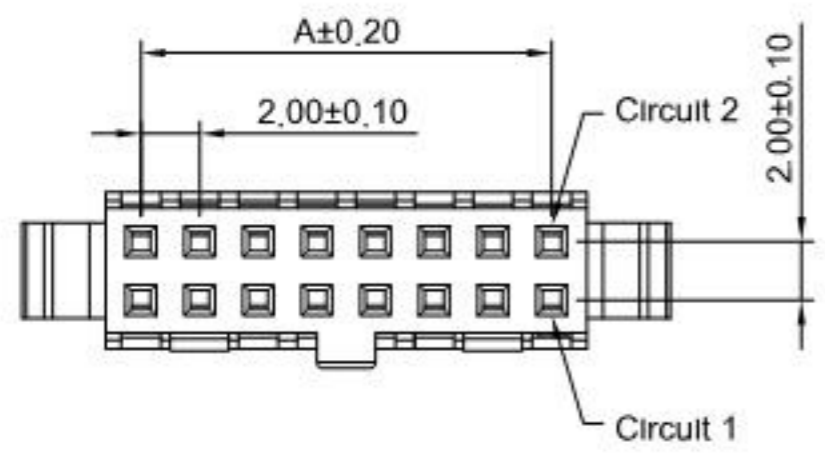
Circuits	Dimensions(mm)		Circuits	Dimensions(mm)	
	A	B		A	B
2x2P	2.00	4.35	2x14P	26.00	28.35
2x3P	4.00	6.35	2x15P	28.00	30.35
2x4P	6.00	8.35	2x16P	30.00	32.35
2x5P	8.00	10.35	2x17P	32.00	34.35
2x6P	10.00	12.35	2x18P	34.00	36.35
2x7P	12.00	14.35	2x19P	36.00	38.35
2x8P	14.00	16.35	2x20P	38.00	40.35
2x9P	16.00	18.35	2x21P	40.00	42.35
2x10P	18.00	20.35	2x22P	42.00	44.35
2x11P	20.00	22.35	2x23P	44.00	46.35
2x12P	22.00	24.35	2x24P	46.00	48.35
2x13P	24.00	26.35	2x25P	48.00	50.35



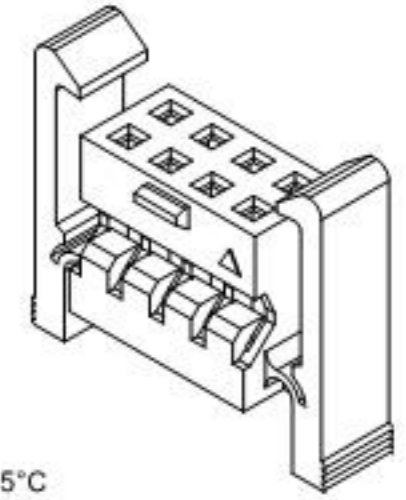
**深圳市华德共创科技有限公司**  
 Shenzhen Huade co-create Technology Co., LTD  
 TEL: 0755-27129737 FAX: 0755-29940187

-TOLERANCES- UNLESS OTHERWISE SPECIFIED 公差参数表						TITLE: 2.00mm Pitch Housing 产品名称: Housing			
X.X	±0.30	X.X°	±3°	APPD: 核准:	XIE	PART NO: HDGC2005HA-2xXP 产品编号:			
X.XX	±0.30	X.XX°	±2°	CHECK: 校对:	WANG	DATE	SCALE	UNIT	CODE NUMBER
X.XXX	±0.10	X.XXX°	±1°	DRAW: 绘图:	WANG	2013-12-04	4:1	mm	A008

修订 REV	标记 MARK	修改摘要 REVISION DESCRIPTION	签名 SIGNATURE	日期 DATE
A0		NEW RELEASE	WANG	2018-03-04



2x2P~2x6P

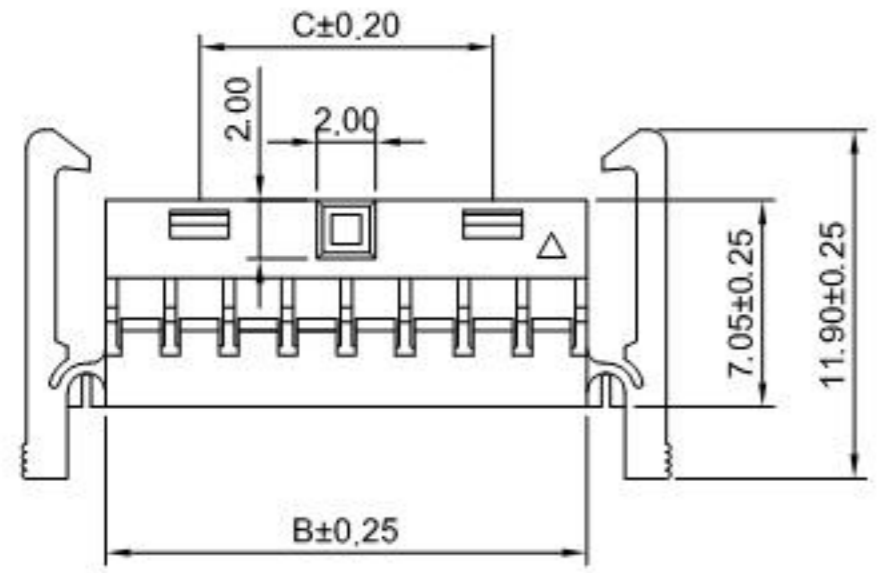


**SPECIFICATIONS:**

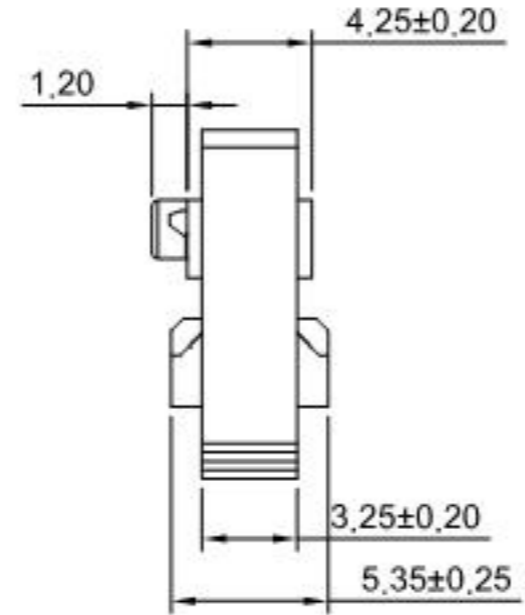
Current Rating: 2A AC,DC  
Voltage Rating: 250V AC,DC  
Temperature Range: -25°C ~ +85°C  
Contact Resistance: 20mΩ Max.  
Insulation Resistance: 1000MΩ Min.  
Withstanding Voltage: 500V AC/minute  
Material: Nylon 66, UL94V-0(Black)

**Ordering Information & Dimensions**

Circuits	Dimensions(mm)			Circuits	Dimensions(mm)		
	A	B	C		A	B	C
2x2P	2.00	4.35	---	2x14P	26.00	28.35	22.00
2x3P	4.00	6.35	---	2x15P	28.00	30.35	24.00
2x4P	6.00	8.35	---	2x16P	30.00	32.35	26.00
2x5P	8.00	10.35	---	2x17P	32.00	34.35	28.00
2x6P	10.00	12.35	---	2x18P	34.00	36.35	30.00
2x7P	12.00	14.35	8.00	2x19P	36.00	38.35	32.00
2x8P	14.00	16.35	10.00	2x20P	38.00	40.35	34.00
2x9P	16.00	18.35	12.00	2x21P	40.00	42.35	36.00
2x10P	18.00	20.35	14.00	2x22P	42.00	44.35	38.00
2x11P	20.00	22.35	16.00	2x23P	44.00	46.35	40.00
2x12P	22.00	24.35	18.00	2x24P	46.00	48.35	42.00
2x13P	24.00	26.35	20.00	2x25P	48.00	50.35	44.00



2x7P~2x25P



**HDGC** 深圳市华德共创科技有限公司  
Shenzhen Huade co-create Technology Co., LTD  
TEL: 0755-27129737 FAX: 0755-29940187

-TOLERANCES- UNLESS OTHERWISE SPECIFIED 公差参数表				TITLE: 产品名称: 2.00mm Pitch Housing	
X.X	±0.30	X.X°	±3°	APPD: 核准:	XIE
X.XX	±0.30	X.XX°	±2°	CHECK: 校对:	WANG
X.XXX	±0.10	X.XXX°	±1°	DRAW: 绘图:	WANG
PART NO: 产品编号:		HDGC2005HC-2xXP			
DATE	SCALE	UNIT	CODE NUMBER		
2018-03-04	3:1	mm	A008		

修订 REV	标记 MARK	修改摘要 REVISION DESCRIPTION	签名 SIGNATURE	日期 DATE
A0		NEW RELEASE	WANG	2013-03-22

**Ordering Information:**

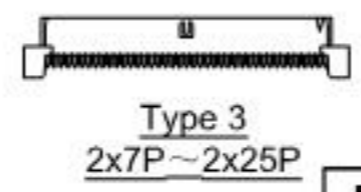
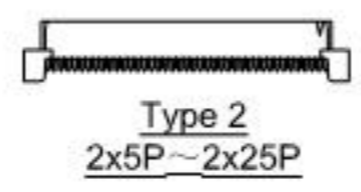
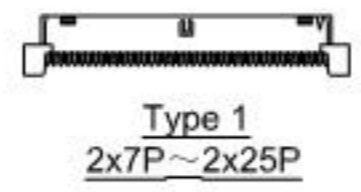
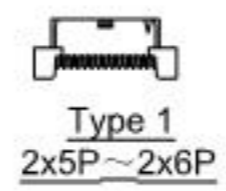
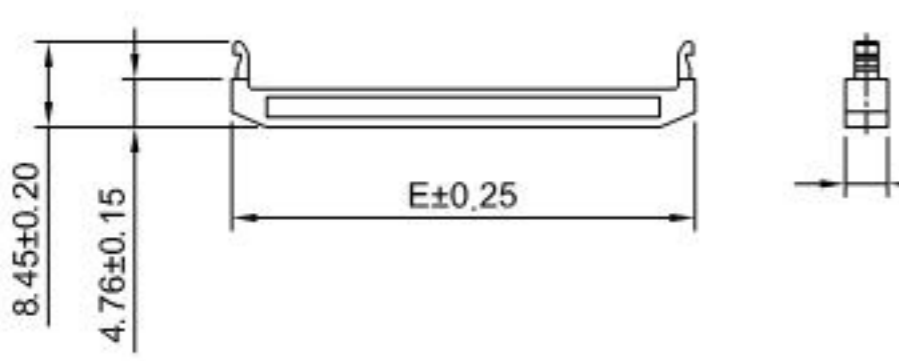
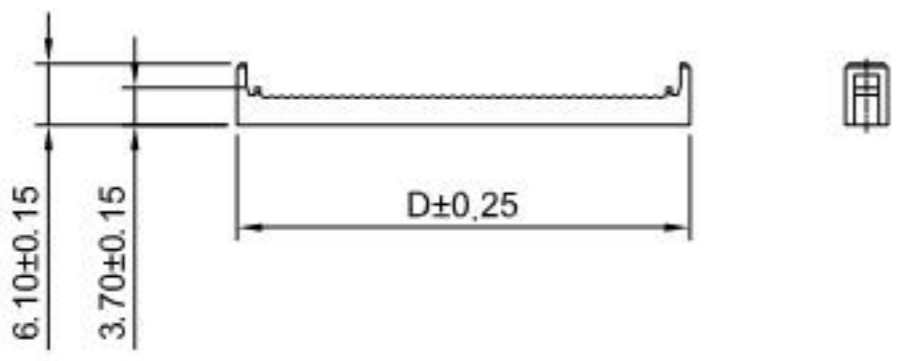
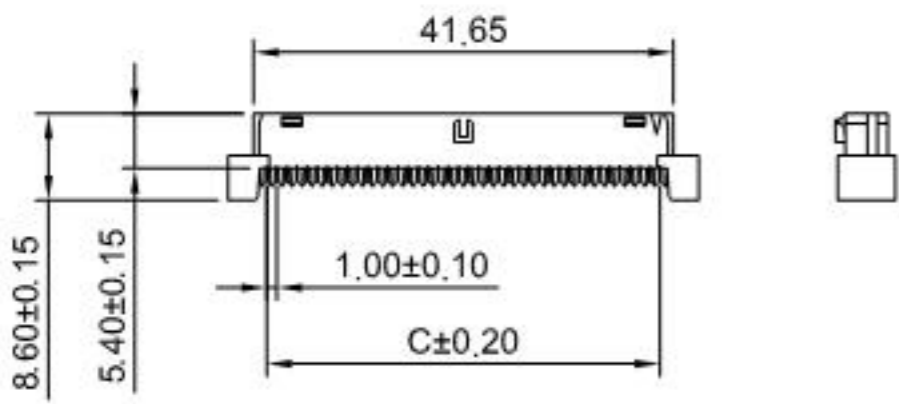
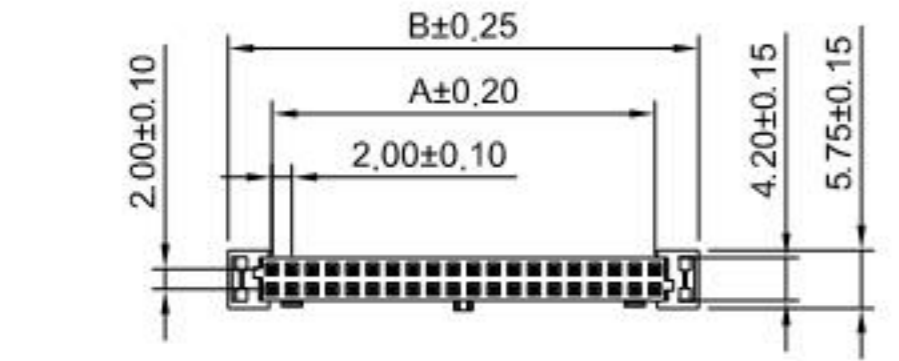
HDGC2005HI-2xXP -  $\frac{1}{2}$  -  $\frac{22}{3}$  -  $\frac{22}{4}$

- Part No.
- Plated:  
(blank): Tin over Nickel  
G: Gold over Nickel
- Color:  
(blank): Black  
GY: Grey
- Style:  
(blank): Type 1  
2: Type 2  
3: Type 3

**SPECIFICATIONS:**  
 Current Rating: 2A AC,DC  
 Voltage Rating: 250V AC,DC  
 Temperature Range: -25°C ~ +85°C  
 Contact Resistance: 20mΩ Max.  
 Insulation Resistance: 1000MΩ Min.  
 Withstanding Voltage: 500V AC/minute  
 Pin Material: Phosphor Bronze/Tin over Nickel  
 Material: PBT+30%GF, UL94V-0(Black)

**Ordering Information & Dimensions**

Circuits	Dimensions(mm)				
	A	B	C	D	E
2x5P	8.00	16.65	11.65	14.90	15.95
2x6P	10.00	18.65	13.65	16.90	17.95
2x7P	12.00	20.65	15.65	18.90	19.95
2x8P	14.00	22.65	17.65	20.90	21.95
2x9P	16.00	24.65	19.65	22.90	23.95
2x10P	18.00	26.65	21.65	24.90	25.95
2x11P	20.00	28.65	23.65	26.90	27.95
2x12P	22.00	30.65	25.65	28.90	29.95
2x13P	24.00	32.65	27.65	30.90	31.95
2x14P	26.00	34.65	29.65	32.90	33.95
2x15P	28.00	36.65	31.65	34.90	35.95
2x16P	30.00	38.65	33.65	36.90	37.95
2x17P	32.00	40.65	35.65	38.90	39.95
2x18P	34.00	42.65	37.65	40.90	41.95
2x19P	36.00	44.65	39.65	42.90	43.95
2x20P	38.00	46.65	41.65	44.90	45.95
2x21P	40.00	48.65	43.65	46.90	47.95
2x22P	42.00	50.65	45.65	48.90	49.95
2x23P	44.00	52.65	47.65	50.90	51.95
2x24P	46.00	54.65	49.65	52.90	53.95
2x25P	48.00	56.65	51.65	54.90	55.95

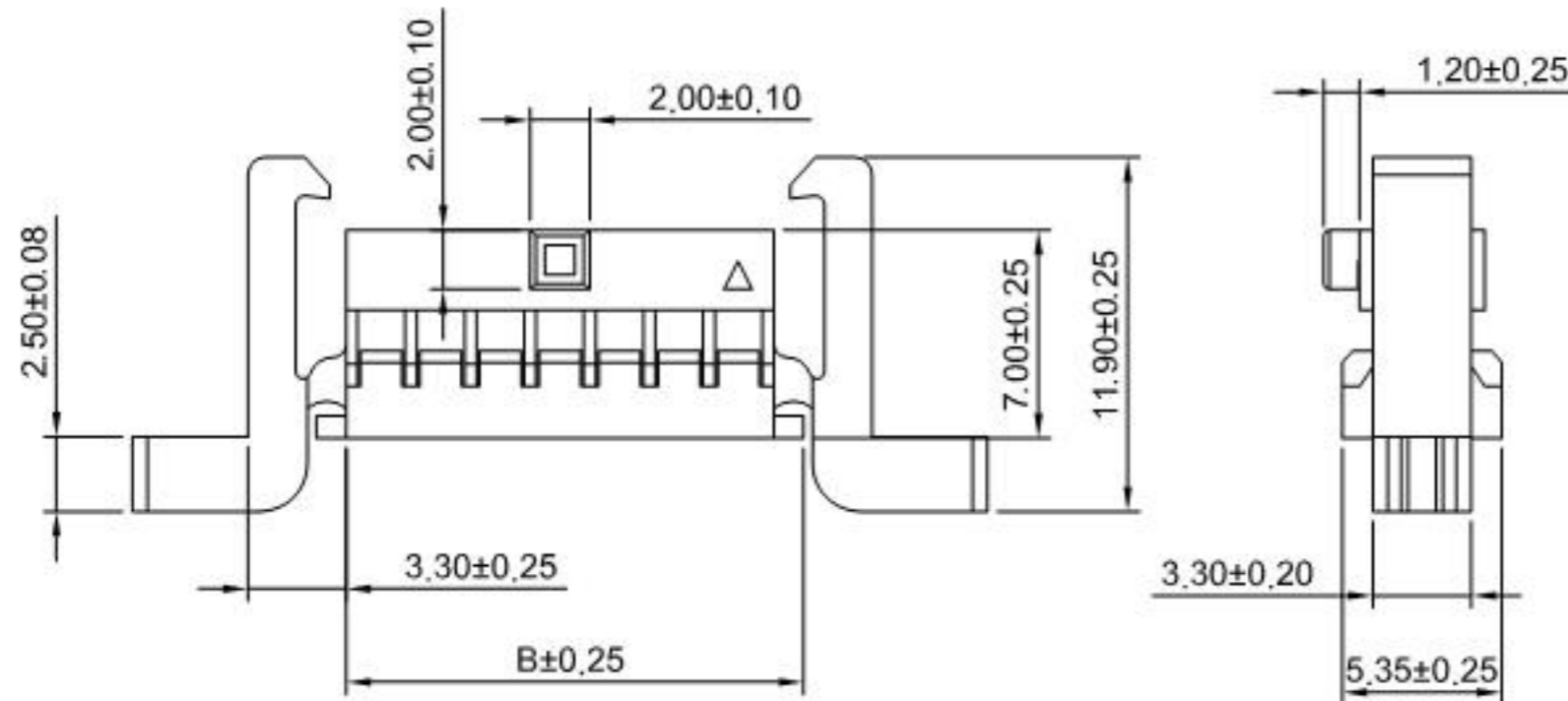
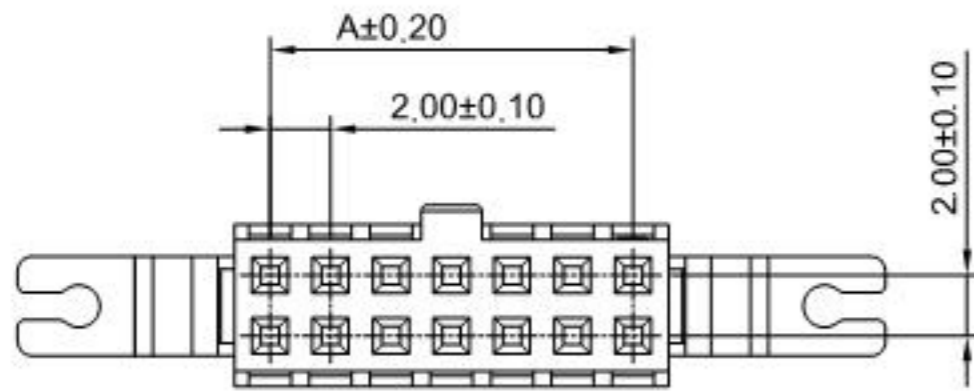


4.20±0.15

**HDGC** 深圳市华德共创科技有限公司  
 Shenzhen Huade co-create Technology Co., LTD  
 TEL: 0755-27129737 FAX: 0755-29940187

-TOLERANCES- UNLESS OTHERWISE SPECIFIED 公差参数表				TITLE: 2.00mm Pitch Housing 产品名称: Housing	
X.X	±0.30	X.X°	±3°	APPD: 核准: XIE	PART NO: HDGC2005HI-2xXP 产品编号:
X.XX	±0.30	X.XX°	±2°	CHECK: 校对: WANG	DATE SCALE UNIT CODE NUMBER
X.XXX	±0.10	X.XXX°	±1°	DRAW: 绘图: WANG	2013-03-22 1:1 mm A008

修订 REV	标记 MARK	修改摘要 REVISION DESCRIPTION	签名 SIGNATURE	日期 DATE
A0		NEW RELEASE	WANG	2013-03-22



### SPECIFICATIONS:

Current Rating: 2A AC,DC  
Voltage Rating: 250V AC,DC  
Temperature Range:  $-25^{\circ}\text{C} \sim +85^{\circ}\text{C}$   
Contact Resistance: 20m $\Omega$  Max.  
Insulation Resistance: 1000M $\Omega$  Min.  
Withstanding Voltage: 500V AC/minute  
Material: Nylon 66, UL94V-0(Black)

### Ordering Information & Dimensions

Circuits	Dimensions(mm)		Circuits	Dimensions(mm)	
	A	B		A	B
2x7P	12.00	14.35	2x14P	26.00	28.35
2x8P	14.00	16.35	2x15P	28.00	30.35
2x9P	16.00	18.35	2x16P	30.00	32.35
2x10P	18.00	20.35	2x17P	32.00	34.35
2x11P	20.00	22.35	2x18P	34.00	36.35
2x12P	22.00	24.35	2x19P	36.00	38.35
2x13P	24.00	26.35	2x20P	38.00	40.35



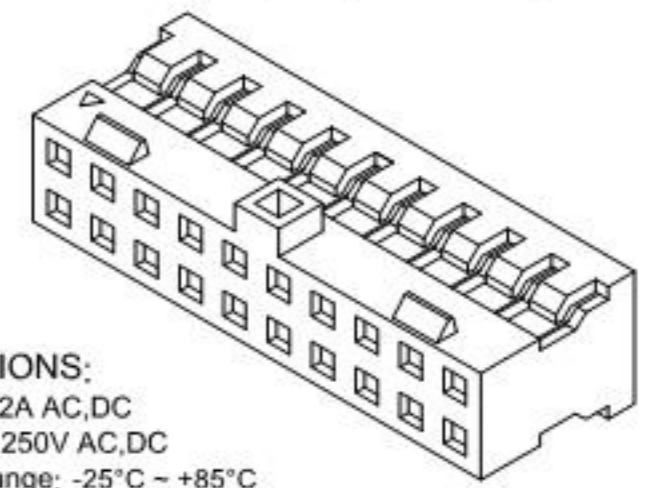
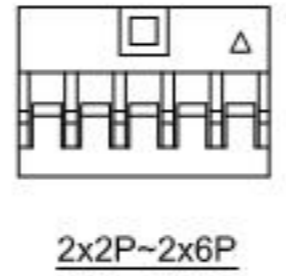
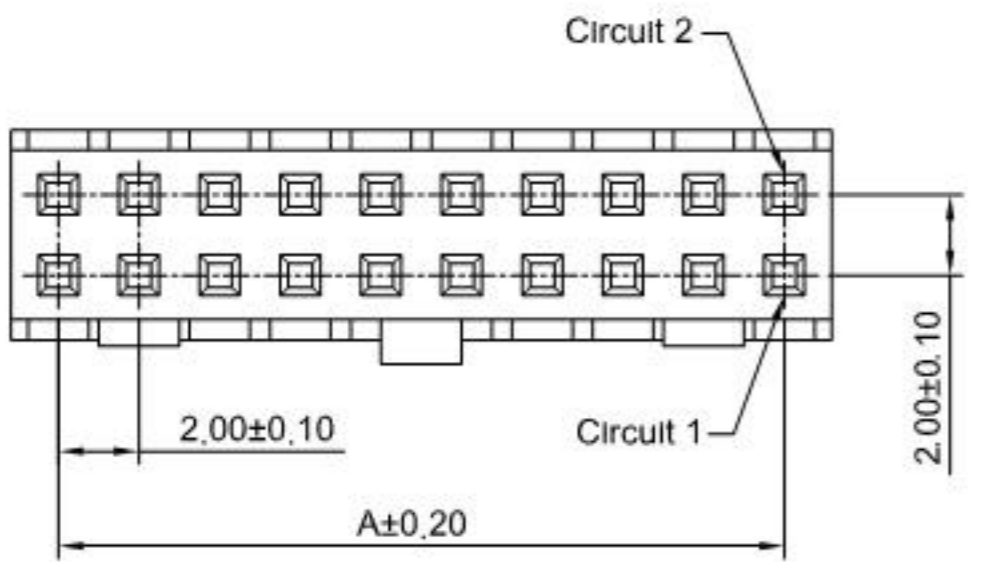
深圳市华德共创科技有限公司

Shenzhen Huade co-create Technology Co., LTD

TEL: 0755-27129737 FAX: 0755-29940187

-TOLERANCES- UNLESS OTHERWISE SPECIFIED 公差参数表						TITLE: 2.00mm Pitch Housing 产品名称: Housing			
X.X	$\pm 0.30$	X.X°	$\pm 3^{\circ}$	APPD: 核准:	XIE	PART NO: 产品编号: HDGC2005HA-2xXP-A			
X.XX	$\pm 0.30$	X.XX°	$\pm 2^{\circ}$	CHECK: 校对:	WANG	DATE	SCALE	UNIT	CODE NUMBER
X.XXX	$\pm 0.10$	X.XXX°	$\pm 1^{\circ}$	DRAW: 绘图:	WANG	2013-03-22	3:1	mm	A008

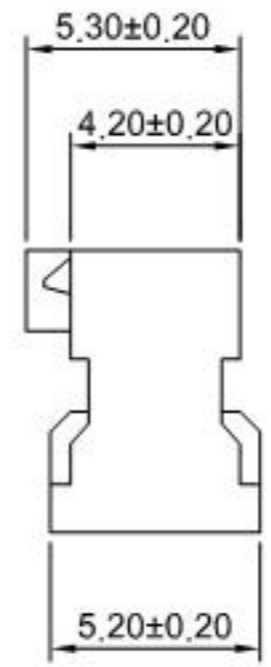
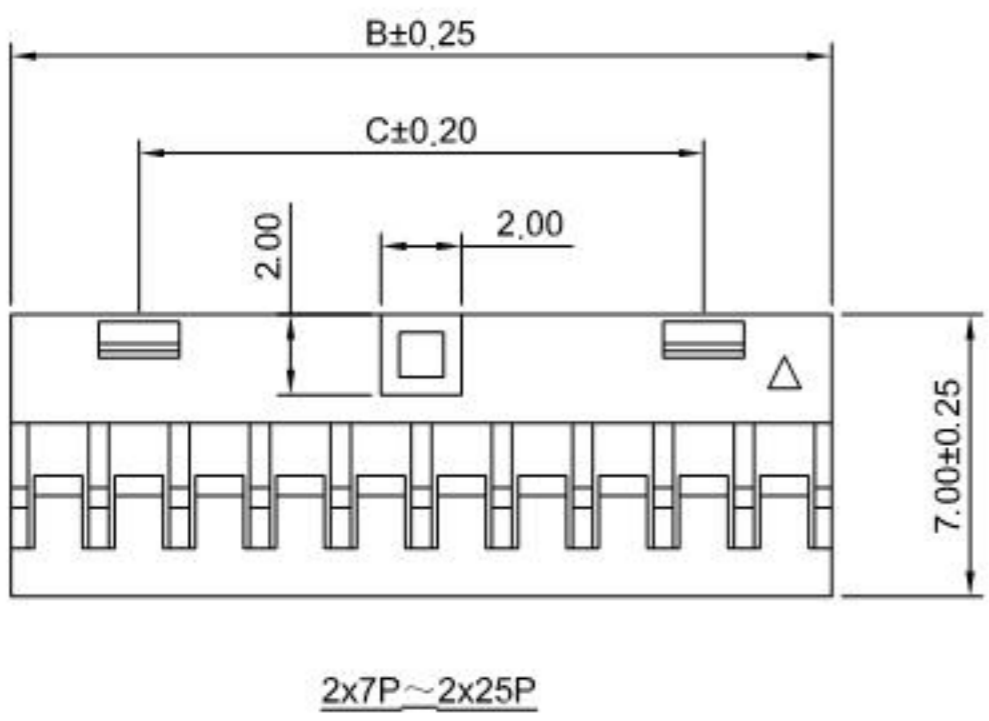
修订 REV	标记 MARK	修改摘要 REVISION DESCRIPTION	签名 SIGNATURE	日期 DATE
A0		NEW RELEASE	WANG	2013-03-22



**SPECIFICATIONS:**  
 Current Rating: 2A AC,DC  
 Voltage Rating: 250V AC,DC  
 Temperature Range: -25°C ~ +85°C  
 Contact Resistance: 20mΩ Max.  
 Insulation Resistance: 1000MΩ Min.  
 Withstanding Voltage: 500V AC/minute  
 Material: Nylon 66 +25%GF, UL94V-0(Black)

**Ordering Information & Dimensions**

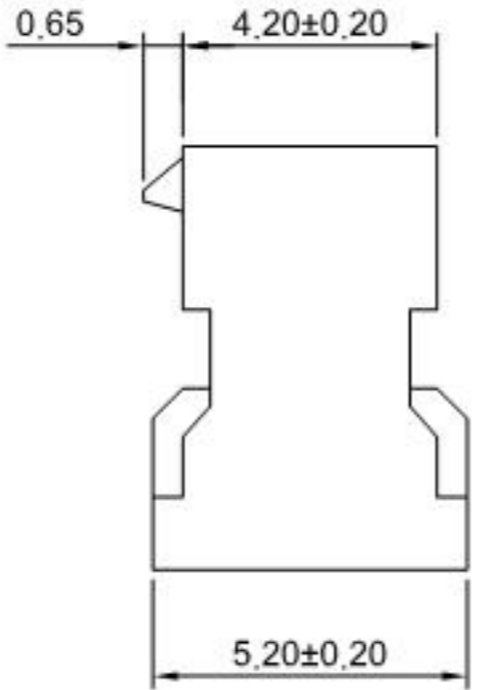
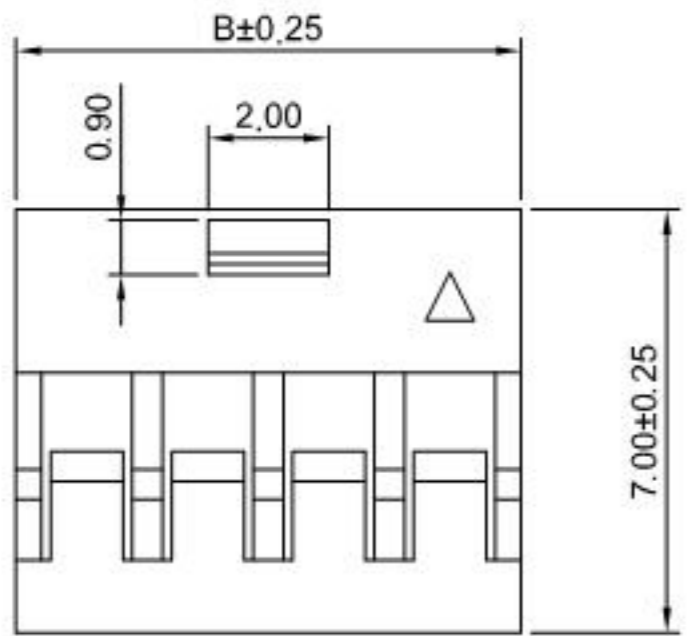
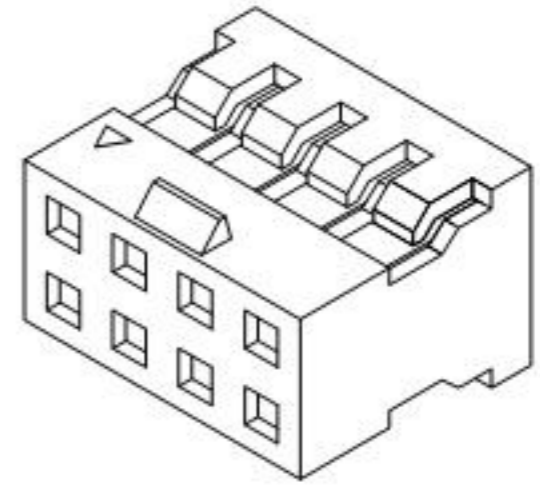
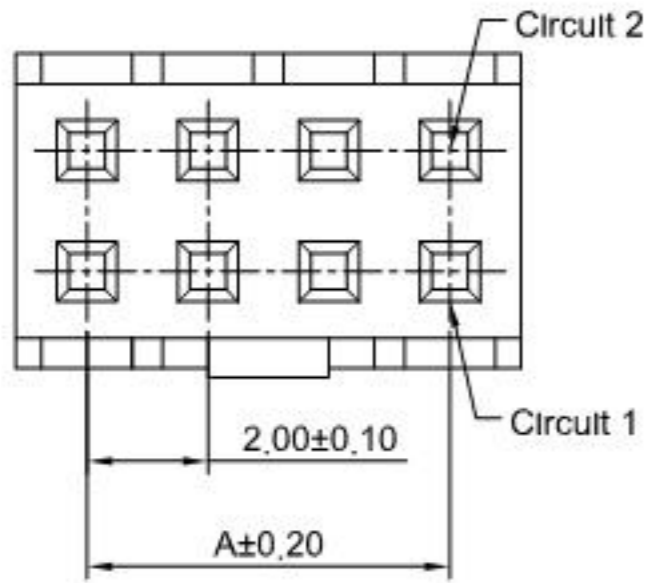
Circuits	Dimensions(mm)			Circuits	Dimensions(mm)		
	A	B	C		A	B	C
2x2P	2.00	4.35	---	2x14P	26.00	28.35	22.00
2x3P	4.00	6.35	---	2x15P	28.00	30.35	24.00
2x4P	6.00	8.35	---	2x16P	30.00	32.35	26.00
2x5P	8.00	10.35	---	2x17P	32.00	34.35	28.00
2x6P	10.00	12.35	---	2x18P	34.00	36.35	30.00
2x7P	12.00	14.35	8.00	2x19P	36.00	38.35	32.00
2x8P	14.00	16.35	10.00	2x20P	38.00	40.35	34.00
2x9P	16.00	18.35	12.00	2x21P	40.00	42.35	36.00
2x10P	18.00	20.35	14.00	2x22P	42.00	44.35	38.00
2x11P	20.00	22.35	16.00	2x23P	44.00	46.35	40.00
2x12P	22.00	24.35	18.00	2x24P	46.00	48.35	42.00
2x13P	24.00	26.35	20.00	2x25P	48.00	50.35	44.00



**HDGC** 深圳市华德共创科技有限公司  
 Shenzhen Huade co-create Technology Co., LTD  
 TEL: 0755-27129737 FAX: 0755-29940187

-TOLERANCES- UNLESS OTHERWISE SPECIFIED 公差参数表				TITLE: 2.00mm Pitch 产品名称: Housing	
X.X	±0.30	X.X°	±3°	APPD: 核准:	XIE
X.XX	±0.30	X.XX°	±2°	CHECK: 校对:	WANG
X.XXX	±0.10	X.XXX°	±1°	DRAW: 绘图:	WANG
PART NO: 产品编号:		HDGC2005HB-N-2xXP-A			
DATE	SCALE	UNIT	CODE NUMBER		
2013-03-22	4:1	mm	A008		

修订 REV	标记 MARK	修改摘要 REVISION DESCRIPTION	签名 SIGNATURE	日期 DATE
A0		NEW RELEASE	WANG	2013-03-22



**SPECIFICATIONS:**

Current Rating: 2A AC,DC  
Voltage Rating: 250V AC,DC  
Temperature Range: -25°C ~ +85°C  
Contact Resistance: 20mΩ Max.  
Insulation Resistance: 1000MΩ Min.  
Withstanding Voltage: 500V AC/minute  
Material: Nylon 66 +25%GF, UL94V-0(Black)

**Ordering Information & Dimensions**

Circuits	Dimensions(mm)		Circuits	Dimensions(mm)	
	A	B		A	B
2x2P	2,00	4,35	2x5P	8,00	10,35
2x3P	4,00	6,35	2x6P	10,00	12,35
2x4P	6,00	8,35			

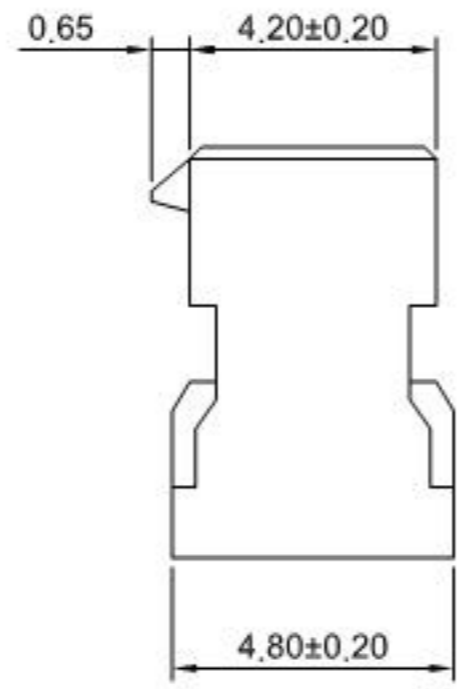
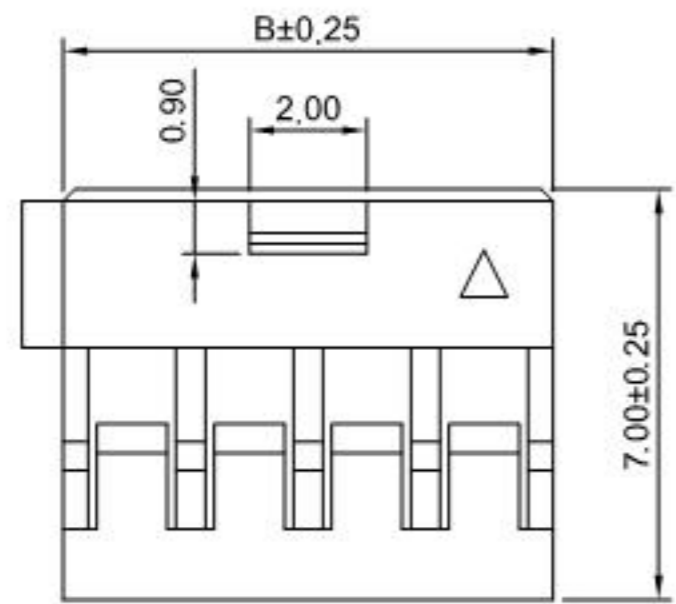
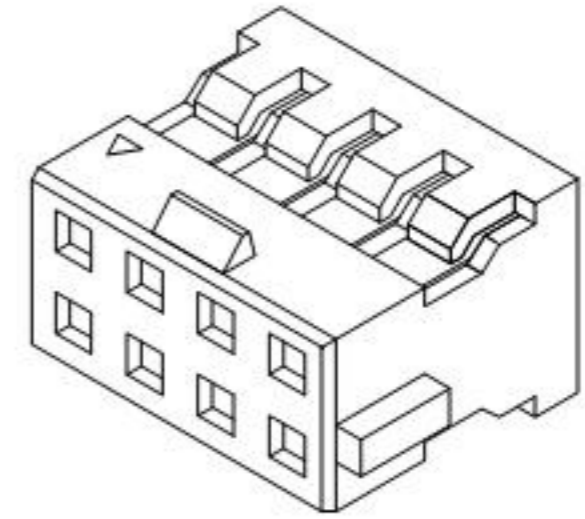
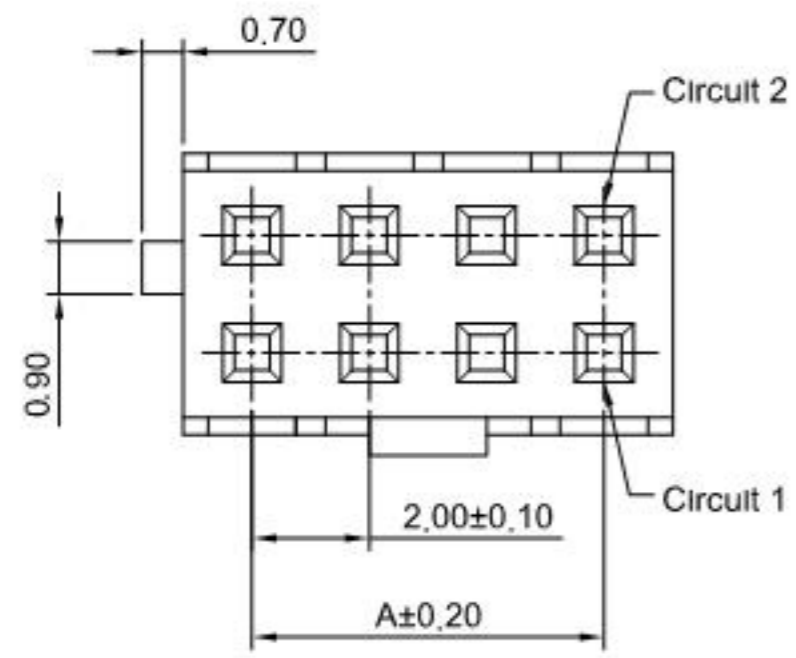


**深圳市华德共创科技有限公司**

Shenzhen Huade co-create Technology Co., LTD  
TEL: 0755-27129737 FAX: 0755-29940187

-TOLERANCES- UNLESS OTHERWISE SPECIFIED 公差参数表						TITLE: 2.00mm Pitch Housing 产品名称: Housing			
X.X	±0.30	X.X°	±3°	APPD: 核准:	XIE	PART NO: HDGC2005HB-N-2xXP-B 产品编号:			
X.XX	±0.30	X.XX°	±2°	CHECK: 校对:	WANG	DATE	SCALE	UNIT	CODE NUMBER
X.XXX	±0.10	X.XXX°	±1°	DRAW: 绘图:	WANG	2013-03-22	4:1	mm	A008

修订 REV	标记 MARK	修改摘要 REVISION DESCRIPTION	签名 SIGNATURE	日期 DATE
A0		NEW RELEASE	WANG	2013-03-22



**SPECIFICATIONS:**  
 Current Rating: 2A AC,DC  
 Voltage Rating: 250V AC,DC  
 Temperature Range: -25°C ~ +85°C  
 Contact Resistance: 20mΩ Max,  
 Insulation Resistance: 1000MΩ Min,  
 Withstanding Voltage: 500V AC/minute  
 Material: Nylon 66 +25%GF, UL94V-0(Black)

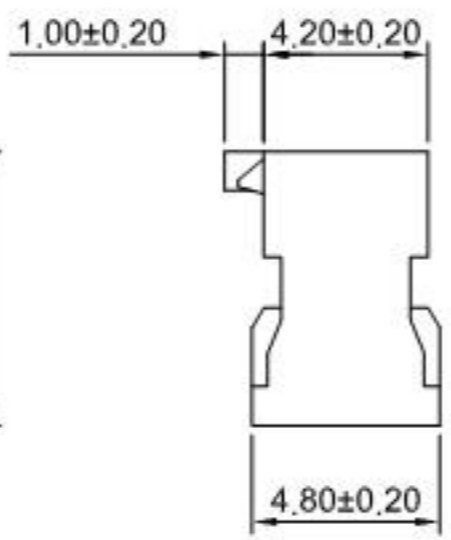
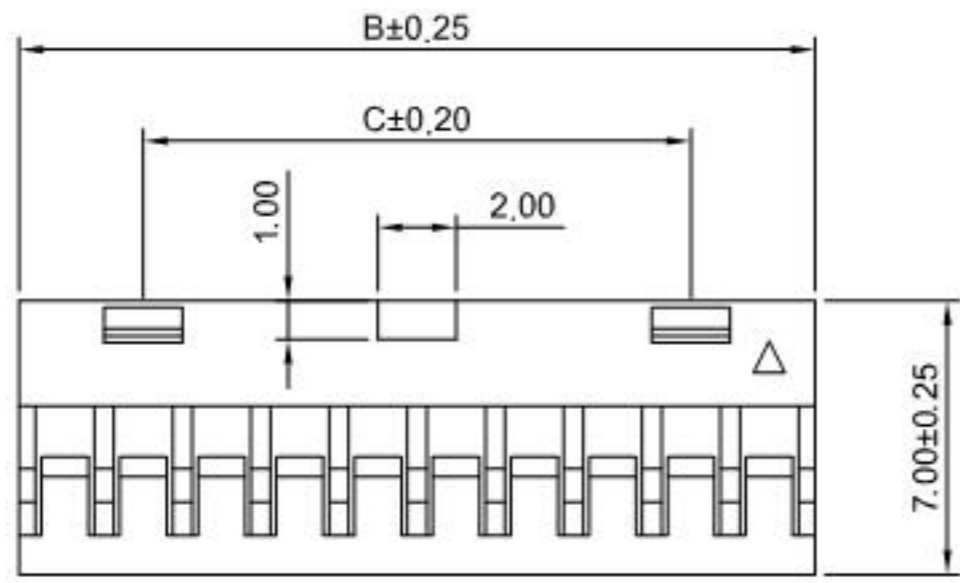
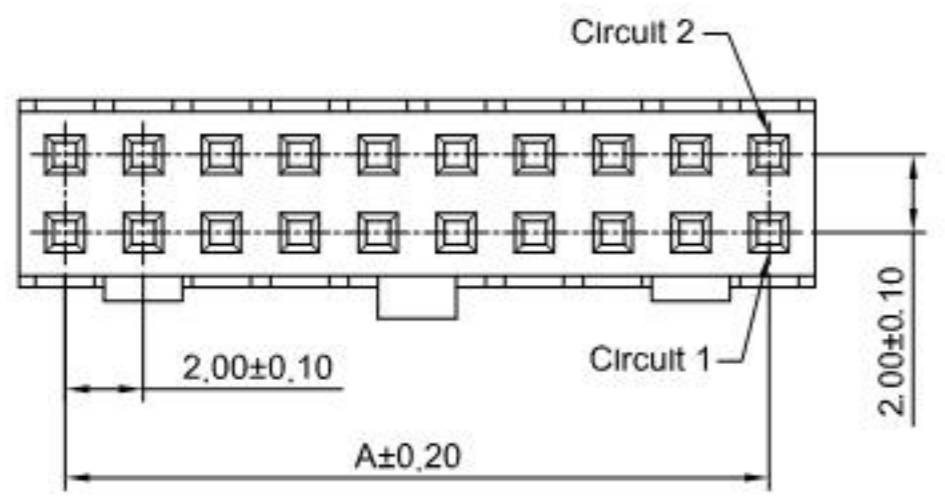
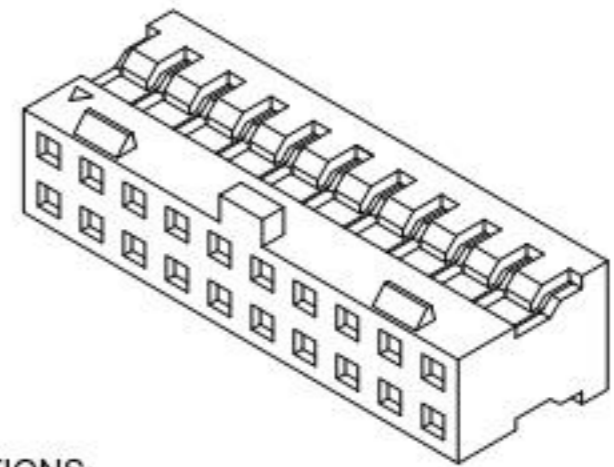
**Ordering Information & Dimensions**

Circuits	Dimensions(mm)		Circuits	Dimensions(mm)	
	A	B		A	B
2x2P	2.00	4.35	2x5P	8.00	10.35
2x3P	4.00	6.35	2x6P	10.00	12.35
2x4P	6.00	8.35			

**HDGC** 深圳市华德共创科技有限公司  
 Shenzhen Huade co-create Technology Co., LTD  
 TEL: 0755-27129737 FAX: 0755-29940187

-TOLERANCES- UNLESS OTHERWISE SPECIFIED 公差参数表						TITLE: 2.00mm Pitch Housing 产品名称: Housing			
X.X	±0.30	X.X°	±3°	APPD: 核准:	XIE	PART NO: HDGC2005HB-N-2xXP-C 产品编号:			
X.XX	±0.30	X.XX°	±2°	CHECK: 校对:	WANG	DATE	SCALE	UNIT	CODE NUMBER
X.XXX	±0.10	X.XXX°	±1°	DRAW: 绘图:	WANG	2013-03-22	6:1	mm	A008

修订 REV	标记 MARK	修改摘要 REVISION DESCRIPTION	签名 SIGNATURE	日期 DATE
A0		NEW RELEASE	WANG	2013-03-22



**SPECIFICATIONS:**

Current Rating: 2A AC,DC  
Voltage Rating: 250V AC,DC  
Temperature Range: -25°C ~ +85°C  
Contact Resistance: 20mΩ Max.  
Insulation Resistance: 1000MΩ Min.  
Withstanding Voltage: 500V AC/minute  
Material: PBT,UL94V-0(Black)

**Ordering Information & Dimensions**

Circuits	Dimensions(mm)			Circuits	Dimensions(mm)		
	A	B	C		A	B	C
2x7P	12,00	14,35	8,00	2x17P	32,00	34,35	28,00
2x8P	14,00	16,35	10,00	2x18P	34,00	36,35	30,00
2x9P	16,00	18,35	12,00	2x19P	36,00	38,35	32,00
2x10P	18,00	20,35	14,00	2x20P	38,00	40,35	34,00
2x11P	20,00	22,35	16,00	2x21P	40,00	42,35	36,00
2x12P	22,00	24,35	18,00	2x22P	42,00	44,35	38,00
2x13P	24,00	26,35	20,00	2x23P	44,00	46,35	40,00
2x14P	26,00	28,35	22,00	2x24P	46,00	48,35	42,00
2x15P	28,00	30,35	24,00	2x25P	48,00	50,35	44,00
2x16P	30,00	32,35	26,00				

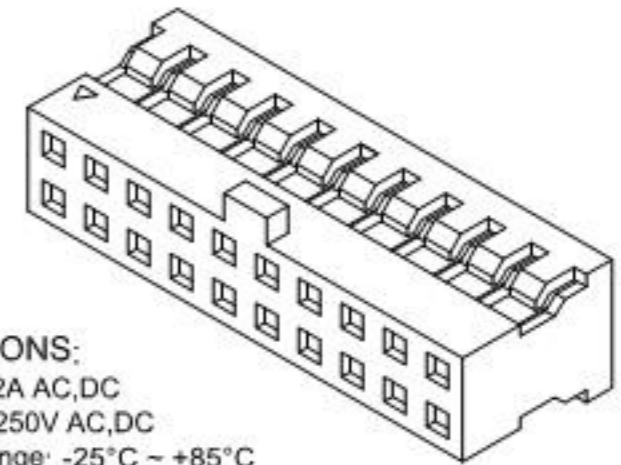


**深圳市华德共创科技有限公司**

Shenzhen Huade co-create Technology Co., LTD  
TEL: 0755-27129737 FAX: 0755-29940187

-TOLERANCES- UNLESS OTHERWISE SPECIFIED 公差参数表						TITLE: 2.00mm Pitch Housing 产品名称: Housing			
X.X	±0.30	X.X°	±3°	APPD: 核准:	XIE	PART NO: 产品编号: HDGC2005HB-N-2xXP-D			
X.XX	±0.30	X.XX°	±2°	CHECK: 校对:	WANG	DATE	SCALE	UNIT	CODE NUMBER
X.XXX	±0.10	X.XXX°	±1°	DRAW: 绘图:	WANG	2013-03-22	4:1	mm	A008

修订 REV	标记 MARK	修改摘要 REVISION DESCRIPTION	签名 SIGNATURE	日期 DATE
A0		NEW RELEASE	WANG	2013-03-22

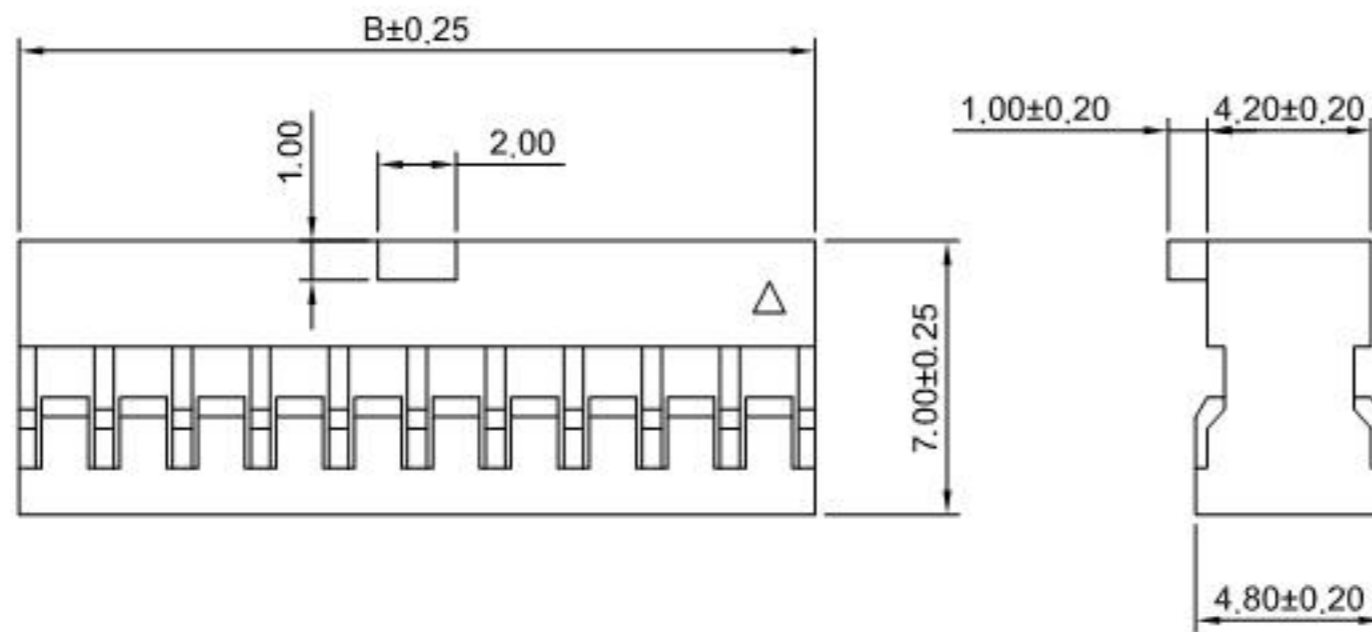
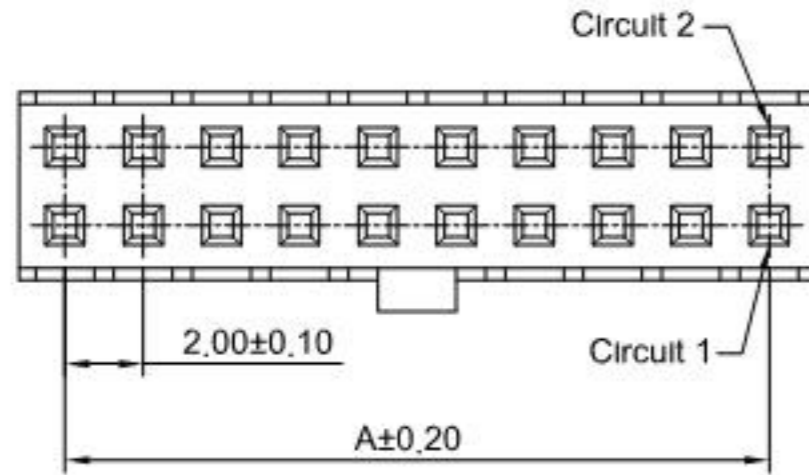


**SPECIFICATIONS:**

Current Rating: 2A AC,DC  
Voltage Rating: 250V AC,DC  
Temperature Range: -25°C ~ +85°C  
Contact Resistance: 20mΩ Max.  
Insulation Resistance: 1000MΩ Min.  
Withstanding Voltage: 500V AC/minute  
Material: PBT,UL94V-0(Black)

**Ordering Information & Dimensions**

Circuits	Dimensions(mm)		Circuits	Dimensions(mm)	
	A	B		A	B
2x2P	2.00	4.35	2x14P	26.00	28.35
2x3P	4.00	6.35	2x15P	28.00	30.35
2x4P	6.00	8.35	2x16P	30.00	32.35
2x5P	8.00	10.35	2x17P	32.00	34.35
2x6P	10.00	12.35	2x18P	34.00	36.35
2x7P	12.00	14.35	2x19P	36.00	38.35
2x8P	14.00	16.35	2x20P	38.00	40.35
2x9P	16.00	18.35	2x21P	40.00	42.35
2x10P	18.00	20.35	2x22P	42.00	44.35
2x11P	20.00	22.35	2x23P	44.00	46.35
2x12P	22.00	24.35	2x24P	46.00	48.35
2x13P	24.00	26.35	2x25P	48.00	50.35



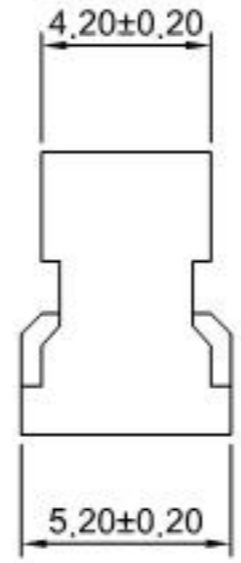
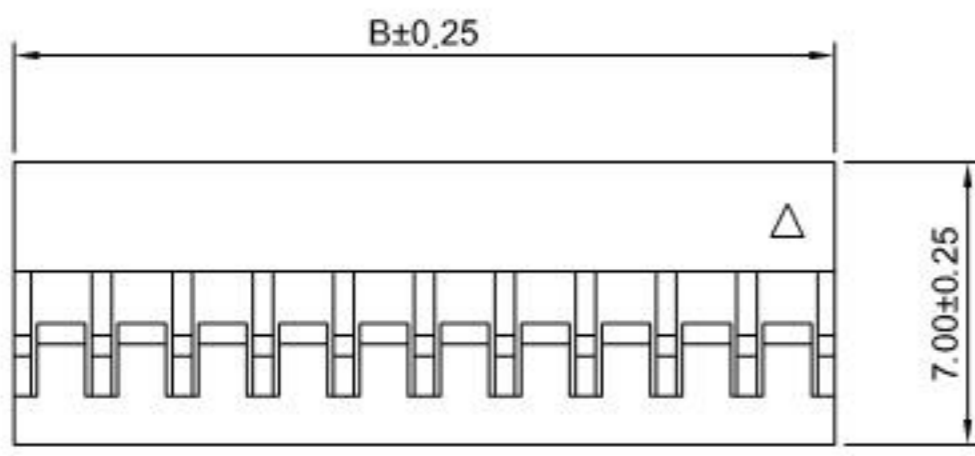
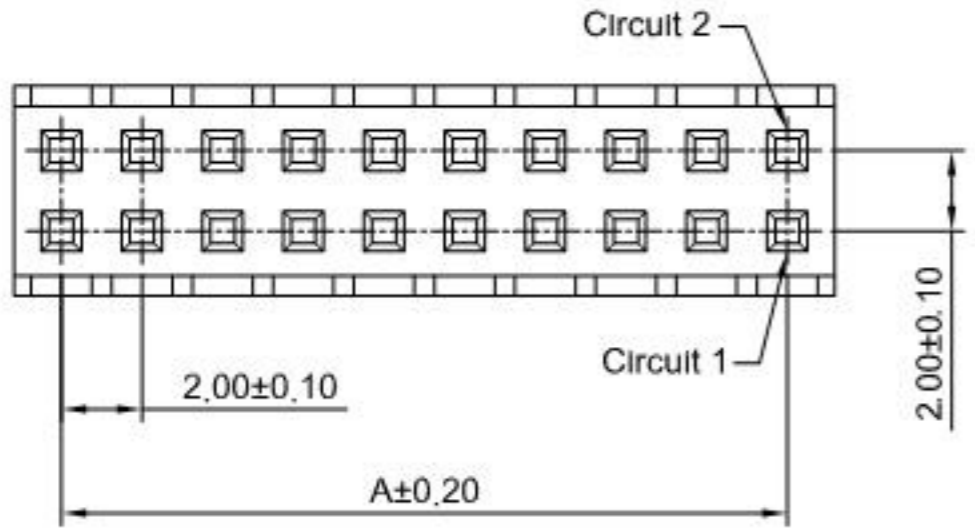
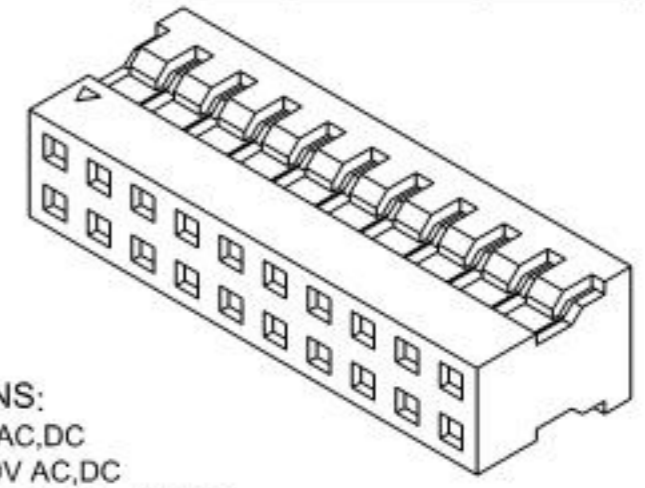
深圳市华德共创科技有限公司

Shenzhen Huade co-create Technology Co., LTD

TEL: 0755-27129737 FAX: 0755-29940187

-TOLERANCES- UNLESS OTHERWISE SPECIFIED 公差参数表						TITLE: 2.00mm Pitch Housing 产品名称: Housing			
X.X	±0.30	X.X°	±3°	APPD: 核准:	XIE	PART NO: HDGC2005HB-N-2xXP-E 产品编号:			
X.XX	±0.30	X.XX°	±2°	CHECK: 校对:	WANG	DATE	SCALE	UNIT	CODE NUMBER
X.XXX	±0.10	X.XXX°	±1°	DRAW: 绘图:	WANG	2013-03-22	4:1	mm	A008

修订 REV	标记 MARK	修改摘要 REVISION DESCRIPTION	签名 SIGNATURE	日期 DATE
A0		NEW RELEASE	WANG	2013-03-22



**SPECIFICATIONS:**

Current Rating: 2A AC,DC  
 Voltage Rating: 250V AC,DC  
 Temperature Range: -25°C ~ +85°C  
 Contact Resistance: 20mΩ Max.  
 Insulation Resistance: 1000MΩ Min.  
 Withstanding Voltage: 500V AC/minute  
 Material: Nylon 66 +25%GF, UL94V-0(Black)

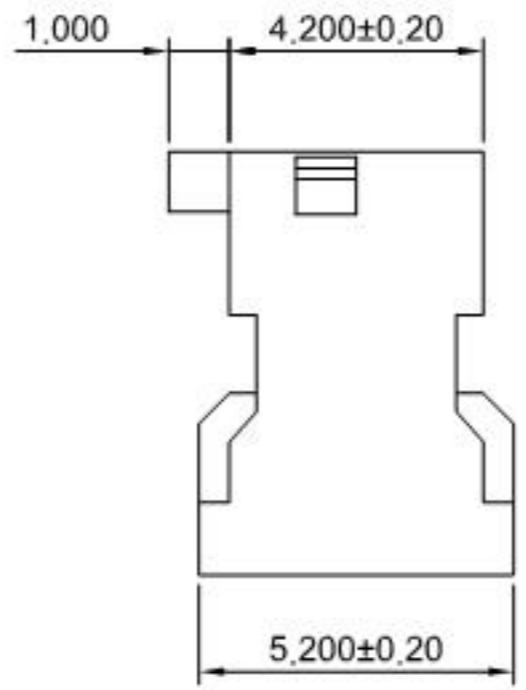
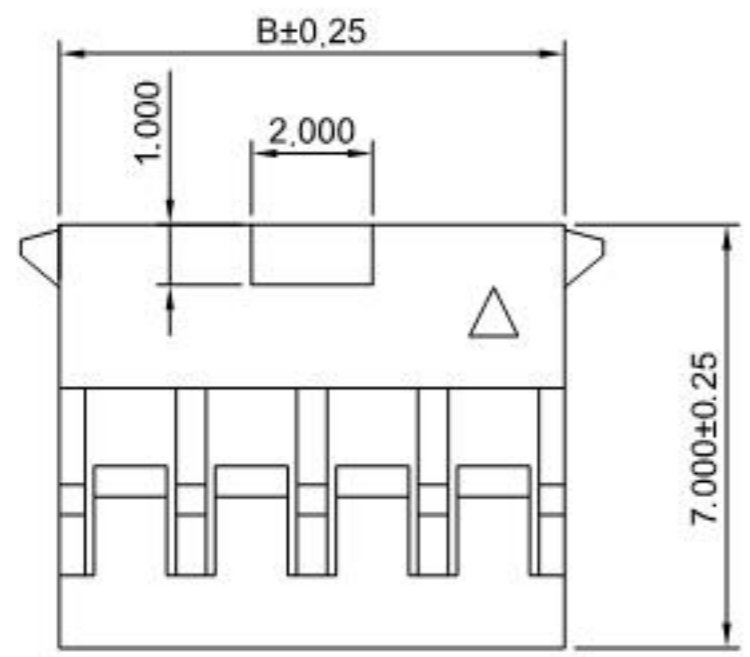
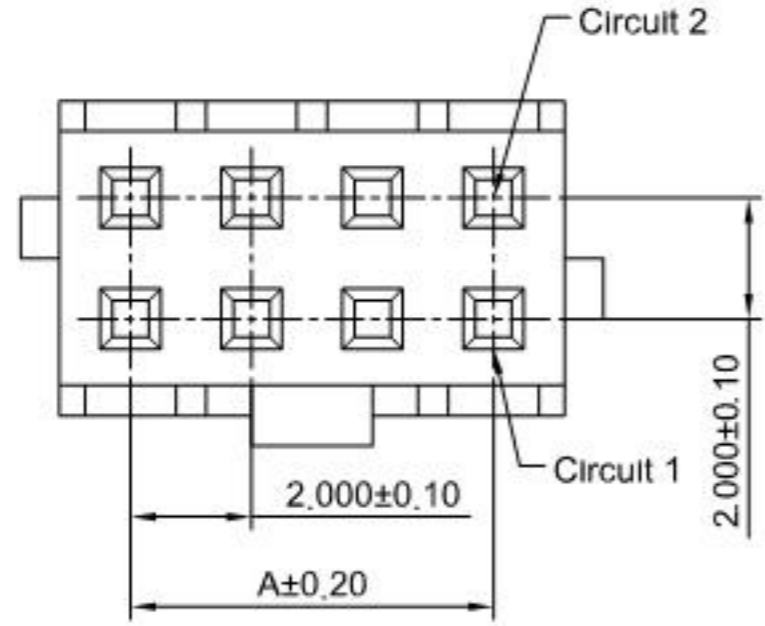
**Ordering Information & Dimensions**

Circuits	Dimensions(mm)		Circuits	Dimensions(mm)	
	A	B		A	B
2x2P	2.00	4.35	2x14P	26.00	28.35
2x3P	4.00	6.35	2x15P	28.00	30.35
2x4P	6.00	8.35	2x16P	30.00	32.35
2x5P	8.00	10.35	2x17P	32.00	34.35
2x6P	10.00	12.35	2x18P	34.00	36.35
2x7P	12.00	14.35	2x19P	36.00	38.35
2x8P	14.00	16.35	2x20P	38.00	40.35
2x9P	16.00	18.35	2x21P	40.00	42.35
2x10P	18.00	20.35	2x22P	42.00	44.35
2x11P	20.00	22.35	2x23P	44.00	46.35
2x12P	22.00	24.35	2x24P	46.00	48.35
2x13P	24.00	26.35	2x25P	48.00	50.35

**HDGC** 深圳市华德共创科技有限公司  
 Shenzhen Huade co-create Technology Co., LTD  
 TEL: 0755-27129737 FAX: 0755-29940187

-TOLERANCES- UNLESS OTHERWISE SPECIFIED 公差参数表						TITLE: 2.00mm Pitch Housing 产品名称: Housing			
X.X	±0.30	X.X°	±3°	APPD: 核准:	XIE	PART NO: 产品编号: HDGC2005HB-N-2xXP-J			
X.XX	±0.30	X.XX°	±2°	CHECK: 校对:	WANG	DATE	SCALE	UNIT	CODE NUMBER
X.XXX	±0.10	X.XXX°	±1°	DRAW: 绘图:	WANG	2013-03-22	4:1	mm	A008

修订 REV	标记 MARK	修改摘要 REVISION DESCRIPTION	签名 SIGNATURE	日期 DATE
A0		NEW RELEASE	WANG	2013-03-22



**SPECIFICATIONS:**

Current Rating: 2A AC,DC  
Voltage Rating: 250V AC,DC  
Temperature Range: -25°C ~ +85°C  
Contact Resistance: 20mΩ Max.  
Insulation Resistance: 1000MΩ Min.  
Withstanding Voltage: 500V AC/minute  
Material: Nylon 66 +25%GF, UL94V-0(Black)

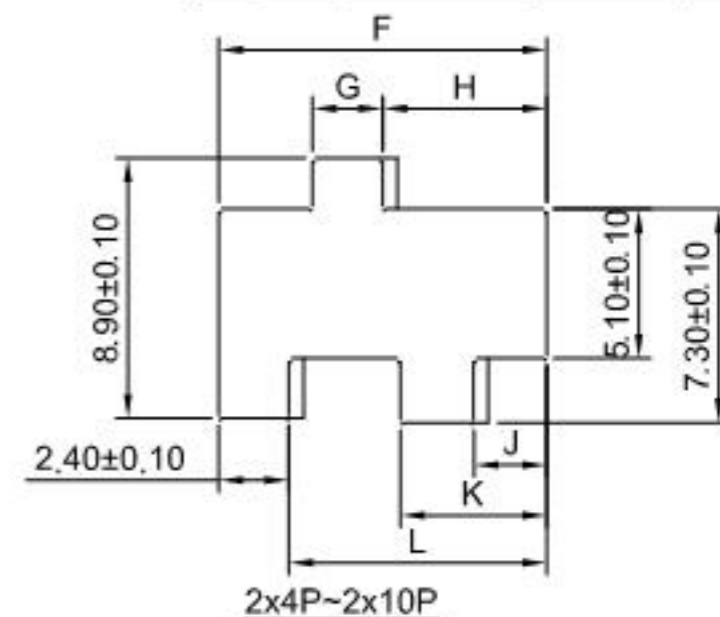
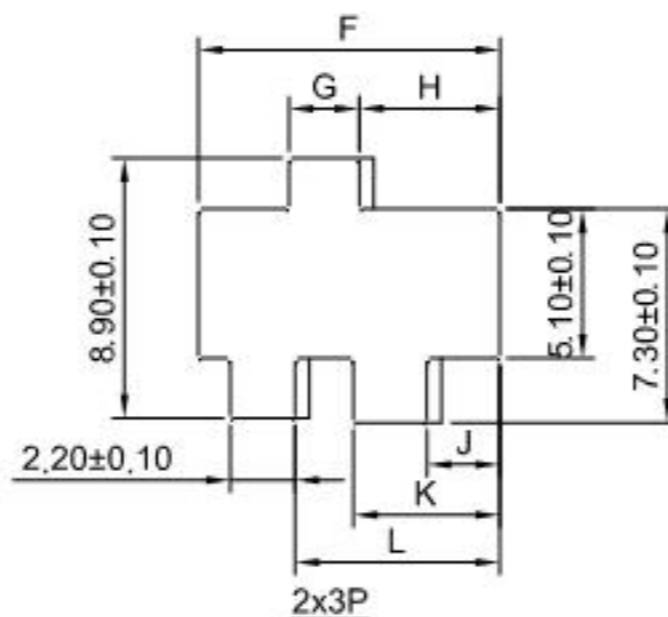
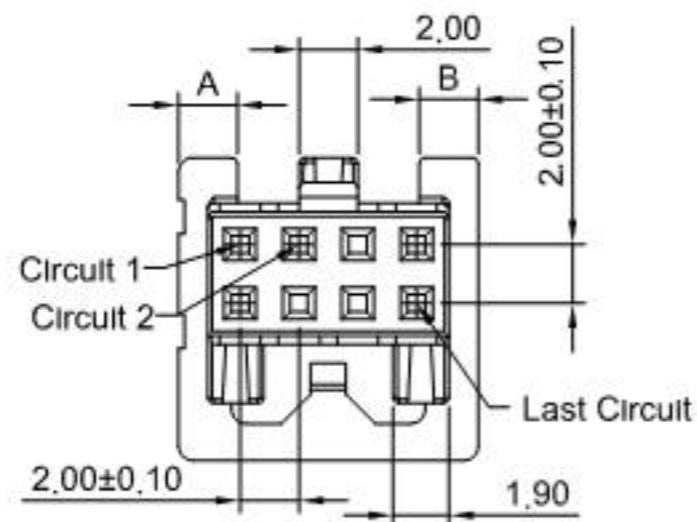
**Ordering Information & Dimensions**

Circuits	Dimensions(mm)		Circuits	Dimensions(mm)	
	A	B		A	B
2x2P	2.00	4.35	2x5P	8.00	10.35
2x3P	4.00	6.35	2x6P	10.00	12.35
2x4P	6.00	8.35			

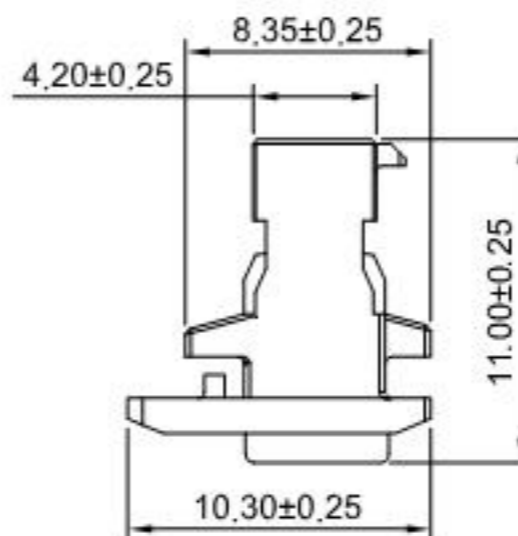
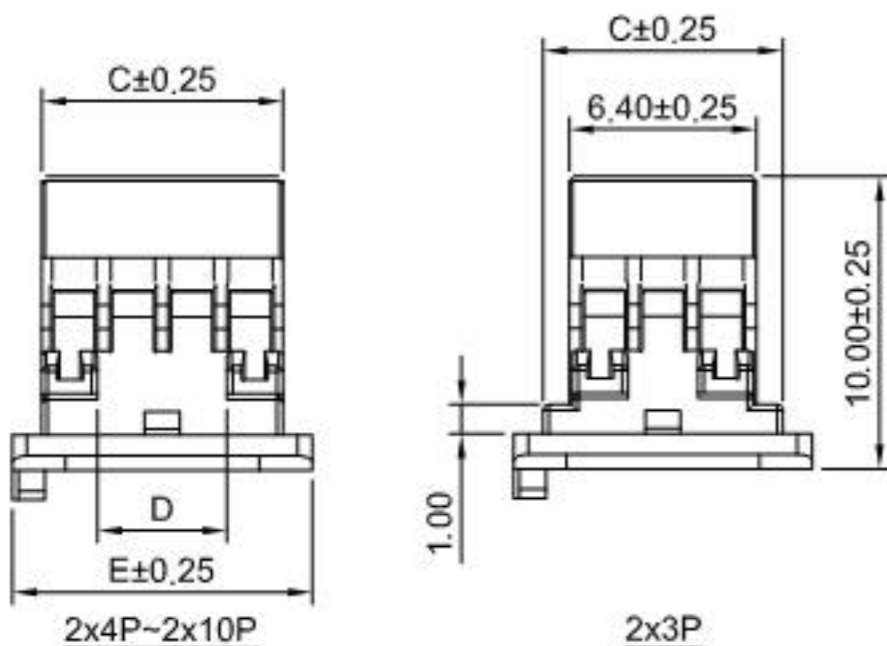
**HDGC** 深圳市华德共创科技有限公司  
Shenzhen Huade co-create Technology Co., LTD  
TEL: 0755-27129737 FAX: 0755-29940187

-TOLERANCES- UNLESS OTHERWISE SPECIFIED 公差参数表						TITLE: 2.00mm Pitch Housing 产品名称: Housing			
X.X	±0.30	X.X°	±3°	APPD: 核准:	XIE	PART NO: 产品编号: HDGC2005HB-N-2xXP-F			
X.XX	±0.30	X.XX°	±2°	CHECK: 校对:	WANG	DATE	SCALE	UNIT	CODE NUMBER
X.XXX	±0.10	X.XXX°	±1°	DRAW: 绘图:	WANG	2013-03-22	6:1	mm	A008

修订 REV	标记 MARK	修改摘要 REVISION DESCRIPTION	签名 SIGNATURE	日期 DATE
A0		NEW RELEASE	WANG	2015-06-16



panel hole layout



**SPECIFICATIONS:**

Current Rating: 2A AC,DC  
Voltage Rating: 250V AC,DC  
Temperature Range: -25°C ~ +85°C  
Contact Resistance: 20mΩ Max.  
Insulation Resistance: 1000MΩ Min.  
Withstanding Voltage: 500V AC/minute  
Material: PBT,UL94V-0(Black)

**Ordering Information & Dimensions**

Circuits	Dimensions(mm)										
	A	B	C	D	E	F	G	H	J	K	L
2x3P	2.00	2.00	8.20	2.40	10.20	10.30	2.40	4.80	2.50	5.00	7.00
2x4P	2.00	2.00	8.20	4.40	10.20	11.20	2.40	5.60	2.50	5.00	8.80
2x5P	3.00	3.00	10.40	6.40	12.20	13.30	2.60	6.70	2.60	6.10	10.90
2x6P	4.00	4.00	12.40	8.40	14.20	15.30	2.60	7.70	2.60	7.10	12.90
2x7P	5.00	5.00	14.60	10.40	16.20	17.30	2.60	8.70	2.60	8.10	14.90
2x8P	6.00	6.00	16.40	12.40	18.20	19.30	2.60	9.70	2.60	9.10	16.90
2x9P	7.00	7.00	18.40	14.40	20.20	21.30	2.60	10.70	2.60	10.10	18.90
2x10P	8.00	8.00	20.40	16.40	22.20	23.30	2.60	11.70	2.60	11.10	20.90



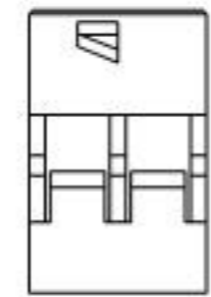
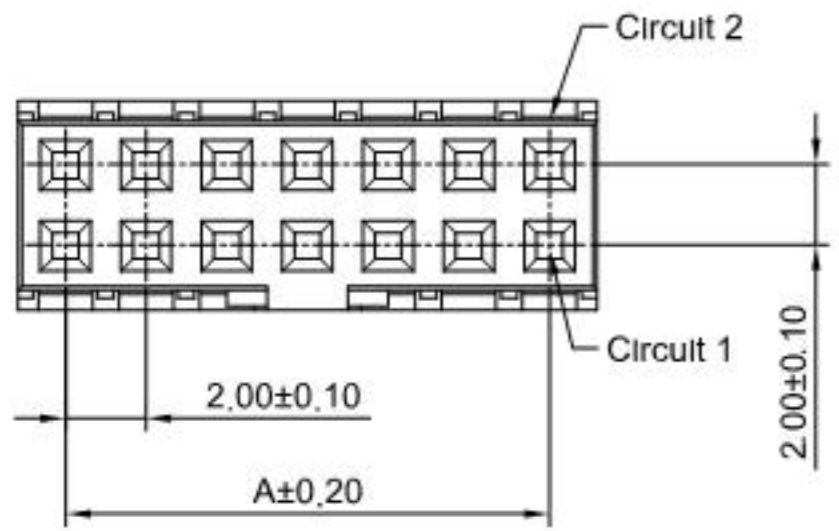
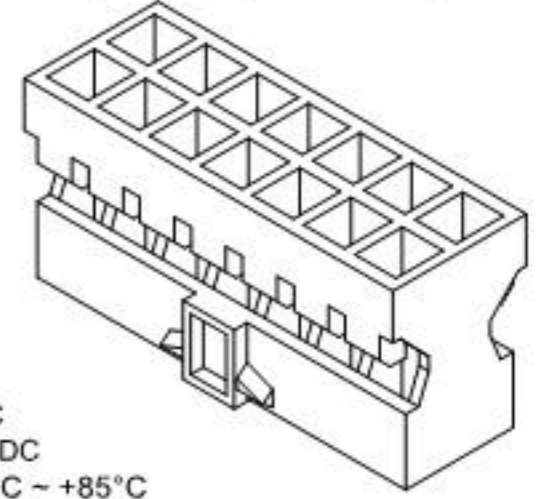
深圳市华德共创科技有限公司

Shenzhen Huade co-create Technology Co., LTD

TEL: 0755-27129737 FAX: 0755-29940187

-TOLERANCES- UNLESS OTHERWISE SPECIFIED 公差参数表		TITLE: 产品名称: 2.00mm Pitch Housing	
X.X	±0.30	X.X°	±3°
X.XX	±0.30	X.XX°	±2°
X.XXX	±0.10	X.XXX°	±1°
APPD: 核准:	XIE	PART NO: 产品编号:	HDGC2005HB-N-2xXP-G
CHECK: 校对:	WANG	DATE	SCALE
DRAW: 绘图:	WANG	2015-06-16	3:1
		UNIT	mm
		CODE NUMBER	A008

修订 REV	标记 MARK	修改摘要 REVISION DESCRIPTION	签名 SIGNATURE	日期 DATE
A0		NEW RELEASE	WANG	2013-03-22



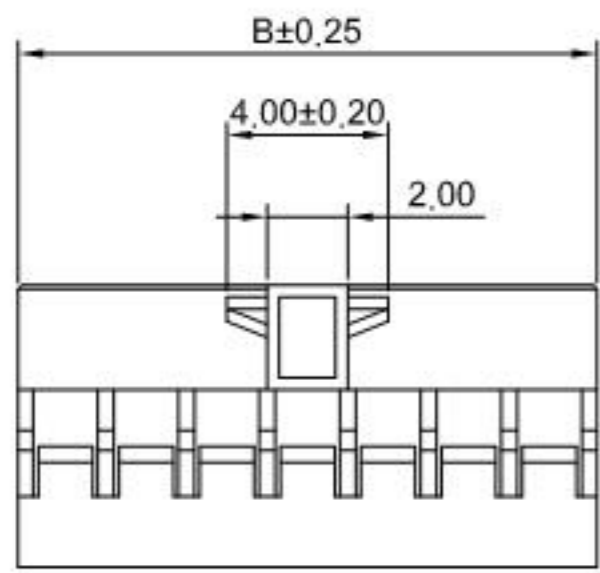
2x2P

**SPECIFICATIONS:**

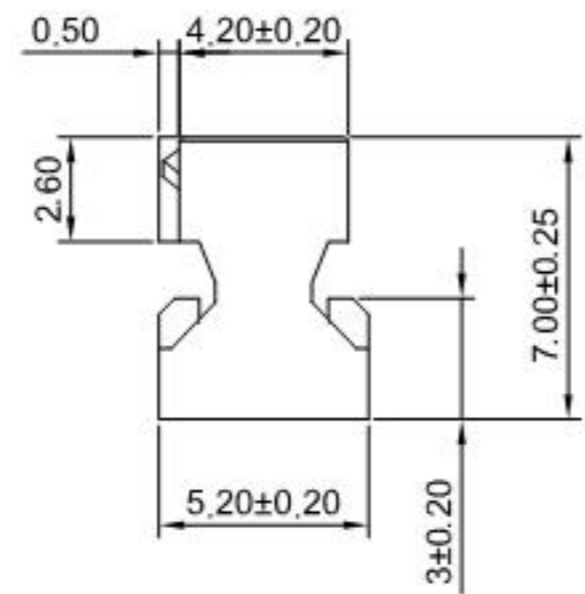
Current Rating: 2A AC,DC  
Voltage Rating: 250V AC,DC  
Temperature Range: -25°C ~ +85°C  
Contact Resistance: 20mΩ Max.  
Insulation Resistance: 1000MΩ Min.  
Withstanding Voltage: 500V AC/minute  
Material: Nylon 66 +25%GF, UL94V-0(Black)

**Ordering Information & Dimensions**

Circuits	Dimensions(mm)		Circuits	Dimensions(mm)	
	A	B		A	B
2x2P	2.00	4.35	2x14P	26.00	28.35
2x3P	4.00	6.35	2x15P	28.00	30.35
2x4P	6.00	8.35	2x16P	30.00	32.35
2x5P	8.00	10.35	2x17P	32.00	34.35
2x6P	10.00	12.35	2x18P	34.00	36.35
2x7P	12.00	14.35	2x19P	36.00	38.35
2x8P	14.00	16.35	2x20P	38.00	40.35
2x9P	16.00	18.35	2x21P	40.00	42.35
2x10P	18.00	20.35	2x22P	42.00	44.35
2x11P	20.00	22.35	2x23P	44.00	46.35
2x12P	22.00	24.35	2x24P	46.00	48.35
2x13P	24.00	26.35	2x25P	48.00	50.35



2x3P~2x25P



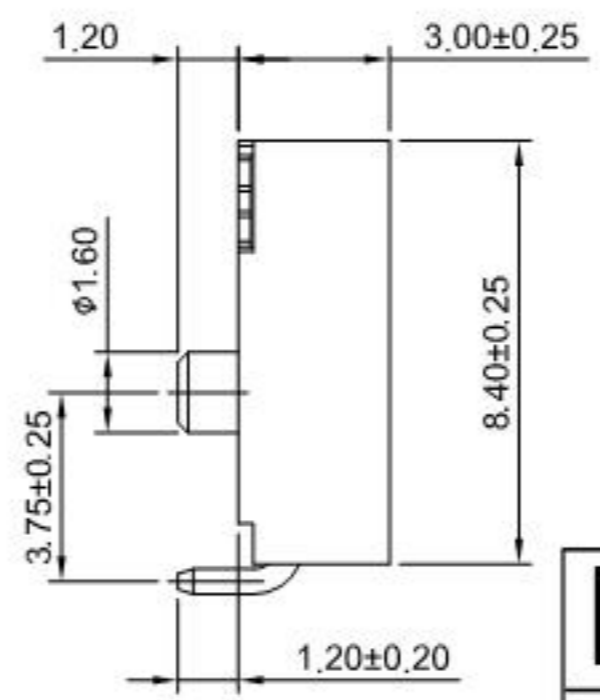
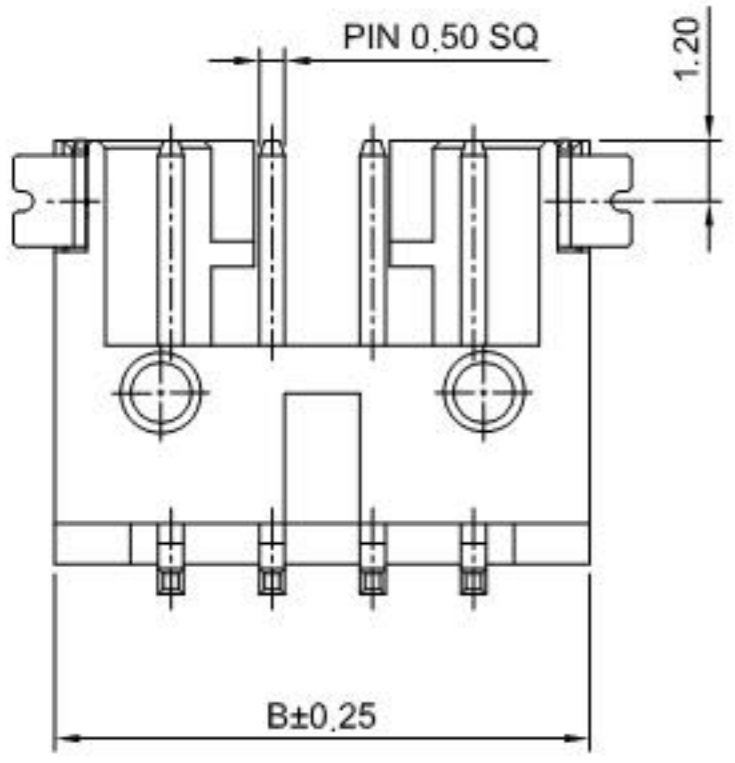
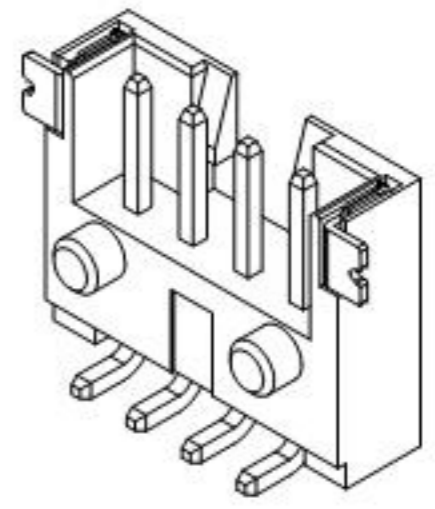
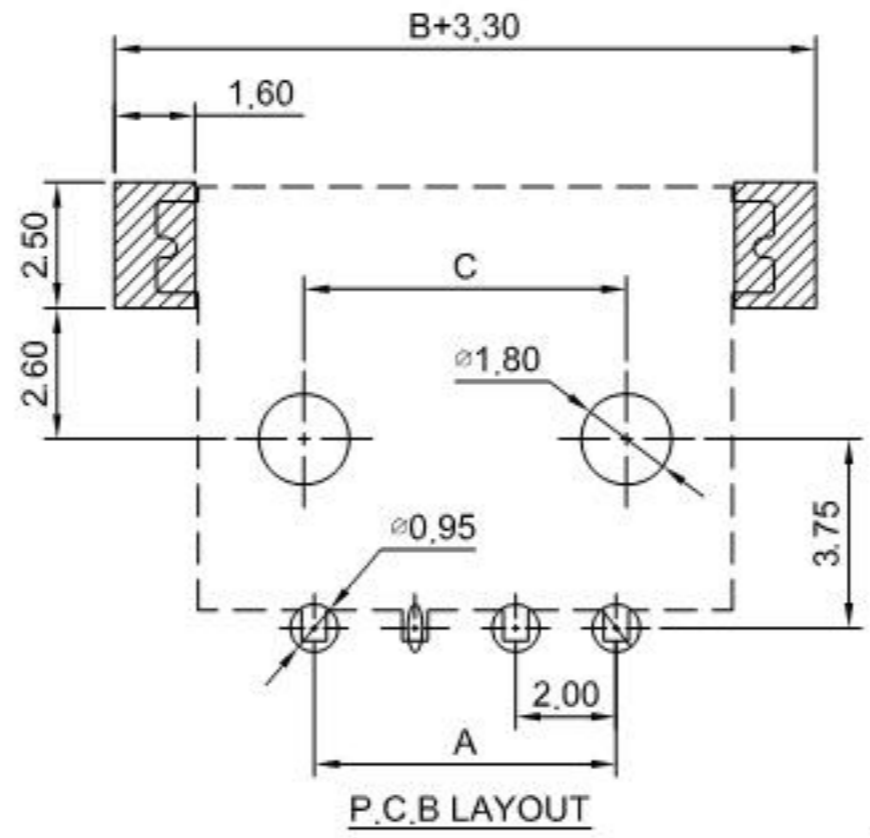
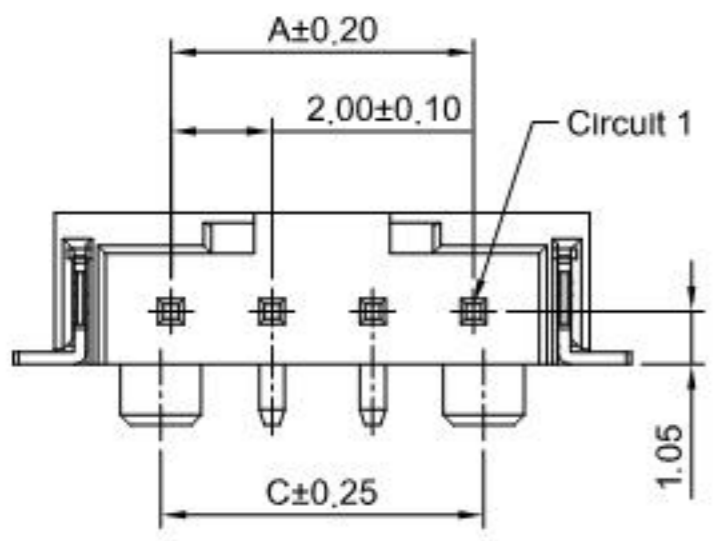
深圳市华德共创科技有限公司

Shenzhen Huade co-create Technology Co., LTD

TEL: 0755-27129737 FAX: 0755-29940187

-TOLERANCES- UNLESS OTHERWISE SPECIFIED 公差参数表				TITLE: 2.00mm Pitch 产品名称: Housing	
X.X	±0.30	X.X°	±3°	APPD: 核准:	XIE
X.XX	±0.30	X.XX°	±2°	CHECK: 校对:	WANG
X.XXX	±0.10	X.XXX°	±1°	DRAW: 绘图:	WANG
PART NO: 产品编号:		HDGC2005HB-N-2xXP-FI			
DATE	SCALE	UNIT	CODE NUMBER		
2013-03-22	4:1	mm	A008		

修订 REV	标记 MARK	修改摘要 REVISION DESCRIPTION	签名 SIGNATURE	日期 DATE
A0		NEW RELEASE	WANG	2017-06-20



**SPECIFICATIONS:**

Current Rating: 2A AC,DC  
Voltage Rating: 250V AC,DC  
Temperature Range: -25°C ~ +85°C  
Contact Resistance: 20mΩ Max.  
Insulation Resistance: 1000MΩ Min.  
Withstanding Voltage: 500V AC/minute  
Pin Material: Brass/Gold over Nickel  
Material: LCP,UL94V-0(Beige)

**Ordering Information & Dimensions**

Circuits	Dimensions(mm)			Circuits	Dimensions(mm)		
	A	B	C		A	B	C
4P	6,00	10,60	6,40	8P	14,00	18,60	14,40
6P	10,00	14,60	10,40				

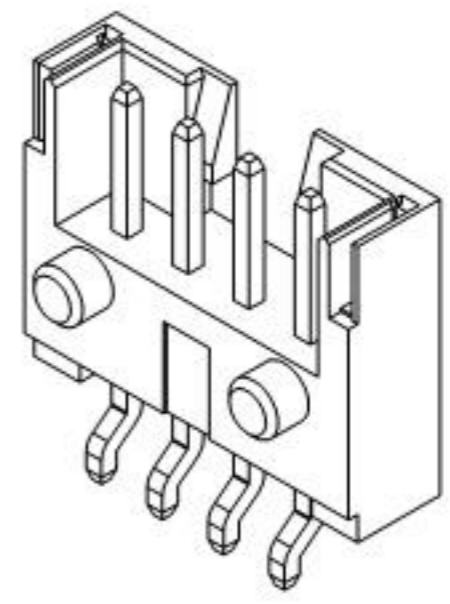
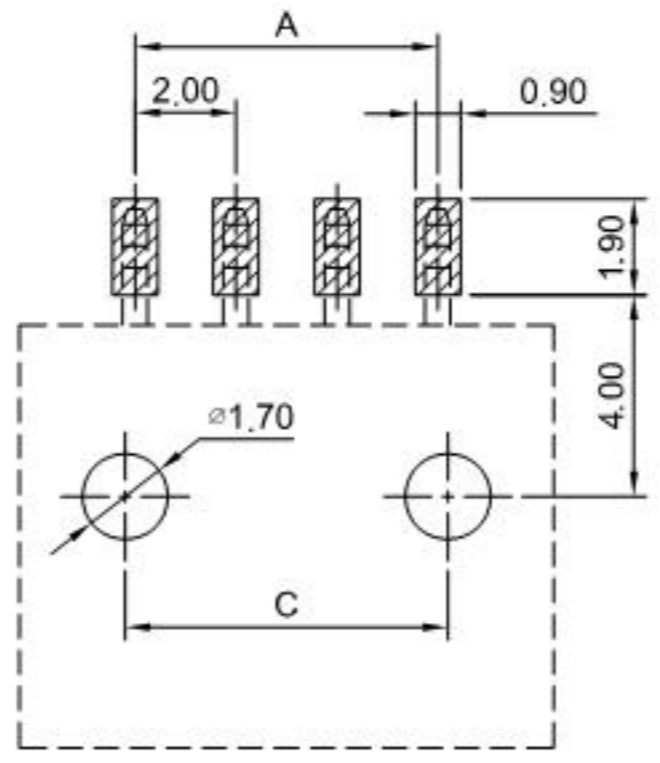
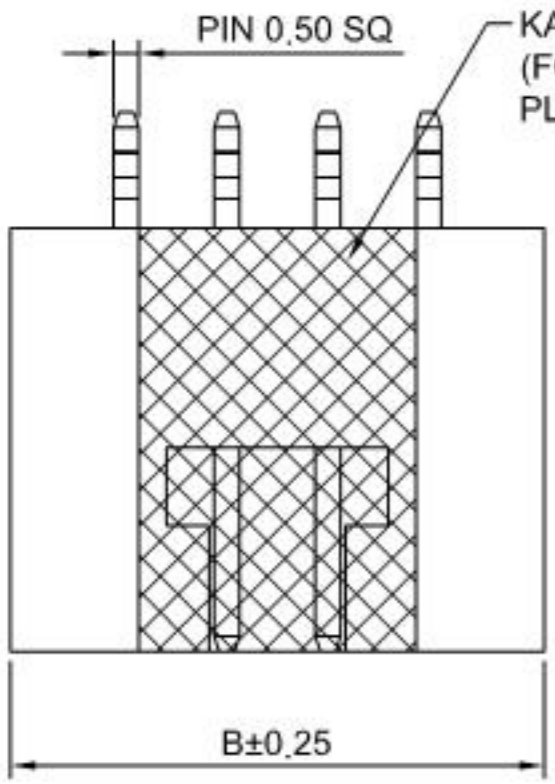


**深圳市华德共创科技有限公司**

Shenzhen Huade co-create Technology Co., LTD  
TEL: 0755-27129737 FAX: 0755-29940187

-TOLERANCES- UNLESS OTHERWISE SPECIFIED 公差参数表				TITLE: 产品名称: 2.00mm Pitch 90° Wafer	
X.X	±0.30	X.X°	±3°	APPD: 核准:	XIE
X.XX	±0.30	X.XX°	±2°	CHECK: 校对:	WANG
X.XXX	±0.10	X.XXX°	±1°	DRAW: 绘图:	WANG
PART NO: 产品编号:		HDGC2005WR-N-F-XP-F1		DATE	2017-06-20
SCALE		5:1		UNIT	mm
CODE NUMBER		A008			

修订 REV	标记 MARK	修改摘要 REVISION DESCRIPTION	签名 SIGNATURE	日期 DATE
A0		NEW RELEASE	WANG	2017-06-20



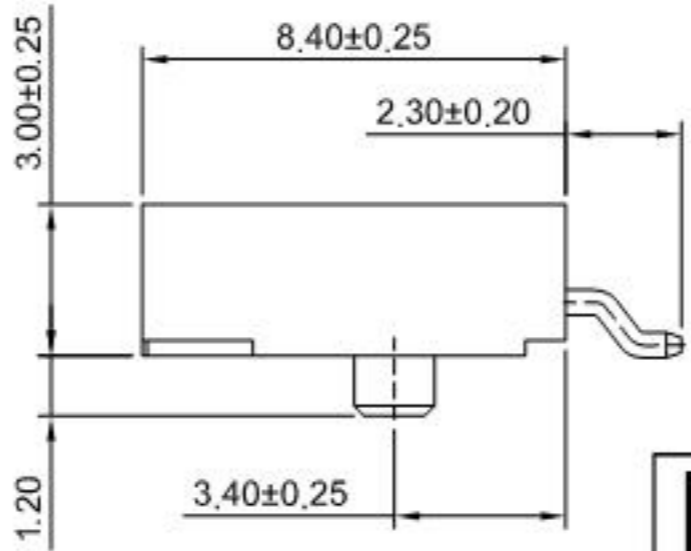
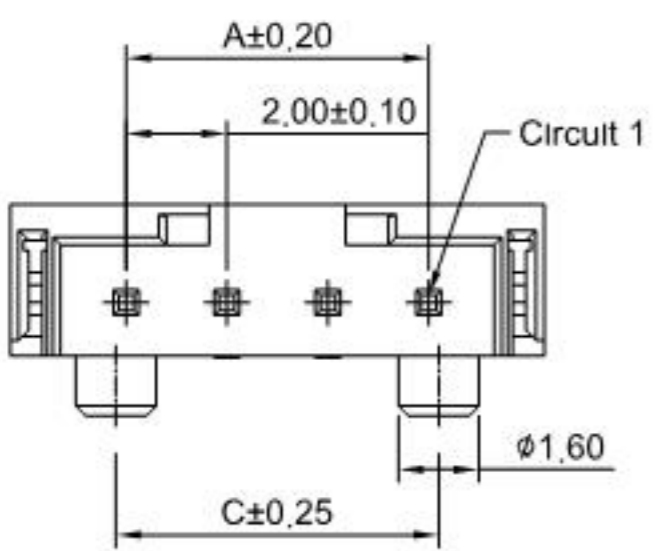
P.C.B LAYOUT

**SPECIFICATIONS:**

Current Rating: 2A AC,DC  
Voltage Rating: 250V AC,DC  
Temperature Range: -25°C ~ +85°C  
Contact Resistance: 20mΩ Max.  
Insulation Resistance: 1000MΩ Min.  
Withstanding Voltage: 500V AC/minute  
Pin Material: Brass/Gold over Nickel  
Material: LCP,UL94V-0(Beige)

**Ordering Information & Dimensions**

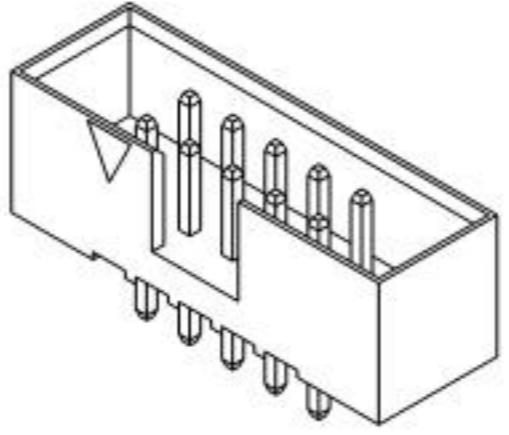
Circuits	Dimensions(mm)			Circuits	Dimensions(mm)		
	A	B	C		A	B	C
4P	6.00	10.60	6.40	8P	14.00	18.60	14.40
6P	10.00	14.60	10.40				



**HDGC** 深圳市华德共创科技有限公司  
Shenzhen Huade co-create Technology Co., LTD  
TEL: 0755-27129737 FAX: 0755-29940187

-TOLERANCES- UNLESS OTHERWISE SPECIFIED 公差参数表				TITLE: 2.00mm Pitch 产品名称: 90° Wafer	
X.X	±0.30	X.X°	±3°	APPD: 核准:	XIE
X.XX	±0.30	X.XX°	±2°	CHECK: 校对:	WANG
X.XXX	±0.10	X.XXX°	±1°	DRAW: 绘图:	WANG
PART NO: 产品编号:		DATE		SCALE	UNIT
HDGC2005WR-N-S-F-XP-FI		2017-06-20		5:1	mm
CODE NUMBER		A008			

修订 REV	标记 MARK	修改摘要 REVISION DESCRIPTION	签名 SIGNATURE	日期 DATE
A0		NEW RELEASE	WANG	2017-06-20

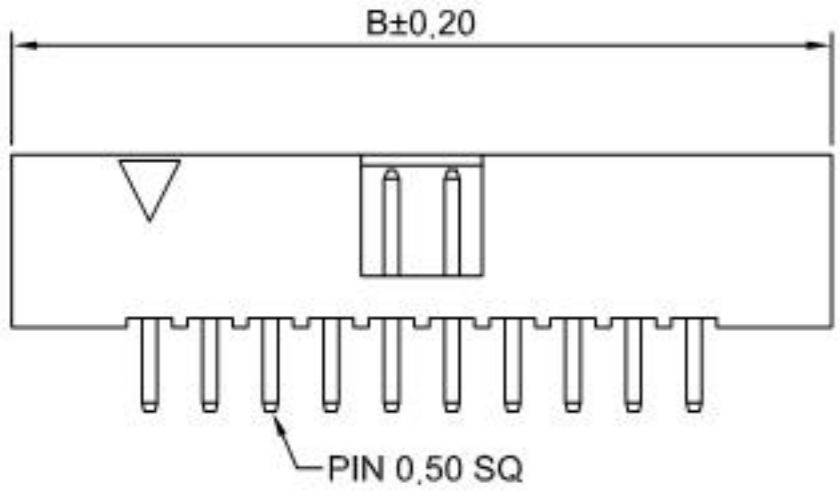
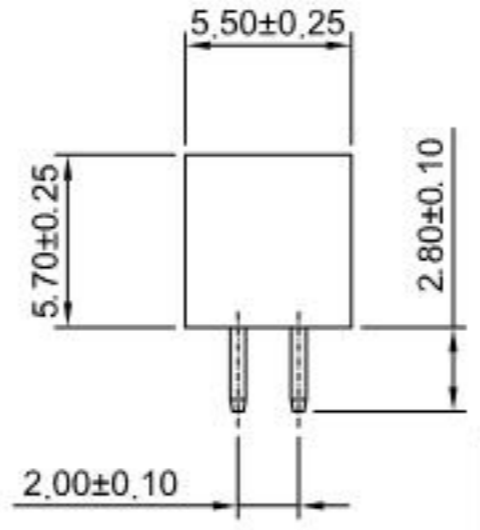
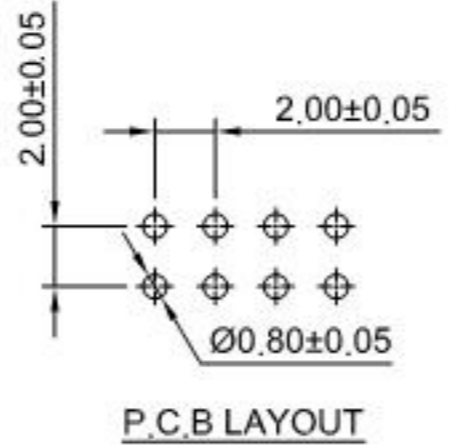
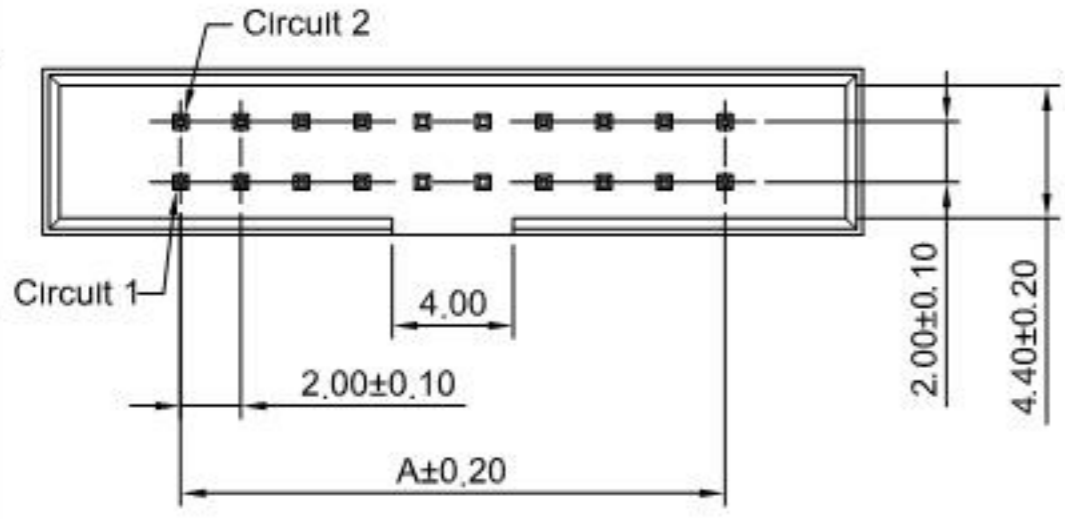


**SPECIFICATIONS:**

Current Rating: 2A AC,DC  
Voltage Rating: 250V AC,DC  
Temperature Range: -25°C ~ +85°C  
Contact Resistance: 20mΩ Max.  
Insulation Resistance: 1000MΩ Min.  
Withstanding Voltage: 500V AC/minute  
Pin Material: Brass/Gold over Nickel  
Material: PBT,UL94V-0(Black)

**Ordering Information & Dimensions**

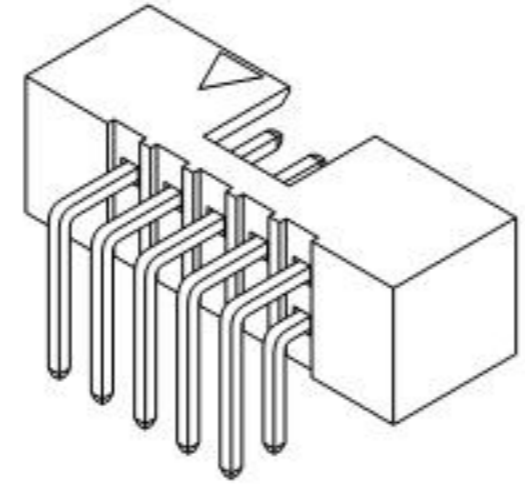
Circuits	Dimensions(mm)		Circuits	Dimensions(mm)	
	A	B		A	B
2x4P	6.00	15.30	2x20P	38.00	47.30
2x5P	8.00	17.30	2x21P	40.00	49.30
2x6P	10.00	19.30	2x22P	42.00	51.30
2x7P	12.00	21.30	2x23P	44.00	53.30
2x8P	14.00	23.30	2x24P	46.00	55.30
2x9P	16.00	25.30	2x25P	48.00	57.30
2x10P	18.00	27.30	2x26P	50.00	59.30
2x11P	20.00	29.30	2x27P	52.00	61.30
2x12P	22.00	31.30	2x28P	54.00	63.30
2x13P	24.00	33.30	2x29P	56.00	65.30
2x14P	26.00	35.30	2x30P	58.00	67.30
2x15P	28.00	37.30	2x31P	60.00	69.30
2x16P	30.00	39.30	2x32P	62.00	71.30
2x17P	32.00	41.30	2x33P	64.00	73.30
2x18P	34.00	43.30	2x34P	66.00	75.30
2x19P	36.00	45.30			



**HDGC** 深圳市华德共创科技有限公司  
Shenzhen Huade co-create Technology Co., LTD  
TEL: 0755-27129737 FAX: 0755-29940187

-TOLERANCES- UNLESS OTHERWISE SPECIFIED 公差参数表				TITLE: 2.00mm Pitch 产品名称: 180° Box Header	
X.X	±0.30	X.X°	±3°	APPD: 核准:	XIE
X.XX	±0.30	X.XX°	±2°	CHECK: 校对:	WANG
X.XXX	±0.10	X.XXX°	±1°	DRAW: 绘图:	WANG
PART NO: 产品编号:			HDGC2005WV-N-2xXP		
DATE	SCALE	UNIT	CODE NUMBER		
2017-06-20	3:1	mm	A008		

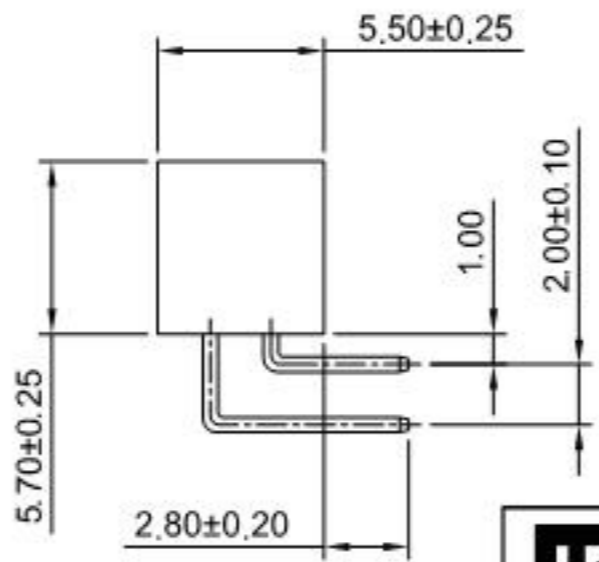
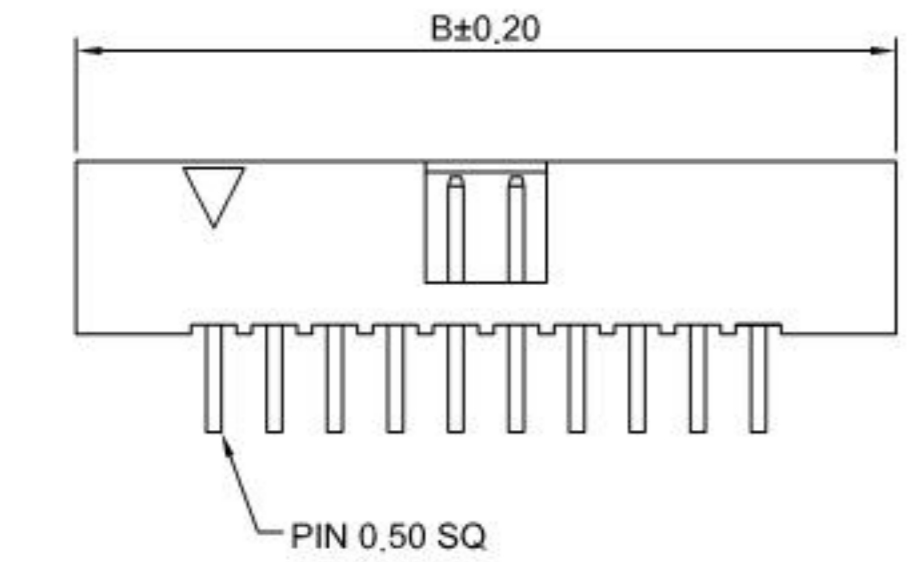
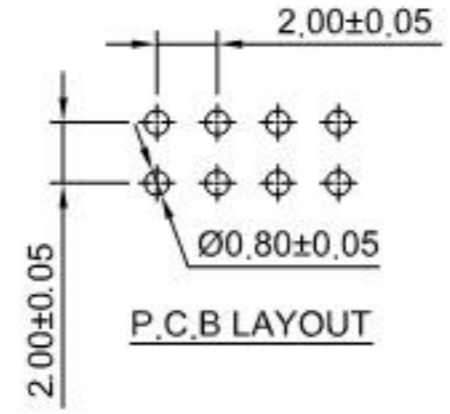
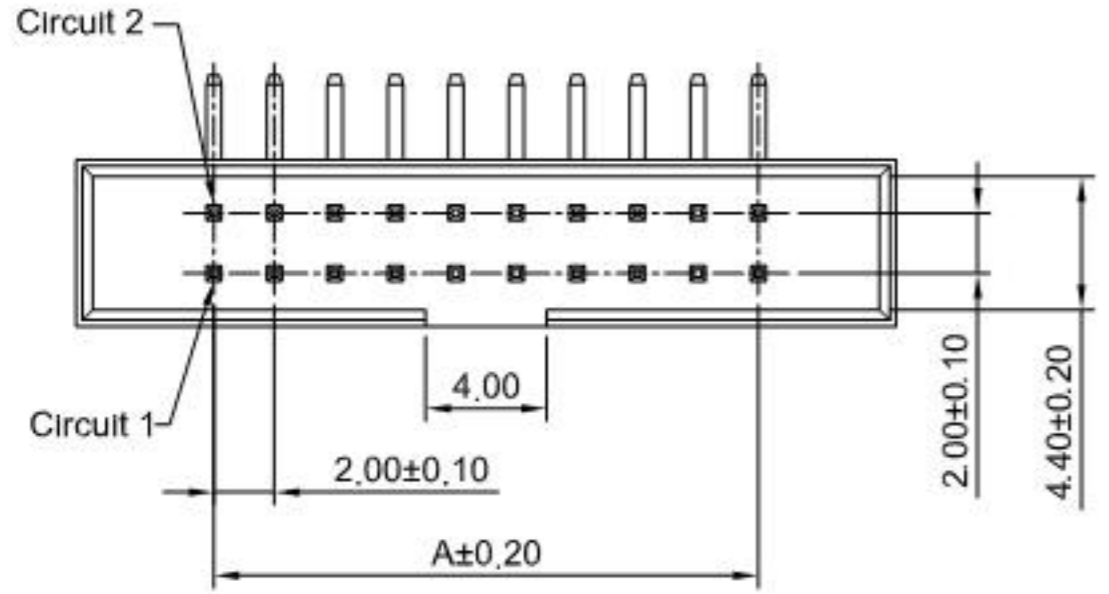
修订 REV	标记 MARK	修改摘要 REVISION DESCRIPTION	签名 SIGNATURE	日期 DATE
A0		NEW RELEASE	WANG	2017-06-20



**SPECIFICATIONS:**  
 Current Rating: 2A AC,DC  
 Voltage Rating: 250V AC,DC  
 Temperature Range: -25°C ~ +85°C  
 Contact Resistance: 20mΩ Max.  
 Insulation Resistance: 1000MΩ Min.  
 Withstanding Voltage: 500V AC/minute  
 Pin Material: Brass/Gold over Nickel  
 Material: PBT,UL94V-0(Black)

**Ordering Information & Dimensions**

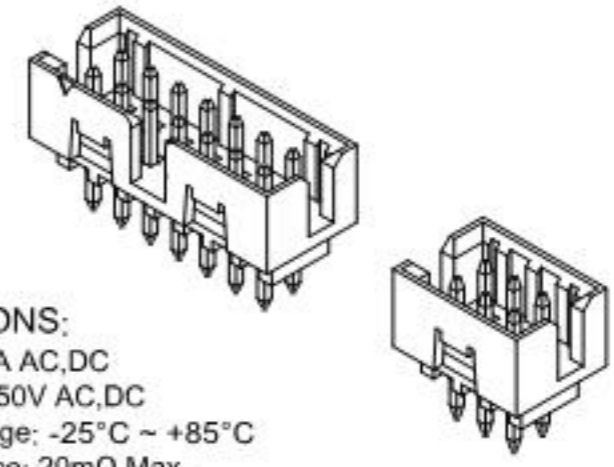
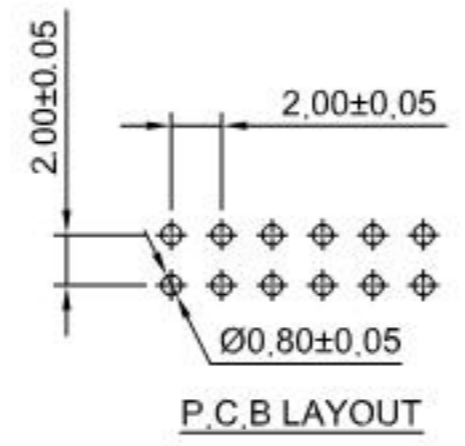
Circuits	Dimensions(mm)		Circuits	Dimensions(mm)	
	A	B		A	B
2x4P	6.00	15.30	2x20P	38.00	47.30
2x5P	8.00	17.30	2x21P	40.00	49.30
2x6P	10.00	19.30	2x22P	42.00	51.30
2x7P	12.00	21.30	2x23P	44.00	53.30
2x8P	14.00	23.30	2x24P	46.00	55.30
2x9P	16.00	25.30	2x25P	48.00	57.30
2x10P	18.00	27.30	2x26P	50.00	59.30
2x11P	20.00	29.30	2x27P	52.00	61.30
2x12P	22.00	31.30	2x28P	54.00	63.30
2x13P	24.00	33.30	2x29P	56.00	65.30
2x14P	26.00	35.30	2x30P	58.00	67.30
2x15P	28.00	37.30	2x31P	60.00	69.30
2x16P	30.00	39.30	2x32P	62.00	71.30
2x17P	32.00	41.30	2x33P	64.00	73.30
2x18P	34.00	43.30	2x34P	66.00	75.30
2x19P	36.00	45.30			



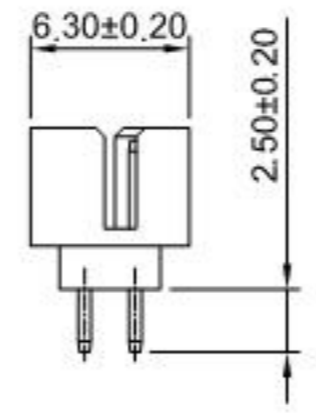
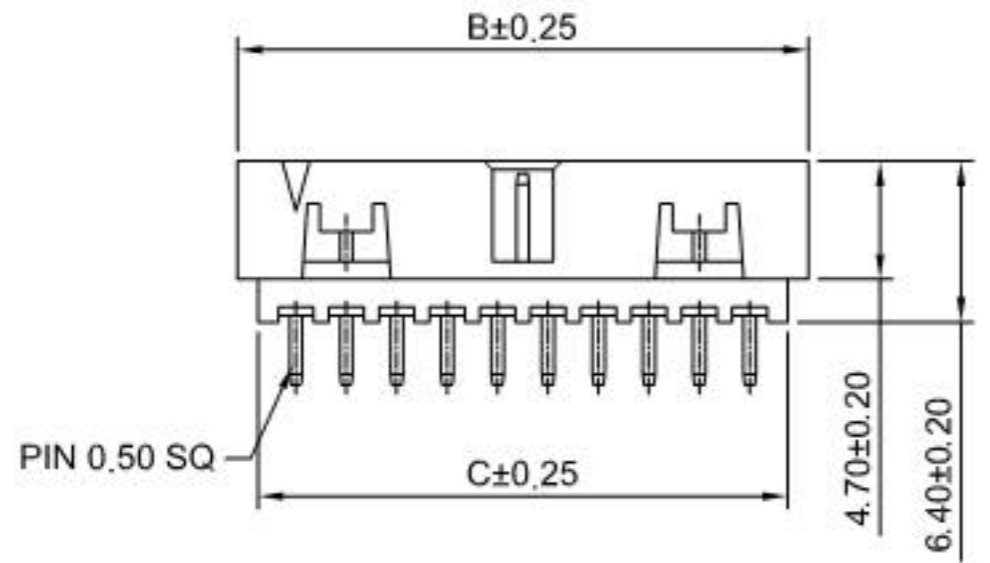
**深圳市华德共创科技有限公司**  
 Shenzhen Huade co-create Technology Co., LTD  
 TEL: 0755-27129737 FAX: 0755-29940187

-TOLERANCES- UNLESS OTHERWISE SPECIFIED 公差参数表						TITLE: 2.00mm Pitch 产品名称: 90° Box Header			
X.X	±0.30	X.X°	±3°	APPD: 核准:	XIE	PART NO: 产品编号: HDGC2005WR-N-2xXP			
X.XX	±0.30	X.XX°	±2°	CHECK: 校对:	WANG	DATE	SCALE	UNIT	CODE NUMBER
X.XXX	±0.10	X.XXX°	±1°	DRAW: 绘图:	WANG	2017-06-20	3:1	mm	A008

修订 REV	标记 MARK	修改摘要 REVISION DESCRIPTION	签名 SIGNATURE	日期 DATE
A0		NEW RELEASE	WANG	2017-06-20

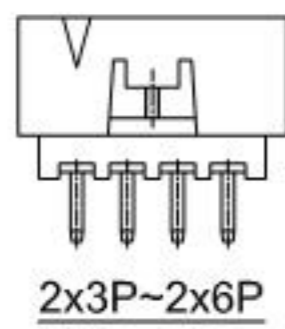
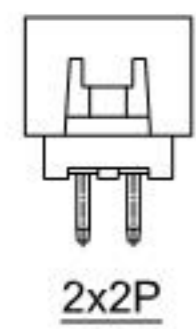


**SPECIFICATIONS:**  
 Current Rating: 2A AC,DC  
 Voltage Rating: 250V AC,DC  
 Temperature Range: -25°C ~ +85°C  
 Contact Resistance: 20mΩ Max.  
 Insulation Resistance: 1000MΩ Min.  
 Withstanding Voltage: 500V AC/minute  
 Pin Material: Brass/Gold over Nickel  
 Material: Nylon 6T ,UL94V-0(Black)



**Ordering Information & Dimensions**

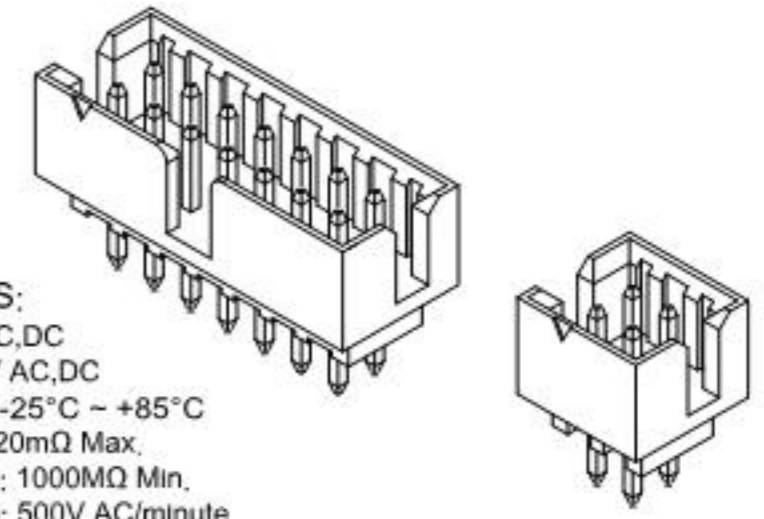
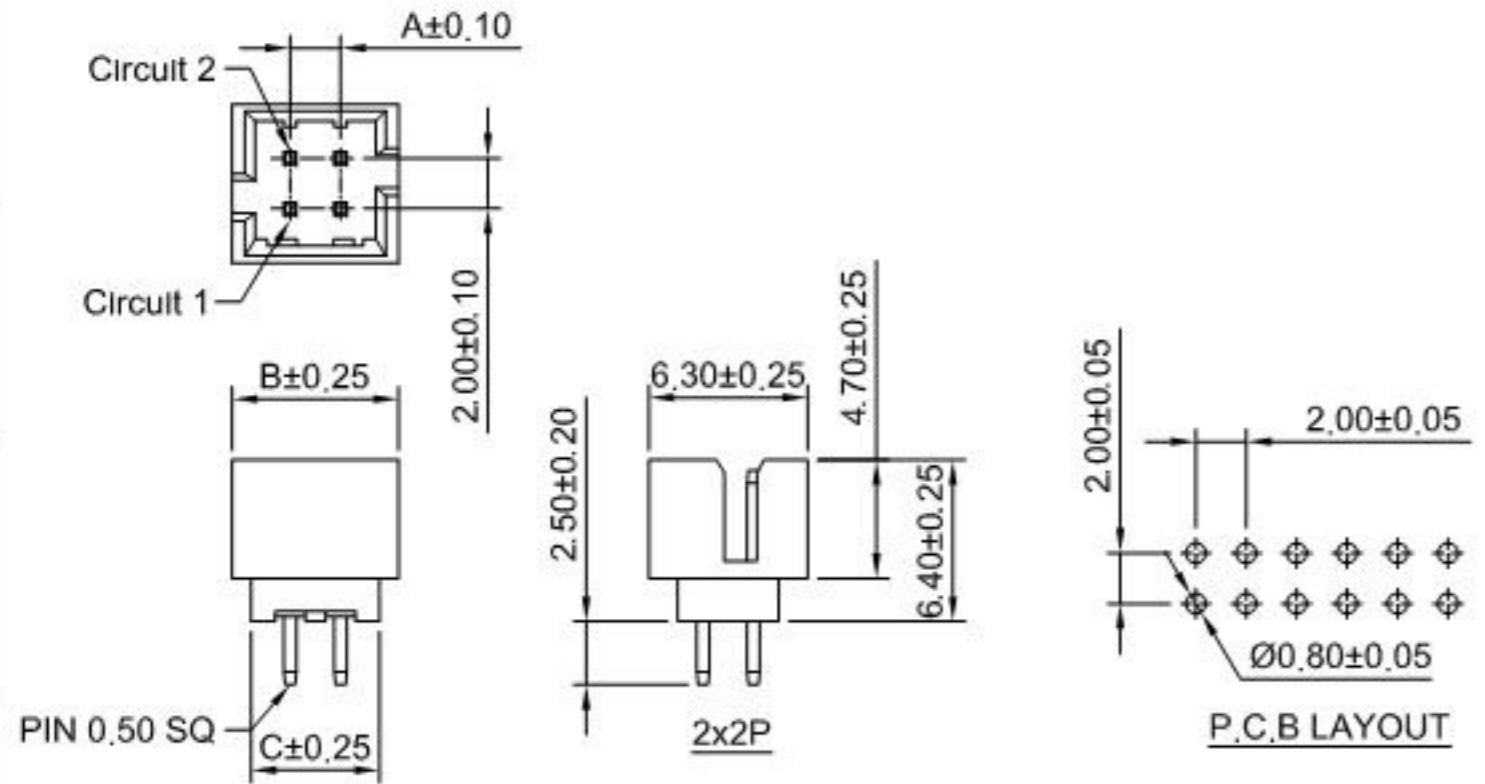
Circuits	Dimensions(mm)			Circuits	Dimensions(mm)		
	A	B	C		A	B	C
2x2P	2.00	6.65	5.00	2x14P	26.00	30.65	29.00
2x3P	4.00	8.65	7.00	2x15P	28.00	32.65	31.00
2x4P	6.00	10.65	9.00	2x16P	30.00	34.65	33.00
2x5P	8.00	12.65	11.00	2x17P	32.00	36.65	35.00
2x6P	10.00	14.65	13.00	2x18P	34.00	38.65	37.00
2x7P	12.00	16.65	15.00	2x19P	36.00	40.65	39.00
2x8P	14.00	18.65	17.00	2x20P	38.00	42.65	41.00
2x9P	16.00	20.65	19.00	2x21P	40.00	44.65	43.00
2x10P	18.00	22.65	21.00	2x22P	42.00	46.65	45.00
2x11P	20.00	24.65	23.00	2x23P	44.00	48.65	47.00
2x12P	22.00	26.65	25.00	2x24P	46.00	50.65	49.00
2x13P	24.00	28.65	27.00	2x25P	48.00	52.65	51.00



**HDGC** 深圳市华德共创科技有限公司  
 Shenzhen Huade co-create Technology Co., LTD  
 TEL: 0755-27129737 FAX: 0755-29940187

-TOLERANCES- UNLESS OTHERWISE SPECIFIED 公差参数表				TITLE: 2.00mm Pitch 产品名称: 180° Box Header	
X.X	±0.30	X.X°	±3°	APPD: 核准:	XIE
X.XX	±0.30	X.XX°	±2°	CHECK: 校对:	WANG
X.XXX	±0.10	X.XXX°	±1°	DRAW: 绘图:	WANG
PART NO: 产品编号:		HDGC2005WV-N-2xXP-A		DATE	2017-06-20
SCALE		2:1		UNIT	mm
CODE NUMBER		A008			

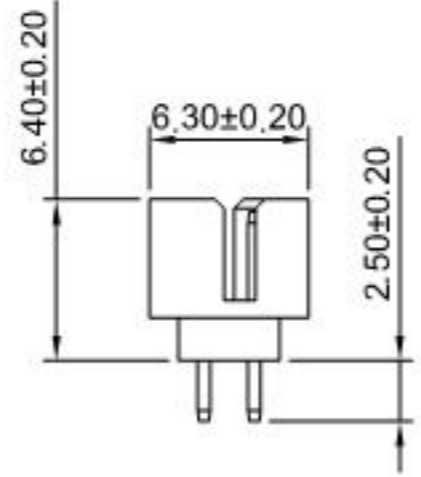
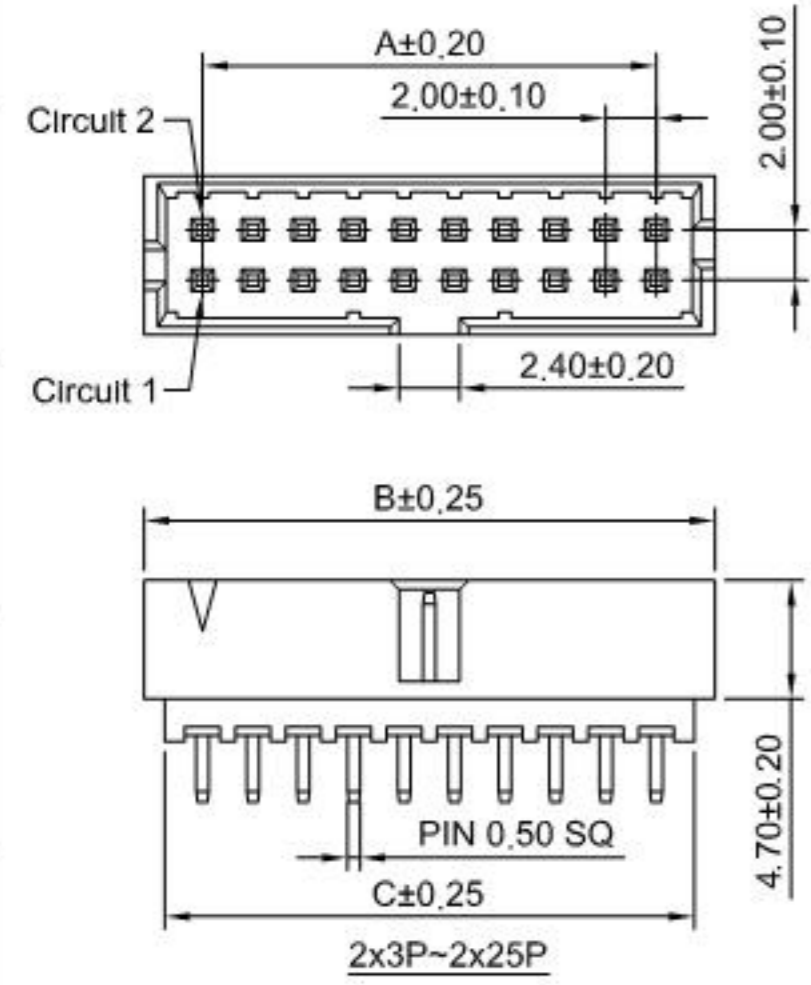
修订 REV	标记 MARK	修改摘要 REVISION DESCRIPTION	签名 SIGNATURE	日期 DATE
A0		NEW RELEASE	WANG	2017-06-20



**SPECIFICATIONS:**  
 Current Rating: 2A AC,DC  
 Voltage Rating: 250V AC,DC  
 Temperature Range: -25°C ~ +85°C  
 Contact Resistance: 20mΩ Max.  
 Insulation Resistance: 1000MΩ Min.  
 Withstanding Voltage: 500V AC/minute  
 Pin Material: Brass/Gold over Nickel  
 Material: Nylon 6T ,UL94V-0(Black)

**Ordering Information & Dimensions**

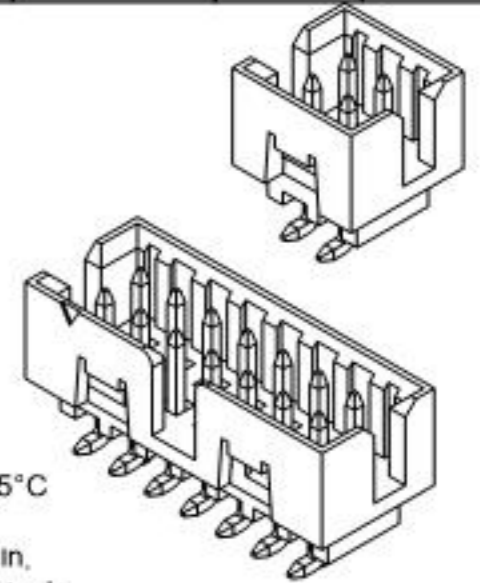
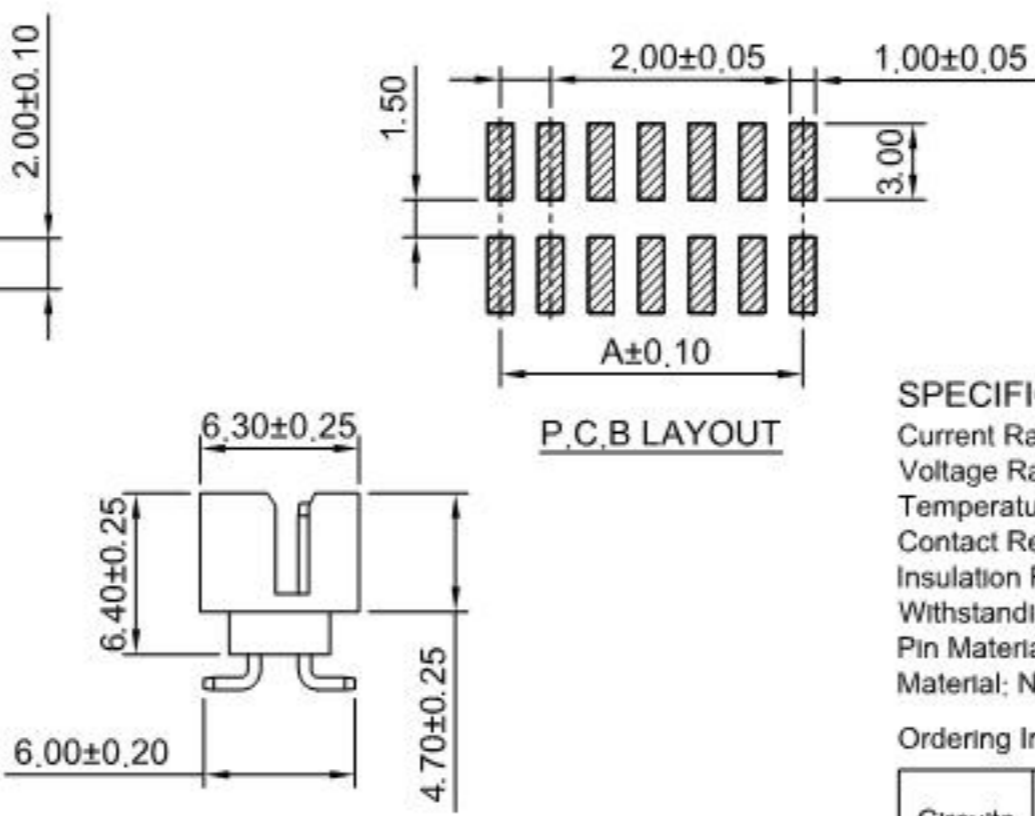
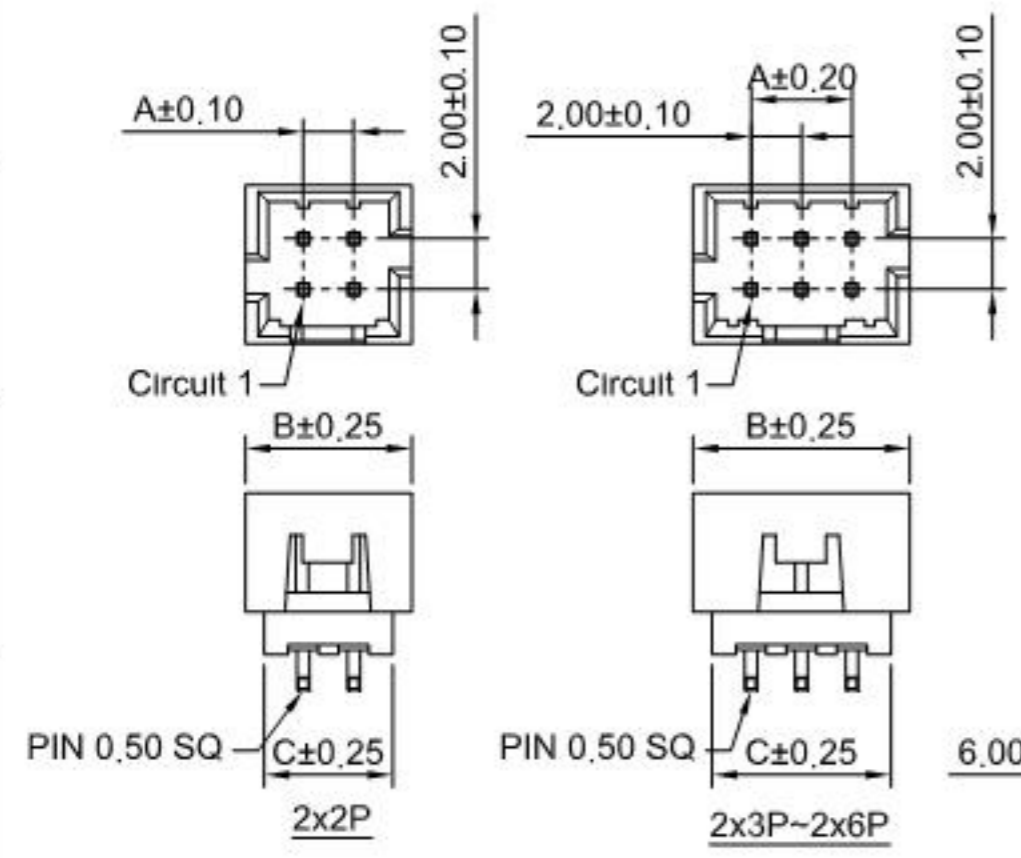
Circuits	Dimensions(mm)			Circuits	Dimensions(mm)		
	A	B	C		A	B	C
2x2P	2.00	6.65	5.00	2x14P	26.00	30.65	29.00
2x3P	4.00	8.65	7.00	2x15P	28.00	32.65	31.00
2x4P	6.00	10.65	9.00	2x16P	30.00	34.65	33.00
2x5P	8.00	12.65	11.00	2x17P	32.00	36.65	35.00
2x6P	10.00	14.65	13.00	2x18P	34.00	38.65	37.00
2x7P	12.00	16.65	15.00	2x19P	36.00	40.65	39.00
2x8P	14.00	18.65	17.00	2x20P	38.00	42.65	41.00
2x9P	16.00	20.65	19.00	2x21P	40.00	44.65	43.00
2x10P	18.00	22.65	21.00	2x22P	42.00	46.65	45.00
2x11P	20.00	24.65	23.00	2x23P	44.00	48.65	47.00
2x12P	22.00	26.65	25.00	2x24P	46.00	50.65	49.00
2x13P	24.00	28.65	27.00	2x25P	48.00	52.65	51.00



**HDGC** 深圳市华德共创科技有限公司  
 Shenzhen Huade co-create Technology Co., LTD  
 TEL: 0755-27129737 FAX: 0755-29940187

-TOLERANCES- UNLESS OTHERWISE SPECIFIED 公差参数表				TITLE: 2.00mm Pitch 产品名称: 180° Box Header	
X.X	±0.30	X.X°	±3°	APPD: 核准:	XIE
X.XX	±0.30	X.XX°	±2°	CHECK: 校对:	WANG
X.XXX	±0.10	X.XXX°	±1°	DRAW: 绘图:	WANG
PART NO: 产品编号:		HDGC2005WV-N-2xXP-B			
DATE	SCALE	UNIT	CODE NUMBER		
2017-06-20	2.5:1	mm	A008		

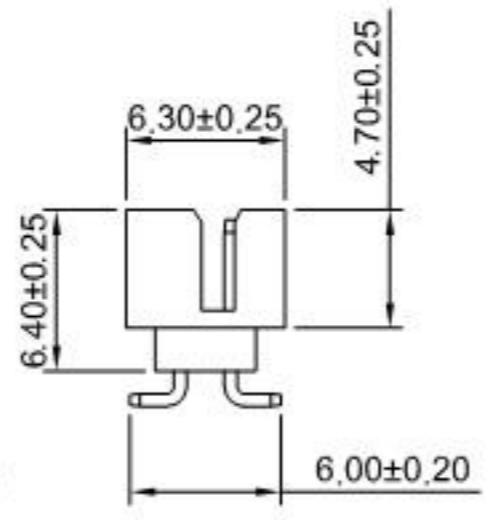
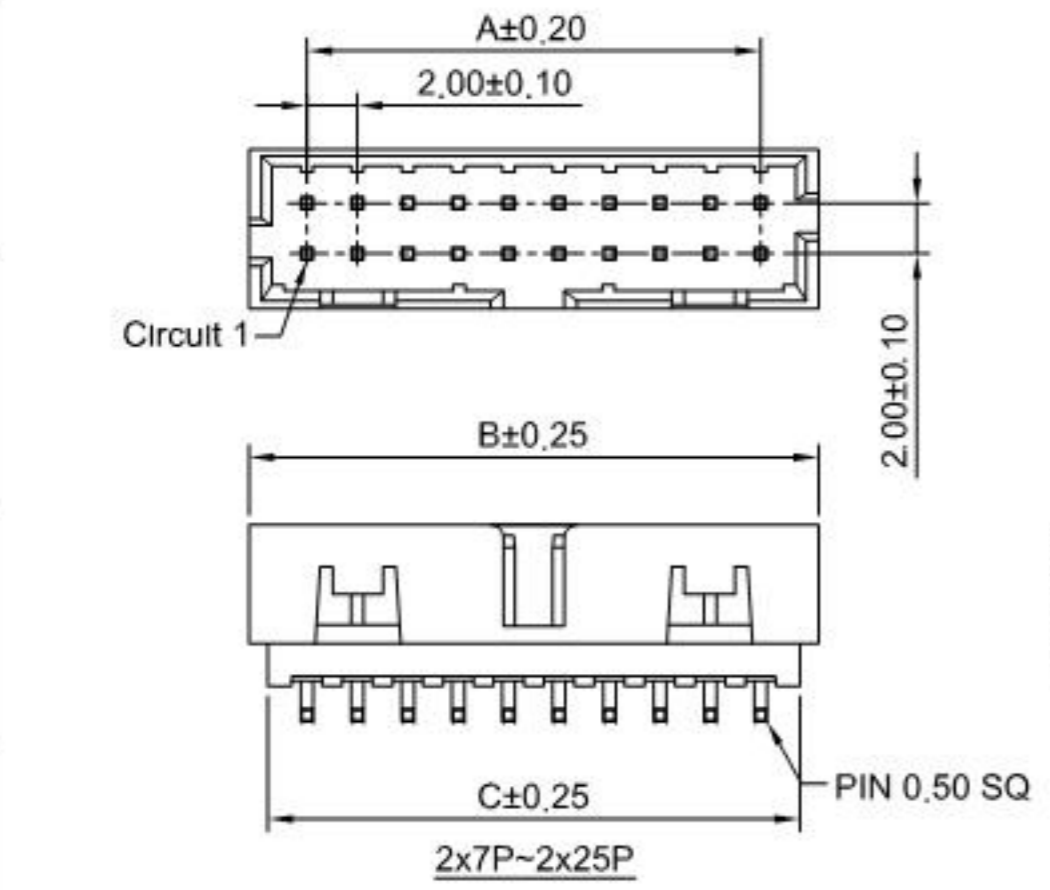
修订 REV	标记 MARK	修改摘要 REVISION DESCRIPTION	签名 SIGNATURE	日期 DATE
A0		NEW RELEASE	WANG	2017-06-20



**SPECIFICATIONS:**  
 Current Rating: 2A AC,DC  
 Voltage Rating: 250V AC,DC  
 Temperature Range: -25°C ~ +85°C  
 Contact Resistance: 20mΩ Max.  
 Insulation Resistance: 1000MΩ Min.  
 Withstanding Voltage: 500V AC/minute  
 Pin Material: Brass/Gold over Nickel  
 Material: Nylon 6T ,UL94V-0(Black)

**Ordering Information & Dimensions**

Circuits	Dimensions(mm)			Circuits	Dimensions(mm)		
	A	B	C		A	B	C
2x2P	2.00	6.65	5.00	2x14P	26.00	30.65	29.00
2x3P	4.00	8.65	7.00	2x15P	28.00	32.65	31.00
2x4P	6.00	10.65	9.00	2x16P	30.00	34.65	33.00
2x5P	8.00	12.65	11.00	2x17P	32.00	36.65	35.00
2x6P	10.00	14.65	13.00	2x18P	34.00	38.65	37.00
2x7P	12.00	16.65	15.00	2x19P	36.00	40.65	39.00
2x8P	14.00	18.65	17.00	2x20P	38.00	42.65	41.00
2x9P	16.00	20.65	19.00	2x21P	40.00	44.65	43.00
2x10P	18.00	22.65	21.00	2x22P	42.00	46.65	45.00
2x11P	20.00	24.65	23.00	2x23P	44.00	48.65	47.00
2x12P	22.00	26.65	25.00	2x24P	46.00	50.65	49.00
2x13P	24.00	28.65	27.00	2x25P	48.00	52.65	51.00





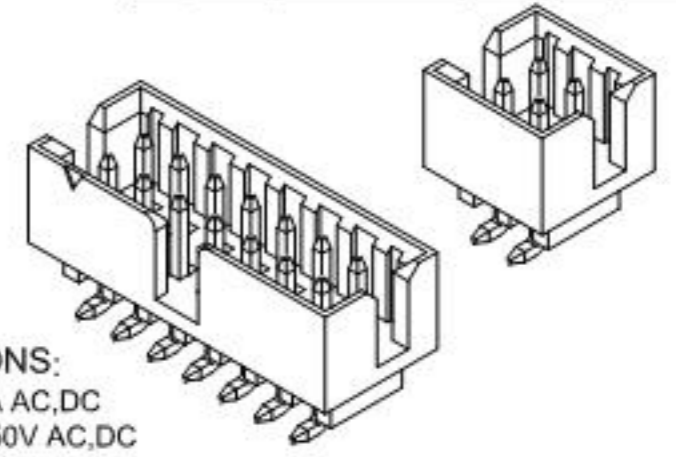
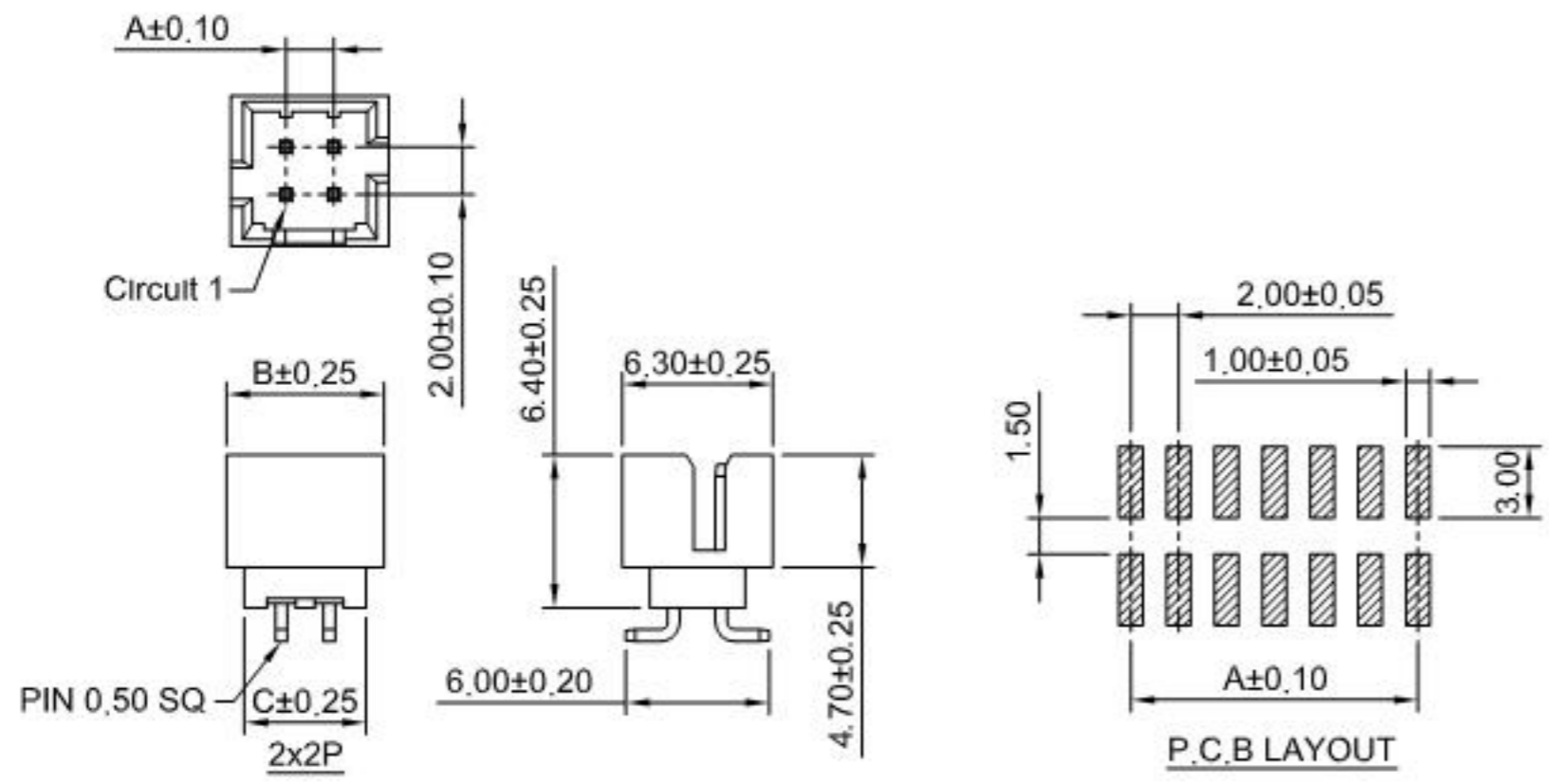
**深圳市华德共创科技有限公司**  
 Shenzhen Huade co-create Technology Co., LTD  
 TEL: 0755-27129737 FAX: 0755-29940187

TITLE: 2.00mm Pitch  
 产品名称: 180° Box Header

PART NO:  
 产品编号: HDGC2005WV-N-S-2xXP-A

-TOLERANCES- UNLESS OTHERWISE SPECIFIED 公差参数表				 		DATE	SCALE	UNIT	CODE NUMBER
X.X	±0.30	X.X°	±3°	APPD: 核准:	XIE	2017-06-20	2.5:1	mm	A008
X.XX	±0.30	X.XX°	±2°	CHECK: 校对:	WANG				
X.XXX	±0.10	X.XXX°	±1°	DRAW: 绘图:	WANG				

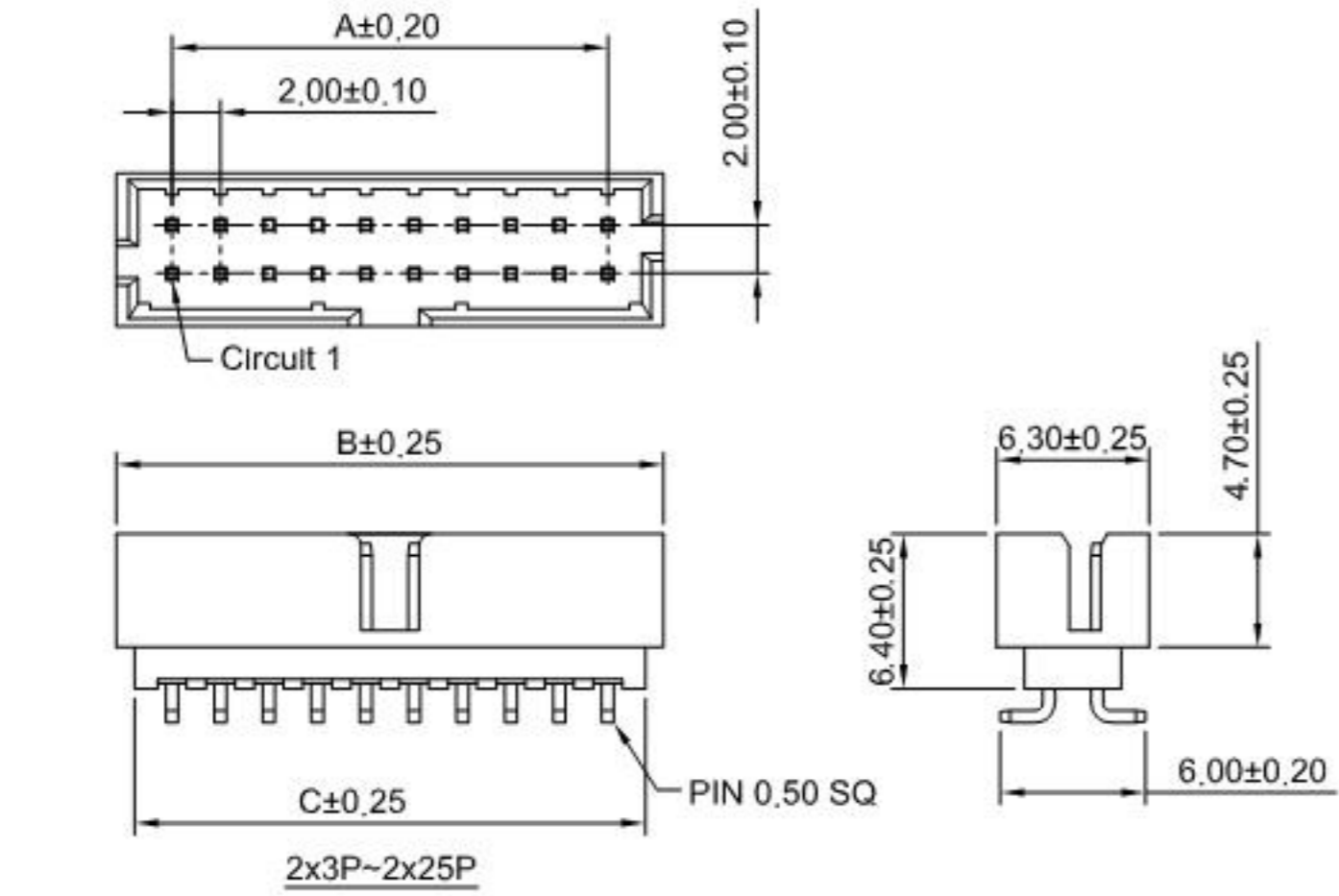
修订 REV	标记 MARK	修改摘要 REVISION DESCRIPTION	签名 SIGNATURE	日期 DATE
A0		NEW RELEASE	WANG	2017-06-20



**SPECIFICATIONS:**  
 Current Rating: 2A AC,DC  
 Voltage Rating: 250V AC,DC  
 Temperature Range: -25°C ~ +85°C  
 Contact Resistance: 20mΩ Max.  
 Insulation Resistance: 1000MΩ Min.  
 Withstanding Voltage: 500V AC/minute  
 Pin Material: Brass/Gold over Nickel  
 Material: Nylon 6T ,UL94V-0(Black)

**Ordering Information & Dimensions**

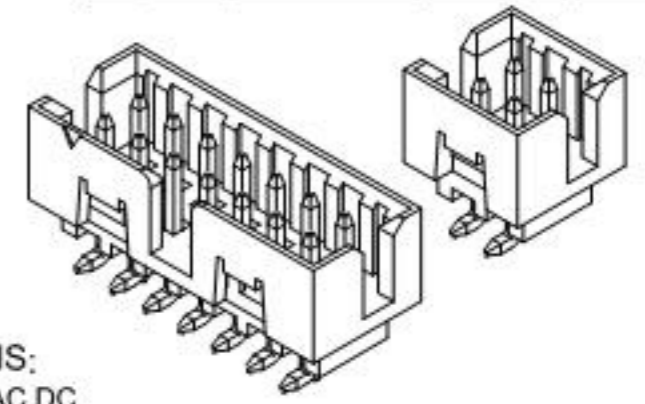
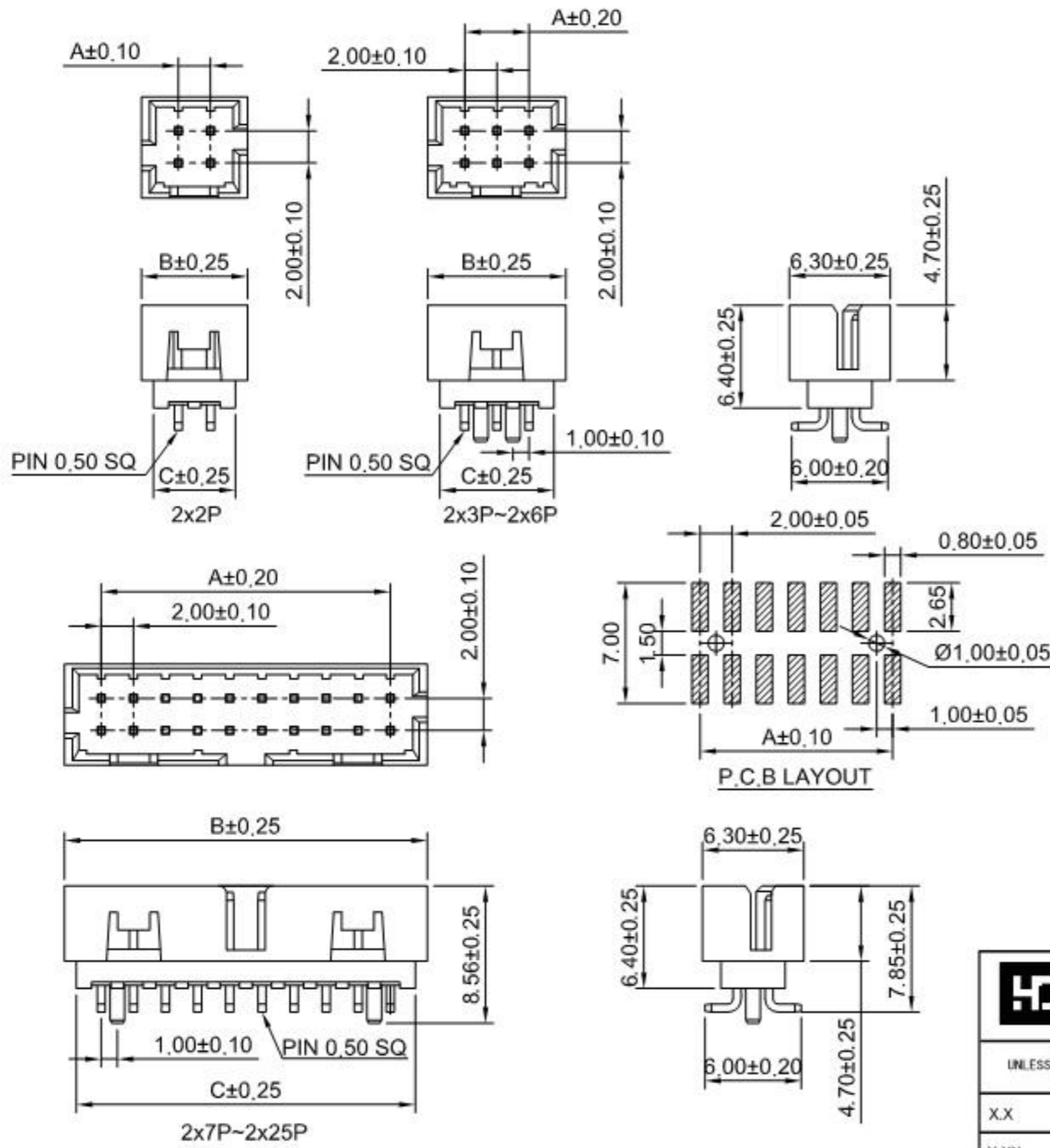
Circuits	Dimensions(mm)			Circuits	Dimensions(mm)		
	A	B	C		A	B	C
2x2P	2.00	6.65	5.00	2x14P	26.00	30.65	29.00
2x3P	4.00	8.65	7.00	2x15P	28.00	32.65	31.00
2x4P	6.00	10.65	9.00	2x16P	30.00	34.65	33.00
2x5P	8.00	12.65	11.00	2x17P	32.00	36.65	35.00
2x6P	10.00	14.65	13.00	2x18P	34.00	38.65	37.00
2x7P	12.00	16.65	15.00	2x19P	36.00	40.65	39.00
2x8P	14.00	18.65	17.00	2x20P	38.00	42.65	41.00
2x9P	16.00	20.65	19.00	2x21P	40.00	44.65	43.00
2x10P	18.00	22.65	21.00	2x22P	42.00	46.65	45.00
2x11P	20.00	24.65	23.00	2x23P	44.00	48.65	47.00
2x12P	22.00	26.65	25.00	2x24P	46.00	50.65	49.00
2x13P	24.00	28.65	27.00	2x25P	48.00	52.65	51.00



**深圳市华德共创科技有限公司**  
 Shenzhen Huade co-create Technology Co., LTD  
 TEL: 0755-27129737 FAX: 0755-29940187

-TOLERANCES- UNLESS OTHERWISE SPECIFIED 公差参数表				TITLE: 2.00mm Pitch 产品名称: 180° Box Header	
X.X	±0.30	X.X°	±3°	APPD: 核准:	XIE
X.XX	±0.30	X.XX°	±2°	CHECK: 校对:	WANG
X.XXX	±0.10	X.XXX°	±1°	DRAW: 绘图:	WANG
PART NO: 产品编号: HDGC2005WV-N-S-2xXP-B		DATE	SCALE	UNIT	CODE NUMBER
		2017-06-20	2.5:1	mm	A008

修订 REV	标记 MARK	修改摘要 REVISION DESCRIPTION	签名 SIGNATURE	日期 DATE
A0		NEW RELEASE	WANG	2017-06-20



**SPECIFICATIONS:**  
 Current Rating: 2A AC,DC  
 Voltage Rating: 250V AC,DC  
 Temperature Range: -25°C ~ +85°C  
 Contact Resistance: 20mΩ Max.  
 Insulation Resistance: 1000MΩ Min.  
 Withstanding Voltage: 500V AC/minute  
 Pin Material: Brass/Gold-flash  
 Material: Nylon 46 ,UL94V-0+30% GF(Black)

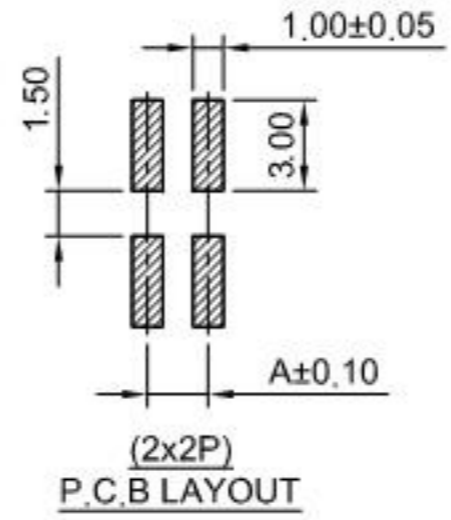
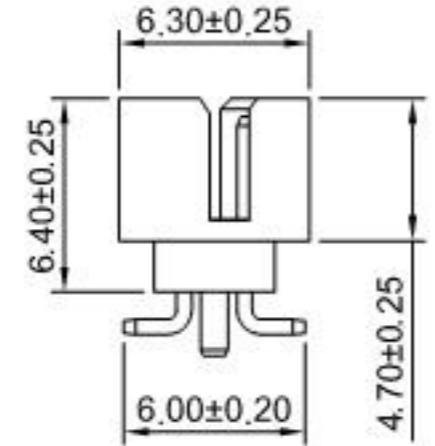
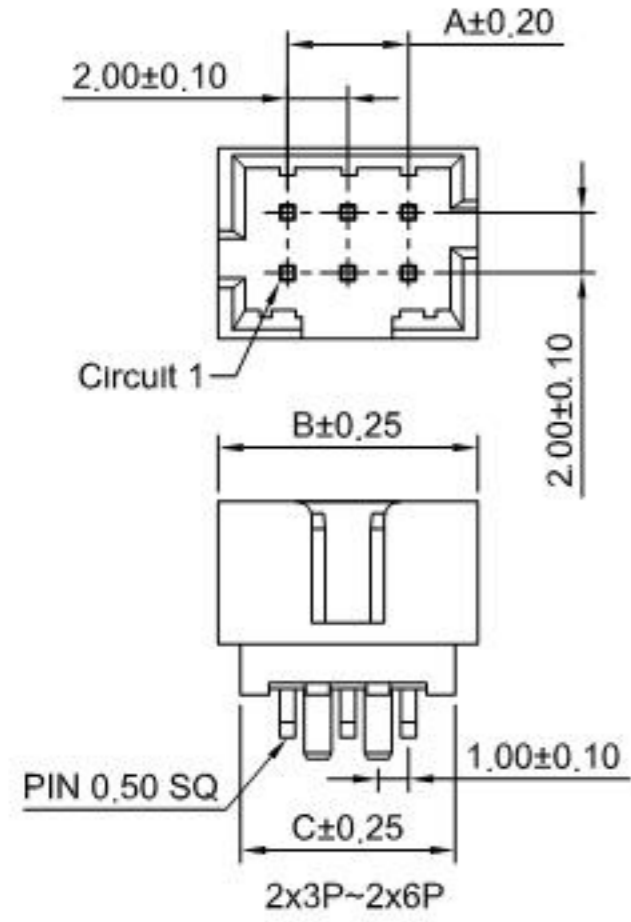
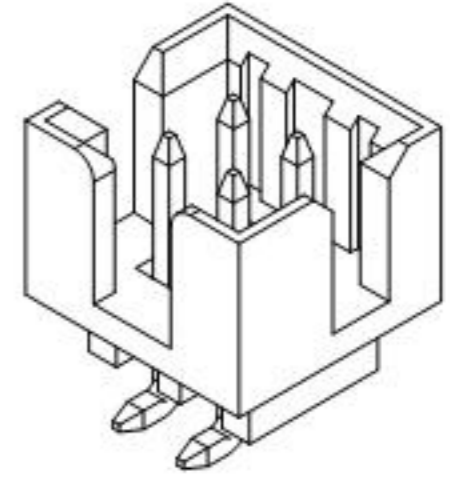
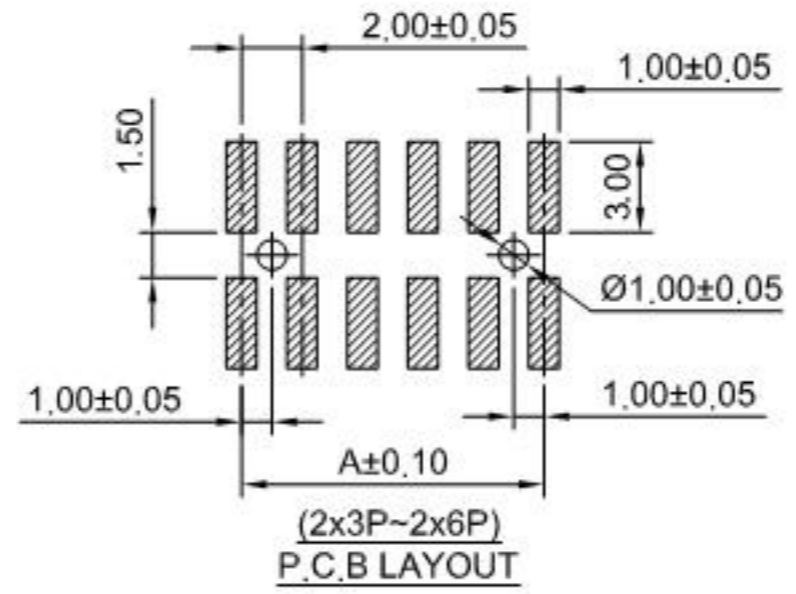
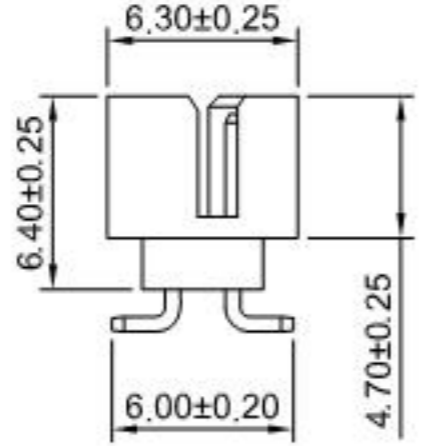
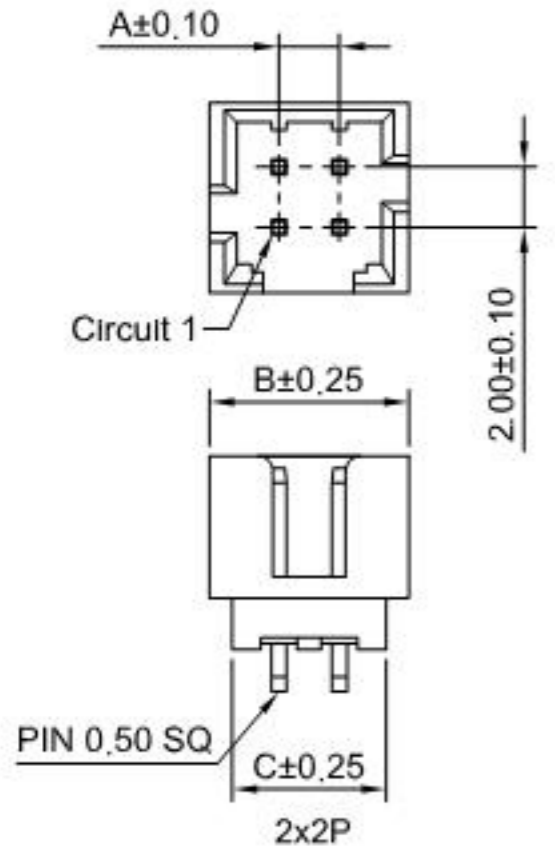
**Ordering Information & Dimensions**

Circuits	Dimensions(mm)			Circuits	Dimensions(mm)		
	A	B	C		A	B	C
2x2P	2.00	6.65	5.00	2x14P	26.00	30.65	29.00
2x3P	4.00	8.65	7.00	2x15P	28.00	32.65	31.00
2x4P	6.00	10.65	9.00	2x16P	30.00	34.65	33.00
2x5P	8.00	12.65	11.00	2x17P	32.00	36.65	35.00
2x6P	10.00	14.65	13.00	2x18P	34.00	38.65	37.00
2x7P	12.00	16.65	15.00	2x19P	36.00	40.65	39.00
2x8P	14.00	18.65	17.00	2x20P	38.00	42.65	41.00
2x9P	16.00	20.65	19.00	2x21P	40.00	44.65	43.00
2x10P	18.00	22.65	21.00	2x22P	42.00	46.65	45.00
2x11P	20.00	24.65	23.00	2x23P	44.00	48.65	47.00
2x12P	22.00	26.65	25.00	2x24P	46.00	50.65	49.00
2x13P	24.00	28.65	27.00	2x25P	48.00	52.65	51.00

**HDGC** 深圳市华德共创科技有限公司  
 Shenzhen Huade co-create Technology Co., LTD  
 TEL: 0755-27129737 FAX: 0755-29940187

-TOLERANCES- UNLESS OTHERWISE SPECIFIED 公差参数表				TITLE: 2.00mm Pitch 产品名称: 180° Box Header				
X.X	±0.30	X.X°	±3°	APPD: 核准:	PART NO: 产品编号: HDGC2005WV-N-S-F-2xXP-A			
X.XX	±0.30	X.XX°	±2°	CHECK: 校对:	DATE	SCALE	UNIT	CODE NUMBER
X.XXX	±0.10	X.XXX°	±1°	DRAW: 绘图:	2017-06-20	2.5:1	mm	A008

修订 REV	标记 MARK	修改摘要 REVISION DESCRIPTION	签名 SIGNATURE	日期 DATE
A0		NEW RELEASE	WANG	2017-06-20



**SPECIFICATIONS:**  
 Current Rating: 2A AC,DC  
 Voltage Rating: 250V AC,DC  
 Temperature Range: -25°C ~ +85°C  
 Contact Resistance: 20mΩ Max.  
 Insulation Resistance: 1000MΩ Min.  
 Withstanding Voltage: 500V AC/minute  
 Pin Material: Brass/Gold over Nickel  
 Material: Nylon 6T ,UL94V-0(Black)

**Ordering Information & Dimensions**

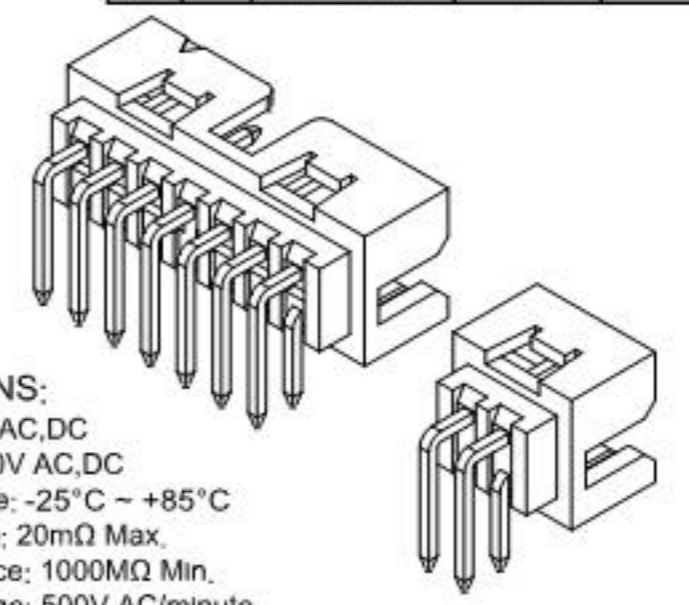
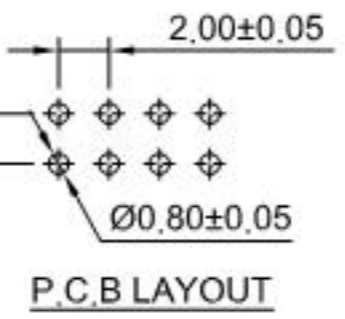
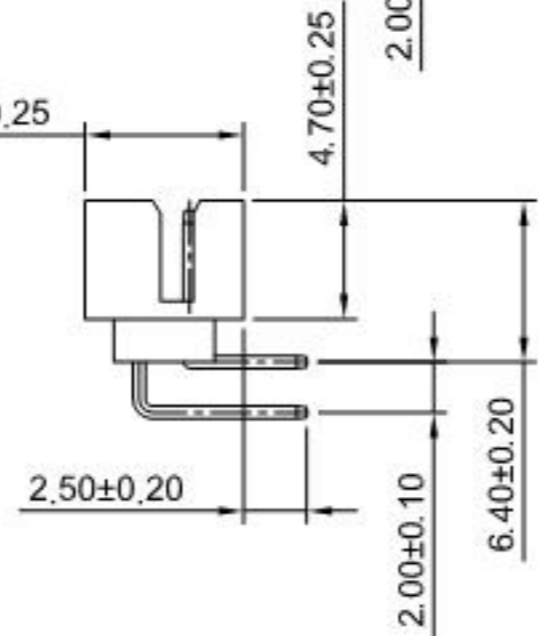
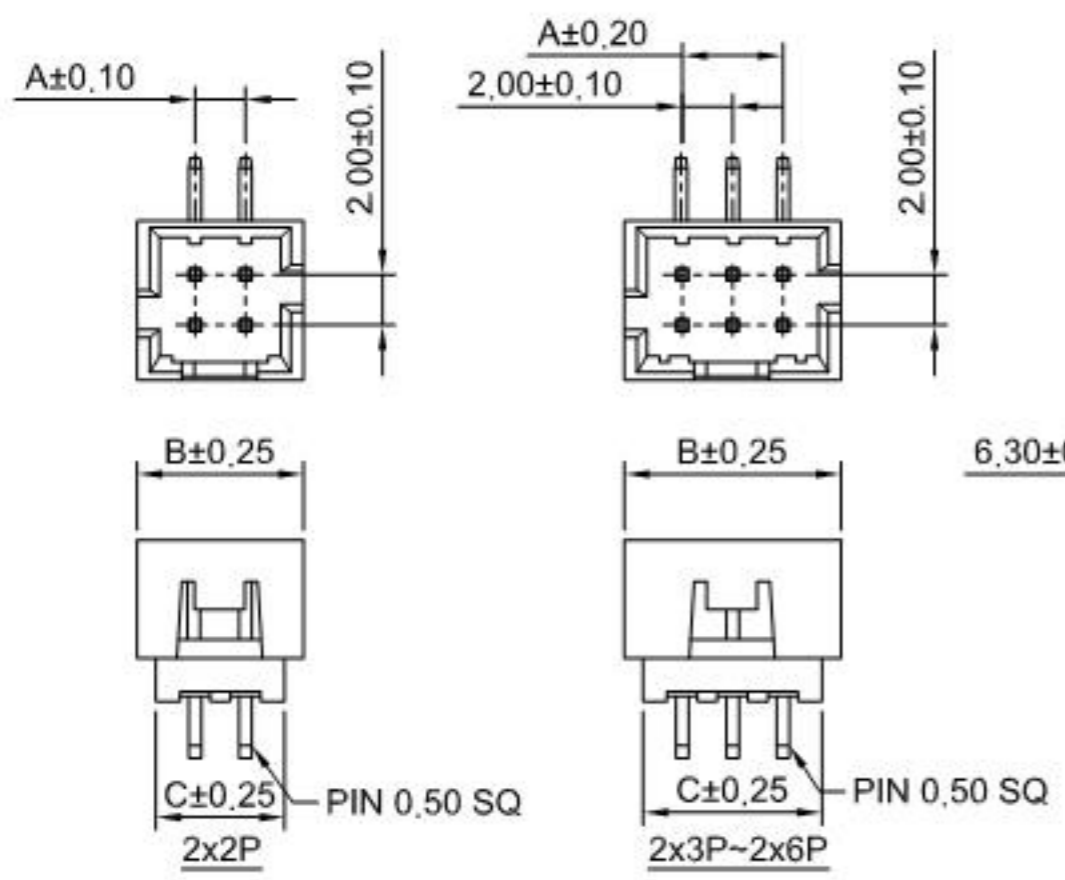
Circuits	Dimensions(mm)			Circuits	Dimensions(mm)		
	A	B	C		A	B	C
2x2P	2,00	6,65	5,00	2x5P	8,00	12,65	11,00
2x3P	4,00	8,65	7,00	2x6P	10,00	14,65	13,00
2x4P	6,00	10,65	9,00				



**深圳市华德共创科技有限公司**  
 Shenzhen Huade co-create Technology Co., LTD  
 TEL: 0755-27129737 FAX: 0755-29940187

-TOLERANCES- UNLESS OTHERWISE SPECIFIED 公差参数表				TITLE: 2.00mm Pitch 产品名称: 180° Box Header	
X.X	±0.30	X.X°	±3°	APPD: 核准:	XIE
X.XX	±0.30	X.XX°	±2°	CHECK: 校对:	WANG
X.XXX	±0.10	X.XXX°	±1°	DRAW: 绘图:	WANG
PART NO: 产品编号:		DATE		SCALE	UNIT
HDGC2005WV-N-S-F-2xXP-B		2017-06-20		3:1	mm
				CODE NUMBER	A008

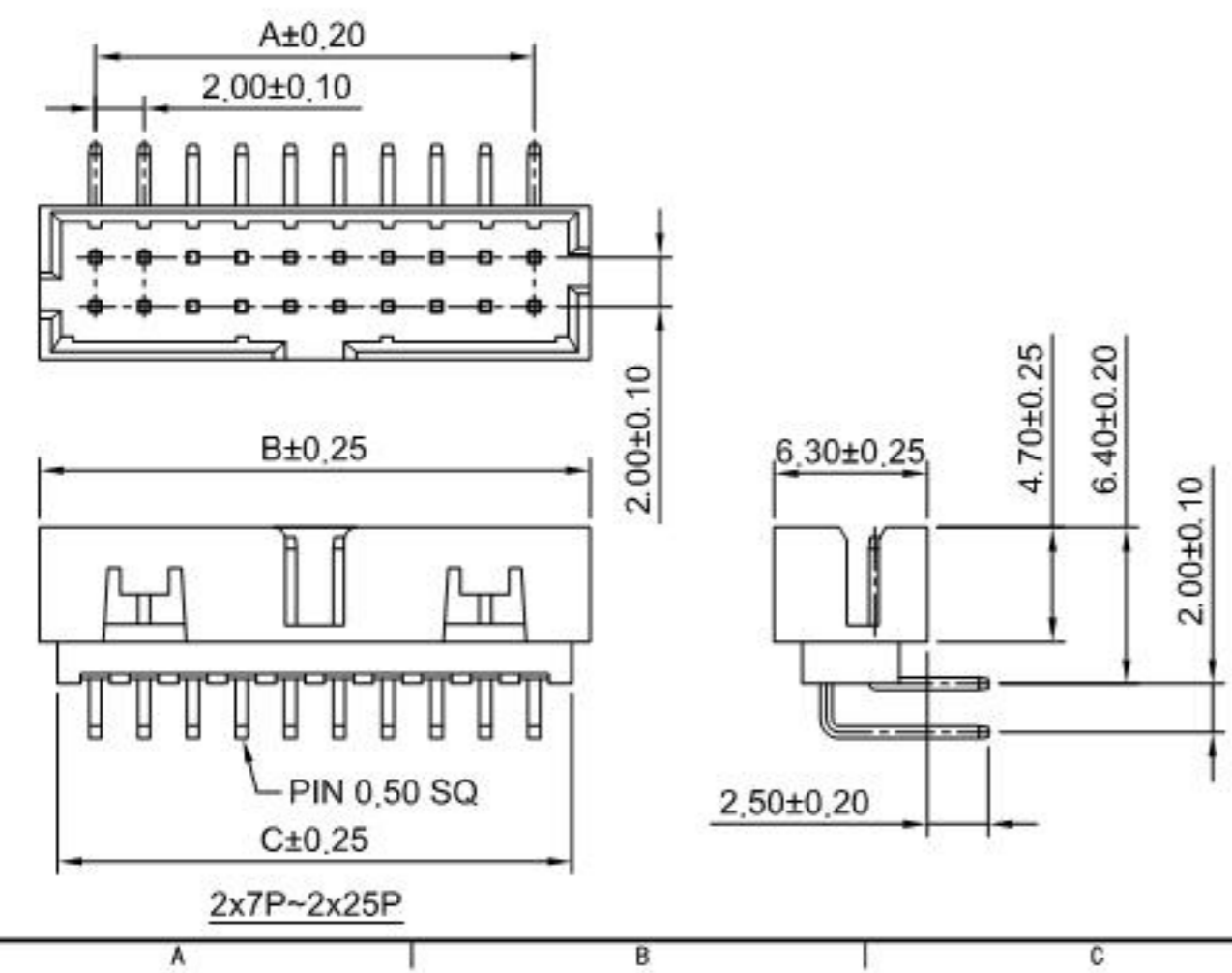
修订 REV	标记 MARK	修改摘要 REVISION DESCRIPTION	签名 SIGNATURE	日期 DATE
A0		NEW RELEASE	WANG	2017-06-20



**SPECIFICATIONS:**  
 Current Rating: 2A AC,DC  
 Voltage Rating: 250V AC,DC  
 Temperature Range: -25°C ~ +85°C  
 Contact Resistance: 20mΩ Max.  
 Insulation Resistance: 1000MΩ Min.  
 Withstanding Voltage: 500V AC/minute  
 Pin Material: Brass/Gold over Nickel  
 Material: Nylon 6T ,UL94V-0(Black)

**Ordering Information & Dimensions**

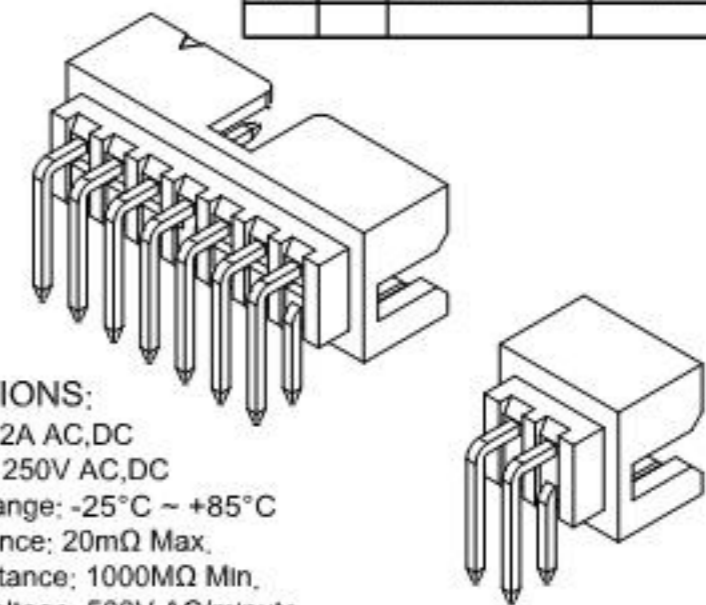
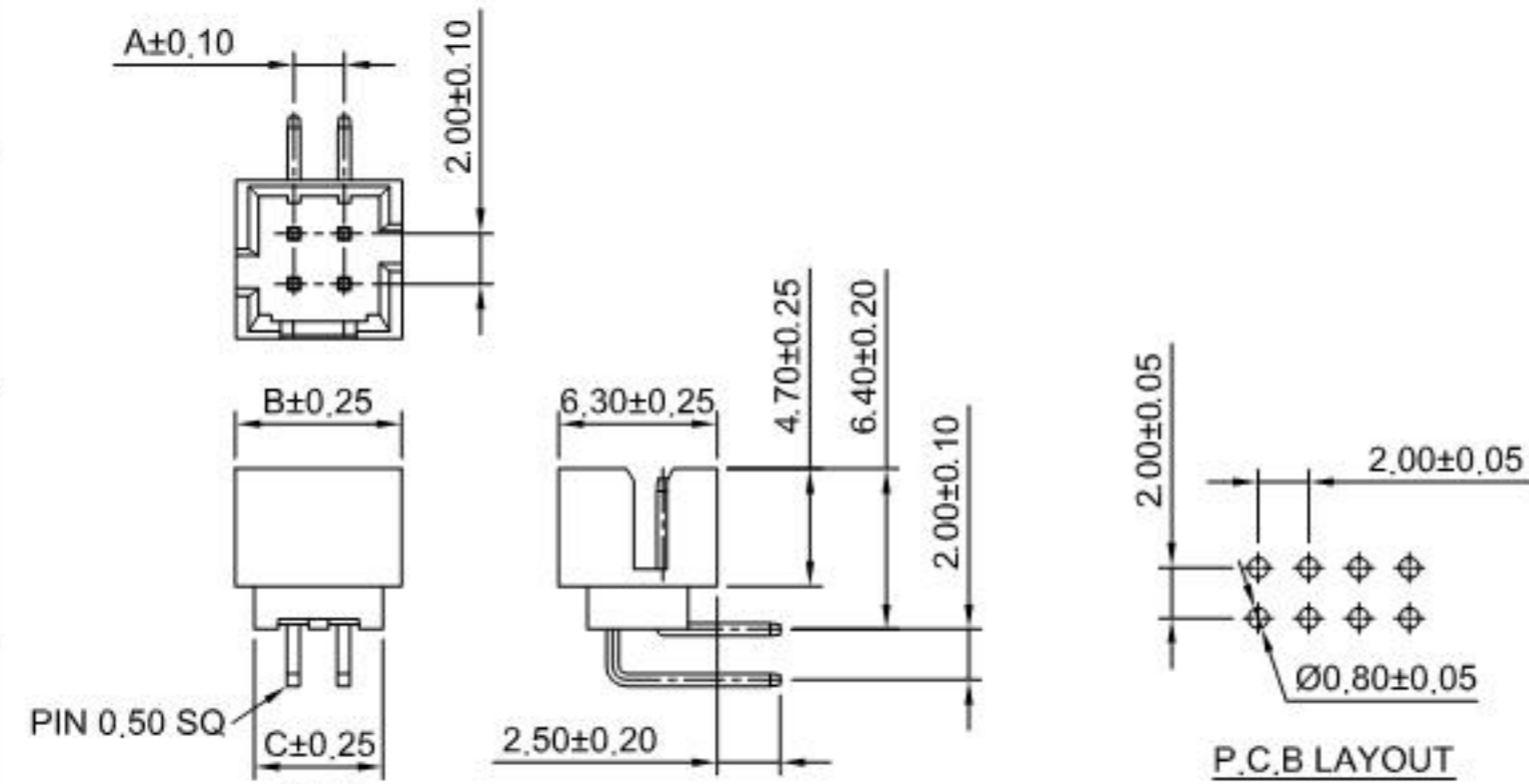
Circuits	Dimensions(mm)			Circuits	Dimensions(mm)		
	A	B	C		A	B	C
2x2P	2,00	6,65	5,00	2x14P	26,00	30,65	29,00
2x3P	4,00	8,65	7,00	2x15P	28,00	32,65	31,00
2x4P	6,00	10,65	9,00	2x16P	30,00	34,65	33,00
2x5P	8,00	12,65	11,00	2x17P	32,00	36,65	35,00
2x6P	10,00	14,65	13,00	2x18P	34,00	38,65	37,00
2x7P	12,00	16,65	15,00	2x19P	36,00	40,65	39,00
2x8P	14,00	18,65	17,00	2x20P	38,00	42,65	41,00
2x9P	16,00	20,65	19,00	2x21P	40,00	44,65	43,00
2x10P	18,00	22,65	21,00	2x22P	42,00	46,65	45,00
2x11P	20,00	24,65	23,00	2x23P	44,00	48,65	47,00
2x12P	22,00	26,65	25,00	2x24P	46,00	50,65	49,00
2x13P	24,00	28,65	27,00	2x25P	48,00	52,65	51,00



**HDGC** 深圳市华德共创科技有限公司  
 Shenzhen Huade co-create Technology Co., LTD  
 TEL: 0755-27129737 FAX: 0755-29940187

-TOLERANCES- UNLESS OTHERWISE SPECIFIED 公差参数表				TITLE: 2.00mm Pitch 产品名称: 90° Box Header						
X.X	±0.30	X.X°	±3°	APPD: 核准:	XIE		PART NO: 产品编号:	HDGC2005WR-N-2xXP-A		
X.XX	±0.30	X.XX°	±2°	CHECK: 校对:	WANG		DATE	SCALE	UNIT	CODE NUMBER
X.XXX	±0.10	X.XXX°	±1°	DRAW: 绘图:	WANG		2017-06-20	2.5:1	mm	A008

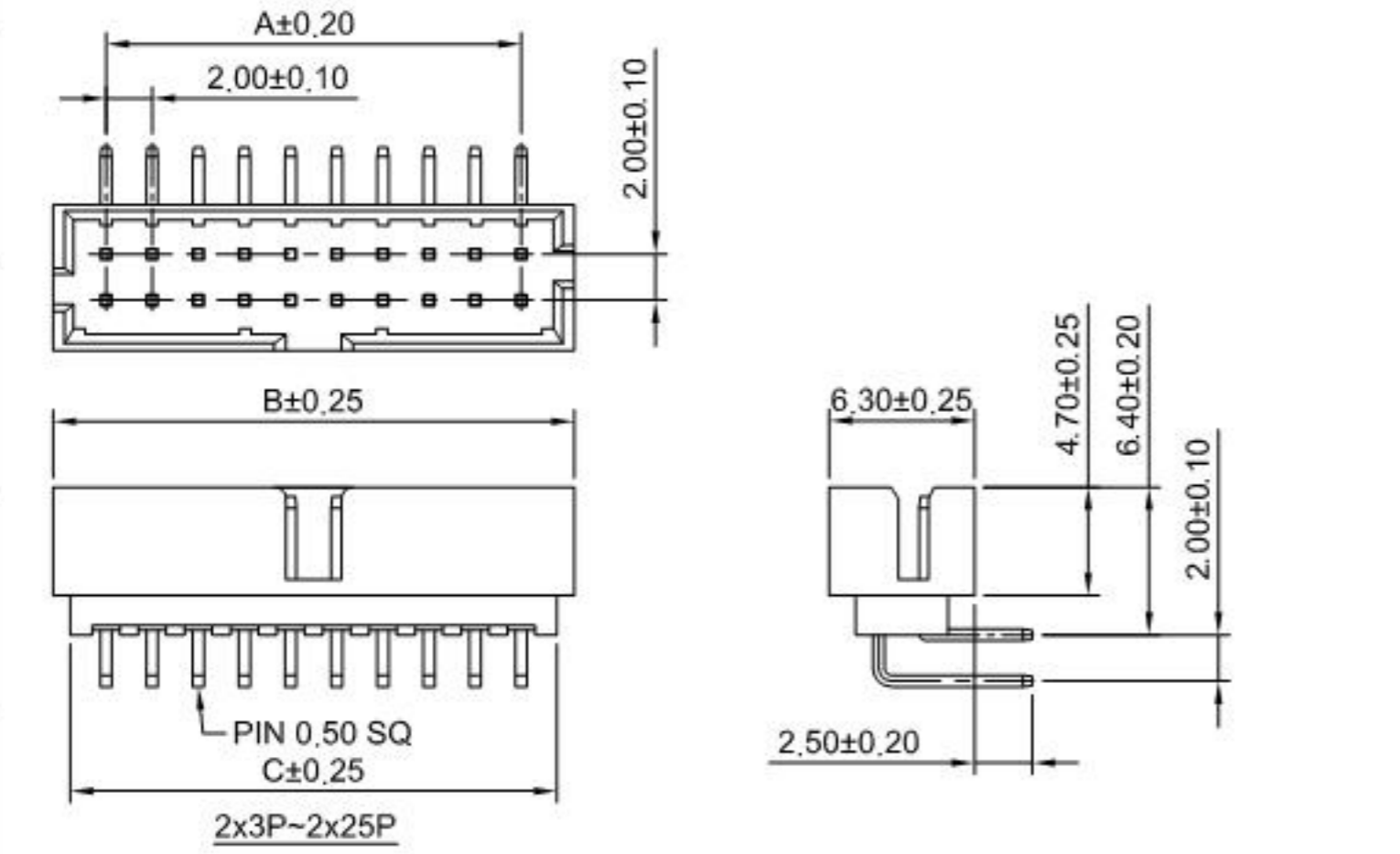
修订 REV	标记 MARK	修改摘要 REVISION DESCRIPTION	签名 SIGNATURE	日期 DATE
A0		NEW RELEASE	WANG	2017-06-20



**SPECIFICATIONS:**  
 Current Rating: 2A AC,DC  
 Voltage Rating: 250V AC,DC  
 Temperature Range: -25°C ~ +85°C  
 Contact Resistance: 20mΩ Max.  
 Insulation Resistance: 1000MΩ Min.  
 Withstanding Voltage: 500V AC/minute  
 Pin Material: Brass/Gold over Nickel  
 Material: Nylon 6T ,UL94V-0(Black)

**Ordering Information & Dimensions**

Circuits	Dimensions(mm)			Circuits	Dimensions(mm)		
	A	B	C		A	B	C
2x2P	2.00	6.65	5.00	2x14P	26.00	30.65	29.00
2x3P	4.00	8.65	7.00	2x15P	28.00	32.65	31.00
2x4P	6.00	10.65	9.00	2x16P	30.00	34.65	33.00
2x5P	8.00	12.65	11.00	2x17P	32.00	36.65	35.00
2x6P	10.00	14.65	13.00	2x18P	34.00	38.65	37.00
2x7P	12.00	16.65	15.00	2x19P	36.00	40.65	39.00
2x8P	14.00	18.65	17.00	2x20P	38.00	42.65	41.00
2x9P	16.00	20.65	19.00	2x21P	40.00	44.65	43.00
2x10P	18.00	22.65	21.00	2x22P	42.00	46.65	45.00
2x11P	20.00	24.65	23.00	2x23P	44.00	48.65	47.00
2x12P	22.00	26.65	25.00	2x24P	46.00	50.65	49.00
2x13P	24.00	28.65	27.00	2x25P	48.00	52.65	51.00



**HDGC** 深圳市华德共创科技有限公司  
 Shenzhen Huade co-create Technology Co., LTD  
 TEL: 0755-27129737 FAX: 0755-29940187

-TOLERANCES- UNLESS OTHERWISE SPECIFIED 公差参数表				TITLE: 2.00mm Pitch 产品名称: 90° Box Header	
X.X	±0.30	X.X°	±3°	APPD: 核准:	XIE
X.XX	±0.30	X.XX°	±2°	CHECK: 校对:	WANG
X.XXX	±0.10	X.XXX°	±1°	DRAW: 绘图:	WANG
PART NO: 产品编号:		DATE		SCALE	UNIT
HDGC2005WR-N-2xXP-B		2017-06-20		2.5:1	mm
				CODE NUMBER	A008

修订 REV	标记 MARK	修改摘要 REVISION DESCRIPTION	签名 SIGNATURE	日期 DATE
A0		NEW RELEASE	WANG	2017-06-20

**Ordering Information:**

HDGC2005WV-N-2xXP-FI -  $\frac{***}{1} - \frac{**}{2} - \frac{**}{3} - \frac{**}{4}$

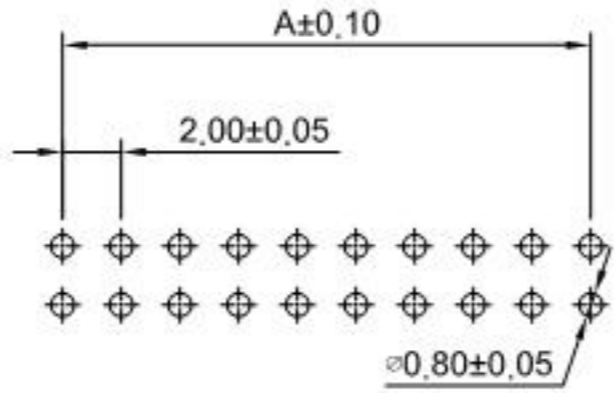
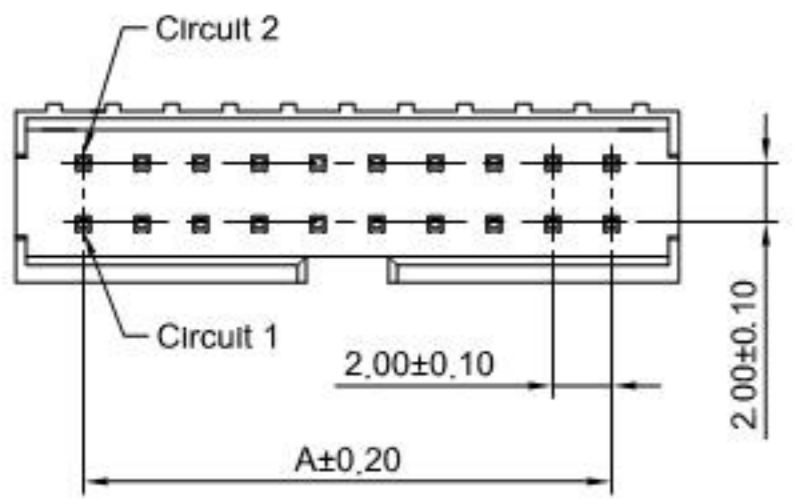
- 1.Part No.
- 2.Material:  
(Blank):Nylon 9T,UL94V-0  
6T:Nylon 6T,UL94V-0  
GWT:Nylon 6T,UL94V-0,GWT 750℃
- 3.Color:  
(Blank):Black  
IV:Ivory
- 4.Finish:  
(Blank):Gold over Nickel  
T:Tin over Nickel

**SPECIFICATIONS:**

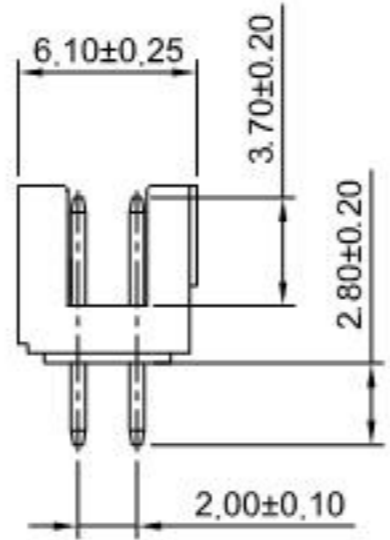
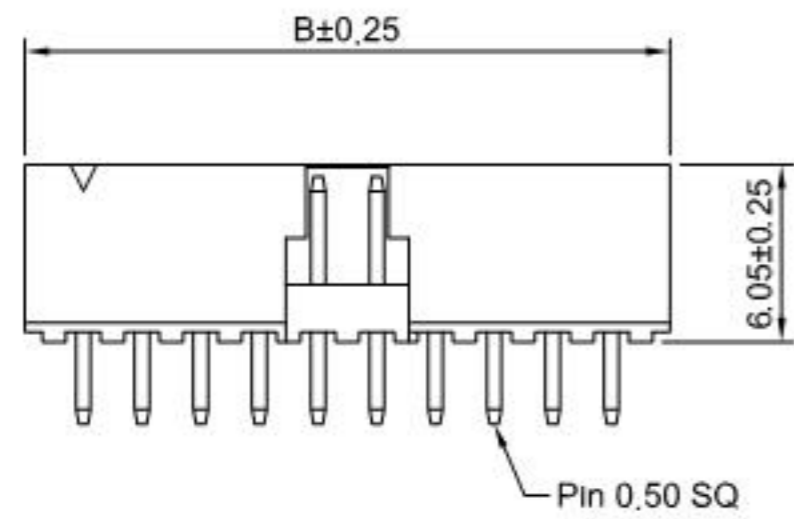
Current Rating: 2A AC,DC  
Voltage Rating: 250V AC,DC  
Temperature Range: -25℃ ~ +85℃  
Contact Resistance: 20mΩ Max.  
Insulation Resistance: 1000MΩ Min.  
Withstanding Voltage: 500V AC/minute  
Pin Material: Brass/Gold over Nickel  
Material: Nylon 9T,UL94V-0(Black)

**Ordering Information & Dimensions**

Circuits	Dimensions(mm)		Circuits	Dimensions(mm)	
	A	B		A	B
2x5P	8.00	12.00	2x15P	28.00	32.00
2x6P	10.00	14.00	2x17P	32.00	36.00
2x7P	12.00	16.00	2x20P	38.00	42.00
2x8P	14.00	18.00	2x22P	42.00	46.00
2x10P	18.00	22.00	2x25P	48.00	52.00
2x13P	24.00	28.00	2x30P	58.00	62.00



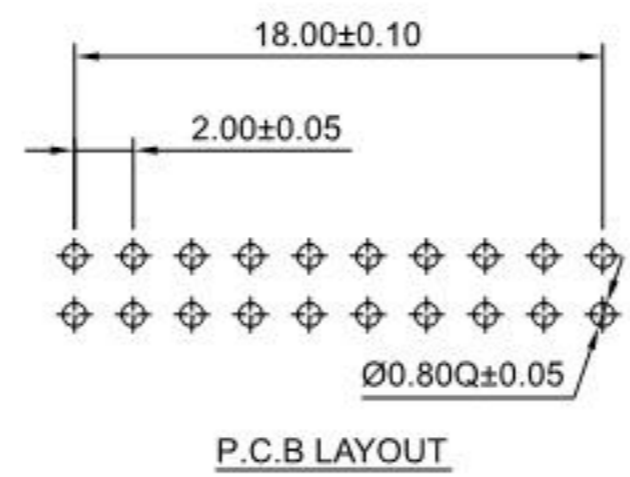
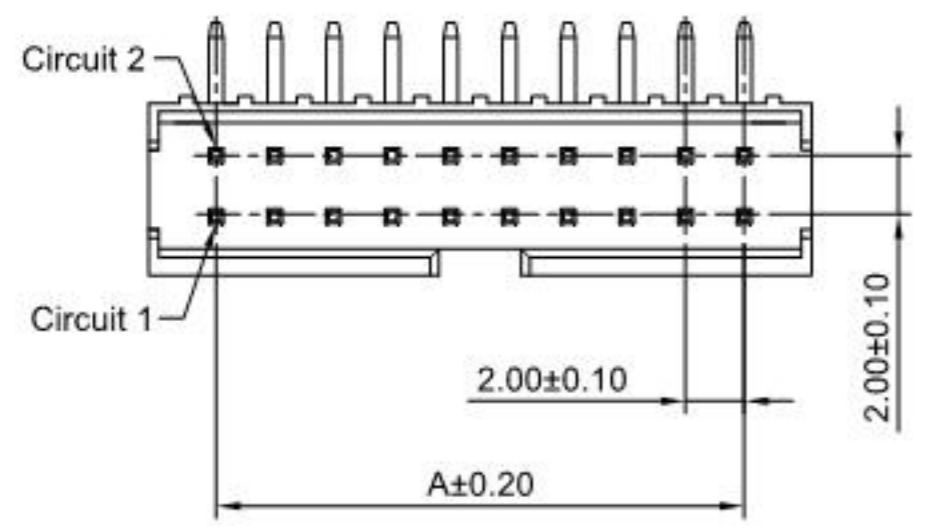
**P.C.B LAYOUT**



**HDGC** 深圳市华德共创科技有限公司  
Shenzhen Huade co-create Technology Co., LTD  
TEL: 0755-27129737 FAX: 0755-29940187

-TOLERANCES- UNLESS OTHERWISE SPECIFIED 公差参数表				TITLE: 2.00mm Pitch 产品名称: 180° Box Header	
X.X	±0.30	X.X°	±3°	APPD: 核准:	XIE
X.XX	±0.30	X.XX°	±2°	CHECK: 校对:	WANG
X.XXX	±0.10	X.XXX°	±1°	DRAW: 绘图:	WANG
PART NO: 产品编号:		HDGC2005WV-N-2xXP-FI		DATE	2017-06-20
SCALE		3:1		UNIT	mm
CODE NUMBER		A008			

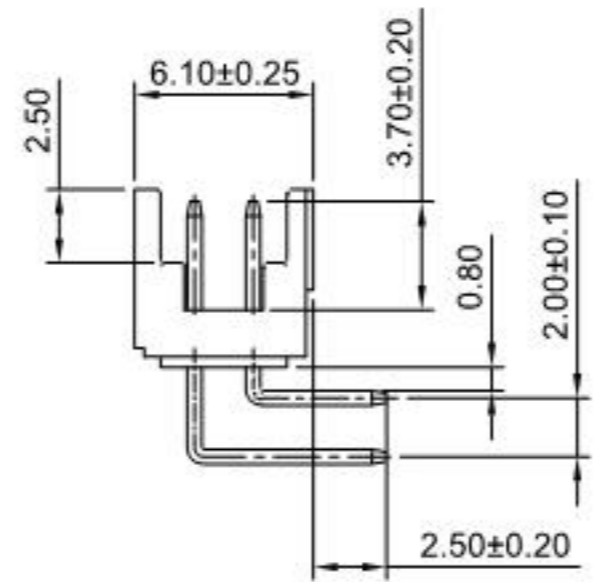
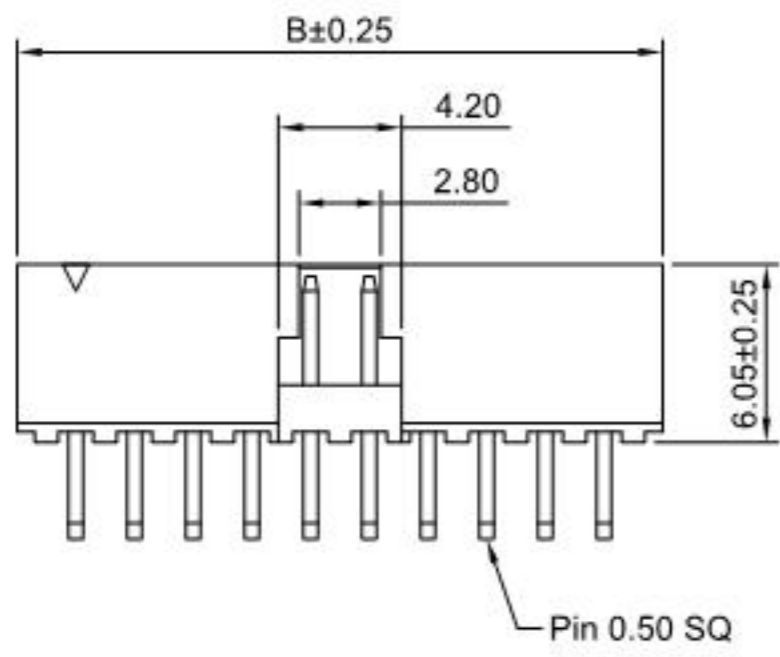
修订 REV	标记 MARK	修改摘要 REVISION DESCRIPTION	签名 SIGNATURE	日期 DATE
A0		NEW RELEASE	WANG	2017-06-20



**SPECIFICATIONS:**  
 Current Rating: 2A AC,DC  
 Voltage Rating: 250V AC,DC  
 Temperature Range: -25°C ~ +85°C  
 Contact Resistance: 20mΩ Max.  
 Insulation Resistance: 1000MΩ Min.  
 Withstanding Voltage: 500V AC/minute  
 Pin Material: Brass/Gold over Nickel  
 Material: High Temperature Thermoplastic, UL94V-0(Black)

**Ordering Information & Dimensions**

Circuits	Dimensions(mm)		Circuits	Dimensions(mm)	
	A	B		A	B
2x5P	8.00	12.00	2x17P	32.00	36.00
2x7P	12.00	16.00	2x20P	38.00	42.00
2x8P	14.00	18.00	2x22P	42.00	46.00
2x10P	18.00	22.00	2x25P	48.00	52.00
2x13P	24.00	28.00	2x30P	58.00	62.00
2x15P	28.00	32.00			





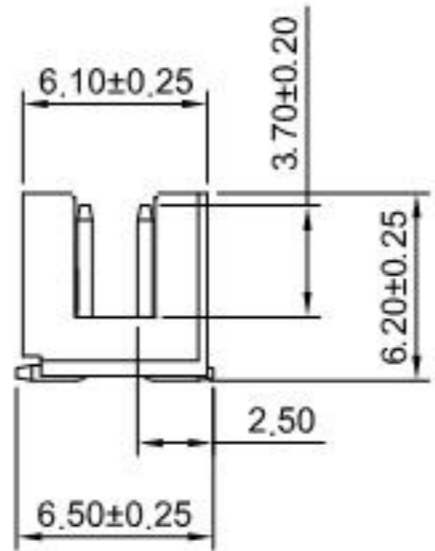
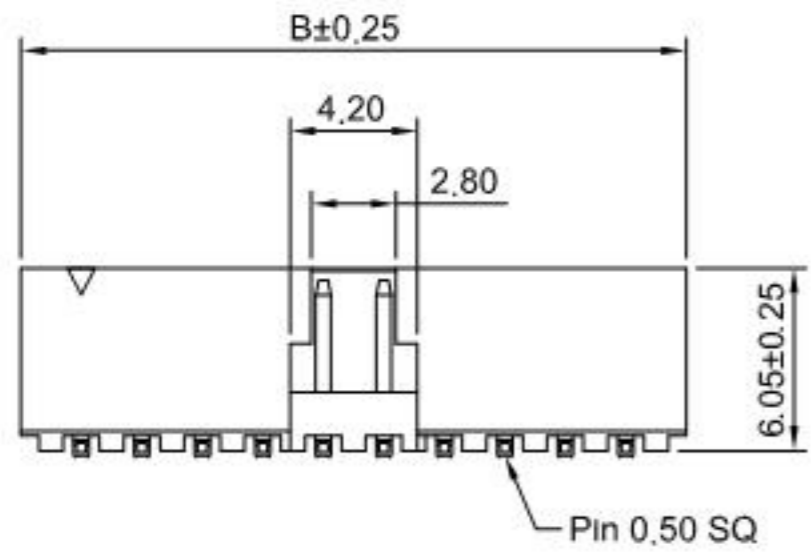
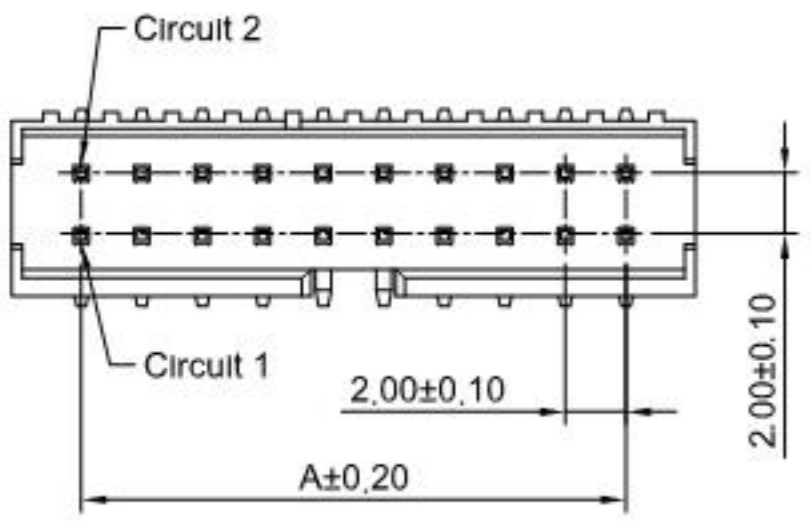
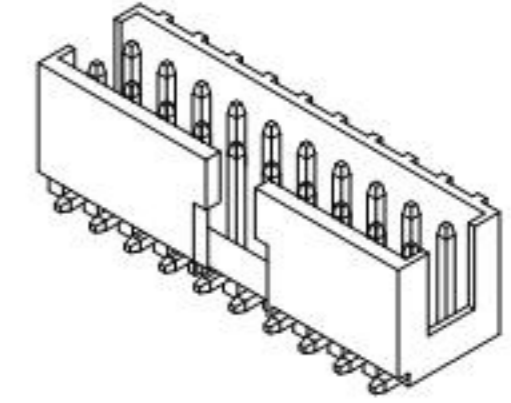
**深圳市华德共创科技有限公司**  
 Shenzhen Huade co-create Technology Co., LTD  
 TEL: 0755-27129737 FAX: 0755-29940187

-TOLERANCES- UNLESS OTHERWISE SPECIFIED 公差参数表				TITLE: 2.00mm Pitch 产品名称: 90° Box Header	
X.X	±0.30	X.X°	±3°	APPD: 核准:	XIE
X.XX	±0.30	X.XX°	±2°	CHECK: 校对:	WANG
X.XXX	±0.10	X.XXX°	±1°	DRAW: 绘图:	WANG
PART NO: 产品编号:		HDGC2005WR-N-2xXP-FI		DATE	2017-06-20
SCALE		3:1		UNIT	mm
CODE NUMBER		A008			

修订 REV	标记 MARK	修改摘要 REVISION DESCRIPTION	签名 SIGNATURE	日期 DATE
A0		NEW RELEASE	WANG	2017-06-20

Ordering Information:  
 HDGC2005WV-N-S-2xXP-FI -  $\frac{??}{2}$  -  $\frac{??}{3}$  -  $\frac{??}{4}$

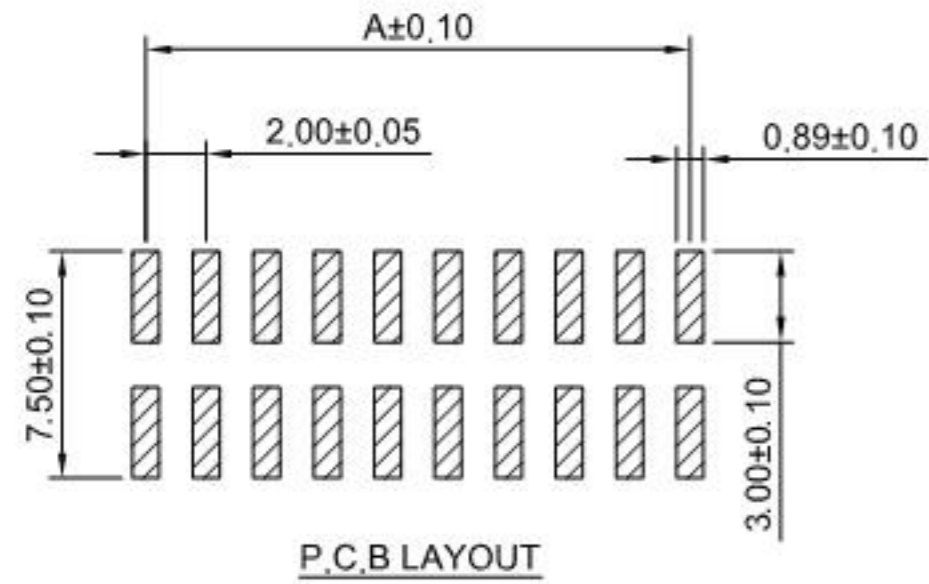
- Part No.
- Material:  
 (Blank): Nylon 9T, UL94V-0  
 6T: Nylon 6T, UL94V-0  
 GWT: Nylon 6T, UL94V-0, GWT 750°C
- Color:  
 (Blank): Black  
 IV: Ivory
- Finish:  
 (Blank): Gold over Nickel  
 I: Tin over Nickel



**SPECIFICATIONS:**  
 Current Rating: 2A AC, DC  
 Voltage Rating: 250V AC, DC  
 Temperature Range: -25°C ~ +85°C  
 Contact Resistance: 20mΩ Max.  
 Insulation Resistance: 1000MΩ Min.  
 Withstanding Voltage: 500V AC/minute  
 Pin Material: Brass/Gold over Nickel  
 Material: Nylon 9T+30%G,F, UL94V-0(Black)

Ordering Information & Dimensions

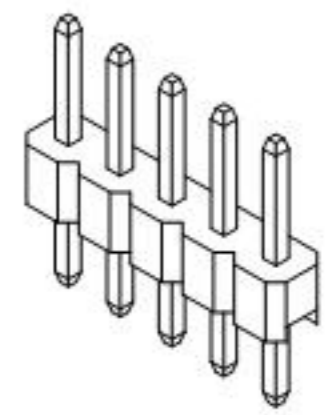
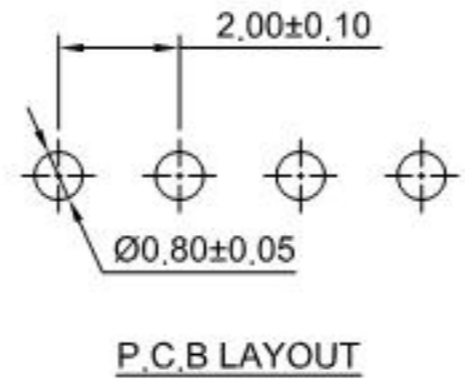
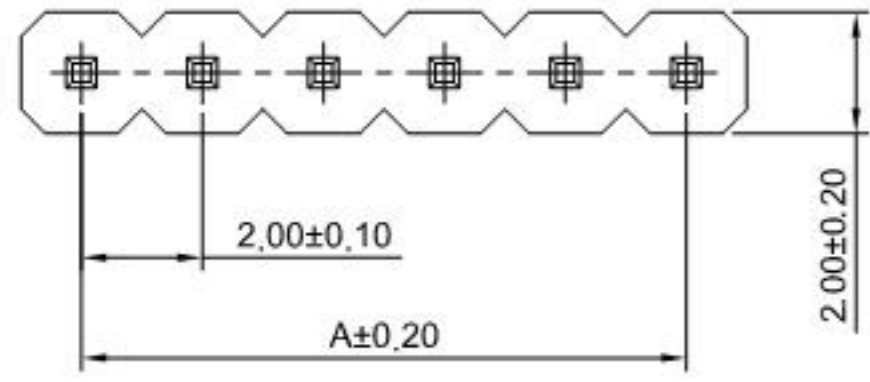
Circuits	Dimensions(mm)		Circuits	Dimensions(mm)	
	A	B		A	B
2x5P	8.00	12.10	2x15P	28.00	32.10
2x7P	12.00	16.10	2x17P	32.00	36.10
2x8P	14.00	18.10	2x20P	38.00	42.10
2x10P	18.00	22.10	2x22P	42.00	46.10
2x12P	22.00	26.10	2x25P	48.00	52.10
2x13P	24.00	28.10	2x30P	58.00	62.10



**深圳市华德共创科技有限公司**  
 Shenzhen Huade co-create Technology Co., LTD  
 TEL: 0755-27129737 FAX: 0755-29940187

-TOLERANCES- UNLESS OTHERWISE SPECIFIED 公差参数表		 	TITLE: 2.00mm Pitch 产品名称: 180° Box Header	
X.X	±0.30	X.X°	±3°	APPD: 核准: XIE
X.XX	±0.30	X.XX°	±2°	CHECK: 校对: WANG
X.XXX	±0.10	X.XXX°	±1°	DRAW: 绘图: WANG
		DATE: 2017-06-20	SCALE: 3:1	UNIT: mm
		PART NO: HDGC2005WV-N-S-2xXP-FI		CODE NUMBER: A008

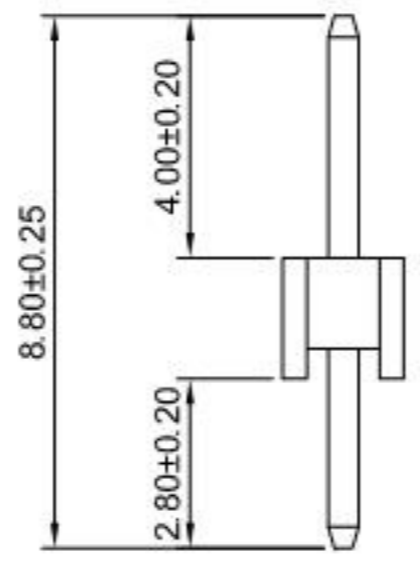
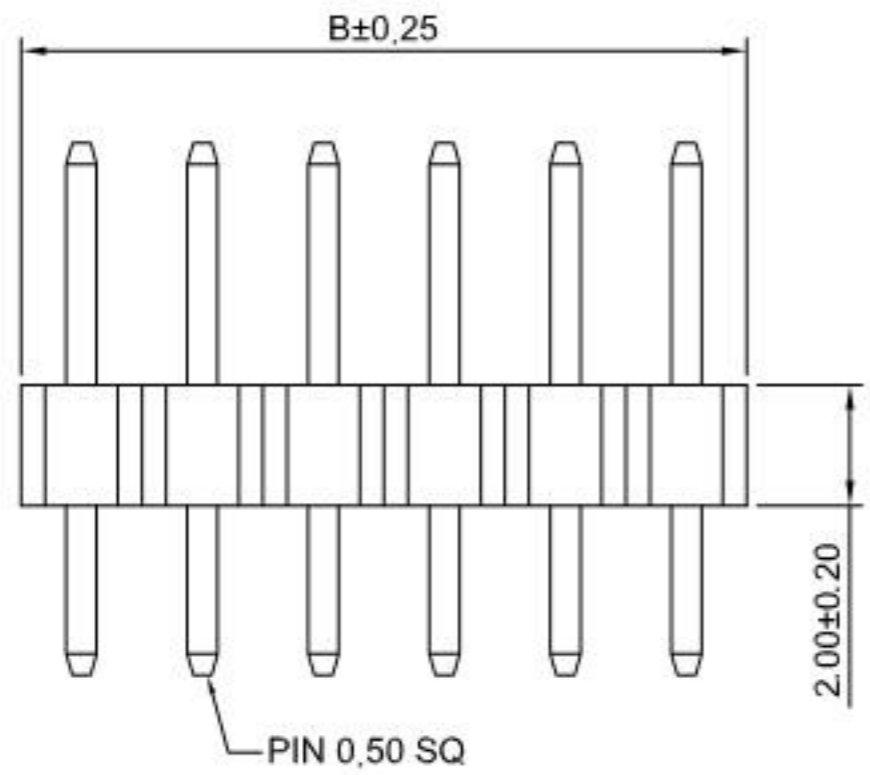
修订 REV	标记 MARK	修改摘要 REVISION DESCRIPTION	签名 SIGNATURE	日期 DATE
A0		NEW RELEASE	WANG	2017-06-20



**SPECIFICATIONS:**  
 Current Rating: 2A AC,DC  
 Voltage Rating: 250V AC,DC  
 Temperature Range: -25°C ~ +85°C  
 Contact Resistance: 20mΩ Max.  
 Insulation Resistance: 1000MΩ Min.  
 Withstanding Voltage: 500V AC/minute  
 Pin Material: Brass/Gold over Nickel  
 Material: Nylon 6T,UL94V-0(Black)

**Ordering Information & Dimensions**

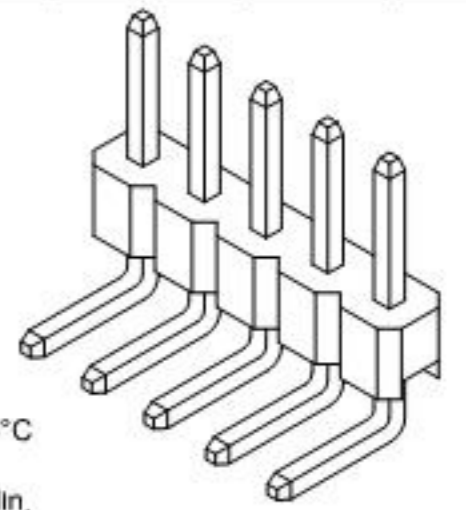
Circuits	Dim(mm)		Circuits	Dim(mm)		Circuits	Dim(mm)	
	A	B		A	B		A	B
2P	2.00	4.00	15P	28.00	30.00	28P	54.00	56.00
3P	4.00	6.00	16P	30.00	32.00	29P	56.00	58.00
4P	6.00	8.00	17P	32.00	34.00	30P	58.00	60.00
5P	8.00	10.00	18P	34.00	36.00	31P	60.00	62.00
6P	10.00	12.00	19P	36.00	38.00	32P	62.00	64.00
7P	12.00	14.00	20P	38.00	40.00	33P	64.00	66.00
8P	14.00	16.00	21P	40.00	42.00	34P	66.00	68.00
9P	16.00	18.00	22P	42.00	44.00	35P	68.00	70.00
10P	18.00	20.00	23P	44.00	46.00	36P	70.00	72.00
11P	20.00	22.00	24P	46.00	48.00	37P	72.00	74.00
12P	22.00	24.00	25P	48.00	50.00	38P	74.00	76.00
13P	24.00	26.00	26P	50.00	52.00	39P	76.00	78.00
14P	26.00	28.00	27P	52.00	54.00	40P	78.00	80.00



**HDGC** 深圳市华德共创科技有限公司  
 Shenzhen Huade co-create Technology Co., LTD  
 TEL: 0755-27129737 FAX: 0755-29940187

-TOLERANCES- UNLESS OTHERWISE SPECIFIED 公差参数表				TITLE: 2.00mm Pitch 产品名称: 180° Pin Header	
X.X	±0.30	X.X°	±3°	APPD: 核准:	XIE
X.XX	±0.30	X.XX°	±2°	CHECK: 校对:	WANG
X.XXX	±0.10	X.XXX°	±1°	DRAW: 绘图:	WANG
PART NO: 产品编号:		HDGC2005WV-XP		DATE	2017-06-20
SCALE		6:1	UNIT	mm	CODE NUMBER
					A008

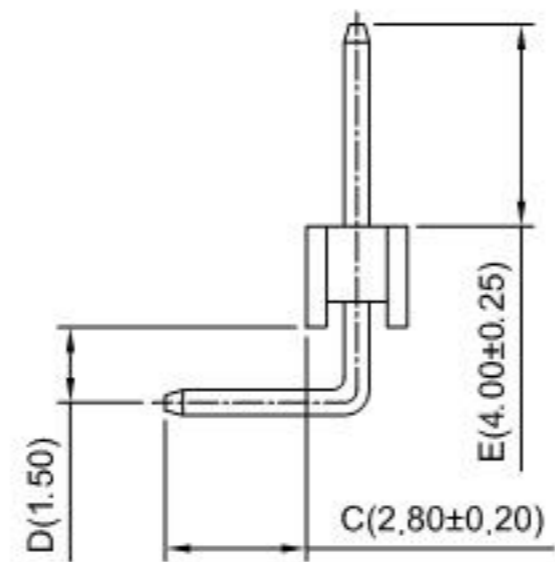
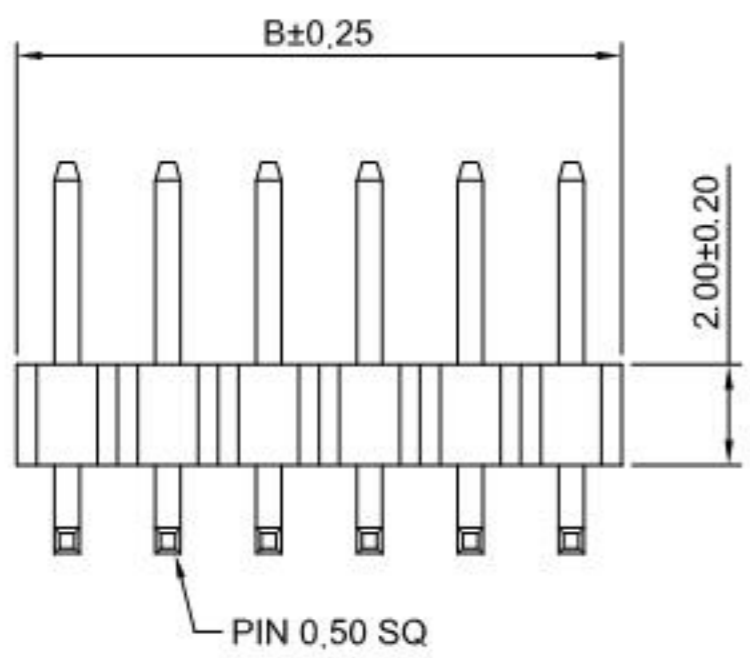
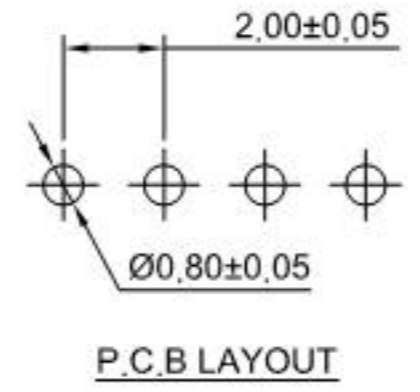
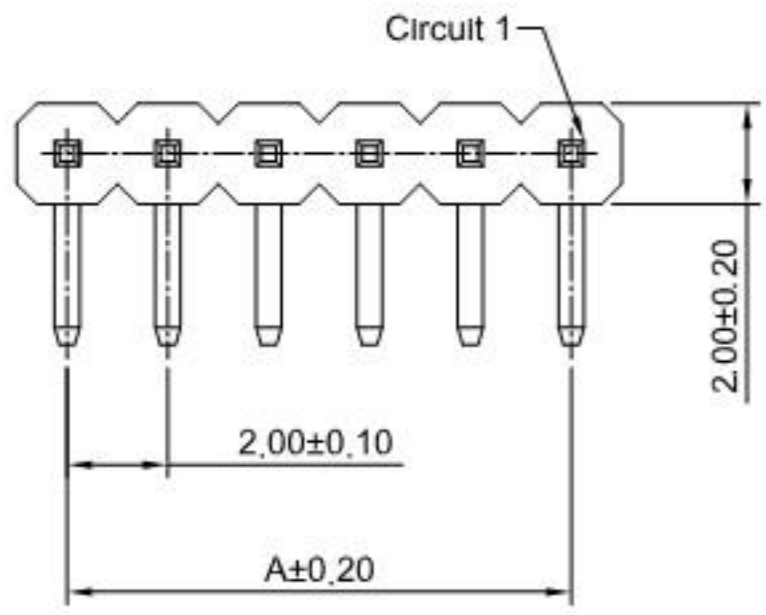
修订 REV	标记 MARK	修改摘要 REVISION DESCRIPTION	签名 SIGNATURE	日期 DATE
A0		NEW RELEASE	WANG	2017-06-20



**SPECIFICATIONS:**  
 Current Rating: 2A AC,DC  
 Voltage Rating: 250V AC,DC  
 Temperature Range: -25°C ~ +85°C  
 Contact Resistance: 20mΩ Max.  
 Insulation Resistance: 1000MΩ Min.  
 Withstanding Voltage: 500V AC/minute  
 Pin Material: Brass/Gold over Nickel  
 Material: PBT+30%GF,UL94V-0(Black)

**Ordering Information & Dimensions**

Circuits	Dim(mm)		Circuits	Dim(mm)		Circuits	Dim(mm)	
	A	B		A	B		A	B
2P	2.00	4.00	15P	28.00	30.00	28P	54.00	56.00
3P	4.00	6.00	16P	30.00	32.00	29P	56.00	58.00
4P	6.00	8.00	17P	32.00	34.00	30P	58.00	60.00
5P	8.00	10.00	18P	34.00	36.00	31P	60.00	62.00
6P	10.00	12.00	19P	36.00	38.00	32P	62.00	64.00
7P	12.00	14.00	20P	38.00	40.00	33P	64.00	66.00
8P	14.00	16.00	21P	40.00	42.00	34P	66.00	68.00
9P	16.00	18.00	22P	42.00	44.00	35P	68.00	70.00
10P	18.00	20.00	23P	44.00	46.00	36P	70.00	72.00
11P	20.00	22.00	24P	46.00	48.00	37P	72.00	74.00
12P	22.00	24.00	25P	48.00	50.00	38P	74.00	76.00
13P	24.00	26.00	26P	50.00	52.00	39P	76.00	78.00
14P	26.00	28.00	27P	52.00	54.00	40P	78.00	80.00



**HDGC** 深圳市华德共创科技有限公司  
 Shenzhen Huade co-create Technology Co., LTD  
 TEL: 0755-27129737 FAX: 0755-29940187

-TOLERANCES- UNLESS OTHERWISE SPECIFIED 公差参数表				TITLE: 2.00mm Pitch 产品名称: 90° Pin Header	
X.X	±0.30	X.X°	±3°	APPD: 核准:	XIE
X.XX	±0.30	X.XX°	±2°	CHECK: 校对:	WANG
X.XXX	±0.10	X.XXX°	±1°	DRAW: 绘图:	WANG
PART NO: 产品编号:		DATE		SCALE	UNIT
HDGC2005WR-XP		2017-06-20		5:1	mm
CODE NUMBER				A008	

修订 REV	标记 MARK	修改摘要 REVISION DESCRIPTION	签名 SIGNATURE	日期 DATE
A0		NEW RELEASE	WANG	2017-06-20

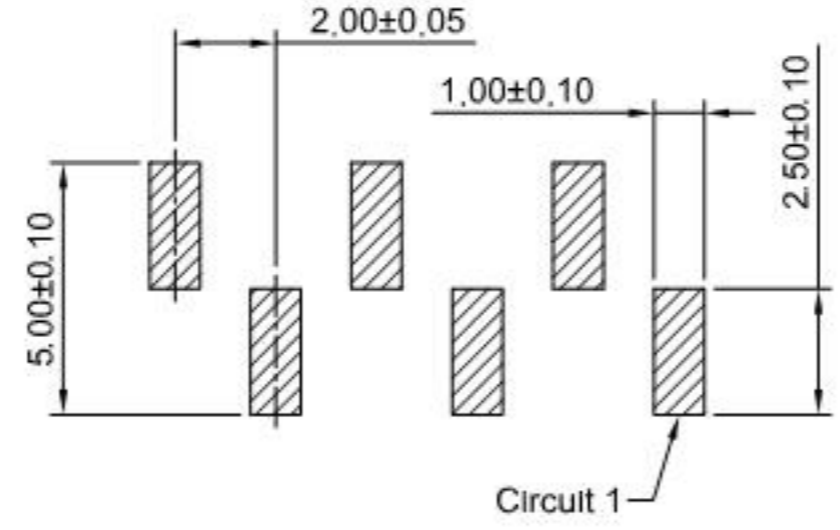
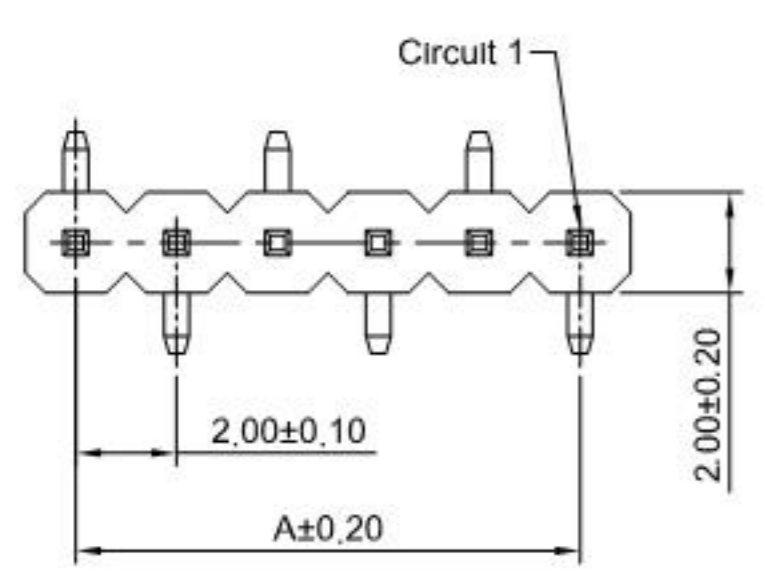
Ordering Information:  
 HDGC2005WV-S-XP-A - XX - XXX  
                                   1      2      3

1. Part No.
2. Type(H):  
 (blank): 2.00mm  
 15: 1.50mm
3. Size:  
 XXX: A+B+D

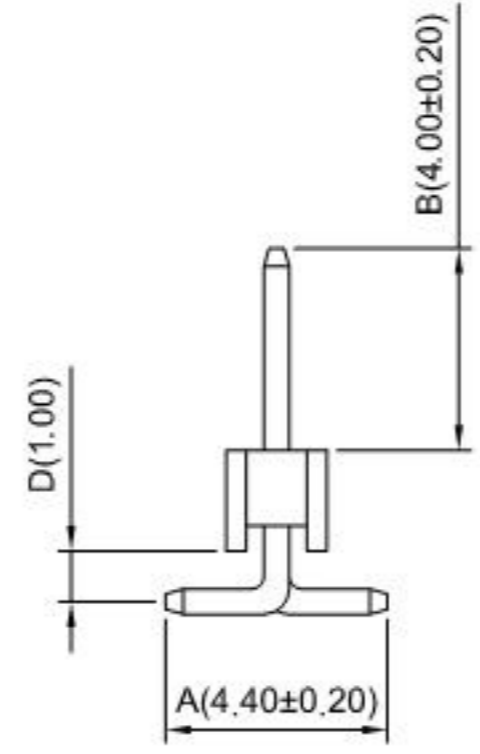
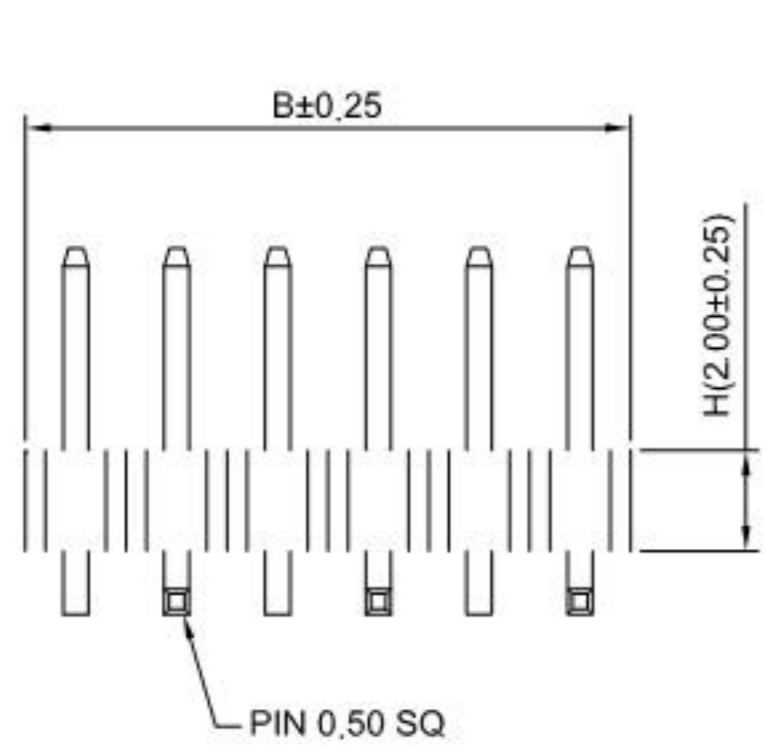
**SPECIFICATIONS:**  
 Current Rating: 2A AC,DC  
 Voltage Rating: 250V AC,DC  
 Temperature Range: -25°C ~ +85°C  
 Contact Resistance: 20mΩ Max.  
 Insulation Resistance: 1000MΩ Min.  
 Withstanding Voltage: 500V AC/minute  
 Pin Material: Brass/Gold over Nickel  
 Material: Nylon 6T, UL94V-0(Black)

Ordering Information & Dimensions

Circuits	Dim(mm)		Circuits	Dim(mm)		Circuits	Dim(mm)	
	A	B		A	B		A	B
2P	2.00	4.00	15P	28.00	30.00	28P	54.00	56.00
3P	4.00	6.00	16P	30.00	32.00	29P	56.00	58.00
4P	6.00	8.00	17P	32.00	34.00	30P	58.00	60.00
5P	8.00	10.00	18P	34.00	36.00	31P	60.00	62.00
6P	10.00	12.00	19P	36.00	38.00	32P	62.00	64.00
7P	12.00	14.00	20P	38.00	40.00	33P	64.00	66.00
8P	14.00	16.00	21P	40.00	42.00	34P	66.00	68.00
9P	16.00	18.00	22P	42.00	44.00	35P	68.00	70.00
10P	18.00	20.00	23P	44.00	46.00	36P	70.00	72.00
11P	20.00	22.00	24P	46.00	48.00	37P	72.00	74.00
12P	22.00	24.00	25P	48.00	50.00	38P	74.00	76.00
13P	24.00	26.00	26P	50.00	52.00	39P	76.00	78.00
14P	26.00	28.00	27P	52.00	54.00	40P	78.00	80.00



P.C.B LAYOUT



**HDGC** 深圳市华德共创科技有限公司  
 Shenzhen Huade co-create Technology Co., LTD  
 TEL: 0755-27129737 FAX: 0755-29940187

-TOLERANCES- UNLESS OTHERWISE SPECIFIED 公差参数表				TITLE: 2.00mm Pitch 产品名称: 180° Pin Header	
X.X	±0.30	X.X°	±3°	APPD: 核准:	XIE
X.XX	±0.30	X.XX°	±2°	CHECK: 校对:	WANG
X.XXX	±0.10	X.XXX°	±1°	DRAW: 绘图:	WANG
PART NO: 产品编号:		HDGC2005WV-S-XP-A		DATE	2017-06-20
SCALE		5:1	UNIT	mm	CODE NUMBER
A008					

修订 REV	标记 MARK	修改摘要 REVISION DESCRIPTION	签名 SIGNATURE	日期 DATE
A0		NEW RELEASE	WANG	2017-06-20

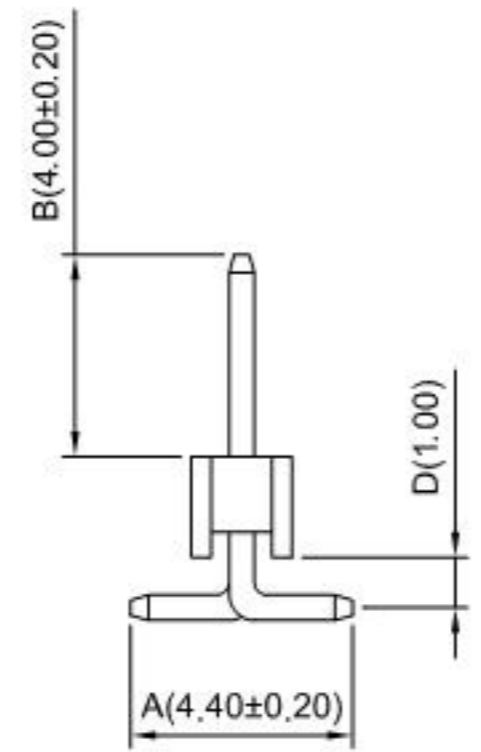
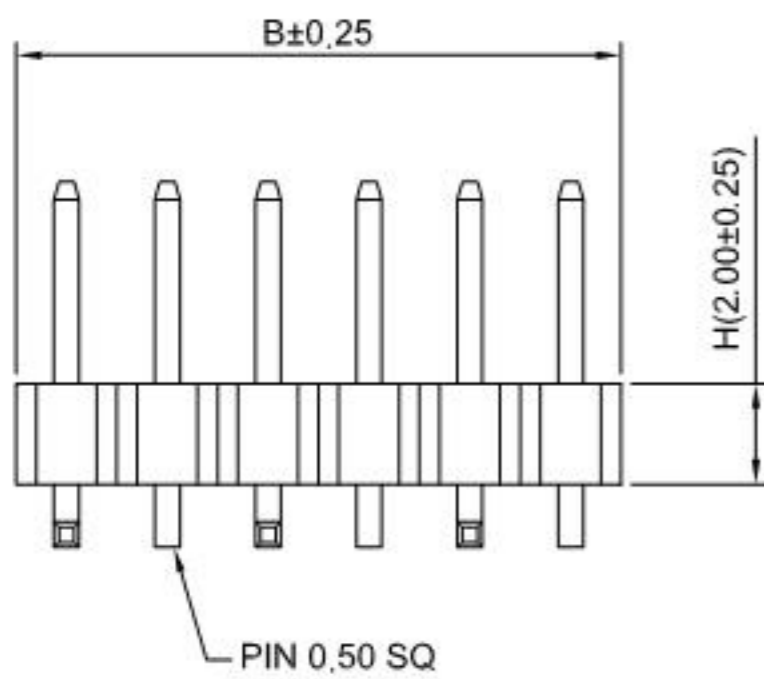
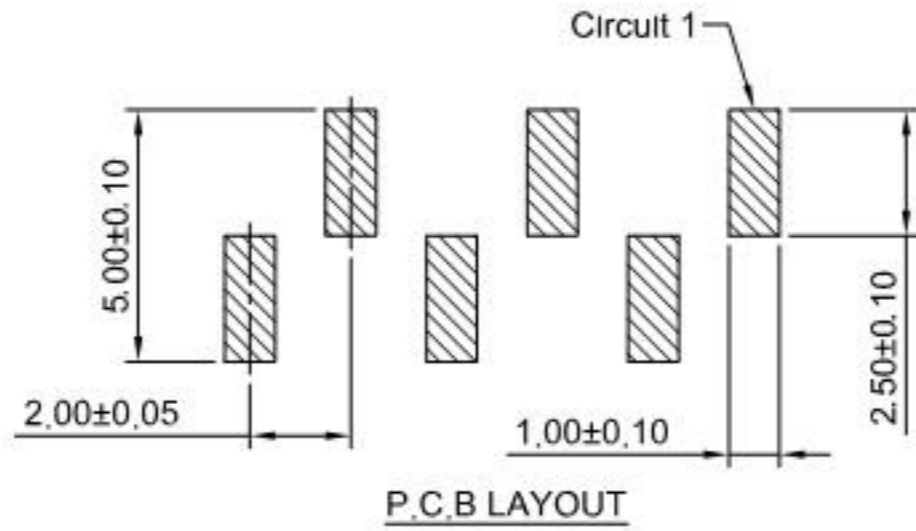
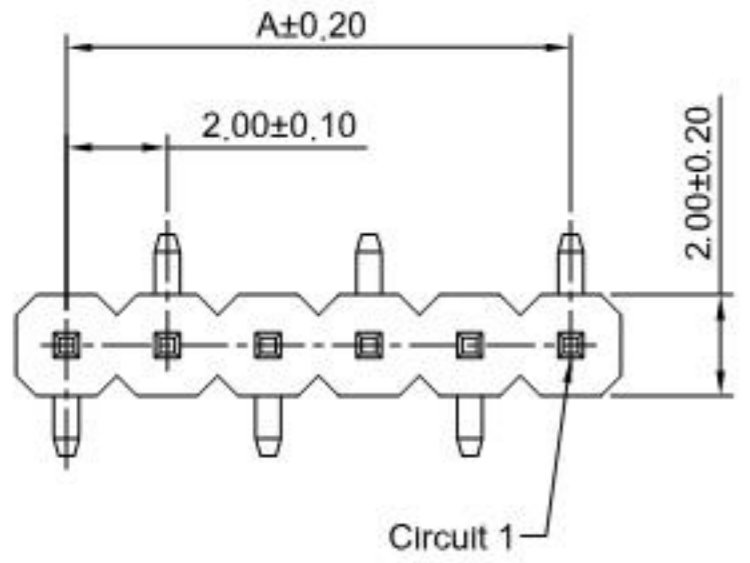
Ordering Information:  
**HDGC2005WV-S-XP-B-XX-XXX**  
 1 2 3

- 1.Part No.
- 2.Type(H):  
 (blank): 2.00mm  
 15: 1.50mm
- 3.Size:  
 XXX-A+B+D

**SPECIFICATIONS:**  
 Current Rating: 2A AC,DC  
 Voltage Rating: 250V AC,DC  
 Temperature Range: -25°C ~ +85°C  
 Contact Resistance: 20mΩ Max,  
 Insulation Resistance: 1000MΩ Min,  
 Withstanding Voltage: 500V AC/minute  
 Pin Material: Brass/Gold over Nickel  
 Material: Nylon 6T,UL94V-0(Black)

Ordering Information & Dimensions

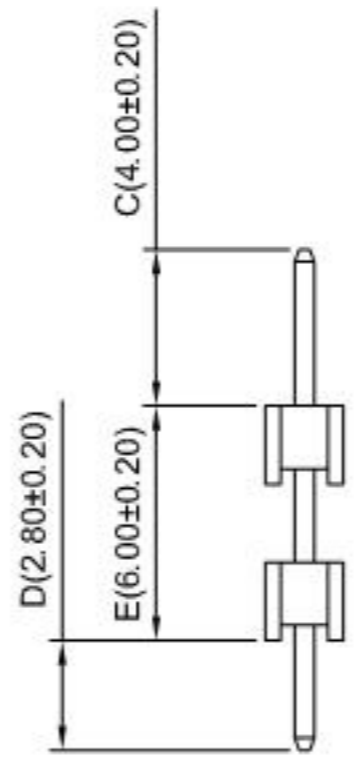
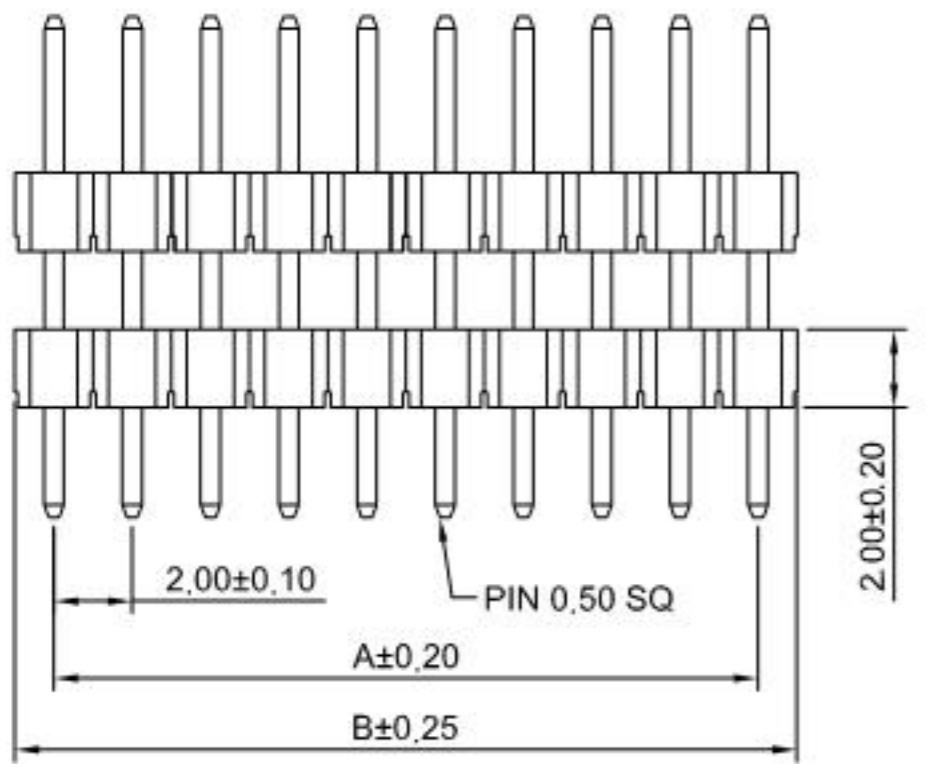
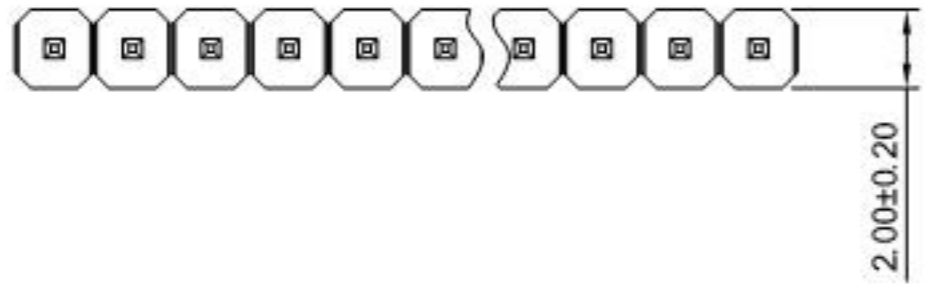
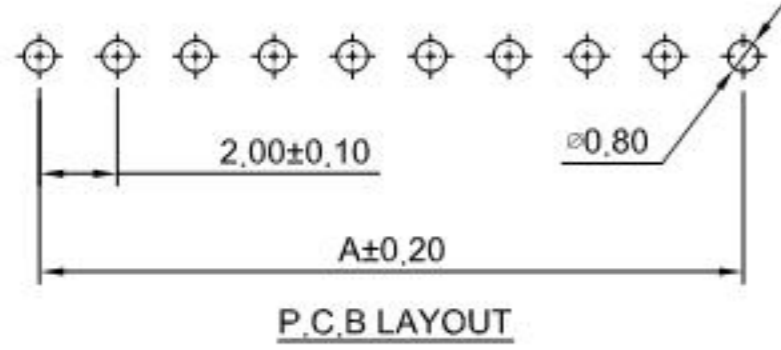
Circuits	Dim(mm)		Circuits	Dim(mm)		Circuits	Dim(mm)	
	A	B		A	B		A	B
2P	2.00	4.00	15P	28.00	30.00	28P	54.00	56.00
3P	4.00	6.00	16P	30.00	32.00	29P	56.00	58.00
4P	6.00	8.00	17P	32.00	34.00	30P	58.00	60.00
5P	8.00	10.00	18P	34.00	36.00	31P	60.00	62.00
6P	10.00	12.00	19P	36.00	38.00	32P	62.00	64.00
7P	12.00	14.00	20P	38.00	40.00	33P	64.00	66.00
8P	14.00	16.00	21P	40.00	42.00	34P	66.00	68.00
9P	16.00	18.00	22P	42.00	44.00	35P	68.00	70.00
10P	18.00	20.00	23P	44.00	46.00	36P	70.00	72.00
11P	20.00	22.00	24P	46.00	48.00	37P	72.00	74.00
12P	22.00	24.00	25P	48.00	50.00	38P	74.00	76.00
13P	24.00	26.00	26P	50.00	52.00	39P	76.00	78.00
14P	26.00	28.00	27P	52.00	54.00	40P	78.00	80.00



**HDGC** 深圳市华德共创科技有限公司  
 Shenzhen Huade co-create Technology Co., LTD  
 TEL: 0755-27129737 FAX: 0755-29940187

-TOLERANCES- UNLESS OTHERWISE SPECIFIED 公差参数表				TITLE: 2.00mm Pitch 产品名称: 180° Pin Header	
X.X	±0.30	X.X°	±3°	APPD: 核准:	XIE
X.XX	±0.30	X.XX°	±2°	CHECK: 校对:	WANG
X.XXX	±0.10	X.XXX°	±1°	DRAW: 绘图:	WANG
PART NO: 产品编号:		HDGC2005WV-S-XP-B		DATE	2017-06-20
SCALE		5:1		UNIT	mm
CODE NUMBER		A008			

修订 REV	标记 MARK	修改摘要 REVISION DESCRIPTION	签名 SIGNATURE	日期 DATE
A0		NEW RELEASE	WANG	2013-06-05



**SPECIFICATIONS:**

Current Rating: 2A AC,DC  
Voltage Rating: 250V AC,DC  
Temperature Range: -25°C ~ +85°C  
Contact Resistance: 20mΩ Max.  
Insulation Resistance: 1000MΩ Min.  
Withstanding Voltage: 500V AC/minute  
Pin Material: Brass/Gold over Nickel  
Material: Nylon 6T,UL94V-0(Black)

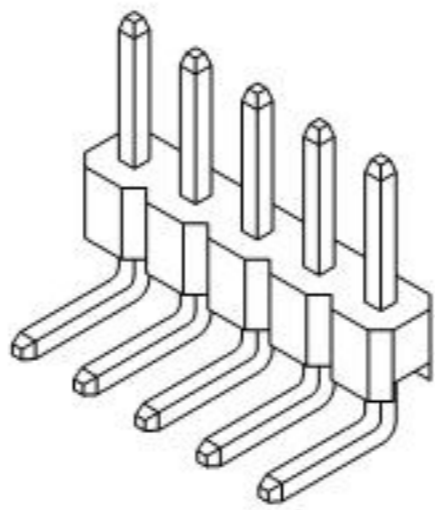
**Ordering Information & Dimensions**

Circuits	Dim(mm)		Circuits	Dim(mm)		Circuits	Dim(mm)	
	A	B		A	B		A	B
2P	2.00	4.00	15P	28.00	30.00	28P	54.00	56.00
3P	4.00	6.00	16P	30.00	32.00	29P	56.00	58.00
4P	6.00	8.00	17P	32.00	34.00	30P	58.00	60.00
5P	8.00	10.00	18P	34.00	36.00	31P	60.00	62.00
6P	10.00	12.00	19P	36.00	38.00	32P	62.00	64.00
7P	12.00	14.00	20P	38.00	40.00	33P	64.00	66.00
8P	14.00	16.00	21P	40.00	42.00	34P	66.00	68.00
9P	16.00	18.00	22P	42.00	44.00	35P	68.00	70.00
10P	18.00	20.00	23P	44.00	46.00	36P	70.00	72.00
11P	20.00	22.00	24P	46.00	48.00	37P	72.00	74.00
12P	22.00	24.00	25P	48.00	50.00	38P	74.00	76.00
13P	24.00	26.00	26P	50.00	52.00	39P	76.00	78.00
14P	26.00	28.00	27P	52.00	54.00	40P	78.00	80.00

**HDGC** 深圳市华德共创科技有限公司  
Shenzhen Huade co-create Technology Co., LTD  
TEL: 0755-27129737 FAX: 0755-29940187

-TOLERANCES- UNLESS OTHERWISE SPECIFIED 公差参数表						TITLE: 2.00mm Pitch 产品名称: 180° Pin Header			
X.X	±0.30	X.X°	±3°	APPD: 核准:	XIE	PART NO: 产品编号: HDGC2005WVA-XP			
X.XX	±0.30	X.XX°	±2°	CHECK: 校对:	WANG	DATE	SCALE	UNIT	CODE NUMBER
X.XXX	±0.10	X.XXX°	±1°	DRAW: 绘图:	WANG	2013-06-05	4:1	mm	A008

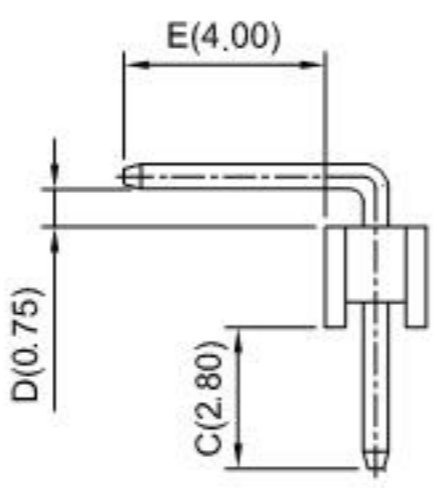
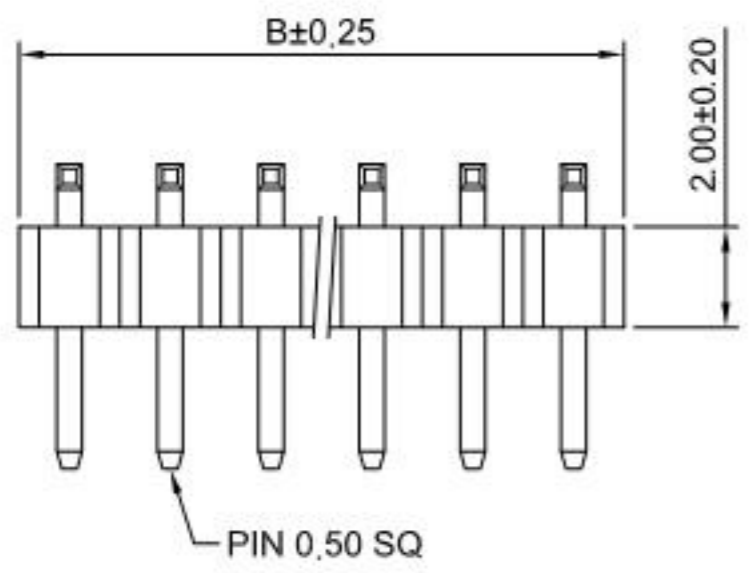
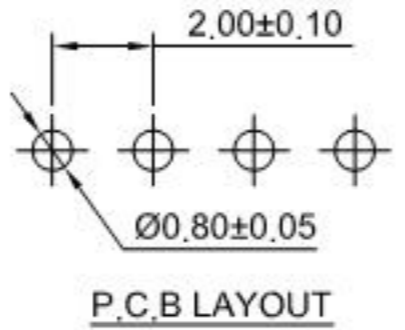
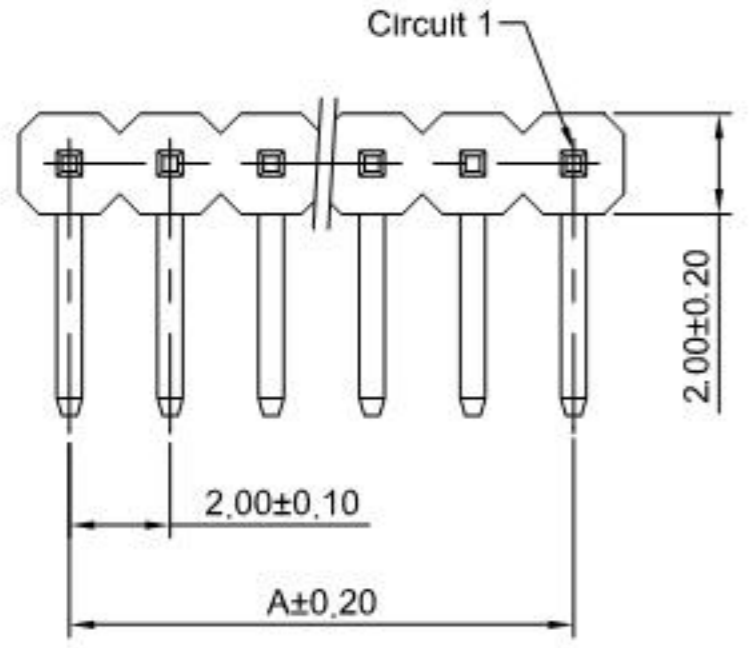
修订 REV	标记 MARK	修改摘要 REVISION DESCRIPTION	签名 SIGNATURE	日期 DATE
A0		NEW RELEASE	WANG	2013-06-05



**SPECIFICATIONS:**  
 Current Rating: 2A AC,DC  
 Voltage Rating: 250V AC,DC  
 Temperature Range: -25°C ~ +85°C  
 Contact Resistance: 20mΩ Max.  
 Insulation Resistance: 1000MΩ Min.  
 Withstanding Voltage: 500V AC/minute  
 Pin Material: Brass/Gold over Nickel  
 Material: PBT+30%GF,UL94V-0(Black)

**Ordering Information & Dimensions**

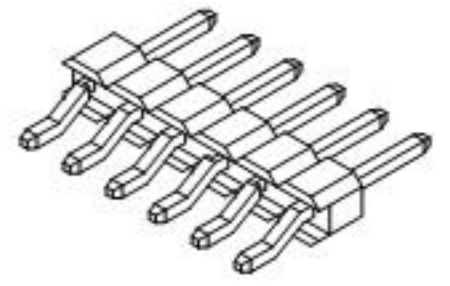
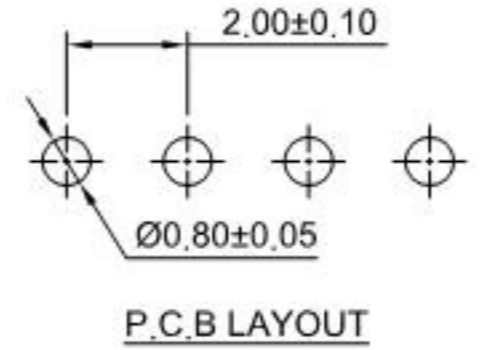
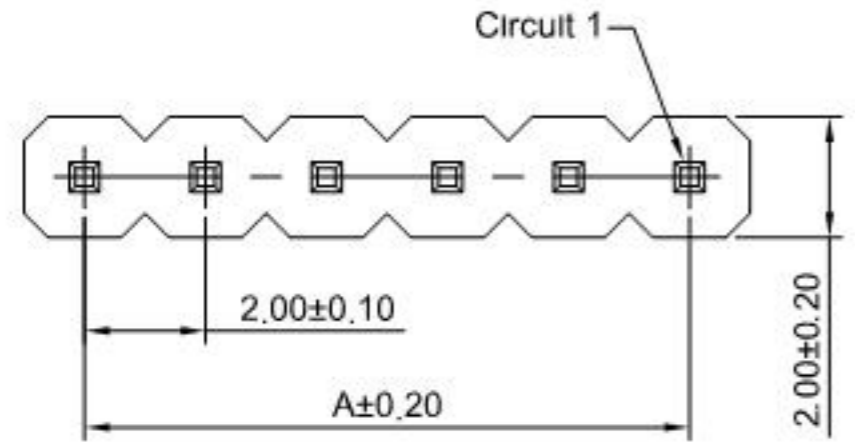
Circuits	Dim(mm)		Circuits	Dim(mm)		Circuits	Dim(mm)	
	A	B		A	B		A	B
2P	2.00	4.00	15P	28.00	30.00	28P	54.00	56.00
3P	4.00	6.00	16P	30.00	32.00	29P	56.00	58.00
4P	6.00	8.00	17P	32.00	34.00	30P	58.00	60.00
5P	8.00	10.00	18P	34.00	36.00	31P	60.00	62.00
6P	10.00	12.00	19P	36.00	38.00	32P	62.00	64.00
7P	12.00	14.00	20P	38.00	40.00	33P	64.00	66.00
8P	14.00	16.00	21P	40.00	42.00	34P	66.00	68.00
9P	16.00	18.00	22P	42.00	44.00	35P	68.00	70.00
10P	18.00	20.00	23P	44.00	46.00	36P	70.00	72.00
11P	20.00	22.00	24P	46.00	48.00	37P	72.00	74.00
12P	22.00	24.00	25P	48.00	50.00	38P	74.00	76.00
13P	24.00	26.00	26P	50.00	52.00	39P	76.00	78.00
14P	26.00	28.00	27P	52.00	54.00	40P	78.00	80.00



**HDGC** 深圳市华德共创科技有限公司  
 Shenzhen Huade co-create Technology Co., LTD  
 TEL: 0755-27129737 FAX: 0755-29940187

-TOLERANCES- UNLESS OTHERWISE SPECIFIED 公差参数表				TITLE: 2.00mm Pitch 产品名称: 90° Pin Header	
X.X	±0.30	X.X°	±3°	APPD: 核准:	XIE
X.XX	±0.30	X.XX°	±2°	CHECK: 校对:	WANG
X.XXX	±0.10	X.XXX°	±1°	DRAW: 绘图:	WANG
PART NO: 产品编号:		HDGC2005WRA-XP		DATE	2013-06-05
SCALE		5:1		UNIT	mm
CODE NUMBER		A008			

修订 REV	标记 MARK	修改摘要 REVISION DESCRIPTION	签名 SIGNATURE	日期 DATE
A0		NEW RELEASE	WANG	2013-06-05

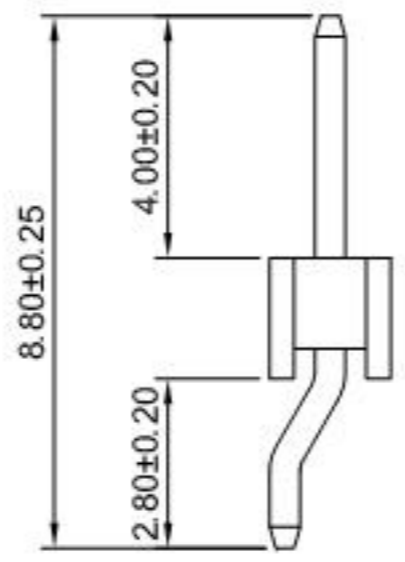
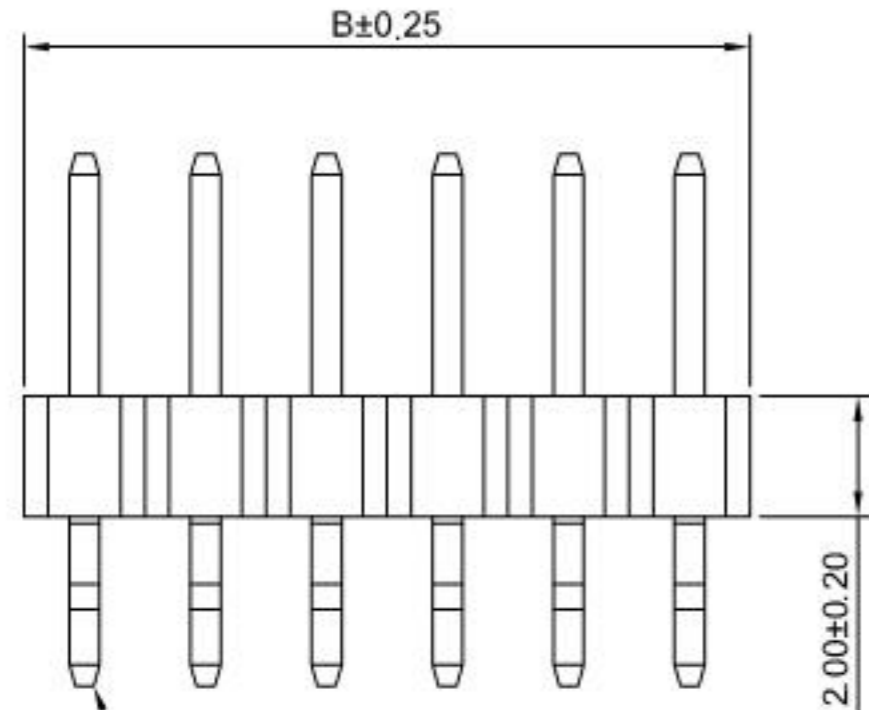


**SPECIFICATIONS:**

Current Rating: 2A AC,DC  
Voltage Rating: 250V AC,DC  
Temperature Range: -25°C ~ +85°C  
Contact Resistance: 20mΩ Max.  
Insulation Resistance: 1000MΩ Min.  
Withstanding Voltage: 500V AC/minute  
Pin Material: Brass/Gold over Nickel  
Material: Nylon 6T,UL94V-0(Black)

**Ordering Information & Dimensions**

Circuits	Dim(mm)		Circuits	Dim(mm)		Circuits	Dim(mm)	
	A	B		A	B		A	B
2P	2.00	4.00	15P	28.00	30.00	28P	54.00	56.00
3P	4.00	6.00	16P	30.00	32.00	29P	56.00	58.00
4P	6.00	8.00	17P	32.00	34.00	30P	58.00	60.00
5P	8.00	10.00	18P	34.00	36.00	31P	60.00	62.00
6P	10.00	12.00	19P	36.00	38.00	32P	62.00	64.00
7P	12.00	14.00	20P	38.00	40.00	33P	64.00	66.00
8P	14.00	16.00	21P	40.00	42.00	34P	66.00	68.00
9P	16.00	18.00	22P	42.00	44.00	35P	68.00	70.00
10P	18.00	20.00	23P	44.00	46.00	36P	70.00	72.00
11P	20.00	22.00	24P	46.00	48.00	37P	72.00	74.00
12P	22.00	24.00	25P	48.00	50.00	38P	74.00	76.00
13P	24.00	26.00	26P	50.00	52.00	39P	76.00	78.00
14P	26.00	28.00	27P	52.00	54.00	40P	78.00	80.00



**HDGC** 深圳市华德共创科技有限公司  
Shenzhen Huade co-create Technology Co., LTD  
TEL: 0755-27129737 FAX: 0755-29940187

-TOLERANCES- UNLESS OTHERWISE SPECIFIED 公差参数表				TITLE: 2.00mm Pitch 产品名称: 90° Pin Header	
X.X	±0.30	X.X°	±3°	APPD: 核准:	XIE
X.XX	±0.30	X.XX°	±2°	CHECK: 校对:	WANG
X.XXX	±0.10	X.XXX°	±1°	DRAW: 绘图:	WANG
PART NO: 产品编号:		HDGC2005WR-S-XP		DATE	2013-06-05
SCALE		6:1	UNIT	mm	CODE NUMBER
A008					

修订 REV	标记 MARK	修改摘要 REVISION DESCRIPTION	签名 SIGNATURE	日期 DATE
A0		NEW RELEASE	WANG	2017-11-20

Ordering Information:  
 HDGC2005WVA-XP-R -  $\frac{???}{1}$  -  $\frac{???}{2}$  -  $\frac{???}{3}$

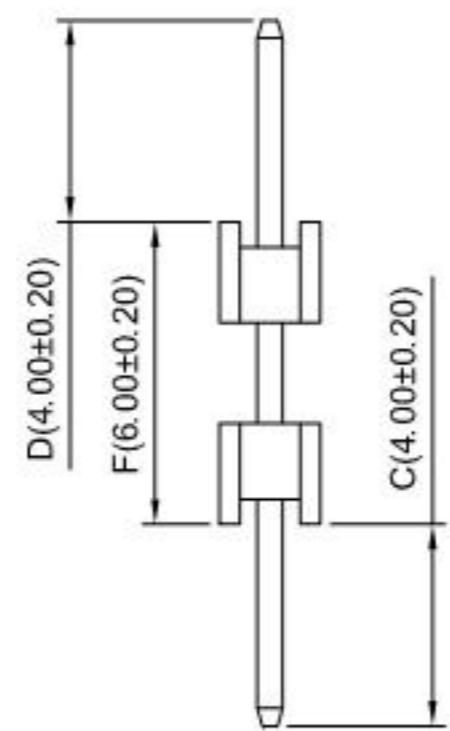
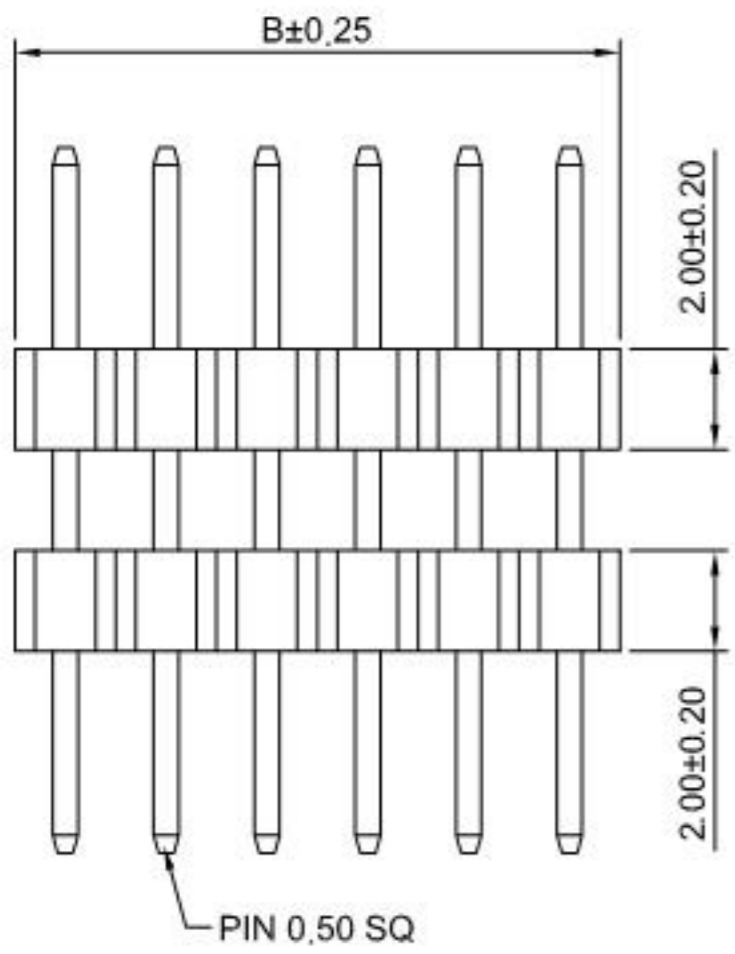
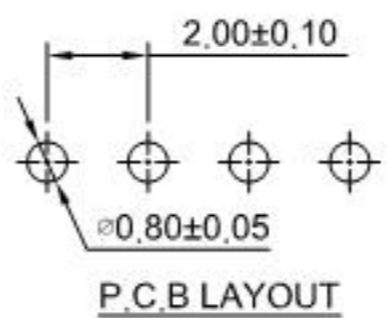
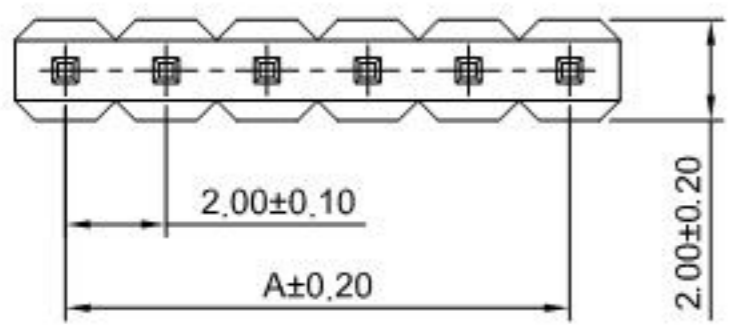
- 1, Part No.
- 2, Finish:  
 (Blank): Gold over Nickel  
 T: Tin over Nickel
- 3, Material:  
 (Blank): Nylon 6T, UL94V-0  
 GWT: Nylon 6T, UL94V-0 GWT 750 °C

**SPECIFICATIONS:**

Current Rating: 2A AC,DC  
 Voltage Rating: 250V AC,DC  
 Temperature Range: -25°C ~ +85°C  
 Contact Resistance: 20mΩ Max.  
 Insulation Resistance: 1000MΩ Min.  
 Withstanding Voltage: 500V AC/minute  
 Pin Material: Brass/Gold over Nickel  
 Material: Nylon 6T, UL94V-0(Black)

**Ordering Information & Dimensions**

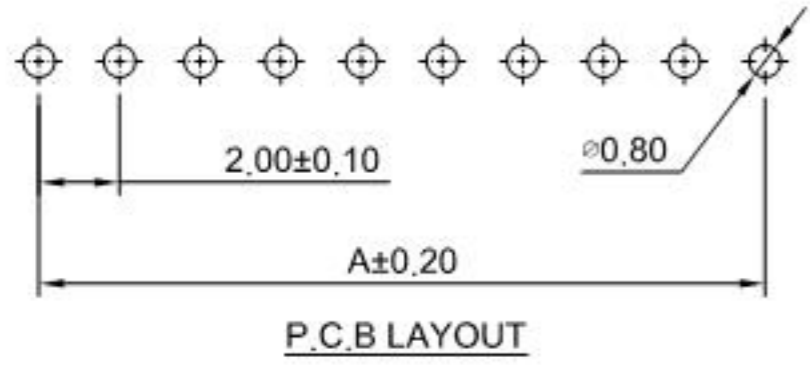
Circuits	Dim(mm)		Circuits	Dim(mm)		Circuits	Dim(mm)	
	A	B		A	B		A	B
2P	2,00	4,00	15P	28,00	30,00	28P	54,00	56,00
3P	4,00	6,00	16P	30,00	32,00	29P	56,00	58,00
4P	6,00	8,00	17P	32,00	34,00	30P	58,00	60,00
5P	8,00	10,00	18P	34,00	36,00	31P	60,00	62,00
6P	10,00	12,00	19P	36,00	38,00	32P	62,00	64,00
7P	12,00	14,00	20P	38,00	40,00	33P	64,00	66,00
8P	14,00	16,00	21P	40,00	42,00	34P	66,00	68,00
9P	16,00	18,00	22P	42,00	44,00	35P	68,00	70,00
10P	18,00	20,00	23P	44,00	46,00	36P	70,00	72,00
11P	20,00	22,00	24P	46,00	48,00	37P	72,00	74,00
12P	22,00	24,00	25P	48,00	50,00	38P	74,00	76,00
13P	24,00	26,00	26P	50,00	52,00	39P	76,00	78,00
14P	26,00	28,00	27P	52,00	54,00	40P	78,00	80,00



**HDGC** 深圳市华德共创科技有限公司  
 Shenzhen Huade co-create Technology Co., LTD  
 TEL: 0755-27129737 FAX: 0755-29940187

-TOLERANCES- UNLESS OTHERWISE SPECIFIED 公差参数表				TITLE: 2.00mm Pitch 产品名称: 180° Pin Header	
X.X	±0.30	X.X°	±3°	APPD: 核准:	XIE
X.XX	±0.30	X.XX°	±2°	CHECK: 校对:	WANG
X.XXX	±0.10	X.XXX°	±1°	DRAW: 绘图:	WANG
PART NO: 产品编号:		HDGC2005WVA-XP-R		DATE	2017-11-20
SCALE		5:1	UNIT	mm	CODE NUMBER
A008					

修订 REV	标记 MARK	修改摘要 REVISION DESCRIPTION	签名 SIGNATURE	日期 DATE
A0		NEW RELEASE	WANG	2017-11-20



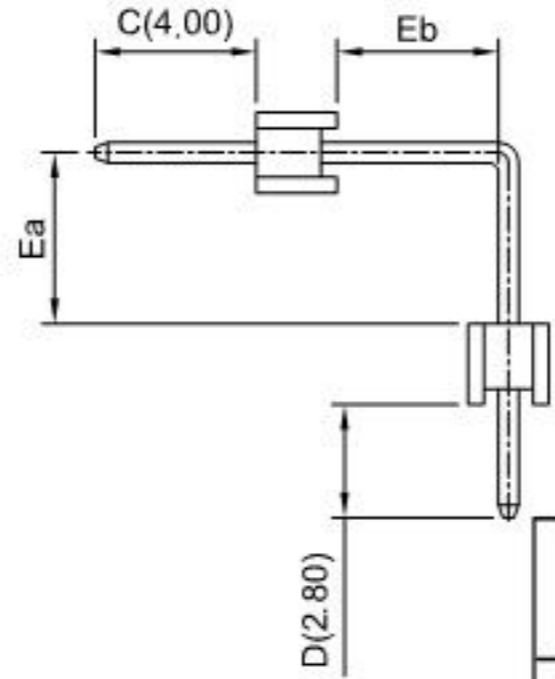
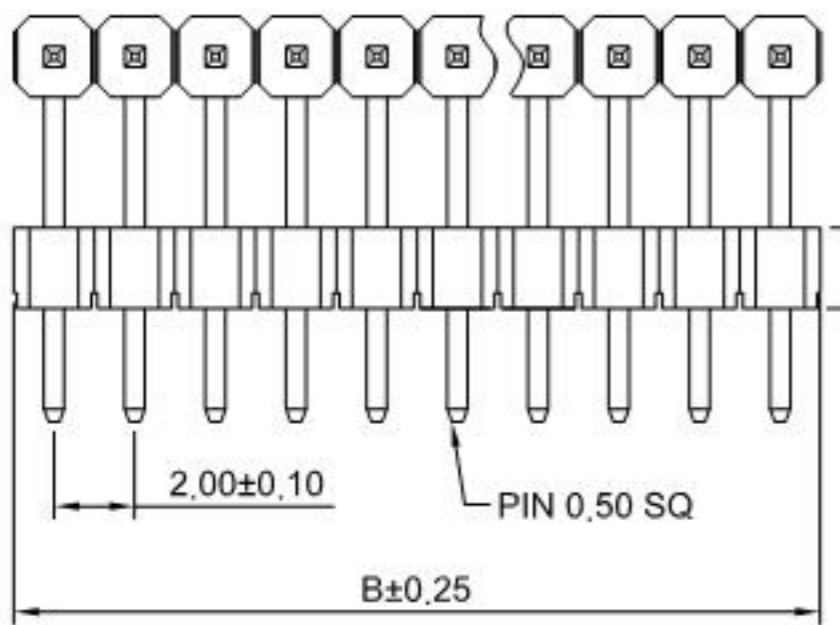
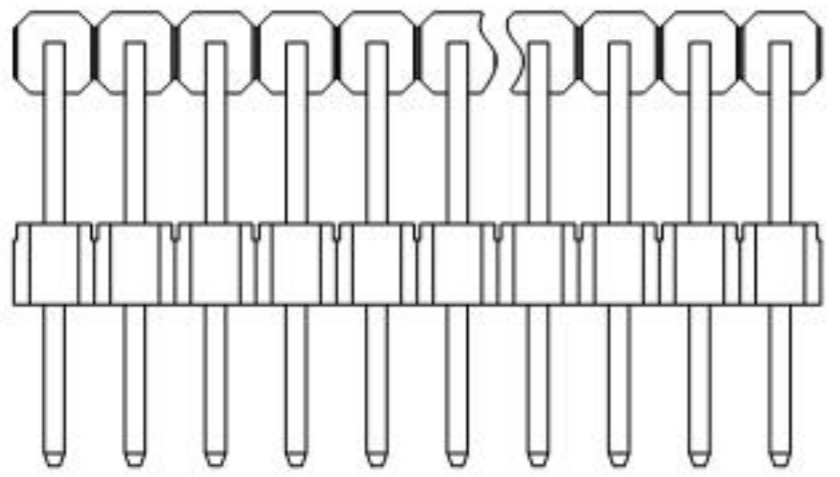
Ordering Information:  
 HDGC2005WRD-XP - <sup>???</sup>/<sub>1</sub> - <sup>???</sup>/<sub>2</sub> - <sup>???</sup>/<sub>3</sub>

- Part No.
- Type(H):  
 (Blank) : 2.00mm  
 H15 : 1.50mm
- Material:  
 (Blank):Nylon 6T,UL94V-0  
 GWT :Nylon 6T,UL94V-0 GWT 750°C

**SPECIFICATIONS:**  
 Current Rating: 2A AC,DC  
 Voltage Rating: 250V AC,DC  
 Temperature Range: -25°C ~ +85°C  
 Contact Resistance: 20mΩ Max.  
 Insulation Resistance: 1000MΩ Min.  
 Withstanding Voltage: 500V AC/minute  
 Pin Material: Brass/Gold over Nickel  
 Material: Nylon 6T,UL94V-0(Black)

Ordering Information & Dimensions

Circuits	Dim(mm)		Circuits	Dim(mm)		Circuits	Dim(mm)	
	A	B		A	B		A	B
2P	2.00	4.00	15P	28.00	30.00	28P	54.00	56.00
3P	4.00	6.00	16P	30.00	32.00	29P	56.00	58.00
4P	6.00	8.00	17P	32.00	34.00	30P	58.00	60.00
5P	8.00	10.00	18P	34.00	36.00	31P	60.00	62.00
6P	10.00	12.00	19P	36.00	38.00	32P	62.00	64.00
7P	12.00	14.00	20P	38.00	40.00	33P	64.00	66.00
8P	14.00	16.00	21P	40.00	42.00	34P	66.00	68.00
9P	16.00	18.00	22P	42.00	44.00	35P	68.00	70.00
10P	18.00	20.00	23P	44.00	46.00	36P	70.00	72.00
11P	20.00	22.00	24P	46.00	48.00	37P	72.00	74.00
12P	22.00	24.00	25P	48.00	50.00	38P	74.00	76.00
13P	24.00	26.00	26P	50.00	52.00	39P	76.00	78.00
14P	26.00	28.00	27P	52.00	54.00	40P	78.00	80.00



**深圳市华德共创科技有限公司**  
 Shenzhen Huade co-create Technology Co., LTD  
 TEL: 0755-27129737 FAX: 0755-29940187

-TOLERANCES- UNLESS OTHERWISE SPECIFIED 公差参数表			TITLE: 2.00mm Pitch 产品名称: 90° Pin Header	
X.X	±0.30	X.X°	±3°	APPD: 核准: XIE
X.XX	±0.30	X.XX°	±2°	CHECK: 校对: WANG
X.XXX	±0.10	X.XXX°	±1°	DRAW: 绘图: WANG
		DATE	SCALE	UNIT
		2017-11-20	4:1	mm
		CODE NUMBER	A008	

修订 REV	标记 MARK	修改摘要 REVISION DESCRIPTION	签名 SIGNATURE	日期 DATE
A0		NEW RELEASE	WANG	2017-11-20

Ordering Information:  
 HDGC2005WRD-XP-R - <sup>\*\*\*</sup>/<sub>2</sub> - <sup>\*\*</sup>/<sub>3</sub>

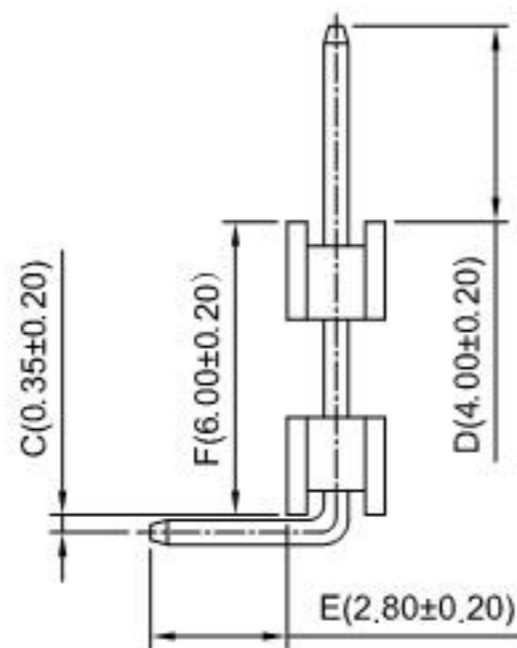
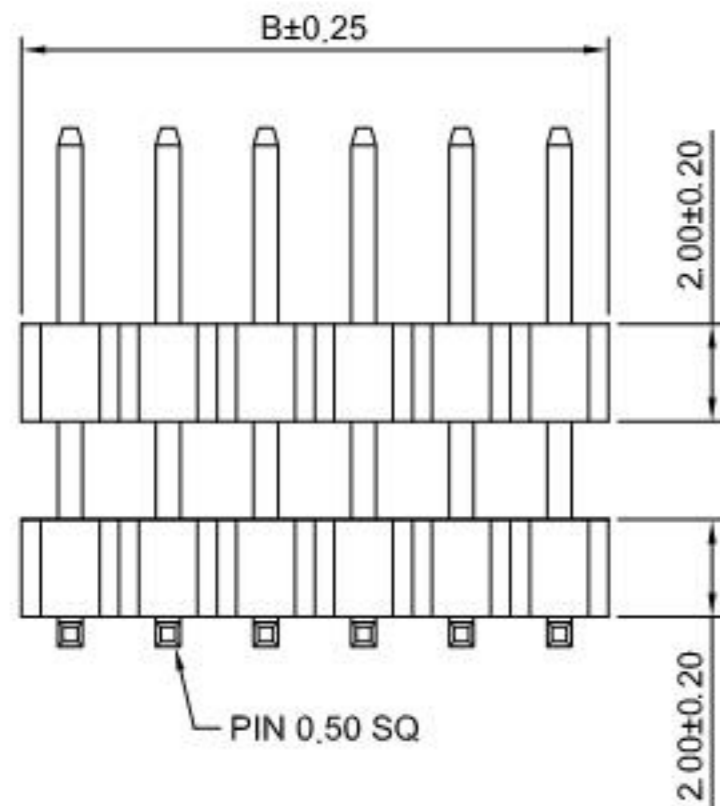
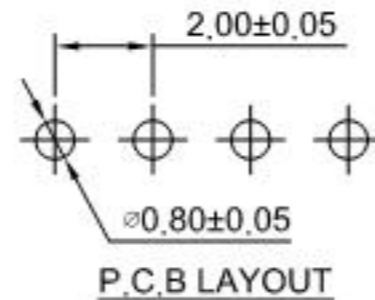
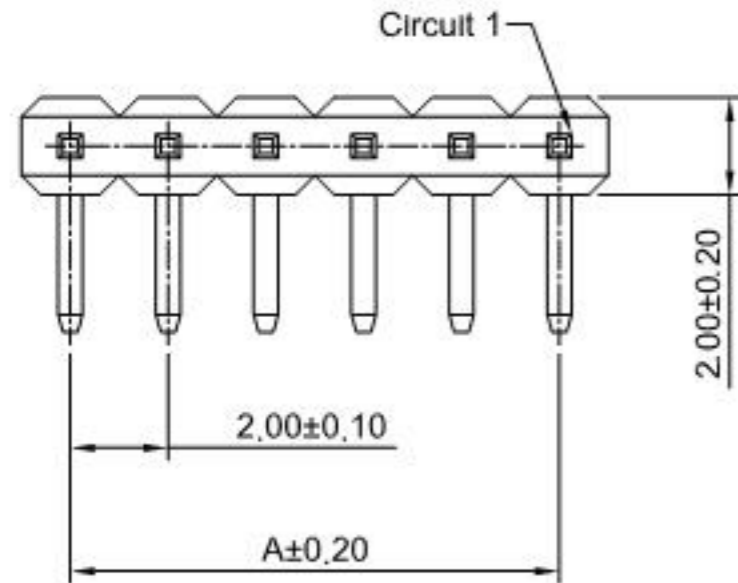
- 1.Part No.
- 2.Material:  
 (Blank):Nylon 6T,UL94V-0  
 GWT:Nylon 6T,UL94V-0,GWT 750℃
- 3.Finish:  
 (Blank):Gold over Nickel  
 T: Tin over Nickel

**SPECIFICATIONS:**

Current Rating: 2A AC,DC  
 Voltage Rating: 250V AC,DC  
 Temperature Range: -25°C ~ +85°C  
 Contact Resistance: 20mΩ Max.  
 Insulation Resistance: 1000MΩ Min.  
 Withstanding Voltage: 500V AC/minute  
 Pin Material: Brass/Gold over Nickel  
 Material: Nylon 6T,UL94V-0(Black)

Ordering Information & Dimensions

Circuits	Dim(mm)		Circuits	Dim(mm)		Circuits	Dim(mm)	
	A	B		A	B		A	B
2P	2.00	4.00	15P	28.00	30.00	28P	54.00	56.00
3P	4.00	6.00	16P	30.00	32.00	29P	56.00	58.00
4P	6.00	8.00	17P	32.00	34.00	30P	58.00	60.00
5P	8.00	10.00	18P	34.00	36.00	31P	60.00	62.00
6P	10.00	12.00	19P	36.00	38.00	32P	62.00	64.00
7P	12.00	14.00	20P	38.00	40.00	33P	64.00	66.00
8P	14.00	16.00	21P	40.00	42.00	34P	66.00	68.00
9P	16.00	18.00	22P	42.00	44.00	35P	68.00	70.00
10P	18.00	20.00	23P	44.00	46.00	36P	70.00	72.00
11P	20.00	22.00	24P	46.00	48.00	37P	72.00	74.00
12P	22.00	24.00	25P	48.00	50.00	38P	74.00	76.00
13P	24.00	26.00	26P	50.00	52.00	39P	76.00	78.00
14P	26.00	28.00	27P	52.00	54.00	40P	78.00	80.00



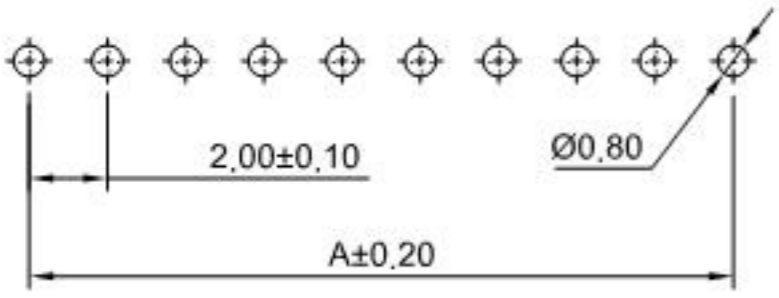
深圳市华德共创科技有限公司

Shenzhen Huade co-create Technology Co., LTD

TEL: 0755-27129737 FAX: 0755-29940187

-TOLERANCES- UNLESS OTHERWISE SPECIFIED 公差参数表				TITLE: 2.00mm Pitch 产品名称: 90° Pin Header	
X.X	±0.30	X.X°	±3°	APPD: 核准:	XIE
X.XX	±0.30	X.XX°	±2°	CHECK: 校对:	WANG
X.XXX	±0.10	X.XXX°	±1°	DRAW: 绘图:	WANG
PART NO: 产品编号:		HDGC2005WRD-XP-R		DATE	SCALE
DATE		2017-11-20	SCALE	5:1	UNIT
CODE NUMBER		A008		mm	

修订 REV	标记 MARK	修改摘要 REVISION DESCRIPTION	签名 SIGNATURE	日期 DATE
A0		NEW RELEASE	WANG	2017-11-20



P.C.B LAYOUT

Ordering Information:  
 HDGC2005WRE-XP -  $\frac{***}{1}$  -  $\frac{***}{2}$  -  $\frac{***}{3}$

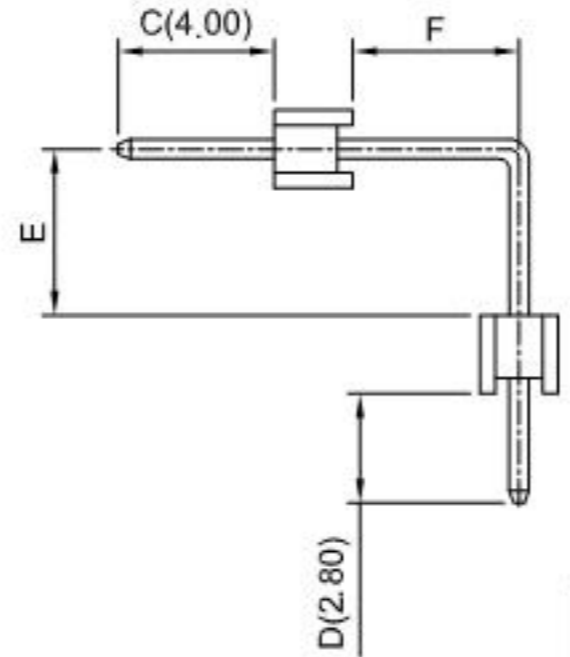
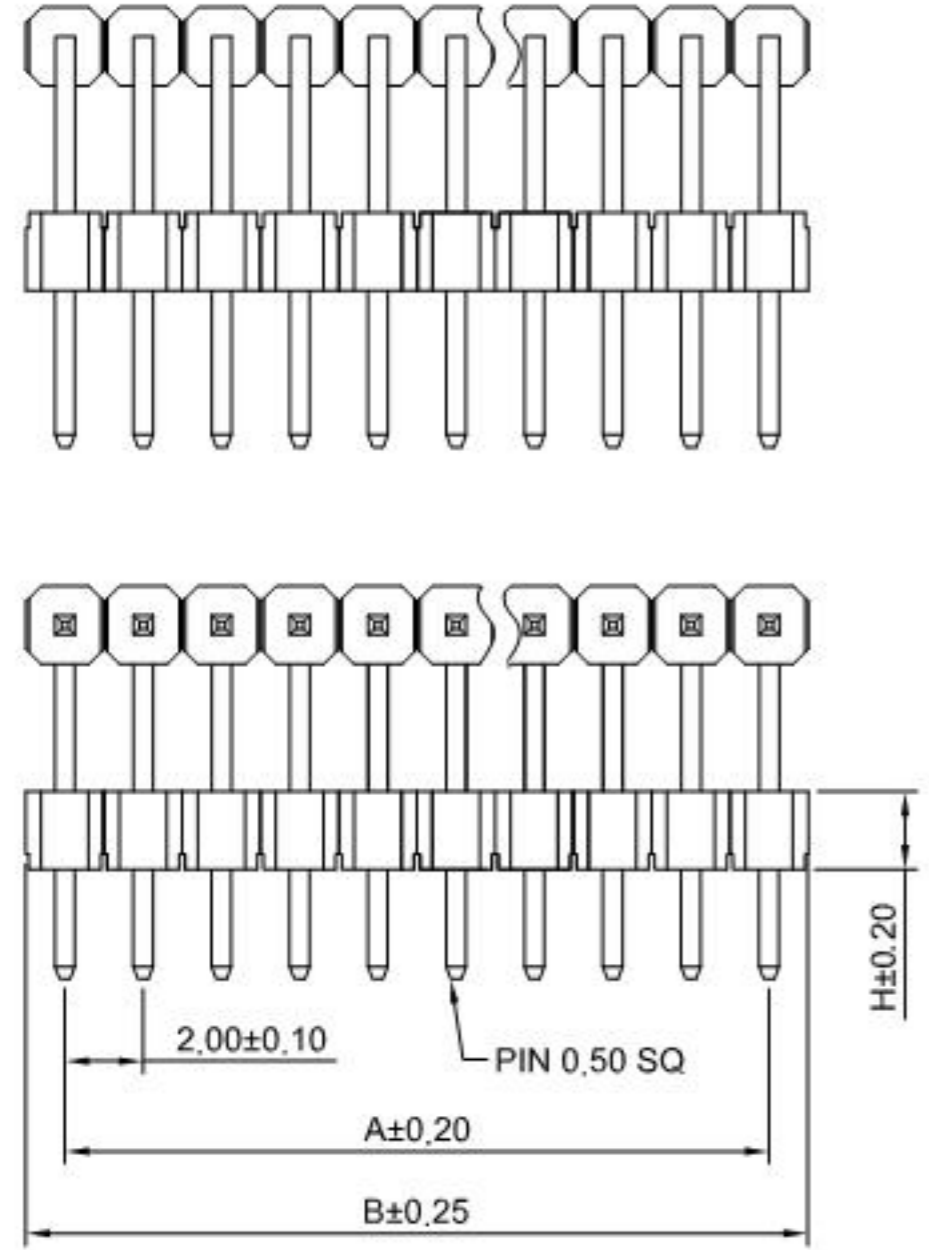
- 1.Part No.
- 2.Type(H):  
 (Blank):2.00mm  
 H15:1.50mm
- 3.Material:  
 (Blank):Nylon 6T,UL94V-0  
 GWT:Nylon 6T,UL94V-0,GWT 750°C

SPECIFICATIONS:

Current Rating: 2A AC,DC  
 Voltage Rating: 250V AC,DC  
 Temperature Range: -25°C ~ +85°C  
 Contact Resistance: 20mΩ Max.  
 Insulation Resistance: 1000MΩ Min.  
 Withstanding Voltage: 500V AC/minute  
 Pin Material: Brass/Gold over Nickel  
 Material: Nylon 6T,UL94V-0(Black)

Ordering Information & Dimensions

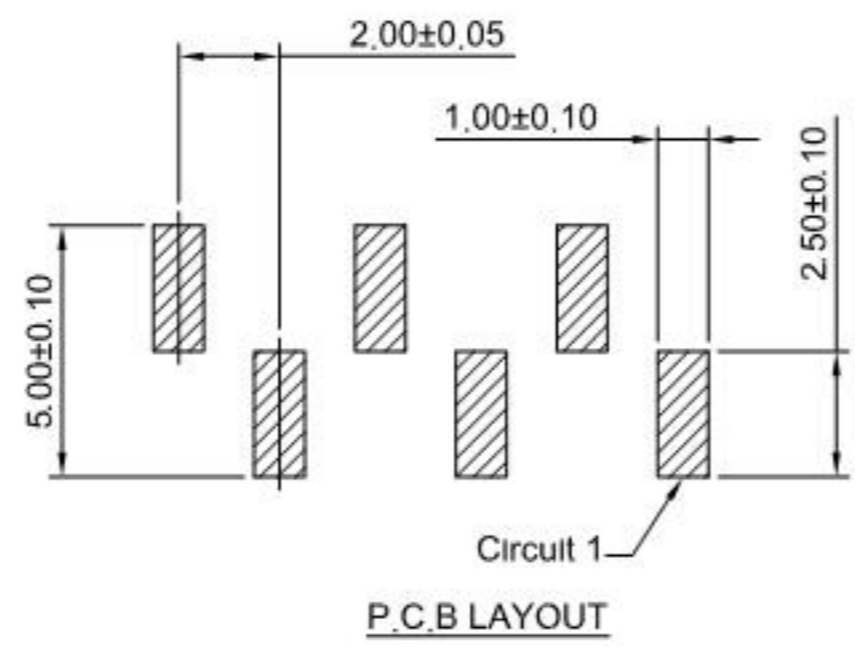
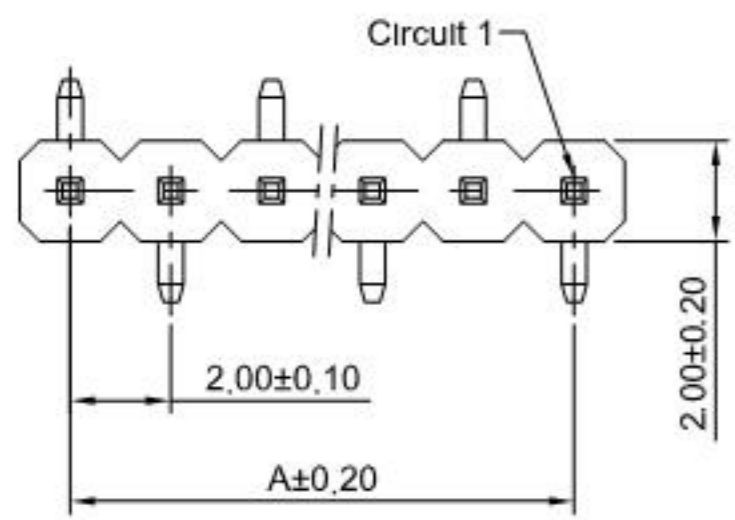
Circuits	Dim(mm)		Circuits	Dim(mm)		Circuits	Dim(mm)	
	A	B		A	B		A	B
2P	2.00	4.00	15P	28.00	30.00	28P	54.00	56.00
3P	4.00	6.00	16P	30.00	32.00	29P	56.00	58.00
4P	6.00	8.00	17P	32.00	34.00	30P	58.00	60.00
5P	8.00	10.00	18P	34.00	36.00	31P	60.00	62.00
6P	10.00	12.00	19P	36.00	38.00	32P	62.00	64.00
7P	12.00	14.00	20P	38.00	40.00	33P	64.00	66.00
8P	14.00	16.00	21P	40.00	42.00	34P	66.00	68.00
9P	16.00	18.00	22P	42.00	44.00	35P	68.00	70.00
10P	18.00	20.00	23P	44.00	46.00	36P	70.00	72.00
11P	20.00	22.00	24P	46.00	48.00	37P	72.00	74.00
12P	22.00	24.00	25P	48.00	50.00	38P	74.00	76.00
13P	24.00	26.00	26P	50.00	52.00	39P	76.00	78.00
14P	26.00	28.00	27P	52.00	54.00	40P	78.00	80.00



**HDGC** 深圳市华德共创科技有限公司  
 Shenzhen Huade co-create Technology Co., LTD  
 TEL: 0755-27129737 FAX: 0755-29940187

-TOLERANCES- UNLESS OTHERWISE SPECIFIED 公差参数表				TITLE: 2.00mm Pitch 产品名称: 90° Pin Header	
X.X	±0.30	X.X°	±3°	APPD: 核准:	XIE
X.XX	±0.30	X.XX°	±2°	CHECK: 校对:	WANG
X.XXX	±0.10	X.XXX°	±1°	DRAW: 绘图:	WANG
PART NO: 产品编号:			HDGC2005WRE-XP	DATE	2017-11-20
SCALE			4:1	UNIT	mm
CODE NUMBER			A008		

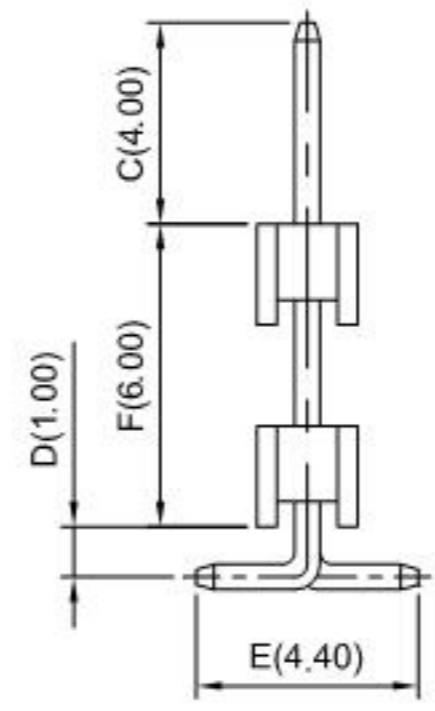
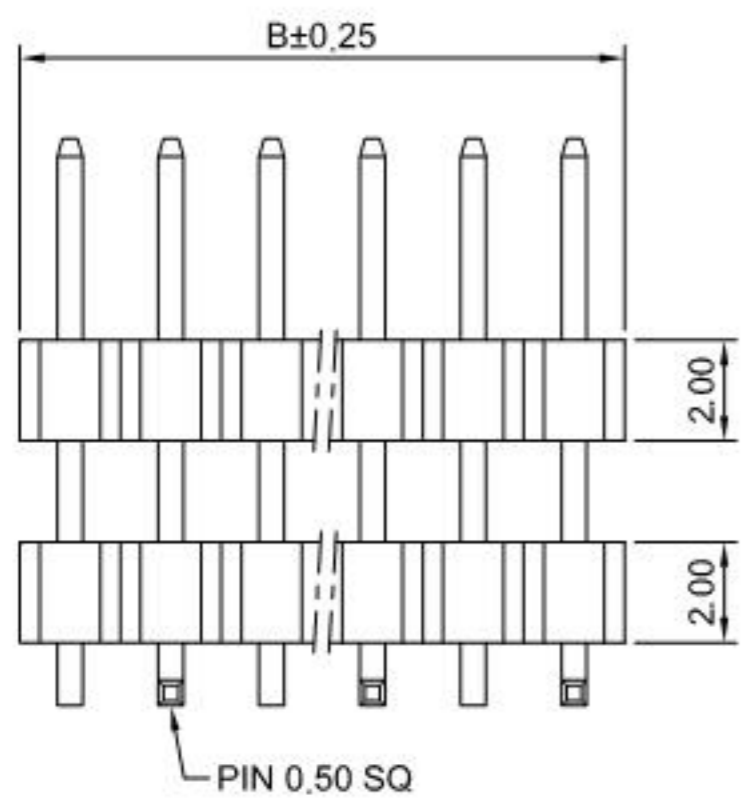
修订 REV	标记 MARK	修改摘要 REVISION DESCRIPTION	签名 SIGNATURE	日期 DATE
A0		NEW RELEASE	WANG	2017-11-20



**SPECIFICATIONS:**  
 Current Rating: 2A AC,DC  
 Voltage Rating: 250V AC,DC  
 Temperature Range: -25°C ~ +85°C  
 Contact Resistance: 20mΩ Max.  
 Insulation Resistance: 1000MΩ Min.  
 Withstanding Voltage: 500V AC/minute  
 Pin Material: Brass/Gold over Nickel  
 Material: Nylon 6T,UL94V-0(Black)

**Ordering Information & Dimensions**

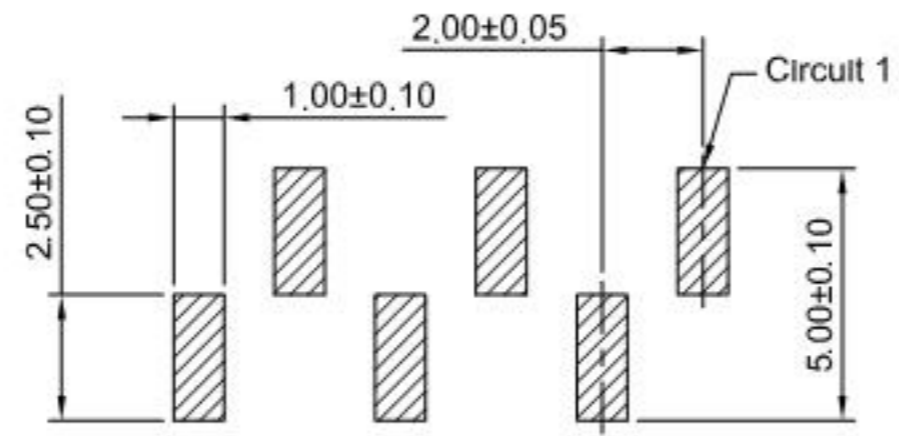
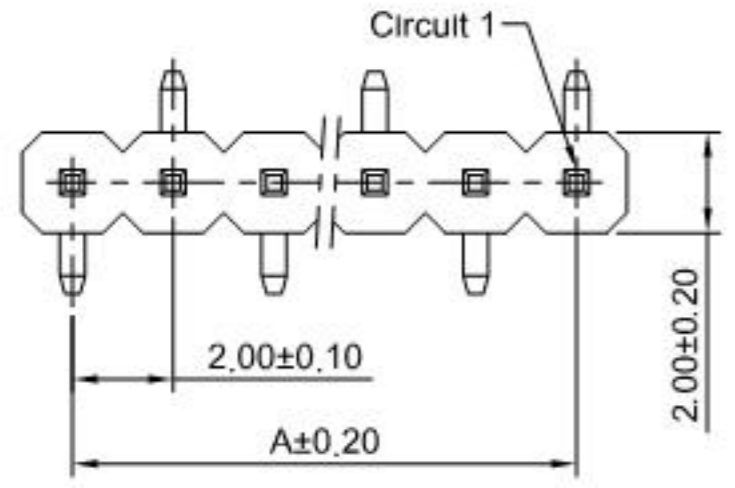
Circuits	Dim(mm)		Circuits	Dim(mm)		Circuits	Dim(mm)	
	A	B		A	B		A	B
2P	2,00	4,00	15P	28,00	30,00	28P	54,00	56,00
3P	4,00	6,00	16P	30,00	32,00	29P	56,00	58,00
4P	6,00	8,00	17P	32,00	34,00	30P	58,00	60,00
5P	8,00	10,00	18P	34,00	36,00	31P	60,00	62,00
6P	10,00	12,00	19P	36,00	38,00	32P	62,00	64,00
7P	12,00	14,00	20P	38,00	40,00	33P	64,00	66,00
8P	14,00	16,00	21P	40,00	42,00	34P	66,00	68,00
9P	16,00	18,00	22P	42,00	44,00	35P	68,00	70,00
10P	18,00	20,00	23P	44,00	46,00	36P	70,00	72,00
11P	20,00	22,00	24P	46,00	48,00	37P	72,00	74,00
12P	22,00	24,00	25P	48,00	50,00	38P	74,00	76,00
13P	24,00	26,00	26P	50,00	52,00	39P	76,00	78,00
14P	26,00	28,00	27P	52,00	54,00	40P	78,00	80,00



**HDGC** 深圳市华德共创科技有限公司  
 Shenzhen Huade co-create Technology Co., LTD  
 TEL: 0755-27129737 FAX: 0755-29940187

-TOLERANCES- UNLESS OTHERWISE SPECIFIED 公差参数表				TITLE: 2.00mm Pitch 产品名称: 180° Pin Header	
X.X	±0.30	X.X°	±3°	APPD: 核准:	XIE
X.XX	±0.30	X.XX°	±2°	CHECK: 校对:	WANG
X.XXX	±0.10	X.XXX°	±1°	DRAW: 绘图:	WANG
		DATE	SCALE	UNIT	CODE NUMBER
		2017-11-20	5:1	mm	A008

修订 REV	标记 MARK	修改摘要 REVISION DESCRIPTION	签名 SIGNATURE	日期 DATE
A0		NEW RELEASE	WANG	2017-11-20

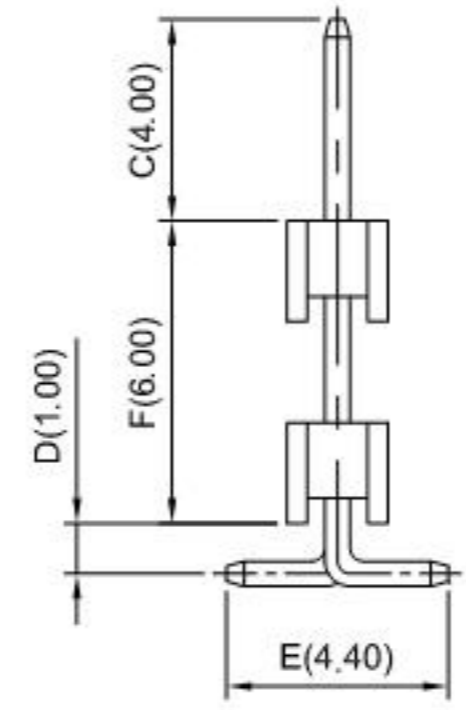
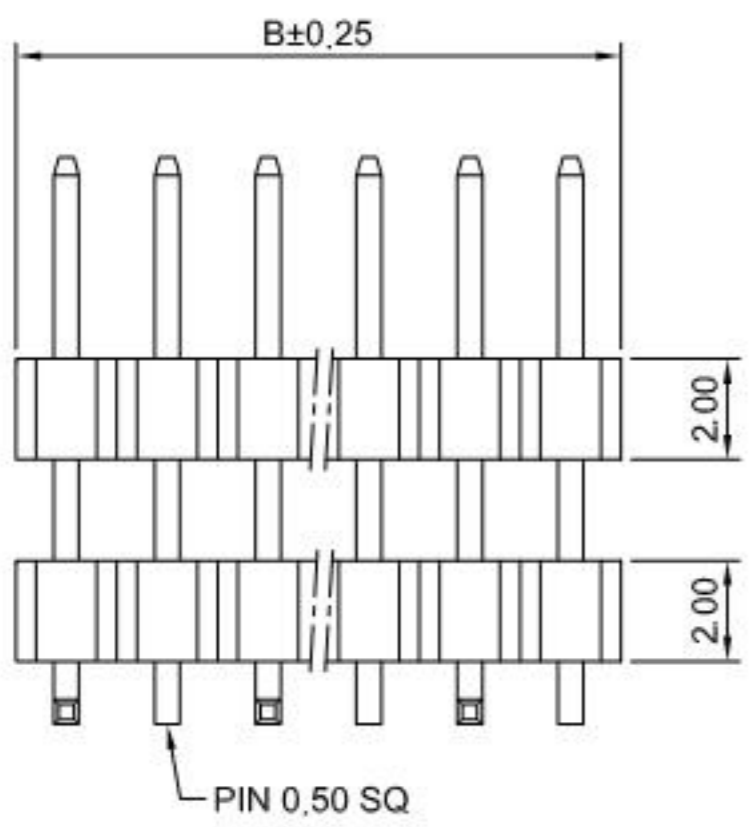


P.C.B LAYOUT

**SPECIFICATIONS:**  
 Current Rating: 2A AC,DC  
 Voltage Rating: 250V AC,DC  
 Temperature Range: -25°C ~ +85°C  
 Contact Resistance: 20mΩ Max.  
 Insulation Resistance: 1000MΩ Min.  
 Withstanding Voltage: 500V AC/minute  
 Pin Material: Brass/Gold over Nickel  
 Material: Nylon 6T,UL94V-0(Black)

Ordering Information & Dimensions

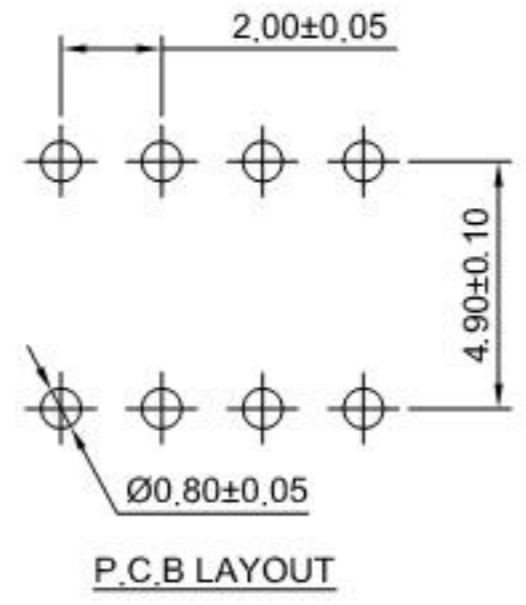
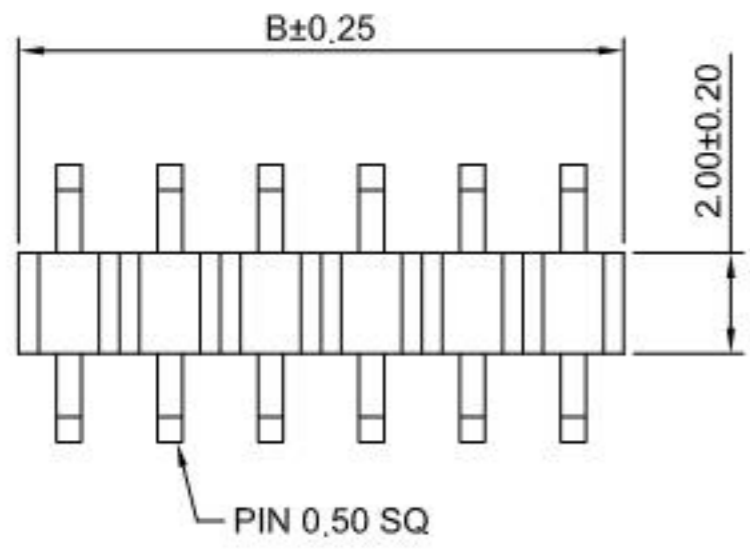
Circuits	Dim(mm)		Circuits	Dim(mm)		Circuits	Dim(mm)	
	A	B		A	B		A	B
2P	2.00	4.00	15P	28.00	30.00	28P	54.00	56.00
3P	4.00	6.00	16P	30.00	32.00	29P	56.00	58.00
4P	6.00	8.00	17P	32.00	34.00	30P	58.00	60.00
5P	8.00	10.00	18P	34.00	36.00	31P	60.00	62.00
6P	10.00	12.00	19P	36.00	38.00	32P	62.00	64.00
7P	12.00	14.00	20P	38.00	40.00	33P	64.00	66.00
8P	14.00	16.00	21P	40.00	42.00	34P	66.00	68.00
9P	16.00	18.00	22P	42.00	44.00	35P	68.00	70.00
10P	18.00	20.00	23P	44.00	46.00	36P	70.00	72.00
11P	20.00	22.00	24P	46.00	48.00	37P	72.00	74.00
12P	22.00	24.00	25P	48.00	50.00	38P	74.00	76.00
13P	24.00	26.00	26P	50.00	52.00	39P	76.00	78.00
14P	26.00	28.00	27P	52.00	54.00	40P	78.00	80.00



**HDGC** 深圳市华德共创科技有限公司  
 Shenzhen Huade co-create Technology Co., LTD  
 TEL: 0755-27129737 FAX: 0755-29940187

-TOLERANCES- UNLESS OTHERWISE SPECIFIED 公差参数表				TITLE: 2.00mm Pitch 产品名称: 180° Pin Header	
X.X	±0.30	X.X°	±3°	APPD: 核准:	XIE
X.XX	±0.30	X.XX°	±2°	CHECK: 校对:	WANG
X.XXX	±0.10	X.XXX°	±1°	DRAW: 绘图:	WANG
PART NO: 产品编号:		HDGC2005WVA-S-XP-B		DATE	2017-11-20
SCALE		5:1	UNIT	mm	CODE NUMBER
					A008

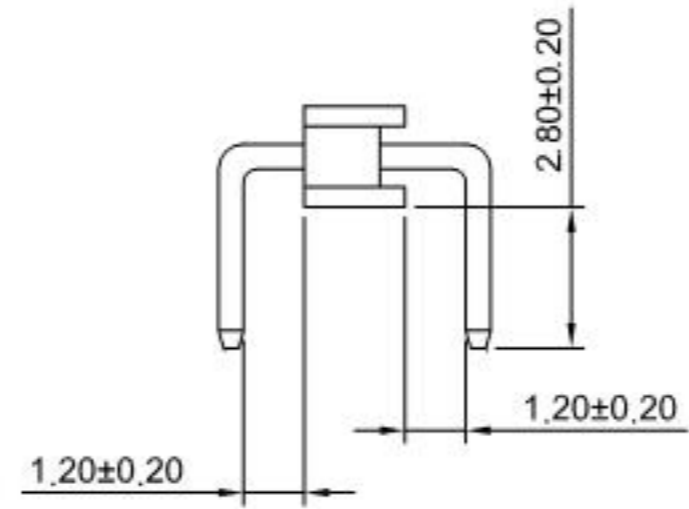
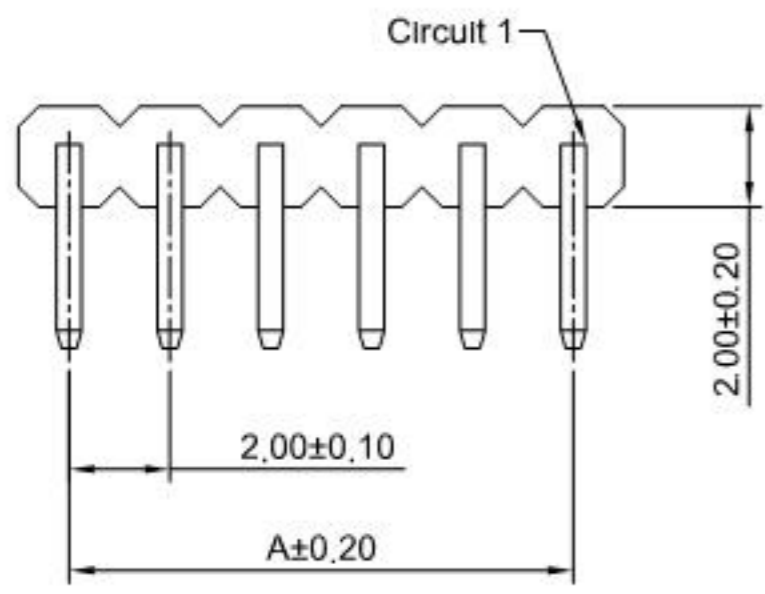
修订 REV	标记 MARK	修改摘要 REVISION DESCRIPTION	签名 SIGNATURE	日期 DATE
A0		NEW RELEASE	WANG	2017-11-20



**SPECIFICATIONS:**  
 Current Rating: 2A AC,DC  
 Voltage Rating: 250V AC,DC  
 Temperature Range: -25°C ~ +85°C  
 Contact Resistance: 20mΩ Max.  
 Insulation Resistance: 1000MΩ Min.  
 Withstanding Voltage: 500V AC/minute  
 Pin Material: Brass/Gold over Nickel  
 Material: PBT+30%GF,UL94V-0(Black)

Ordering Information & Dimensions

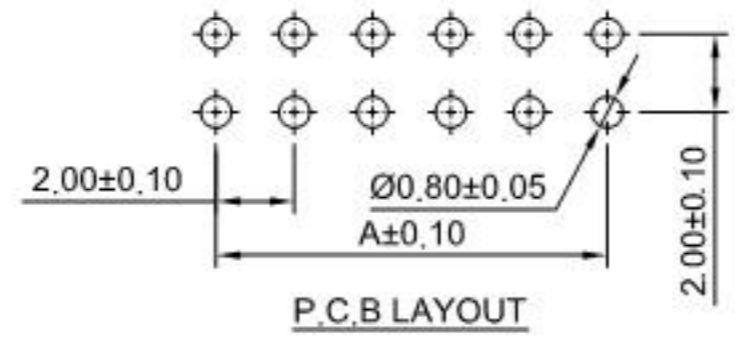
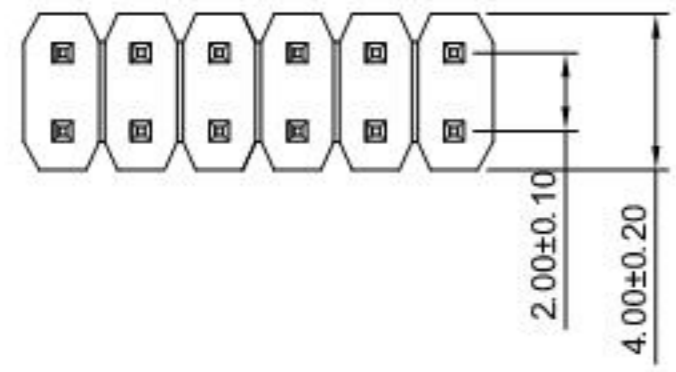
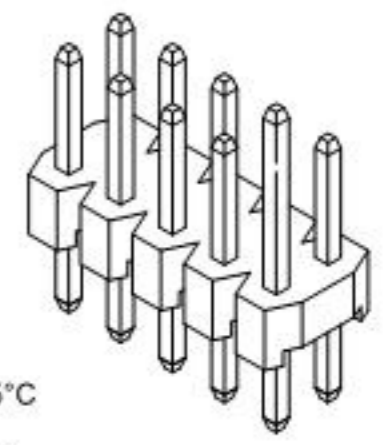
Circuits	Dim(mm)		Circuits	Dim(mm)		Circuits	Dim(mm)	
	A	B		A	B		A	B
2P	2.00	4.00	15P	28.00	30.00	28P	54.00	56.00
3P	4.00	6.00	16P	30.00	32.00	29P	56.00	58.00
4P	6.00	8.00	17P	32.00	34.00	30P	58.00	60.00
5P	8.00	10.00	18P	34.00	36.00	31P	60.00	62.00
6P	10.00	12.00	19P	36.00	38.00	32P	62.00	64.00
7P	12.00	14.00	20P	38.00	40.00	33P	64.00	66.00
8P	14.00	16.00	21P	40.00	42.00	34P	66.00	68.00
9P	16.00	18.00	22P	42.00	44.00	35P	68.00	70.00
10P	18.00	20.00	23P	44.00	46.00	36P	70.00	72.00
11P	20.00	22.00	24P	46.00	48.00	37P	72.00	74.00
12P	22.00	24.00	25P	48.00	50.00	38P	74.00	76.00
13P	24.00	26.00	26P	50.00	52.00	39P	76.00	78.00
14P	26.00	28.00	27P	52.00	54.00	40P	78.00	80.00



**HDGC** 深圳市华德共创科技有限公司  
 Shenzhen Huade co-create Technology Co., LTD  
 TEL: 0755-27129737 FAX: 0755-29940187

-TOLERANCES- UNLESS OTHERWISE SPECIFIED 公差参数表				TITLE: 2.00mm Pitch 产品名称: 90° Pin Header	
X.X	±0.30	X.X°	±3°	APPD: 核准:	XIE
X.XX	±0.30	X.XX°	±2°	CHECK: 校对:	WANG
X.XXX	±0.10	X.XXX°	±1°	DRAW: 绘图:	WANG
PART NO: 产品编号:		HDGC2005WRR-XP		DATE	2017-11-20
SCALE		5:1	UNIT	mm	CODE NUMBER
A008					

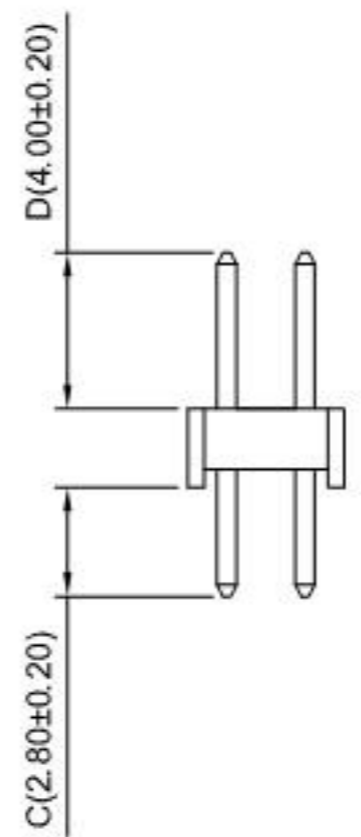
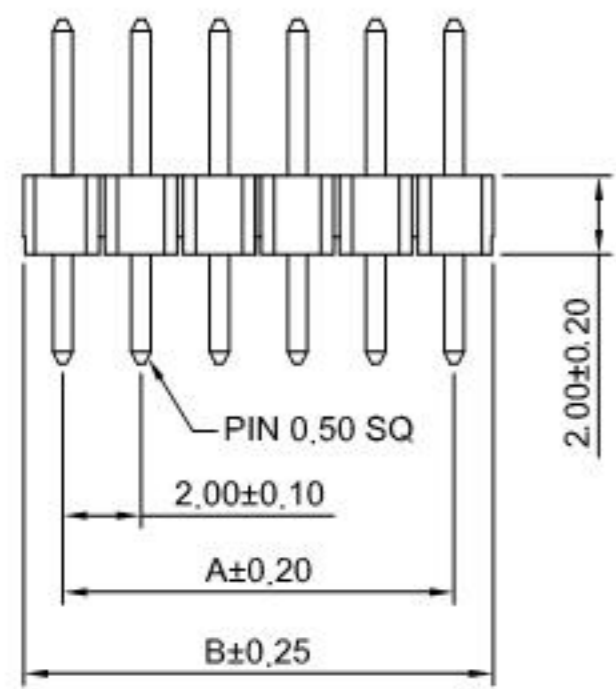
修订 REV	标记 MARK	修改摘要 REVISION DESCRIPTION	签名 SIGNATURE	日期 DATE
A0		NEW RELEASE	WANG	2017-11-20



**SPECIFICATIONS:**  
 Current Rating: 2A AC,DC  
 Voltage Rating: 250V AC,DC  
 Temperature Range: -25°C ~ +85°C  
 Contact Resistance: 20mΩ Max.  
 Insulation Resistance: 1000MΩ Min.  
 Withstanding Voltage: 500V AC/minute  
 Pin Material: Brass/Gold over Nickel  
 Material: PBT+30%GF,UL94V-0(Black)

Ordering Information & Dimensions

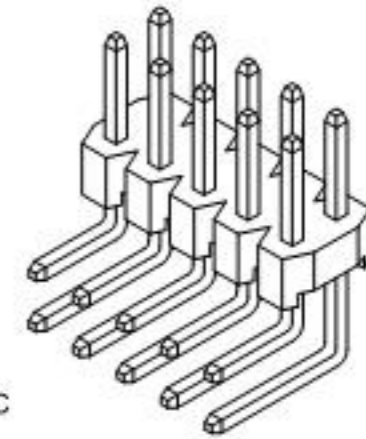
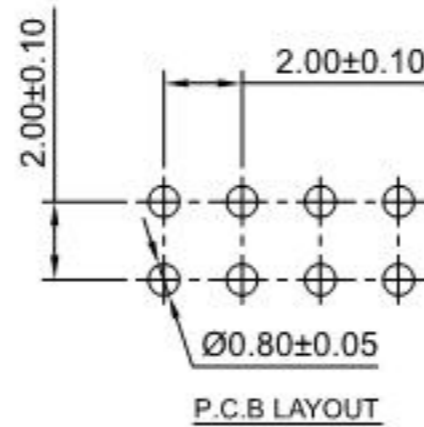
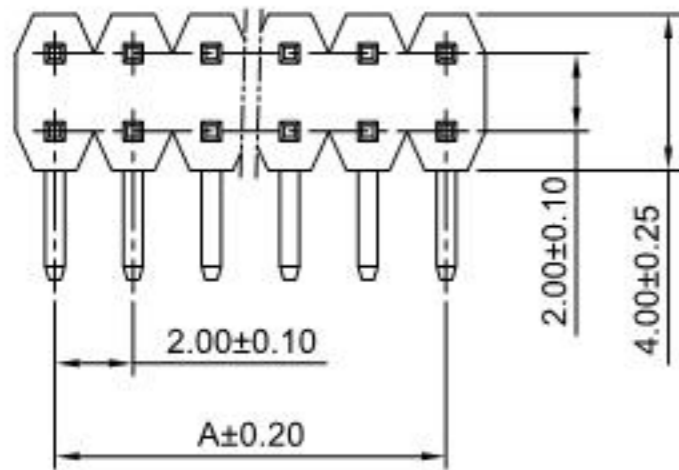
Circuits	Dim(mm)		Circuits	Dim(mm)		Circuits	Dim(mm)	
	A	B		A	B		A	B
2x2P	2.00	4.00	2x15P	28.00	30.00	2x28P	54.00	56.00
2x3P	4.00	6.00	2x16P	30.00	32.00	2x29P	56.00	58.00
2x4P	6.00	8.00	2x17P	32.00	34.00	2x30P	58.00	60.00
2x5P	8.00	10.00	2x18P	34.00	36.00	2x31P	60.00	62.00
2x6P	10.00	12.00	2x19P	36.00	38.00	2x32P	62.00	64.00
2x7P	12.00	14.00	2x20P	38.00	40.00	2x33P	64.00	66.00
2x8P	14.00	16.00	2x21P	40.00	42.00	2x34P	66.00	68.00
2x9P	16.00	18.00	2x22P	42.00	44.00	2x35P	68.00	70.00
2x10P	18.00	20.00	2x23P	44.00	46.00	2x36P	70.00	72.00
2x11P	20.00	22.00	2x24P	46.00	48.00	2x37P	72.00	74.00
2x12P	22.00	24.00	2x25P	48.00	50.00	2x38P	74.00	76.00
2x13P	24.00	26.00	2x26P	50.00	52.00	2x39P	76.00	78.00
2x14P	26.00	28.00	2x27P	52.00	54.00	2x40P	78.00	80.00



**深圳市华德共创科技有限公司**  
 Shenzhen Huade co-create Technology Co., LTD  
 TEL: 0755-27129737 FAX: 0755-29940187

-TOLERANCES- UNLESS OTHERWISE SPECIFIED 公差参数表				TITLE: 产品名称:		2.00mm Pitch 180° Pin Header			
X.X	±0.30	X.X°	±3°	APPD: 核准:	XIE	PART NO: 产品编号: HDGC2005WV-2xXP			
X.XX	±0.30	X.XX°	±2°	CHECK: 校对:	WANG	DATE	SCALE	UNIT	CODE NUMBER
X.XXX	±0.10	X.XXX°	±1°	DRAW: 绘图:	WANG	2017-11-20	4:1	mm	A008

修订 REV	标记 MARK	修改摘要 REVISION DESCRIPTION	签名 SIGNATURE	日期 DATE
A0		NEW RELEASE	WANG	2017-11-20

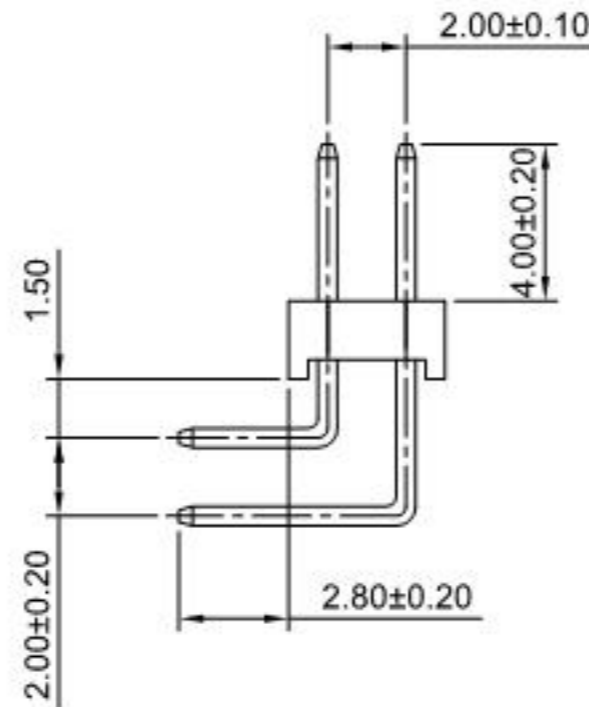
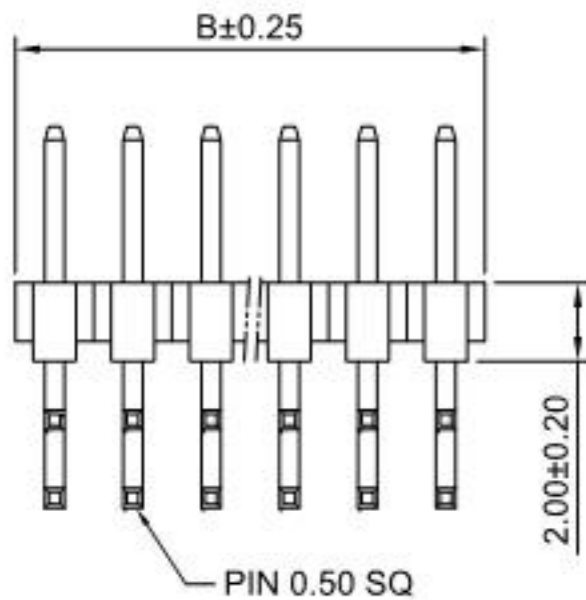


### SPECIFICATIONS:

Current Rating: 2A AC,DC  
Voltage Rating: 250V AC,DC  
Temperature Range: -25°C ~ +85°C  
Contact Resistance: 20mΩ Max.  
Insulation Resistance: 1000MΩ Min.  
Withstanding Voltage: 500V AC/minute  
Pin Material: Brass/Gold over Nickel  
Material: PBT+30%GF,UL94V-0(Black)

### Ordering Information & Dimensions

Circuits	Dim(mm)		Circuits	Dim(mm)		Circuits	Dim(mm)	
	A	B		A	B		A	B
2x2P	2.00	4.00	2x15P	28.00	30.00	2x28P	54.00	56.00
2x3P	4.00	6.00	2x16P	30.00	32.00	2x29P	56.00	58.00
2x4P	6.00	8.00	2x17P	32.00	34.00	2x30P	58.00	60.00
2x5P	8.00	10.00	2x18P	34.00	36.00	2x31P	60.00	62.00
2x6P	10.00	12.00	2x19P	36.00	38.00	2x32P	62.00	64.00
2x7P	12.00	14.00	2x20P	38.00	40.00	2x33P	64.00	66.00
2x8P	14.00	16.00	2x21P	40.00	42.00	2x34P	66.00	68.00
2x9P	16.00	18.00	2x22P	42.00	44.00	2x35P	68.00	70.00
2x10P	18.00	20.00	2x23P	44.00	46.00	2x36P	70.00	72.00
2x11P	20.00	22.00	2x24P	46.00	48.00	2x37P	72.00	74.00
2x12P	22.00	24.00	2x25P	48.00	50.00	2x38P	74.00	76.00
2x13P	24.00	26.00	2x26P	50.00	52.00	2x39P	76.00	78.00
2x14P	26.00	28.00	2x27P	52.00	54.00	2x40P	78.00	80.00



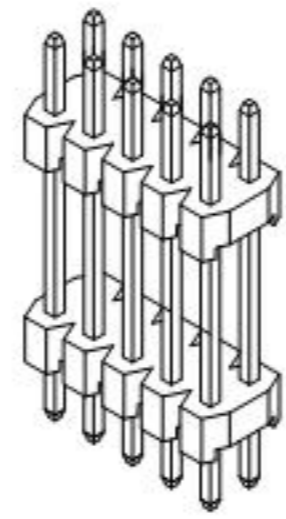
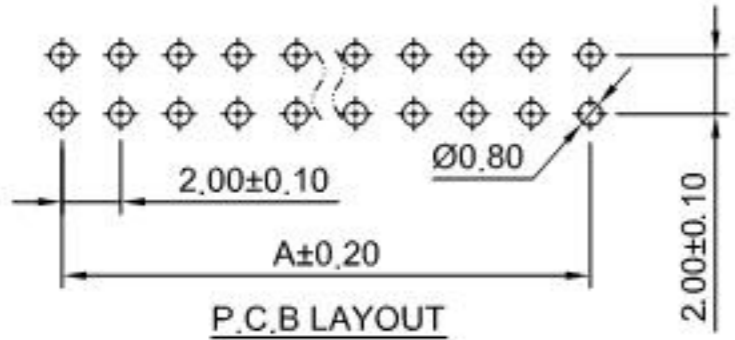
深圳市华德共创科技有限公司

Shenzhen Huade co-create Technology Co., LTD

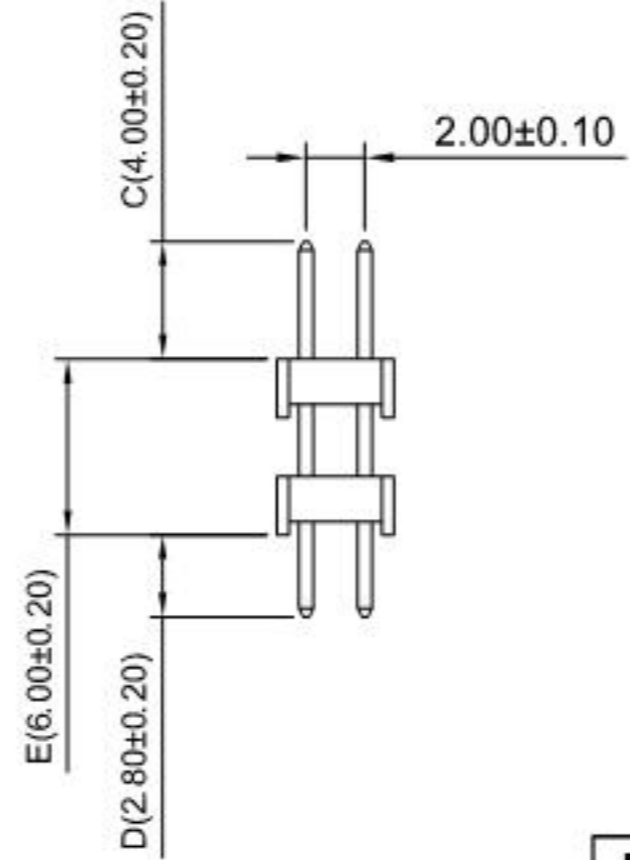
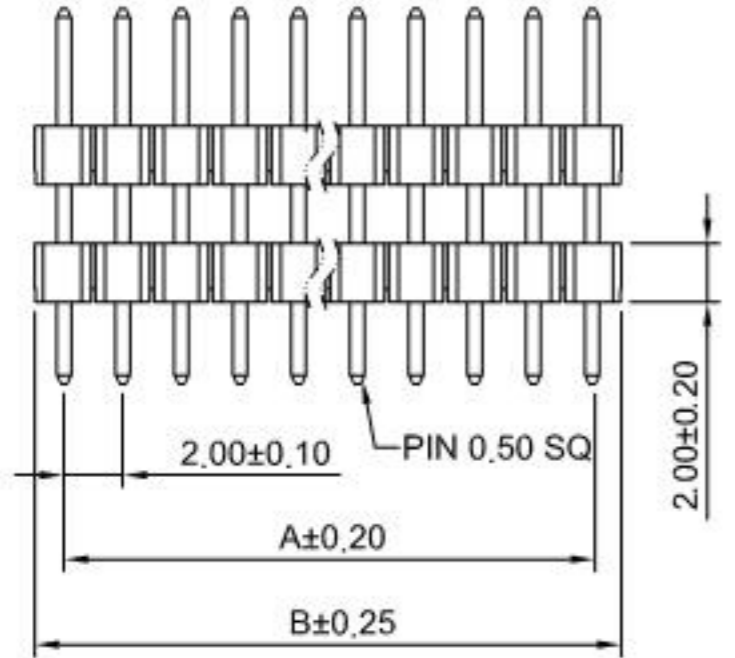
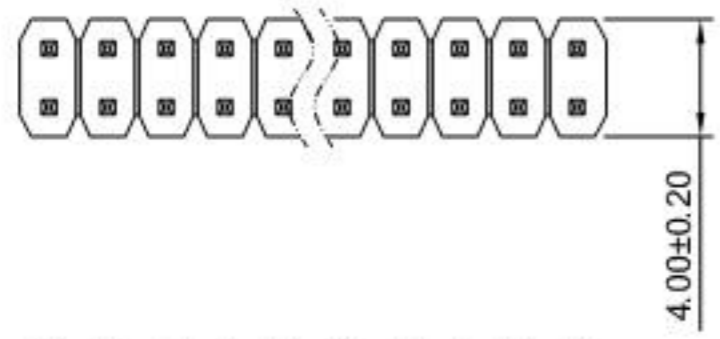
TEL: 0755-27129737 FAX: 0755-29940187

-TOLERANCES- UNLESS OTHERWISE SPECIFIED 公差参数表				TITLE: 产品名称: 2.00mm Pitch 90° Pin Header	
X.X	±0.30	X.X°	±3°	APPD: 核准:	XIE
X.XX	±0.30	X.XX°	±2°	CHECK: 校对:	WANG
X.XXX	±0.10	X.XXX°	±1°	DRAW: 绘图:	WANG
PART NO: 产品编号:		HDGC2005WR-2xXP		DATE	2017-11-20
SCALE	4:1	UNIT	mm	CODE NUMBER	A008

修订 REV	标记 MARK	修改摘要 REVISION DESCRIPTION	签名 SIGNATURE	日期 DATE
A0		NEW RELEASE	WANG	2012-08-20



**SPECIFICATIONS:**  
 Current Rating: 2A AC,DC  
 Voltage Rating: 250V AC,DC  
 Temperature Range: -25°C ~ +85°C  
 Contact Resistance: 20mΩ Max.  
 Insulation Resistance: 1000MΩ Min.  
 Withstanding Voltage: 500V AC/minute  
 Pin Material: Brass/Gold over Nickel  
 Material: Nylon 6T,UL94V-0(Black)



**Ordering Information & Dimensions**

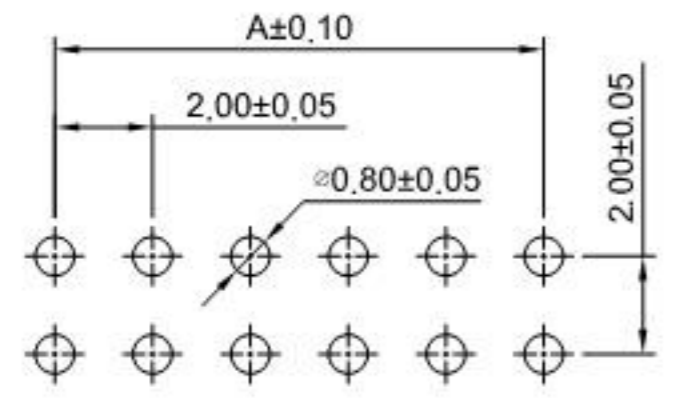
Circuits	Dim(mm)		Circuits	Dim(mm)		Circuits	Dim(mm)	
	A	B		A	B		A	B
2x2P	2.00	4.00	2x15P	28.00	30.00	2x28P	54.00	56.00
2x3P	4.00	6.00	2x16P	30.00	32.00	2x29P	56.00	58.00
2x4P	6.00	8.00	2x17P	32.00	34.00	2x30P	58.00	60.00
2x5P	8.00	10.00	2x18P	34.00	36.00	2x31P	60.00	62.00
2x6P	10.00	12.00	2x19P	36.00	38.00	2x32P	62.00	64.00
2x7P	12.00	14.00	2x20P	38.00	40.00	2x33P	64.00	66.00
2x8P	14.00	16.00	2x21P	40.00	42.00	2x34P	66.00	68.00
2x9P	16.00	18.00	2x22P	42.00	44.00	2x35P	68.00	70.00
2x10P	18.00	20.00	2x23P	44.00	46.00	2x36P	70.00	72.00
2x11P	20.00	22.00	2x24P	46.00	48.00	2x37P	72.00	74.00
2x12P	22.00	24.00	2x25P	48.00	50.00	2x38P	74.00	76.00
2x13P	24.00	26.00	2x26P	50.00	52.00	2x39P	76.00	78.00
2x14P	26.00	28.00	2x27P	52.00	54.00	2x40P	78.00	80.00



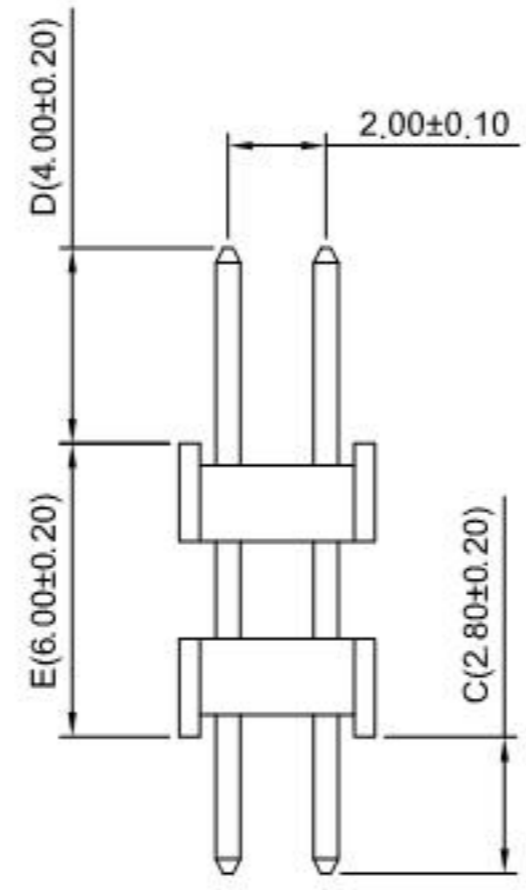
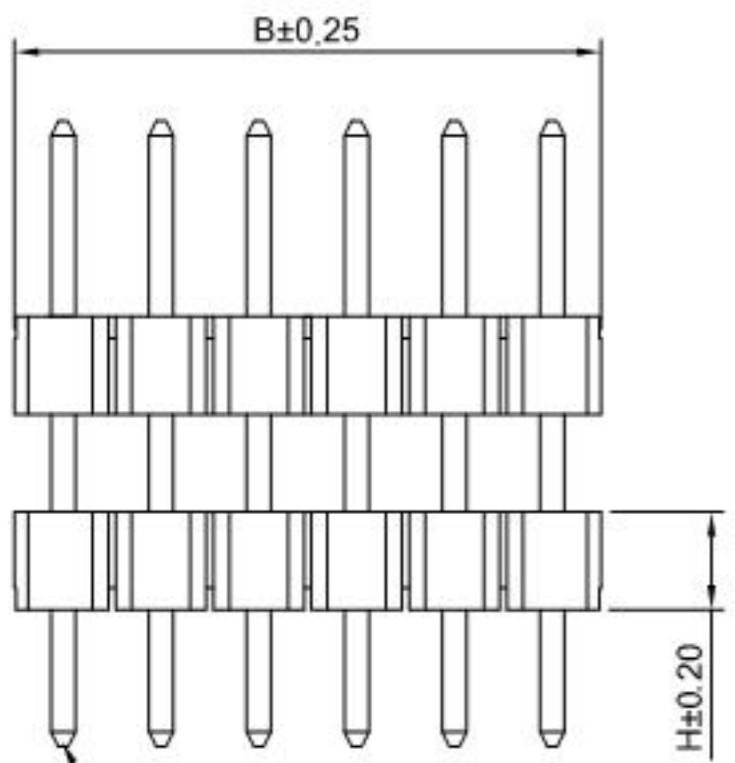
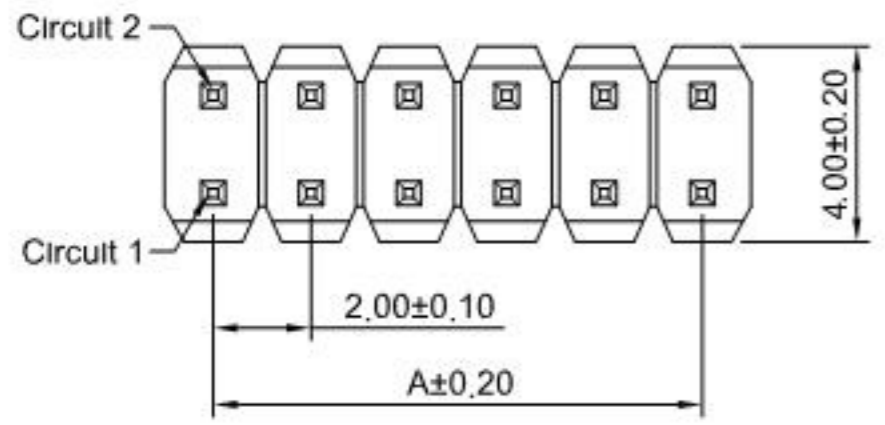
**深圳市华德共创科技有限公司**  
 Shenzhen Huade co-create Technology Co., LTD  
 TEL: 0755-27129737 FAX: 0755-29940187

-TOLERANCES- UNLESS OTHERWISE SPECIFIED 公差参数表				TITLE: 2.00mm Pitch 产品名称: 180° Pin Header	
X.X	±0.30	X.X°	±3°	APPD: 核准:	XIE
X.XX	±0.30	X.XX°	±2°	CHECK: 校对:	WANG
X.XXX	±0.10	X.XXX°	±1°	DRAW: 绘图:	WANG
PART NO: 产品编号:		HDGC2005WVA-2xXP		DATE	2012-08-20
SCALE		3:1		UNIT	mm
CODE NUMBER		A008			

修订 REV	标记 MARK	修改摘要 REVISION DESCRIPTION	签名 SIGNATURE	日期 DATE
A0		NEW RELEASE	WANG	2017-12-20



P.C.B LAYOUT



Ordering Information:  
 HDGC2005WVA-2xXP-R -  $\frac{***}{1}$  -  $\frac{**}{2}$  -  $\frac{*}{3}$  -  $\frac{***}{4}$

- 1, Part No.
- 2, Size(H):  
 (Blank): 2.00mm  
 H15: 1.50mm
- 3, Material:  
 (Blank): PBT, UL94V-0  
 6T: Nylon 6T, UL94V-0  
 GWT: Nylon 6T, UL94V-0 GWT 750℃
- 4, Finish:  
 (Blank): Gold over Nickel  
 T: Tin over Nickel

**SPECIFICATIONS:**  
 Current Rating: 2A AC,DC  
 Voltage Rating: 250V AC,DC  
 Temperature Range: -25°C ~ +85°C  
 Contact Resistance: 20mΩ Max.  
 Insulation Resistance: 1000MΩ Min.  
 Withstanding Voltage: 500V AC/minute  
 Pin Material: Brass/Gold over Nickel  
 Material: PBT, UL94V-0(Black)

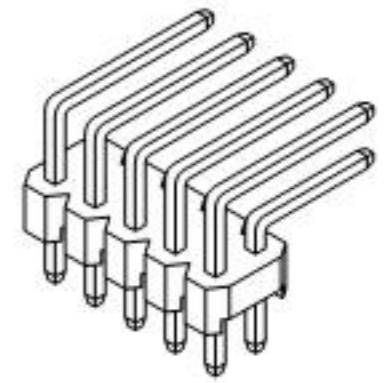
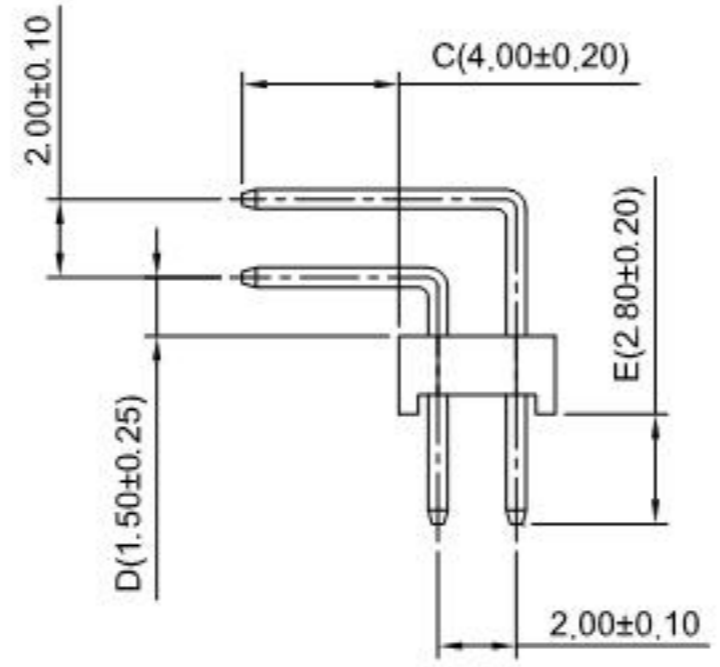
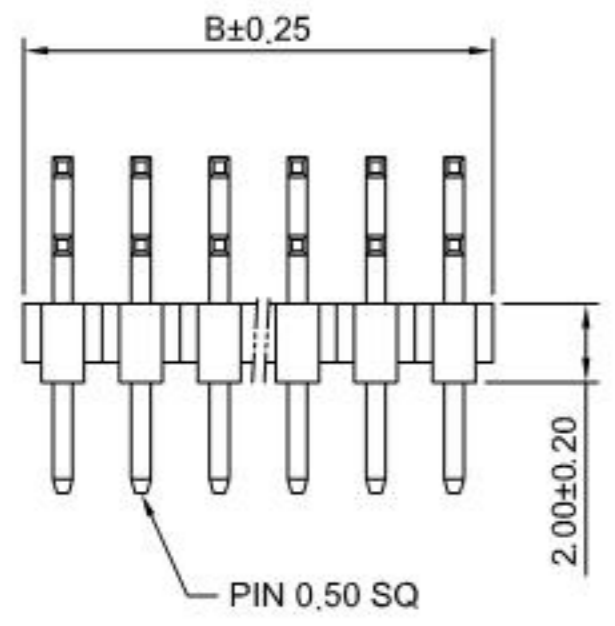
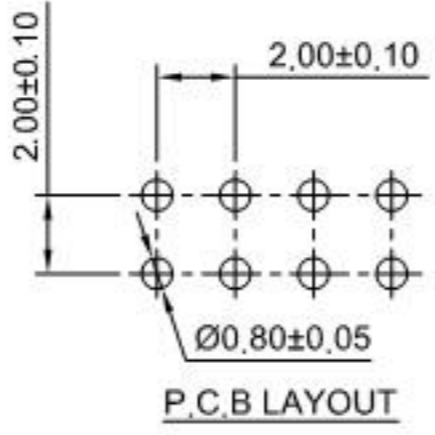
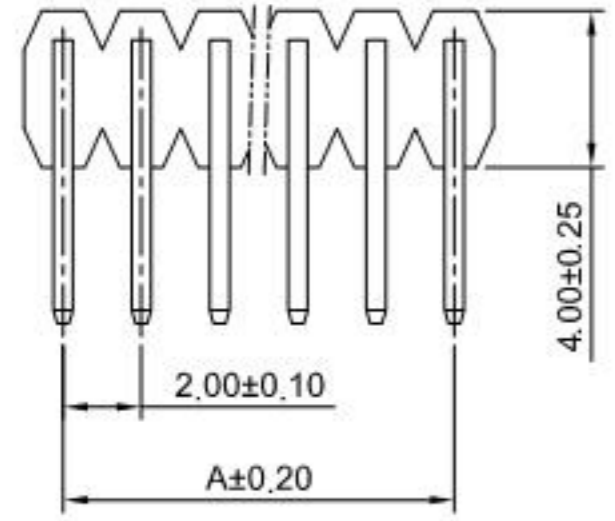
Ordering Information & Dimensions

Circuits	Dim(mm)		Circuits	Dim(mm)		Circuits	Dim(mm)	
	A	B		A	B		A	B
2x2P	2.00	4.00	2x15P	28.00	30.00	2x28P	54.00	56.00
2x3P	4.00	6.00	2x16P	30.00	32.00	2x29P	56.00	58.00
2x4P	6.00	8.00	2x17P	32.00	34.00	2x30P	58.00	60.00
2x5P	8.00	10.00	2x18P	34.00	36.00	2x31P	60.00	62.00
2x6P	10.00	12.00	2x19P	36.00	38.00	2x32P	62.00	64.00
2x7P	12.00	14.00	2x20P	38.00	40.00	2x33P	64.00	66.00
2x8P	14.00	16.00	2x21P	40.00	42.00	2x34P	66.00	68.00
2x9P	16.00	18.00	2x22P	42.00	44.00	2x35P	68.00	70.00
2x10P	18.00	20.00	2x23P	44.00	46.00	2x36P	70.00	72.00
2x11P	20.00	22.00	2x24P	46.00	48.00	2x37P	72.00	74.00
2x12P	22.00	24.00	2x25P	48.00	50.00	2x38P	74.00	76.00
2x13P	24.00	26.00	2x26P	50.00	52.00	2x39P	76.00	78.00
2x14P	26.00	28.00	2x27P	52.00	54.00	2x40P	78.00	80.00

**HDGC** 深圳市华德共创科技有限公司  
 Shenzhen Huade co-create Technology Co., LTD  
 TEL: 0755-27129737 FAX: 0755-29940187

-TOLERANCES- UNLESS OTHERWISE SPECIFIED 公差参数表				TITLE: 2.00mm Pitch 产品名称: 180° Pin Header	
X.X	±0.30	X.X°	±3°	APPD: 核准:	XIE
X.XX	±0.30	X.XX°	±2°	CHECK: 校对:	WANG
X.XXX	±0.10	X.XXX°	±1°	DRAW: 绘图:	WANG
PART NO: 产品编号:		DATE		SCALE	UNIT
HDGC2005WVA-2xXP-R		2017-12-20		5:1	mm
CODE NUMBER				A008	

修订 REV	标记 MARK	修改摘要 REVISION DESCRIPTION	签名 SIGNATURE	日期 DATE
A0		NEW RELEASE	WANG	2017-12-20



**SPECIFICATIONS:**

Current Rating: 2A AC,DC  
 Voltage Rating: 250V AC,DC  
 Temperature Range: -25°C ~ +85°C  
 Contact Resistance: 20mΩ Max,  
 Insulation Resistance: 1000MΩ Min,  
 Withstanding Voltage: 500V AC/minute  
 Pin Material: Brass/Gold over Nickel  
 Material: PBT+30%GF,UL94V-0(Black)

**Ordering Information & Dimensions**

Circuits	Dim(mm)		Circuits	Dim(mm)		Circuits	Dim(mm)	
	A	B		A	B		A	B
2x2P	2.00	4.00	2x15P	28.00	30.00	2x28P	54.00	56.00
2x3P	4.00	6.00	2x16P	30.00	32.00	2x29P	56.00	58.00
2x4P	6.00	8.00	2x17P	32.00	34.00	2x30P	58.00	60.00
2x5P	8.00	10.00	2x18P	34.00	36.00	2x31P	60.00	62.00
2x6P	10.00	12.00	2x19P	36.00	38.00	2x32P	62.00	64.00
2x7P	12.00	14.00	2x20P	38.00	40.00	2x33P	64.00	66.00
2x8P	14.00	16.00	2x21P	40.00	42.00	2x34P	66.00	68.00
2x9P	16.00	18.00	2x22P	42.00	44.00	2x35P	68.00	70.00
2x10P	18.00	20.00	2x23P	44.00	46.00	2x36P	70.00	72.00
2x11P	20.00	22.00	2x24P	46.00	48.00	2x37P	72.00	74.00
2x12P	22.00	24.00	2x25P	48.00	50.00	2x38P	74.00	76.00
2x13P	24.00	26.00	2x26P	50.00	52.00	2x39P	76.00	78.00
2x14P	26.00	28.00	2x27P	52.00	54.00	2x40P	78.00	80.00

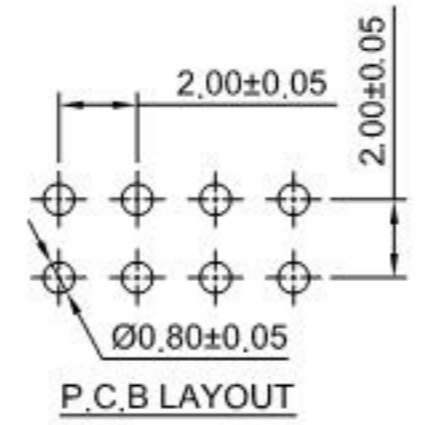
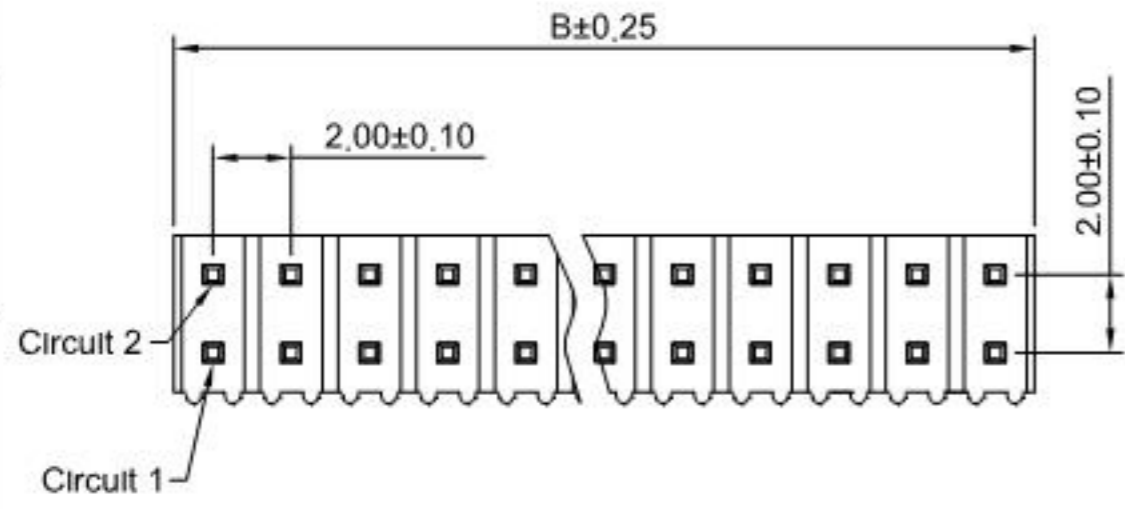


**深圳市华德共创科技有限公司**

Shenzhen Huade co-create Technology Co., LTD  
 TEL: 0755-27129737 FAX: 0755-29940187

-TOLERANCES- UNLESS OTHERWISE SPECIFIED 公差参数表				TITLE: 2.00mm Pitch 产品名称: 90° Pin Header	
X.X	±0.30	X.X°	±3°	APPD: 核准:	XIE
X.XX	±0.30	X.XX°	±2°	CHECK: 校对:	WANG
X.XXX	±0.10	X.XXX°	±1°	DRAW: 绘图:	WANG
PART NO: 产品编号:		HDGC2005WRA-2xXP		DATE	2017-12-20
SCALE		4:1	UNIT	mm	CODE NUMBER
					A008

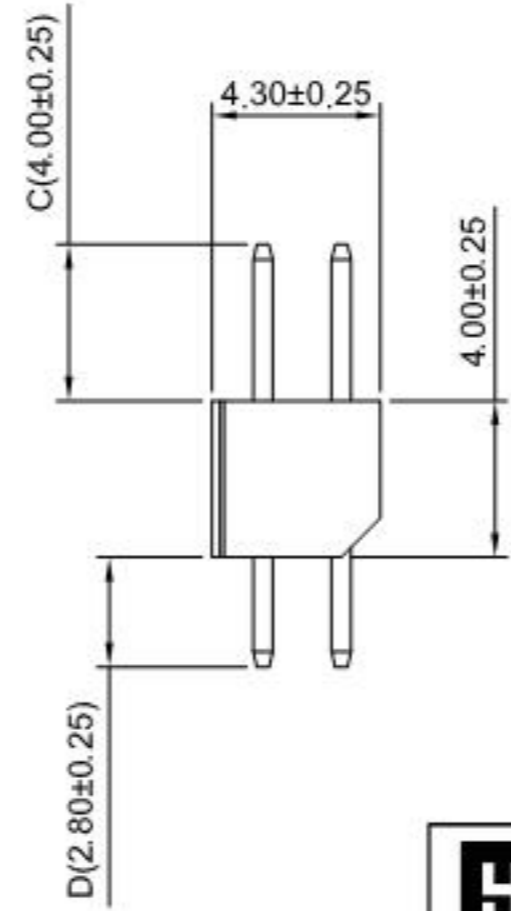
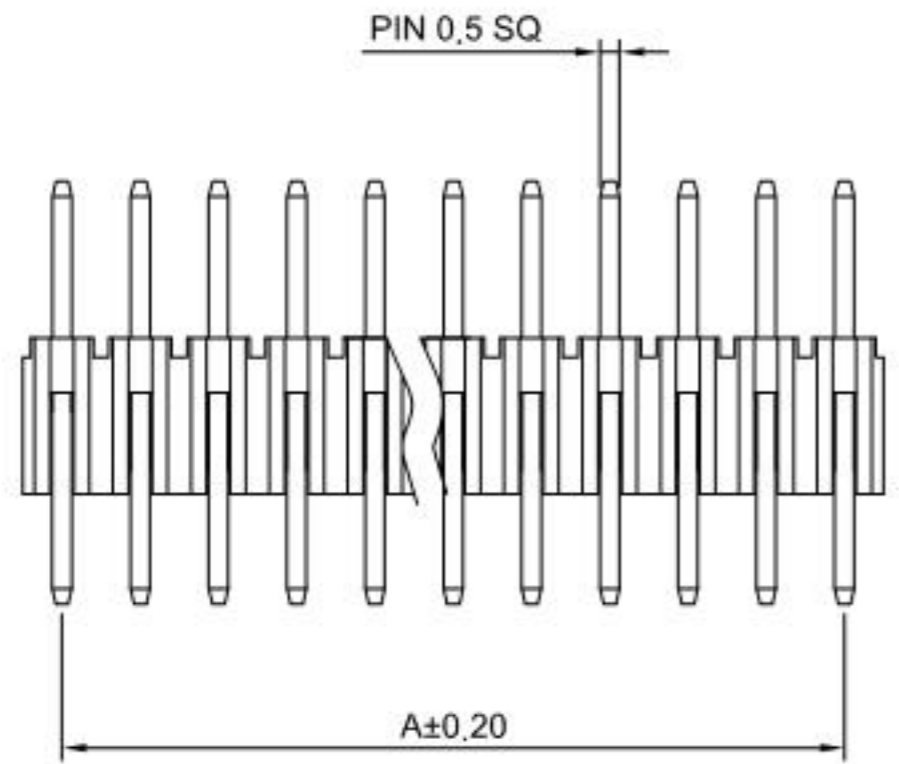
修订 REV	标记 MARK	修改摘要 REVISION DESCRIPTION	签名 SIGNATURE	日期 DATE
A0		NEW RELEASE	WANG	2012-06-20



**SPECIFICATIONS:**  
 Current Rating: 2A AC,DC  
 Voltage Rating: 250V AC,DC  
 Temperature Range: -25°C ~ +85°C  
 Contact Resistance: 20mΩ Max.  
 Insulation Resistance: 1000MΩ Min.  
 Withstanding Voltage: 500V AC/minute  
 Pin Material: Brass/Gold over Nickel  
 Material: Nylon 6T,UL94V-0(Black)

Ordering Information & Dimensions

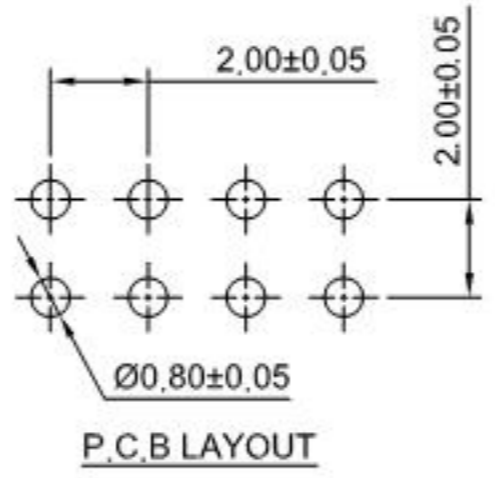
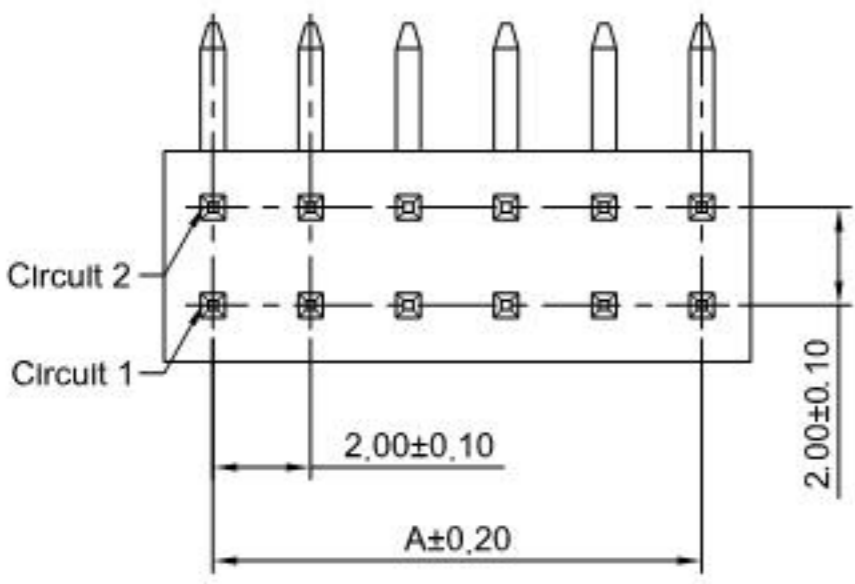
Circuits	Dim(mm)		Circuits	Dim(mm)		Circuits	Dim(mm)	
	A	B		A	B		A	B
2x2P	2.00	4.00	2x15P	28.00	30.00	2x28P	54.00	56.00
2x3P	4.00	6.00	2x16P	30.00	32.00	2x29P	56.00	58.00
2x4P	6.00	8.00	2x17P	32.00	34.00	2x30P	58.00	60.00
2x5P	8.00	10.00	2x18P	34.00	36.00	2x31P	60.00	62.00
2x6P	10.00	12.00	2x19P	36.00	38.00	2x32P	62.00	64.00
2x7P	12.00	14.00	2x20P	38.00	40.00	2x33P	64.00	66.00
2x8P	14.00	16.00	2x21P	40.00	42.00	2x34P	66.00	68.00
2x9P	16.00	18.00	2x22P	42.00	44.00	2x35P	68.00	70.00
2x10P	18.00	20.00	2x23P	44.00	46.00	2x36P	70.00	72.00
2x11P	20.00	22.00	2x24P	46.00	48.00	2x37P	72.00	74.00
2x12P	22.00	24.00	2x25P	48.00	50.00	2x38P	74.00	76.00
2x13P	24.00	26.00	2x26P	50.00	52.00	2x39P	76.00	78.00
2x14P	26.00	28.00	2x27P	52.00	54.00	2x40P	78.00	80.00



**深圳市华德共创科技有限公司**  
 Shenzhen Huade co-create Technology Co., LTD  
 TEL: 0755-27129737 FAX: 0755-29940187

-TOLERANCES- UNLESS OTHERWISE SPECIFIED 公差参数表			TITLE: 2.00mm Pitch 产品名称: 180° Pin Header						
X.X	±0.30	X.X°	±3°	APPD: 核准:	XIE	PART NO: 产品编号: HDGC2005WVB-2xXP			
X.XX	±0.30	X.XX°	±2°	CHECK: 校对:	WANG	DATE	SCALE	UNIT	CODE NUMBER
X.XXX	±0.10	X.XXX°	±1°	DRAW: 绘图:	WANG	2012-06-20	4:1	mm	A008

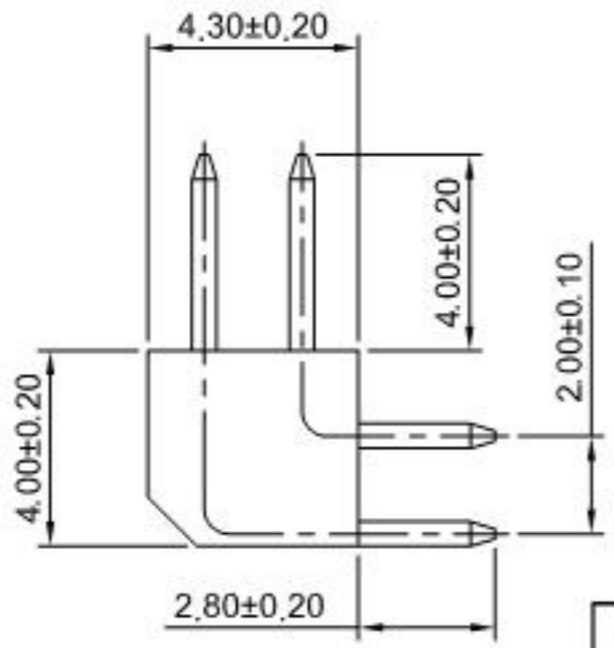
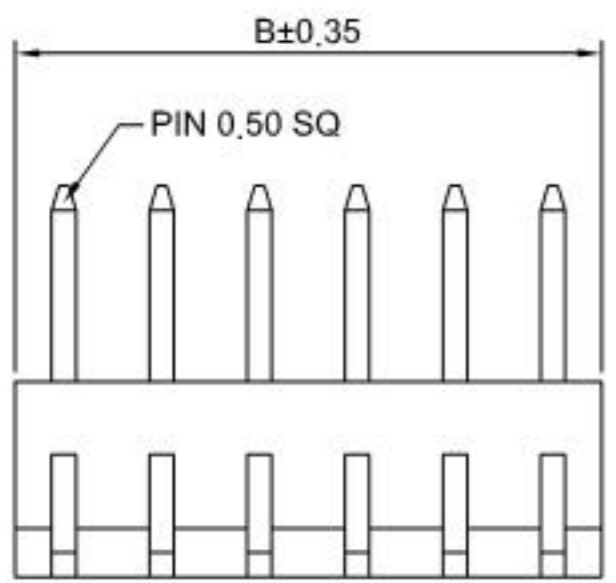
修订 REV	标记 MARK	修改摘要 REVISION DESCRIPTION	签名 SIGNATURE	日期 DATE
A0		NEW RELEASE	WANG	2012-06-20



**SPECIFICATIONS:**  
 Current Rating: 2A AC,DC  
 Voltage Rating: 250V AC,DC  
 Temperature Range: -25°C ~ +85°C  
 Contact Resistance: 20mΩ Max.  
 Insulation Resistance: 1000MΩ Min.  
 Withstanding Voltage: 500V AC/minute  
 Pin Material: Brass/Gold over Nickel  
 Material: Nylon 6T,UL94V-0(Black)

**Ordering Information & Dimensions**

Circuits	Dim(mm)		Circuits	Dim(mm)		Circuits	Dim(mm)	
	A	B		A	B		A	B
2x2P	2.00	4.00	2x15P	28.00	30.00	2x28P	54.00	56.00
2x3P	4.00	6.00	2x16P	30.00	32.00	2x29P	56.00	58.00
2x4P	6.00	8.00	2x17P	32.00	34.00	2x30P	58.00	60.00
2x5P	8.00	10.00	2x18P	34.00	36.00	2x31P	60.00	62.00
2x6P	10.00	12.00	2x19P	36.00	38.00	2x32P	62.00	64.00
2x7P	12.00	14.00	2x20P	38.00	40.00	2x33P	64.00	66.00
2x8P	14.00	16.00	2x21P	40.00	42.00	2x34P	66.00	68.00
2x9P	16.00	18.00	2x22P	42.00	44.00	2x35P	68.00	70.00
2x10P	18.00	20.00	2x23P	44.00	46.00	2x36P	70.00	72.00
2x11P	20.00	22.00	2x24P	46.00	48.00	2x37P	72.00	74.00
2x12P	22.00	24.00	2x25P	48.00	50.00	2x38P	74.00	76.00
2x13P	24.00	26.00	2x26P	50.00	52.00	2x39P	76.00	78.00
2x14P	26.00	28.00	2x27P	52.00	54.00	2x40P	78.00	80.00



**HDGC** 深圳市华德共创科技有限公司  
 Shenzhen Huade co-create Technology Co., LTD  
 TEL: 0755-27129737 FAX: 0755-29940187

-TOLERANCES- UNLESS OTHERWISE SPECIFIED 公差参数表						TITLE: 2.00mm Pitch 产品名称: 90° Pin Header			
X.X	±0.30	X.X°	±3°	APPD: 核准:	XIE	PART NO: 产品编号: HDGC2005WRB-2xXP			
X.XX	±0.30	X.XX°	±2°	CHECK: 校对:	WANG	DATE	SCALE	UNIT	CODE NUMBER
X.XXX	±0.10	X.XXX°	±1°	DRAW: 绘图:	WANG	2012-06-20	5:1	mm	A008

修订 REV	标记 MARK	修改摘要 REVISION DESCRIPTION	签名 SIGNATURE	日期 DATE
A0		NEW RELEASE	WANG	2017-11-20

Ordering Information:  
 HDGC2005WRD-2xXP -  $\frac{***}{1}$  -  $\frac{***}{2}$  -  $\frac{***}{3}$

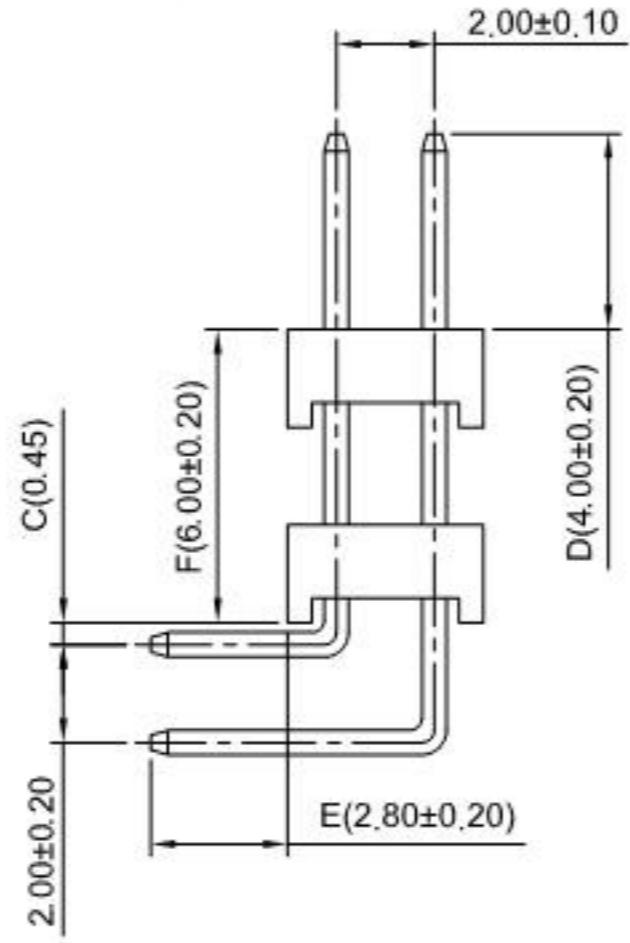
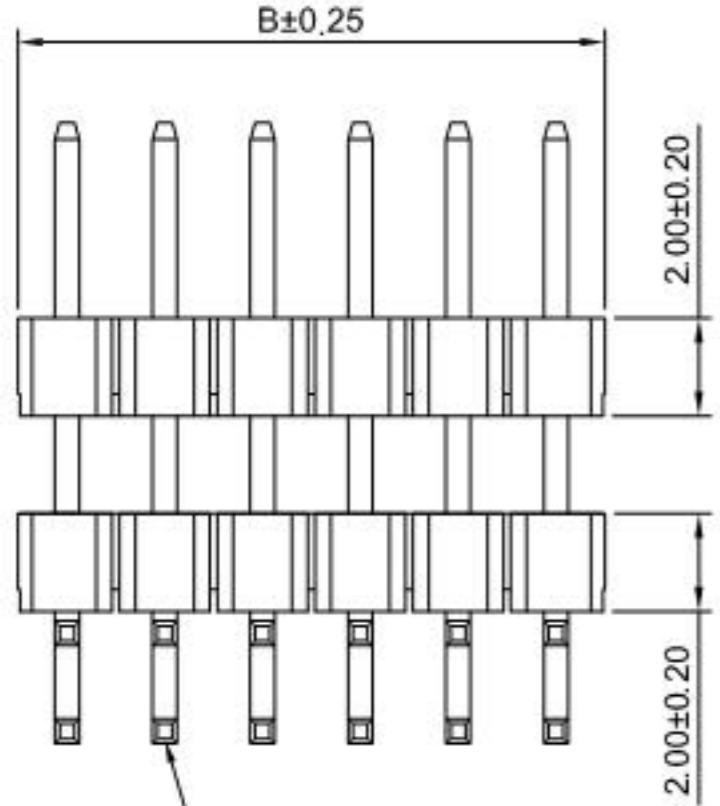
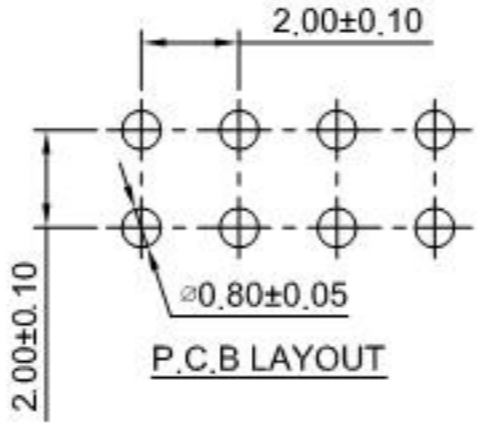
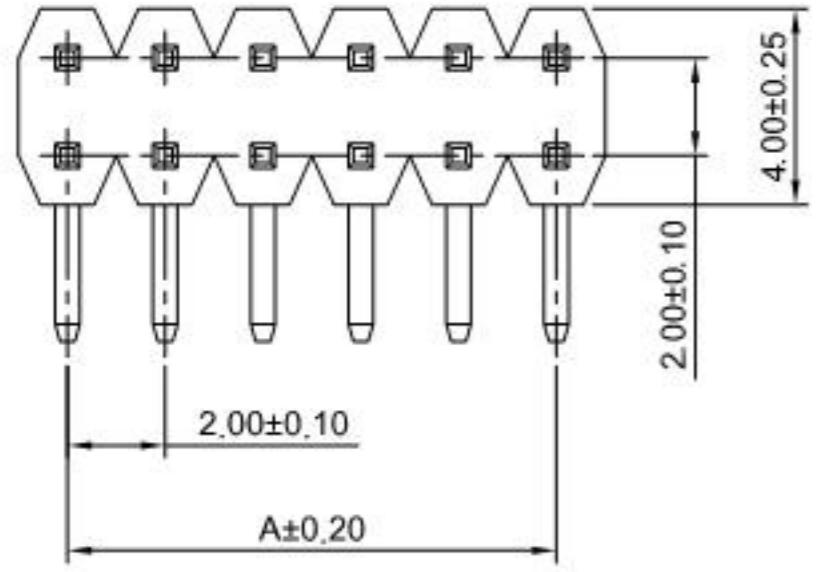
- 1.Part No.
- 2.Material:  
 (Blank):Nylon 6T,UL94V-0  
 GWT:Nylon 6T,UL94V-0,GWT 750°C
- 3.Finish:  
 (Blank):Gold over Nickel  
 T: Tin over Nickel

**SPECIFICATIONS:**

Current Rating: 2A AC,DC  
 Voltage Rating: 250V AC,DC  
 Temperature Range: -25°C ~ +85°C  
 Contact Resistance: 20mΩ Max.  
 Insulation Resistance: 1000MΩ Min.  
 Withstanding Voltage: 500V AC/minute  
 Pin Material: Brass/Gold over Nickel  
 Material: Nylon 6T,UL94V-0(Black)

Ordering Information & Dimensions

Circuits	Dim(mm)		Circuits	Dim(mm)		Circuits	Dim(mm)	
	A	B		A	B		A	B
2x2P	2.00	4.00	2x15P	28.00	30.00	2x28P	54.00	56.00
2x3P	4.00	6.00	2x16P	30.00	32.00	2x29P	56.00	58.00
2x4P	6.00	8.00	2x17P	32.00	34.00	2x30P	58.00	60.00
2x5P	8.00	10.00	2x18P	34.00	36.00	2x31P	60.00	62.00
2x6P	10.00	12.00	2x19P	36.00	38.00	2x32P	62.00	64.00
2x7P	12.00	14.00	2x20P	38.00	40.00	2x33P	64.00	66.00
2x8P	14.00	16.00	2x21P	40.00	42.00	2x34P	66.00	68.00
2x9P	16.00	18.00	2x22P	42.00	44.00	2x35P	68.00	70.00
2x10P	18.00	20.00	2x23P	44.00	46.00	2x36P	70.00	72.00
2x11P	20.00	22.00	2x24P	46.00	48.00	2x37P	72.00	74.00
2x12P	22.00	24.00	2x25P	48.00	50.00	2x38P	74.00	76.00
2x13P	24.00	26.00	2x26P	50.00	52.00	2x39P	76.00	78.00
2x14P	26.00	28.00	2x27P	52.00	54.00	2x40P	78.00	80.00



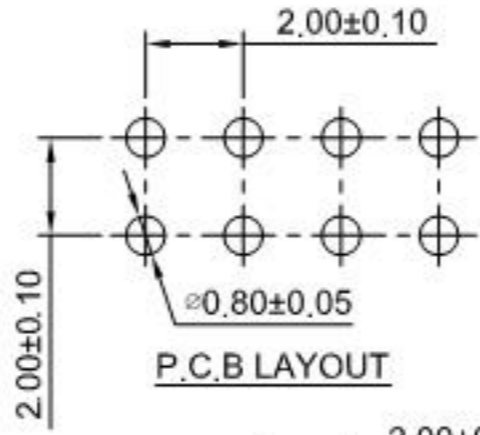
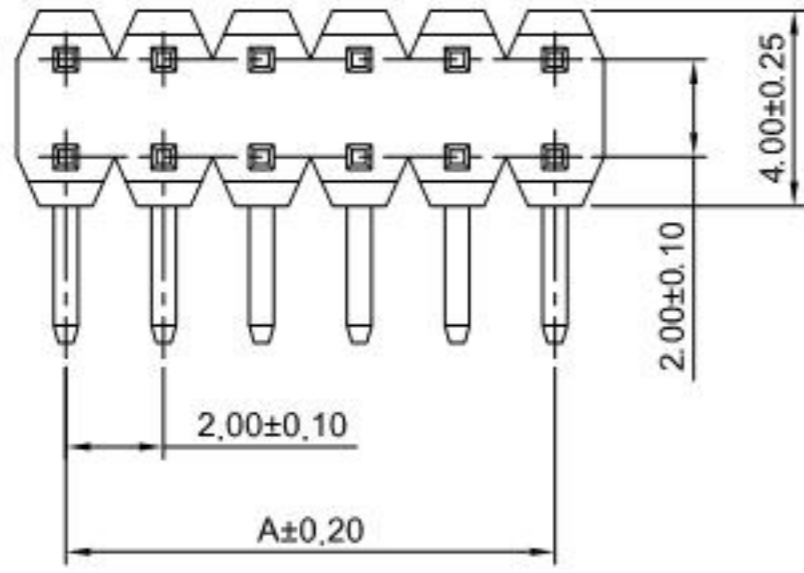
**HDGC** 深圳市华德共创科技有限公司  
 Shenzhen Huade co-create Technology Co., LTD  
 TEL: 0755-27129737 FAX: 0755-29940187

-TOLERANCES- UNLESS OTHERWISE SPECIFIED 公差参数表				TITLE: 2.00mm Pitch 产品名称: 90° Pin Header	
X.X	±0.30	X.X°	±3°	APPD: 核准:	XIE
X.XX	±0.30	X.XX°	±2°	CHECK: 校对:	WANG
X.XXX	±0.10	X.XXX°	±1°	DRAW: 绘图:	WANG
PART NO: 产品编号: HDGC2005WRD-2xXP			DATE	SCALE	UNIT
			2017-11-20	5:1	mm
			CODE NUMBER A008		

修订 REV	标记 MARK	修改摘要 REVISION DESCRIPTION	签名 SIGNATURE	日期 DATE
A0		NEW RELEASE	WANG	2017-11-22

Ordering Information:  
 HDGC2005WRD-2xXP-R -  $\frac{***}{2}$  -  $\frac{**}{3}$

- 1.Part No.
- 2.Material:  
 (Blank):Nylon 6T,UL94V-0  
 GWT:Nylon 6T,UL94V-0,GWT 750℃
- 3.Finish:  
 (Blank):Gold over Nickel  
 T:Tin over Nickel

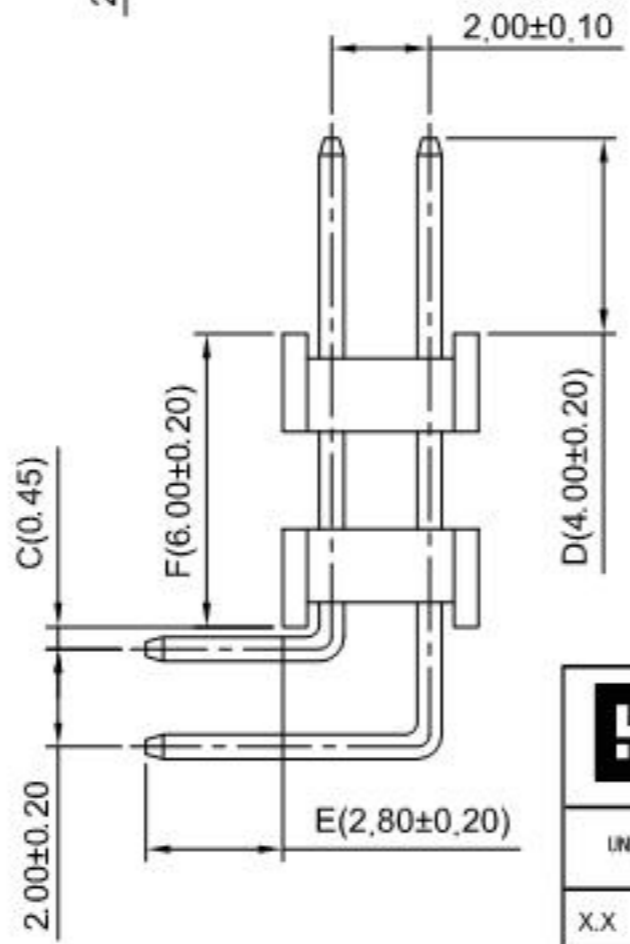
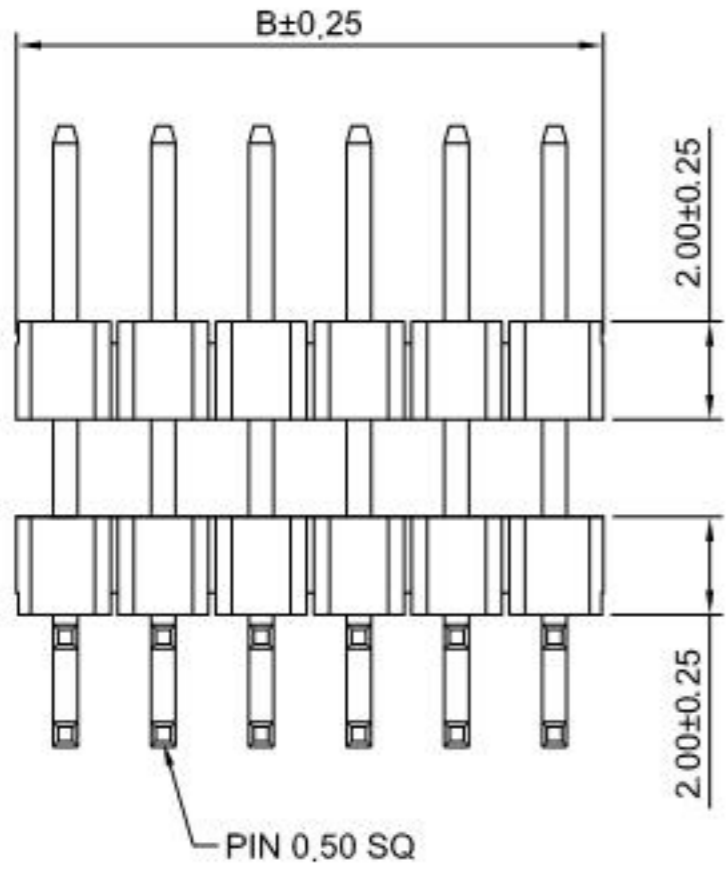


**SPECIFICATIONS:**

Current Rating: 2A AC,DC  
 Voltage Rating: 250V AC,DC  
 Temperature Range: -25°C ~ +85°C  
 Contact Resistance: 20mΩ Max.  
 Insulation Resistance: 1000MΩ Min.  
 Withstanding Voltage: 500V AC/minute  
 Pin Material: Brass/Gold over Nickel  
 Material: Nylon 6T,UL94V-0(Black)

Ordering Information & Dimensions

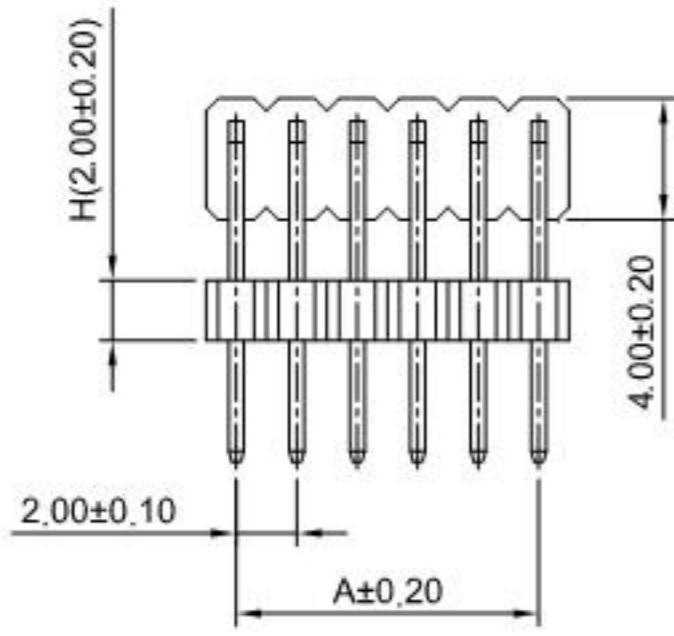
Circuits	Dim(mm)		Circuits	Dim(mm)		Circuits	Dim(mm)	
	A	B		A	B		A	B
2x2P	2.00	4.00	2x15P	28.00	30.00	2x28P	54.00	56.00
2x3P	4.00	6.00	2x16P	30.00	32.00	2x29P	56.00	58.00
2x4P	6.00	8.00	2x17P	32.00	34.00	2x30P	58.00	60.00
2x5P	8.00	10.00	2x18P	34.00	36.00	2x31P	60.00	62.00
2x6P	10.00	12.00	2x19P	36.00	38.00	2x32P	62.00	64.00
2x7P	12.00	14.00	2x20P	38.00	40.00	2x33P	64.00	66.00
2x8P	14.00	16.00	2x21P	40.00	42.00	2x34P	66.00	68.00
2x9P	16.00	18.00	2x22P	42.00	44.00	2x35P	68.00	70.00
2x10P	18.00	20.00	2x23P	44.00	46.00	2x36P	70.00	72.00
2x11P	20.00	22.00	2x24P	46.00	48.00	2x37P	72.00	74.00
2x12P	22.00	24.00	2x25P	48.00	50.00	2x38P	74.00	76.00
2x13P	24.00	26.00	2x26P	50.00	52.00	2x39P	76.00	78.00
2x14P	26.00	28.00	2x27P	52.00	54.00	2x40P	78.00	80.00



**深圳市华德共创科技有限公司**  
 Shenzhen Huade co-create Technology Co., LTD  
 TEL: 0755-27129737 FAX: 0755-29940187

-TOLERANCES- UNLESS OTHERWISE SPECIFIED 公差参数表		 	TITLE: 2.00mm Pitch 产品名称: 90° Pin Header	
X.X	±0.30	X.X°	±3°	APPD: 核准: XIE
X.XX	±0.30	X.XX°	±2°	CHECK: 校对: WANG
X.XXX	±0.10	X.XXX°	±1°	DRAW: 绘图: WANG
		DATE	SCALE	UNIT
		2017-11-22	5:1	mm
		PART NO: HDGC2005WRD-2xXP-R		CODE NUMBER
				A008

修订 REV	标记 MARK	修改摘要 REVISION DESCRIPTION	签名 SIGNATURE	日期 DATE
A0		NEW RELEASE	WANG	2017-11-22



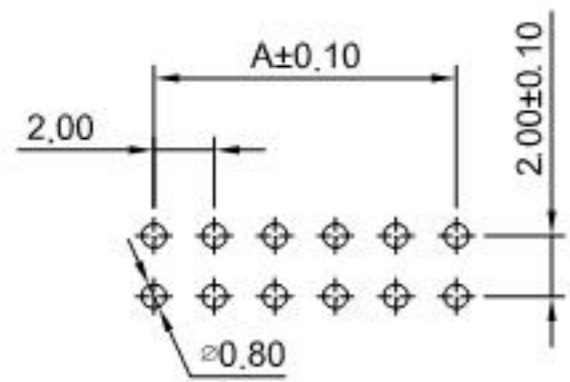
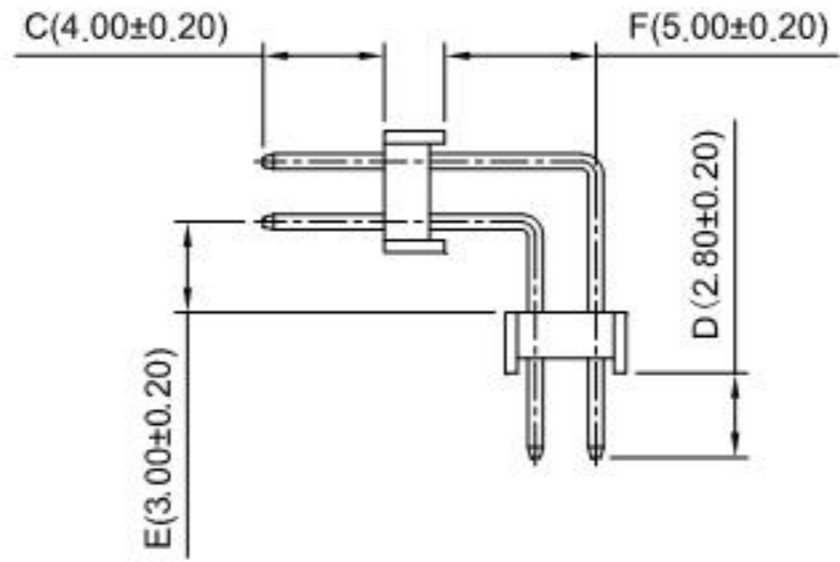
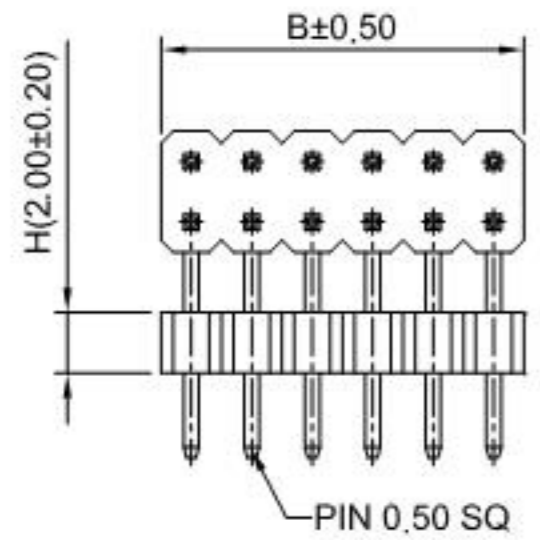
Ordering Information:  
 HDGC2005WRE-2xXP - <sup>\*\*\*</sup> - <sup>\*\*\*</sup>  
 1 2 3

1. Part No.
2. Type(H):  
 (Blank): 2.00mm  
 H15: 1.50mm
3. Material:  
 (Blank): Nylon 6T, UL94V-0  
 GWT: Nylon 6T, UL94V-0, GWT 750°C

**SPECIFICATIONS:**  
 Current Rating: 2A AC, DC  
 Voltage Rating: 250V AC, DC  
 Temperature Range: -25°C ~ +85°C  
 Contact Resistance: 20mΩ Max.  
 Insulation Resistance: 1000MΩ Min.  
 Withstanding Voltage: 500V AC/minute  
 Pin Material: Brass/Gold over Nickel  
 Material: Nylon 6T, UL94V-0(Black)

Ordering Information & Dimensions

Circuits	Dim(mm)		Circuits	Dim(mm)		Circuits	Dim(mm)	
	A	B		A	B		A	B
2x2P	2.00	4.00	2x15P	28.00	30.00	2x28P	54.00	56.00
2x3P	4.00	6.00	2x16P	30.00	32.00	2x29P	56.00	58.00
2x4P	6.00	8.00	2x17P	32.00	34.00	2x30P	58.00	60.00
2x5P	8.00	10.00	2x18P	34.00	36.00	2x31P	60.00	62.00
2x6P	10.00	12.00	2x19P	36.00	38.00	2x32P	62.00	64.00
2x7P	12.00	14.00	2x20P	38.00	40.00	2x33P	64.00	66.00
2x8P	14.00	16.00	2x21P	40.00	42.00	2x34P	66.00	68.00
2x9P	16.00	18.00	2x22P	42.00	44.00	2x35P	68.00	70.00
2x10P	18.00	20.00	2x23P	44.00	46.00	2x36P	70.00	72.00
2x11P	20.00	22.00	2x24P	46.00	48.00	2x37P	72.00	74.00
2x12P	22.00	24.00	2x25P	48.00	50.00	2x38P	74.00	76.00
2x13P	24.00	26.00	2x26P	50.00	52.00	2x39P	76.00	78.00
2x14P	26.00	28.00	2x27P	52.00	54.00	2x40P	78.00	80.00



P.C.B LAYOUT  
 TOLERANCE: ±0.05



深圳市华德共创科技有限公司  
 Shenzhen Huade co-create Technology Co., LTD  
 TEL: 0755-27129737 FAX: 0755-29940187

-TOLERANCES- UNLESS OTHERWISE SPECIFIED 公差参数表				TITLE: 产品名称: 2.00mm Pitch 90° Pin Header	
X.X	±0.30	X.X°	±3°	APPD: 核准:	XIE
X.XX	±0.30	X.XX°	±2°	CHECK: 校对:	WANG
X.XXX	±0.10	X.XXX°	±1°	DRAW: 绘图:	WANG
PART NO: 产品编号:		HDGC2005WRE-2xXP		DATE	2017-11-22
SCALE		3:1		UNIT	mm
CODE NUMBER		A008			

修订 REV	标记 MARK	修改摘要 REVISION DESCRIPTION	签名 SIGNATURE	日期 DATE
A0		NEW RELEASE	WANG	2017-11-22

Ordering Information:  
 HDGC2005WRR-2xXP -  $\frac{7}{2} - \frac{777}{3}$   
 1 2 3

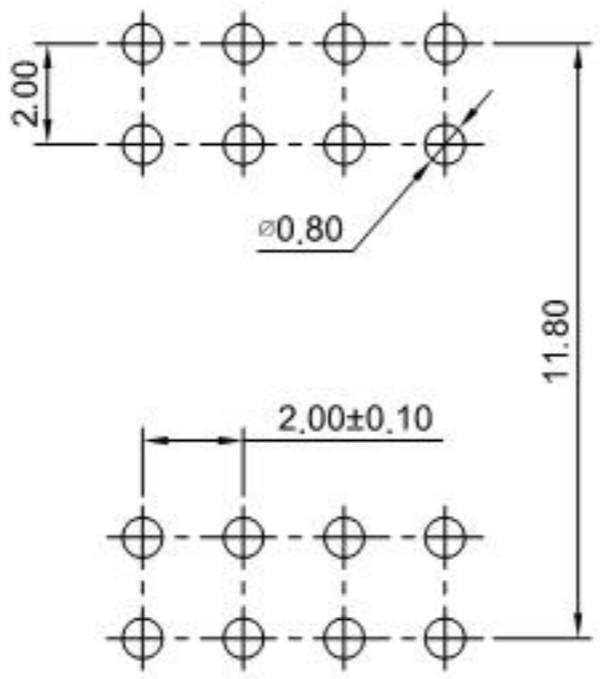
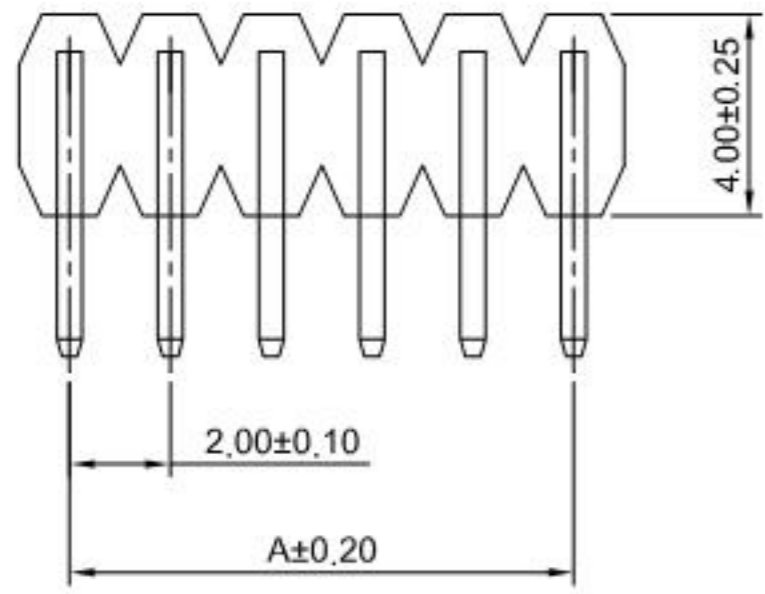
- Part No.
- Finish:  
 (Blank): Gold over Nickel  
 T: Tin over Nickel
- Material:  
 (Blank): Nylon 6T, UL94V-0  
 GWT: Nylon 6T, UL94V-0 GWT 750°C

**SPECIFICATIONS:**

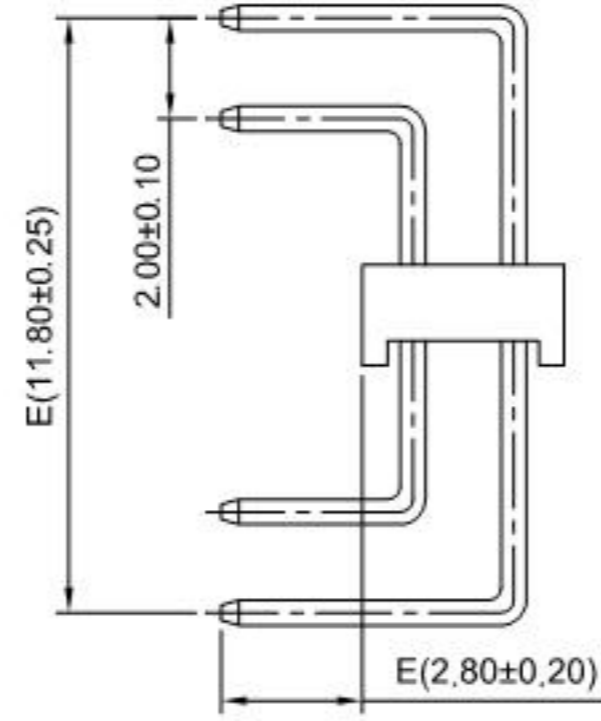
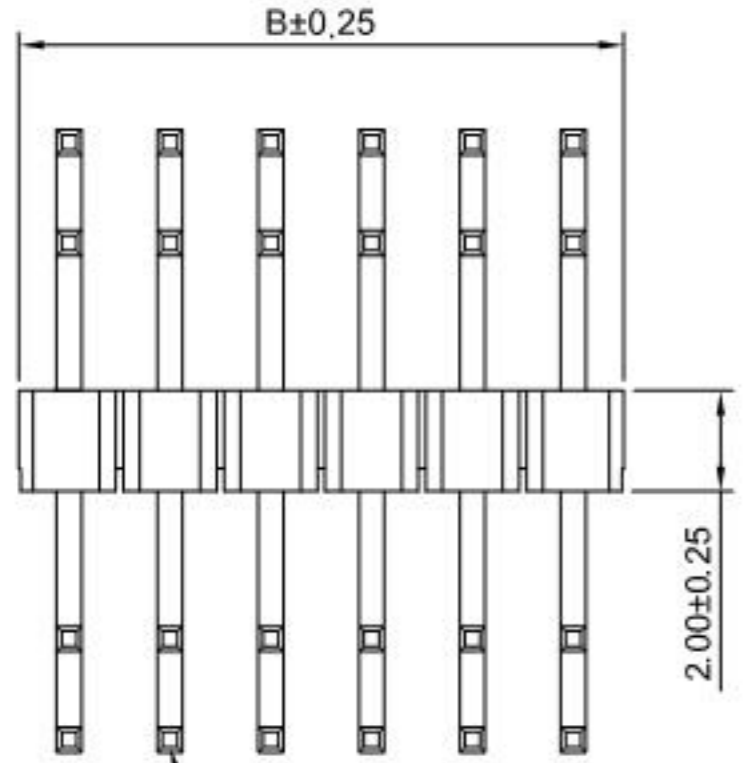
Current Rating: 2A AC,DC  
 Voltage Rating: 250V AC,DC  
 Temperature Range: -25°C ~ +85°C  
 Contact Resistance: 20mΩ Max.  
 Insulation Resistance: 1000MΩ Min.  
 Withstanding Voltage: 500V AC/minute  
 Pin Material: Brass/Gold over Nickel  
 Material: Nylon 6T, UL94V-0(Black)

Ordering Information & Dimensions

Circuits	Dim(mm)		Circuits	Dim(mm)		Circuits	Dim(mm)	
	A	B		A	B		A	B
2x2P	2.00	4.00	2x15P	28.00	30.00	2x28P	54.00	56.00
2x3P	4.00	6.00	2x16P	30.00	32.00	2x29P	56.00	58.00
2x4P	6.00	8.00	2x17P	32.00	34.00	2x30P	58.00	60.00
2x5P	8.00	10.00	2x18P	34.00	36.00	2x31P	60.00	62.00
2x6P	10.00	12.00	2x19P	36.00	38.00	2x32P	62.00	64.00
2x7P	12.00	14.00	2x20P	38.00	40.00	2x33P	64.00	66.00
2x8P	14.00	16.00	2x21P	40.00	42.00	2x34P	66.00	68.00
2x9P	16.00	18.00	2x22P	42.00	44.00	2x35P	68.00	70.00
2x10P	18.00	20.00	2x23P	44.00	46.00	2x36P	70.00	72.00
2x11P	20.00	22.00	2x24P	46.00	48.00	2x37P	72.00	74.00
2x12P	22.00	24.00	2x25P	48.00	50.00	2x38P	74.00	76.00
2x13P	24.00	26.00	2x26P	50.00	52.00	2x39P	76.00	78.00
2x14P	26.00	28.00	2x27P	52.00	54.00	2x40P	78.00	80.00



P.C.B LAYOUT

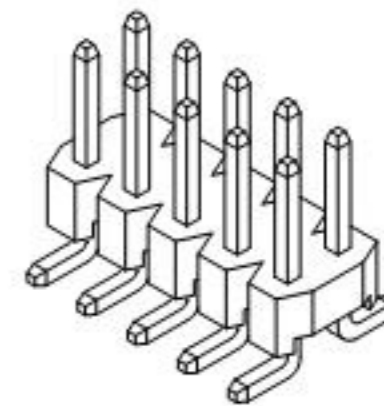
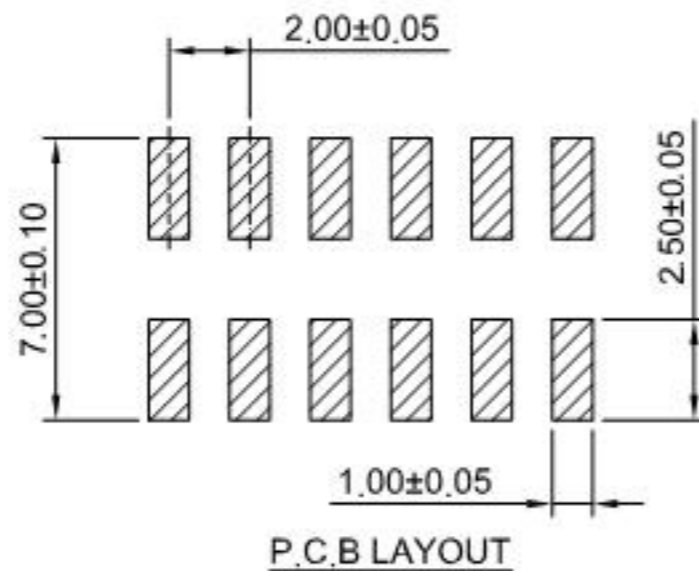
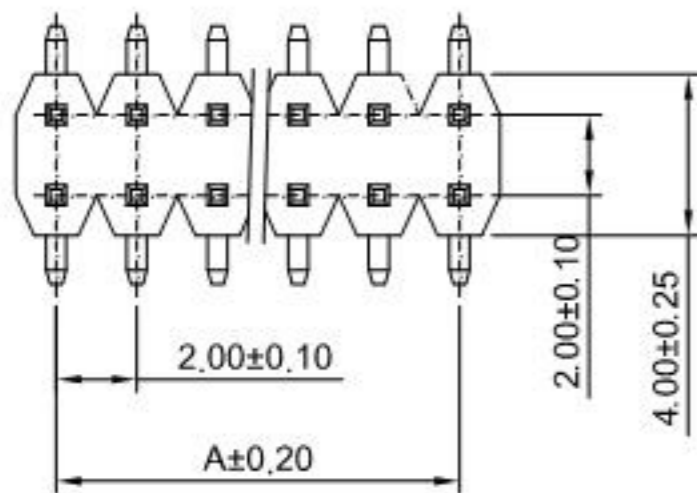


深圳市华德共创科技有限公司

Shenzhen Huade co-create Technology Co., LTD  
 TEL: 0755-27129737 FAX: 0755-29940187

-TOLERANCES- UNLESS OTHERWISE SPECIFIED 公差参数表				TITLE: 产品名称: 2.00mm Pitch 90° Pin Header	
X.X	±0.30	X.X°	±3°	APPD: 核准:	XIE
X.XX	±0.30	X.XX°	±2°	CHECK: 校对:	WANG
X.XXX	±0.10	X.XXX°	±1°	DRAW: 绘图:	WANG
PART NO: 产品编号: HDGC2005WRR-2xXP		DATE	SCALE	UNIT	CODE NUMBER
		2017-11-22	3:1	mm	A008

修订 REV	标记 MARK	修改摘要 REVISION DESCRIPTION	签名 SIGNATURE	日期 DATE
A0		NEW RELEASE	WANG	2017-11-22

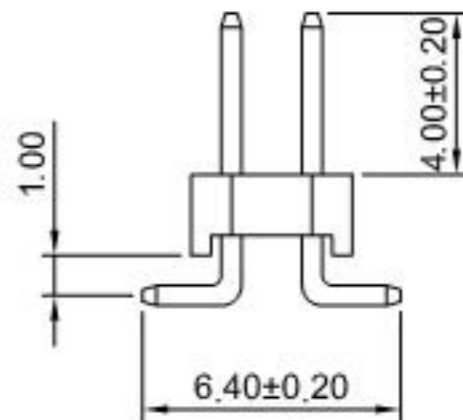
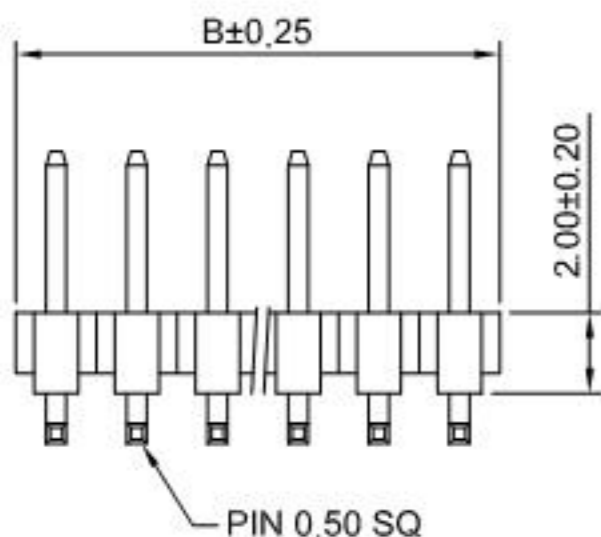


**SPECIFICATIONS:**

Current Rating: 2A AC,DC  
Voltage Rating: 250V AC,DC  
Temperature Range: -25°C ~ +85°C  
Contact Resistance: 20mΩ Max.  
Insulation Resistance: 1000MΩ Min.  
Withstanding Voltage: 500V AC/minute  
Pin Material: Brass/Gold over Nickel  
Material: Nylon 6T,UL94V-0(Black)

**Ordering Information & Dimensions**

Circuits	Dim(mm)		Circuits	Dim(mm)		Circuits	Dim(mm)	
	A	B		A	B		A	B
2x2P	2.00	4.00	2x15P	28.00	30.00	2x28P	54.00	56.00
2x3P	4.00	6.00	2x16P	30.00	32.00	2x29P	56.00	58.00
2x4P	6.00	8.00	2x17P	32.00	34.00	2x30P	58.00	60.00
2x5P	8.00	10.00	2x18P	34.00	36.00	2x31P	60.00	62.00
2x6P	10.00	12.00	2x19P	36.00	38.00	2x32P	62.00	64.00
2x7P	12.00	14.00	2x20P	38.00	40.00	2x33P	64.00	66.00
2x8P	14.00	16.00	2x21P	40.00	42.00	2x34P	66.00	68.00
2x9P	16.00	18.00	2x22P	42.00	44.00	2x35P	68.00	70.00
2x10P	18.00	20.00	2x23P	44.00	46.00	2x36P	70.00	72.00
2x11P	20.00	22.00	2x24P	46.00	48.00	2x37P	72.00	74.00
2x12P	22.00	24.00	2x25P	48.00	50.00	2x38P	74.00	76.00
2x13P	24.00	26.00	2x26P	50.00	52.00	2x39P	76.00	78.00
2x14P	26.00	28.00	2x27P	52.00	54.00	2x40P	78.00	80.00



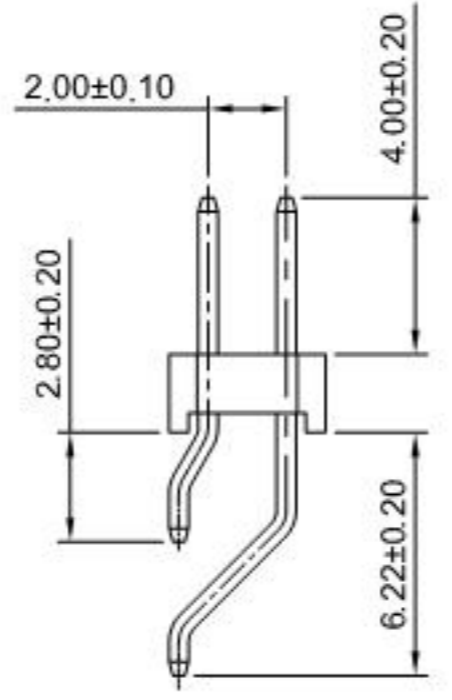
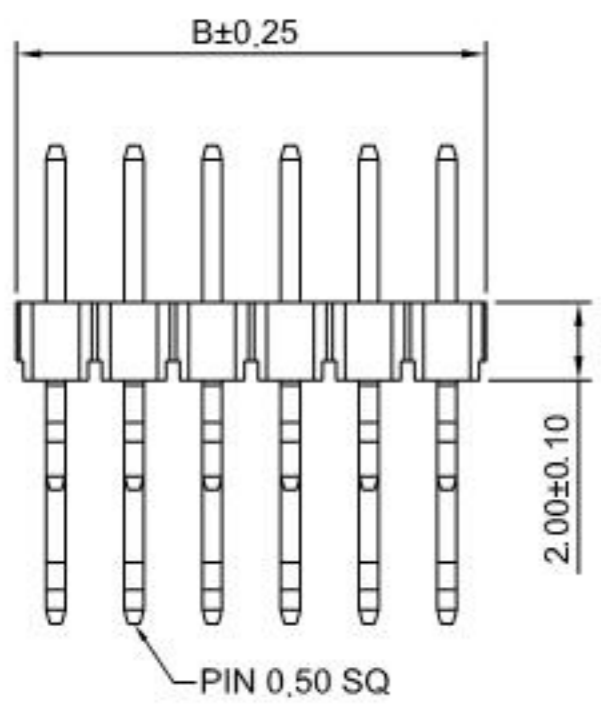
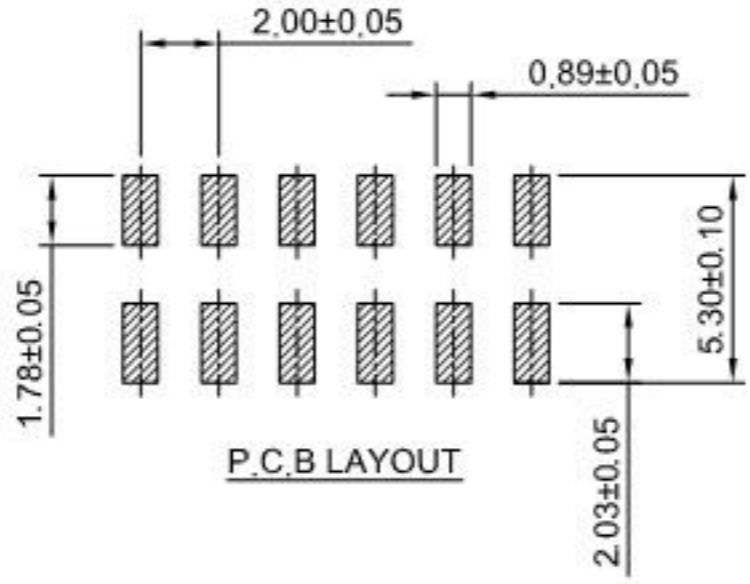
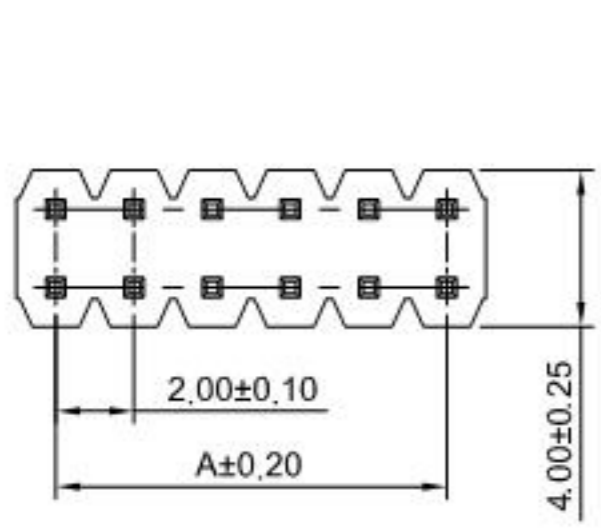
深圳市华德共创科技有限公司

Shenzhen Huade co-create Technology Co., LTD

TEL: 0755-27129737 FAX: 0755-29940187

-TOLERANCES- UNLESS OTHERWISE SPECIFIED 公差参数表						TITLE: 2.00mm Pitch 产品名称: 180° Pin Header			
X.X	±0.30	X.X°	±3°	APPD: 核准:	XIE	PART NO: 产品编号: HDGC2005WV-S-2xXP			
X.XX	±0.30	X.XX°	±2°	CHECK: 校对:	WANG	DATE	SCALE	UNIT	CODE NUMBER
X.XXX	±0.10	X.XXX°	±1°	DRAW: 绘图:	WANG	2017-11-22	4:1	mm	A008

修订 REV	标记 MARK	修改摘要 REVISION DESCRIPTION	签名 SIGNATURE	日期 DATE
A0		NEW RELEASE	WANG	2017-11-22



**SPECIFICATIONS:**

Current Rating: 2A AC,DC  
Voltage Rating: 250V AC,DC  
Temperature Range: -25°C ~ +85°C  
Contact Resistance: 20mΩ Max.  
Insulation Resistance: 1000MΩ Min.  
Withstanding Voltage: 500V AC/minute  
Pin Material: Brass/Gold over Nickel  
Material: Nylon 6T,UL94V-0(Black)

**Ordering Information & Dimensions**

Circuits	Dim(mm)		Circuits	Dim(mm)		Circuits	Dim(mm)	
	A	B		A	B		A	B
2x1P	----	2.00	2x15P	28.00	30.00	2x29P	56.00	58.00
2x2P	2.00	4.00	2x16P	30.00	32.00	2x30P	58.00	60.00
2x3P	4.00	6.00	2x17P	32.00	34.00	2x31P	60.00	62.00
2x4P	6.00	8.00	2x18P	34.00	36.00	2x32P	62.00	64.00
2x5P	8.00	10.00	2x19P	36.00	38.00	2x33P	64.00	66.00
2x6P	10.00	12.00	2x20P	38.00	40.00	2x34P	66.00	68.00
2x7P	12.00	14.00	2x21P	40.00	42.00	2x35P	68.00	70.00
2x8P	14.00	16.00	2x22P	42.00	44.00	2x36P	70.00	72.00
2x9P	16.00	18.00	2x23P	44.00	46.00	2x37P	72.00	74.00
2x10P	18.00	20.00	2x24P	46.00	48.00	2x38P	74.00	76.00
2x11P	20.00	22.00	2x25P	48.00	50.00	2x39P	76.00	78.00
2x12P	22.00	24.00	2x26P	50.00	52.00	2x40P	78.00	80.00
2x13P	24.00	26.00	2x27P	52.00	54.00			
2x14P	26.00	28.00	2x28P	54.00	56.00			



深圳市华德共创科技有限公司

Shenzhen Huade co-create Technology Co., LTD  
TEL: 0755-27129737 FAX: 0755-29940187

-TOLERANCES- UNLESS OTHERWISE SPECIFIED 公差参数表						TITLE: 2.00mm Pitch 产品名称: 90° Pin Header			
X.X	±0.30	X.X°	±3°	APPD: 核准:	XIE	PART NO: 产品编号: HDGC2005WR-S-2xXP			
X.XX	±0.30	X.XX°	±2°	CHECK: 校对:	WANG	DATE	SCALE	UNIT	CODE NUMBER
X.XXX	±0.10	X.XXX°	±1°	DRAW: 绘图:	WANG	2017-11-22	4:1	mm	A008

修订 REV	标记 MARK	修改摘要 REVISION DESCRIPTION	签名 SIGNATURE	日期 DATE
A0		NEW RELEASE	WANG	2017-11-22

Ordering Information:  
 HDGC2005WV-S-F-XP -  $\frac{???}{2}$  -  $\frac{???}{3}$

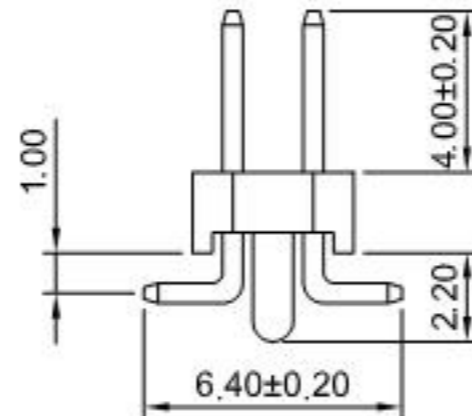
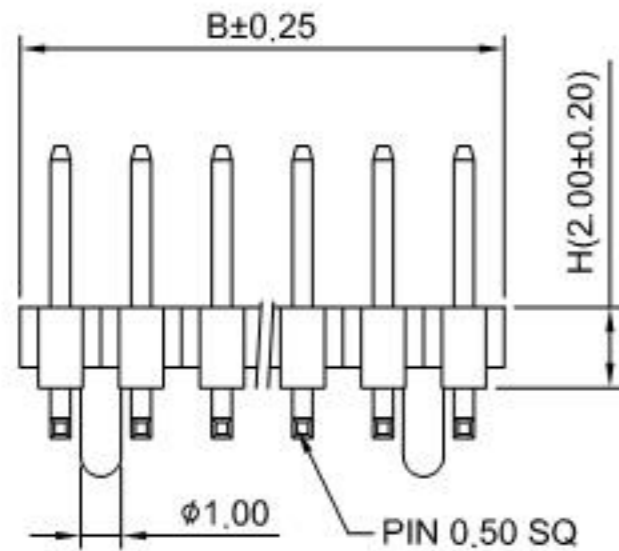
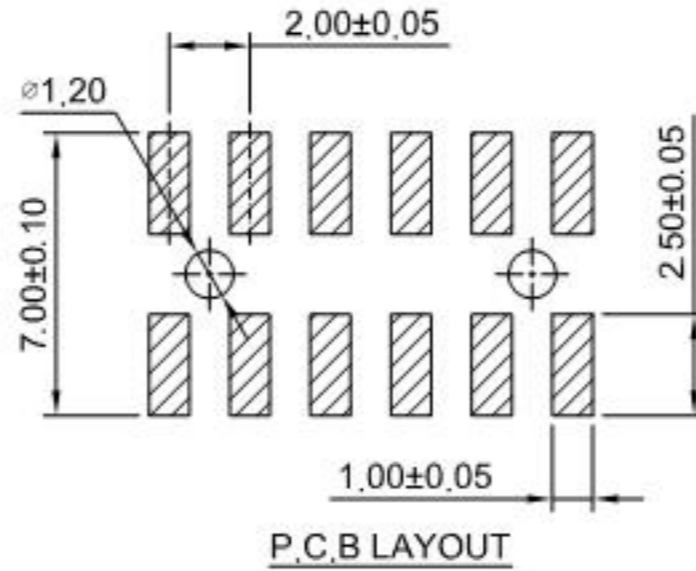
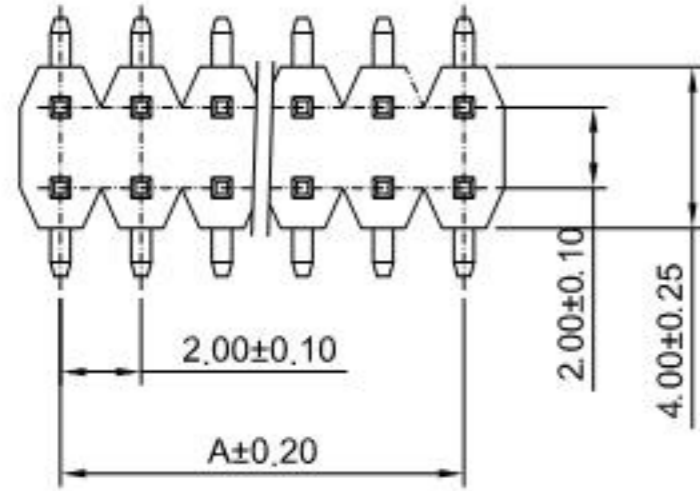
- 1.Part No.
- 2.Type(H):  
 (Blank) : 2.00mm  
 H15 : 1.50mm
- 3.Material:  
 (Blank):Nylon 6T,UL94V-0  
 GWT :Nylon 6T,UL94V-0 GWT 750 °C

**SPECIFICATIONS:**

Current Rating: 2A AC,DC  
 Voltage Rating: 250V AC,DC  
 Temperature Range: -25°C ~ +85°C  
 Contact Resistance: 20mΩ Max.  
 Insulation Resistance: 1000MΩ Min.  
 Withstanding Voltage: 500V AC/minute  
 Pin Material: Brass/Gold over Nickel  
 Material: Nylon 6T,UL94V-0(Black)

**Ordering Information & Dimensions**

Circuits	Dim(mm)		Circuits	Dim(mm)		Circuits	Dim(mm)	
	A	B		A	B		A	B
2x2P	2.00	4.00	2x15P	28.00	30.00	2x28P	54.00	56.00
2x3P	4.00	6.00	2x16P	30.00	32.00	2x29P	56.00	58.00
2x4P	6.00	8.00	2x17P	32.00	34.00	2x30P	58.00	60.00
2x5P	8.00	10.00	2x18P	34.00	36.00	2x31P	60.00	62.00
2x6P	10.00	12.00	2x19P	36.00	38.00	2x32P	62.00	64.00
2x7P	12.00	14.00	2x20P	38.00	40.00	2x33P	64.00	66.00
2x8P	14.00	16.00	2x21P	40.00	42.00	2x34P	66.00	68.00
2x9P	16.00	18.00	2x22P	42.00	44.00	2x35P	68.00	70.00
2x10P	18.00	20.00	2x23P	44.00	46.00	2x36P	70.00	72.00
2x11P	20.00	22.00	2x24P	46.00	48.00	2x37P	72.00	74.00
2x12P	22.00	24.00	2x25P	48.00	50.00	2x38P	74.00	76.00
2x13P	24.00	26.00	2x26P	50.00	52.00	2x39P	76.00	78.00
2x14P	26.00	28.00	2x27P	52.00	54.00	2x40P	78.00	80.00



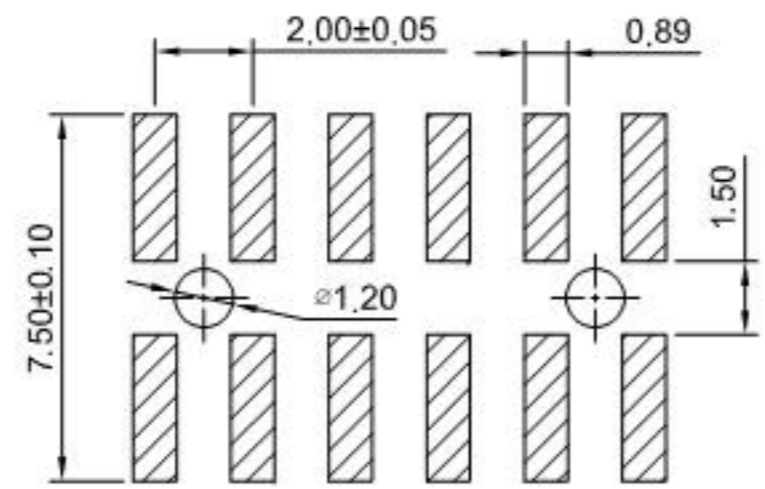
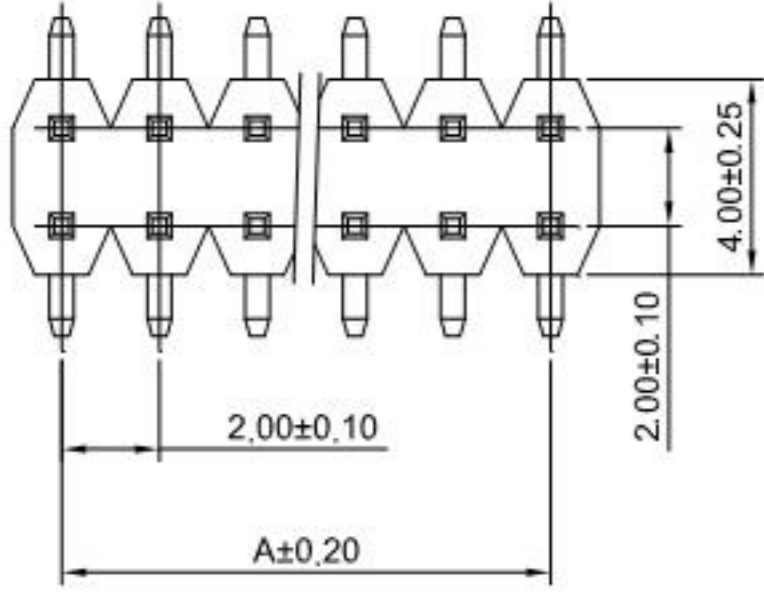
**HDGC** 深圳市华德共创科技有限公司  
 Shenzhen Huade co-create Technology Co., LTD  
 TEL: 0755-27129737 FAX: 0755-29940187

-TOLERANCES- UNLESS OTHERWISE SPECIFIED 公差参数表				TITLE: 2.00mm Pitch 产品名称: 180° Pin Header	
X.X	±0.30	X.X°	±3°	APPD: 核准:	XIE
X.XX	±0.30	X.XX°	±2°	CHECK: 校对:	WANG
X.XXX	±0.10	X.XXX°	±1°	DRAW: 绘图:	WANG
PART NO: 产品编号:		HDGC2005WV-S-F-2xXP		DATE	2017-11-22
SCALE		4:1		UNIT	mm
CODE NUMBER		A008			

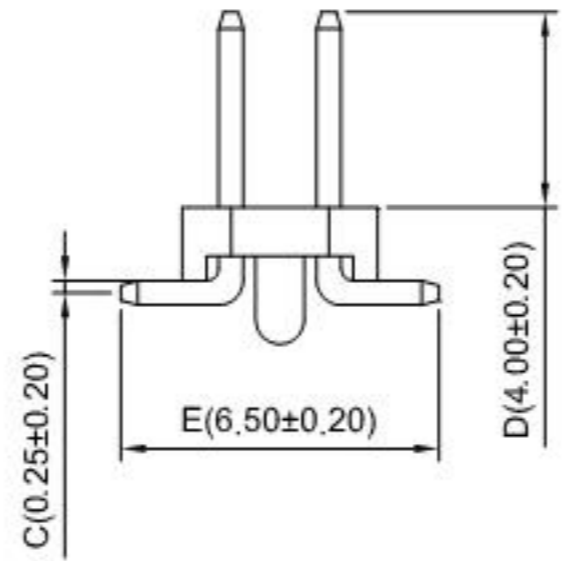
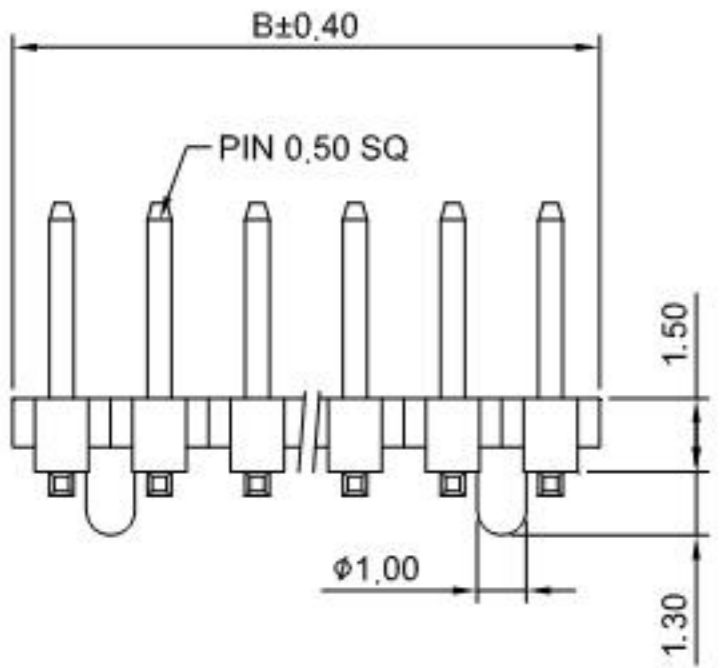
修订 REV	标记 MARK	修改摘要 REVISION DESCRIPTION	签名 SIGNATURE	日期 DATE
A0		NEW RELEASE	WANG	2017-11-22

Ordering Information:  
 HDGC2005WV-S-F1-2xXP-H15 -  $\frac{1}{2}$  -  $\frac{111}{3}$

- 1.Part No.
- 2.Material:  
 (Blank):Nylon 6T,UL94V-0  
 GWT:Nylon 6T,UL94V-0 GWT 750℃
- 3.Finish:  
 (Blank):Gold over Nickel  
 T:Tin over Nickel



P.C.B LAYOUT



SPECIFICATIONS:

- Current Rating: 2A AC,DC
- Voltage Rating: 250V AC,DC
- Temperature Range: -25°C ~ +85°C
- Contact Resistance: 20mΩ Max.
- Insulation Resistance: 1000MΩ Min.
- Withstanding Voltage: 500V AC/minute
- Pin Material: Brass/Gold over Nickel
- Material: Nylon 6T,UL94V-0(Black)

Ordering Information & Dimensions

Circuits	Dim(mm)		Circuits	Dim(mm)		Circuits	Dim(mm)	
	A	B		A	B		A	B
2x2P	2.00	4.00	2x15P	28.00	30.00	2x28P	54.00	56.00
2x3P	4.00	6.00	2x16P	30.00	32.00	2x29P	56.00	58.00
2x4P	6.00	8.00	2x17P	32.00	34.00	2x30P	58.00	60.00
2x5P	8.00	10.00	2x18P	34.00	36.00	2x31P	60.00	62.00
2x6P	10.00	12.00	2x19P	36.00	38.00	2x32P	62.00	64.00
2x7P	12.00	14.00	2x20P	38.00	40.00	2x33P	64.00	66.00
2x8P	14.00	16.00	2x21P	40.00	42.00	2x34P	66.00	68.00
2x9P	16.00	18.00	2x22P	42.00	44.00	2x35P	68.00	70.00
2x10P	18.00	20.00	2x23P	44.00	46.00	2x36P	70.00	72.00
2x11P	20.00	22.00	2x24P	46.00	48.00	2x37P	72.00	74.00
2x12P	22.00	24.00	2x25P	48.00	50.00	2x38P	74.00	76.00
2x13P	24.00	26.00	2x26P	50.00	52.00	2x39P	76.00	78.00
2x14P	26.00	28.00	2x27P	52.00	54.00	2x40P	78.00	80.00

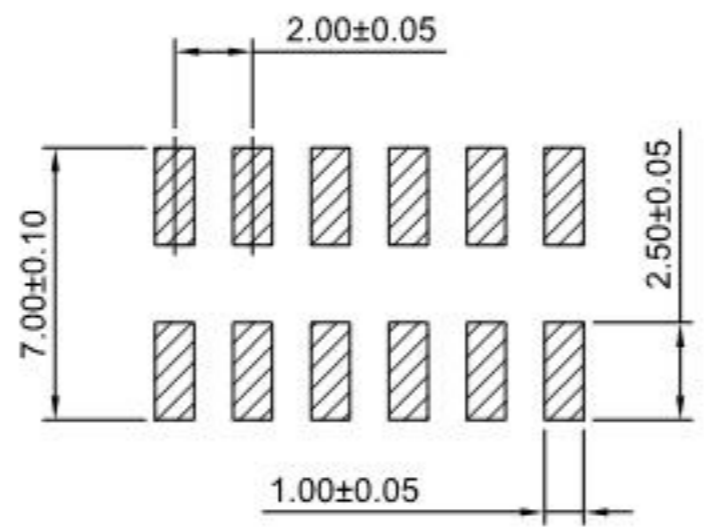
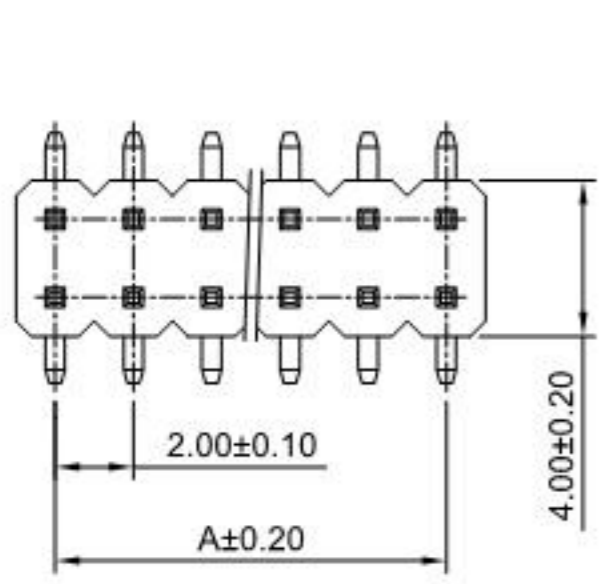


深圳市华德共创科技有限公司

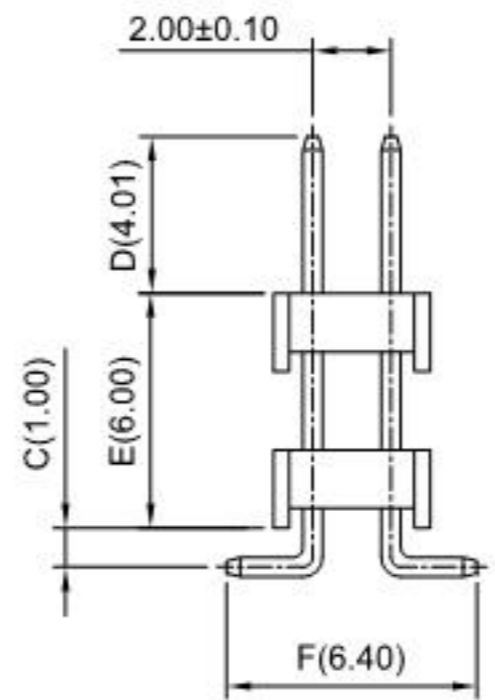
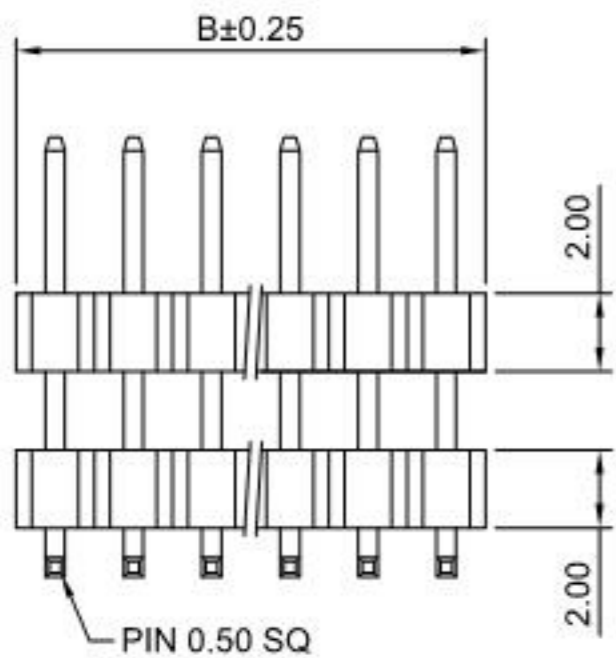
Shenzhen Huade co-create Technology Co., LTD  
 TEL: 0755-27129737 FAX: 0755-29940187

-TOLERANCES- UNLESS OTHERWISE SPECIFIED 公差参数表				TITLE: 2.00mm Pitch 产品名称: 180° Pin Header	
X.X	±0.30	X.X°	±3°	APPD: 核准:	XIE
X.XX	±0.30	X.XX°	±2°	CHECK: 校对:	WANG
X.XXX	±0.10	X.XXX°	±1°	DRAW: 绘图:	WANG
PART NO: 产品编号: HDGC2005WV-S-F1-2xXP-H15		DATE	SCALE	UNIT	CODE NUMBER
		2017-11-22	5:1	mm	A008

修订 REV	标记 MARK	修改摘要 REVISION DESCRIPTION	签名 SIGNATURE	日期 DATE
A0		NEW RELEASE	WANG	2017-11-22



P.C.B LAYOUT



**SPECIFICATIONS:**

Current Rating: 2A AC,DC  
Voltage Rating: 250V AC,DC  
Temperature Range: -25°C ~ +85°C  
Contact Resistance: 20mΩ Max.  
Insulation Resistance: 1000MΩ Min.  
Withstanding Voltage: 500V AC/minute  
Pin Material: Brass/Gold over Nickel  
Material: Nylon 6T,UL94V-0(Black)

**Ordering Information & Dimensions**

Circuits	Dim(mm)		Circuits	Dim(mm)		Circuits	Dim(mm)	
	A	B		A	B		A	B
2x2P	2.00	4.00	2x15P	28.00	30.00	2x28P	54.00	56.00
2x3P	4.00	6.00	2x16P	30.00	32.00	2x29P	56.00	58.00
2x4P	6.00	8.00	2x17P	32.00	34.00	2x30P	58.00	60.00
2x5P	8.00	10.00	2x18P	34.00	36.00	2x31P	60.00	62.00
2x6P	10.00	12.00	2x19P	36.00	38.00	2x32P	62.00	64.00
2x7P	12.00	14.00	2x20P	38.00	40.00	2x33P	64.00	66.00
2x8P	14.00	16.00	2x21P	40.00	42.00	2x34P	66.00	68.00
2x9P	16.00	18.00	2x22P	42.00	44.00	2x35P	68.00	70.00
2x10P	18.00	20.00	2x23P	44.00	46.00	2x36P	70.00	72.00
2x11P	20.00	22.00	2x24P	46.00	48.00	2x37P	72.00	74.00
2x12P	22.00	24.00	2x25P	48.00	50.00	2x38P	74.00	76.00
2x13P	24.00	26.00	2x26P	50.00	52.00	2x39P	76.00	78.00
2x14P	26.00	28.00	2x27P	52.00	54.00	2x40P	78.00	80.00



**深圳市华德共创科技有限公司**  
Shenzhen Huade co-create Technology Co., LTD  
TEL: 0755-27129737 FAX: 0755-29940187

-TOLERANCES- UNLESS OTHERWISE SPECIFIED 公差参数表						TITLE: 2.00mm Pitch 产品名称: 180° Pin Header			
X.X	±0.30	X.X°	±3°	APPD: 核准:	XIE	PART NO: 产品编号: HDGC2005WVA-S-2xXP			
X.XX	±0.30	X.XX°	±2°	CHECK: 校对:	WANG	DATE	SCALE	UNIT	CODE NUMBER
X.XXX	±0.10	X.XXX°	±1°	DRAW: 绘图:	WANG	2017-11-22	4:1	mm	A008

修订 REV	标记 MARK	修改摘要 REVISION DESCRIPTION	签名 SIGNATURE	日期 DATE
A0		NEW RELEASE	WANG	2017-11-22

Ordering Information:  
 HDGC2005WVA-S-2xXP-H15-R - <sup>\*\*\*</sup>/<sub>2</sub> - <sup>\*\*\*</sup>/<sub>3</sub>

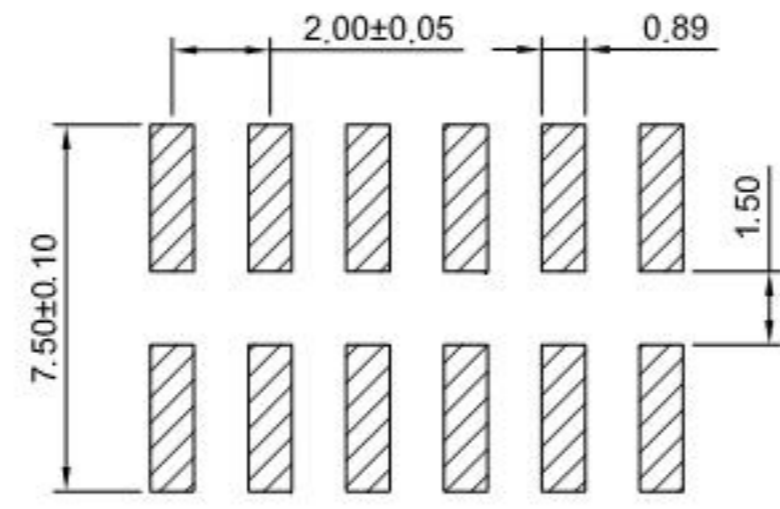
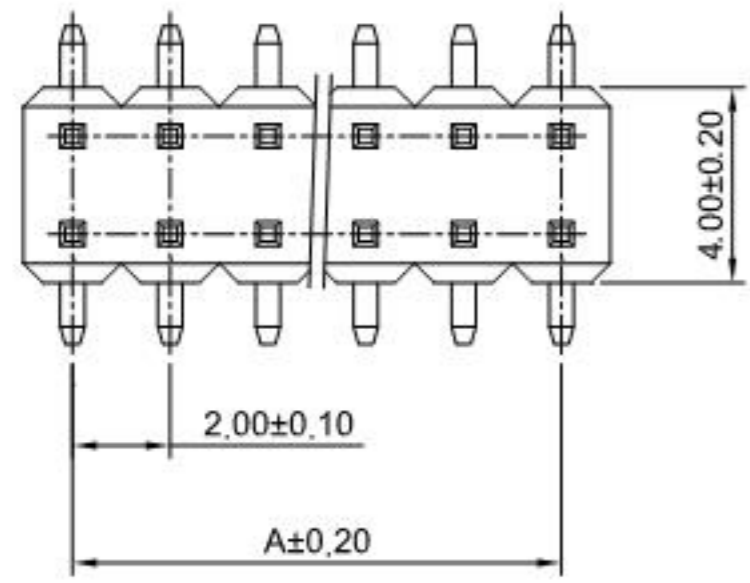
- Part No.
- Material:  
 (Blank): Nylon 6T, UL94V-0  
 GWT: Nylon 6T, UL94V-0 GWT 750°C
- Finish:  
 (Blank): Gold over Nickel  
 T: Tin over Nickel

**SPECIFICATIONS:**

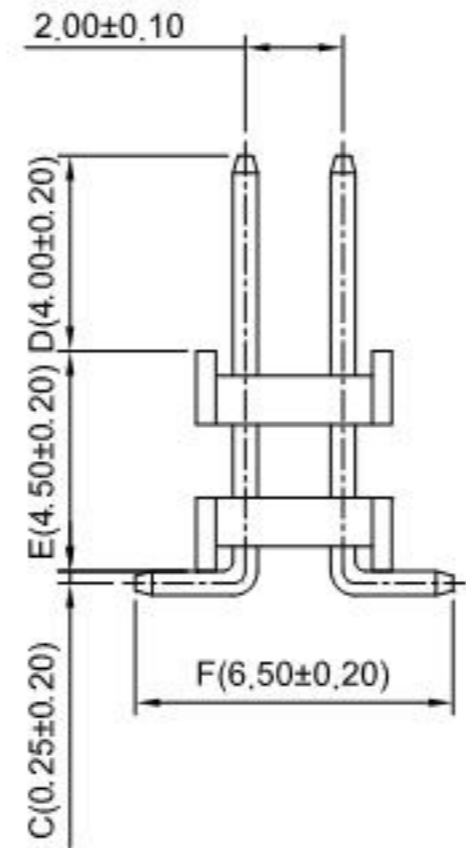
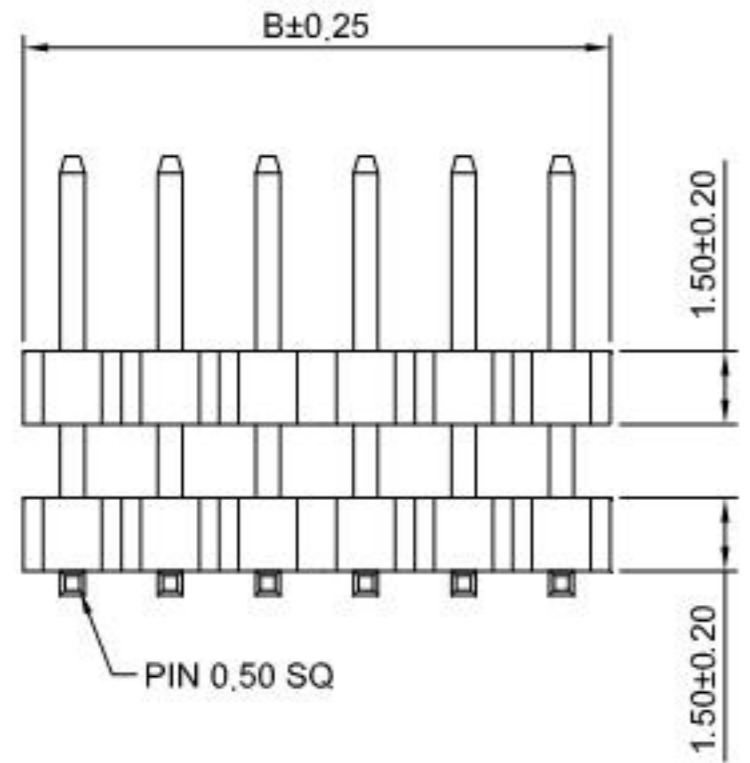
Current Rating: 2A AC,DC  
 Voltage Rating: 250V AC,DC  
 Temperature Range: -25°C ~ +85°C  
 Contact Resistance: 20mΩ Max.  
 Insulation Resistance: 1000MΩ Min.  
 Withstanding Voltage: 500V AC/minute  
 Pin Material: Brass/Gold over Nickel  
 Material: Nylon 6T, UL94V-0(Black)

Ordering Information & Dimensions

Circuits	Dim(mm)		Circuits	Dim(mm)		Circuits	Dim(mm)	
	A	B		A	B		A	B
2x2P	2.00	4.00	2x15P	28.00	30.00	2x28P	54.00	56.00
2x3P	4.00	6.00	2x16P	30.00	32.00	2x29P	56.00	58.00
2x4P	6.00	8.00	2x17P	32.00	34.00	2x30P	58.00	60.00
2x5P	8.00	10.00	2x18P	34.00	36.00	2x31P	60.00	62.00
2x6P	10.00	12.00	2x19P	36.00	38.00	2x32P	62.00	64.00
2x7P	12.00	14.00	2x20P	38.00	40.00	2x33P	64.00	66.00
2x8P	14.00	16.00	2x21P	40.00	42.00	2x34P	66.00	68.00
2x9P	16.00	18.00	2x22P	42.00	44.00	2x35P	68.00	70.00
2x10P	18.00	20.00	2x23P	44.00	46.00	2x36P	70.00	72.00
2x11P	20.00	22.00	2x24P	46.00	48.00	2x37P	72.00	74.00
2x12P	22.00	24.00	2x25P	48.00	50.00	2x38P	74.00	76.00
2x13P	24.00	26.00	2x26P	50.00	52.00	2x39P	76.00	78.00
2x14P	26.00	28.00	2x27P	52.00	54.00	2x40P	78.00	80.00



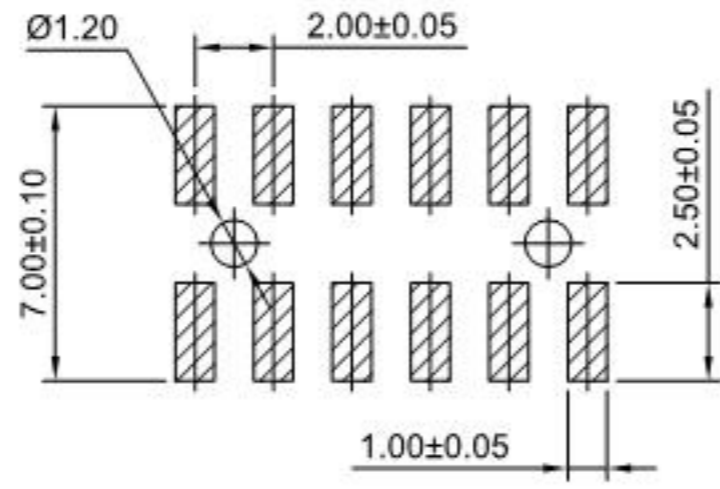
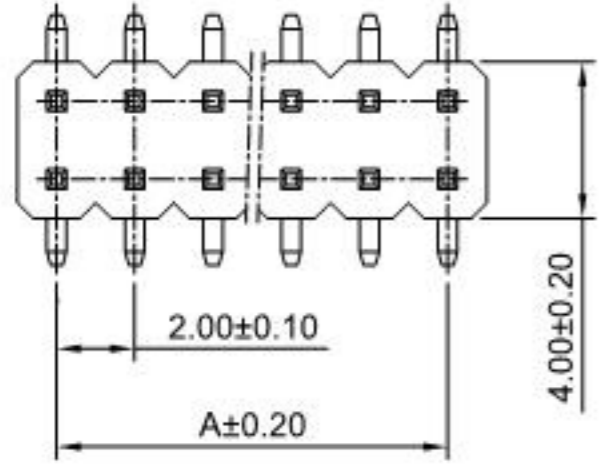
P.C.B LAYOUT



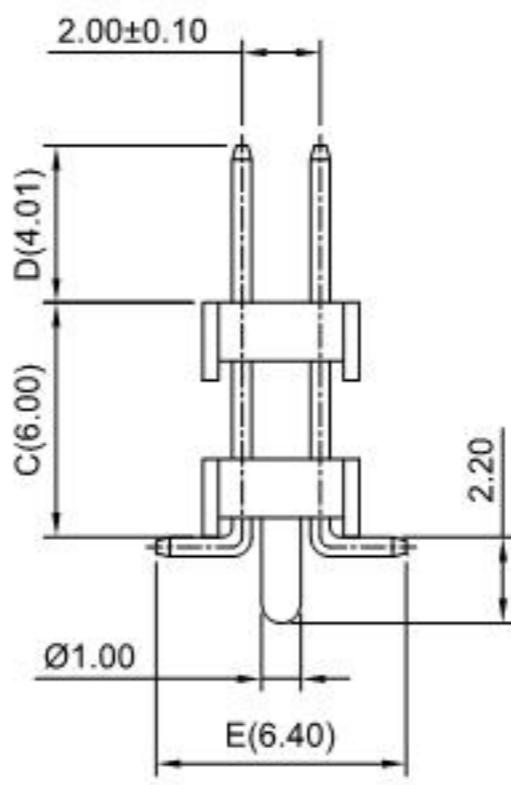
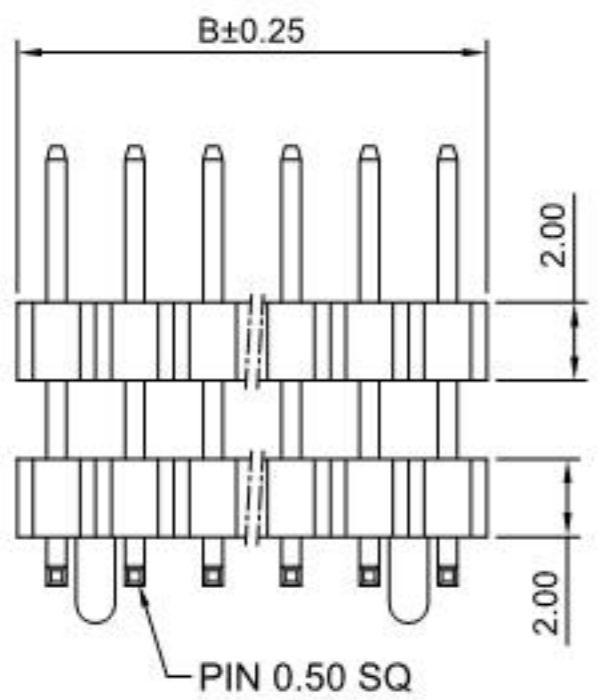
**HDGC** 深圳市华德共创科技有限公司  
 Shenzhen Huade co-create Technology Co., LTD  
 TEL: 0755-27129737 FAX: 0755-29940187

-TOLERANCES- UNLESS OTHERWISE SPECIFIED 公差参数表				TITLE: 2.00mm Pitch 产品名称: 180° Pin Header	
X.X	±0.30	X.X°	±3°	APPD: 核准:	XIE
X.XX	±0.30	X.XX°	±2°	CHECK: 校对:	WANG
X.XXX	±0.10	X.XXX°	±1°	DRAW: 绘图:	WANG
PART NO: 产品编号: HDGC2005WVA-S-2xXP-H15-R		DATE	SCALE	UNIT	CODE NUMBER
		2017-11-22	5:1	mm	A008

修订 REV	标记 MARK	修改摘要 REVISION DESCRIPTION	签名 SIGNATURE	日期 DATE
A0		NEW RELEASE	WANG	2017-11-22



P.C.B LAYOUT



**SPECIFICATIONS:**

Current Rating: 2A AC,DC  
Voltage Rating: 250V AC,DC  
Temperature Range: -25°C ~ +85°C  
Contact Resistance: 20mΩ Max.  
Insulation Resistance: 1000MΩ Min.  
Withstanding Voltage: 500V AC/minute  
Pin Material: Brass/Gold over Nickel  
Material: Nylon 6T,UL94V-0(Black)

**Ordering Information & Dimensions**

Circuits	Dim(mm)		Circuits	Dim(mm)		Circuits	Dim(mm)	
	A	B		A	B		A	B
2x2P	2.00	4.00	2x15P	28.00	30.00	2x28P	54.00	56.00
2x3P	4.00	6.00	2x16P	30.00	32.00	2x29P	56.00	58.00
2x4P	6.00	8.00	2x17P	32.00	34.00	2x30P	58.00	60.00
2x5P	8.00	10.00	2x18P	34.00	36.00	2x31P	60.00	62.00
2x6P	10.00	12.00	2x19P	36.00	38.00	2x32P	62.00	64.00
2x7P	12.00	14.00	2x20P	38.00	40.00	2x33P	64.00	66.00
2x8P	14.00	16.00	2x21P	40.00	42.00	2x34P	66.00	68.00
2x9P	16.00	18.00	2x22P	42.00	44.00	2x35P	68.00	70.00
2x10P	18.00	20.00	2x23P	44.00	46.00	2x36P	70.00	72.00
2x11P	20.00	22.00	2x24P	46.00	48.00	2x37P	72.00	74.00
2x12P	22.00	24.00	2x25P	48.00	50.00	2x38P	74.00	76.00
2x13P	24.00	26.00	2x26P	50.00	52.00	2x39P	76.00	78.00
2x14P	26.00	28.00	2x27P	52.00	54.00	2x40P	78.00	80.00



深圳市华德共创科技有限公司

Shenzhen Huade co-create Technology Co., LTD

TEL: 0755-27129737 FAX: 0755-29940187

-TOLERANCES- UNLESS OTHERWISE SPECIFIED 公差参数表						TITLE: 2.00mm Pitch 产品名称: 180° Pin Header			
X.X	±0.30	X.X°	±3°	APPD: 核准:	XIE	PART NO: 产品编号: HDGC2005WVA-S-F-2xXP			
X.XX	±0.30	X.XX°	±2°	CHECK: 校对:	WANG	DATE	SCALE	UNIT	CODE NUMBER
X.XXX	±0.10	X.XXX°	±1°	DRAW: 绘图:	WANG	2017-11-22	4:1	mm	A008

修订 REV	标记 MARK	修改摘要 REVISION DESCRIPTION	签名 SIGNATURE	日期 DATE
A0		NEW RELEASE	WANG	2017-11-22

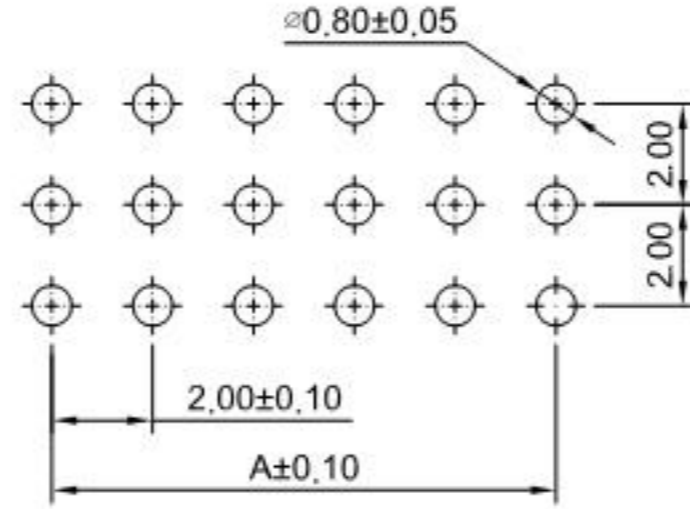
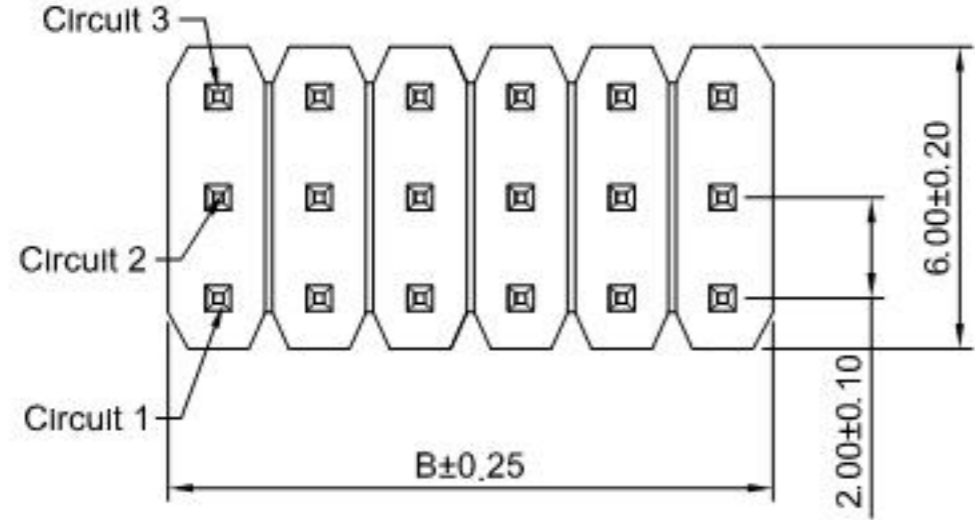
Ordering Information:  
 HDGC2005WV-3xXP -  $\frac{xxx}{1}$  -  $\frac{xxx}{2}$  -  $\frac{xxx}{3}$

- 1, Part No.
- 2, Finish:  
 (Blank): Gold over Nickel  
 T: Tin over Nickel
- 3, Material:  
 (Blank): Nylon 6T, UL94V-0  
 GWT: Nylon 6T, UL94V-0 GWT 750°C

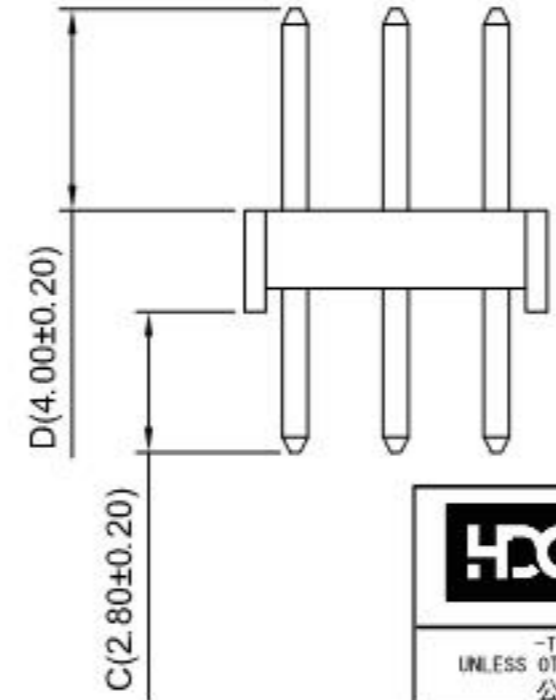
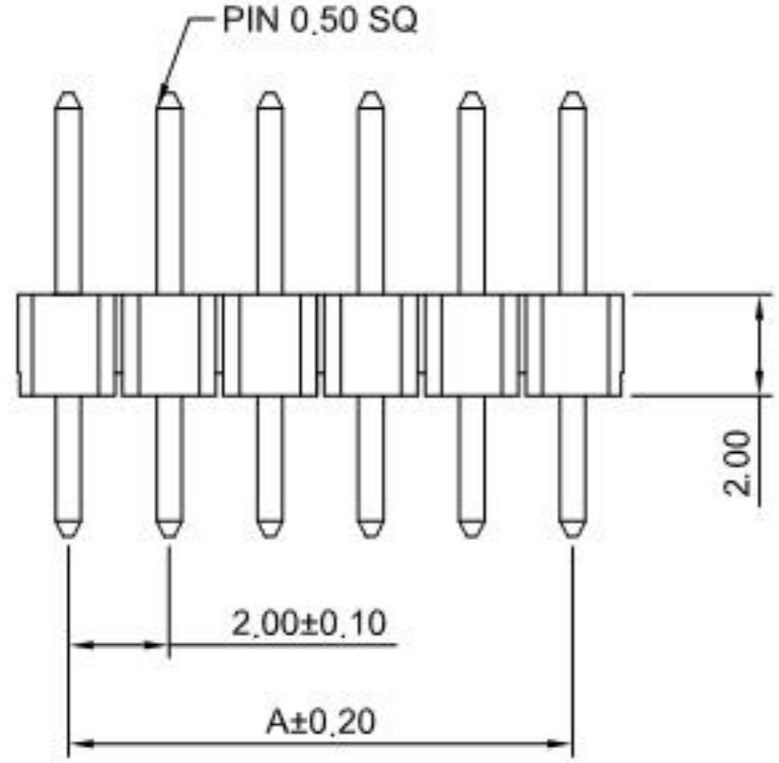
**SPECIFICATIONS:**  
 Current Rating: 2A AC, DC  
 Voltage Rating: 250V AC, DC  
 Temperature Range: -25°C ~ +85°C  
 Contact Resistance: 20mΩ Max.  
 Insulation Resistance: 1000MΩ Min.  
 Withstanding Voltage: 500V AC/minute  
 Pin Material: Brass/Gold over Nickel  
 Material: Nylon 6T, UL94V-0(Black)

Ordering Information & Dimensions

Circuits	Dim(mm)		Circuits	Dim(mm)		Circuits	Dim(mm)	
	A	B		A	B		A	B
3x2P	2.00	4.00	3x15P	28.00	30.00	3x28P	54.00	56.00
3x3P	4.00	6.00	3x16P	30.00	32.00	3x29P	56.00	58.00
3x4P	6.00	8.00	3x17P	32.00	34.00	3x30P	58.00	60.00
3x5P	8.00	10.00	3x18P	34.00	36.00	3x31P	60.00	62.00
3x6P	10.00	12.00	3x19P	36.00	38.00	3x32P	62.00	64.00
3x7P	12.00	14.00	3x20P	38.00	40.00	3x33P	64.00	66.00
3x8P	14.00	16.00	3x21P	40.00	42.00	3x34P	66.00	68.00
3x9P	16.00	18.00	3x22P	42.00	44.00	3x35P	68.00	70.00
3x10P	18.00	20.00	3x23P	44.00	46.00	3x36P	70.00	72.00
3x11P	20.00	22.00	3x24P	46.00	48.00	3x37P	72.00	74.00
3x12P	22.00	24.00	3x25P	48.00	50.00	3x38P	74.00	76.00
3x13P	24.00	26.00	3x26P	50.00	52.00	3x39P	76.00	78.00
3x14P	26.00	28.00	3x27P	52.00	54.00	3x40P	78.00	80.00



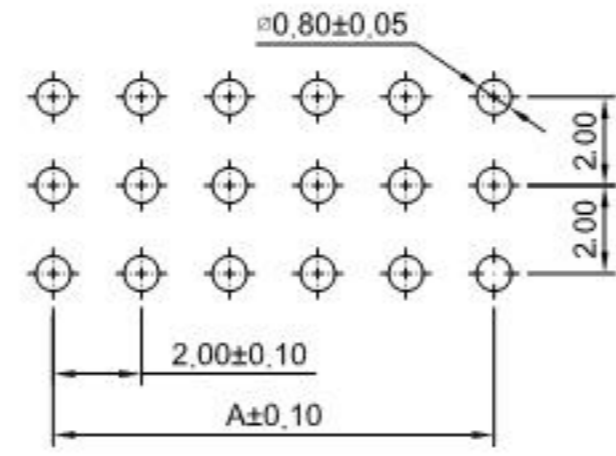
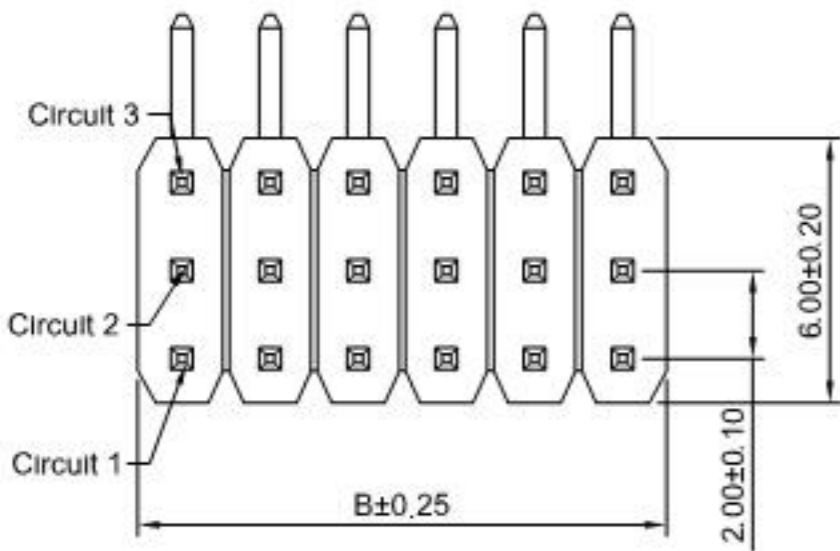
P.C.B LAYOUT



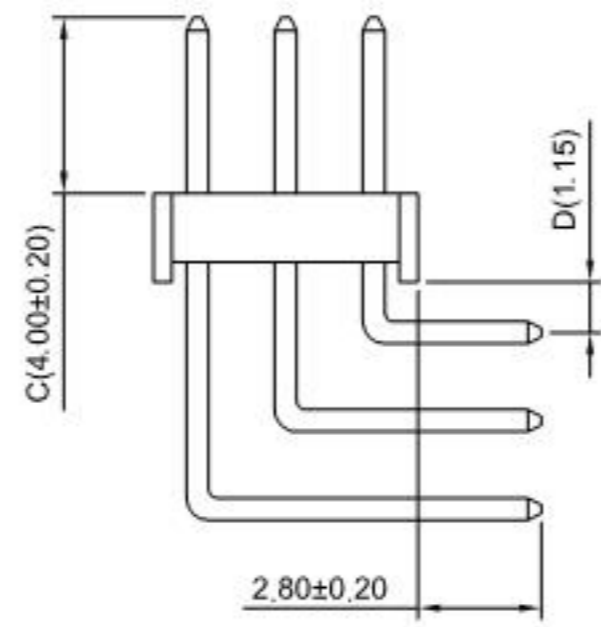
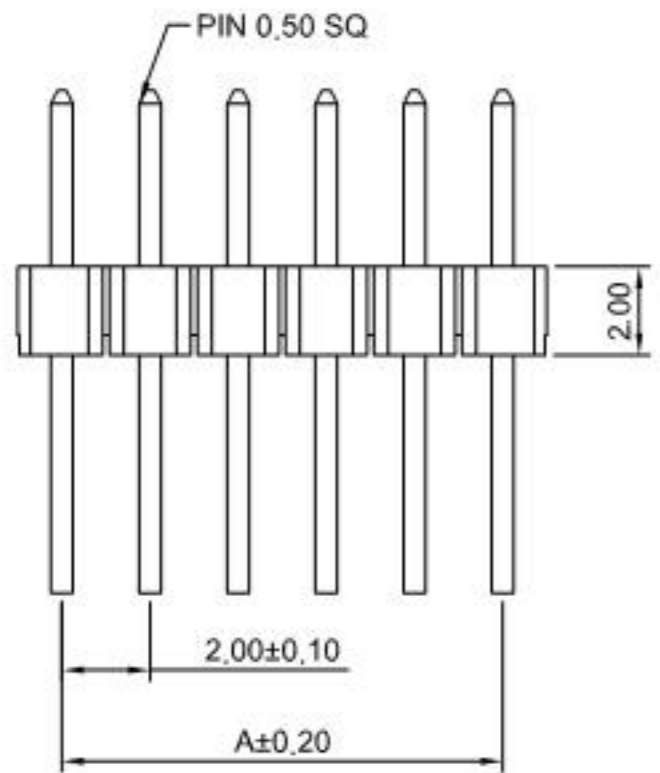
深圳市华德共创科技有限公司  
 Shenzhen Huade co-create Technology Co., LTD  
 TEL: 0755-27129737 FAX: 0755-29940187

-TOLERANCES- UNLESS OTHERWISE SPECIFIED 公差参数表				TITLE: 2.00mm Pitch 产品名称: 180° Pin Header	
X.X	±0.30	X.X°	±3°	APPD: 核准:	XIE
X.XX	±0.30	X.XX°	±2°	CHECK: 校对:	WANG
X.XXX	±0.10	X.XXX°	±1°	DRAW: 绘图:	WANG
PART NO: 产品编号:		HDGC2005WV-3xXP		DATE	2017-11-22
SCALE		5:1		UNIT	mm
CODE NUMBER		A008			

修订 REV	标记 MARK	修改摘要 REVISION DESCRIPTION	签名 SIGNATURE	日期 DATE
A0		NEW RELEASE	WANG	2017-11-22



P.C.B LAYOUT



**SPECIFICATIONS:**

Current Rating: 2A AC,DC  
Voltage Rating: 250V AC,DC  
Temperature Range: -25°C ~ +85°C  
Contact Resistance: 20mΩ Max.  
Insulation Resistance: 1000MΩ Min.  
Withstanding Voltage: 500V AC/minute  
Pin Material: Brass/Gold over Nickel  
Material: Nylon 6T,UL94V-0(Black)

**Ordering Information & Dimensions**

Circuits	Dim(mm)		Circuits	Dim(mm)		Circuits	Dim(mm)	
	A	B		A	B		A	B
3x2P	2.00	4.00	3x15P	28.00	30.00	3x28P	54.00	56.00
3x3P	4.00	6.00	3x16P	30.00	32.00	3x29P	56.00	58.00
3x4P	6.00	8.00	3x17P	32.00	34.00	3x30P	58.00	60.00
3x5P	8.00	10.00	3x18P	34.00	36.00	3x31P	60.00	62.00
3x6P	10.00	12.00	3x19P	36.00	38.00	3x32P	62.00	64.00
3x7P	12.00	14.00	3x20P	38.00	40.00	3x33P	64.00	66.00
3x8P	14.00	16.00	3x21P	40.00	42.00	3x34P	66.00	68.00
3x9P	16.00	18.00	3x22P	42.00	44.00	3x35P	68.00	70.00
3x10P	18.00	20.00	3x23P	44.00	46.00	3x36P	70.00	72.00
3x11P	20.00	22.00	3x24P	46.00	48.00	3x37P	72.00	74.00
3x12P	22.00	24.00	3x25P	48.00	50.00	3x38P	74.00	76.00
3x13P	24.00	26.00	3x26P	50.00	52.00	3x39P	76.00	78.00
3x14P	26.00	28.00	3x27P	52.00	54.00	3x40P	78.00	80.00



深圳市华德共创科技有限公司

Shenzhen Huade co-create Technology Co., LTD

TEL: 0755-27129737 FAX: 0755-29940187

-TOLERANCES- UNLESS OTHERWISE SPECIFIED 公差参数表				TITLE: 2.00mm Pitch 产品名称: 90° Pin Header	
X.X	±0.30	X.X°	±3°	APPD: 核准:	XIE
X.XX	±0.30	X.XX°	±2°	CHECK: 校对:	WANG
X.XXX	±0.10	X.XXX°	±1°	DRAW: 绘图:	WANG
PART NO: 产品编号:			DATE	SCALE	UNIT
HDGC2005WR-3xXP			2017-11-22	5:1	mm
CODE NUMBER			A008		

修订 REV	标记 MARK	修改摘要 REVISION DESCRIPTION	签名 SIGNATURE	日期 DATE
A0		NEW RELEASE	WANG	2017-11-22

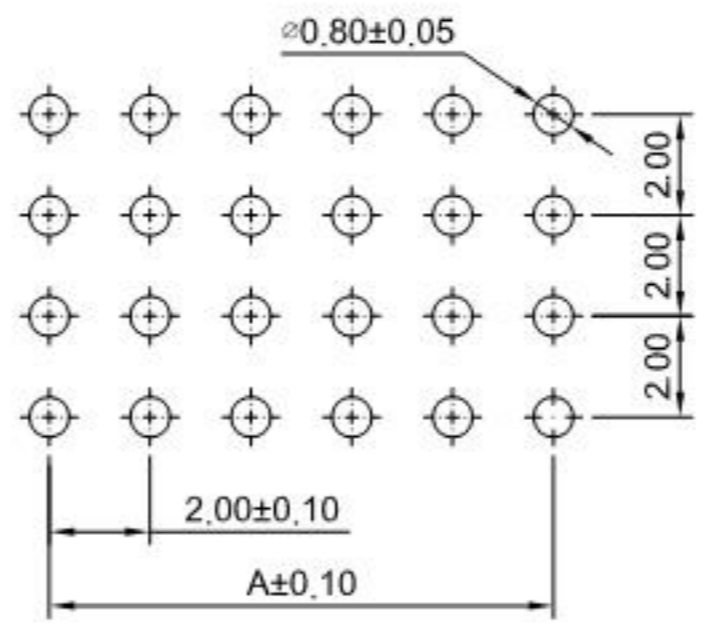
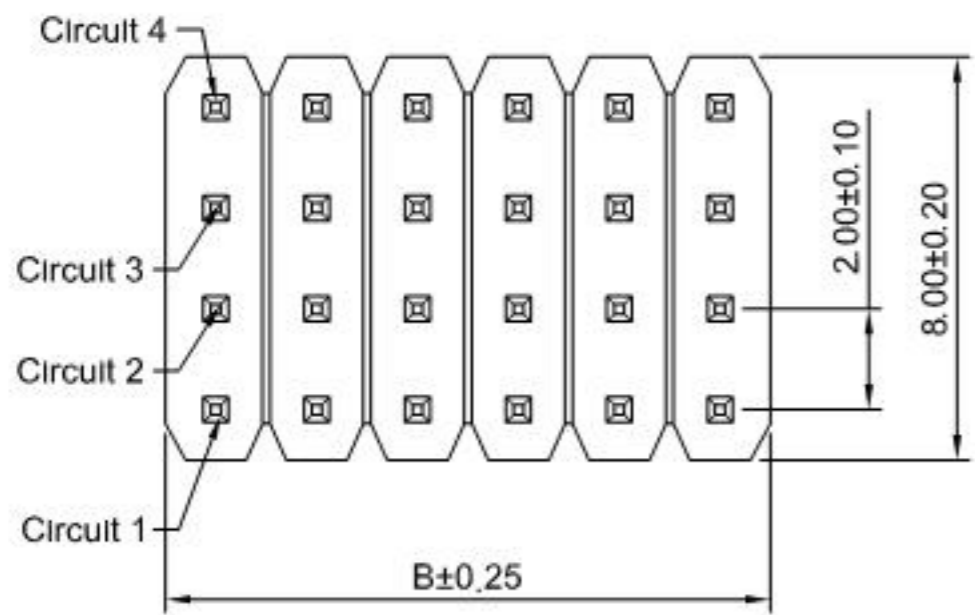
Ordering Information:  
 HDGC2005WV-4xXP - <sup>\*\*\*</sup>/<sub>1</sub> - <sup>\*\*\*</sup>/<sub>2</sub> - <sup>\*\*\*</sup>/<sub>3</sub>

- 1, Part No.
- 2, Finish:  
 (Blank): Gold over Nickel  
 T: Tin over Nickel
- 3, Material:  
 (Blank): Nylon 6T, UL94V-0  
 GWT: Nylon 6T, UL94V-0 GWT 750 °C

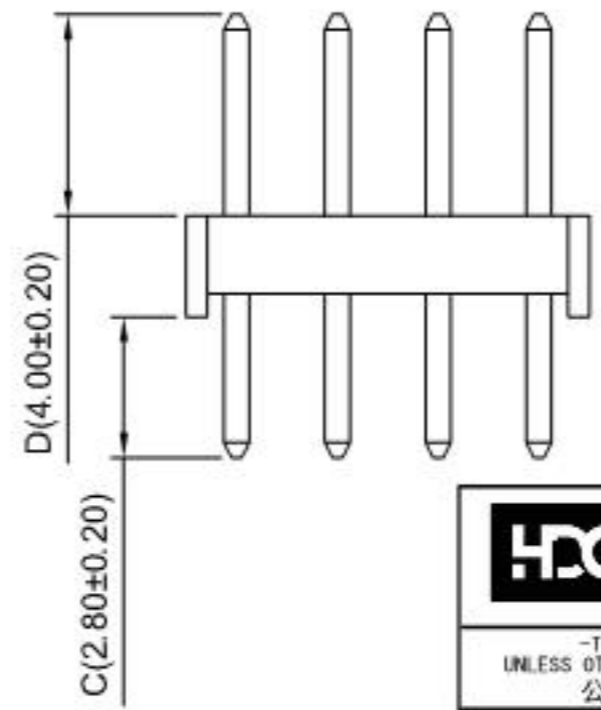
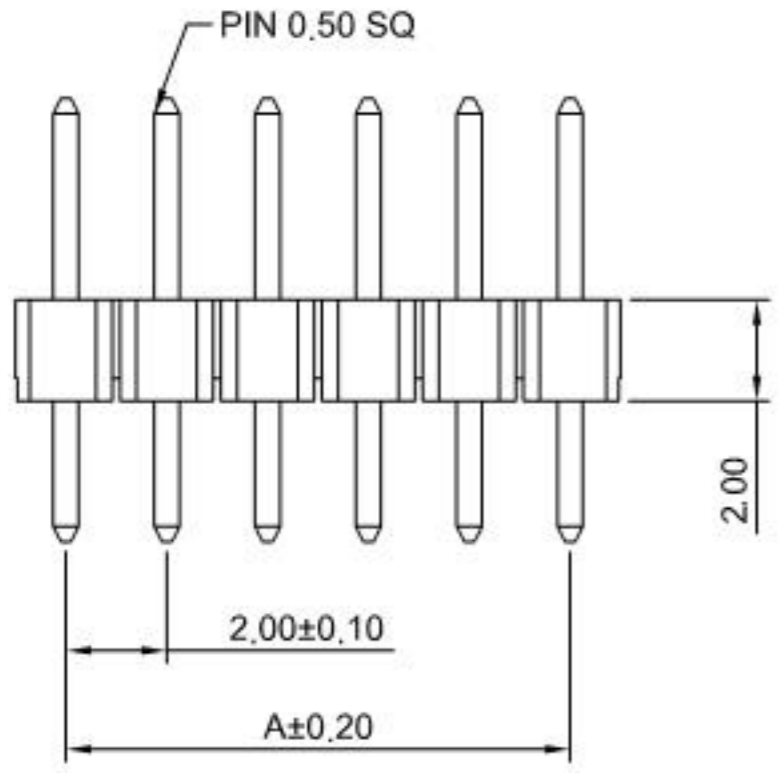
**SPECIFICATIONS:**  
 Current Rating: 2A AC, DC  
 Voltage Rating: 250V AC, DC  
 Temperature Range: -25°C ~ +85°C  
 Contact Resistance: 20mΩ Max.  
 Insulation Resistance: 1000MΩ Min.  
 Withstanding Voltage: 500V AC/minute  
 Pin Material: Brass/Gold over Nickel  
 Material: Nylon 6T, UL94V-0(Black)

Ordering Information & Dimensions

Circuits	Dim(mm)		Circuits	Dim(mm)		Circuits	Dim(mm)	
	A	B		A	B		A	B
4x2P	2.00	4.00	4x15P	28.00	30.00	4x28P	54.00	56.00
4x3P	4.00	6.00	4x16P	30.00	32.00	4x29P	56.00	58.00
4x4P	6.00	8.00	4x17P	32.00	34.00	4x30P	58.00	60.00
4x5P	8.00	10.00	4x18P	34.00	36.00	4x31P	60.00	62.00
4x6P	10.00	12.00	4x19P	36.00	38.00	4x32P	62.00	64.00
4x7P	12.00	14.00	4x20P	38.00	40.00	4x33P	64.00	66.00
4x8P	14.00	16.00	4x21P	40.00	42.00	4x34P	66.00	68.00
4x9P	16.00	18.00	4x22P	42.00	44.00	4x35P	68.00	70.00
4x10P	18.00	20.00	4x23P	44.00	46.00	4x36P	70.00	72.00
4x11P	20.00	22.00	4x24P	46.00	48.00	4x37P	72.00	74.00
4x12P	22.00	24.00	4x25P	48.00	50.00	4x38P	74.00	76.00
4x13P	24.00	26.00	4x26P	50.00	52.00	4x39P	76.00	78.00
4x14P	26.00	28.00	4x27P	52.00	54.00	4x40P	78.00	80.00



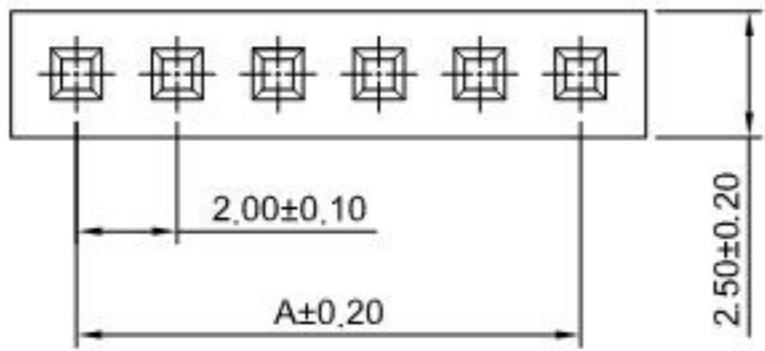
P.C.B LAYOUT



深圳市华德共创科技有限公司  
 Shenzhen Huade co-create Technology Co., LTD  
 TEL: 0755-27129737 FAX: 0755-29940187

-TOLERANCES- UNLESS OTHERWISE SPECIFIED 公差参数表				TITLE: 2.00mm Pitch 产品名称: 180° Pin Header	
X.X	±0.30	X.X°	±3°	APPD: 核准:	XIE
X.XX	±0.30	X.XX°	±2°	CHECK: 校对:	WANG
X.XXX	±0.10	X.XXX°	±1°	DRAW: 绘图:	WANG
PART NO: 产品编号:		HDGC2005WV-4xXP		DATE	2017-11-22
SCALE		5:1		UNIT	mm
CODE NUMBER		A008			

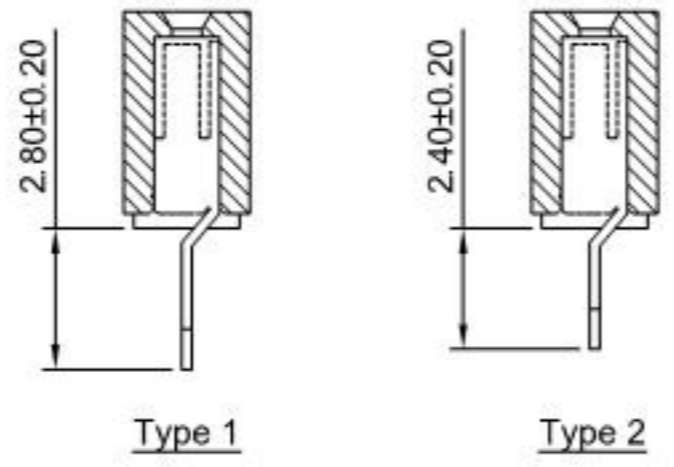
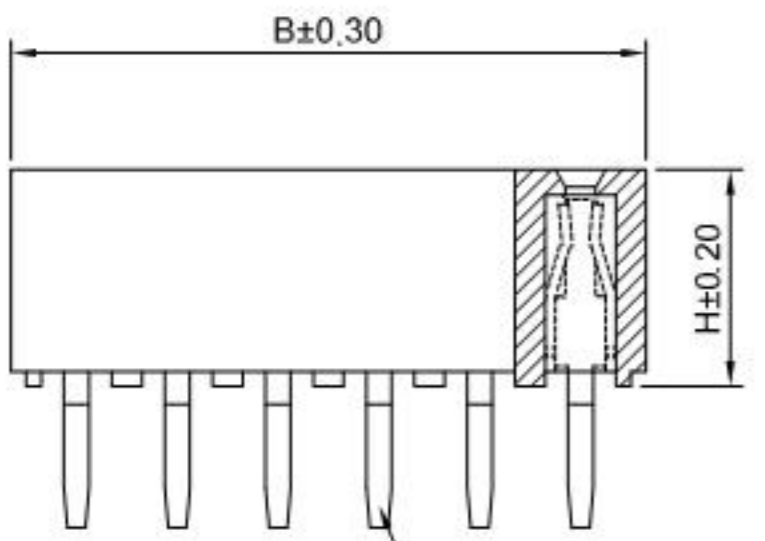
修订 REV	标记 MARK	修改摘要 REVISION DESCRIPTION	签名 SIGNATURE	日期 DATE
A0		NEW RELEASE	WANG	2011-11-22



Ordering Information:  
**HDGC2005HWV-XP - XXX - X**  
 1                      2                      3

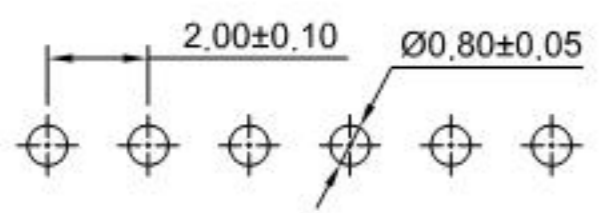
1. Part No.  
 2. Size(H):  
 (blank): 4.30mm  
 H40: 4.00mm  
 H46: 4.60mm  
 3. Type:  
 (blank): Type 1  
 L: Type 2

**SPECIFICATIONS:**  
 Current Rating: 2A AC,DC  
 Voltage Rating: 250V AC,DC  
 Temperature Range: -25°C ~ +85°C  
 Contact Resistance: 20mΩ Max  
 Insulation Resistance: 1000MΩ Min  
 Withstanding Voltage: 500V AC/minute  
 Pin Material: Phosphor Bronze/Gold over Nickel  
 Material: Nylon 6T,UL94V-0(Black)



Ordering Information & Dimensions

Circuits	Dim(mm)		Circuits	Dim(mm)		Circuits	Dim(mm)	
	A	B		A	B		A	B
2P	2.00	4.60	15P	28.00	30.60	28P	54.00	56.60
3P	4.00	6.60	16P	30.00	32.60	29P	56.00	58.60
4P	6.00	8.60	17P	32.00	34.60	30P	58.00	60.60
5P	8.00	10.60	18P	34.00	36.60	31P	60.00	62.60
6P	10.00	12.60	19P	36.00	38.60	32P	62.00	64.60
7P	12.00	14.60	20P	38.00	40.60	33P	64.00	66.60
8P	14.00	16.60	21P	40.00	42.60	34P	66.00	68.60
9P	16.00	18.60	22P	42.00	44.60	35P	68.00	70.60
10P	18.00	20.60	23P	44.00	46.60	36P	70.00	72.60
11P	20.00	22.60	24P	46.00	48.60	37P	72.00	74.60
12P	22.00	24.60	25P	48.00	50.60	38P	74.00	76.60
13P	24.00	26.60	26P	50.00	52.60	39P	76.00	78.60
14P	26.00	28.60	27P	52.00	54.60	40P	78.00	80.60

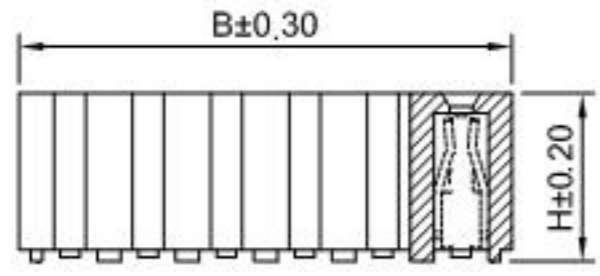
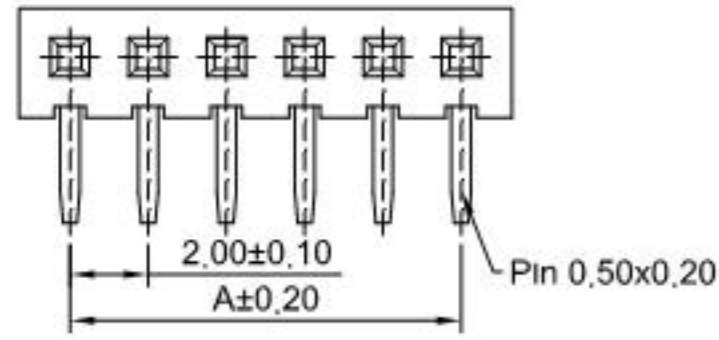


PCB LAYOUT

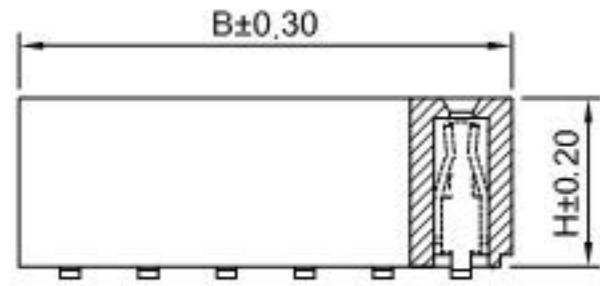
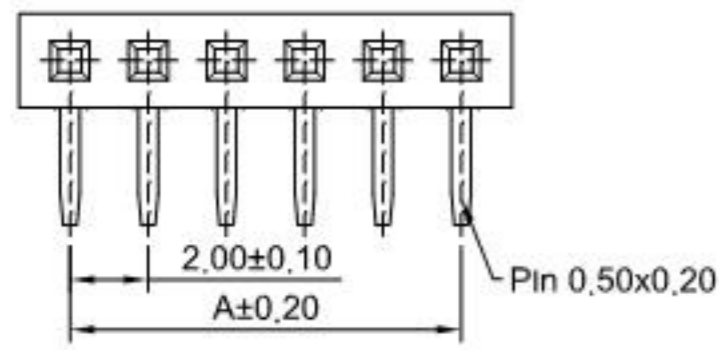
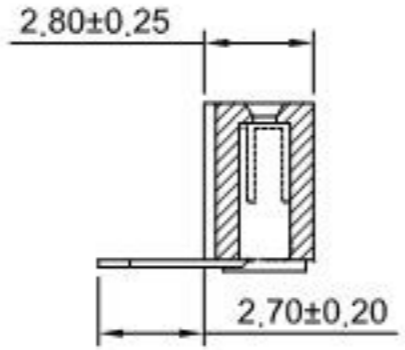
**HDGC** 深圳市华德共创科技有限公司  
 Shenzhen Huade co-create Technology Co., LTD  
 TEL: 0755-27129737 FAX: 0755-29940187

-TOLERANCES- UNLESS OTHERWISE SPECIFIED 公差参数表				TITLE: 2.00mm Pitch 产品名称: 180° Header	
X.X	±0.30	X.X°	±3°	APPD: 核准:	XIE
X.XX	±0.30	X.XX°	±2°	CHECK: 校对:	WANG
X.XXX	±0.10	X.XXX°	±1°	DRAW: 绘图:	WANG
PART NO: 产品编号:		HDGC2005HWV-XP		DATE	2011-11-22
SCALE		4:1	UNIT	mm	CODE NUMBER
					A008

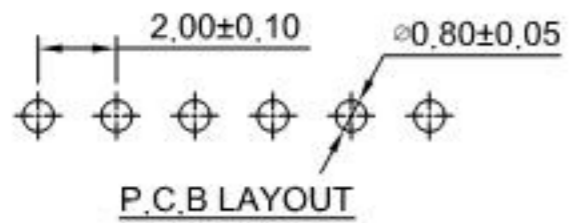
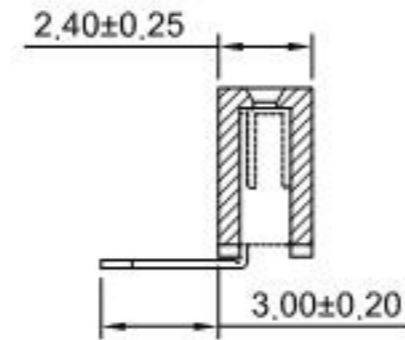
修订 REV	标记 MARK	修改摘要 REVISION DESCRIPTION	签名 SIGNATURE	日期 DATE
A0		NEW RELEASE	WANG	2011-11-22



TYPE 1



TYPE 2



P.C.B LAYOUT

Ordering Information:

HDGC2005HWR-XP -  $\frac{x}{1}$  -  $\frac{y}{2}$  -  $\frac{z}{3}$  -  $\frac{w}{4}$  -  $\frac{v}{5}$

- Part No.
- Style:  
(blank): TYPE 1  
2: TYPE 2
- Size(H):  
(blank): 4.30mm  
H40: 4.00mm  
H46: 4.60mm
- Material:  
(blank): Nylon 6T, UL94V-0  
GWT: Nylon 6T, UL94V-0, GWT 750°C
- Finish:  
(blank): Gold over Nickel(1u")  
G15: Gold over Nickel(15u")  
G30: Gold over Nickel(30u")  
T: Tin over Nickel

SPECIFICATIONS:

Current Rating: 2A AC,DC  
Voltage Rating: 250V AC,DC  
Temperature Range: -25°C ~ +85°C  
Contact Resistance: 20mΩ Max  
Insulation Resistance: 1000MΩ Min  
Withstanding Voltage: 500V AC/minute  
Pin Material: Phosphor Bronze/Gold over Nickel  
Material: Nylon 6T, UL94V-0(Black)

Ordering Information & Dimensions

Circuits	Dim(mm)		Circuits	Dim(mm)		Circuits	Dim(mm)	
	A	B		A	B		A	B
2P	2.00	4.60	15P	28.00	30.60	28P	54.00	56.60
3P	4.00	6.60	16P	30.00	32.60	29P	56.00	58.60
4P	6.00	8.60	17P	32.00	34.60	30P	58.00	60.60
5P	8.00	10.60	18P	34.00	36.60	31P	60.00	62.60
6P	10.00	12.60	19P	36.00	38.60	32P	62.00	64.60
7P	12.00	14.60	20P	38.00	40.60	33P	64.00	66.60
8P	14.00	16.60	21P	40.00	42.60	34P	66.00	68.60
9P	16.00	18.60	22P	42.00	44.60	35P	68.00	70.60
10P	18.00	20.60	23P	44.00	46.60	36P	70.00	72.60
11P	20.00	22.60	24P	46.00	48.60	37P	72.00	74.60
12P	22.00	24.60	25P	48.00	50.60	38P	74.00	76.60
13P	24.00	26.60	26P	50.00	52.60	39P	76.00	78.60
14P	26.00	28.60	27P	52.00	54.60	40P	78.00	80.60

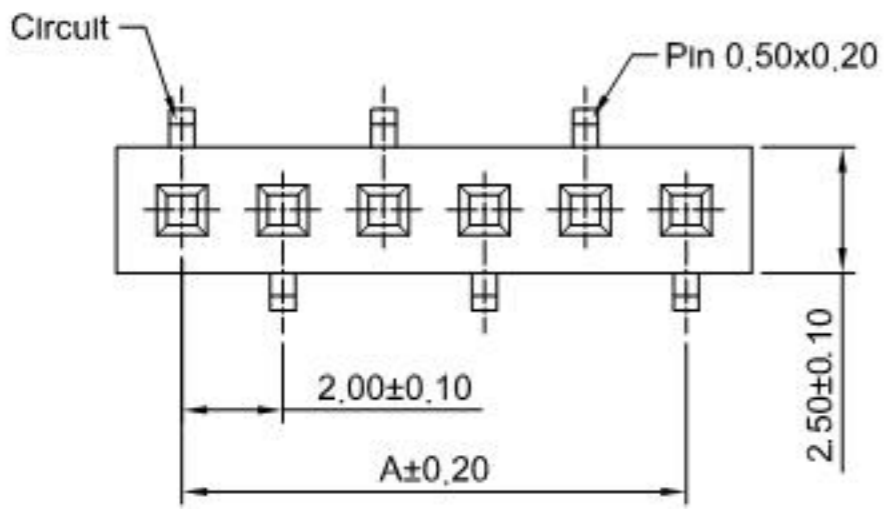


深圳市华德共创科技有限公司

Shenzhen Huade co-create Technology Co., LTD  
TEL: 0755-27129737 FAX: 0755-29940187

-TOLERANCES- UNLESS OTHERWISE SPECIFIED 公差参数表				TITLE: 2.00mm Pitch 产品名称: 90° Female Header	
X.X	±0.30	X.X°	±3°	APPD: 核准:	XIE
X.XX	±0.30	X.XX°	±2°	CHECK: 校对:	WANG
X.XXX	±0.10	X.XXX°	±1°	DRAW: 绘图:	WANG
PART NO: 产品编号:		DATE		SCALE	UNIT
HDGC2005HWR-XP		2011-11-22		4:1	mm
				CODE NUMBER	A008

修订 REV	标记 MARK	修改摘要 REVISION DESCRIPTION	签名 SIGNATURE	日期 DATE
A0		NEW RELEASE	WANG	2011-11-22

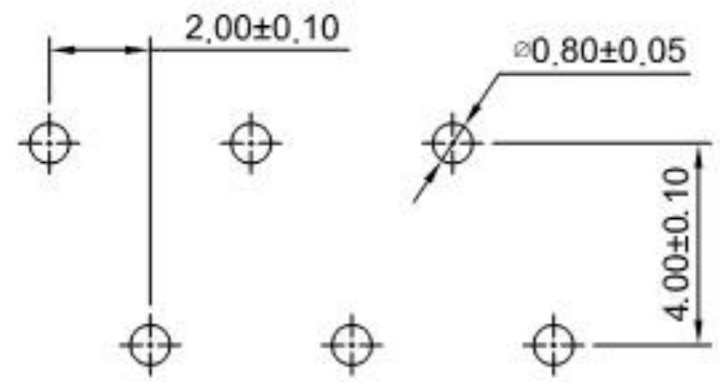
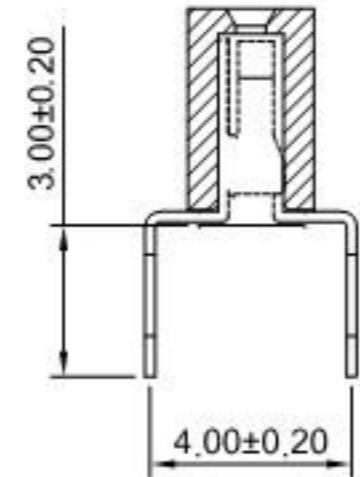
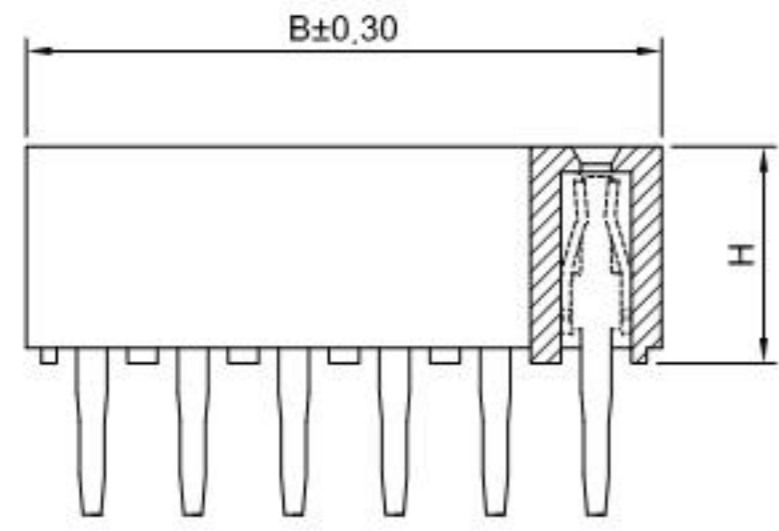


Ordering Information:  
**HDGC2005HWV-XP-A - XX**  
 1  
 2  
 1. Part No.  
 2. Size(H):  
 (blank): 4.30mm  
 H40: 4.00mm  
 H46: 4.60mm

**SPECIFICATIONS:**  
 Current Rating: 2A AC,DC  
 Voltage Rating: 250V AC,DC  
 Temperature Range: -25°C ~ +85°C  
 Contact Resistance: 20mΩ Max  
 Insulation Resistance: 1000MΩ Min  
 Withstanding Voltage: 500V AC/minute  
 Pin Material: Phosphor Bronze/Gold over Nickel  
 Material: Nylon 6T, UL94V-0(Black)

Ordering Information & Dimensions

Circuits	Dim(mm)		Circuits	Dim(mm)		Circuits	Dim(mm)	
	A	B		A	B		A	B
2P	2.00	4.60	15P	28.00	30.60	28P	54.00	56.60
3P	4.00	6.60	16P	30.00	32.60	29P	56.00	58.60
4P	6.00	8.60	17P	32.00	34.60	30P	58.00	60.60
5P	8.00	10.60	18P	34.00	36.60	31P	60.00	62.60
6P	10.00	12.60	19P	36.00	38.60	32P	62.00	64.60
7P	12.00	14.60	20P	38.00	40.60	33P	64.00	66.60
8P	14.00	16.60	21P	40.00	42.60	34P	66.00	68.60
9P	16.00	18.60	22P	42.00	44.60	35P	68.00	70.60
10P	18.00	20.60	23P	44.00	46.60	36P	70.00	72.60
11P	20.00	22.60	24P	46.00	48.60	37P	72.00	74.60
12P	22.00	24.60	25P	48.00	50.60	38P	74.00	76.60
13P	24.00	26.60	26P	50.00	52.60	39P	76.00	78.60
14P	26.00	28.60	27P	52.00	54.60	40P	78.00	80.60



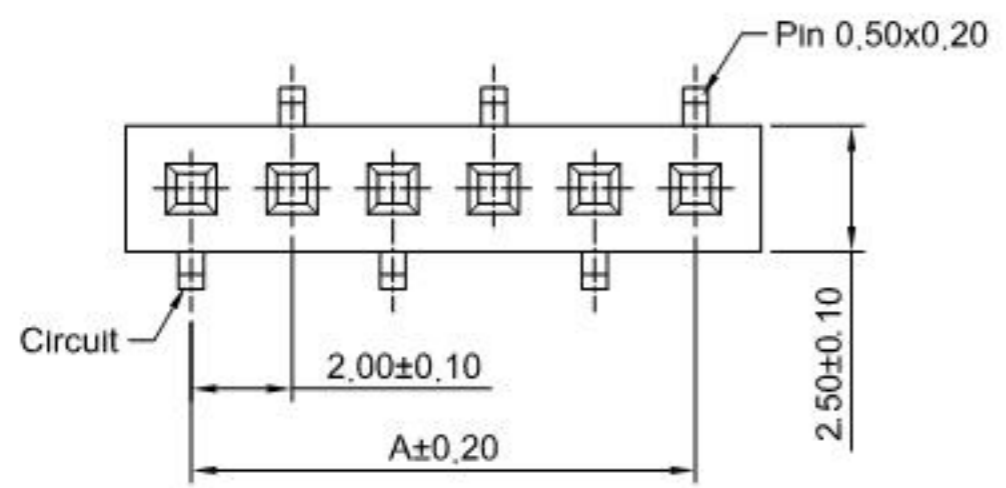
P C B LAYOUT

**深圳市华德共创科技有限公司**  
 Shenzhen Huade co-create Technology Co., LTD  
 TEL: 0755-27129737 FAX: 0755-29940187

-TOLERANCES- UNLESS OTHERWISE SPECIFIED 公差参数表		TITLE: 2.00mm Pitch 产品名称: 180° Header	
X.X	±0.30	X.X°	±3°
X.XX	±0.30	X.XX°	±2°
X.XXX	±0.10	X.XXX°	±1°

APPD: 核准:	XIE	PART NO: 产品编号:	HDGC2005HWV-XP-A		
CHECK: 校对:	WANG	DATE	SCALE	UNIT	CODE NUMBER
DRAW: 绘图:	WANG	2011-11-22	1:1	mm	A008

修订 REV	标记 MARK	修改摘要 REVISION DESCRIPTION	签名 SIGNATURE	日期 DATE
A0		NEW RELEASE	WANG	2011-11-22



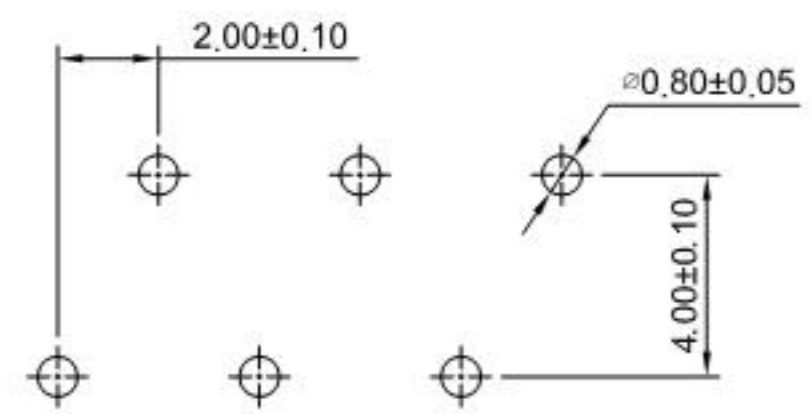
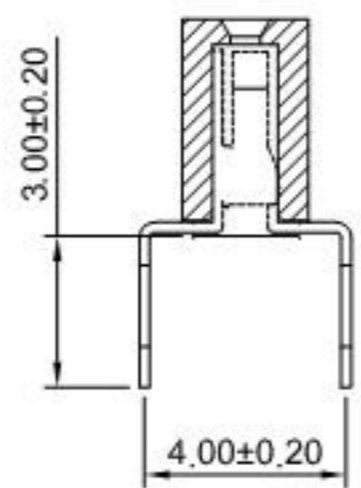
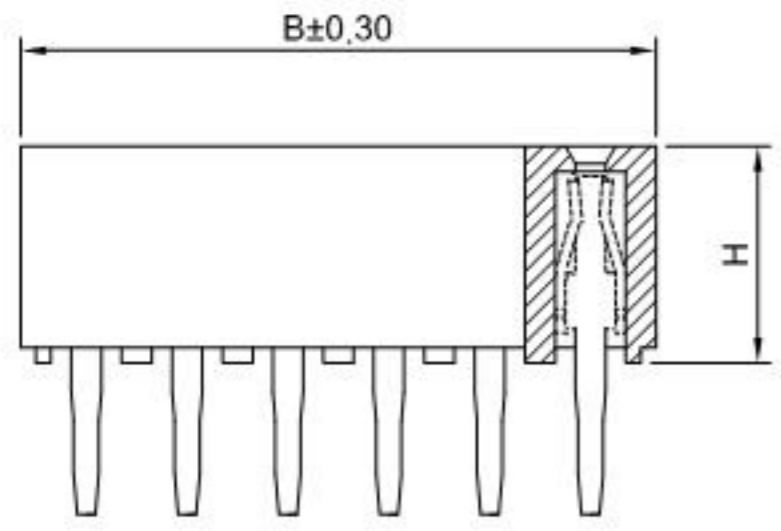
Ordering Information:  
**HDGC2005HWV-XP-B - XX**  
 1 2

1. Part No.  
 2. Size(H):  
 (blank): 4.30mm  
 H40: 4.00mm  
 H46: 4.60mm

**SPECIFICATIONS:**  
 Current Rating: 2A AC,DC  
 Voltage Rating: 250V AC,DC  
 Temperature Range: -25°C ~ +85°C  
 Contact Resistance: 20mΩ Max  
 Insulation Resistance: 1000MΩ Min  
 Withstanding Voltage: 500V AC/minute  
 Pin Material: Phosphor Bronze/Gold over Nickel  
 Material: Nylon 6T,UL94V-0(Black)

Ordering Information & Dimensions

Circuits	Dim(mm)		Circuits	Dim(mm)		Circuits	Dim(mm)	
	A	B		A	B		A	B
2P	2.00	4.60	15P	28.00	30.60	28P	54.00	56.60
3P	4.00	6.60	16P	30.00	32.60	29P	56.00	58.60
4P	6.00	8.60	17P	32.00	34.60	30P	58.00	60.60
5P	8.00	10.60	18P	34.00	36.60	31P	60.00	62.60
6P	10.00	12.60	19P	36.00	38.60	32P	62.00	64.60
7P	12.00	14.60	20P	38.00	40.60	33P	64.00	66.60
8P	14.00	16.60	21P	40.00	42.60	34P	66.00	68.60
9P	16.00	18.60	22P	42.00	44.60	35P	68.00	70.60
10P	18.00	20.60	23P	44.00	46.60	36P	70.00	72.60
11P	20.00	22.60	24P	46.00	48.60	37P	72.00	74.60
12P	22.00	24.60	25P	48.00	50.60	38P	74.00	76.60
13P	24.00	26.60	26P	50.00	52.60	39P	76.00	78.60
14P	26.00	28.60	27P	52.00	54.60	40P	78.00	80.60



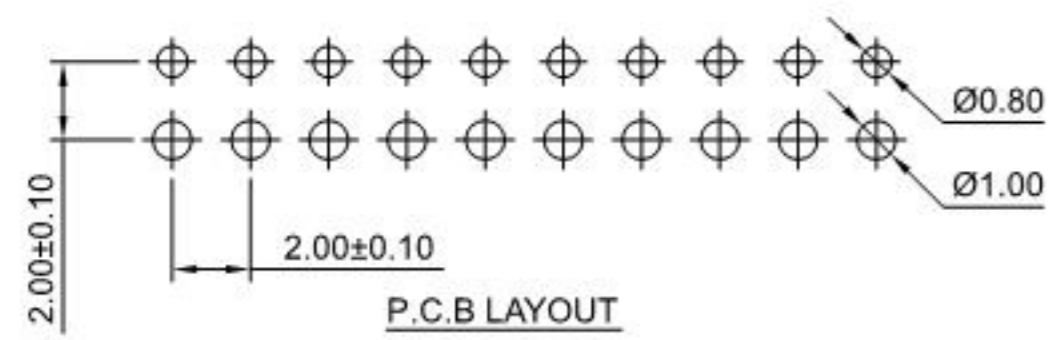
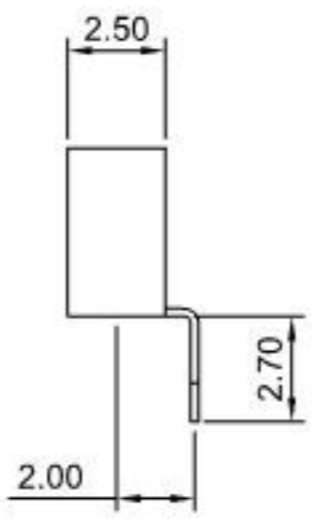
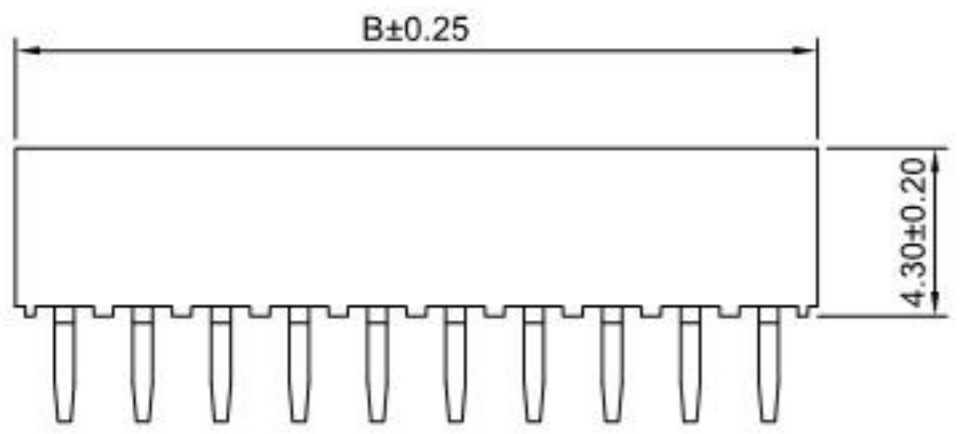
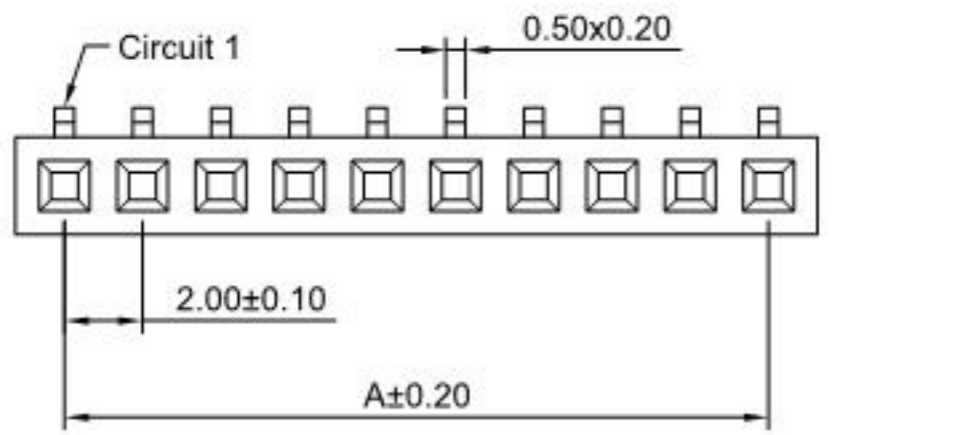
PCB LAYOUT

**深圳市华德共创科技有限公司**  
 Shenzhen Huade co-create Technology Co., LTD  
 TEL: 0755-27129737 FAX: 0755-29940187

-TOLERANCES- UNLESS OTHERWISE SPECIFIED 公差参数表		TITLE: 2.00mm Pitch 产品名称: 180° Header	
X.X	±0.30	X.X°	±3°
X.XX	±0.30	X.XX°	±2°
X.XXX	±0.10	X.XXX°	±1°

APPD: 核准:	XIE	PART NO: 产品编号:	HDGC2005HWV-XP-B		
CHECK: 校对:	WANG	DATE	SCALE	UNIT	CODE NUMBER
DRAW: 绘图:	WANG	2011-11-22	1:1	mm	A008

修订 REV	标记 MARK	修改摘要 REVISION DESCRIPTION	签名 SIGNATURE	日期 DATE
A0		NEW RELEASE	WANG	2011-11-22



**SPECIFICATIONS:**

Current Rating: 3A AC,DC  
Voltage Rating: 250V AC,DC  
Temperature Range: -25°C ~ +85°C  
Contact Resistance: 20mΩ Max  
Insulation Resistance: 1000MΩ Min  
Withstanding Voltage: 1500V AC/minute  
Pin Material: Phosphor Bronze/Gold over Nickel  
Material: Nylon 6T,UL94V-0(Black)

**Ordering Information & Dimensions**

Circuits	Dim(mm)		Circuits	Dim(mm)		Circuits	Dim(mm)	
	A	B		A	B		A	B
2P	2.00	4.60	15P	28.00	30.60	28P	54.00	56.60
3P	4.00	6.60	16P	30.00	32.60	29P	56.00	58.60
4P	6.00	8.60	17P	32.00	34.60	30P	58.00	60.60
5P	8.00	10.60	18P	34.00	36.60	31P	60.00	62.60
6P	10.00	12.60	19P	36.00	38.60	32P	62.00	64.60
7P	12.00	14.60	20P	38.00	40.60	33P	64.00	66.60
8P	14.00	16.60	21P	40.00	42.60	34P	66.00	68.60
9P	16.00	18.60	22P	42.00	44.60	35P	68.00	70.60
10P	18.00	20.60	23P	44.00	46.60	36P	70.00	72.60
11P	20.00	22.60	24P	46.00	48.60	37P	72.00	74.60
12P	22.00	24.60	25P	48.00	50.60	38P	74.00	76.60
13P	24.00	26.60	26P	50.00	52.60	39P	76.00	78.60
14P	26.00	28.60	27P	52.00	54.60	40P	78.00	80.60



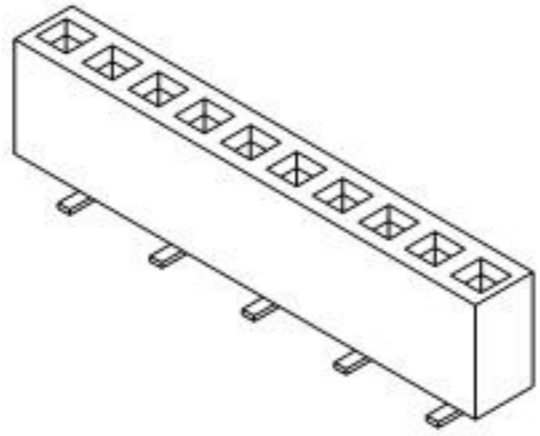
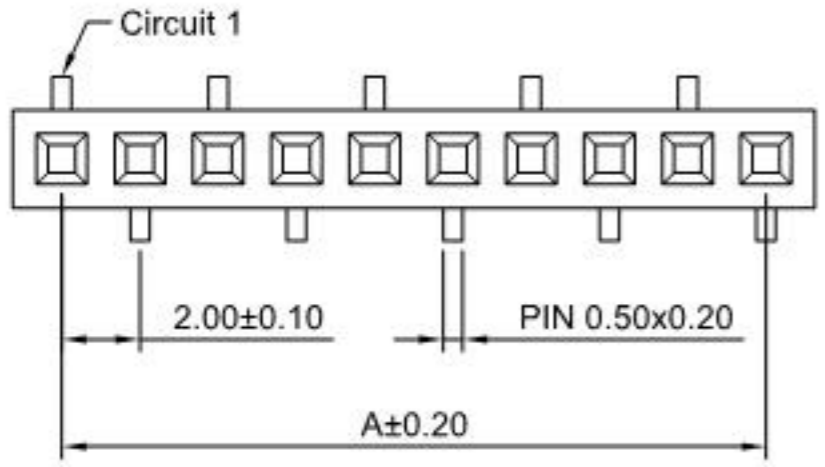
**深圳市华德共创科技有限公司**

Shenzhen Huade co-create Technology Co., LTD

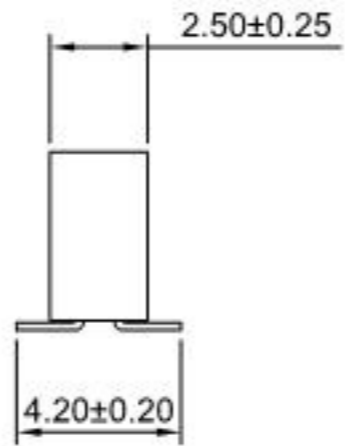
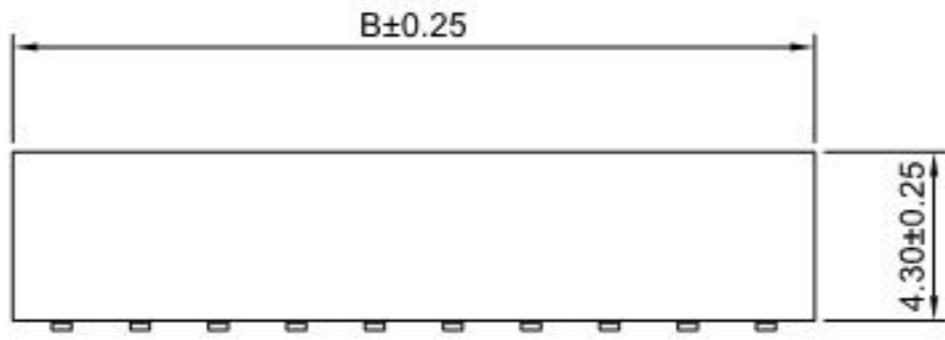
TEL: 0755-27129737 FAX: 0755-29940187

-TOLERANCES- UNLESS OTHERWISE SPECIFIED 公差参数表				TITLE: 2.00mm Pitch 产品名称: 180° Female Header	
X.X	±0.30	X.X°	±3°	APPD: 核准:	XIE
X.XX	±0.30	X.XX°	±2°	CHECK: 校对:	WANG
X.XXX	±0.10	X.XXX°	±1°	DRAW: 绘图:	WANG
PART NO: 产品编号:		HDGC2005HWV-XP-C		DATE	2011-11-22
SCALE		4:1	UNIT	mm	CODE NUMBER
					A008

修订 REV	标记 MARK	修改摘要 REVISION DESCRIPTION	签名 SIGNATURE	日期 DATE
A0		NEW RELEASE	WANG	2011-11-22

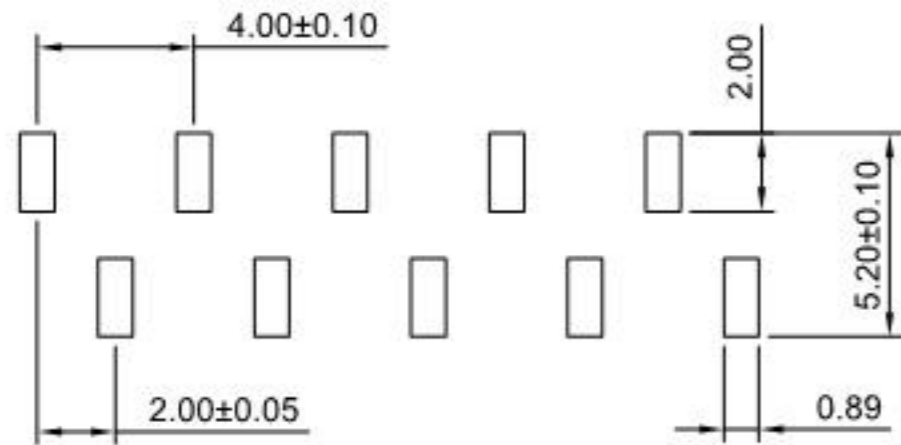


**SPECIFICATIONS:**  
 Current Rating: 3A AC,DC  
 Voltage Rating: 250V AC,DC  
 Temperature Range: -25°C ~ +85°C  
 Contact Resistance: 20mΩ Max  
 Insulation Resistance: 1000MΩ Min  
 Withstanding Voltage: 1500V AC/minute  
 Pin Material: Phophor Bronze/Gold over Nickel  
 Material: Nylon 6T,UL94V-0(Black)



Ordering Information & Dimensions

Circuits	Dim(mm)		Circuits	Dim(mm)		Circuits	Dim(mm)	
	A	B		A	B		A	B
2P	2.00	4.50	15P	28.00	30.50	28P	54.00	56.50
3P	4.00	6.50	16P	30.00	32.50	29P	56.00	58.50
4P	6.00	8.50	17P	32.00	34.50	30P	58.00	60.50
5P	8.00	10.50	18P	34.00	36.50	31P	60.00	62.50
6P	10.00	12.50	19P	36.00	38.50	32P	62.00	64.50
7P	12.00	14.50	20P	38.00	40.50	33P	64.00	66.50
8P	14.00	16.50	21P	40.00	42.50	34P	66.00	68.50
9P	16.00	18.50	22P	42.00	44.50	35P	68.00	70.50
10P	18.00	20.50	23P	44.00	46.50	36P	70.00	72.50
11P	20.00	22.50	24P	46.00	48.50	37P	72.00	74.50
12P	22.00	24.50	25P	48.00	50.50	38P	74.00	76.50
13P	24.00	26.50	26P	50.00	52.50	39P	76.00	78.50
14P	26.00	28.50	27P	52.00	54.50	40P	78.00	80.50



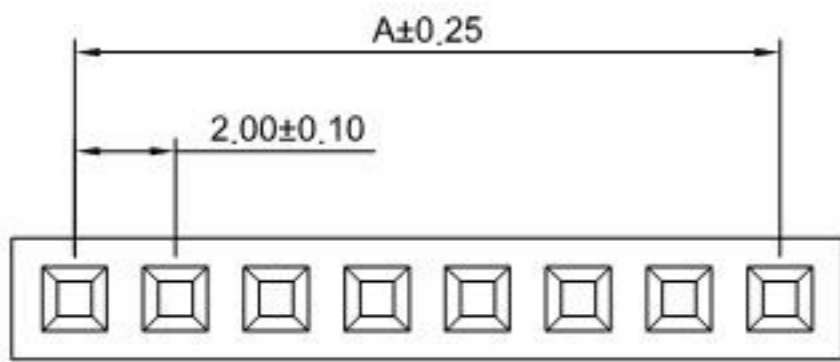
P.C.B LAYOUT

**HDGC** 深圳市华德共创科技有限公司  
 Shenzhen Huade co-create Technology Co., LTD  
 TEL: 0755-27129737 FAX: 0755-29940187

-TOLERANCES- UNLESS OTHERWISE SPECIFIED 公差参数表				TITLE: 2.00mm Pitch 产品名称: 180° Female Header	
X.X	±0.30	X.X°	±3°	APPD: 核准:	XIE
X.XX	±0.30	X.XX°	±2°	CHECK: 校对:	WANG
X.XXX	±0.10	X.XXX°	±1°	DRAW: 绘图:	WANG
PART NO: 产品编号:		HDGC2005HWV-S-XP-A		DATE	2011-11-22
SCALE		4:1	UNIT	mm	CODE NUMBER
A008					



修订 REV	标记 MARK	修改摘要 REVISION DESCRIPTION	签名 SIGNATURE	日期 DATE
A0		NEW RELEASE	WANG	2017-11-22



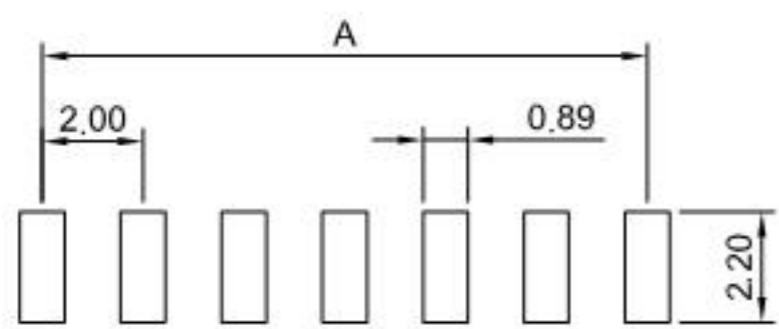
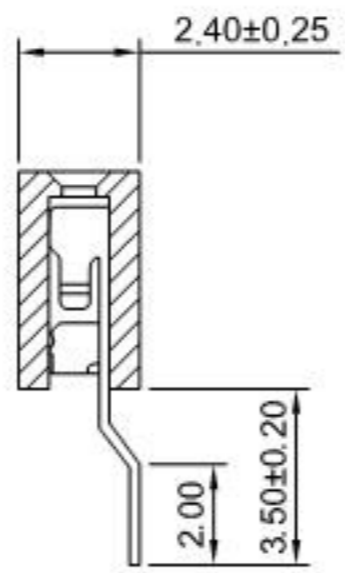
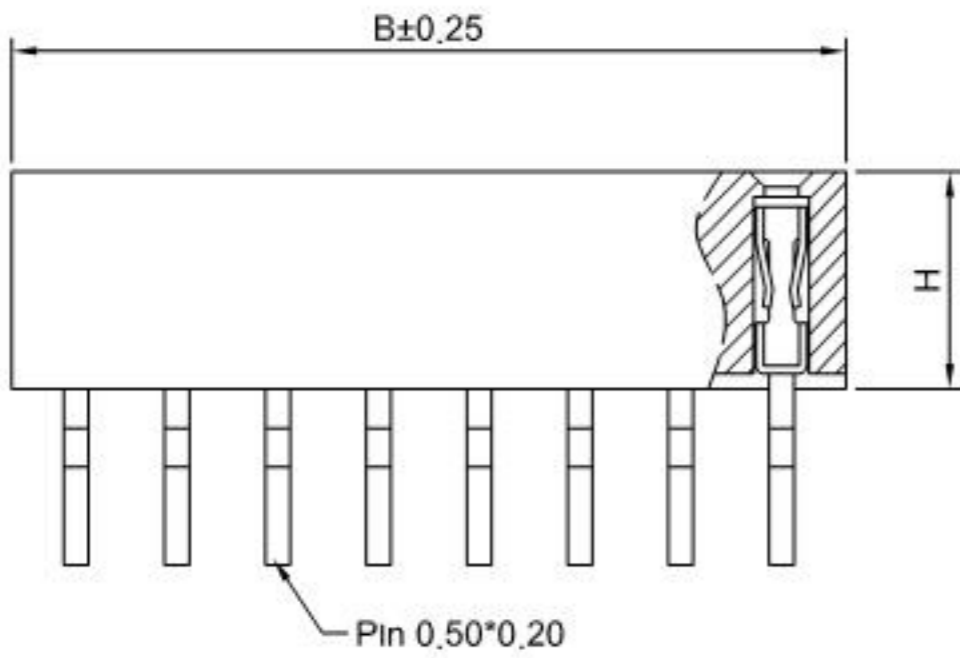
Ordering Information:  
 HDGC2005HWR-S-XP -  $\frac{xxx}{2}$   
 1. Part No.  
 2. Size(H):  
 (blank): 4.30mm  
 H40: 4.00mm

**SPECIFICATIONS:**

Current Rating: 2A AC,DC  
 Voltage Rating: 250V AC,DC  
 Temperature Range: -25°C ~ +85°C  
 Contact Resistance: 20mΩ Max  
 Insulation Resistance: 1000MΩ Min  
 Withstanding Voltage: 500V AC/minute  
 Pin Material: Brass/Gold over Nickel  
 Material: Nylon 6T,UL94V-0(Black)

Ordering Information & Dimensions

Circuits	Dim(mm)		Circuits	Dim(mm)		Circuits	Dim(mm)	
	A	B		A	B		A	B
2P	2.00	4.50	15P	28.00	30.50	28P	54.00	56.50
3P	4.00	6.50	16P	30.00	32.50	29P	56.00	58.50
4P	6.00	8.50	17P	32.00	34.50	30P	58.00	60.50
5P	8.00	10.50	18P	34.00	36.50	31P	60.00	62.50
6P	10.00	12.50	19P	36.00	38.50	32P	62.00	64.50
7P	12.00	14.50	20P	38.00	40.50	33P	64.00	66.50
8P	14.00	16.50	21P	40.00	42.50	34P	66.00	68.50
9P	16.00	18.50	22P	42.00	44.50	35P	68.00	70.50
10P	18.00	20.50	23P	44.00	46.50	36P	70.00	72.50
11P	20.00	22.50	24P	46.00	48.50	37P	72.00	74.50
12P	22.00	24.50	25P	48.00	50.50	38P	74.00	76.50
13P	24.00	26.50	26P	50.00	52.50	39P	76.00	78.50
14P	26.00	28.50	27P	52.00	54.50	40P	78.00	80.50

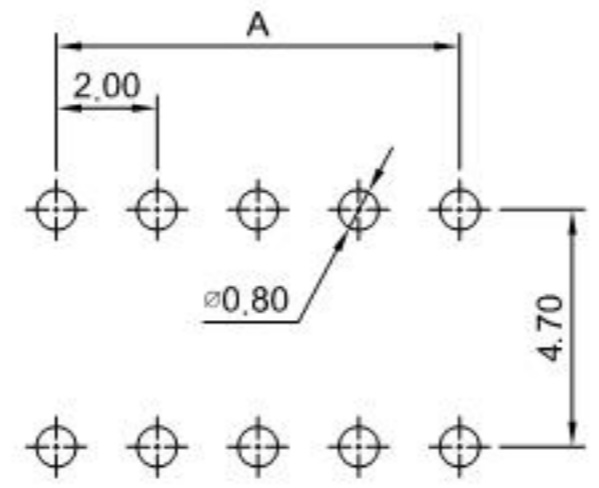
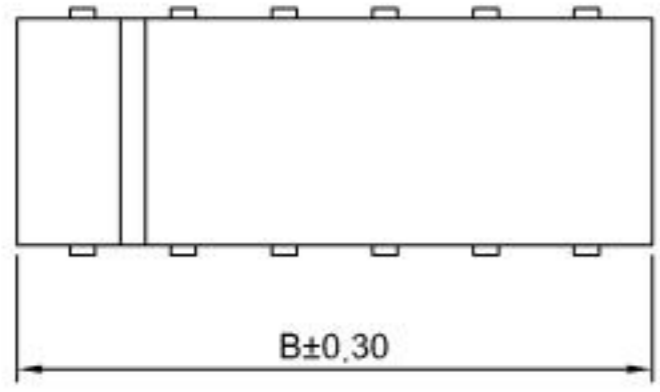


PCB LAYOUT

**深圳市华德共创科技有限公司**  
 Shenzhen Huade co-create Technology Co., LTD  
 TEL: 0755-27129737 FAX: 0755-29940187

-TOLERANCES- UNLESS OTHERWISE SPECIFIED 公差参数表			TITLE: 2.00mm Pitch 产品名称: 90° Header	
X.X	±0.30	X.X°	±3°	APPD: 核准: XIE
X.XX	±0.30	X.XX°	±2°	CHECK: 校对: WANG
X.XXX	±0.10	X.XXX°	±1°	DRAW: 绘图: WANG
		DATE	SCALE	UNIT
		2017-11-22	5:1	mm
		PART NO: HDGC2005HWR-S-XP 产品编号:		CODE NUMBER
				A008

修订 REV	标记 MARK	修改摘要 REVISION DESCRIPTION	签名 SIGNATURE	日期 DATE
A0		NEW RELEASE	WANG	2017-11-22

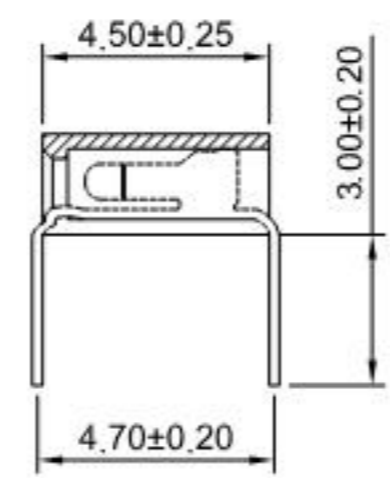
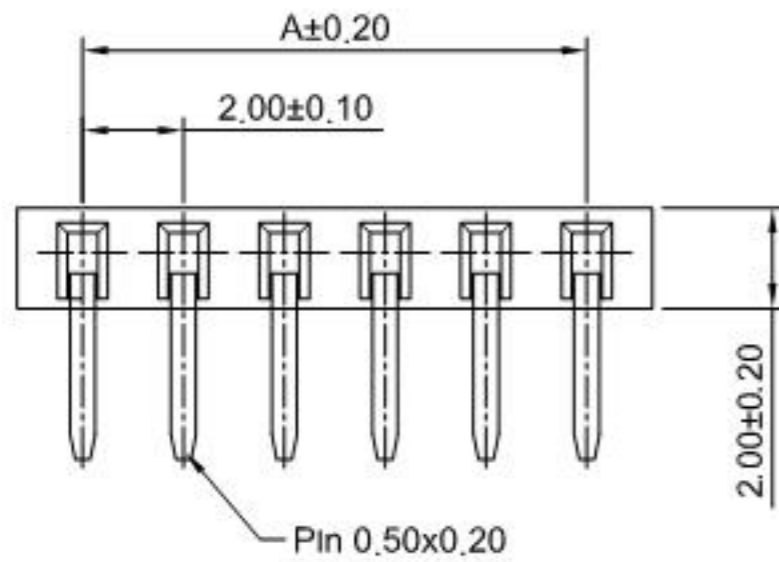


PCB LAYOUT

**SPECIFICATIONS:**  
 Current Rating: 2A AC,DC  
 Voltage Rating: 250V AC,DC  
 Temperature Range: -25°C ~ +85°C  
 Contact Resistance: 20mΩ Max  
 Insulation Resistance: 1000MΩ Min  
 Withstanding Voltage: 500V AC/minute  
 Pin Material: Phosphor Bronze/Gold over Nickel  
 Material: Nylon 6T,UL94V-0(Black)

Ordering Information & Dimensions

Circuits	Dim(mm)		Circuits	Dim(mm)		Circuits	Dim(mm)	
	A	B		A	B		A	B
2P	2.00	4.60	15P	28.00	30.60	28P	54.00	56.60
3P	4.00	6.60	16P	30.00	32.60	29P	56.00	58.60
4P	6.00	8.60	17P	32.00	34.60	30P	58.00	60.60
5P	8.00	10.60	18P	34.00	36.60	31P	60.00	62.60
6P	10.00	12.60	19P	36.00	38.60	32P	62.00	64.60
7P	12.00	14.60	20P	38.00	40.60	33P	64.00	66.60
8P	14.00	16.60	21P	40.00	42.60	34P	66.00	68.60
9P	16.00	18.60	22P	42.00	44.60	35P	68.00	70.60
10P	18.00	20.60	23P	44.00	46.60	36P	70.00	72.60
11P	20.00	22.60	24P	46.00	48.60	37P	72.00	74.60
12P	22.00	24.60	25P	48.00	50.60	38P	74.00	76.60
13P	24.00	26.60	26P	50.00	52.60	39P	76.00	78.60
14P	26.00	28.60	27P	52.00	54.60	40P	78.00	80.60



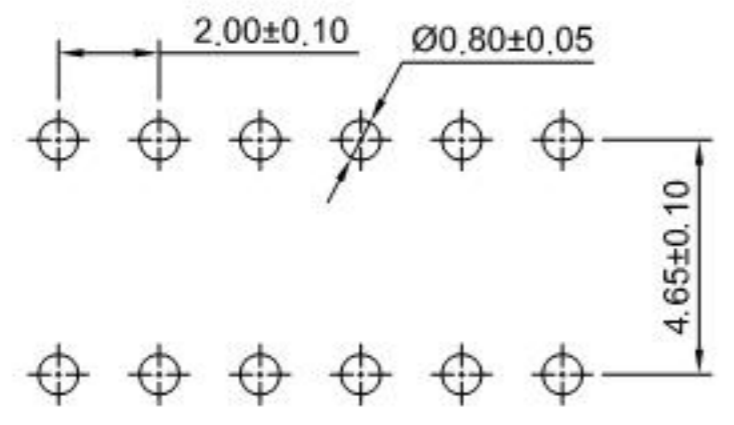
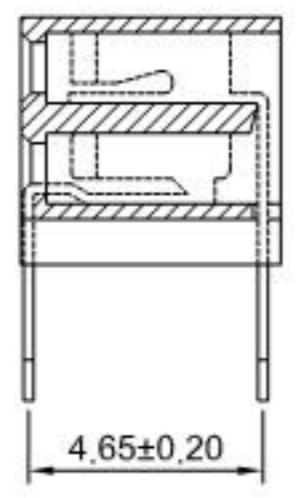
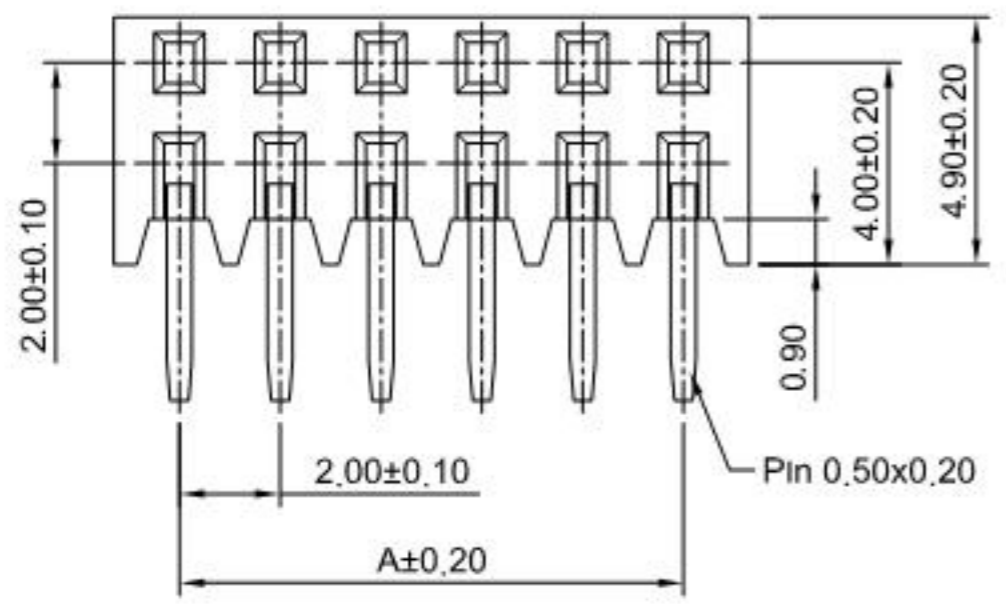
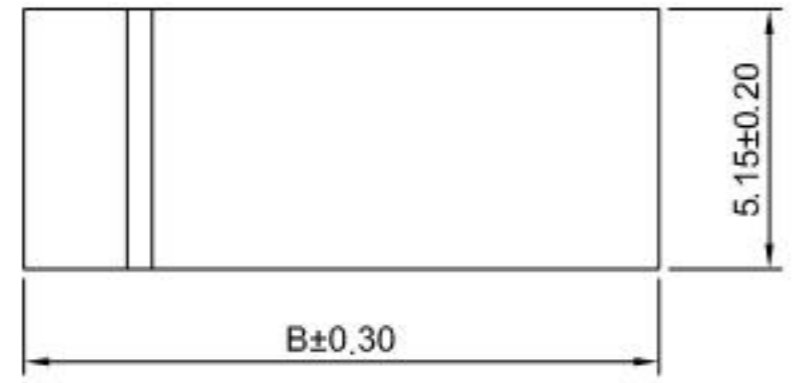
深圳市华德共创科技有限公司

Shenzhen Huade co-create Technology Co., LTD

TEL: 0755-27129737 FAX: 0755-29940187

-TOLERANCES- UNLESS OTHERWISE SPECIFIED 公差参数表						TITLE: 2.00mm Pitch 产品名称: 90° Header			
X.X	±0.30	X.X°	±3°	APPD: 核准:	XIE	PART NO: 产品编号: HDGC2005HWRA-XP			
X.XX	±0.30	X.XX°	±2°	CHECK: 校对:	WANG	DATE	SCALE	UNIT	CODE NUMBER
X.XXX	±0.10	X.XXX°	±1°	DRAW: 绘图:	WANG	2017-11-22	5:1	mm	A008

修订 REV	标记 MARK	修改摘要 REVISION DESCRIPTION	签名 SIGNATURE	日期 DATE
A0		NEW RELEASE	WANG	2011-11-22



PCB LAYOUT

**SPECIFICATIONS:**

Current Rating: 2A AC,DC  
Voltage Rating: 250V AC,DC  
Temperature Range: -25°C ~ +85°C  
Contact Resistance: 20mΩ Max  
Insulation Resistance: 1000MΩ Min  
Withstanding Voltage: 500V AC/minute  
Pin Material: Phosphor Bronze/Gold over Nickel  
Material: Nylon 6T,UL94V-0(Black)

**Ordering Information & Dimensions**

Circuits	Dim(mm)		Circuits	Dim(mm)		Circuits	Dim(mm)	
	A	B		A	B		A	B
2x2P	2.00	4.60	2x15P	28.00	30.60	2x28P	54.00	56.60
2x3P	4.00	6.60	2x16P	30.00	32.60	2x29P	56.00	58.60
2x4P	6.00	8.60	2x17P	32.00	34.60	2x30P	58.00	60.60
2x5P	8.00	10.60	2x18P	34.00	36.60	2x31P	60.00	62.60
2x6P	10.00	12.60	2x19P	36.00	38.60	2x32P	62.00	64.60
2x7P	12.00	14.60	2x20P	38.00	40.60	2x33P	64.00	66.60
2x8P	14.00	16.60	2x21P	40.00	42.60	2x34P	66.00	68.60
2x9P	16.00	18.60	2x22P	42.00	44.60	2x35P	68.00	70.60
2x10P	18.00	20.60	2x23P	44.00	46.60	2x36P	70.00	72.60
2x11P	20.00	22.60	2x24P	46.00	48.60	2x37P	72.00	74.60
2x12P	22.00	24.60	2x25P	48.00	50.60	2x38P	74.00	76.60
2x13P	24.00	26.60	2x26P	50.00	52.60	2x39P	76.00	78.60
2x14P	26.00	28.60	2x27P	52.00	54.60	2x40P	78.00	80.60



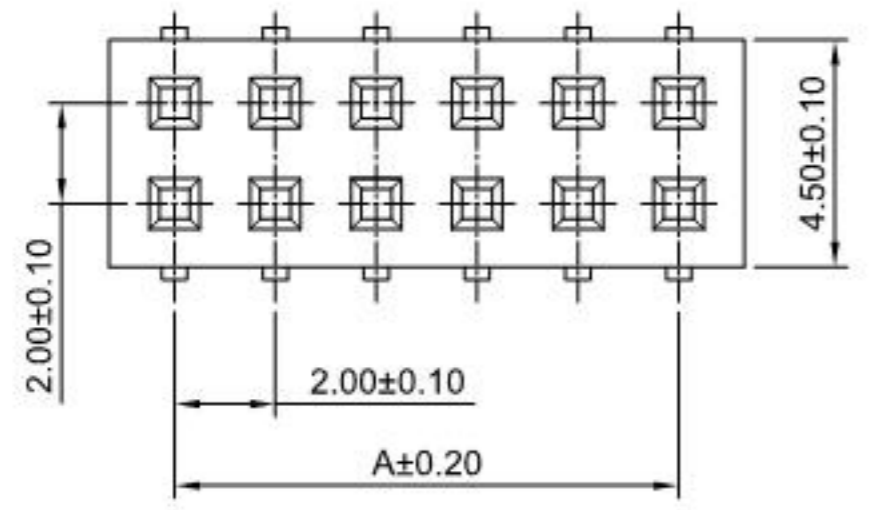
深圳市华德共创科技有限公司

Shenzhen Huade co-create Technology Co., LTD  
TEL: 0755-27129737 FAX: 0755-29940187

-TOLERANCES- UNLESS OTHERWISE SPECIFIED 公差参数表				TITLE: 2.00mm Pitch 产品名称: 90° Header	
X.X	±0.30	X.X°	±3°	APPD: 核准:	XIE
X.XX	±0.30	X.XX°	±2°	CHECK: 校对:	WANG
X.XXX	±0.10	X.XXX°	±1°	DRAW: 绘图:	WANG
PART NO: 产品编号:		HDGC2005HWR-2xXP		DATE	2011-11-22
SCALE		1:1	UNIT	mm	CODE NUMBER
					A008



修订 REV	标记 MARK	修改摘要 REVISION DESCRIPTION	签名 SIGNATURE	日期 DATE
A0		NEW RELEASE	WANG	2017-11-22



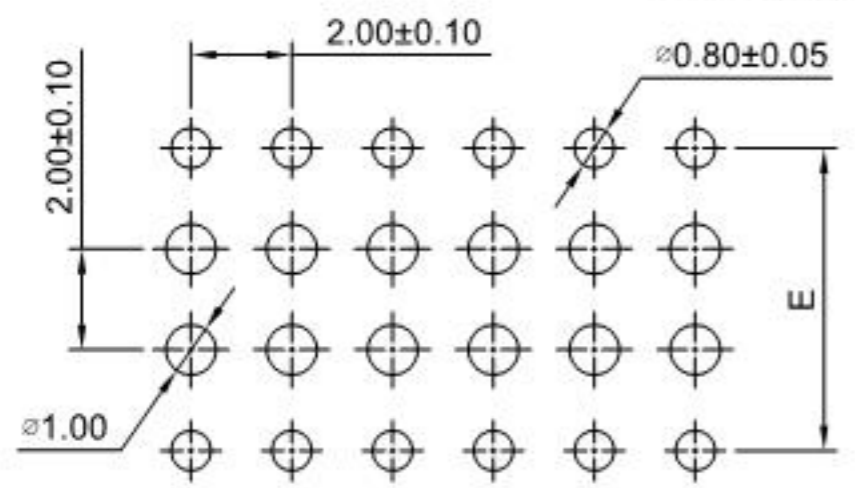
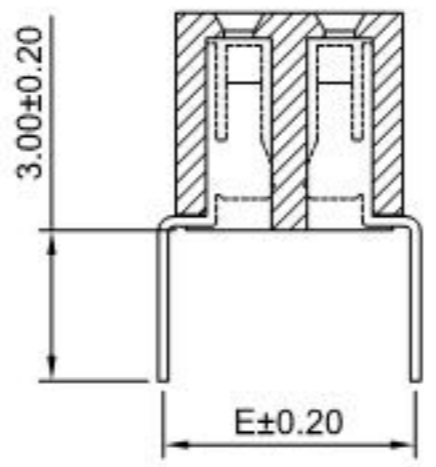
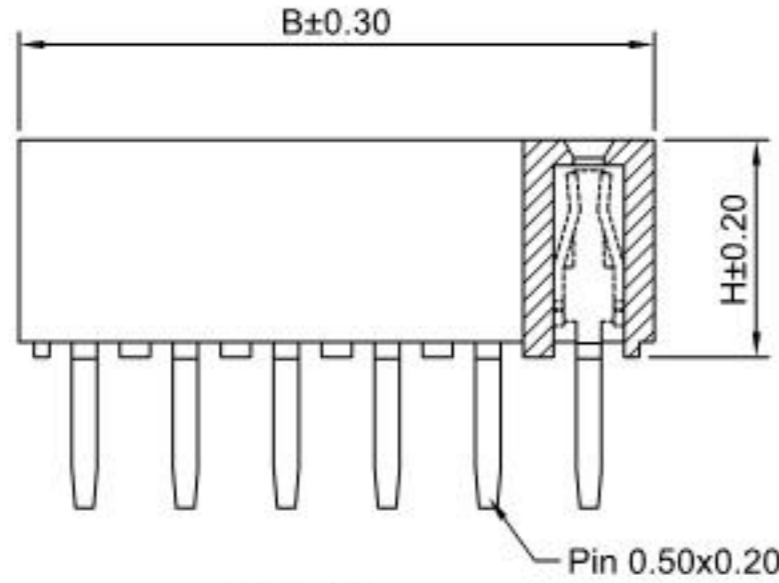
Ordering Information:  
 HDGC2005HWVA-2xXP - <sup>\*\*\*</sup> <sup>\*\*\*</sup> - <sup>\*\*\*</sup> <sup>\*\*\*</sup> <sup>\*\*\*</sup>  
 1 2 3 4

- Part No.
- Size(H):  
 (blank):4.30mm  
 H40: 4.00mm
- Size(E):  
 E50:5.00mm(H43,H40)  
 E60: 6.00mm(H43)
- Material:  
 (Blank):Nylon 6T,UL94V-0  
 GWT:Nylon 6T,UL94V-0 GWT 750 °C

**SPECIFICATIONS:**  
 Current Rating: 2A AC,DC  
 Voltage Rating: 250V AC,DC  
 Temperature Range: -25°C ~ +85°C  
 Contact Resistance: 20mΩ Max  
 Insulation Resistance: 1000MΩ Min  
 Withstanding Voltage: 500V AC/minute  
 Pin Material: Brass/Gold over Nickel  
 Material: Nylon 6T,UL94V-0(Black)

Ordering Information & Dimensions

Circuits	Dim(mm)		Circuits	Dim(mm)		Circuits	Dim(mm)	
	A	B		A	B		A	B
2x2P	2.00	4.50	2x15P	28.00	30.50	2x28P	54.00	56.50
2x3P	4.00	6.50	2x16P	30.00	32.50	2x29P	56.00	58.50
2x4P	6.00	8.50	2x17P	32.00	34.50	2x30P	58.00	60.50
2x5P	8.00	10.50	2x18P	34.00	36.50	2x31P	60.00	62.50
2x6P	10.00	12.50	2x19P	36.00	38.50	2x32P	62.00	64.50
2x7P	12.00	14.50	2x20P	38.00	40.50	2x33P	64.00	66.50
2x8P	14.00	16.50	2x21P	40.00	42.50	2x34P	66.00	68.50
2x9P	16.00	18.50	2x22P	42.00	44.50	2x35P	68.00	70.50
2x10P	18.00	20.50	2x23P	44.00	46.50	2x36P	70.00	72.50
2x11P	20.00	22.50	2x24P	46.00	48.50	2x37P	72.00	74.50
2x12P	22.00	24.50	2x25P	48.00	50.50	2x38P	74.00	76.50
2x13P	24.00	26.50	2x26P	50.00	52.50	2x39P	76.00	78.50
2x14P	26.00	28.50	2x27P	52.00	54.50	2x40P	78.00	80.50

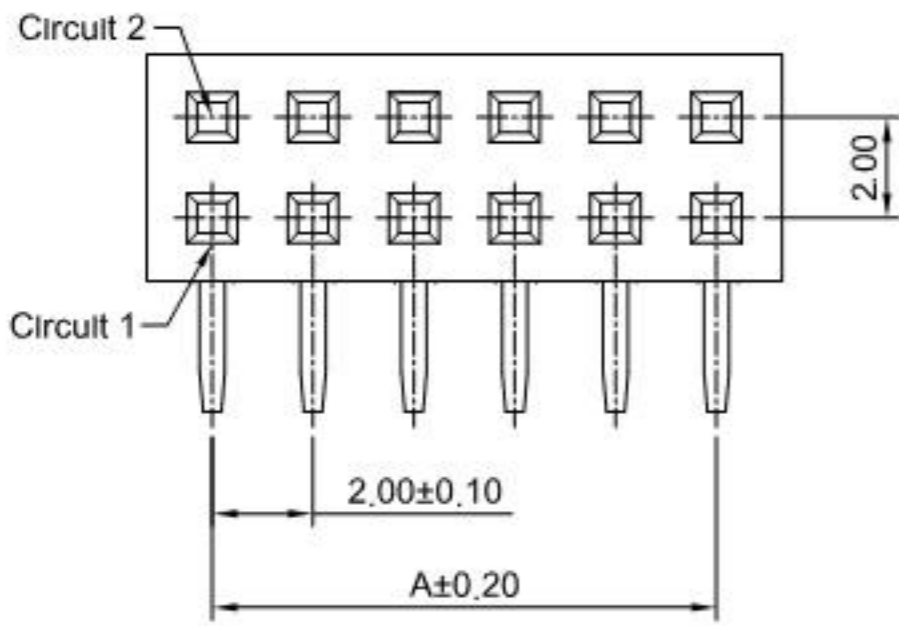


PCB LAYOUT

**HDGC** 深圳市华德共创科技有限公司  
 Shenzhen Huade co-create Technology Co., LTD  
 TEL: 0755-27129737 FAX: 0755-29940187

-TOLERANCES- UNLESS OTHERWISE SPECIFIED 公差参数表				TITLE: 2.00mm Pitch 产品名称: 180° Header	
X.X	±0.30	X.X°	±3°	APPD: 核准:	XIE
X.XX	±0.30	X.XX°	±2°	CHECK: 校对:	WANG
X.XXX	±0.10	X.XXX°	±1°	DRAW: 绘图:	WANG
PART NO: 产品编号:			HDGC2005HWV-2xXP-E50		
DATE	SCALE	UNIT	CODE NUMBER		
2017-11-22	5:1	mm	A008		

修订 REV	标记 MARK	修改摘要 REVISION DESCRIPTION	签名 SIGNATURE	日期 DATE
A0		NEW RELEASE	WANG	2017-11-22



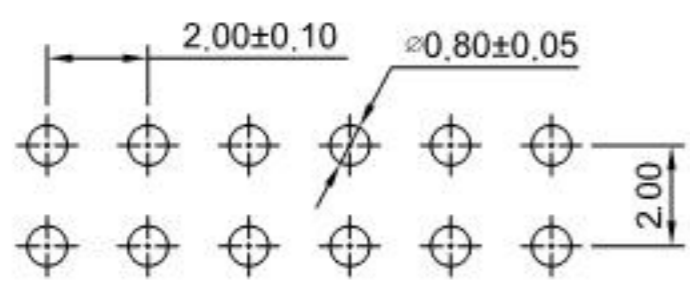
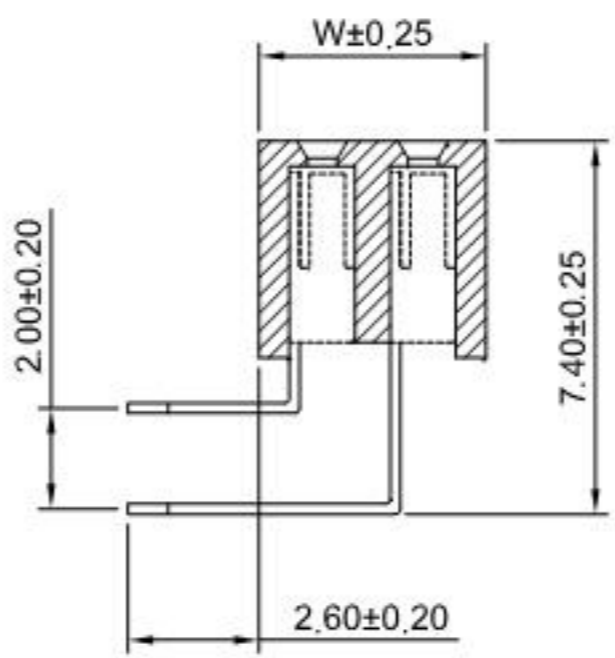
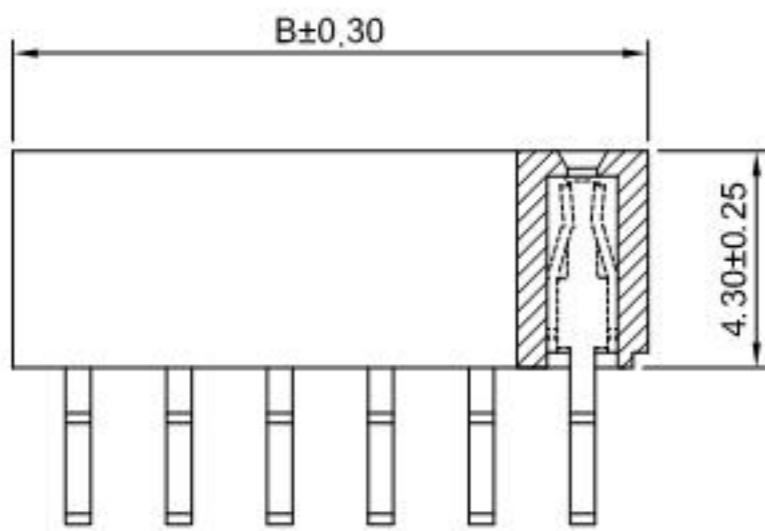
Ordering Information:  
**HDGC2005HWRA-2xXP** -  $\frac{xxx}{2}$

- 1. Part No.
- 2. Size(W):  
 (blank): 4.50mm  
 W40: 4.00mm

**SPECIFICATIONS:**  
 Current Rating: 2A AC,DC  
 Voltage Rating: 250V AC,DC  
 Temperature Range: -25°C ~ +85°C  
 Contact Resistance: 20mΩ Max  
 Insulation Resistance: 1000MΩ Min  
 Withstanding Voltage: 500V AC/minute  
 Pin Material: Phosphor Bronze/Gold over Nickel  
 Material: Nylon 6T, UL94V-0(Black)

Ordering Information & Dimensions

Circuits	Dim(mm)		Circuits	Dim(mm)		Circuits	Dim(mm)	
	A	B		A	B		A	B
2x2P	2,00	4,50	2x15P	28,00	30,50	2x28P	54,00	56,50
2x3P	4,00	6,50	2x16P	30,00	32,50	2x29P	56,00	58,50
2x4P	6,00	8,50	2x17P	32,00	34,50	2x30P	58,00	60,50
2x5P	8,00	10,50	2x18P	34,00	36,50	2x31P	60,00	62,50
2x6P	10,00	12,50	2x19P	36,00	38,50	2x32P	62,00	64,50
2x7P	12,00	14,50	2x20P	38,00	40,50	2x33P	64,00	66,50
2x8P	14,00	16,50	2x21P	40,00	42,50	2x34P	66,00	68,50
2x9P	16,00	18,50	2x22P	42,00	44,50	2x35P	68,00	70,50
2x10P	18,00	20,50	2x23P	44,00	46,50	2x36P	70,00	72,50
2x11P	20,00	22,50	2x24P	46,00	48,50	2x37P	72,00	74,50
2x12P	22,00	24,50	2x25P	48,00	50,50	2x38P	74,00	76,50
2x13P	24,00	26,50	2x26P	50,00	52,50	2x39P	76,00	78,50
2x14P	26,00	28,50	2x27P	52,00	54,50	2x40P	78,00	80,50

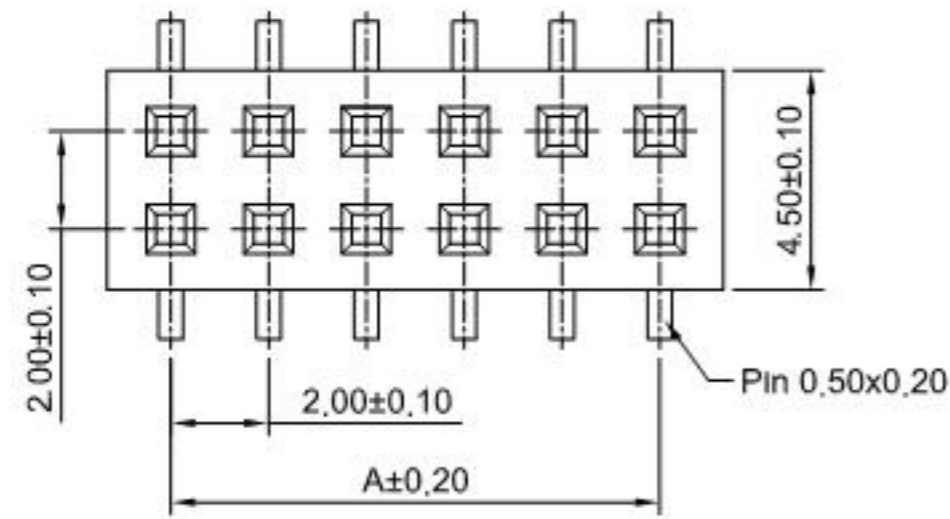


PCB LAYOUT

**HDGC** 深圳市华德共创科技有限公司  
 Shenzhen Huade co-create Technology Co., LTD  
 TEL: 0755-27129737 FAX: 0755-29940187

-TOLERANCES- UNLESS OTHERWISE SPECIFIED 公差参数表				TITLE: 2.00mm Pitch 产品名称: 90° Header	
X.X	±0.30	X.X°	±3°	APPD: 核准:	XIE
X.XX	±0.30	X.XX°	±2°	CHECK: 校对:	WANG
X.XXX	±0.10	X.XXX°	±1°	DRAW: 绘图:	WANG
PART NO: 产品编号:		HDGC2005HWRA-2xXP		DATE	2017-11-22
SCALE	5:1	UNIT	mm	CODE NUMBER	A008

修订 REV	标记 MARK	修改摘要 REVISION DESCRIPTION	签名 SIGNATURE	日期 DATE
A0		NEW RELEASE	WANG	2017-11-22



Ordering Information:  
 HDGC2005HWV-S-2xXP -  $\frac{XXX}{2}$  -  $\frac{XX}{3}$

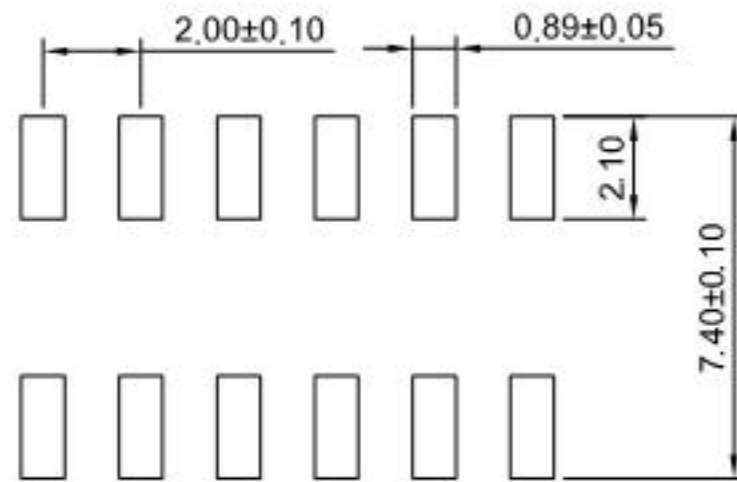
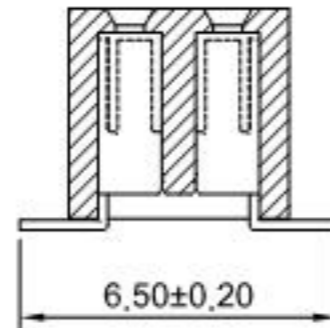
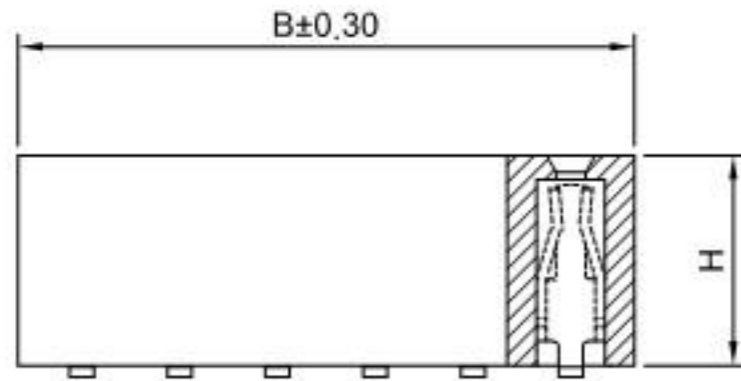
- Part No.
- Size(H):  
 (blank): 4.30mm  
 H40: 4.00mm  
 H46: 4.60mm
- Material:  
 (blank): Nylon 6T, UL94V-0  
 LCP: LCP, UL94V-0

**SPECIFICATIONS:**

Current Rating: 2A AC,DC  
 Voltage Rating: 250V AC,DC  
 Temperature Range: -25°C ~ +85°C  
 Contact Resistance: 20mΩ Max  
 Insulation Resistance: 1000MΩ Min  
 Withstanding Voltage: 500V AC/minute  
 Pin Material: Phosphor Bronze/Gold over Nickel  
 Material: Nylon 6T, UL94V-0(Black)

Ordering Information & Dimensions

Circuits	Dim(mm)		Circuits	Dim(mm)		Circuits	Dim(mm)	
	A	B		A	B		A	B
2x2P	2.00	4.60	2x15P	28.00	30.60	2x28P	54.00	56.60
2x3P	4.00	6.60	2x16P	30.00	32.60	2x29P	56.00	58.60
2x4P	6.00	8.60	2x17P	32.00	34.60	2x30P	58.00	60.60
2x5P	8.00	10.60	2x18P	34.00	36.60	2x31P	60.00	62.60
2x6P	10.00	12.60	2x19P	36.00	38.60	2x32P	62.00	64.60
2x7P	12.00	14.60	2x20P	38.00	40.60	2x33P	64.00	66.60
2x8P	14.00	16.60	2x21P	40.00	42.60	2x34P	66.00	68.60
2x9P	16.00	18.60	2x22P	42.00	44.60	2x35P	68.00	70.60
2x10P	18.00	20.60	2x23P	44.00	46.60	2x36P	70.00	72.60
2x11P	20.00	22.60	2x24P	46.00	48.60	2x37P	72.00	74.60
2x12P	22.00	24.60	2x25P	48.00	50.60	2x38P	74.00	76.60
2x13P	24.00	26.60	2x26P	50.00	52.60	2x39P	76.00	78.60
2x14P	26.00	28.60	2x27P	52.00	54.60	2x40P	78.00	80.60



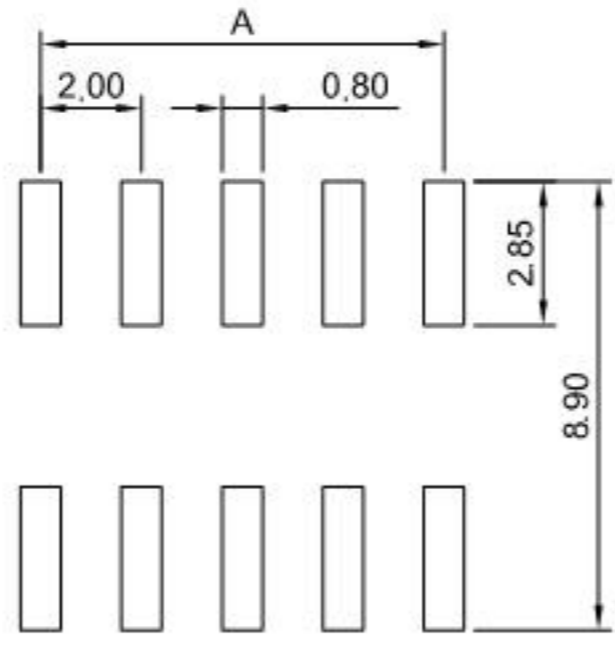
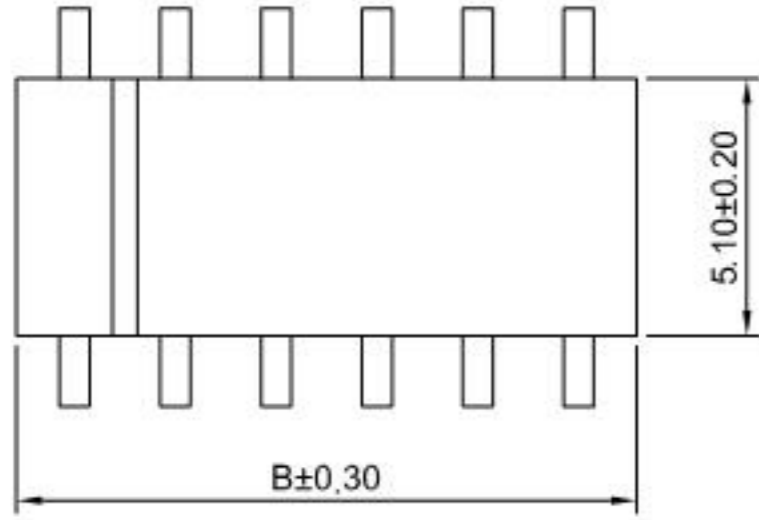
P C B LAYOUT

**HDGC** 深圳市华德共创科技有限公司  
 Shenzhen Huade co-create Technology Co., LTD  
 TEL: 0755-27129737 FAX: 0755-29940187

-TOLERANCES- UNLESS OTHERWISE SPECIFIED 公差参数表				TITLE: 2.00mm Pitch 产品名称: 180° Header	
X.X	±0.30	X.X°	±3°	APPD: 核准:	XIE
X.XX	±0.30	X.XX°	±2°	CHECK: 校对:	WANG
X.XXX	±0.10	X.XXX°	±1°	DRAW: 绘图:	WANG
PART NO: 产品编号:			HDGC2005HWV-S-2xXP	DATE	2017-11-22
SCALE			4:1	UNIT	mm
CODE NUMBER			A008		



修订 REV	标记 MARK	修改摘要 REVISION DESCRIPTION	签名 SIGNATURE	日期 DATE
A0		NEW RELEASE	WANG	2017-11-22

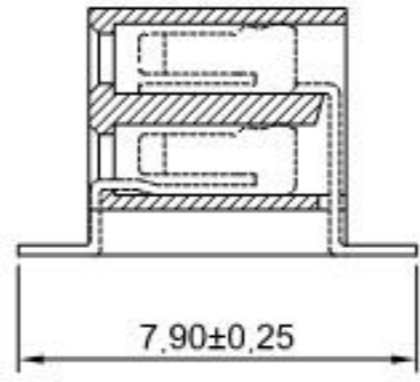
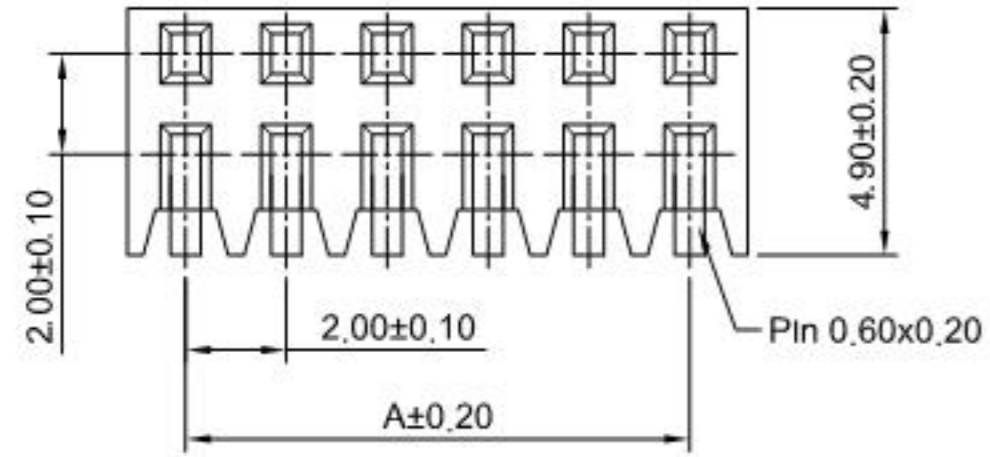


PCB LAYOUT

**SPECIFICATIONS:**  
 Current Rating: 2A AC,DC  
 Voltage Rating: 250V AC,DC  
 Temperature Range: -25°C ~ +85°C  
 Contact Resistance: 20mΩ Max  
 Insulation Resistance: 1000MΩ Min  
 Withstanding Voltage: 500V AC/minute  
 Pin Material: Brass/Gold over Nickel  
 Material: Nylon 6T,UL94V-0(Black)

Ordering Information & Dimensions

Circuits	Dim(mm)		Circuits	Dim(mm)		Circuits	Dim(mm)	
	A	B		A	B		A	B
2x2P	2.00	4.30	2x15P	28.00	30.30	2x28P	54.00	56.30
2x3P	4.00	6.30	2x16P	30.00	32.30	2x29P	56.00	58.30
2x4P	6.00	8.30	2x17P	32.00	34.30	2x30P	58.00	60.30
2x5P	8.00	10.30	2x18P	34.00	36.30	2x31P	60.00	62.30
2x6P	10.00	12.30	2x19P	36.00	38.30	2x32P	62.00	64.30
2x7P	12.00	14.30	2x20P	38.00	40.30	2x33P	64.00	66.30
2x8P	14.00	16.30	2x21P	40.00	42.30	2x34P	66.00	68.30
2x9P	16.00	18.30	2x22P	42.00	44.30	2x35P	68.00	70.30
2x10P	18.00	20.30	2x23P	44.00	46.30	2x36P	70.00	72.30
2x11P	20.00	22.30	2x24P	46.00	48.30	2x37P	72.00	74.30
2x12P	22.00	24.30	2x25P	48.00	50.30	2x38P	74.00	76.30
2x13P	24.00	26.30	2x26P	50.00	52.30	2x39P	76.00	78.30
2x14P	26.00	28.30	2x27P	52.00	54.30	2x40P	78.00	80.30



**HDGC** 深圳市华德共创科技有限公司  
 Shenzhen Huade co-create Technology Co., LTD  
 TEL: 0755-27129737 FAX: 0755-29940187

-TOLERANCES- UNLESS OTHERWISE SPECIFIED 公差参数表				TITLE: 2.00mm Pitch 产品名称: 90° Header	
X.X	±0.30	X.X°	±3°	APPD: 核准:	XIE
X.XX	±0.30	X.XX°	±2°	CHECK: 校对:	WANG
X.XXX	±0.10	X.XXX°	±1°	DRAW: 绘图:	WANG
PART NO: 产品编号:		HDGC2005HWR-S-2xXP		DATE	2017-11-22
SCALE		5:1	UNIT	mm	CODE NUMBER
A008					

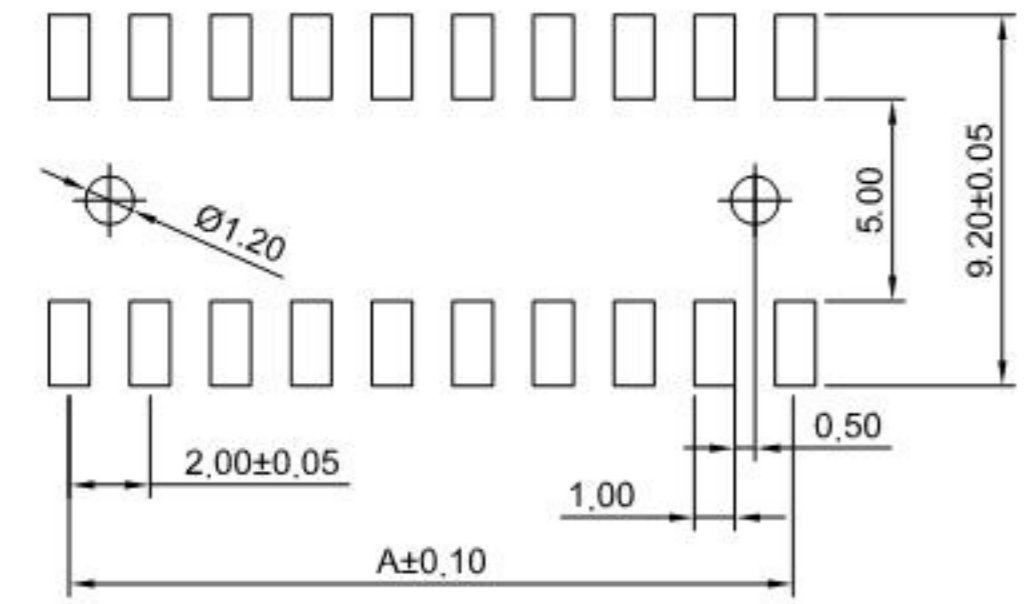
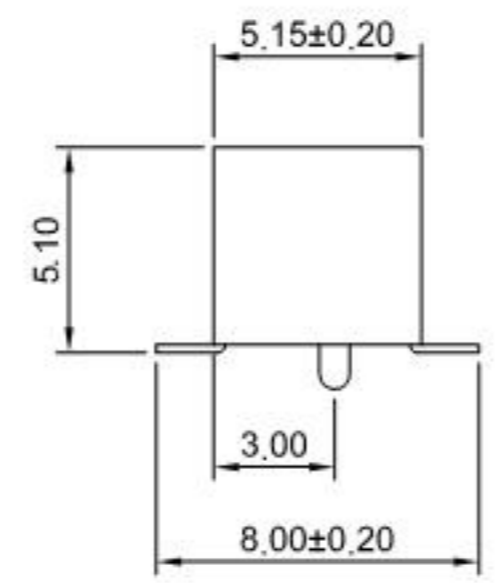
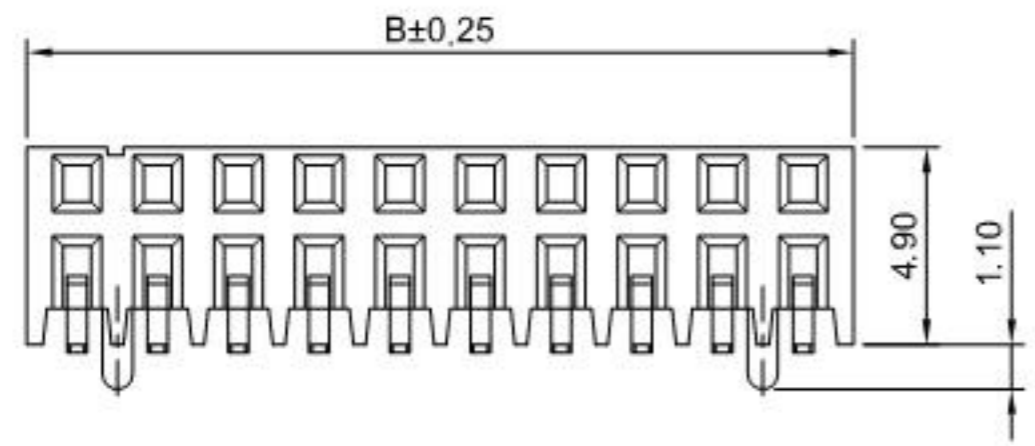
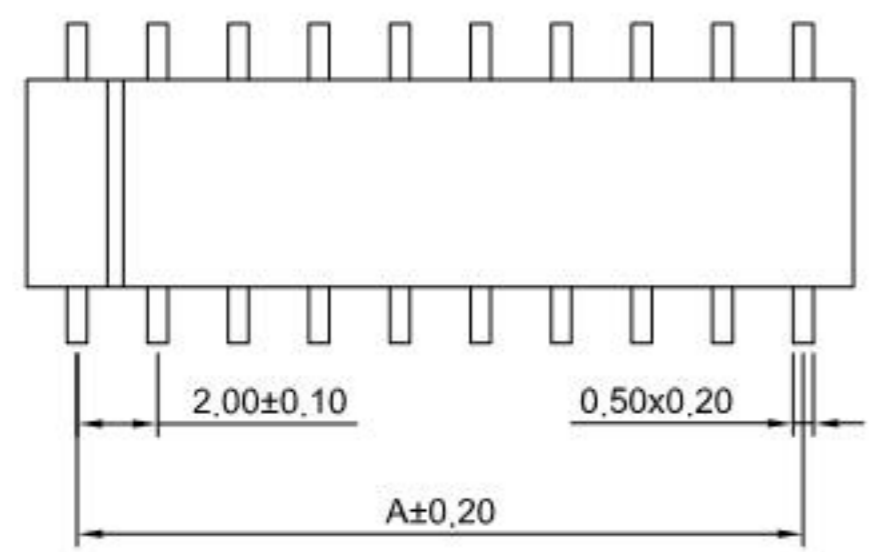
修订 REV	标记 MARK	修改摘要 REVISION DESCRIPTION	签名 SIGNATURE	日期 DATE
A0		NEW RELEASE	WANG	2011-11-22

**SPECIFICATIONS:**

Current Rating: 2A AC,DC  
Voltage Rating: 250V AC,DC  
Temperature Range: -25°C ~ +85°C  
Contact Resistance: 20mΩ Max  
Insulation Resistance: 1000MΩ Min  
Withstanding Voltage: 500V AC/minute  
Pin Material: Phosphor Bronze/Gold over Nickel  
Material: Nylon 6T,UL94V-0(Black)

**Ordering Information & Dimensions**

Circuits	Dim(mm)		Circuits	Dim(mm)		Circuits	Dim(mm)	
	A	B		A	B		A	B
2x2P	2.00	4.00	2x15P	28.00	30.00	2x28P	54.00	56.00
2x3P	4.00	6.00	2x16P	30.00	32.00	2x29P	56.00	58.00
2x4P	6.00	8.00	2x17P	32.00	34.00	2x30P	58.00	60.00
2x5P	8.00	10.00	2x18P	34.00	36.00	2x31P	60.00	62.00
2x6P	10.00	12.00	2x19P	36.00	38.00	2x32P	62.00	64.00
2x7P	12.00	14.00	2x20P	38.00	40.00	2x33P	64.00	66.00
2x8P	14.00	16.00	2x21P	40.00	42.00	2x34P	66.00	68.00
2x9P	16.00	18.00	2x22P	42.00	44.00	2x35P	68.00	70.00
2x10P	18.00	20.00	2x23P	44.00	46.00	2x36P	70.00	72.00
2x11P	20.00	22.00	2x24P	46.00	48.00	2x37P	72.00	74.00
2x12P	22.00	24.00	2x25P	48.00	50.00	2x38P	74.00	76.00
2x13P	24.00	26.00	2x26P	50.00	52.00	2x39P	76.00	78.00
2x14P	26.00	28.00	2x27P	52.00	54.00	2x40P	78.00	80.00



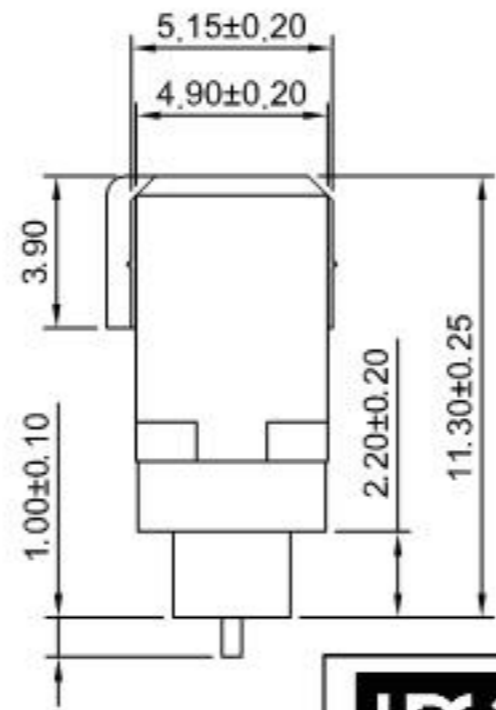
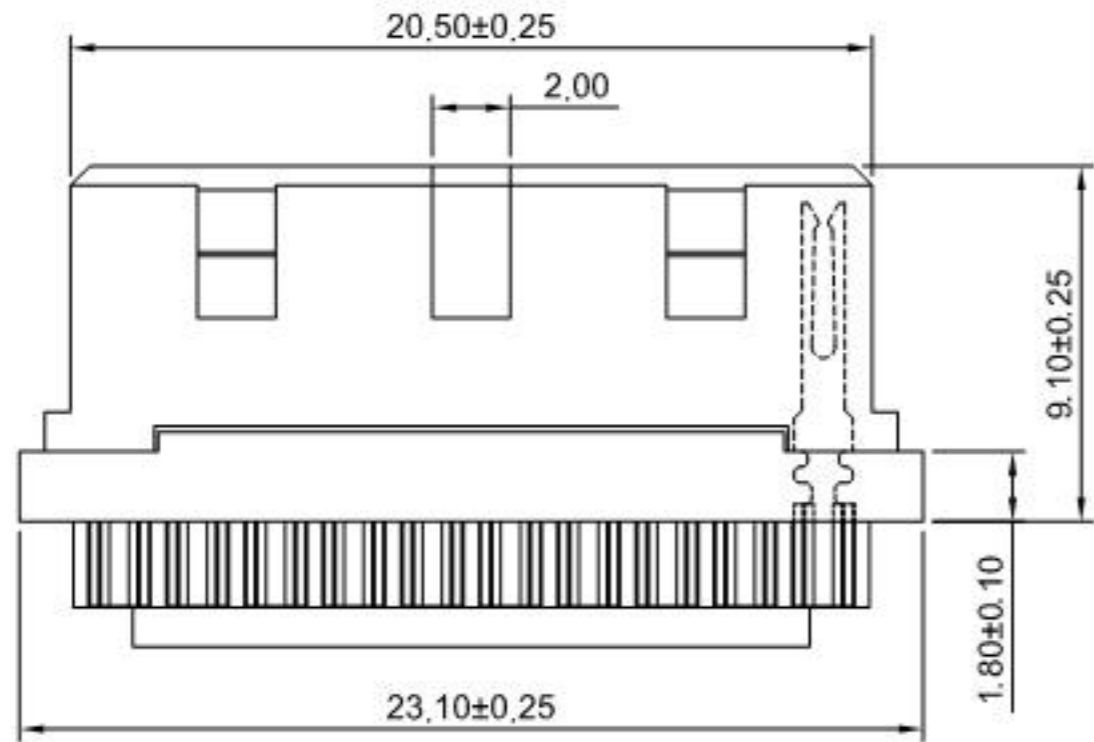
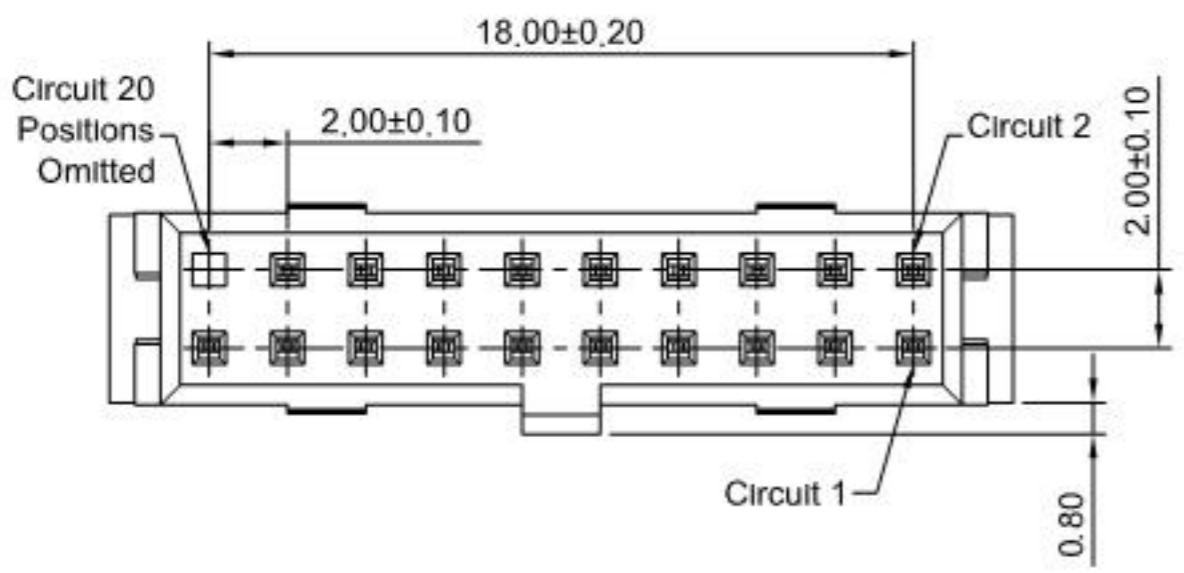
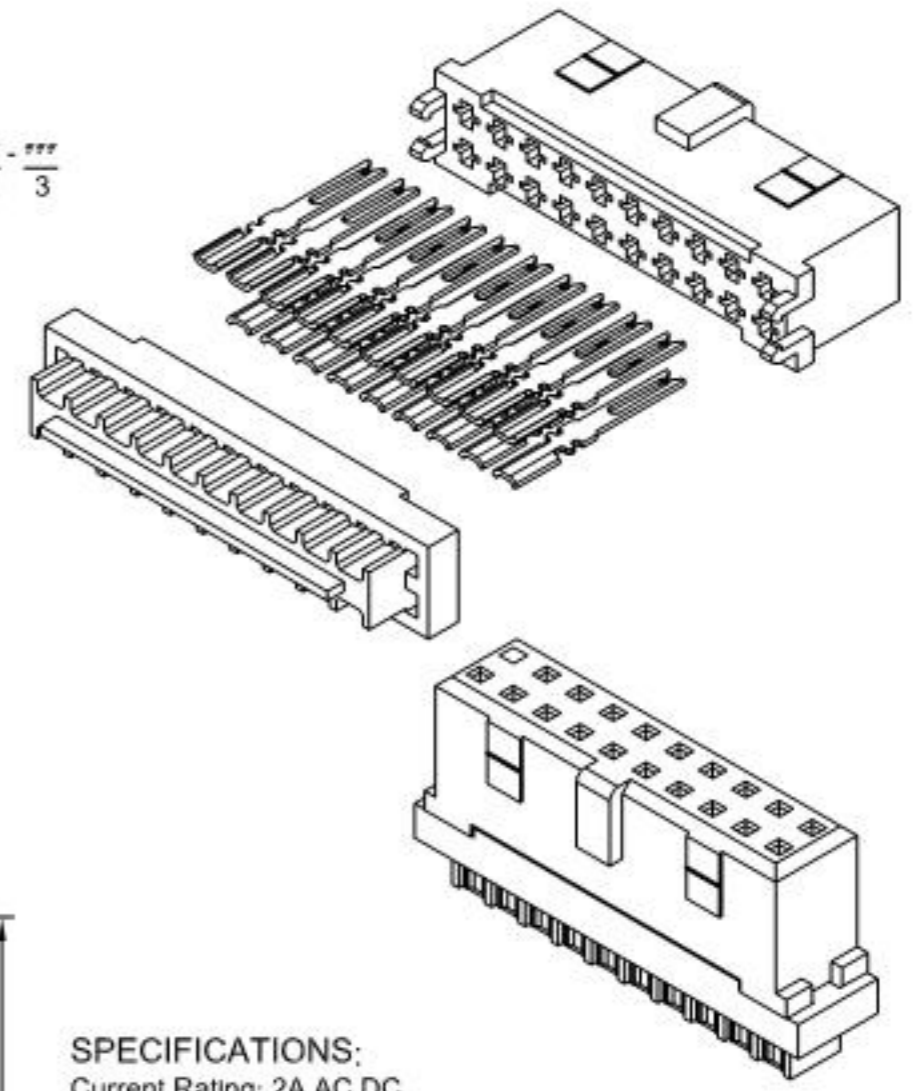
**深圳市华德共创科技有限公司**  
Shenzhen Huade co-create Technology Co., LTD  
TEL: 0755-27129737 FAX: 0755-29940187

-TOLERANCES- UNLESS OTHERWISE SPECIFIED 公差参数表		 APPD: X.X° ±3° 核准: XIE	TITLE: 2.00mm Pitch 产品名称: 90° Female Header			
X.X	±0.30	X.XX°	±2°	PART NO: HDGC2005HWR-S-F-2xXP		
X.XX	±0.30	X.XXX°	±1°	DATE	SCALE	
X.XXX	±0.10			2011-11-22	4:1	
		DRAW: WANG		UNIT	CODE NUMBER	
				mm	A008	

修订 REV	标记 MARK	修改摘要 REVISION DESCRIPTION	签名 SIGNATURE	日期 DATE
A0		NEW RELEASE	WANG	2011-11-22

Ordering Information:  
 HDGC2005HWVC-2x10P-K20 - \*\* - \*\*\*  
 1 2 3

- Part No.
- Color:  
 (blank): Black  
 BL: Blue  
 RD: Red
- Finish:  
 (blank): Tin over Nickel  
 G: Gold over Nickel(1u")  
 G3: Gold over Nickel(3u")  
 G5: Gold over Nickel(5u")  
 G10: Gold over Nickel(10u")  
 G15: Gold over Nickel(15u")

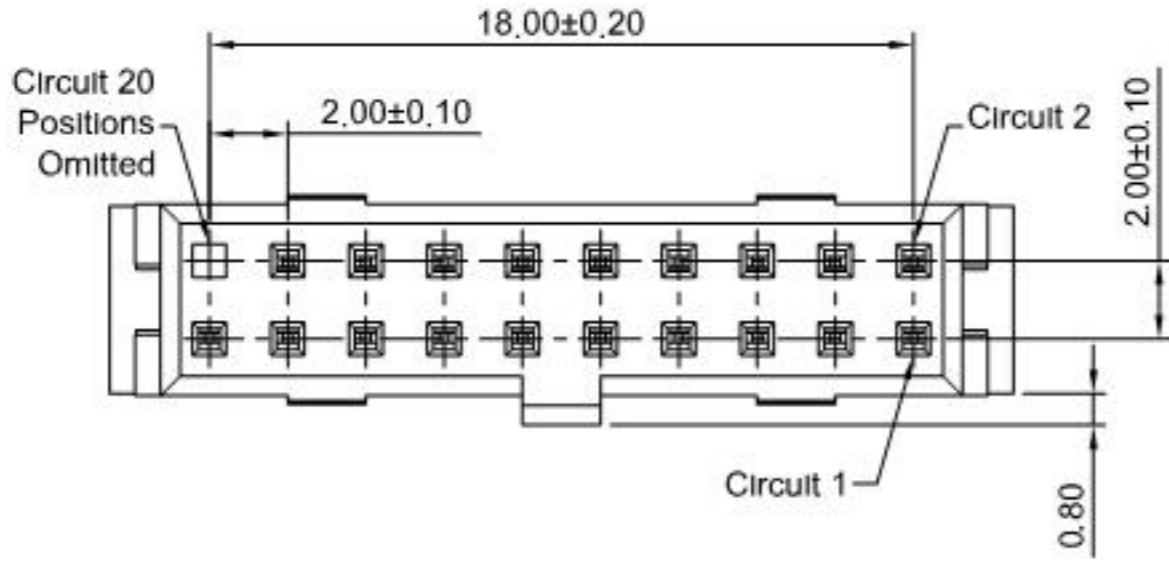


**SPECIFICATIONS:**  
 Current Rating: 2A AC,DC  
 Voltage Rating: 250V AC,DC  
 Temperature Range: -25°C ~ +85°C  
 Contact Resistance: 20mΩ Max  
 Insulation Resistance: 1000MΩ Min  
 Withstanding Voltage: 500V AC/minute  
 Pin Material: Phosphor Bronze/Tin over Nickel  
 Material: LCP,UL94V-0(Black)

**HDGC** 深圳市华德共创科技有限公司  
 Shenzhen Huade co-create Technology Co., LTD  
 TEL: 0755-27129737 FAX: 0755-29940187

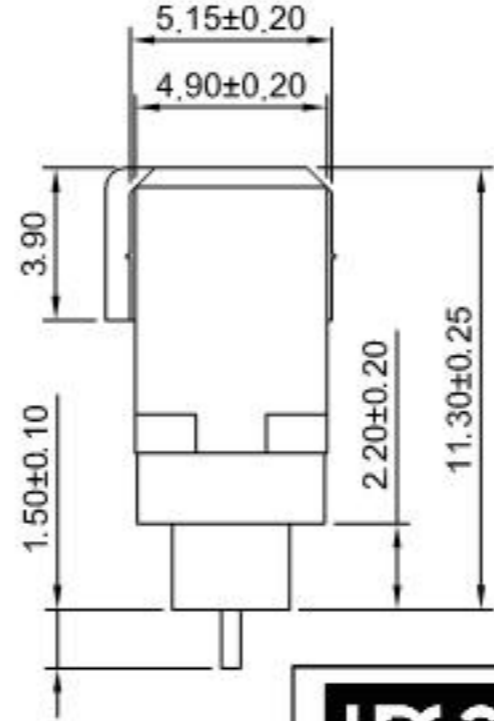
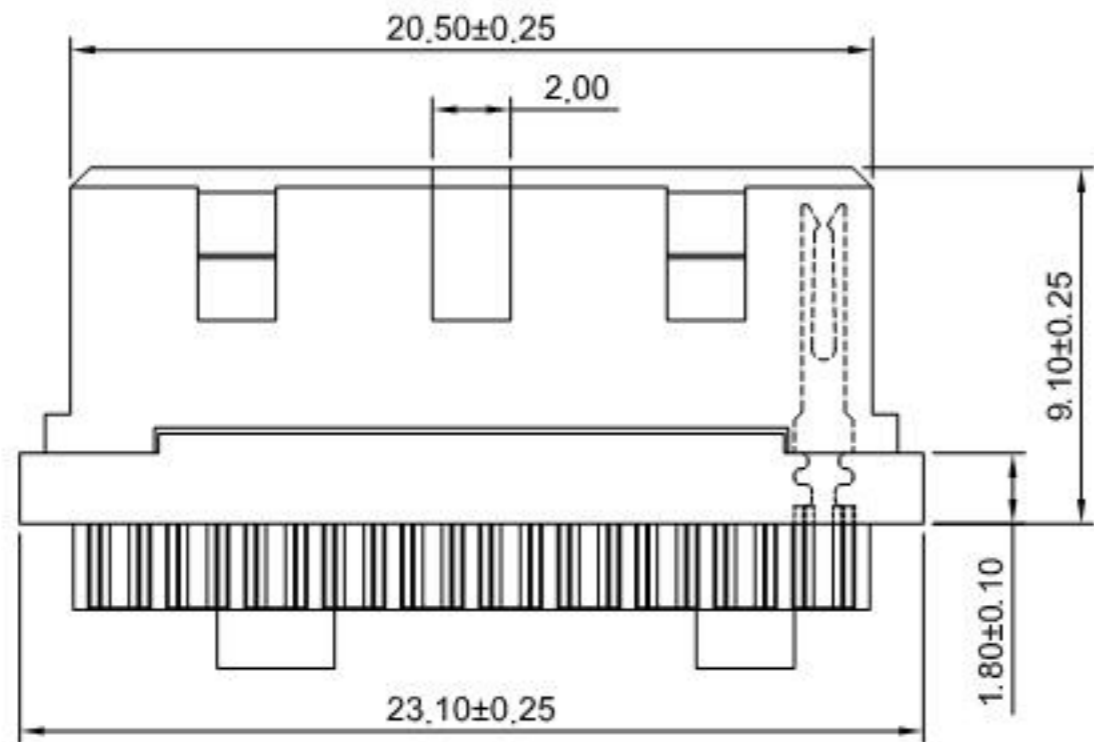
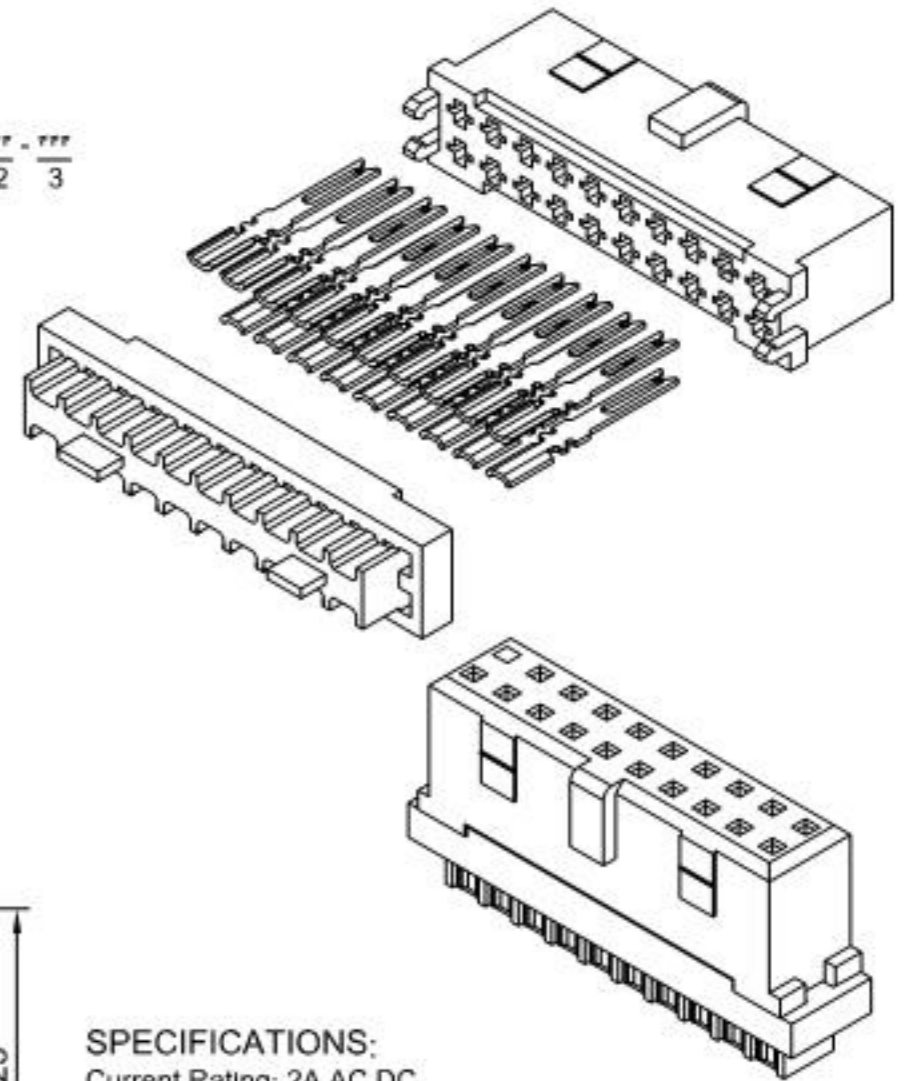
-TOLERANCES- UNLESS OTHERWISE SPECIFIED 公差参数表				TITLE: 2.00mm Pitch 产品名称: 180° Box Header	
X.X	±0.30	X.X°	±3°	APPD: 核准:	XIE
X.XX	±0.30	X.XX°	±2°	CHECK: 校对:	WANG
X.XXX	±0.10	X.XXX°	±1°	DRAW: 绘图:	WANG
PART NO: 产品编号:		DATE		SCALE	UNIT
HDGC2005HWVC-2x10P-K20		2011-11-22		4:1	mm
CODE NUMBER		A008			

修订 REV	标记 MARK	修改摘要 REVISION DESCRIPTION	签名 SIGNATURE	日期 DATE
A0		NEW RELEASE	WANG	2011-11-22



Ordering Information:  
 HDGC2005HWVD-2x10P-K20 -  $\frac{**}{2}$  -  $\frac{***}{3}$

- Part No.
- Color:  
 (blank): Black  
 BL: Blue  
 RD: Red
- Finish:  
 (blank): Tin over Nickel  
 G: Gold over Nickel(1u")  
 G3: Gold over Nickel(3u")  
 G5: Gold over Nickel(5u")  
 G10: Gold over Nickel(10u")  
 G15: Gold over Nickel(15u")

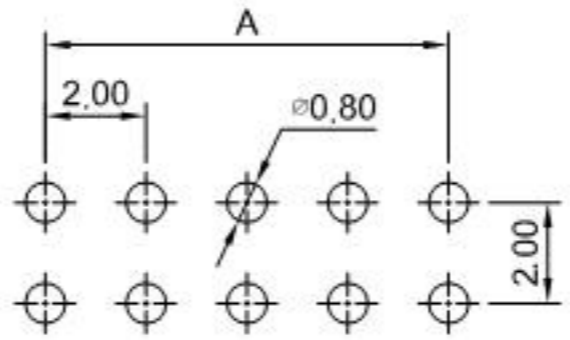
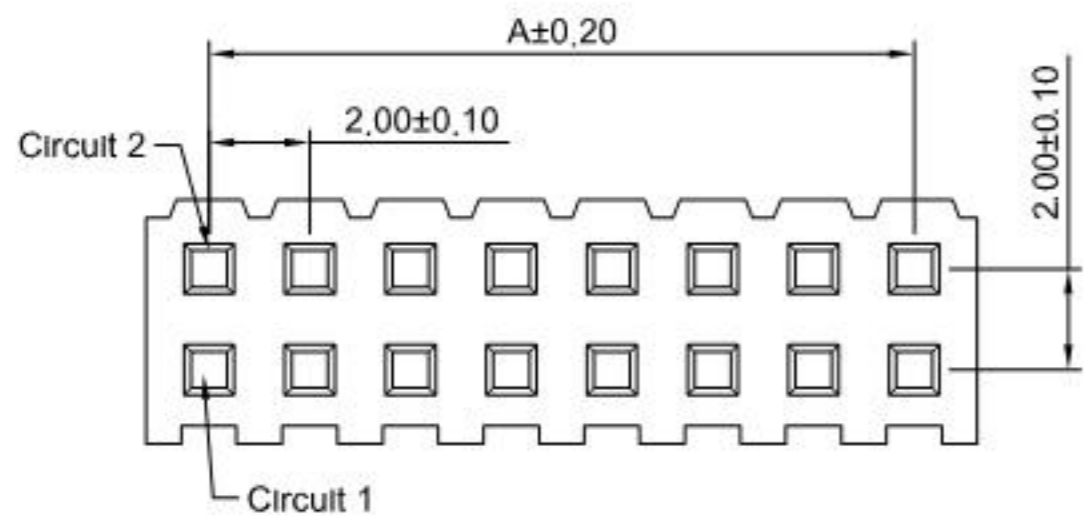


**SPECIFICATIONS:**  
 Current Rating: 2A AC,DC  
 Voltage Rating: 250V AC,DC  
 Temperature Range: -25°C ~ +85°C  
 Contact Resistance: 20mΩ Max  
 Insulation Resistance: 1000MΩ Min  
 Withstanding Voltage: 500V AC/minute  
 Pin Material: Phosphor Bronze/Tin over Nickel  
 Material: LCP,UL94V-0(Black)

**HDGC** 深圳市华德共创科技有限公司  
 Shenzhen Huade co-create Technology Co., LTD  
 TEL: 0755-27129737 FAX: 0755-29940187

-TOLERANCES- UNLESS OTHERWISE SPECIFIED 公差参数表				TITLE: 2.00mm Pitch 产品名称: 180° Box Header	
X.X	±0.30	X.X°	±3°	APPD: 核准:	XIE
X.XX	±0.30	X.XX°	±2°	CHECK: 校对:	WANG
X.XXX	±0.10	X.XXX°	±1°	DRAW: 绘图:	WANG
PART NO: 产品编号:		DATE		SCALE	UNIT
HDGC2005HWVD-2x10P-K20		2011-11-22		4:1	mm
CODE NUMBER				A008	

修订 REV	标记 MARK	修改摘要 REVISION DESCRIPTION	签名 SIGNATURE	日期 DATE
A0		NEW RELEASE	WANG	2017-11-22

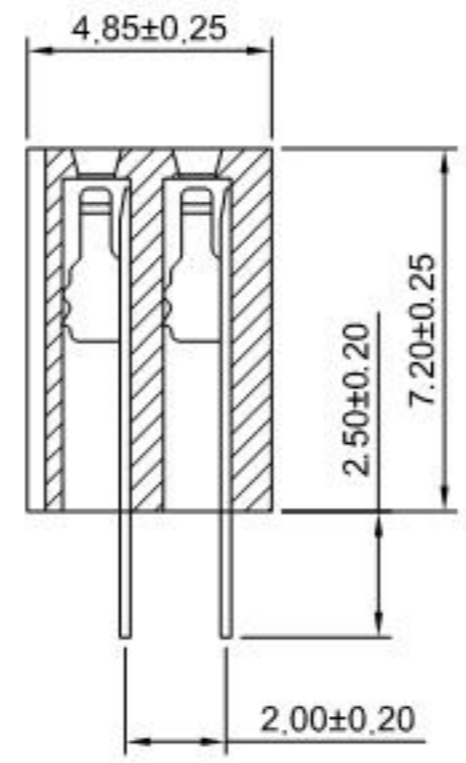
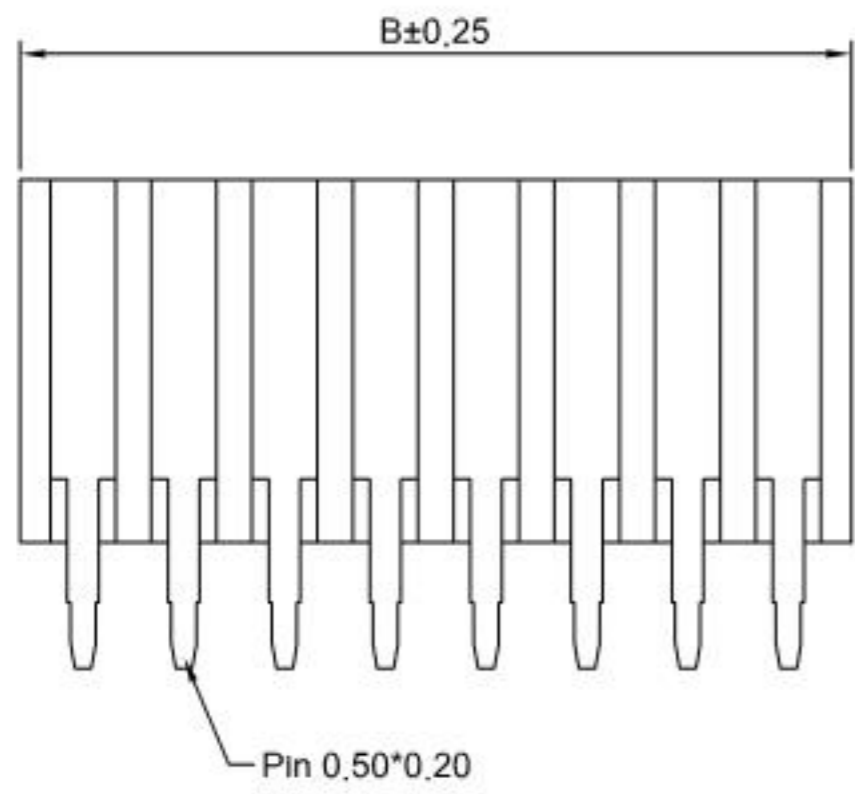


PCB LAYOUT

**SPECIFICATIONS:**  
 Current Rating: 2A AC,DC  
 Voltage Rating: 250V AC,DC  
 Temperature Range: -25°C ~ +85°C  
 Contact Resistance: 20mΩ Max  
 Insulation Resistance: 1000MΩ Min  
 Withstanding Voltage: 500V AC/minute  
 Pin Material: Brass/Gold over Nickel  
 Material: Nylon 6T,UL94V-0(Black)

Ordering Information & Dimensions

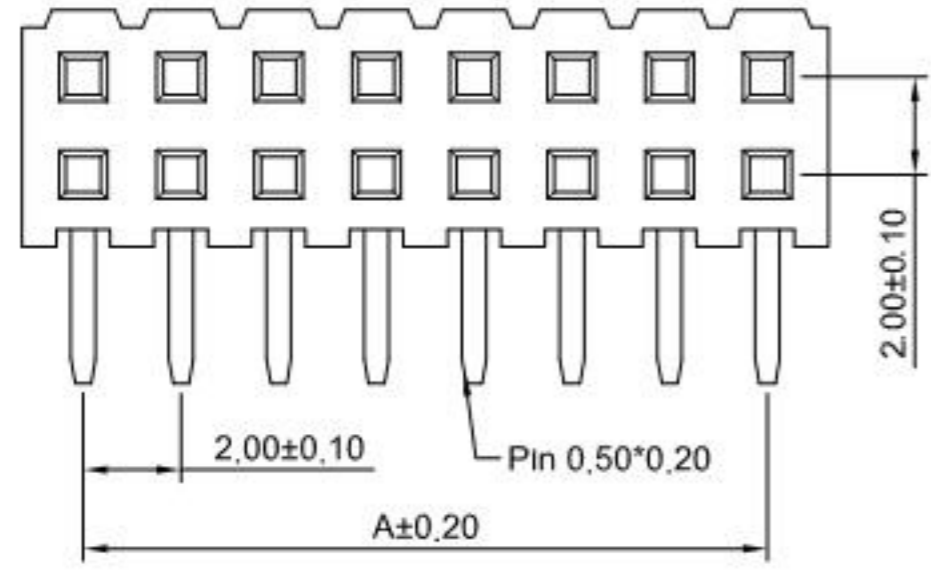
Circuits	Dim(mm)		Circuits	Dim(mm)		Circuits	Dim(mm)	
	A	B		A	B		A	B
2x2P	2.00	4.50	2x15P	28.00	30.50	2x28P	54.00	56.50
2x3P	4.00	6.50	2x16P	30.00	32.50	2x29P	56.00	58.50
2x4P	6.00	8.50	2x17P	32.00	34.50	2x30P	58.00	60.50
2x5P	8.00	10.50	2x18P	34.00	36.50	2x31P	60.00	62.50
2x6P	10.00	12.50	2x19P	36.00	38.50	2x32P	62.00	64.50
2x7P	12.00	14.50	2x20P	38.00	40.50	2x33P	64.00	66.50
2x8P	14.00	16.50	2x21P	40.00	42.50	2x34P	66.00	68.50
2x9P	16.00	18.50	2x22P	42.00	44.50	2x35P	68.00	70.50
2x10P	18.00	20.50	2x23P	44.00	46.50	2x36P	70.00	72.50
2x11P	20.00	22.50	2x24P	46.00	48.50	2x37P	72.00	74.50
2x12P	22.00	24.50	2x25P	48.00	50.50	2x38P	74.00	76.50
2x13P	24.00	26.50	2x26P	50.00	52.50	2x39P	76.00	78.50
2x14P	26.00	28.50	2x27P	52.00	54.50	2x40P	78.00	80.50



**深圳市华德共创科技有限公司**  
 Shenzhen Huade co-create Technology Co., LTD  
 TEL: 0755-27129737 FAX: 0755-29940187

-TOLERANCES- UNLESS OTHERWISE SPECIFIED 公差参数表						TITLE: 2.00mm Pitch 产品名称: 180° Header			
X.X	±0.30	X.X°	±3°	APPD: 核准:	XIE	PART NO: 产品编号: HDGC2005HWVE-2xXP			
X.XX	±0.30	X.XX°	±2°	CHECK: 校对:	WANG	DATE	SCALE	UNIT	CODE NUMBER
X.XXX	±0.10	X.XXX°	±1°	DRAW: 绘图:	WANG	2017-11-22	5:1	mm	A008

修订 REV	标记 MARK	修改摘要 REVISION DESCRIPTION	签名 SIGNATURE	日期 DATE
A0		NEW RELEASE	WANG	2017-11-22



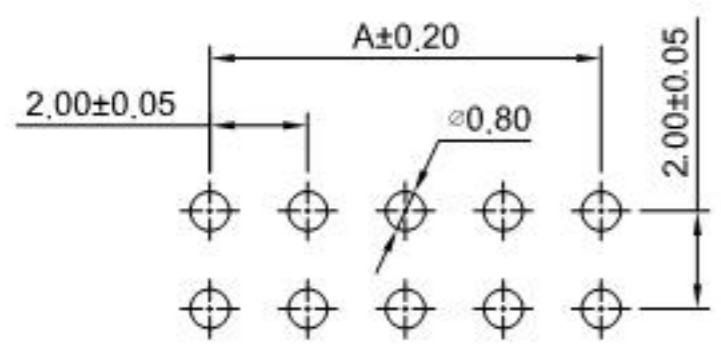
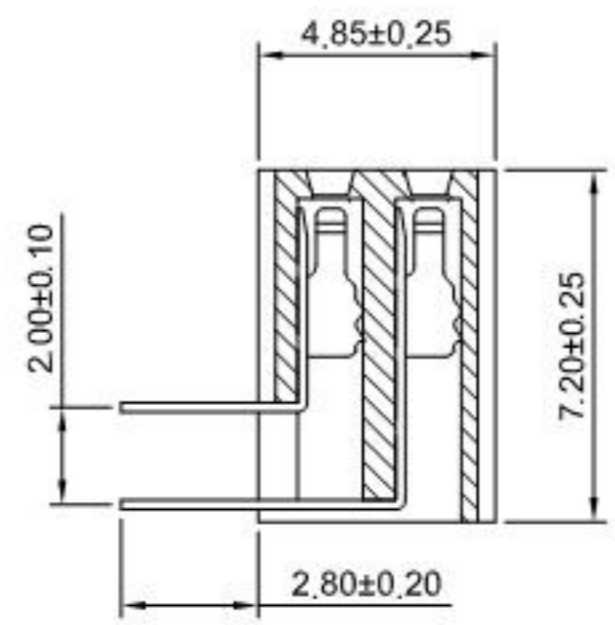
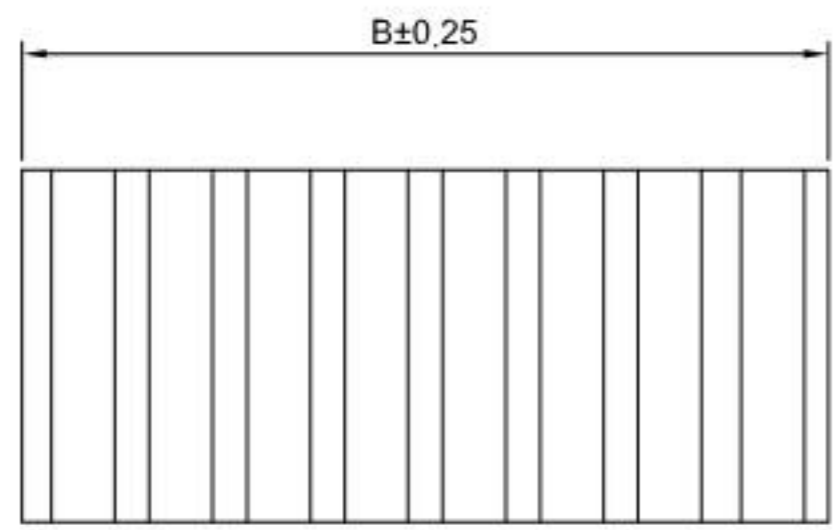
Ordering Information:  
 HDGC2005HWRE-2xXP - <sup>\*\*\*</sup>/<sub>2</sub>

- 1. Part No.
- 2. Material:  
 (Blank): Gold over Nickel  
 I: Tin over Nickel

**SPECIFICATIONS:**  
 Current Rating: 2A AC,DC  
 Voltage Rating: 250V AC,DC  
 Temperature Range: -25°C ~ +85°C  
 Contact Resistance: 20mΩ Max  
 Insulation Resistance: 1000MΩ Min  
 Withstanding Voltage: 500V AC/minute  
 Pin Material: Brass/Gold over Nickel  
 Material: Nylon 6T, UL94V-0(Black)

Ordering Information & Dimensions

Circuits	Dim(mm)		Circuits	Dim(mm)		Circuits	Dim(mm)	
	A	B		A	B		A	B
2x2P	2.00	4.50	2x15P	28.00	30.50	2x28P	54.00	56.50
2x3P	4.00	6.50	2x16P	30.00	32.50	2x29P	56.00	58.50
2x4P	6.00	8.50	2x17P	32.00	34.50	2x30P	58.00	60.50
2x5P	8.00	10.50	2x18P	34.00	36.50	2x31P	60.00	62.50
2x6P	10.00	12.50	2x19P	36.00	38.50	2x32P	62.00	64.50
2x7P	12.00	14.50	2x20P	38.00	40.50	2x33P	64.00	66.50
2x8P	14.00	16.50	2x21P	40.00	42.50	2x34P	66.00	68.50
2x9P	16.00	18.50	2x22P	42.00	44.50	2x35P	68.00	70.50
2x10P	18.00	20.50	2x23P	44.00	46.50	2x36P	70.00	72.50
2x11P	20.00	22.50	2x24P	46.00	48.50	2x37P	72.00	74.50
2x12P	22.00	24.50	2x25P	48.00	50.50	2x38P	74.00	76.50
2x13P	24.00	26.50	2x26P	50.00	52.50	2x39P	76.00	78.50
2x14P	26.00	28.50	2x27P	52.00	54.50	2x40P	78.00	80.50

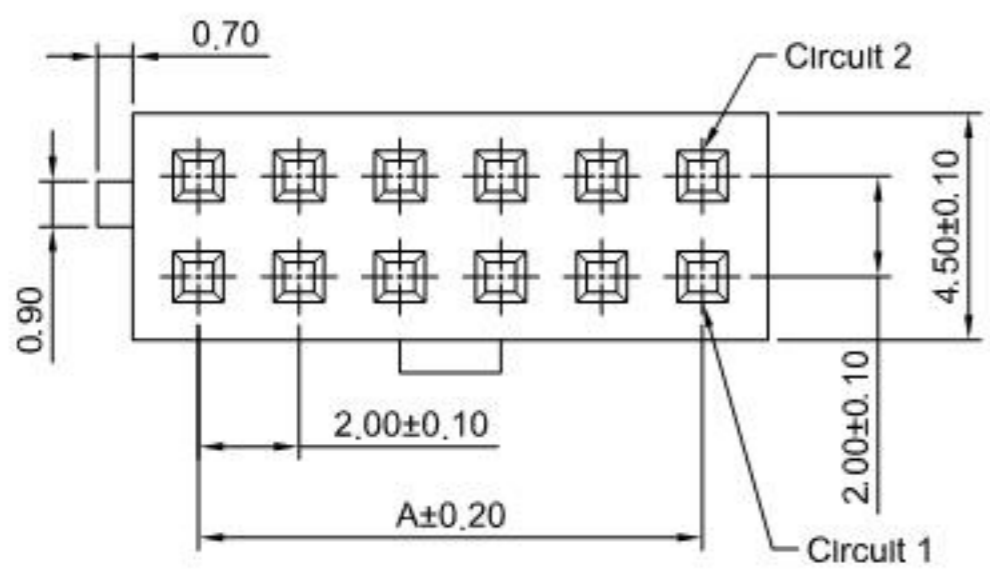


P.C.B LAYOUT

**HDGC** 深圳市华德共创科技有限公司  
 Shenzhen Huade co-create Technology Co., LTD  
 TEL: 0755-27129737 FAX: 0755-29940187

-TOLERANCES- UNLESS OTHERWISE SPECIFIED 公差参数表				TITLE: 2.00mm Pitch 产品名称: 90° Header	
X.X	±0.30	X.X°	±3°	APPD: 核准:	XIE
X.XX	±0.30	X.XX°	±2°	CHECK: 校对:	WANG
X.XXX	±0.10	X.XXX°	±1°	DRAW: 绘图:	WANG
PART NO: 产品编号:		HDGC2005HWRE-2xXP		DATE	2017-11-22
SCALE		5:1	UNIT	mm	CODE NUMBER
A008					

修订 REV	标记 MARK	修改摘要 REVISION DESCRIPTION	签名 SIGNATURE	日期 DATE
A0		NEW RELEASE	WANG	2011-11-22



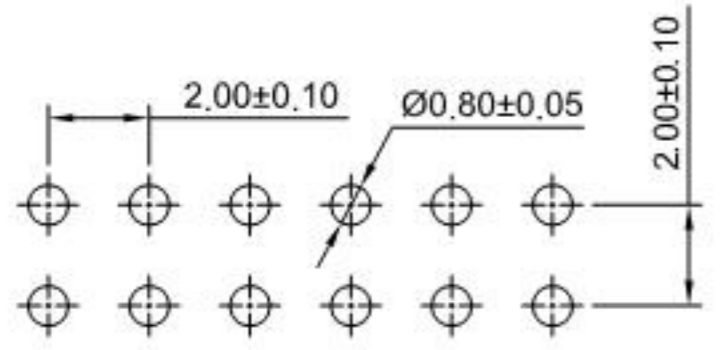
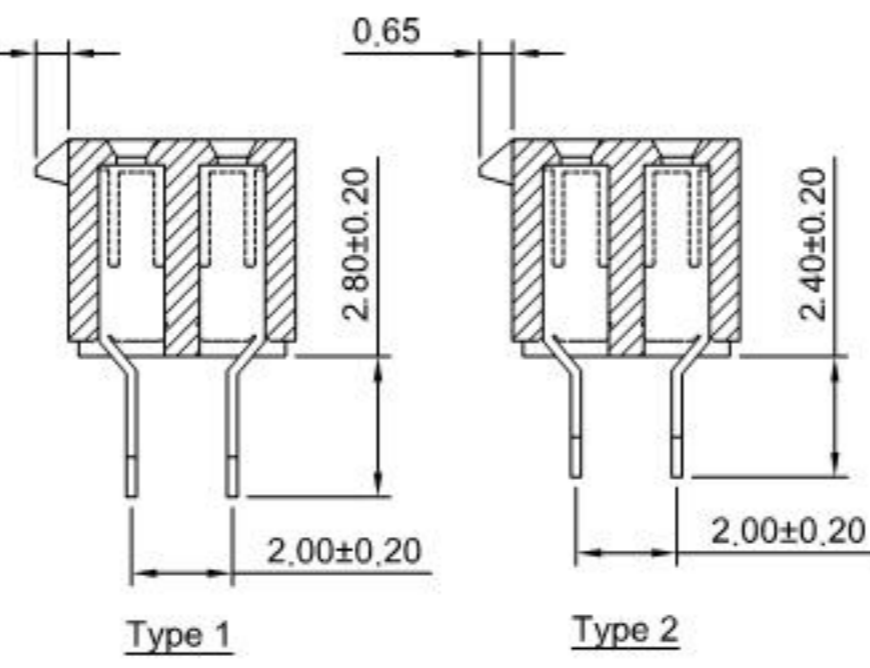
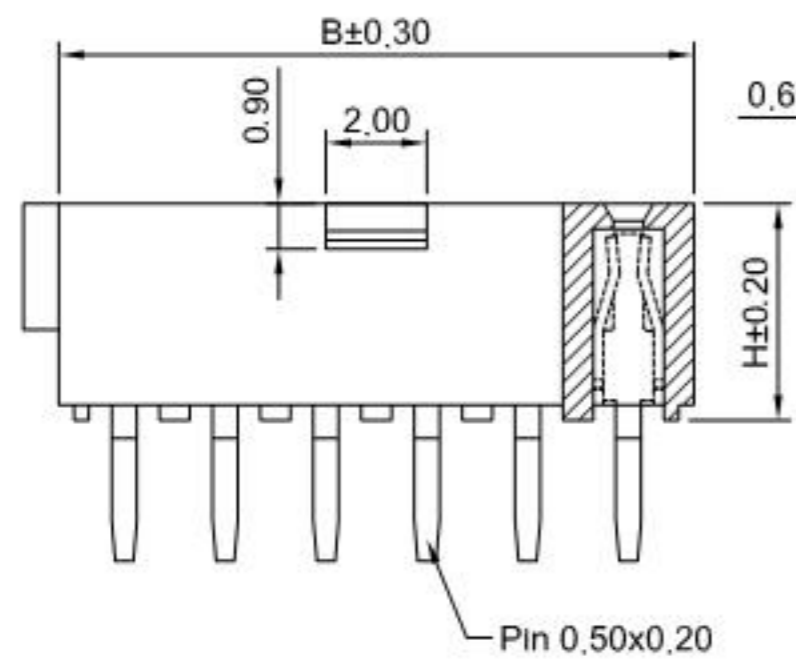
Ordering Information:  
 HDGC2005HWVB-2xXP -  $\frac{XXX}{2} - \frac{X}{3}$

- Part No.
- Size(H):  
 (blank): 4.30mm  
 H40: 4.00mm  
 H46: 4.60mm  
 H635: 6.35mm
- Type:  
 (blank): Type 1  
 L: Type 2

**SPECIFICATIONS:**  
 Current Rating: 2A AC,DC  
 Voltage Rating: 250V AC,DC  
 Temperature Range: -25°C ~ +85°C  
 Contact Resistance: 20mΩ Max  
 Insulation Resistance: 1000MΩ Min  
 Withstanding Voltage: 500V AC/minute  
 Pin Material: Phosphor Bronze/Gold over Nickel  
 Material: Nylon 6T, UL94V-0(Black)

Ordering Information & Dimensions

Circuits	Dim(mm)		Circuits	Dim(mm)		Circuits	Dim(mm)	
	A	B		A	B		A	B
2x2P	2.00	4.60	2x15P	28.00	30.60	2x28P	54.00	56.60
2x3P	4.00	6.60	2x16P	30.00	32.60	2x29P	56.00	58.60
2x4P	6.00	8.60	2x17P	32.00	34.60	2x30P	58.00	60.60
2x5P	8.00	10.60	2x18P	34.00	36.60	2x31P	60.00	62.60
2x6P	10.00	12.60	2x19P	36.00	38.60	2x32P	62.00	64.60
2x7P	12.00	14.60	2x20P	38.00	40.60	2x33P	64.00	66.60
2x8P	14.00	16.60	2x21P	40.00	42.60	2x34P	66.00	68.60
2x9P	16.00	18.60	2x22P	42.00	44.60	2x35P	68.00	70.60
2x10P	18.00	20.60	2x23P	44.00	46.60	2x36P	70.00	72.60
2x11P	20.00	22.60	2x24P	46.00	48.60	2x37P	72.00	74.60
2x12P	22.00	24.60	2x25P	48.00	50.60	2x38P	74.00	76.60
2x13P	24.00	26.60	2x26P	50.00	52.60	2x39P	76.00	78.60
2x14P	26.00	28.60	2x27P	52.00	54.60	2x40P	78.00	80.60



PCB LAYOUT

**HDGC** 深圳市华德共创科技有限公司  
 Shenzhen Huade co-create Technology Co., LTD  
 TEL: 0755-27129737 FAX: 0755-29940187

-TOLERANCES- UNLESS OTHERWISE SPECIFIED 公差参数表				TITLE: 2.00mm Pitch 产品名称: 180° Header	
X.X	±0.30	X.X°	±3°	APPD: 核准:	XIE
X.XX	±0.30	X.XX°	±2°	CHECK: 校对:	WANG
X.XXX	±0.10	X.XXX°	±1°	DRAW: 绘图:	WANG
PART NO: 产品编号:		HDGC2005HWVB-2xXP		DATE	2011-11-22
SCALE		4:1		UNIT	mm
CODE NUMBER		A008			

修订 REV	标记 MARK	修改摘要 REVISION DESCRIPTION	签名 SIGNATURE	日期 DATE
A0		NEW RELEASE	WANG	2017-11-22

**Ordering Information:**

HDGC2005HWV-N-2xXP-W40 - \*\*\* - \*\*\*  
1 2 3

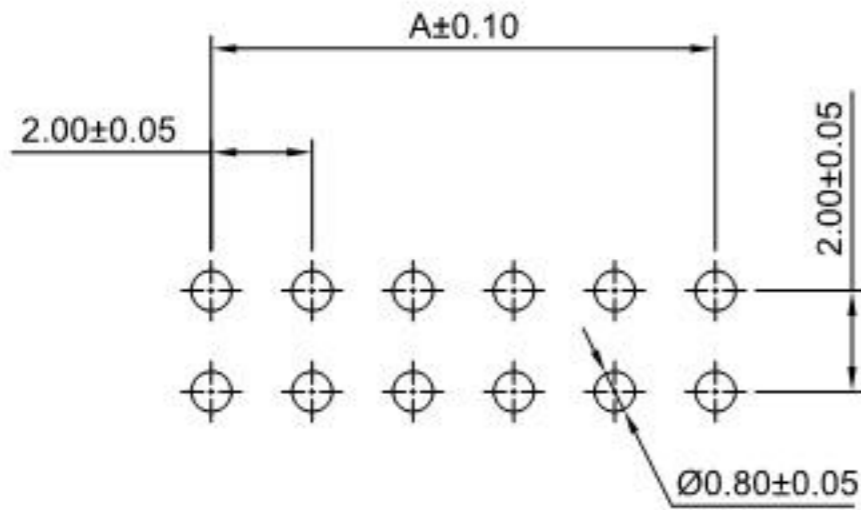
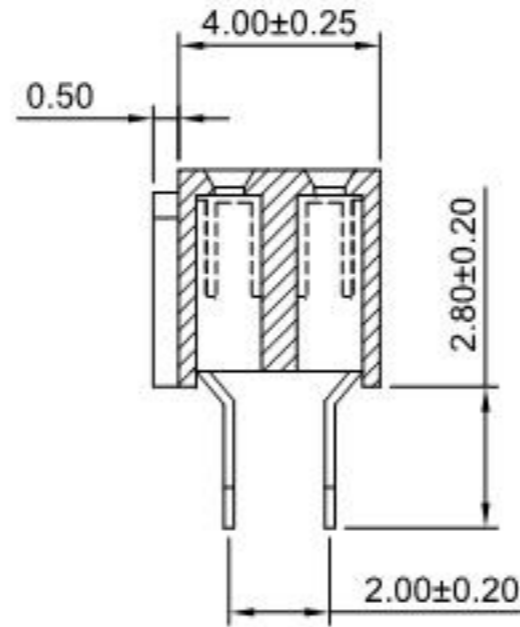
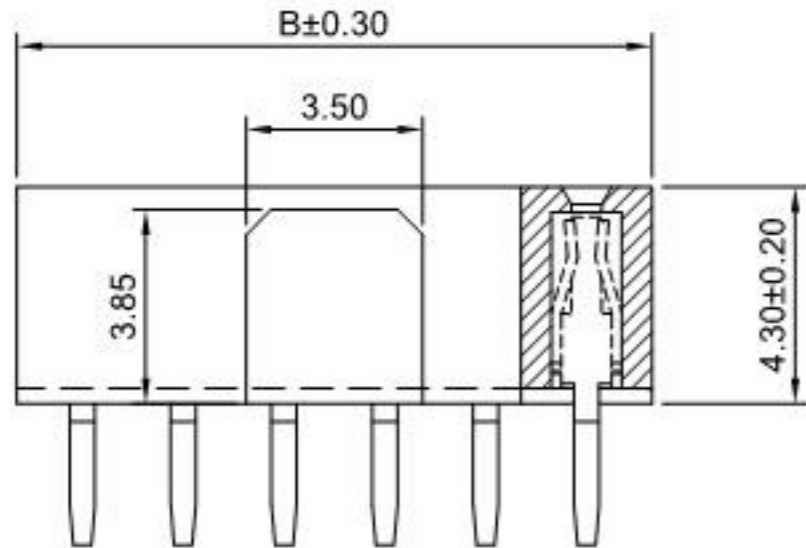
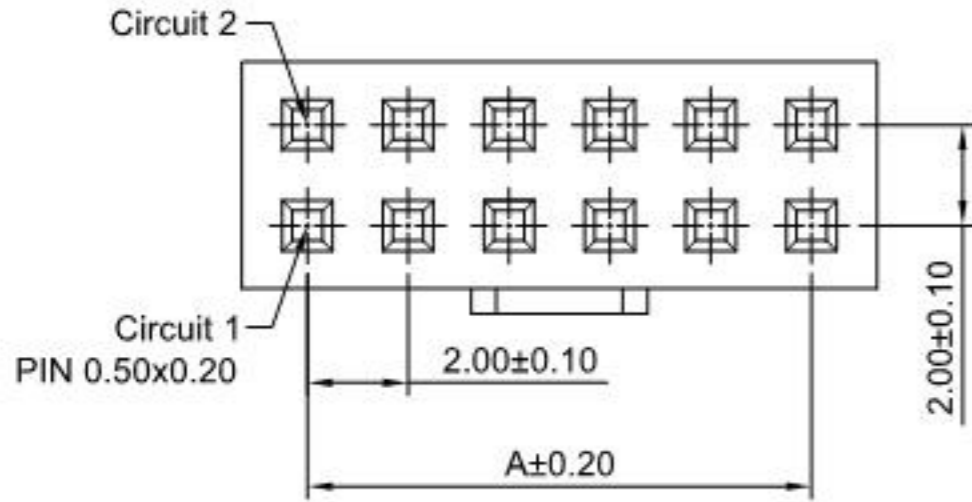
- Part No.
- Material:  
 (blank) - PBT,UL94V-0  
 6T - Nylon 6T,UL94V-0  
 GWT - Nylon 6T,UL94V-0,GWT 750 °C
- Finish:  
 (blank) - Gold over Nickel  
 T - Tin over Nickel

**SPECIFICATIONS:**

Current Rating: 2A AC,DC  
 Voltage Rating: 250V AC,DC  
 Temperature Range: -25°C ~ +85°C  
 Contact Resistance: 20mΩ Max  
 Insulation Resistance: 1000MΩ Min  
 Withstanding Voltage: 500V AC/minute  
 Pin Material: Brass/Gold over Nickel  
 Material: PBT,UL94V-0(Black)

**Ordering Information & Dimensions**

Circuits	Dimensions (mm)		Circuits	Dimensions (mm)		Circuits	Dimensions (mm)	
	A	B		A	B		A	B
2x2P	2.00	4.50	2x15P	28.00	30.50	2x28P	54.00	56.50
2x3P	4.00	6.50	2x16P	30.00	32.50	2x29P	56.00	58.50
2x4P	6.00	8.50	2x17P	32.00	34.50	2x30P	58.00	60.50
2x5P	8.00	10.50	2x18P	34.00	36.50	2x31P	60.00	62.50
2x6P	10.00	12.50	2x19P	36.00	38.50	2x32P	62.00	64.50
2x7P	12.00	14.50	2x20P	38.00	40.50	2x33P	64.00	66.50
2x8P	14.00	16.50	2x21P	40.00	42.50	2x34P	66.00	68.50
2x9P	16.00	18.50	2x22P	42.00	44.50	2x35P	68.00	70.50
2x10P	18.00	20.50	2x23P	44.00	46.50	2x36P	70.00	72.50
2x11P	20.00	22.50	2x24P	46.00	48.50	2x37P	72.00	74.50
2x12P	22.00	24.50	2x25P	48.00	50.50	2x38P	74.00	76.50
2x13P	24.00	26.50	2x26P	50.00	52.50	2x39P	76.00	78.50
2x14P	26.00	28.50	2x27P	52.00	54.50	2x40P	78.00	80.50



PCB LAYOUT



深圳市华德共创科技有限公司

Shenzhen Huade co-create Technology Co., LTD

TEL: 0755-27129737 FAX: 0755-29940187

-TOLERANCES- UNLESS OTHERWISE SPECIFIED 公差参数表				TITLE: 2.00mm Pitch 产品名称: 180° Female Header	
X.X	±0.30	X.X°	±3°	APPD: 核准:	XIE
X.XX	±0.30	X.XX°	±2°	CHECK: 校对:	WANG
X.XXX	±0.10	X.XXX°	±1°	DRAW: 绘图:	WANG
PART NO: 产品编号:		DATE		SCALE	UNIT
HDGC2005HWV-N-2xXP-W40		2017-11-22		5:1	mm
CODE NUMBER				A008	

修订 REV	标记 MARK	修改摘要 REVISION DESCRIPTION	签名 SIGNATURE	日期 DATE
A0		NEW RELEASE	WANG	2017-11-22

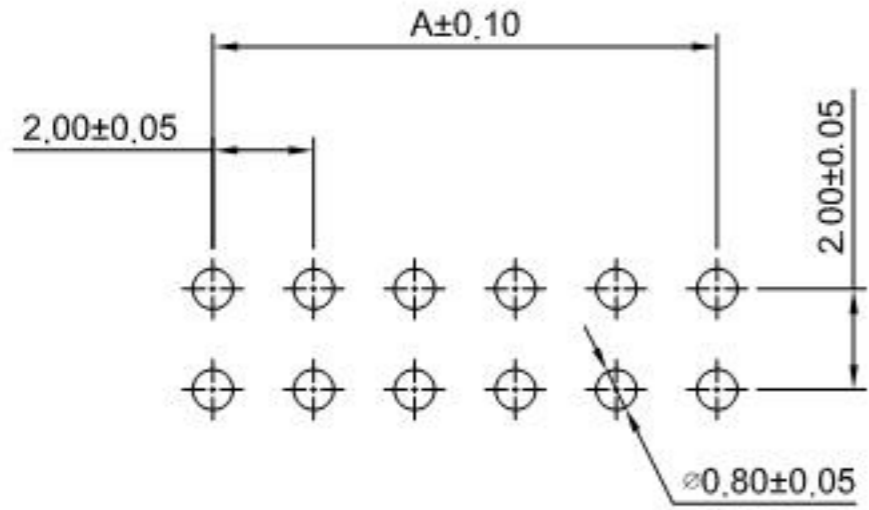
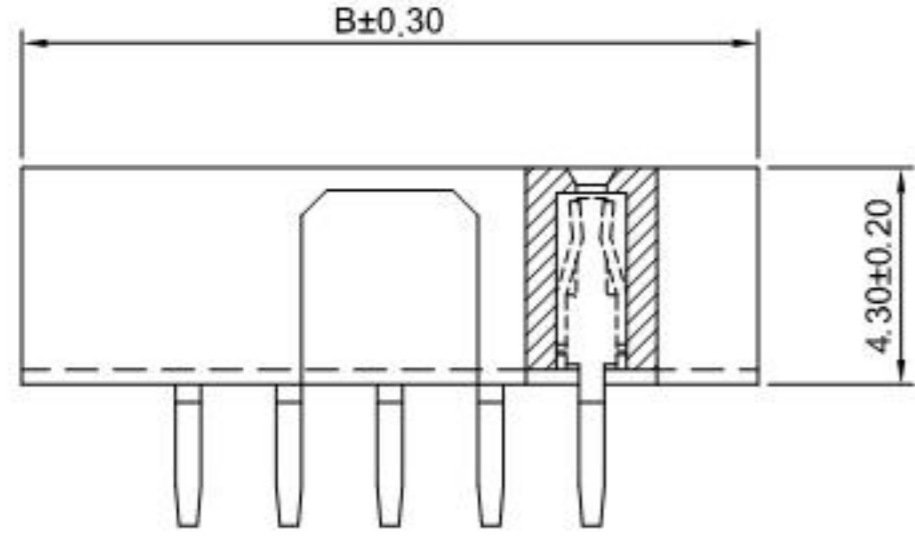
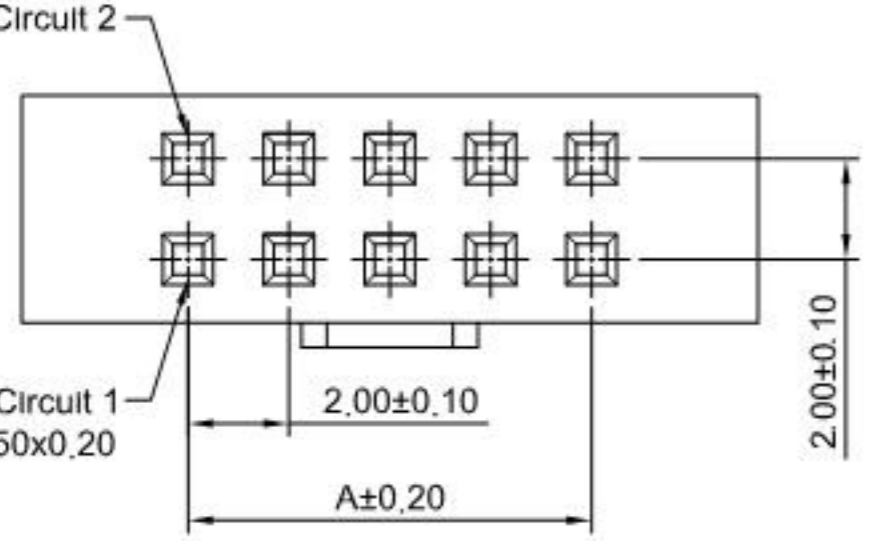
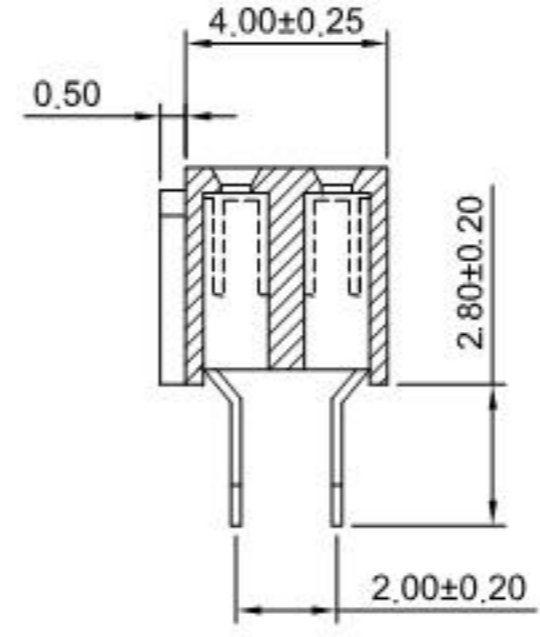
Ordering Information:  
 HDGC2005HWVA-N-2xXP-W40 -  $\frac{xxx}{2}$  -  $\frac{xxx}{3}$

- Part No.
- Material:  
 (blank) - PBT,UL94V-0  
 6T - Nylon 6T,UL94V-0  
 GWT - Nylon 6T,UL94V-0,GWT 750 °C
- Finish:  
 (blank) - Gold over Nickel  
 T - Tin over Nickel

**SPECIFICATIONS:**  
 Current Rating: 2A AC,DC  
 Voltage Rating: 250V AC,DC  
 Temperature Range: -25°C ~ +85°C  
 Contact Resistance: 20mΩ Max  
 Insulation Resistance: 1000MΩ Min  
 Withstanding Voltage: 500V AC/minute  
 Pin Material: Brass/Gold over Nickel  
 Material: PBT,UL94V-0(Black)

Ordering Information & Dimensions

Circuits	Dimensions (mm)		Circuits	Dimensions (mm)		Circuits	Dimensions (mm)	
	A	B		A	B		A	B
2x2P	2,00	8,50	2x15P	28,00	34,50	2x28P	54,00	60,50
2x3P	4,00	10,50	2x16P	30,00	36,50	2x29P	56,00	62,50
2x4P	6,00	12,50	2x17P	32,00	38,50	2x30P	58,00	64,50
2x5P	8,00	14,50	2x18P	34,00	40,50	2x31P	60,00	66,50
2x6P	10,00	16,50	2x19P	36,00	42,50	2x32P	62,00	68,50
2x7P	12,00	18,50	2x20P	38,00	44,50	2x33P	64,00	70,50
2x8P	14,00	20,50	2x21P	40,00	46,50	2x34P	66,00	72,50
2x9P	16,00	22,50	2x22P	42,00	48,50	2x35P	68,00	74,50
2x10P	18,00	24,50	2x23P	44,00	50,50	2x36P	70,00	76,50
2x11P	20,00	26,50	2x24P	46,00	52,50	2x37P	72,00	78,50
2x12P	22,00	28,50	2x25P	48,00	54,50	2x38P	74,00	80,50
2x13P	24,00	30,50	2x26P	50,00	56,50	2x39P	76,00	82,50
2x14P	26,00	32,50	2x27P	52,00	58,50	2x40P	78,00	84,50

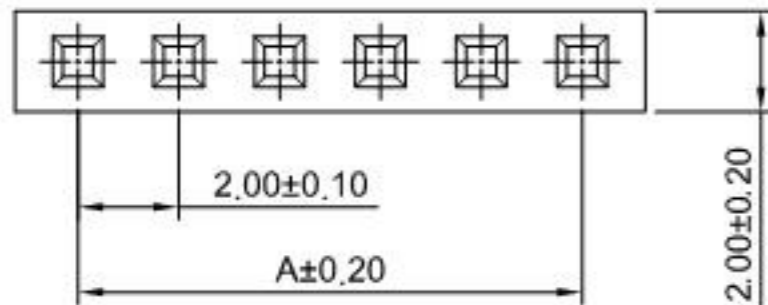


PCB LAYOUT

**深圳市华德共创科技有限公司**  
 Shenzhen Huade co-create Technology Co., LTD  
 TEL: 0755-27129737 FAX: 0755-29940187

-TOLERANCES- UNLESS OTHERWISE SPECIFIED 公差参数表		 	TITLE: 2.00mm Pitch 产品名称: 180° Female Header						
X.X	±0.30	X.X°	±3°	APPD: 核准:	XIE	PART NO: 产品编号: HDGC2005HWVA-N-2xXP-W40			
X.XX	±0.30	X.XX°	±2°	CHECK: 校对:	WANG	DATE	SCALE	UNIT	CODE NUMBER
X.XXX	±0.10	X.XXX°	±1°	DRAW: 绘图:	WANG	2017-11-22	5:1	mm	A008

修订 REV	标记 MARK	修改摘要 REVISION DESCRIPTION	签名 SIGNATURE	日期 DATE
A0		NEW RELEASE	WANG	2017-11-22



Ordering Information:  
 HDGC2005HWV-XP-Y -  $\frac{???}{2}$

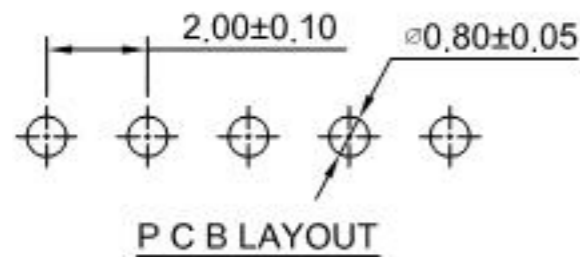
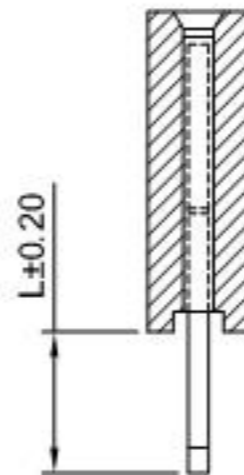
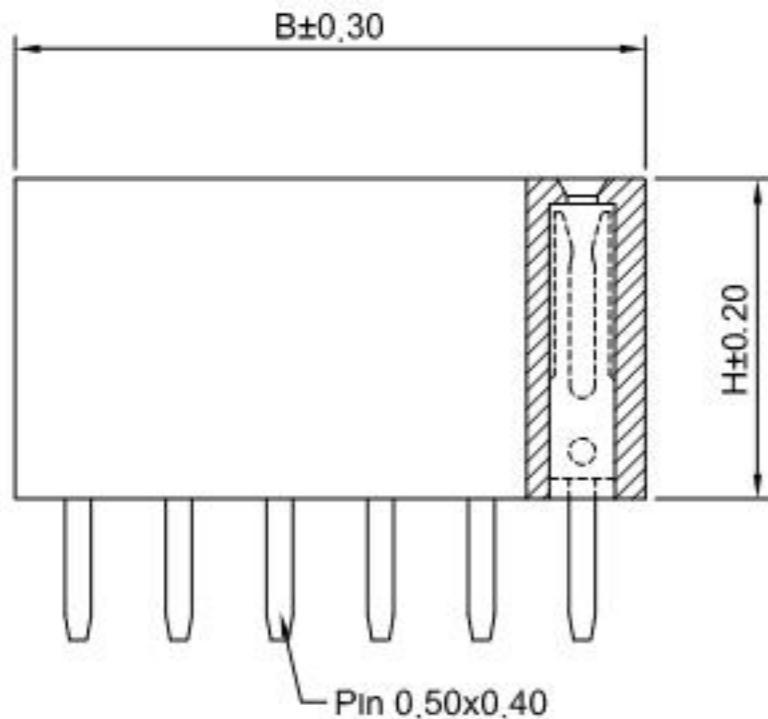
1, Part No.  
 2, Size(H):  
 (Blank): 6.35mm(L: 2.8mm)  
 H65: 6.50mm(L: 3.00mm)

**SPECIFICATIONS:**

Current Rating: 2A AC,DC  
 Voltage Rating: 250V AC,DC  
 Temperature Range: -25°C ~ +85°C  
 Contact Resistance: 20mΩ Max  
 Insulation Resistance: 1000MΩ Min  
 Withstanding Voltage: 500V AC/minute  
 Pin Material: Brass/Gold over Nickel  
 Material: Nylon 6T, UL94V-0(Black)

**Ordering Information & Dimensions**

Circuits	Dim(mm)		Circuits	Dim(mm)		Circuits	Dim(mm)	
	A	B		A	B		A	B
2P	2.00	4.50	15P	28.00	50.50	28P	54.00	56.50
3P	4.00	6.50	16P	30.00	32.50	29P	56.00	58.50
4P	6.00	8.50	17P	32.00	34.50	30P	58.00	60.50
5P	8.00	10.50	18P	34.00	36.50	31P	60.00	62.50
6P	10.00	12.50	19P	36.00	38.50	32P	62.00	64.50
7P	12.00	14.50	20P	38.00	40.50	33P	64.00	66.50
8P	14.00	16.50	21P	40.00	42.50	34P	66.00	68.50
9P	16.00	18.50	22P	42.00	44.50	35P	68.00	70.50
10P	18.00	20.50	23P	44.00	46.50	36P	70.00	72.50
11P	20.00	22.50	24P	46.00	48.50	37P	72.00	74.50
12P	22.00	24.50	25P	48.00	50.50	38P	74.00	76.50
13P	24.00	26.50	26P	50.00	52.50	39P	76.00	78.50
14P	26.00	28.50	27P	52.00	54.50	40P	78.00	80.50



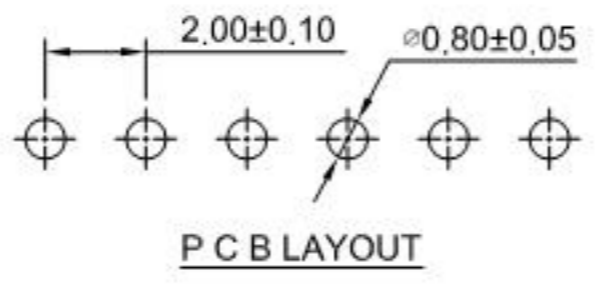
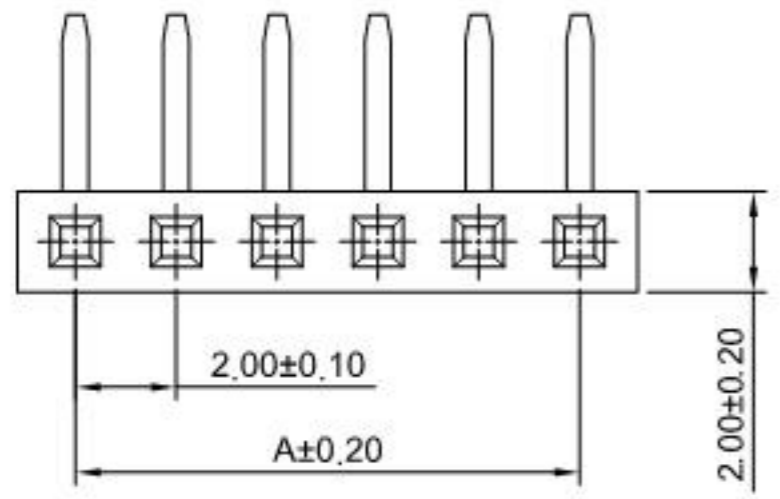
深圳市华德共创科技有限公司

Shenzhen Huade co-create Technology Co., LTD

TEL: 0755-27129737 FAX: 0755-29940187

-TOLERANCES- UNLESS OTHERWISE SPECIFIED 公差参数表						TITLE: 2.00mm Pitch 产品名称: 180° Female Header			
X.X	±0.30	X.X°	±3°	APPD: 核准:	XIE	PART NO: 产品编号: HDGC2005HWV-XP-Y			
X.XX	±0.30	X.XX°	±2°	CHECK: 校对:	WANG	DATE	SCALE	UNIT	CODE NUMBER
X.XXX	±0.10	X.XXX°	±1°	DRAW: 绘图:	WANG	2017-11-22	5:1	mm	A008

修订 REV	标记 MARK	修改摘要 REVISION DESCRIPTION	签名 SIGNATURE	日期 DATE
A0		NEW RELEASE	WANG	2017-11-22

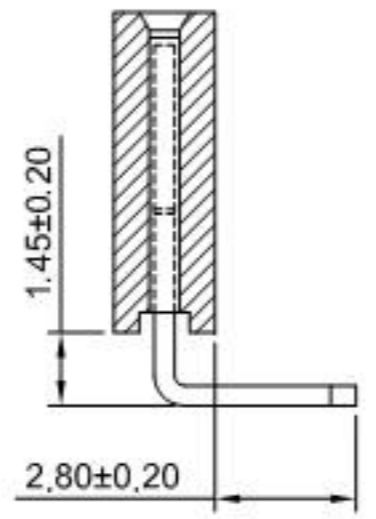
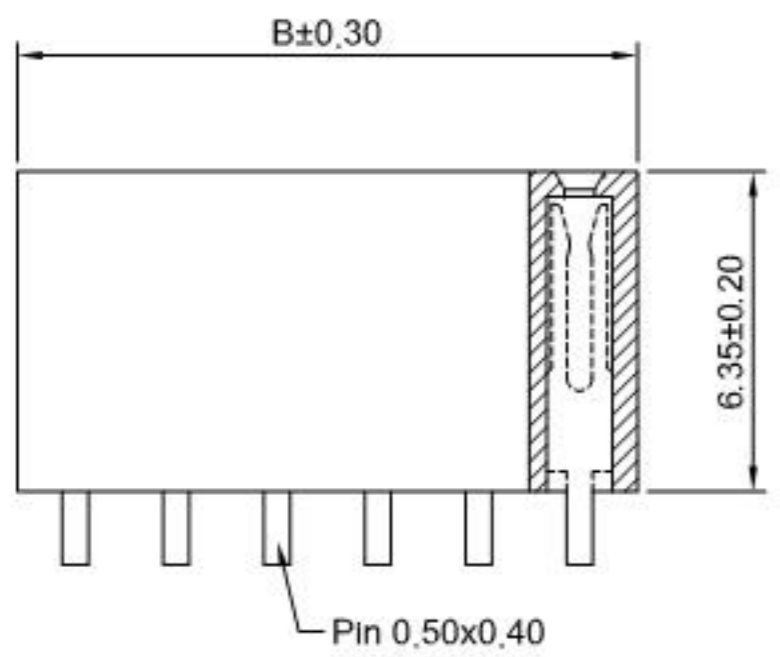


**SPECIFICATIONS:**

Current Rating: 2A AC,DC  
Voltage Rating: 250V AC,DC  
Temperature Range: -25°C ~ +85°C  
Contact Resistance: 20mΩ Max  
Insulation Resistance: 1000MΩ Min  
Withstanding Voltage: 500V AC/minute  
Pin Material: Brass/Gold over Nickel  
Material: Nylon 6T,UL94V-0(Black)

**Ordering Information & Dimensions**

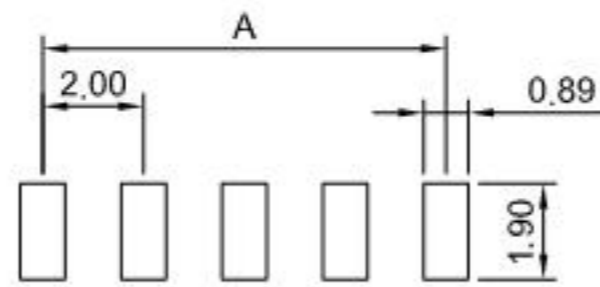
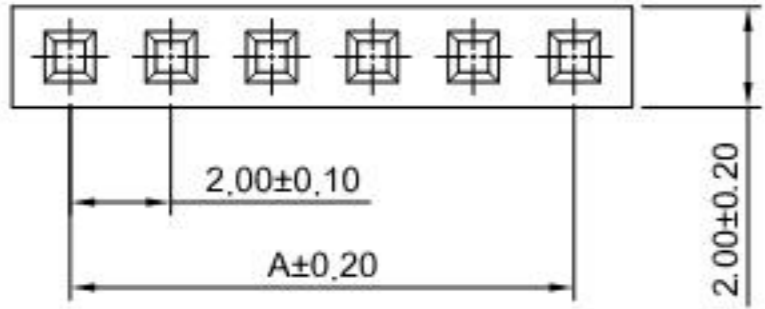
Circuits	Dim(mm)		Circuits	Dim(mm)		Circuits	Dim(mm)	
	A	B		A	B		A	B
2P	2.00	4.50	15P	28.00	30.50	28P	54.00	56.50
3P	4.00	6.50	16P	30.00	32.50	29P	56.00	58.50
4P	6.00	8.50	17P	32.00	34.50	30P	58.00	60.50
5P	8.00	10.50	18P	34.00	36.50	31P	60.00	62.50
6P	10.00	12.50	19P	36.00	38.50	32P	62.00	64.50
7P	12.00	14.50	20P	38.00	40.50	33P	64.00	66.50
8P	14.00	16.50	21P	40.00	42.50	34P	66.00	68.50
9P	16.00	18.50	22P	42.00	44.50	35P	68.00	70.50
10P	18.00	20.50	23P	44.00	46.50	36P	70.00	72.50
11P	20.00	22.50	24P	46.00	48.50	37P	72.00	74.50
12P	22.00	24.50	25P	48.00	50.50	38P	74.00	76.50
13P	24.00	26.50	26P	50.00	52.50	39P	76.00	78.50
14P	26.00	28.50	27P	52.00	54.50	40P	78.00	80.50



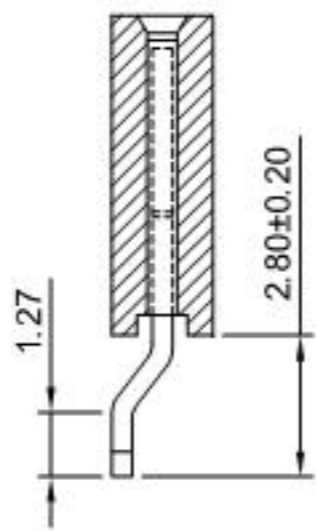
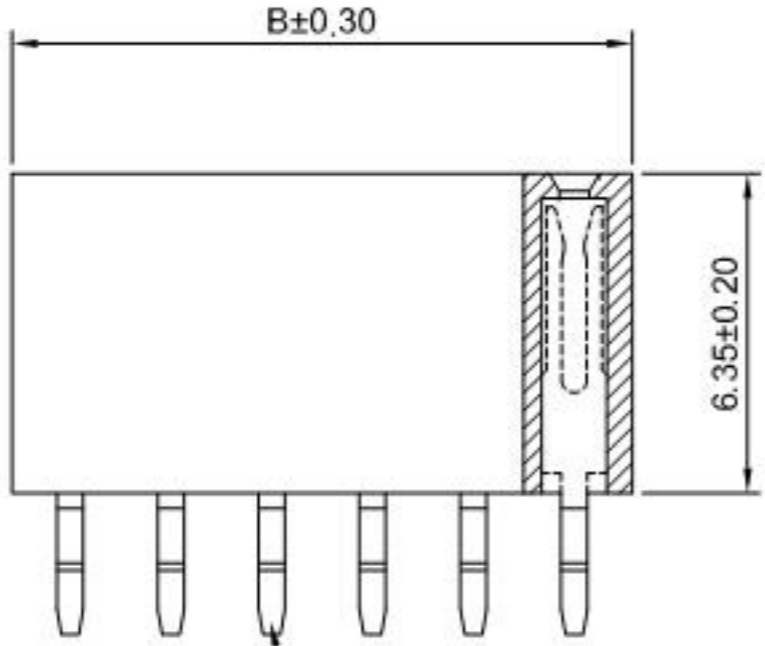
**HDC** 深圳市华德共创科技有限公司  
Shenzhen Huade co-create Technology Co., LTD  
TEL: 0755-27129737 FAX: 0755-29940187

-TOLERANCES- UNLESS OTHERWISE SPECIFIED 公差参数表				TITLE: 2.00mm Pitch 产品名称: 90° Female Header	
X.X	±0.30	X.X°	±3°	APPD: 核准:	XIE
X.XX	±0.30	X.XX°	±2°	CHECK: 校对:	WANG
X.XXX	±0.10	X.XXX°	±1°	DRAW: 绘图:	WANG
PART NO: 产品编号:		HDGC2005HWR-XP-Y		DATE	2017-11-22
SCALE		5:1		UNIT	mm
CODE NUMBER		A008			

修订 REV	标记 MARK	修改摘要 REVISION DESCRIPTION	签名 SIGNATURE	日期 DATE
A0		NEW RELEASE	WANG	2017-11-22



P C B LAYOUT



**SPECIFICATIONS:**

Current Rating: 2A AC,DC  
Voltage Rating: 250V AC,DC  
Temperature Range: -25°C ~ +85°C  
Contact Resistance: 20mΩ Max  
Insulation Resistance: 1000MΩ Min  
Withstanding Voltage: 500V AC/minute  
Pin Material: Brass/Gold over Nickel  
Material: Nylon 6T,UL94V-0(Black)

**Ordering Information & Dimensions**

Circuits	Dim(mm)		Circuits	Dim(mm)		Circuits	Dim(mm)	
	A	B		A	B		A	B
2P	2,00	4,50	15P	28,00	30,50	28P	54,00	56,50
3P	4,00	6,50	16P	30,00	32,50	29P	56,00	58,50
4P	6,00	8,50	17P	32,00	34,50	30P	58,00	60,50
5P	8,00	10,50	18P	34,00	36,50	31P	60,00	62,50
6P	10,00	12,50	19P	36,00	38,50	32P	62,00	64,50
7P	12,00	14,50	20P	38,00	40,50	33P	64,00	66,50
8P	14,00	16,50	21P	40,00	42,50	34P	66,00	68,50
9P	16,00	18,50	22P	42,00	44,50	35P	68,00	70,50
10P	18,00	20,50	23P	44,00	46,50	36P	70,00	72,50
11P	20,00	22,50	24P	46,00	48,50	37P	72,00	74,50
12P	22,00	24,50	25P	48,00	50,50	38P	74,00	76,50
13P	24,00	26,50	26P	50,00	52,50	39P	76,00	78,50
14P	26,00	28,50	27P	52,00	54,50	40P	78,00	80,50

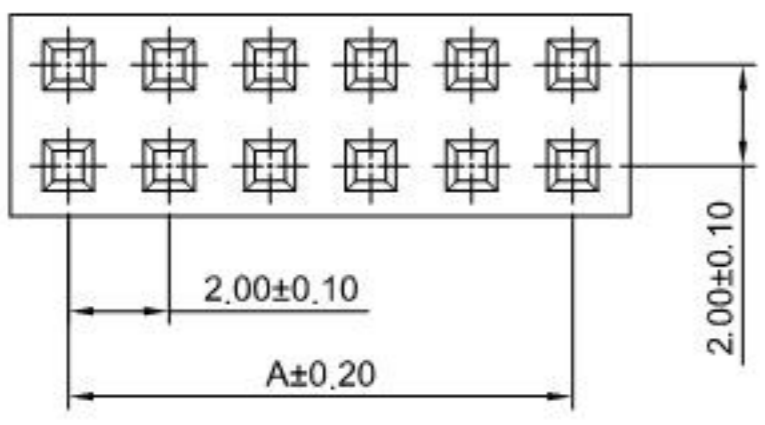


深圳市华德共创科技有限公司

Shenzhen Huade co-create Technology Co., LTD  
TEL: 0755-27129737 FAX: 0755-29940187

-TOLERANCES- UNLESS OTHERWISE SPECIFIED 公差参数表				TITLE: 产品名称: 2.00mm Pitch 90° Female Header	
X.X	±0.30	X.X°	±3°	APPD: 核准:	XIE
X.XX	±0.30	X.XX°	±2°	CHECK: 校对:	WANG
X.XXX	±0.10	X.XXX°	±1°	DRAW: 绘图:	WANG
PART NO: 产品编号: HDGC2005HWR-S-XP-Y		DATE	SCALE	UNIT	CODE NUMBER
		2017-11-22	5:1	mm	A008

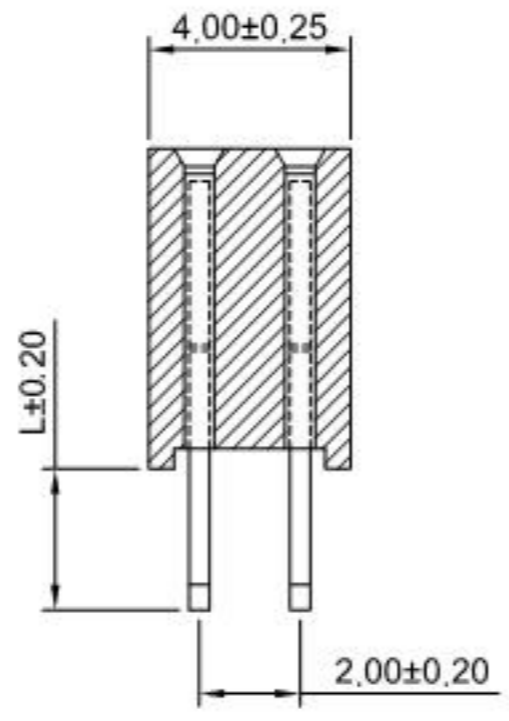
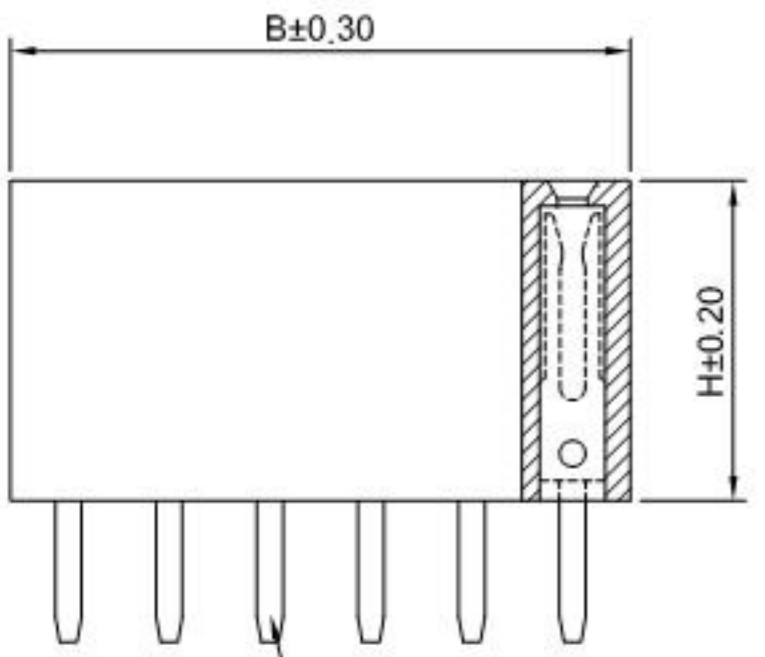
修订 REV	标记 MARK	修改摘要 REVISION DESCRIPTION	签名 SIGNATURE	日期 DATE
A0		NEW RELEASE	WANG	2017-11-22



Ordering Information:  
**HDGC2005HWV-2xXP-Y - <sup>\*\*\*</sup>/<sub>2</sub>**

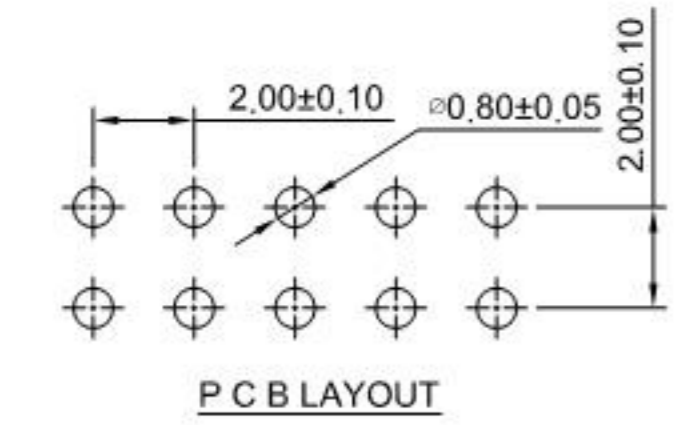
1. Part No.  
 2. Size(H):  
 (Blank): 6.35mm(L: 2.8mm)  
 H65: 6.50mm(L: 3.00mm)

**SPECIFICATIONS:**  
 Current Rating: 2A AC,DC  
 Voltage Rating: 250V AC,DC  
 Temperature Range: -25°C ~ +85°C  
 Contact Resistance: 20mΩ Max  
 Insulation Resistance: 1000MΩ Min  
 Withstanding Voltage: 500V AC/minute  
 Pin Material: Brass/Gold over Nickel  
 Material: Nylon 6T, UL94V-0(Black)



Ordering Information & Dimensions

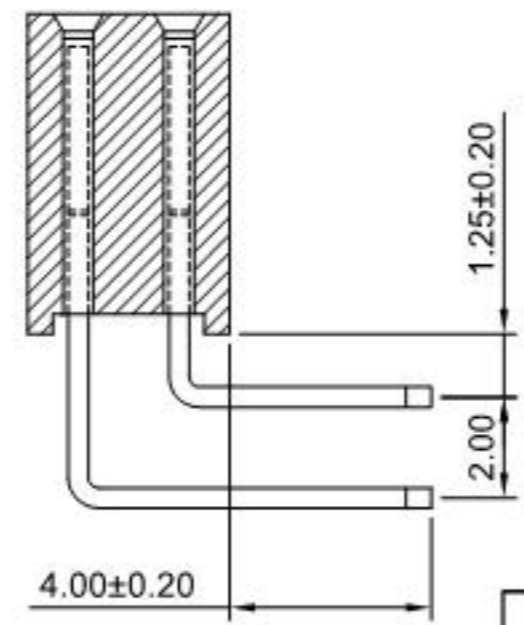
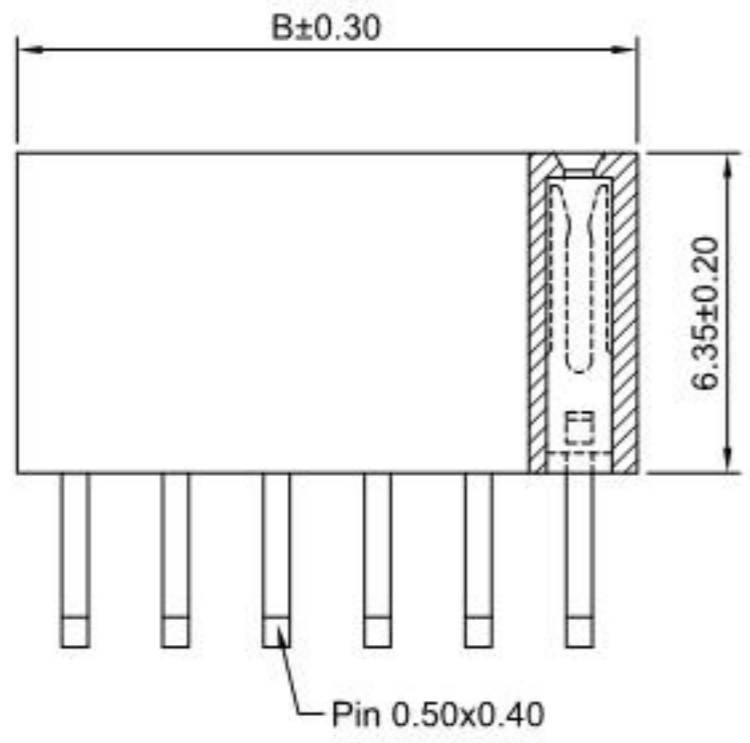
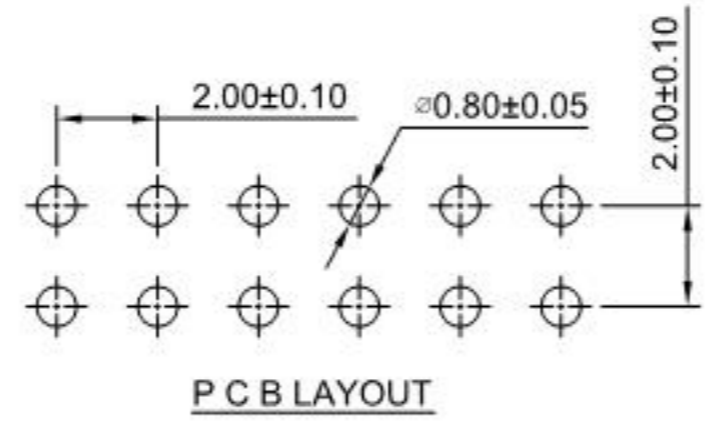
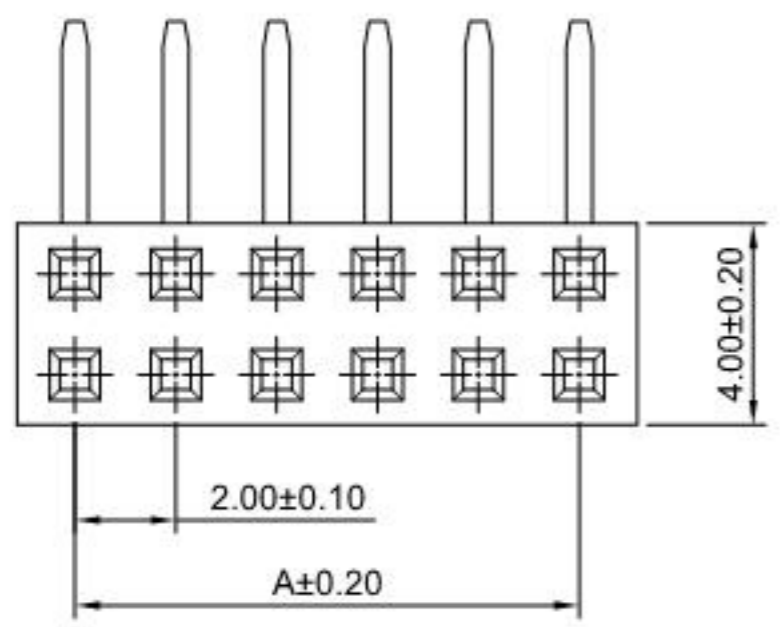
Circuits	Dim(mm)		Circuits	Dim(mm)		Circuits	Dim(mm)	
	A	B		A	B		A	B
2x2P	2.00	4.50	2x15P	28.00	50.50	2x28P	54.00	56.50
2x3P	4.00	6.50	2x16P	30.00	32.50	2x29P	56.00	58.50
2x4P	6.00	8.50	2x17P	32.00	34.50	2x30P	58.00	60.50
2x5P	8.00	10.50	2x18P	34.00	36.50	2x31P	60.00	62.50
2x6P	10.00	12.50	2x19P	36.00	38.50	2x32P	62.00	64.50
2x7P	12.00	14.50	2x20P	38.00	40.50	2x33P	64.00	66.50
2x8P	14.00	16.50	2x21P	40.00	42.50	2x34P	66.00	68.50
2x9P	16.00	18.50	2x22P	42.00	44.50	2x35P	68.00	70.50
2x10P	18.00	20.50	2x23P	44.00	46.50	2x36P	70.00	72.50
2x11P	20.00	22.50	2x24P	46.00	48.50	2x37P	72.00	74.50
2x12P	22.00	24.50	2x25P	48.00	50.50	2x38P	74.00	76.50
2x13P	24.00	26.50	2x26P	50.00	52.50	2x39P	76.00	78.50
2x14P	26.00	28.50	2x27P	52.00	54.50	2x40P	78.00	80.50



**深圳市华德共创科技有限公司**  
 Shenzhen Huade co-create Technology Co., LTD  
 TEL: 0755-27129737 FAX: 0755-29940187

-TOLERANCES- UNLESS OTHERWISE SPECIFIED 公差参数表			TITLE: 2.00mm Pitch 产品名称: 180° Female Header						
X.X	±0.30	X.X°	±3°	APPD: 核准:	XIE	PART NO: 产品编号:	HDGC2005HWV-2xXP-Y		
X.XX	±0.30	X.XX°	±2°	CHECK: 校对:	WANG	DATE	SCALE	UNIT	CODE NUMBER
X.XXX	±0.10	X.XXX°	±1°	DRAW: 绘图:	WANG	2017-11-22	5:1	mm	A008

修订 REV	标记 MARK	修改摘要 REVISION DESCRIPTION	签名 SIGNATURE	日期 DATE
A0		NEW RELEASE	WANG	2017-11-22



**SPECIFICATIONS:**

Current Rating: 3A AC,DC  
Voltage Rating: 250V AC,DC  
Temperature Range: -25°C ~ +85°C  
Contact Resistance: 20mΩ Max  
Insulation Resistance: 1000MΩ Min  
Withstanding Voltage: 1500V AC/minute  
Pin Material: Phosphor Bronze/Gold over Nickel  
Material: Nylon 6T,UL94V-0(Black)

**Ordering Information & Dimensions**

Circuits	Dim(mm)		Circuits	Dim(mm)		Circuits	Dim(mm)	
	A	B		A	B		A	B
2x2P	2.00	4.50	2x15P	28.00	50.50	2x28P	54.00	56.50
2x3P	4.00	6.50	2x16P	30.00	32.50	2x29P	56.00	58.50
2x4P	6.00	8.50	2x17P	32.00	34.50	2x30P	58.00	60.50
2x5P	8.00	10.50	2x18P	34.00	36.50	2x31P	60.00	62.50
2x6P	10.00	12.50	2x19P	36.00	38.50	2x32P	62.00	64.50
2x7P	12.00	14.50	2x20P	38.00	40.50	2x33P	64.00	66.50
2x8P	14.00	16.50	2x21P	40.00	42.50	2x34P	66.00	68.50
2x9P	16.00	18.50	2x22P	42.00	44.50	2x35P	68.00	70.50
2x10P	18.00	20.50	2x23P	44.00	46.50	2x36P	70.00	72.50
2x11P	20.00	22.50	2x24P	46.00	48.50	2x37P	72.00	74.50
2x12P	22.00	24.50	2x25P	48.00	50.50	2x38P	74.00	76.50
2x13P	24.00	26.50	2x26P	50.00	52.50	2x39P	76.00	78.50
2x14P	26.00	28.50	2x27P	52.00	54.50	2x40P	78.00	80.50

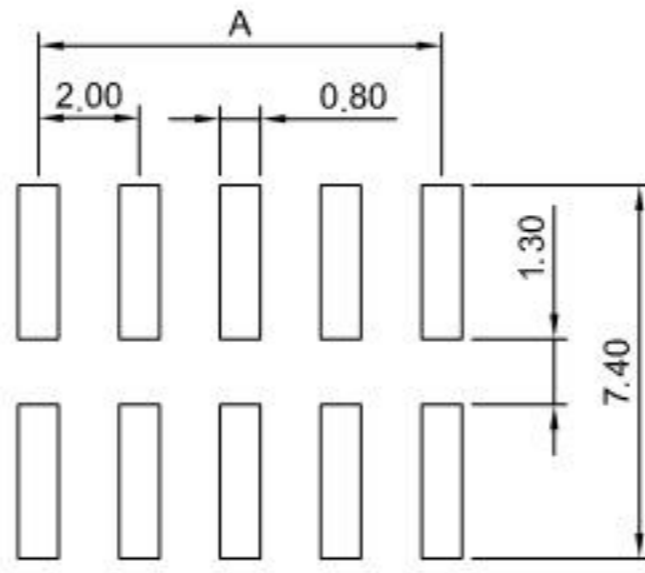
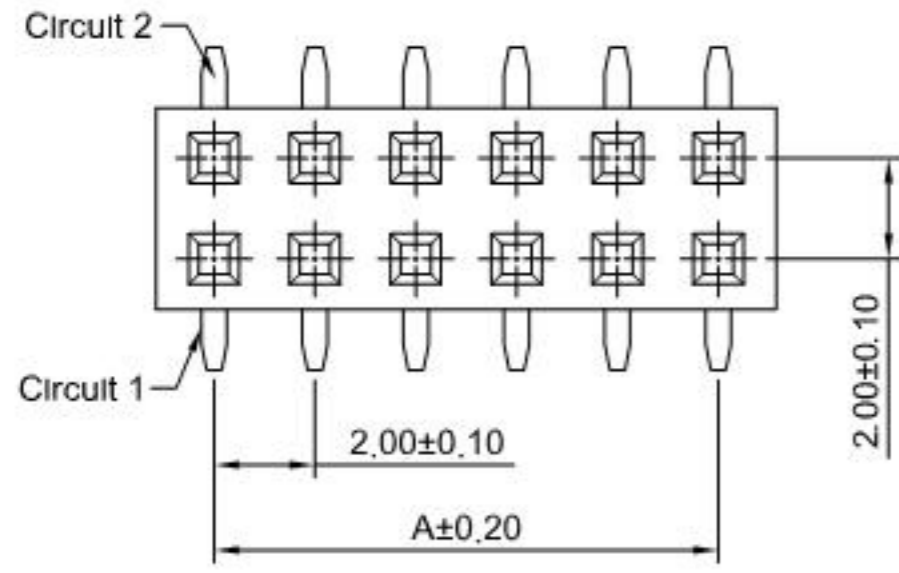


**深圳市华德共创科技有限公司**

Shenzhen Huade co-create Technology Co., LTD  
TEL: 0755-27129737 FAX: 0755-29940187

-TOLERANCES- UNLESS OTHERWISE SPECIFIED 公差参数表						TITLE: 2.00mm Pitch 产品名称: 90° Header			
X.X	±0.30	X.X°	±3°	APPD: 核准:	XIE	PART NO: 产品编号: HDGC2005HWR-2xXP-Y			
X.XX	±0.30	X.XX°	±2°	CHECK: 校对:	WANG	DATE	SCALE	UNIT	CODE NUMBER
X.XXX	±0.10	X.XXX°	±1°	DRAW: 绘图:	WANG	2017-11-22	5:1	mm	A008

修订 REV	标记 MARK	修改摘要 REVISION DESCRIPTION	签名 SIGNATURE	日期 DATE
A0		NEW RELEASE	WANG	2017-11-22

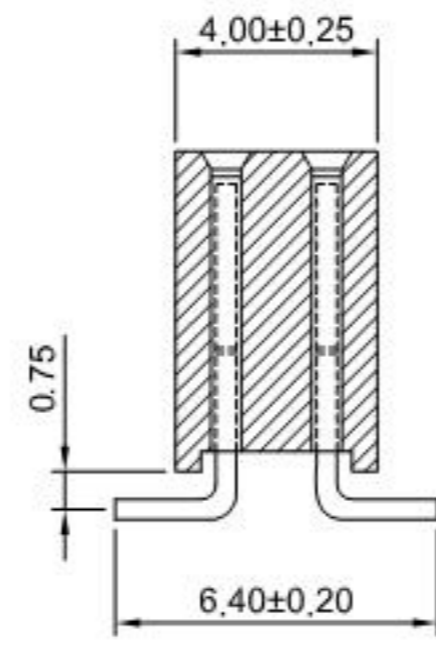
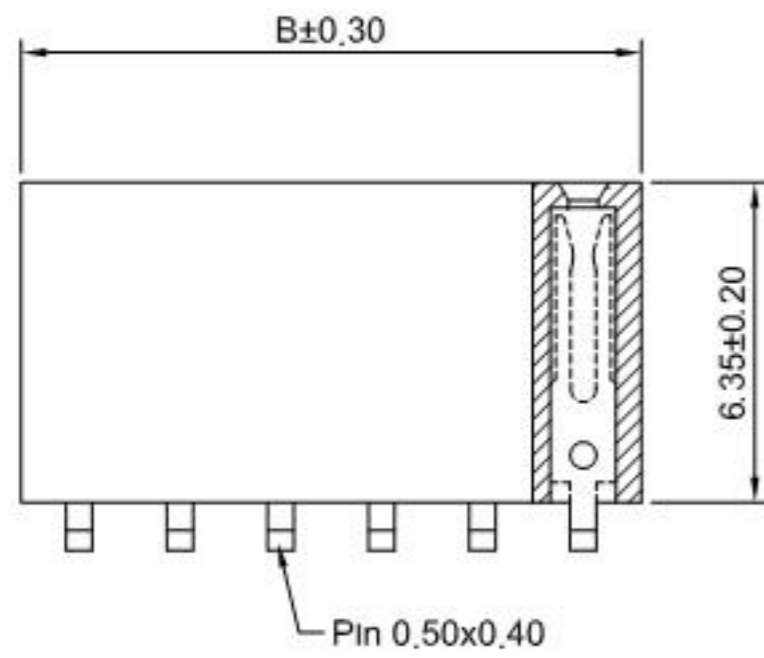


PCB LAYOUT

**SPECIFICATIONS:**  
 Current Rating: 2A AC,DC  
 Voltage Rating: 250V AC,DC  
 Temperature Range: -25°C ~ +85°C  
 Contact Resistance: 20mΩ Max  
 Insulation Resistance: 1000MΩ Min  
 Withstanding Voltage: 500V AC/minute  
 Pin Material: Brass/Gold over Nickel  
 Material: Nylon 6T,UL94V-0(Black)

Ordering Information & Dimensions

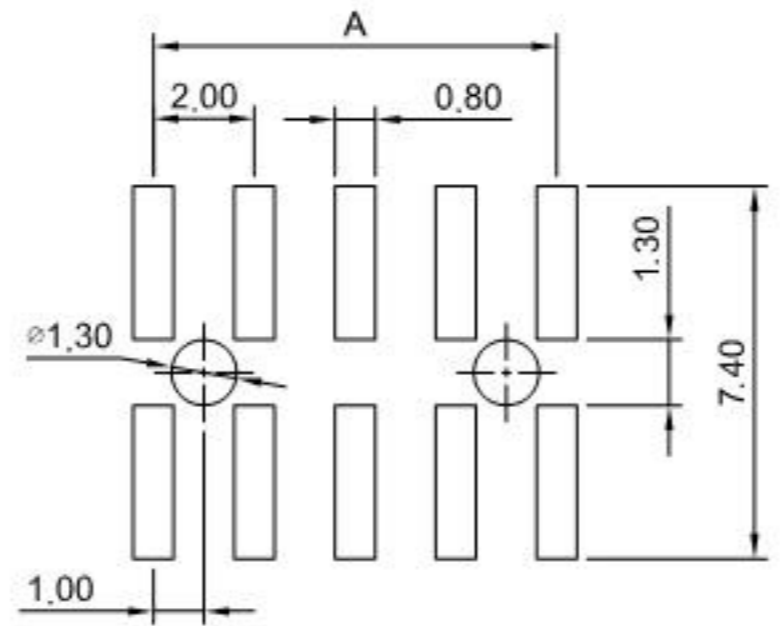
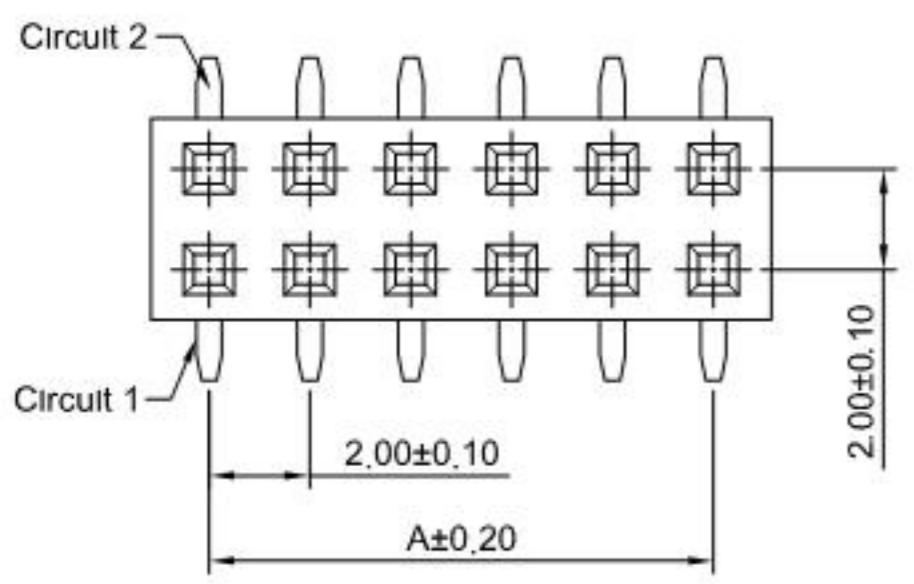
Circuits	Dim(mm)		Circuits	Dim(mm)		Circuits	Dim(mm)	
	A	B		A	B		A	B
2x2P	2.00	4.50	2x15P	28.00	50.50	2x28P	54.00	56.50
2x3P	4.00	6.50	2x16P	30.00	32.50	2x29P	56.00	58.50
2x4P	6.00	8.50	2x17P	32.00	34.50	2x30P	58.00	60.50
2x5P	8.00	10.50	2x18P	34.00	36.50	2x31P	60.00	62.50
2x6P	10.00	12.50	2x19P	36.00	38.50	2x32P	62.00	64.50
2x7P	12.00	14.50	2x20P	38.00	40.50	2x33P	64.00	66.50
2x8P	14.00	16.50	2x21P	40.00	42.50	2x34P	66.00	68.50
2x9P	16.00	18.50	2x22P	42.00	44.50	2x35P	68.00	70.50
2x10P	18.00	20.50	2x23P	44.00	46.50	2x36P	70.00	72.50
2x11P	20.00	22.50	2x24P	46.00	48.50	2x37P	72.00	74.50
2x12P	22.00	24.50	2x25P	48.00	50.50	2x38P	74.00	76.50
2x13P	24.00	26.50	2x26P	50.00	52.50	2x39P	76.00	78.50
2x14P	26.00	28.50	2x27P	52.00	54.50	2x40P	78.00	80.50



**HDGC** 深圳市华德共创科技有限公司  
 Shenzhen Huade co-create Technology Co., LTD  
 TEL: 0755-27129737 FAX: 0755-29940187

-TOLERANCES- UNLESS OTHERWISE SPECIFIED 公差参数表				TITLE: 2.00mm Pitch 产品名称: 180° Female Header	
X.X	±0.30	X.X°	±3°	APPD: 核准:	XIE
X.XX	±0.30	X.XX°	±2°	CHECK: 校对:	WANG
X.XXX	±0.10	X.XXX°	±1°	DRAW: 绘图:	WANG
PART NO: 产品编号:		HDGC2005HWV-S-2xXP-Y		DATE	2017-11-22
SCALE		5:1	UNIT	mm	CODE NUMBER
A008					

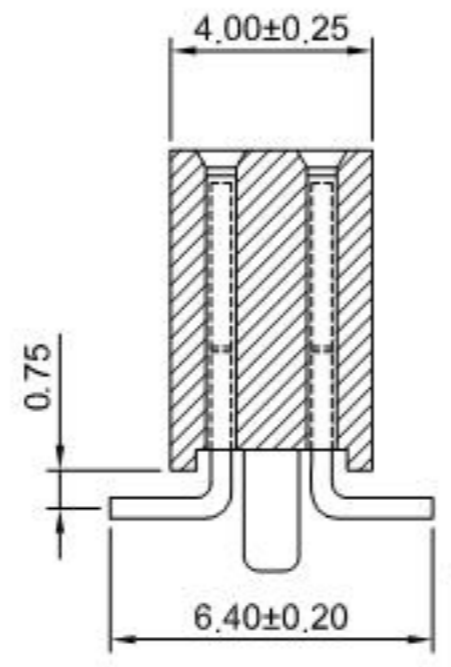
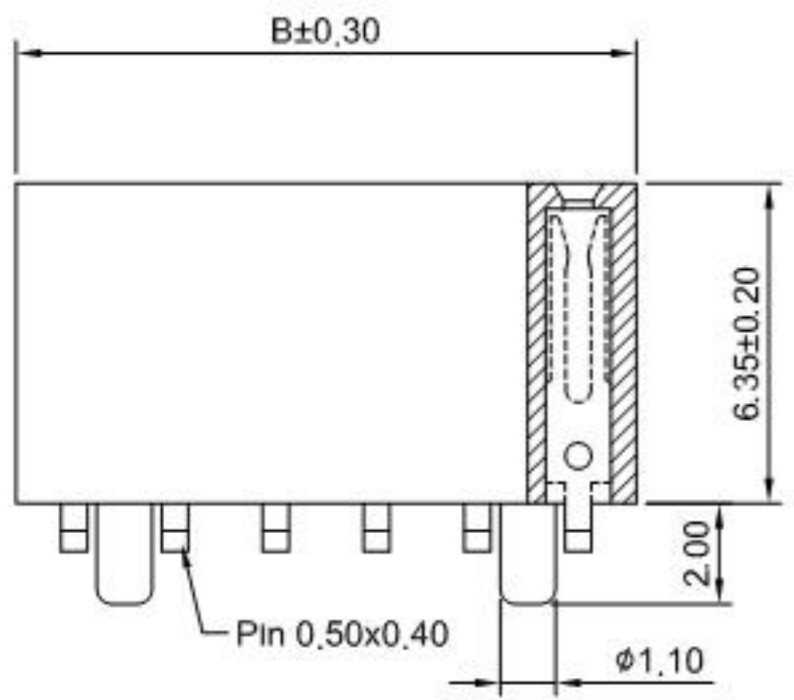
修订 REV	标记 MARK	修改摘要 REVISION DESCRIPTION	签名 SIGNATURE	日期 DATE
A0		NEW RELEASE	WANG	2017-11-22



**SPECIFICATIONS:**  
 Current Rating: 2A AC,DC  
 Voltage Rating: 250V AC,DC  
 Temperature Range: -25°C ~ +85°C  
 Contact Resistance: 20mΩ Max  
 Insulation Resistance: 1000MΩ Min  
 Withstanding Voltage: 500V AC/minute  
 Pin Material: Brass/Gold over Nickel  
 Material: Nylon 6T,UL94V-0(Black)

**Ordering Information & Dimensions**

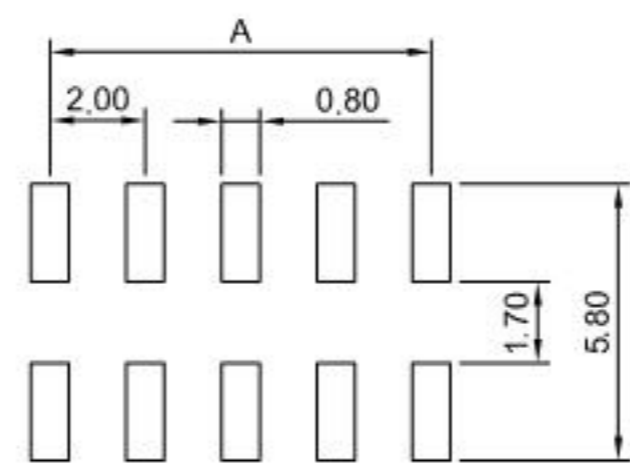
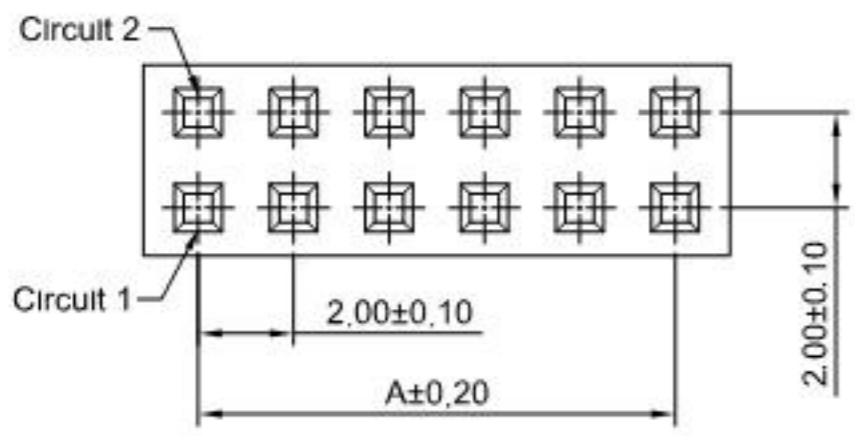
Circuits	Dim(mm)		Circuits	Dim(mm)		Circuits	Dim(mm)	
	A	B		A	B		A	B
2x2P	2,00	4,50	2x15P	28,00	50,50	2x28P	54,00	56,50
2x3P	4,00	6,50	2x16P	30,00	32,50	2x29P	56,00	58,50
2x4P	6,00	8,50	2x17P	32,00	34,50	2x30P	58,00	60,50
2x5P	8,00	10,50	2x18P	34,00	36,50	2x31P	60,00	62,50
2x6P	10,00	12,50	2x19P	36,00	38,50	2x32P	62,00	64,50
2x7P	12,00	14,50	2x20P	38,00	40,50	2x33P	64,00	66,50
2x8P	14,00	16,50	2x21P	40,00	42,50	2x34P	66,00	68,50
2x9P	16,00	18,50	2x22P	42,00	44,50	2x35P	68,00	70,50
2x10P	18,00	20,50	2x23P	44,00	46,50	2x36P	70,00	72,50
2x11P	20,00	22,50	2x24P	46,00	48,50	2x37P	72,00	74,50
2x12P	22,00	24,50	2x25P	48,00	50,50	2x38P	74,00	76,50
2x13P	24,00	26,50	2x26P	50,00	52,50	2x39P	76,00	78,50
2x14P	26,00	28,50	2x27P	52,00	54,50	2x40P	78,00	80,50



**HDGC** 深圳市华德共创科技有限公司  
 Shenzhen Huade co-create Technology Co., LTD  
 TEL: 0755-27129737 FAX: 0755-29940187

-TOLERANCES- UNLESS OTHERWISE SPECIFIED 公差参数表				TITLE: 2.00mm Pitch 产品名称: 180° Female Header	
X.X	±0.30	X.X°	±3°	APPD: 核准:	XIE
X.XX	±0.30	X.XX°	±2°	CHECK: 校对:	WANG
X.XXX	±0.10	X.XXX°	±1°	DRAW: 绘图:	WANG
PART NO: 产品编号:		DATE		SCALE	UNIT
HDGC2005HWV-S-F-2xXP-Y		2017-11-22		5:1	mm
				CODE NUMBER	A008

修订 REV	标记 MARK	修改摘要 REVISION DESCRIPTION	签名 SIGNATURE	日期 DATE
A0		NEW RELEASE	WANG	2017-11-22

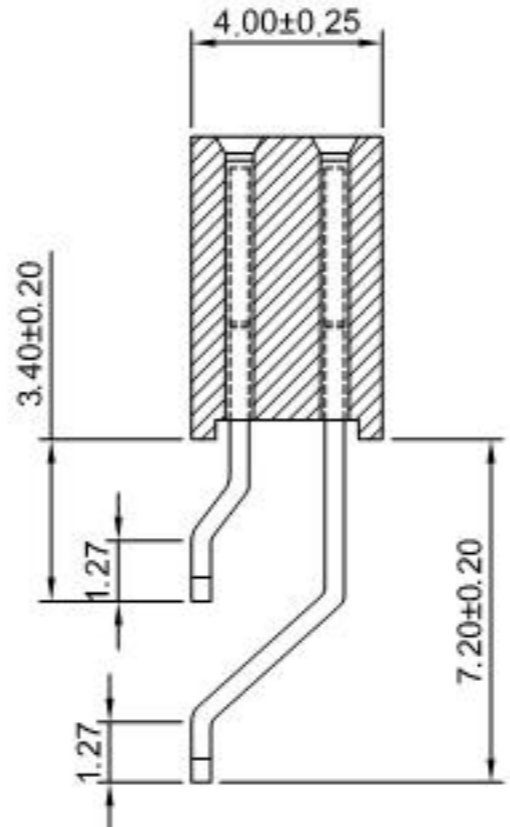
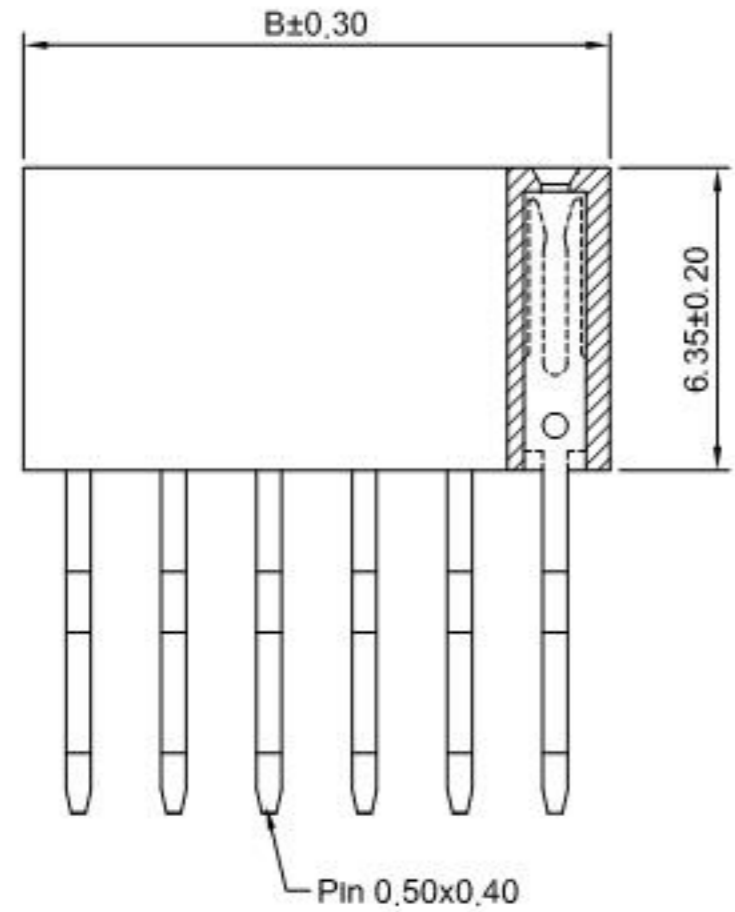


PCB LAYOUT

**SPECIFICATIONS:**  
 Current Rating: 2A AC,DC  
 Voltage Rating: 250V AC,DC  
 Temperature Range: -25°C ~ +85°C  
 Contact Resistance: 20mΩ Max  
 Insulation Resistance: 1000MΩ Min  
 Withstanding Voltage: 500V AC/minute  
 Pin Material: Brass/Gold over Nickel  
 Material: Nylon 6T,UL94V-0(Black)

Ordering Information & Dimensions

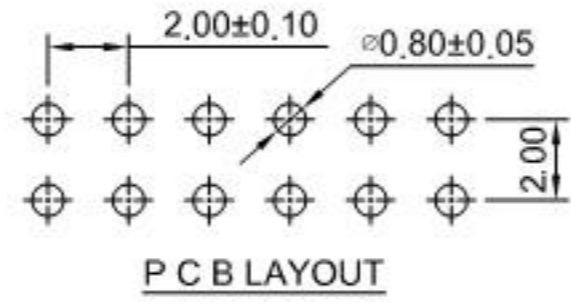
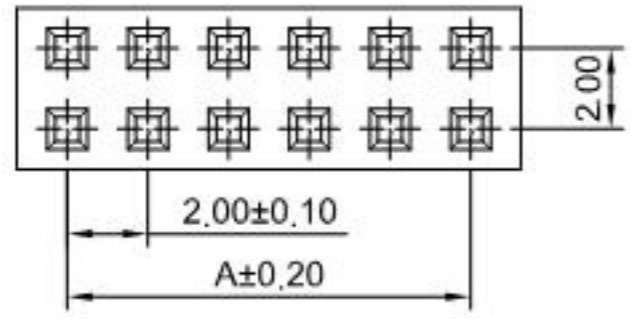
Circuits	Dim(mm)		Circuits	Dim(mm)		Circuits	Dim(mm)	
	A	B		A	B		A	B
2x2P	2.00	4.50	2x15P	28.00	50.50	2x28P	54.00	56.50
2x3P	4.00	6.50	2x16P	30.00	32.50	2x29P	56.00	58.50
2x4P	6.00	8.50	2x17P	32.00	34.50	2x30P	58.00	60.50
2x5P	8.00	10.50	2x18P	34.00	36.50	2x31P	60.00	62.50
2x6P	10.00	12.50	2x19P	36.00	38.50	2x32P	62.00	64.50
2x7P	12.00	14.50	2x20P	38.00	40.50	2x33P	64.00	66.50
2x8P	14.00	16.50	2x21P	40.00	42.50	2x34P	66.00	68.50
2x9P	16.00	18.50	2x22P	42.00	44.50	2x35P	68.00	70.50
2x10P	18.00	20.50	2x23P	44.00	46.50	2x36P	70.00	72.50
2x11P	20.00	22.50	2x24P	46.00	48.50	2x37P	72.00	74.50
2x12P	22.00	24.50	2x25P	48.00	50.50	2x38P	74.00	76.50
2x13P	24.00	26.50	2x26P	50.00	52.50	2x39P	76.00	78.50
2x14P	26.00	28.50	2x27P	52.00	54.50	2x40P	78.00	80.50



**HDGC** 深圳市华德共创科技有限公司  
 Shenzhen Huade co-create Technology Co., LTD  
 TEL: 0755-27129737 FAX: 0755-29940187

-TOLERANCES- UNLESS OTHERWISE SPECIFIED 公差参数表				TITLE: 2.00mm Pitch 产品名称: 90° Female Header	
X.X	±0.30	X.X°	±3°	APPD: 核准:	XIE
X.XX	±0.30	X.XX°	±2°	CHECK: 校对:	WANG
X.XXX	±0.10	X.XXX°	±1°	DRAW: 绘图:	WANG
PART NO: 产品编号:		HDGC2005HWR-S-2xXP-Y		DATE	2017-11-22
SCALE		5:1		UNIT	mm
CODE NUMBER		A008			

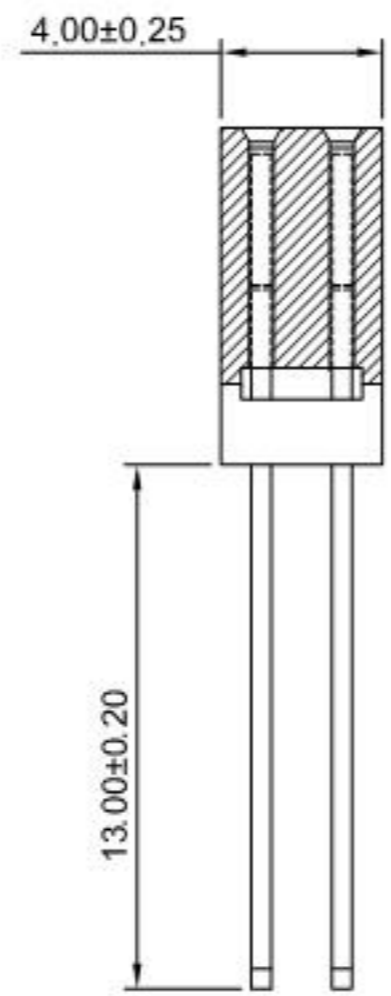
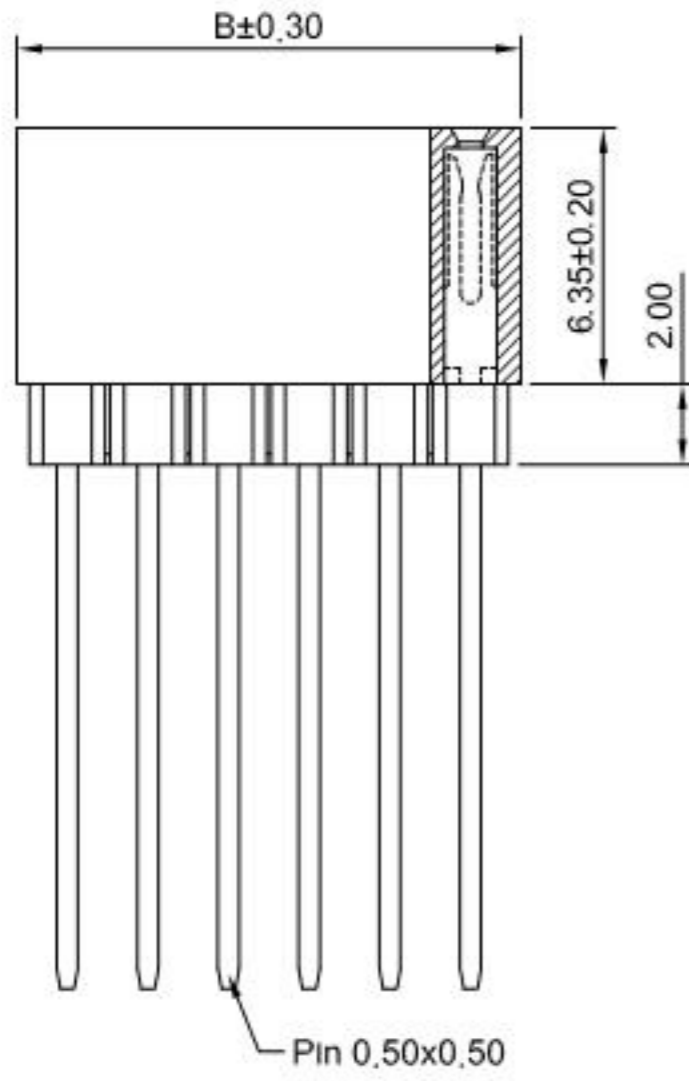
修订 REV	标记 MARK	修改摘要 REVISION DESCRIPTION	签名 SIGNATURE	日期 DATE
A0		NEW RELEASE	WANG	2017-11-22



**SPECIFICATIONS:**  
 Current Rating: 2A AC,DC  
 Voltage Rating: 250V AC,DC  
 Temperature Range: -25°C ~ +85°C  
 Contact Resistance: 20mΩ Max  
 Insulation Resistance: 1000MΩ Min  
 Withstanding Voltage: 500V AC/minute  
 Pin Material: Brass/Gold over Nickel  
 Material: Nylon 6T,UL94V-0(Black)

**Ordering Information & Dimensions**

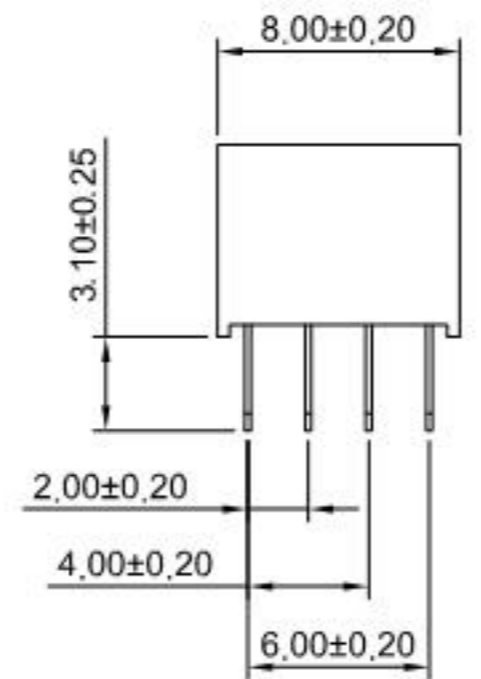
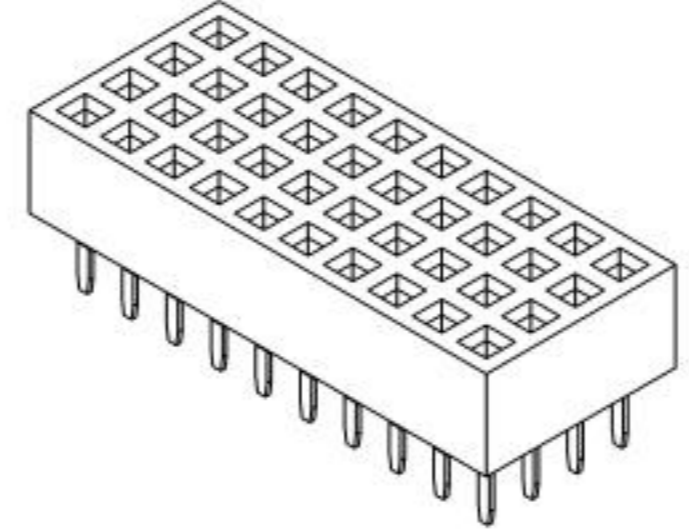
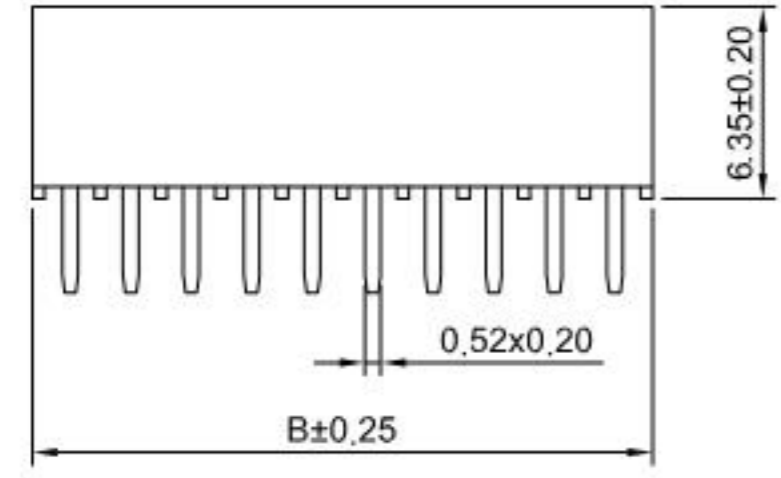
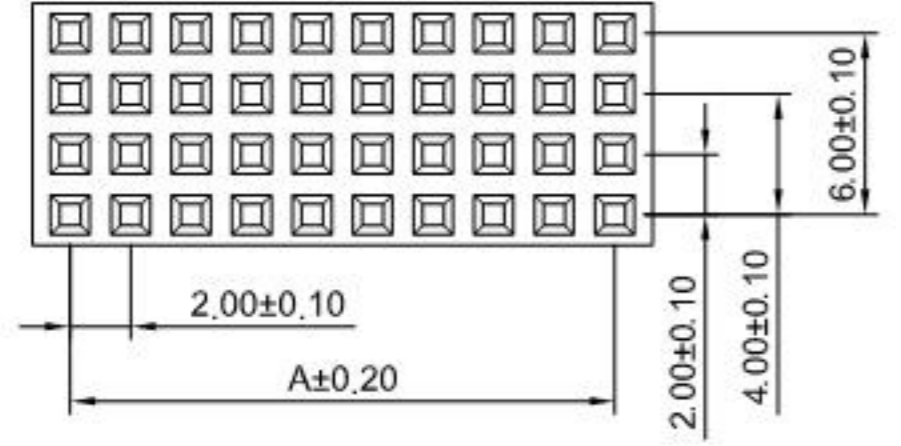
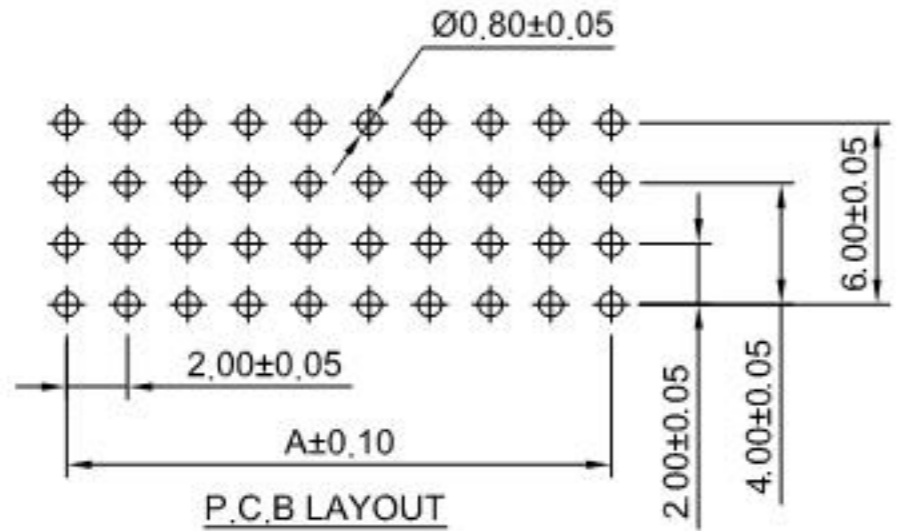
Circuits	Dim(mm)		Circuits	Dim(mm)		Circuits	Dim(mm)	
	A	B		A	B		A	B
2x2P	2.00	4.50	2x15P	28.00	50.50	2x28P	54.00	56.50
2x3P	4.00	6.50	2x16P	30.00	32.50	2x29P	56.00	58.50
2x4P	6.00	8.50	2x17P	32.00	34.50	2x30P	58.00	60.50
2x5P	8.00	10.50	2x18P	34.00	36.50	2x31P	60.00	62.50
2x6P	10.00	12.50	2x19P	36.00	38.50	2x32P	62.00	64.50
2x7P	12.00	14.50	2x20P	38.00	40.50	2x33P	64.00	66.50
2x8P	14.00	16.50	2x21P	40.00	42.50	2x34P	66.00	68.50
2x9P	16.00	18.50	2x22P	42.00	44.50	2x35P	68.00	70.50
2x10P	18.00	20.50	2x23P	44.00	46.50	2x36P	70.00	72.50
2x11P	20.00	22.50	2x24P	46.00	48.50	2x37P	72.00	74.50
2x12P	22.00	24.50	2x25P	48.00	50.50	2x38P	74.00	76.50
2x13P	24.00	26.50	2x26P	50.00	52.50	2x39P	76.00	78.50
2x14P	26.00	28.50	2x27P	52.00	54.50	2x40P	78.00	80.50



**深圳市华德共创科技有限公司**  
 Shenzhen Huade co-create Technology Co., LTD  
 TEL: 0755-27129737 FAX: 0755-29940187

-TOLERANCES- UNLESS OTHERWISE SPECIFIED 公差参数表			TITLE: 2.00mm Pitch 产品名称: 180° Female Header						
X.X	±0.30	X.X°	±3°	APPD: 核准:	XIE	PART NO: 产品编号: HDGC2005HWV-2xXP-H-Y			
X.XX	±0.30	X.XX°	±2°	CHECK: 校对:	WANG	DATE	SCALE	UNIT	CODE NUMBER
X.XXX	±0.10	X.XXX°	±1°	DRAW: 绘图:	WANG	2017-11-22	4:1	mm	A008

修订 REV	标记 MARK	修改摘要 REVISION DESCRIPTION	签名 SIGNATURE	日期 DATE
A0		NEW RELEASE	WANG	2017-11-22



**SPECIFICATIONS:**

Current Rating: 2A AC,DC  
Voltage Rating: 250V AC,DC  
Temperature Range: -25°C ~ +85°C  
Contact Resistance: 20mΩ Max  
Insulation Resistance: 1000MΩ Min  
Withstanding Voltage: 500V AC/minute  
Pin Material: Phosphor Bronze/Gold over Nickel  
Material: Nylon 6T, UL94V-0(Black)

**Ordering Information & Dimensions**

Circuits	Dim(mm)		Circuits	Dim(mm)		Circuits	Dim(mm)	
	A	B		A	B		A	B
4x2P	2.00	4.30	4x15P	28.00	30.30	4x28P	54.00	56.30
4x3P	4.00	6.30	4x16P	30.00	32.30	4x29P	56.00	58.30
4x4P	6.00	8.30	4x17P	32.00	34.30	4x30P	58.00	60.30
4x5P	8.00	10.30	4x18P	34.00	36.30	4x31P	60.00	62.30
4x6P	10.00	12.30	4x19P	36.00	38.30	4x32P	62.00	64.30
4x7P	12.00	14.30	4x20P	38.00	40.30	4x33P	64.00	66.30
4x8P	14.00	16.30	4x21P	40.00	42.30	4x34P	66.00	68.30
4x9P	16.00	18.30	4x22P	42.00	44.30	4x35P	68.00	70.30
4x10P	18.00	20.30	4x23P	44.00	46.30	4x36P	70.00	72.30
4x11P	20.00	22.30	4x24P	46.00	48.30	4x37P	72.00	74.30
4x12P	22.00	24.30	4x25P	48.00	50.30	4x38P	74.00	76.30
4x13P	24.00	26.30	4x26P	50.00	52.30	4x39P	76.00	78.30
4x14P	26.00	28.30	4x27P	52.00	54.30	4x40P	78.00	80.30



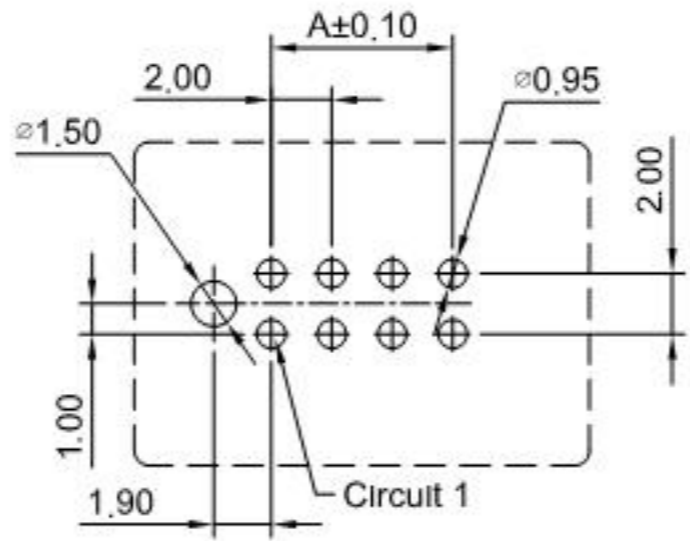
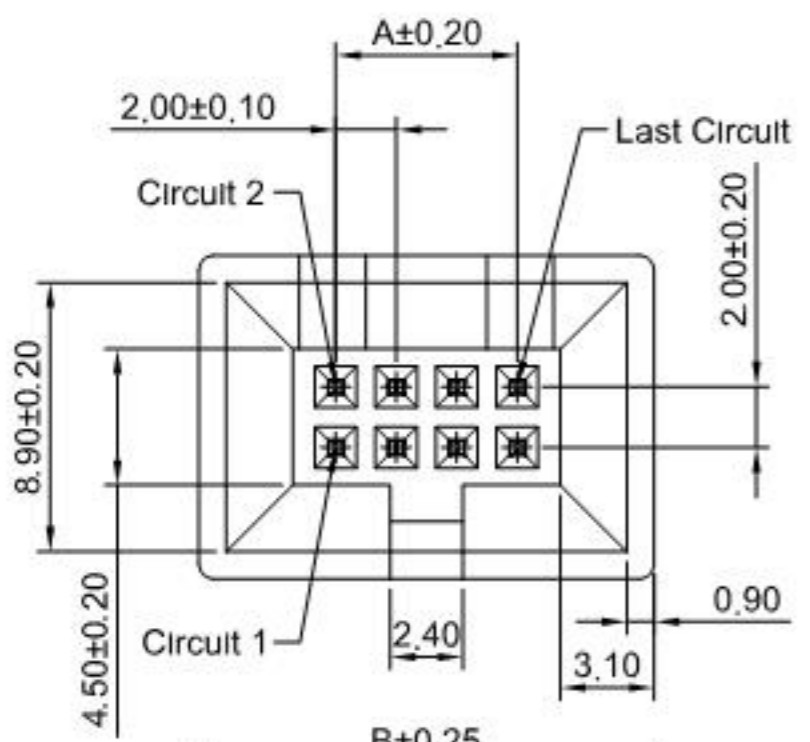
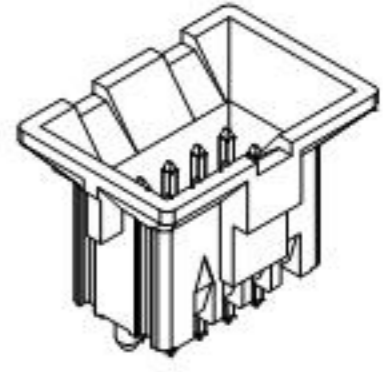
**深圳市华德共创科技有限公司**  
Shenzhen Huade co-create Technology Co., LTD  
TEL: 0755-27129737 FAX: 0755-29940187

-TOLERANCES- UNLESS OTHERWISE SPECIFIED 公差参数表				TITLE: 2.00mm Pitch 产品名称: 180° Female Header	
X.X	±0.30	X.X°	±3°	APPD: 核准:	XIE
X.XX	±0.30	X.XX°	±2°	CHECK: 校对:	WANG
X.XXX	±0.10	X.XXX°	±1°	DRAW: 绘图:	WANG
PART NO: 产品编号:		HDGC2005HWV-4xXP		DATE	2017-11-22
SCALE		3:1		UNIT	mm
CODE NUMBER		A008			

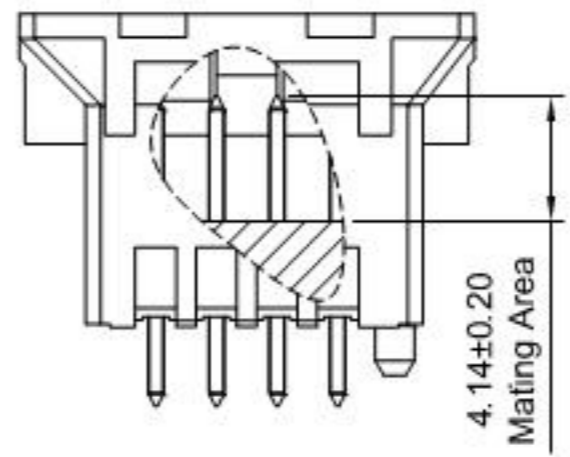
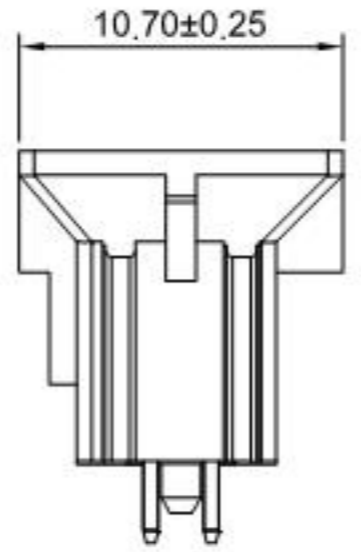
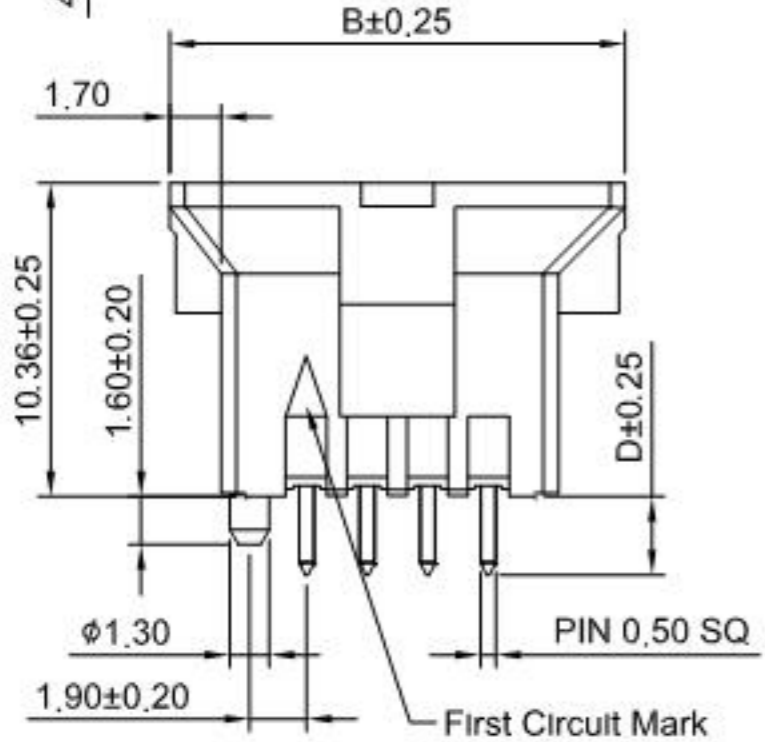
修订 REV	标记 MARK	修改摘要 REVISION DESCRIPTION	签名 SIGNATURE	日期 DATE
A0		NEW RELEASE	WANG	2020-07-12

Ordering Information:  
 HDGC2005WVD-F-XP - ?? - ??  
 1 2 3

- 1, Part NO.  
 2, Size(D):  
 (blank): 2.60mm  
 D40: 4.00mm  
 D30: 3.00mm  
 D45: 4.50mm  
 D21: 2.10mm  
 3, Finish:  
 (blank): Gold over Nickel (Au:1u")  
 G3: Gold over Nickel (Au:3u")  
 G15: Gold over Nickel (Au:15u", Mating Area)  
 G30: Gold over Nickel (Au:30u", Mating Area)



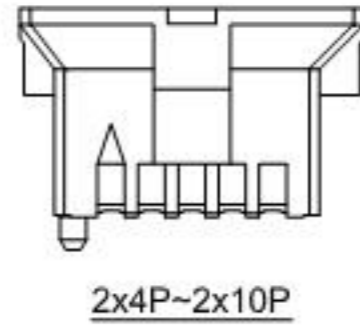
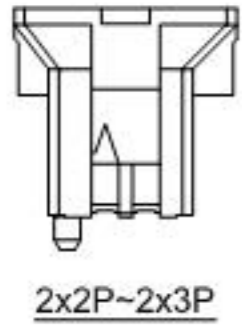
P.C.B LAYOUT  
 TOLERANCE: ±0.05



SPECIFICATIONS:  
 Current Rating: 3A AC,DC  
 Voltage Rating: 250V AC,DC  
 Temperature Range: -40°C ~ +105°C  
 Contact Resistance: 20mΩ Max.  
 Insulation Resistance: 1000MΩ Min.  
 Withstanding Voltage: 500V AC/minute  
 Pin Material: Phosphor Bronze/Gold over Nickel  
 Housing Material: LCP, UL94V-0(Black)

Ordering Information & Dimensions

Part NO.	Dimensions(mm)	
	A	B
HDGC2005WVD-F-2x2P	2.00	11.05
HDGC2005WVD-F-2x3P	4.00	13.05
HDGC2005WVD-F-2x4P	6.00	15.05
HDGC2005WVD-F-2x5P	8.00	17.05
HDGC2005WVD-F-2x6P	10.00	19.05
HDGC2005WVD-F-2x7P	12.00	21.05
HDGC2005WVD-F-2x8P	14.00	23.05
HDGC2005WVD-F-2x9P	16.00	25.05
HDGC2005WVD-F-2x10P	18.00	27.05



**HDGC** 深圳市华德共创科技有限公司  
 Shenzhen Huade co-create Technology Co., LTD  
 TEL: 0755-27129737 FAX: 0755-29940187

-TOLERANCES- UNLESS OTHERWISE SPECIFIED 公差参数表				TITLE: 2.00mm Pitch 产品名称: DIP Wafer	
X.X	±0.30	X.X°	±3°	APPD: 核准:	XIE
X.XX	±0.30	X.XX°	±2°	CHECK: 校对:	WANG
X.XXX	±0.10	X.XXX°	±1°	DRAW: 绘图:	WANG
PART NO: 产品编号: HDGC2005WVD-F-2xXP		DATE	SCALE	UNIT	CODE NUMBER
		2020-07-12	4:1	mm	A008