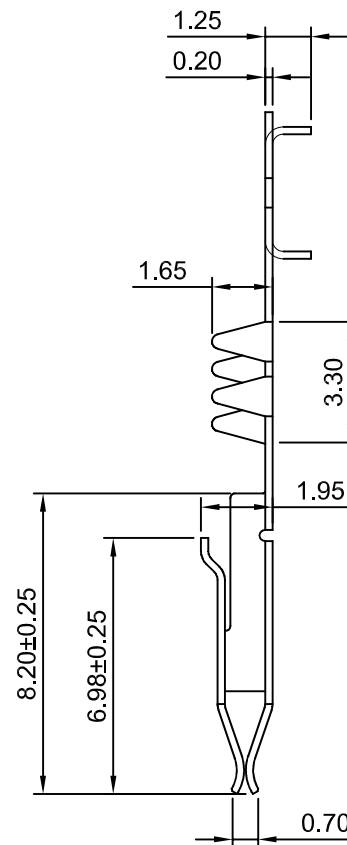
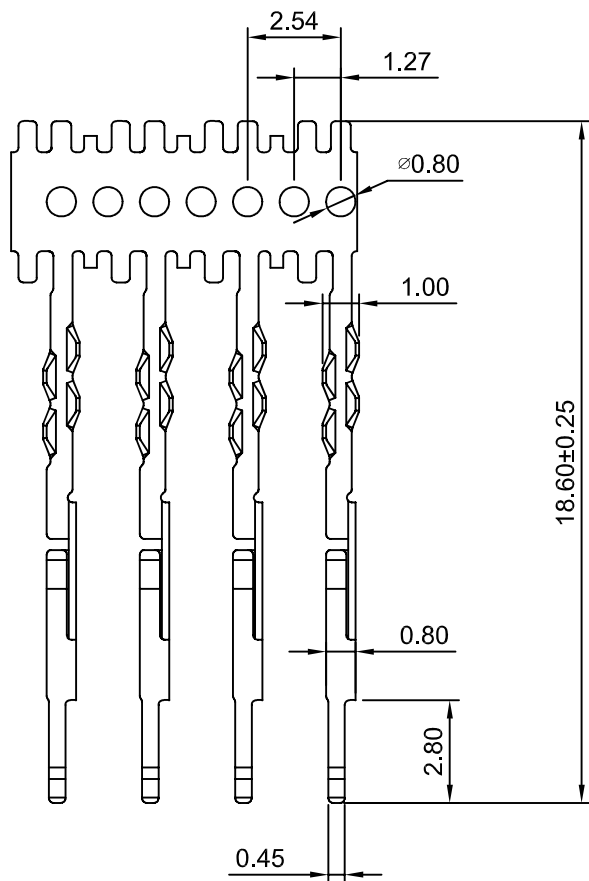


修订 REV	标记 MARK	修改摘要 REVISION DESCRIPTION	签名 SIGNATURE	日期 DATE
AO		NEW RELEASE	WANG	2017-03-25



Ordering information & Specifications

Unit:mm

Part No	Wire Range	Insultion O.D.	Material	Finish	Qty/reel
HDGC1275-GP	FFC	—	Phosphor Bronze	Gold over Nickel	20,000 PCS



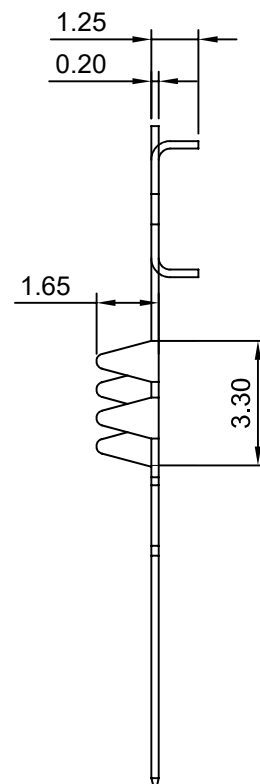
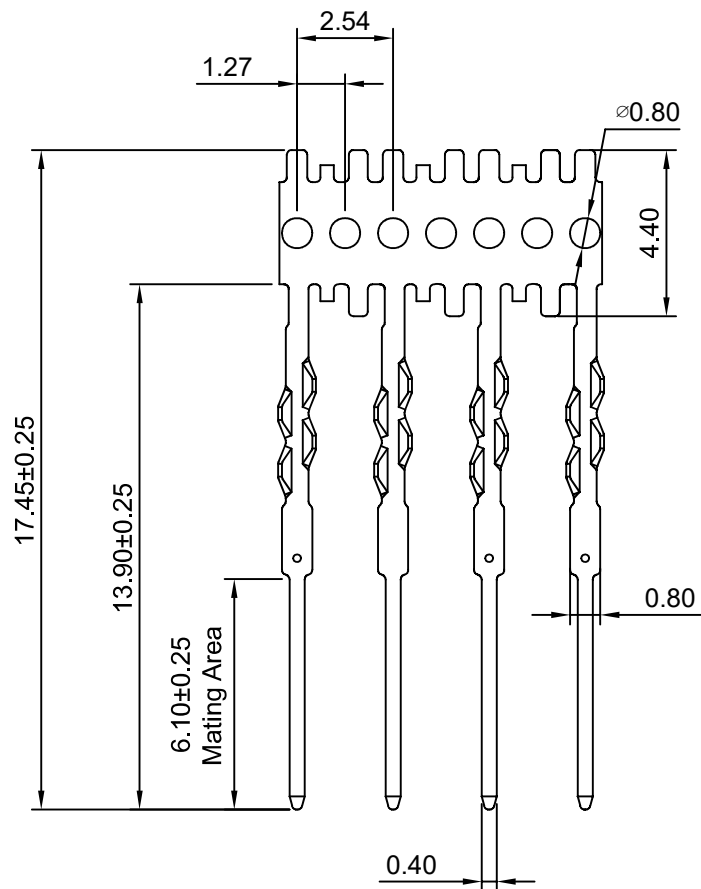
深圳市华德共创科技有限公司

Shenzhen Huade co-create Technology Co.,LTD

TEL : 0755-27129737 FAX : 0755-29940187

-TOLERANCES- UNLESS OTHERWISE SPECIFIED 公差参数表						TITLE: 1.25mm Pitch 产品名称: Crimp Terminal			
X.X	±0.30	X.X°	±3°	APPD: 核准:	XIE	PART NO: 产品编号: HDGC1275-T			
X.XX	±0.30	X.XX°	±2°	CHECK: 校对:	WANG	DATE	SCALE	UNIT	CODE NUMBER
X.XXX	±0.10	X.XXX°	±1°	DRAW: 绘图:	WANG	2017-03-25	5:1	mm	A008

修订 REV	标记 MARK	修改摘要 REVISION DESCRIPTION	签名 SIGNATURE	日期 DATE
AO		NEW RELEASE	WANG	2017-03-25



Ordering Information:
HDGC1275M-GP - ***
1 2

1.Part No.
2.Finish

- TG :Mating Area : 100µin (2.54µm) MIN. Tin
Crimp Area: 1µin (0.025µm) MIN. Gold
- GT15 :Mating Area : 15µin (0.38µm) MIN. Gold
Crimp Area: 100µin (2.54µm) MIN. Tin
- GT30 :Mating Area : 30µin (0.76µm) MIN. Gold
Crimp Area: 100µin (2.54µm) MIN. Tin
- GT50 :Mating Area : 50µin (1.27µm) MIN. Gold
Crimp Area: 100µin (2.54µm) MIN. Tin
- GG15 :Mating Area : 15µin (0.38µm) MIN. Gold
Crimp Area: 1µin (0.025µm) MIN. Gold
- GG30 :Mating Area : 30µin (0.76µm) MIN. Gold
Crimp Area: 1µin (0.025µm) MIN. Gold
- GG50 :Mating Area : 50µin (1.27µm) MIN. Gold
Crimp Area: 1µin (0.025µm) MIN. Gold

Ordering information & Specifications

Unit:mm

Part No	Wire Range	Insultion O.D.	Material	Finish	Qty/reel
HDGC1275M-TP	FFC	---	Phosphor Bronze	Tin over Nickel	15,000 PCS
HDGC1275M-GP	FFC	---	Phosphor Bronze	Gold over Nickel	15,000 PCS



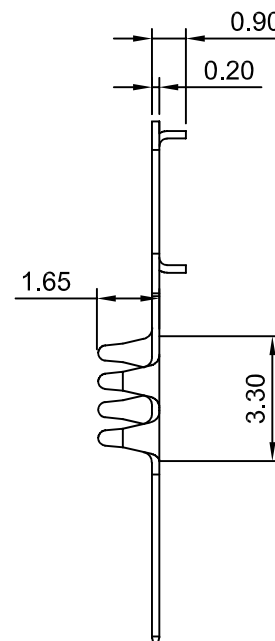
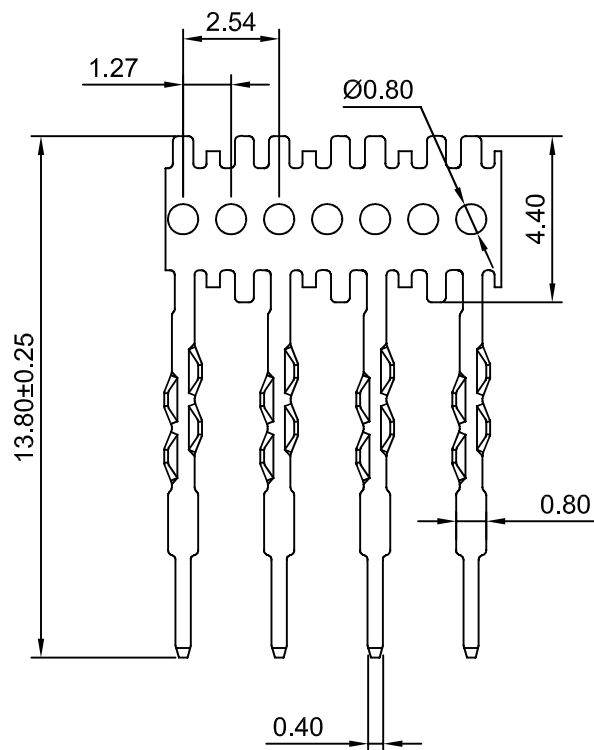
深圳市华德共创科技有限公司

Shenzhen Huade co-create Technology Co.,LTD

TEL : 0755-27129737 FAX : 0755-29940187

-TOLERANCES- UNLESS OTHERWISE SPECIFIED 公差参数表				TITLE: 1.25mm Pitch 产品名称: Crimp Terminal	
X.X	±0.30	X.X°	±3°	APPD: 核准: XIE	PART NO: 产品编号: HDGC1275M-T
X.XX	±0.30	X.XX°	±2°	CHECK: 校对: WANG	DATE
X.XXX	±0.10	X.XXX°	±1°	DRAW: 绘图: WANG	SCALE
					UNIT
					CODE NUMBER
				2017-03-25	A008
				5:1	
				mm	

修订 REV	标记 MARK	修改摘要 REVISION DESCRIPTION	签名 SIGNATURE	日期 DATE
AO		NEW RELEASE	WANG	2017-03-25



Ordering information & Specifications

Unit:mm

Part No	Wire Range	Insultion O.D.	Material	Finish	Qty/reel
HDGC1275ML-TP	FFC	—	Phosphor Bronze	Tin over Nickel	15,000 PCS



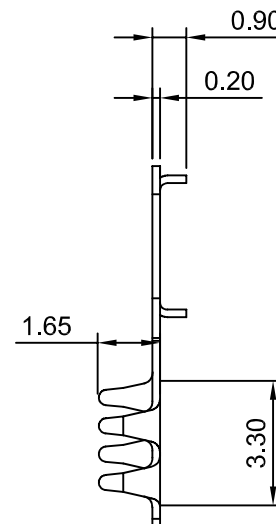
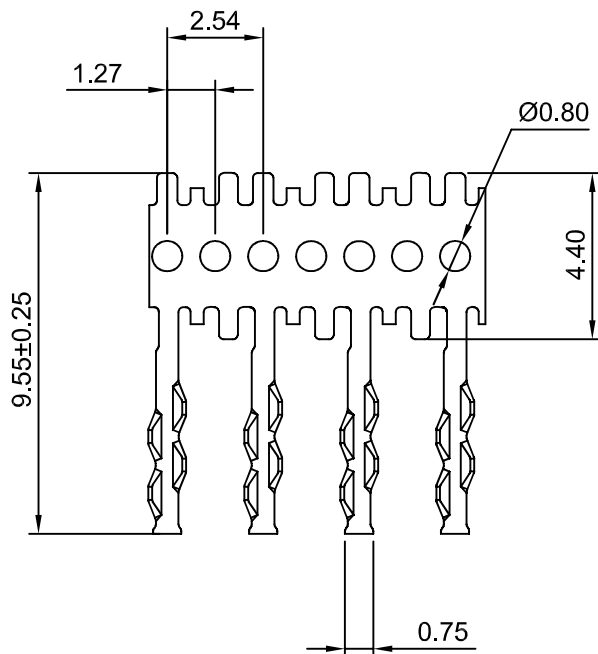
深圳市华德共创科技有限公司

Shenzhen Huade co-create Technology Co.,LTD

TEL : 0755-27129737 FAX : 0755-29940187

-TOLERANCES- UNLESS OTHERWISE SPECIFIED 公差参数表				 		TITLE: 1.25mm Pitch 产品名称: Crimp Terminal			
X.X	±0.30	X.X°	±3°	APPD: 核准:	XIE	PART NO: 产品编号: HDGC1275ML-T			
X.XX	±0.30	X.XX°	±2°	CHECK: 校对:	WANG	DATE	SCALE	UNIT	CODE NUMBER
X.XXX	±0.10	X.XXX°	±1°	DRAW: 绘图:	WANG	2017-03-25	5:1	mm	A008

修订 REV	标记 MARK	修改摘要 REVISION DESCRIPTION	签名 SIGNATURE	日期 DATE
AO		NEW RELEASE	WANG	2017-03-25



Ordering information & Specifications

Unit:mm

Part No	Wire Range	Insulation O.D.	Material	Finish	Qty/reel
HDGC1275N-TP	FFC	—	Phosphor Bronze	Tin over Nickel	15,000 PCS



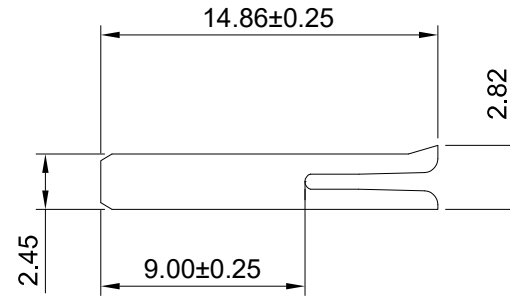
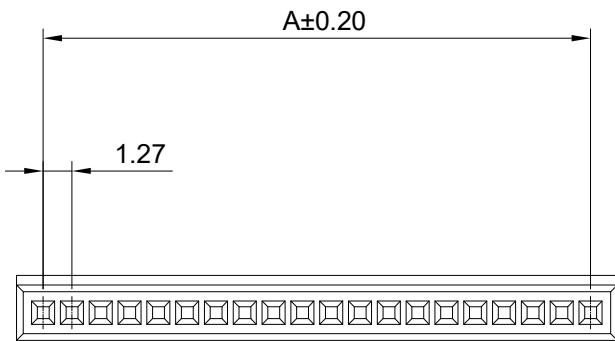
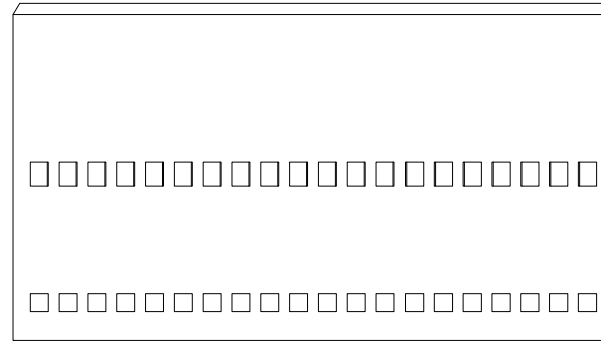
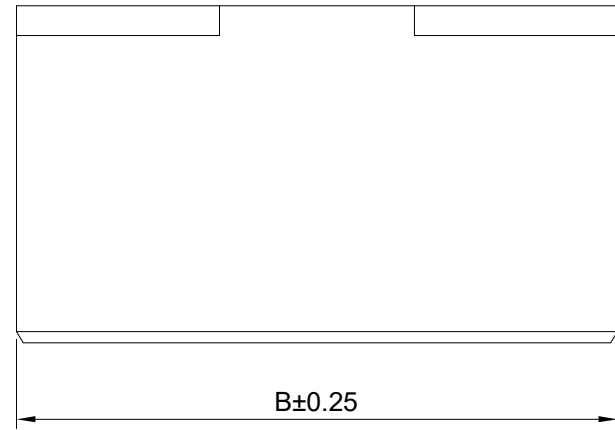
深圳市华德共创科技有限公司

Shenzhen Huade co-create Technology Co.,LTD

TEL : 0755-27129737 FAX : 0755-29940187

-TOLERANCES- UNLESS OTHERWISE SPECIFIED 公差参数表					TITLE: 1.25mm Pitch 产品名称: Crimp Terminal	
X.X	±0.30	X.X°	±3°	APPD: 核准: XIE	PART NO: 产品编号: HDGC1275N-T	
X.XX	±0.30	X.XX°	±2°	CHECK: 校对: WANG	DATE	SCALE
X.XXX	±0.10	X.XXX°	±1°	DRAW: 绘图: WANG	2017-03-25	5:1
					UNIT	CODE NUMBER
					mm	A008

修订 REV	标记 MARK	修改摘要 REVISION DESCRIPTION	签名 SIGNATURE	日期 DATE
AO		NEW RELEASE	WANG	2017-03-25



Ordering Information & Dimensions

Circuits	Dim(mm)		Circuits	Dim(mm)		Circuits	Dim(mm)	
	A	B		A	B		A	B
2P	1.27	3.63	19P	22.86	25.22	36P	44.45	46.81
3P	2.54	4.90	20P	24.13	26.49	37P	45.72	48.08
4P	3.81	6.17	21P	25.40	27.76	38P	46.99	49.35
5P	5.08	7.44	22P	26.67	29.03	39P	48.26	50.62
6P	6.35	8.71	23P	27.94	30.30	40P	49.53	51.89
7P	7.62	9.98	24P	29.21	31.57	41P	50.80	53.16
8P	8.89	11.25	25P	30.48	32.84	42P	52.07	54.43
9P	10.16	12.52	26P	31.75	34.11	43P	53.34	55.70
10P	11.43	13.79	27P	33.02	35.38	44P	54.61	56.97
11P	12.70	15.06	28P	34.29	36.65	45P	55.88	58.24
12P	13.97	16.33	29P	35.56	37.92	46P	57.15	59.51
13P	15.24	17.60	30P	36.83	39.19	47P	58.42	60.78
14P	16.51	18.87	31P	38.10	40.46	48P	59.69	62.05
15P	17.78	20.14	32P	39.37	41.73	49P	60.96	63.32
16P	19.05	21.41	33P	40.64	43.00	50P	62.23	64.59
17P	20.32	22.68	34P	41.91	44.27			
18P	21.59	23.95	35P	43.18	45.54			

SPECIFICATIONS:

Current Rating: 1.5A AC,DC
Voltage Rating: 30V AC,DC
Temperature Range: -25°C ~ +85°C
Contact Resistance: 20mΩ Max
Insulation Resistance: 1000MΩ Min
Withstanding Voltage: 500V AC/minute
Material: Polyester,UL94V-0(Black)

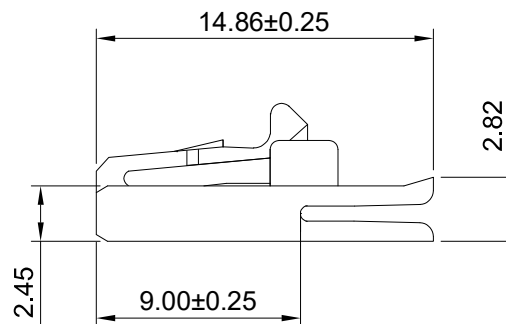
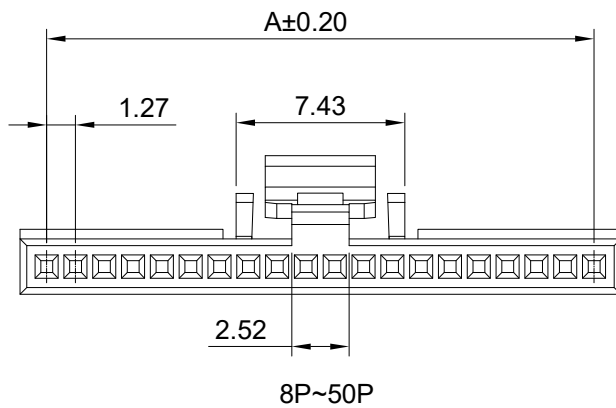
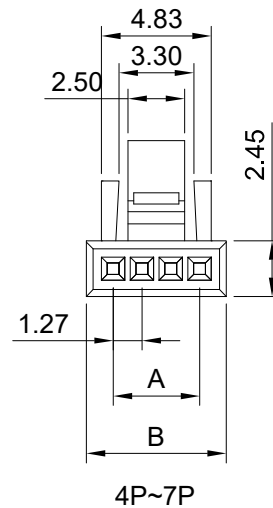
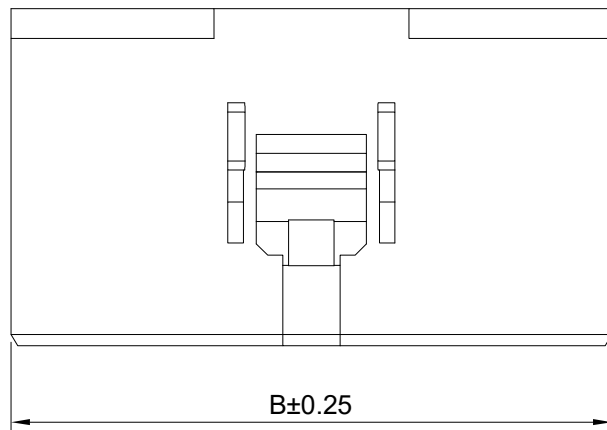


深圳市华德共创科技有限公司

Shenzhen Huade co-create Technology Co.,LTD
TEL : 0755-27129737 FAX : 0755-29940187

-TOLERANCES- UNLESS OTHERWISE SPECIFIED 公差参数表						TITLE: 产品名称: 1.27mm Pitch Housing			
X.X	±0.30	X.X°	±3°	APPD: 核准:	XIE	PART NO: 产品编号: HDGC1275H-XP			
X.XX	±0.30	X.XX°	±2°	CHECK: 校对:	WANG	DATE	SCALE	UNIT	CODE NUMBER
X.XXX	±0.10	X.XXX°	±1°	DRAW: 绘图:	WANG	2017-03-25	3:1	mm	A008

修订 REV	标记 MARK	修改摘要 REVISION DESCRIPTION	签名 SIGNATURE	日期 DATE
AO		NEW RELEASE	WANG	2017-03-25



Ordering Information & Dimensions

Circuits	Dim(mm)		Circuits	Dim(mm)		Circuits	Dim(mm)	
	A	B		A	B		A	B
4P	3.81	6.17	20P	24.13	26.49	36P	44.45	46.81
5P	5.08	7.44	21P	25.40	27.76	37P	45.72	48.08
6P	6.35	8.71	22P	26.67	29.03	38P	46.99	49.35
7P	7.62	9.98	23P	27.94	30.30	39P	48.26	50.62
8P	8.89	11.25	24P	29.21	31.57	40P	49.53	51.89
9P	10.16	12.52	25P	30.48	32.84	41P	50.80	53.16
10P	11.43	13.79	26P	31.75	34.11	42P	52.07	54.43
11P	12.70	15.06	27P	33.02	35.38	43P	53.34	55.70
12P	13.97	16.33	28P	34.29	36.65	44P	54.61	56.97
13P	15.24	17.60	29P	35.56	37.92	45P	55.88	58.24
14P	16.51	18.87	30P	36.83	39.19	46P	57.15	59.51
15P	17.78	20.14	31P	38.10	40.46	47P	58.42	60.78
16P	19.05	21.41	32P	39.37	41.73	48P	59.69	62.05
17P	20.32	22.68	33P	40.64	43.00	49P	60.96	63.32
18P	21.59	23.95	34P	41.91	44.27	50P	62.23	64.59
19P	22.86	25.22	35P	43.18	45.54			

SPECIFICATIONS:

Current Rating: 1.5A AC,DC
Voltage Rating: 30V AC,DC
Temperature Range: -25°C ~ +85°C
Contact Resistance: 20mΩ Max
Insulation Resistance: 1000MΩ Min
Withstanding Voltage: 500V AC/minute
Material: Polyester,UL94V-0(Black)



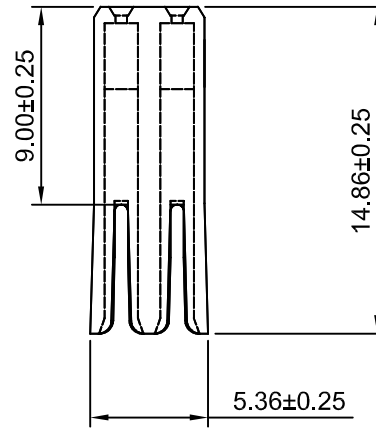
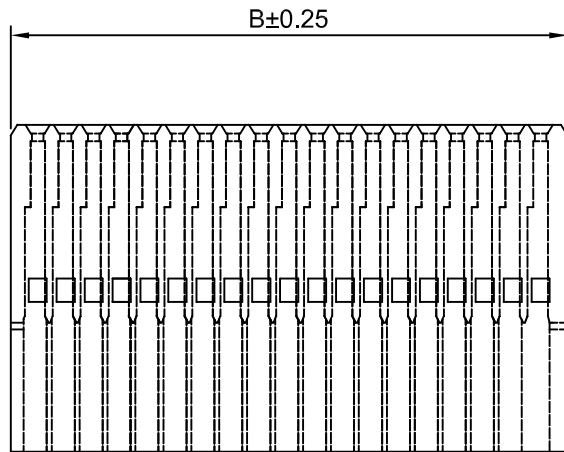
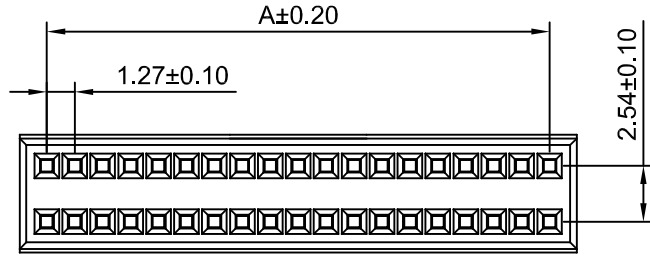
深圳市华德共创科技有限公司

Shenzhen Huade co-create Technology Co.,LTD

TEL : 0755-27129737 FAX : 0755-29940187

-TOLERANCES- UNLESS OTHERWISE SPECIFIED 公差参数表						TITLE: 产品名称: 1.27mm Pitch Housing			
X.X	±0.30	X.X°	±3°	APPD: 核准:	XIE	PART NO: 产品编号: HDGC1275HA-XP			
X.XX	±0.30	X.XX°	±2°	CHECK: 校对:	WANG	DATE	SCALE	UNIT	CODE NUMBER
X.XXX	±0.10	X.XXX°	±1°	DRAW: 绘图:	WANG	2017-03-25	3:1	mm	A008

修订 REV	标记 MARK	修改摘要 REVISION DESCRIPTION	签名 SIGNATURE	日期 DATE
AO		NEW RELEASE	WANG	2017-03-25



Ordering Information & Dimensions

Circuits	Dim(mm)		Circuits	Dim(mm)		Circuits	Dim(mm)	
	A	B		A	B		A	B
2x5P	5.08	7.54	2x21P	25.40	27.86	2x37P	45.72	48.18
2x6P	6.35	8.81	2x22P	26.67	29.13	2x38P	46.99	49.45
2x7P	7.62	10.08	2x23P	27.94	30.40	2x39P	48.26	50.72
2x8P	8.89	11.35	2x24P	29.21	31.67	2x40P	49.53	51.99
2x9P	10.16	12.62	2x25P	30.48	32.94	2x41P	50.80	53.26
2x10P	11.43	13.89	2x26P	31.75	34.21	2x42P	52.07	54.53
2x11P	12.70	15.16	2x27P	33.02	35.48	2x43P	53.34	55.80
2x12P	13.97	16.43	2x28P	34.29	36.75	2x44P	54.61	57.07
2x13P	15.24	17.70	2x29P	35.56	38.02	2x45P	55.88	58.34
2x14P	16.51	18.97	2x30P	36.83	39.29	2x46P	57.15	59.61
2x15P	17.78	20.24	2x31P	38.10	40.56	2x47P	58.42	60.88
2x16P	19.05	21.51	2x32P	39.37	41.83	2x48P	59.69	62.15
2x17P	20.32	22.78	2x33P	40.64	43.10	2x49P	60.96	63.42
2x18P	21.59	24.05	2x34P	41.91	44.37	2x50P	62.23	64.69
2x19P	22.86	25.32	2x35P	43.18	45.64			
2x20P	24.13	26.59	2x36P	44.45	46.91			

SPECIFICATIONS:

Current Rating: 1.5A AC,DC
Voltage Rating: 30V AC,DC
Temperature Range: $-25^{\circ}\text{C} \sim +85^{\circ}\text{C}$
Contact Resistance: 20m Ω Max
Insulation Resistance: 1000M Ω Min
Withstanding Voltage: 500V AC/minute
Material: Polyester, UL94V-0(Black)



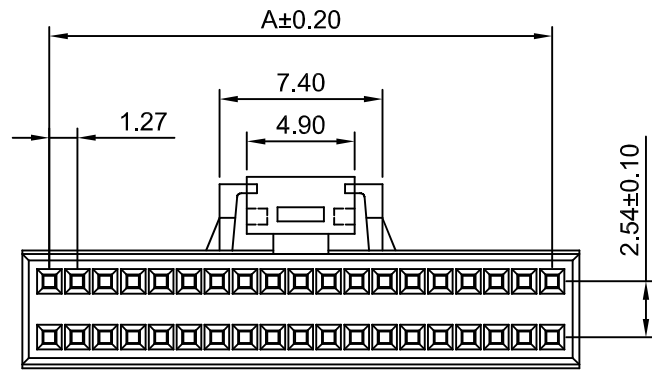
深圳市华德共创科技有限公司

Shenzhen Huade co-create Technology Co.,LTD

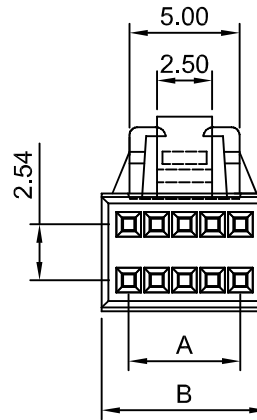
TEL : 0755-27129737 FAX : 0755-29940187

-TOLERANCES- UNLESS OTHERWISE SPECIFIED 公差参数表						TITLE: 产品名称: 1.27mm Pitch Housing			
X.X	± 0.30	X.X°	$\pm 3^{\circ}$	APPD: 核准:	XIE	PART NO: 产品编号: HDGC1275H-2xXP			
X.XX	± 0.30	X.XX°	$\pm 2^{\circ}$	CHECK: 校对:	WANG	DATE	SCALE	UNIT	CODE NUMBER
X.XXX	± 0.10	X.XXX°	$\pm 1^{\circ}$	DRAW: 绘图:	WANG	2017-03-25	3:1	mm	A008

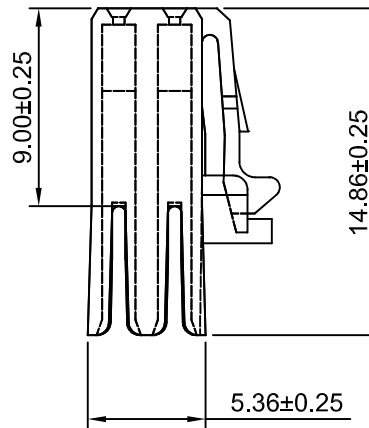
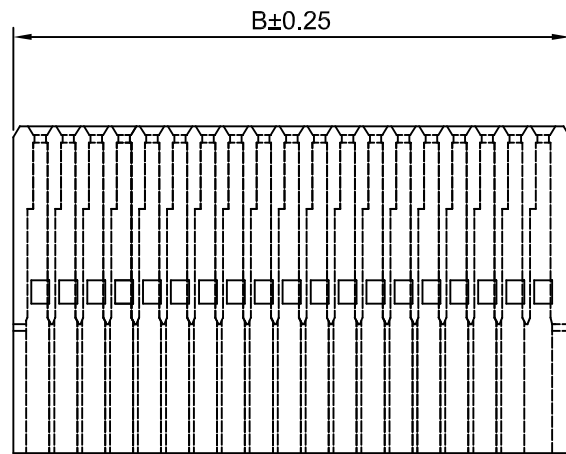
修订 REV	标记 MARK	修改摘要 REVISION DESCRIPTION	签名 SIGNATURE	日期 DATE
AO		NEW RELEASE	WANG	2017-03-25



2x6P~2x50P



2x5P



Ordering Information & Dimensions

Circuits	Dim(mm)		Circuits	Dim(mm)		Circuits	Dim(mm)	
	A	B		A	B		A	B
2x5P	5.08	7.54	2x21P	25.40	27.86	2x37P	45.72	48.18
2x6P	6.35	8.81	2x22P	26.67	29.13	2x38P	46.99	49.45
2x7P	7.62	10.08	2x23P	27.94	30.40	2x39P	48.26	50.72
2x8P	8.89	11.35	2x24P	29.21	31.67	2x40P	49.53	51.99
2x9P	10.16	12.62	2x25P	30.48	32.94	2x41P	50.80	53.26
2x10P	11.43	13.89	2x26P	31.75	34.21	2x42P	52.07	54.53
2x11P	12.70	15.16	2x27P	33.02	35.48	2x43P	53.34	55.80
2x12P	13.97	16.43	2x28P	34.29	36.75	2x44P	54.61	57.07
2x13P	15.24	17.70	2x29P	35.56	38.02	2x45P	55.88	58.34
2x14P	16.51	18.97	2x30P	36.83	39.29	2x46P	57.15	59.61
2x15P	17.78	20.24	2x31P	38.10	40.56	2x47P	58.42	60.88
2x16P	19.05	21.51	2x32P	39.37	41.83	2x48P	59.69	62.15
2x17P	20.32	22.78	2x33P	40.64	43.10	2x49P	60.96	63.42
2x18P	21.59	24.05	2x34P	41.91	44.37	2x50P	62.23	64.69
2x19P	22.86	25.32	2x35P	43.18	45.64			
2x20P	24.13	26.59	2x36P	44.45	46.91			

SPECIFICATIONS:

Current Rating: 1.5A AC,DC
Voltage Rating: 30V AC,DC
Temperature Range: -25°C ~ +85°C
Contact Resistance: 20mΩ Max
Insulation Resistance: 1000MΩ Min
Withstanding Voltage: 500V AC/minute
Material: Polyester, UL94V-0(Black)

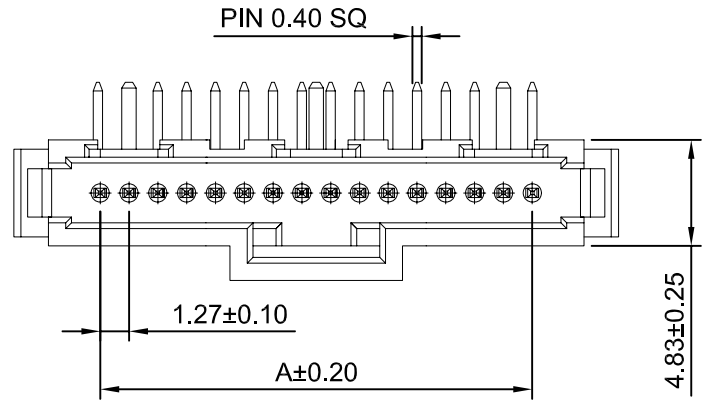


深圳市华德共创科技有限公司

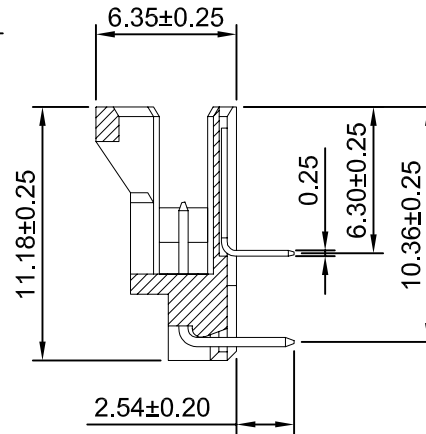
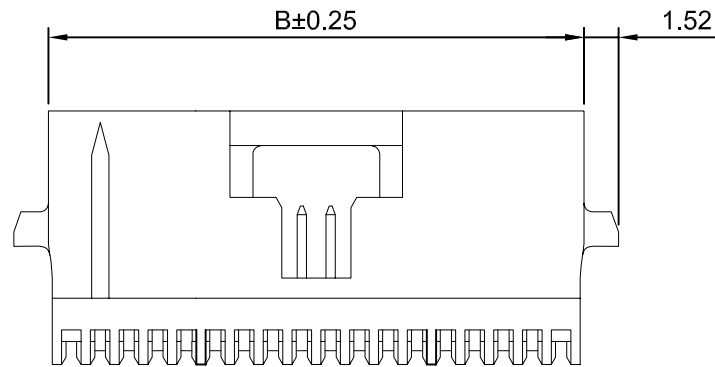
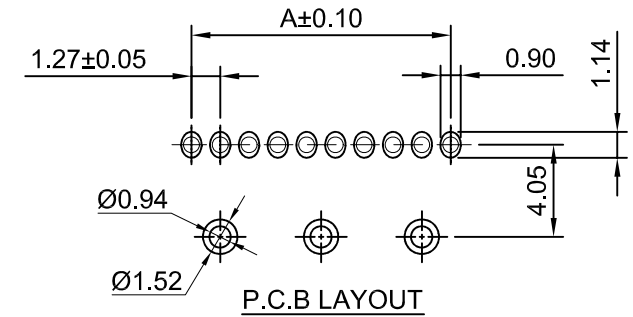
Shenzhen Huade co-create Technology Co., LTD
TEL : 0755-27129737 FAX : 0755-29940187

-TOLERANCES- UNLESS OTHERWISE SPECIFIED 公差参数表				TITLE: 产品名称: 1.27mm Pitch Housing					
X.X	±0.30	X.X°	±3°	APPD: 核准:	XIE	PART NO: 产品编号:	HDGC1275HA-2xXP		
X.XX	±0.30	X.XX°	±2°	CHECK: 校对:	WANG	DATE	SCALE	UNIT	CODE NUMBER
X.XXX	±0.10	X.XXX°	±1°	DRAW: 绘图:	WANG	2017-03-25	3:1	mm	A008

修订 REV	标记 MARK	修改摘要 REVISION DESCRIPTION	签名 SIGNATURE	日期 DATE
AO		NEW RELEASE	WANG	2017-03-25



Ordering Information:
HDGC1275WR-XP- **
 1 2
 1.Part No.
 2.Finish:
(Blank):Tin over Nickel
G:Gold over Nickel



Ordering Information & Dimensions

Circuits	Dim(mm)		Circuits	Dim(mm)		Circuits	Dim(mm)	
	A	B		A	B		A	B
4P	3.81	8.38	20P	24.13	28.70	36P	44.45	49.02
5P	5.08	9.65	21P	25.40	29.97	37P	45.72	50.29
6P	6.35	10.92	22P	26.67	31.24	38P	46.99	51.56
7P	7.62	12.19	23P	27.94	32.51	39P	48.26	52.83
8P	8.89	13.46	24P	29.21	33.78	40P	49.53	54.10
9P	10.16	14.73	25P	30.48	35.05	41P	50.80	55.37
10P	11.43	16.00	26P	31.75	36.32	42P	52.07	56.64
11P	12.70	17.27	27P	33.02	37.59	43P	53.34	57.91
12P	13.97	18.54	28P	34.29	38.86	44P	54.61	59.18
13P	15.24	19.81	29P	35.56	40.13	45P	55.88	60.45
14P	16.51	21.08	30P	36.83	41.40	46P	57.15	61.72
15P	17.78	22.35	31P	38.10	42.67	47P	58.42	62.99
16P	19.05	23.62	32P	39.37	43.94	48P	59.69	64.26
17P	20.32	24.89	33P	40.64	45.21	49P	60.96	65.53
18P	21.59	26.16	34P	41.91	46.48	50P	62.23	66.80
19P	22.86	27.43	35P	43.18	47.75			

SPECIFICATIONS:

Current Rating:1.5A AC,DC
 Voltage Rating: 30V AC,DC
 Temperature Range: -25°C ~ +85°C
 Contact Resistance: 20mΩ Max
 Insulation Resistance: 1000MΩ Min
 Withstanding Voltage: 500V AC/minute
 Pin Material:Phosphor Bronze/Tin over Nickel
 Material: PA9T+30%GF,UL94V-0(Black)

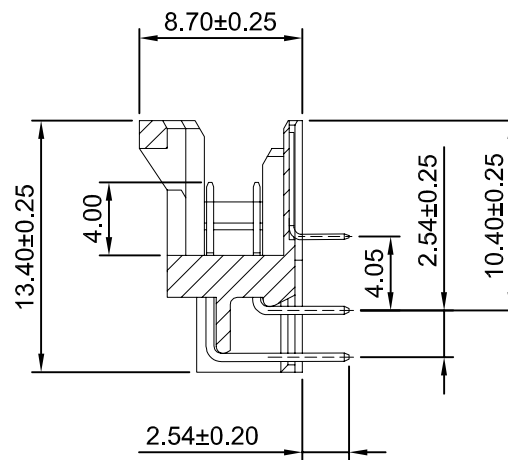
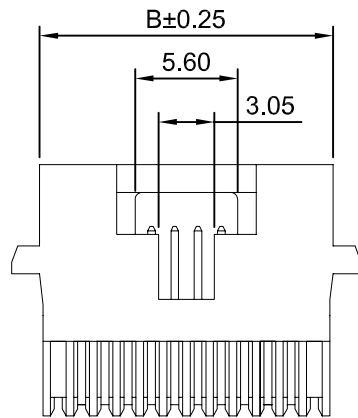
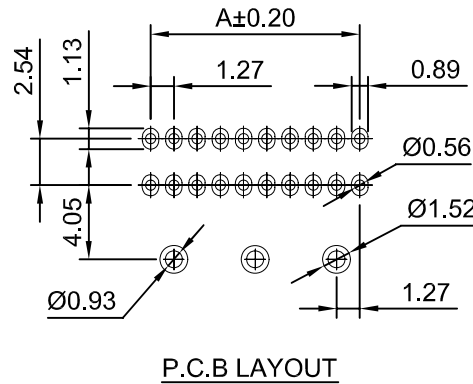
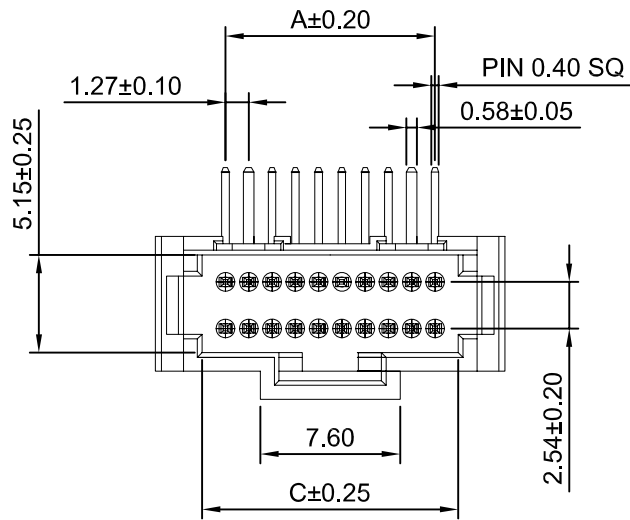


深圳市华德共创科技有限公司

Shenzhen Huade co-create Technology Co.,LTD
 TEL : 0755-27129737 FAX : 0755-29940187

-TOLERANCES- UNLESS OTHERWISE SPECIFIED 公差参数表				TITLE: 1.27mm Pitch 产品名称: 90° Wafer	
X.X	±0.30	X.X°	±3°	APPD: 核准:	XIE
X.XX	±0.30	X.XX°	±2°	CHECK: 校对:	WANG
X.XXX	±0.10	X.XXX°	±1°	DRAW: 绘图:	WANG
PART NO: 产品编号:			HDGC1275WR-XP		
DATE		SCALE	UNIT	CODE NUMBER	
2017-03-25		3:1	mm	A008	

修订 REV	标记 MARK	修改摘要 REVISION DESCRIPTION	签名 SIGNATURE	日期 DATE
AO		NEW RELEASE	WANG	2017-03-25



Ordering Information & Dimensions

Circuits	Dimensions(mm)			Circuits	Dimensions(mm)		
	A	B	C		A	B	C
2x5P	5.08	9.65	7.65	2x21P	25.40	29.97	27.97
2x6P	6.35	10.92	8.92	2x22P	26.67	31.24	29.24
2x7P	7.62	12.19	10.19	2x23P	27.94	32.51	30.51
2x8P	8.89	13.46	11.46	2x24P	29.21	33.78	31.78
2x9P	10.16	14.73	12.73	2x25P	30.48	35.05	33.05
2x10P	11.43	16.00	14.00	2x26P	31.75	36.32	34.32
2x11P	12.70	17.27	15.27	2x27P	33.02	37.59	35.59
2x12P	13.97	18.54	16.54	2x28P	34.29	38.86	36.86
2x13P	15.24	19.81	17.81	2x29P	35.56	40.13	38.13
2x14P	16.51	21.08	19.08	2x30P	36.83	41.40	39.40
2x15P	17.78	22.35	20.35	2x31P	38.10	42.67	40.67
2x16P	19.05	23.62	21.62	2x32P	39.37	43.94	41.94
2x17P	20.32	24.89	22.89	2x33P	40.64	45.21	43.21
2x18P	21.59	26.16	24.16	2x34P	41.91	46.48	44.48
2x19P	22.86	27.43	25.43	2x35P	43.18	47.75	45.75
2x20P	24.13	28.70	26.70	2x36P	44.45	49.02	47.02

SPECIFICATIONS:

Current Rating: 1.5A AC,DC
Voltage Rating: 30V AC,DC
Temperature Range: -25°C ~ +85°C
Contact Resistance: 20mΩ Max
Insulation Resistance: 1000MΩ Min
Withstanding Voltage: 500V AC/minute
Pin Material: Phosphor Bronze/Glud over Nickel
Material: Nylon 9T, UL94V-0(Black)
Soldering Temperature: 260°C±5°C
Immersion Period: 3~5 seconds

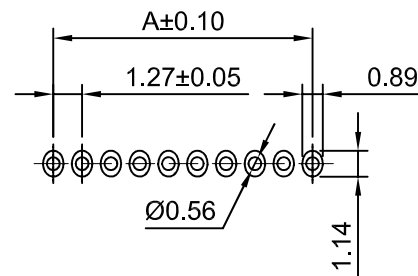
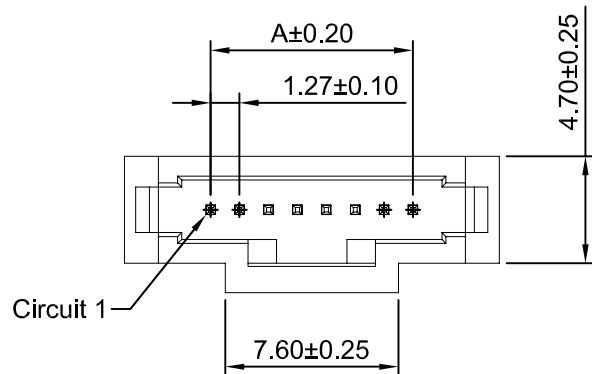


深圳市华德共创科技有限公司

Shenzhen Huade co-create Technology Co.,LTD
TEL : 0755-27129737 FAX : 0755-29940187

-TOLERANCES- UNLESS OTHERWISE SPECIFIED 公差参数表						TITLE: 1.27mm Pitch 产品名称: 90° Wafer			
X.X	±0.30	X.X°	±3°	APPD: 核准:	XIE	PART NO: 产品编号: HDGC1275WR-2xXP			
X.XX	±0.30	X.XX°	±2°	CHECK: 校对:	WANG	DATE	SCALE	UNIT	CODE NUMBER
X.XXX	±0.10	X.XXX°	±1°	DRAW: 绘图:	WANG	2017-03-25	2.5:1	mm	A008

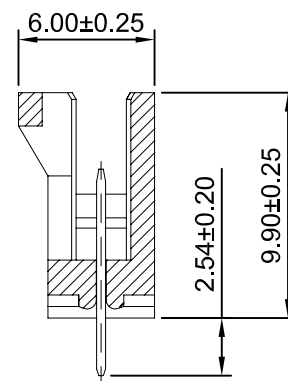
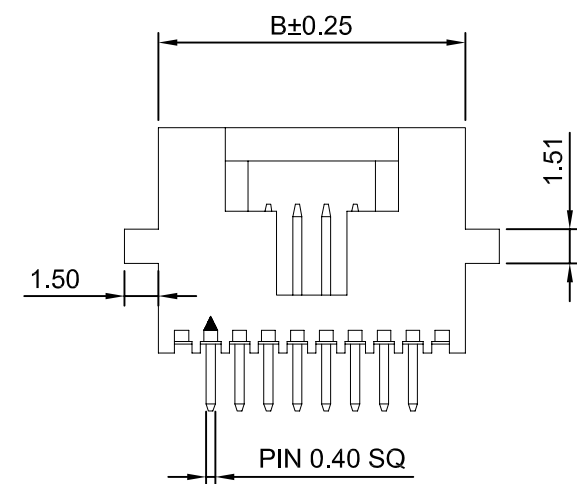
修订 REV	标记 MARK	修改摘要 REVISION DESCRIPTION	签名 SIGNATURE	日期 DATE
AO		NEW RELEASE	WANG	2017-03-25



P.C.B LAYOUT

Ordering Information:
HDGC1275WV-XP - **
1 2

1.Part No.
2.Finish:
Blank: Tin over Nickel
G: Gold over Nickel



Ordering Information & Dimensions

Circuits	Dim(mm)		Circuits	Dim(mm)		Circuits	Dim(mm)	
	A	B		A	B		A	B
4P	3.81	8.41	20P	24.13	28.73	36P	44.45	49.05
5P	5.08	9.68	21P	25.40	30.00	37P	45.72	50.32
6P	6.35	10.95	22P	26.67	31.27	38P	46.99	51.59
7P	7.62	12.22	23P	27.94	32.54	39P	48.26	52.86
8P	8.89	13.49	24P	29.21	33.81	40P	49.53	54.13
9P	10.16	14.76	25P	30.48	35.08	41P	50.80	55.40
10P	11.43	16.03	26P	31.75	36.35	42P	52.07	56.67
11P	12.70	17.30	27P	33.02	37.62	43P	53.34	57.94
12P	13.97	18.57	28P	34.29	38.89	44P	54.61	59.21
13P	15.24	19.84	29P	35.56	40.16	45P	55.88	60.48
14P	16.51	21.11	30P	36.83	41.43	46P	57.15	61.75
15P	17.78	22.38	31P	38.10	42.70	47P	58.42	63.02
16P	19.05	23.65	32P	39.37	43.97	48P	59.69	64.29
17P	20.32	24.92	33P	40.64	45.24	49P	60.96	65.56
18P	21.59	26.19	34P	41.91	46.51	50P	62.23	66.83
19P	22.86	27.46	35P	43.18	47.78			

SPECIFICATIONS:

Current Rating:1.5A AC,DC
Voltage Rating: 30V AC,DC
Temperature Range: -25°C ~ +85°C
Contact Resistance: 20mΩ Max
Insulation Resistance: 1000MΩ Min
Withstanding Voltage: 500V AC/minute
Pin Material:Phosphor Bronze/Tin over Nickel
Material: PA9T+30%GF,UL94V-0(Black)

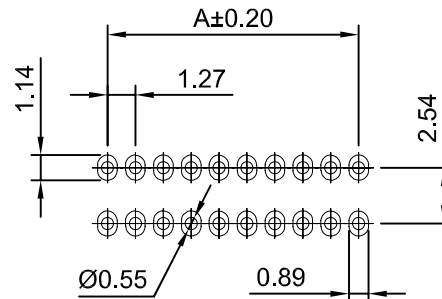
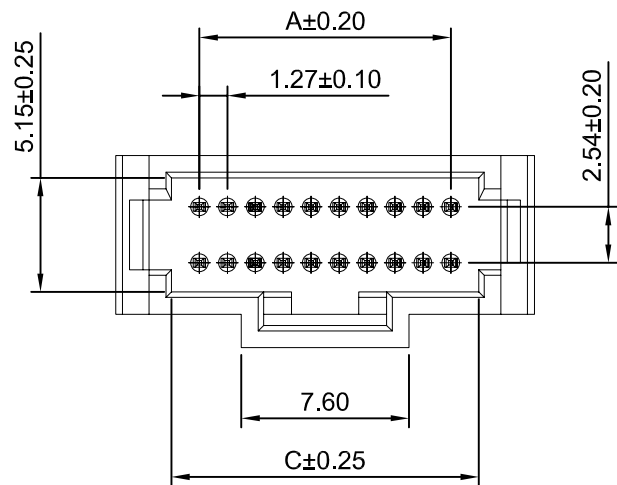


深圳市华德共创科技有限公司

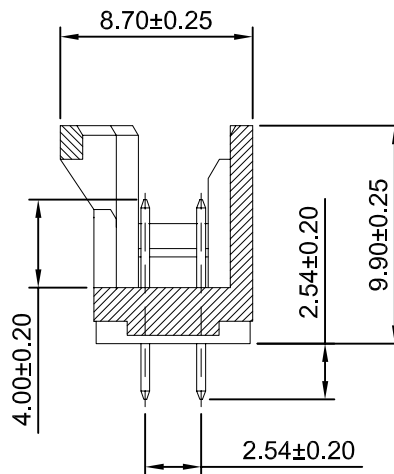
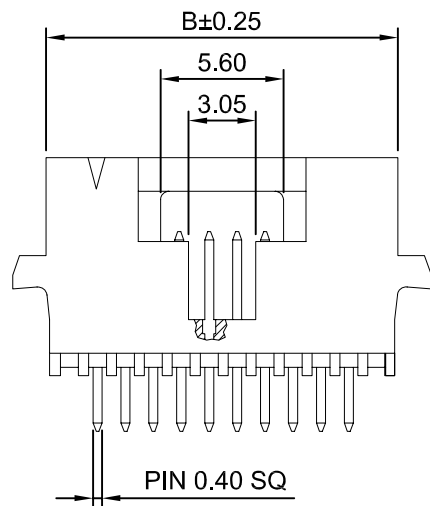
Shenzhen Huade co-create Technology Co.,LTD
TEL : 0755-27129737 FAX : 0755-29940187

-TOLERANCES- UNLESS OTHERWISE SPECIFIED 公差参数表				TITLE: 1.27mm Pitch 产品名称: 180° Wafer	
X.X	±0.30	X.X°	±3°	APPD: 核准:	XIE
X.XX	±0.30	X.XX°	±2°	CHECK: 校对:	WANG
X.XXX	±0.10	X.XXX°	±1°	DRAW: 绘图:	WANG
PART NO: 产品编号:			HDGC1275WV-XP		
DATE	SCALE	UNIT	CODE NUMBER		
2017-03-25	3:1	mm	A008		

修订 REV	标记 MARK	修改摘要 REVISION DESCRIPTION	签名 SIGNATURE	日期 DATE
AO		NEW RELEASE	WANG	2017-03-25



P.C.B LAYOUT



Ordering Information & Dimensions

Circuits	Dimensions(mm)			Circuits	Dimensions(mm)		
	A	B	C		A	B	C
2x5P	5.08	9.65	7.65	2x21P	25.40	29.97	27.97
2x6P	6.35	10.92	8.92	2x22P	26.67	31.24	29.24
2x7P	7.62	12.19	10.19	2x23P	27.94	32.51	30.51
2x8P	8.89	13.46	11.46	2x24P	29.21	33.78	31.78
2x9P	10.16	14.73	12.73	2x25P	30.48	35.05	33.05
2x10P	11.43	16.00	14.00	2x26P	31.75	36.32	34.32
2x11P	12.70	17.27	15.27	2x27P	33.02	37.59	35.59
2x12P	13.97	18.54	16.54	2x28P	34.29	38.86	36.86
2x13P	15.24	19.81	17.81	2x29P	35.56	40.13	38.13
2x14P	16.51	21.08	19.08	2x30P	36.83	41.40	39.40
2x15P	17.78	22.35	20.35	2x31P	38.10	42.67	40.67
2x16P	19.05	23.62	21.62	2x32P	39.37	43.94	41.94
2x17P	20.32	24.89	22.89	2x33P	40.64	45.21	43.21
2x18P	21.59	26.16	24.16	2x34P	41.91	46.48	44.48
2x19P	22.86	27.43	25.43	2x35P	43.18	47.75	45.75
2x20P	24.13	28.70	26.70	2x36P	44.45	49.02	47.02

SPECIFICATIONS:

Current Rating: 1.5A AC,DC
Voltage Rating: 30V AC,DC
Temperature Range: -25°C ~ +85°C
Contact Resistance: 20mΩ Max
Insulation Resistance: 1000MΩ Min
Withstanding Voltage: 500V AC/minute
Pin Material: Phosphor Bronze/Gold over Nickel
Material: Nylon 9T, UL94V-0(Black)
Soldering Temperature: 260°C±5°C
Immersion Period: 3~5 seconds



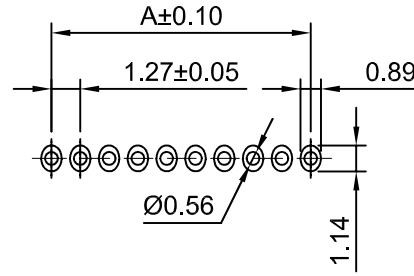
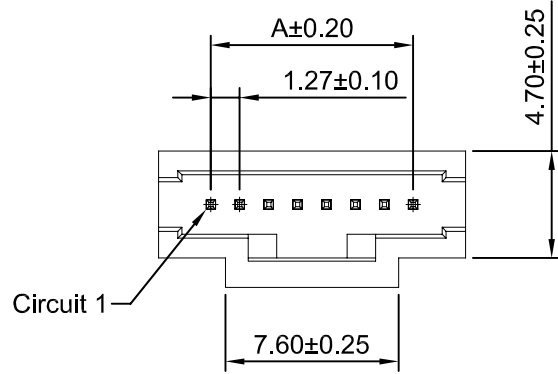
深圳市华德共创科技有限公司

Shenzhen Huade co-create Technology Co.,LTD

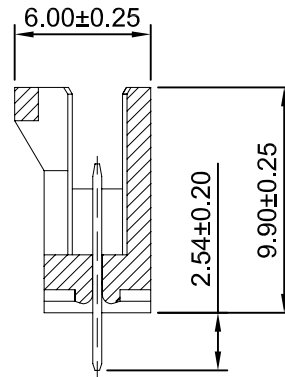
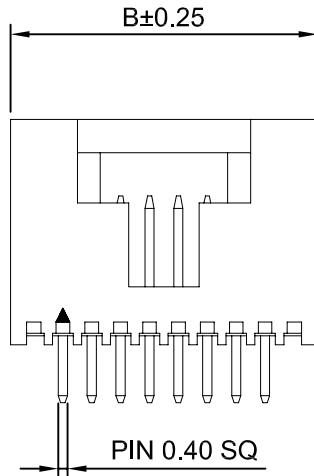
TEL : 0755-27129737 FAX : 0755-29940187

-TOLERANCES- UNLESS OTHERWISE SPECIFIED 公差参数表					TITLE: 1.27mm Pitch 产品名称: 180° Wafer			
X.X	±0.30	X.X°	±3°	APPD: 核准:	XIE			
X.XX	±0.30	X.XX°	±2°	CHECK: 校对:	WANG			
X.XXX	±0.10	X.XXX°	±1°	DRAW: 绘图:	WANG			
PART NO: 产品编号:					HDGC1275WV-2xXP			
DATE					SCALE	UNIT	CODE NUMBER	
2017-03-25					3:1	mm	A008	

修订 REV	标记 MARK	修改摘要 REVISION DESCRIPTION	签名 SIGNATURE	日期 DATE
AO		NEW RELEASE	WANG	2017-03-25



P.C.B LAYOUT



Ordering Information & Dimensions

Circuits	Dim(mm)		Circuits	Dim(mm)		Circuits	Dim(mm)	
	A	B		A	B		A	B
4P	3.81	8.41	20P	24.13	28.73	36P	44.45	49.05
5P	5.08	9.68	21P	25.40	30.00	37P	45.72	50.32
6P	6.35	10.95	22P	26.67	31.27	38P	46.99	51.59
7P	7.62	12.22	23P	27.94	32.54	39P	48.26	52.86
8P	8.89	13.49	24P	29.21	33.81	40P	49.53	54.13
9P	10.16	14.76	25P	30.48	35.08	41P	50.80	55.40
10P	11.43	16.03	26P	31.75	36.35	42P	52.07	56.67
11P	12.70	17.30	27P	33.02	37.62	43P	53.34	57.94
12P	13.97	18.57	28P	34.29	38.89	44P	54.61	59.21
13P	15.24	19.84	29P	35.56	40.16	45P	55.88	60.48
14P	16.51	21.11	30P	36.83	41.43	46P	57.15	61.75
15P	17.78	22.38	31P	38.10	42.70	47P	58.42	63.02
16P	19.05	23.65	32P	39.37	43.97	48P	59.69	64.29
17P	20.32	24.92	33P	40.64	45.24	49P	60.96	65.56
18P	21.59	26.19	34P	41.91	46.51	50P	62.23	66.83
19P	22.86	27.46	35P	43.18	47.78			

SPECIFICATIONS:

Current Rating: 1.5A AC, DC
Voltage Rating: 30V AC, DC
Temperature Range: -25°C ~ +85°C
Contact Resistance: 20mΩ Max
Insulation Resistance: 1000MΩ Min
Withstanding Voltage: 500V AC/minute
Pin Material: Phosphor Bronze/Tin over Nickel
Material: PA9T+30%GF, UL94V-0(Black)



深圳市华德共创科技有限公司

Shenzhen Huade co-create Technology Co., LTD
TEL : 0755-27129737 FAX : 0755-29940187

-TOLERANCES- UNLESS OTHERWISE SPECIFIED 公差参数表						TITLE: 1.27mm Pitch 产品名称: 180° Wafer			
X.X	±0.30	X.X°	±3°	APPD: 核准:	XIE	PART NO: 产品编号: HDGC1275WVA-XP			
X.XX	±0.30	X.XX°	±2°	CHECK: 校对:	WANG	DATE	SCALE	UNIT	CODE NUMBER
X.XXX	±0.10	X.XXX°	±1°	DRAW: 绘图:	WANG	2017-03-25	3:1	mm	A008