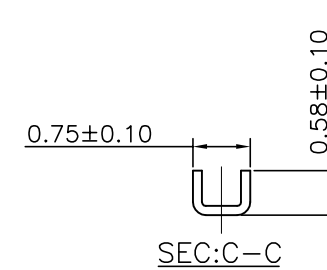
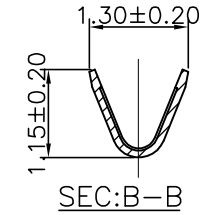
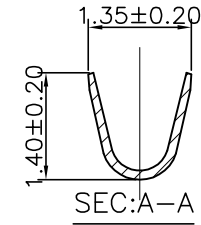
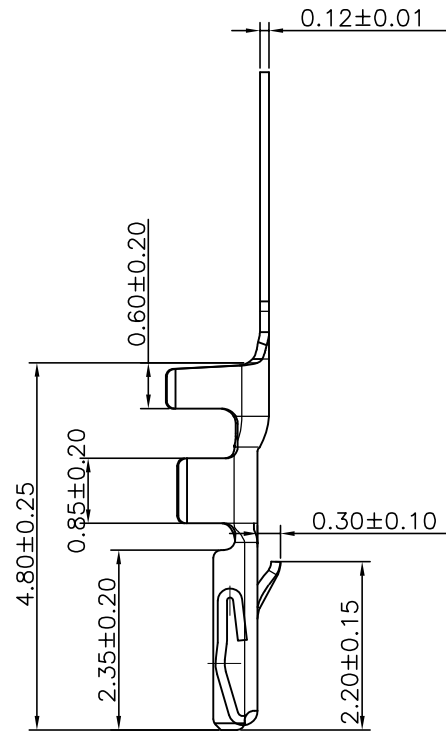
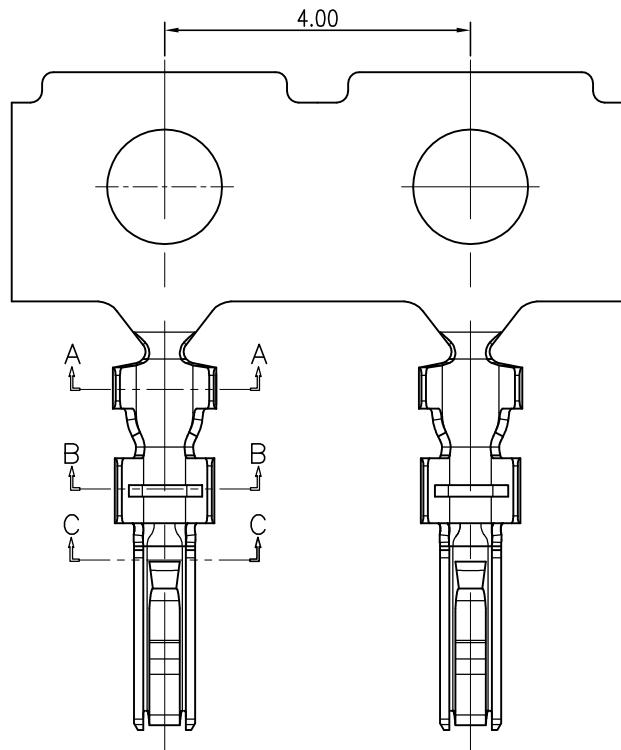


修订 REV	标记 MARK	修改摘要 REVISION DESCRIPTION	签名 SIGNATURE	日期 DATE
AO		NEW RELEASE	WANG	2015-12-21



产品要求:

1. 材质: C5191 (T=0.12mm);
2. 电镀标准: 先冲后镀 镀全锡 Ni底;
3. 包装标准: 每盘20000PCS;



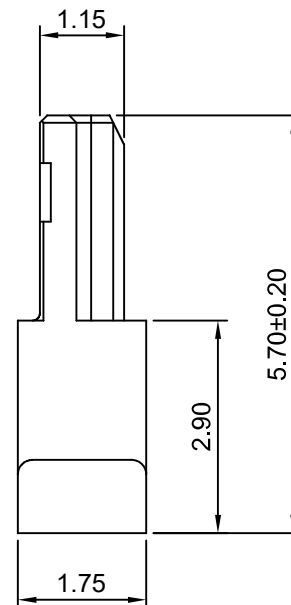
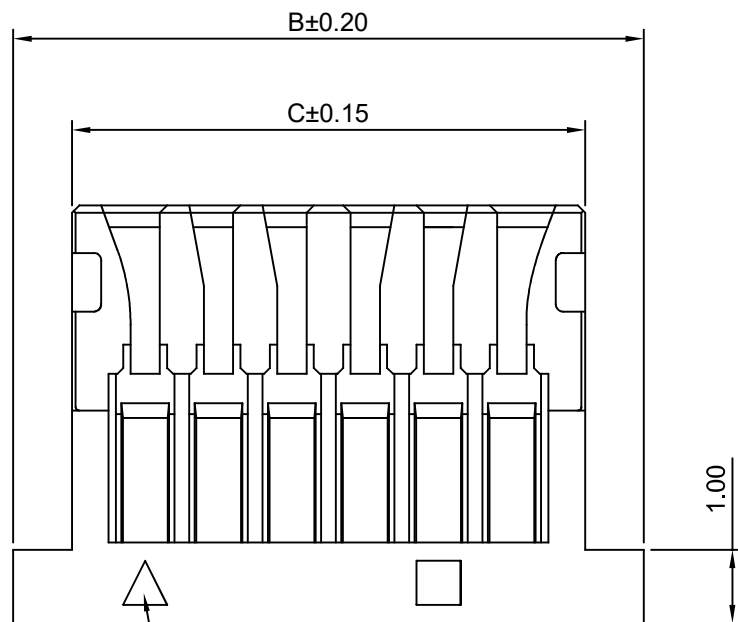
深圳市华德共创科技有限公司

Shenzhen Huade co-create Technology Co., LTD

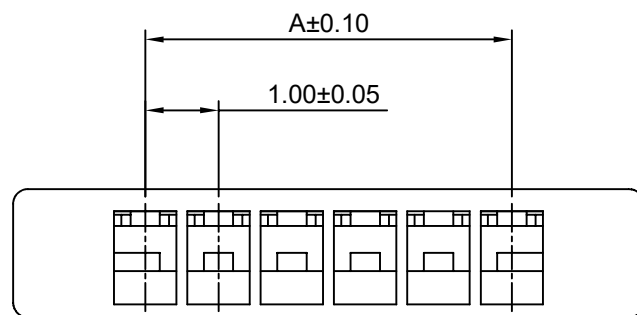
TEL : 0755-27129737 FAX : 0755-29940187

-TOLERANCES- UNLESS OTHERWISE SPECIFIED 公差参数表						TITLE: 1.00mm Pitch 产品名称: Crimp Terminal			
X.X	$\pm 0.30$	X.X°	$\pm 3^\circ$	APPD: 核准:	XIE	PART NO: 产品编号: HDGC1006-T			
X.XX	$\pm 0.30$	X.XX°	$\pm 2^\circ$	CHECK: 校对:	WANG	DATE	SCALE	UNIT	CODE NUMBER
X.XXX	$\pm 0.10$	X.XXX°	$\pm 1^\circ$	DRAW: 绘图:	WANG	2015-12-21	1:1	mm	A001

修订 REV	标记 MARK	修改摘要 REVISION DESCRIPTION	签名 SIGNATURE	日期 DATE
AO		NEW RELEASE	WANG	2012-07-06



Circuit 1



Ordering Information & Dimensions

Circuits	Dimensions(mm)			Circuits	Dimensions(mm)		
	A	B	C		A	B	C
2P	----	4.60	3.00	20P	19.00	22.60	21.00
6P	5.00	8.60	7.00	22P	21.00	24.60	23.00
7P	6.00	9.60	8.00	26P	25.00	28.60	27.00
14P	13.00	16.60	15.00	30P	29.00	32.60	31.00
16P	15.00	18.60	17.00				

**SPECIFICATIONS:**

Current Rating: 1A AC,DC

Voltage Rating: 50V AC,DC

Temperature Range: -25°C ~ +85°C

Contact Resistance: 20mΩ Max.

Insulation Resistance: 100MΩ Min.

Withstanding Voltage: 500V AC/minute

Material: Nylon 66 UL94V-0(White)



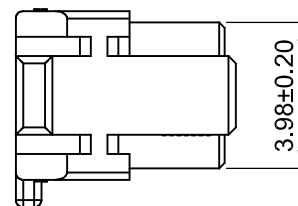
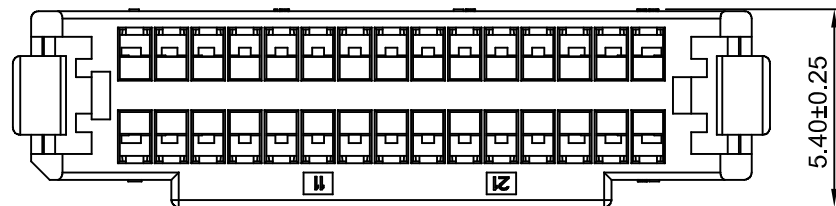
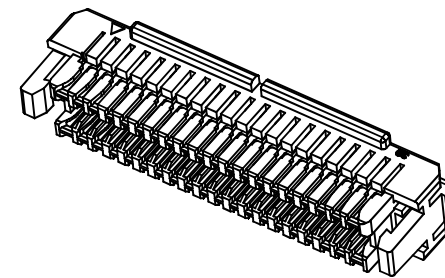
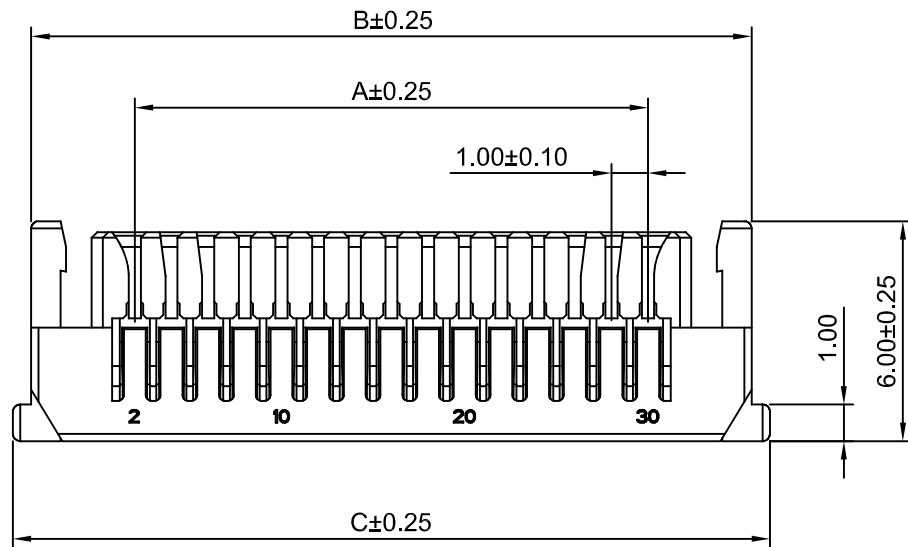
深圳市华德共创科技有限公司

Shenzhen Huade co-create Technology Co.,LTD

TEL : 0755-27129737 FAX : 0755-29940187

-TOLERANCES- UNLESS OTHERWISE SPECIFIED 公差参数表						TITLE: 产品名称: 1.00mm Pitch Housing			
X.X	±0.30	X.X°	±3°	APPD: 核准:	XIE	PART NO: 产品编号: HDGC1006H-XP			
X.XX	±0.30	X.XX°	±2°	CHECK: 校对:	WANG	DATE	SCALE	UNIT	CODE NUMBER
X.XXX	±0.10	X.XXX°	±1°	DRAW: 绘图:	WANG	2012-07-06	10:1	mm	A008

修订 REV	标记 MARK	修改摘要 REVISION DESCRIPTION	签名 SIGNATURE	日期 DATE
AO		NEW RELEASE	WANG	2015-07-06



Ordering Information & Dimensions

Circuits	Dimensions(mm)			Circuits	Dimensions(mm)		
	A	B	C		A	B	C
2x10P	9.00	14.70	15.70	2x20P	19.00	24.70	25.70
2x15P	14.00	19.70	20.70	2x25P	24.00	29.70	30.70

**SPECIFICATIONS:**

Current Rating: 1A AC,DC  
Voltage Rating: 50V AC,DC  
Temperature Range:-25°C ~ +85°C  
Contact Resistance: 20mΩ Max.  
Insulation Resistance: 100MΩ Min.  
Withstanding Voltage: 500V AC/minute  
Material: PBT,UL94V-0(Natural)

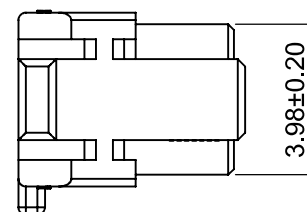
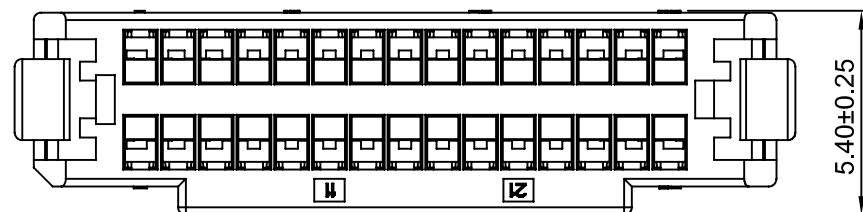
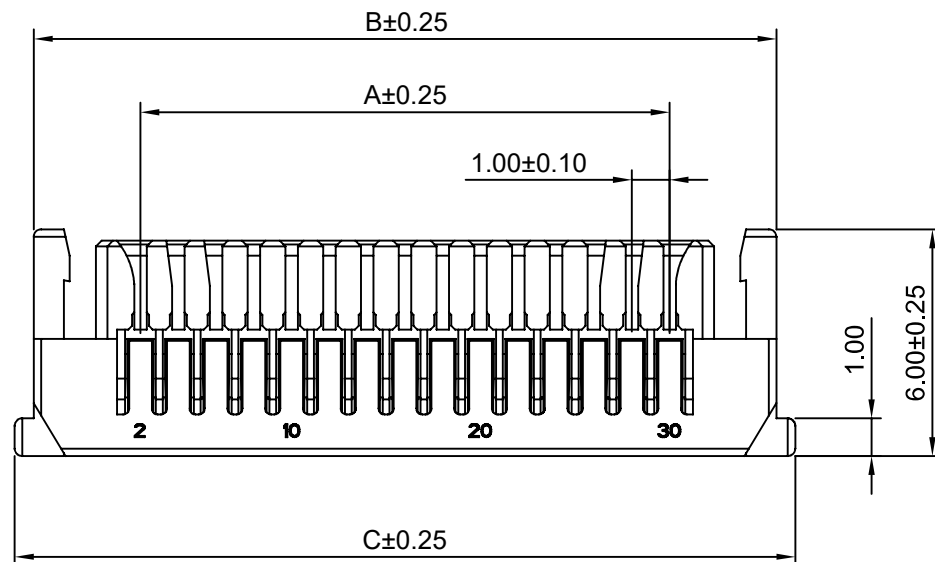


**深圳市华德共创科技有限公司**

Shenzhen Huade co-create Technology Co.,LTD  
TEL : 0755-27129737 FAX : 0755-29940187

-TOLERANCES- OTHERWISE SPECIFIED 公差参数表						TITLE: 产品名称: 1.00mm Pitch Housing			
X.X	±0.30	X.X°	±3°	APPD: 核准:	XIE	PART NO: 产品编号: HDGC1006H-2xXP			
X.XX	±0.30	X.XX°	±2°	CHECK: 校对:	WANG	DATE	SCALE	UNIT	CODE NUMBER
X.XXX	±0.10	X.XXX°	±1°	DRAW: 绘图:	WANG	2015-07-06	5:1	mm	A008

修订 REV	标记 MARK	修改摘要 REVISION DESCRIPTION	签名 SIGNATURE	日期 DATE
AO		NEW RELEASE	WANG	2015-07-06



Ordering Information & Dimensions

Circuits	Dimensions(mm)			Circuits	Dimensions(mm)		
	A	B	C		A	B	C
2x10P	9.00	14.70	15.70	2x15P	14.00	19.70	20.70

**SPECIFICATIONS:**

Current Rating: 1A AC,DC

Voltage Rating: 50V AC,DC

Temperature Range: -25°C ~ +85°C

Contact Resistance: 40mΩ Max.

Insulation Resistance: 100MΩ Min.

Withstanding Voltage: 500V AC/minute

Material: PBT UL94V-0(Natural)



深圳市华德共创科技有限公司

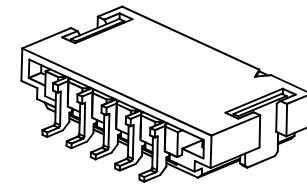
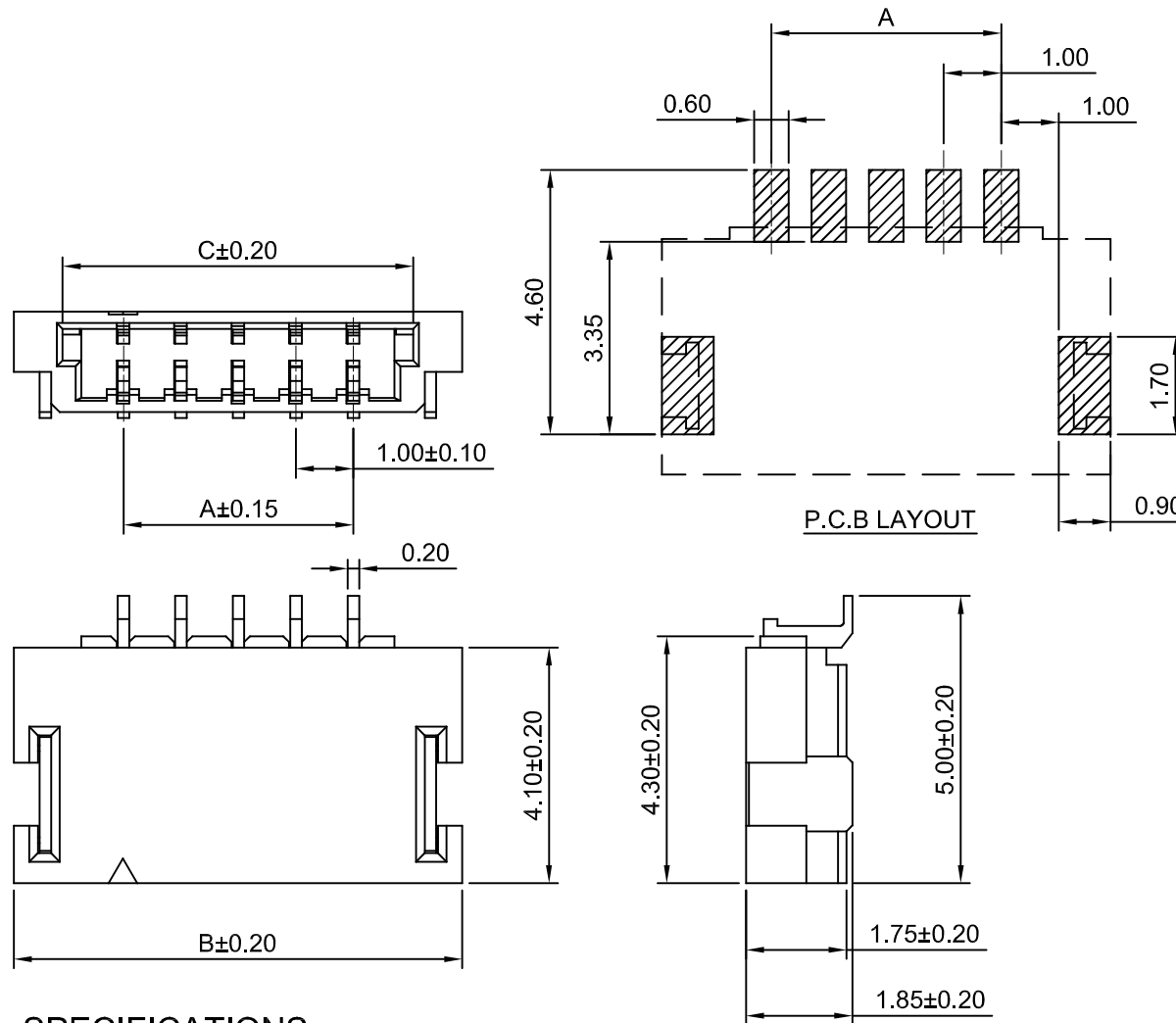
Shenzhen Huade co-create Technology Co.,LTD

TEL : 0755-27129737

FAX : 0755-29940187

-TOLERANCES- UNLESS OTHERWISE SPECIFIED 公差参数表						TITLE: 产品名称: 1.00mm Pitch Housing			
X.X	±0.30	X.X°	±3°	APPD: 核准:	XIE	PART NO: 产品编号: HDGC1006HA-2xXP			
X.XX	±0.30	X.XX°	±2°	CHECK: 校对:	WANG	DATE	SCALE	UNIT	CODE NUMBER
X.XXX	±0.10	X.XXX°	±1°	DRAW: 绘图:	WANG	2015-07-06	5:1	mm	A008

修订 REV	标记 MARK	修改摘要 REVISION DESCRIPTION	签名 SIGNATURE	日期 DATE
AO		NEW RELEASE	WANG	2015-07-06



### Ordering Information & Dimensions

Circuits	Dimensions(mm)			Circuits	Dimensions(mm)		
	A	B	C		A	B	C
2P	1.00	4.80	3.10	17P	16.00	19.80	18.10
3P	2.00	5.80	4.10	18P	17.00	20.80	19.10
4P	3.00	6.80	5.10	19P	18.00	21.80	20.10
5P	4.00	7.80	6.10	20P	19.00	22.80	21.10
6P	5.00	8.80	7.10	21P	20.00	23.80	22.10
7P	6.00	9.80	8.10	22P	21.00	24.80	23.10
8P	7.00	10.80	9.10	23P	22.00	25.80	24.10
9P	8.00	11.80	10.10	24P	23.00	26.80	25.10
10P	9.00	12.80	11.10	25P	24.00	27.80	26.10
11P	10.00	13.80	12.10	26P	25.00	28.80	27.10
12P	11.00	14.80	13.10	27P	26.00	29.80	28.10
13P	12.00	15.80	14.10	28P	27.00	30.80	29.10
14P	13.00	16.80	15.10	29P	28.00	31.80	30.10
15P	14.00	17.80	16.10	30P	29.00	32.80	31.10
16P	15.00	18.80	17.10				

### SPECIFICATIONS:

Current Rating: 1A AC,DC  
Voltage Rating: 50V AC,DC  
Temperature Range: -25°C ~ +85°C  
Contact Resistance: 20mΩ Max.  
Insulation Resistance: 100MΩ Min.  
Withstanding Voltage: 500V AC/minute  
Pin Material: Phosphor Bronze/Tin over Nickel  
Material: Nylon 9T,UL94V-0(Natural)

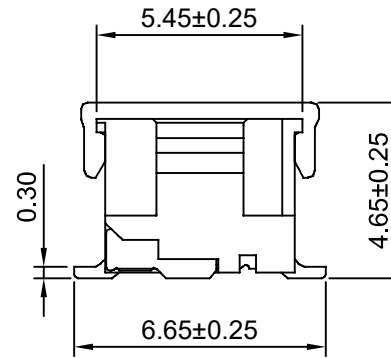
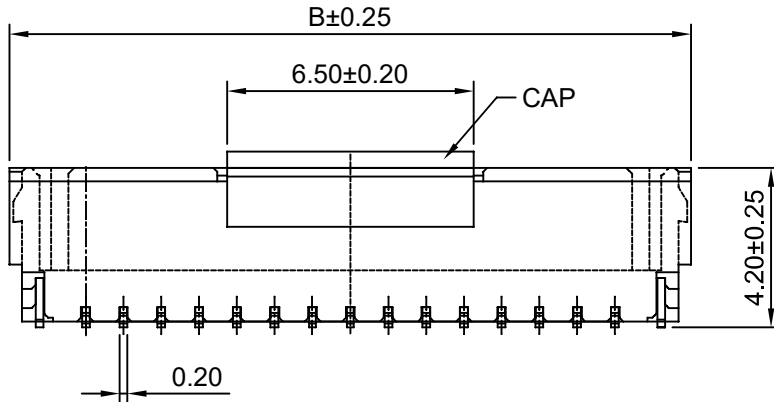
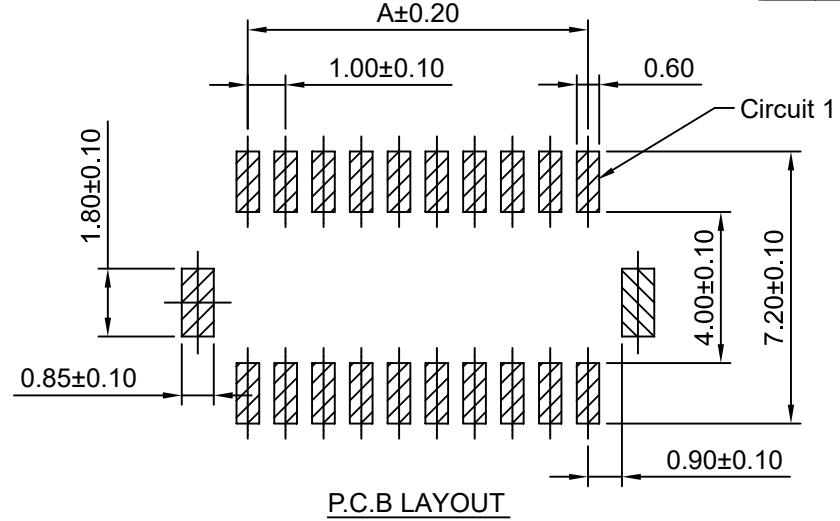
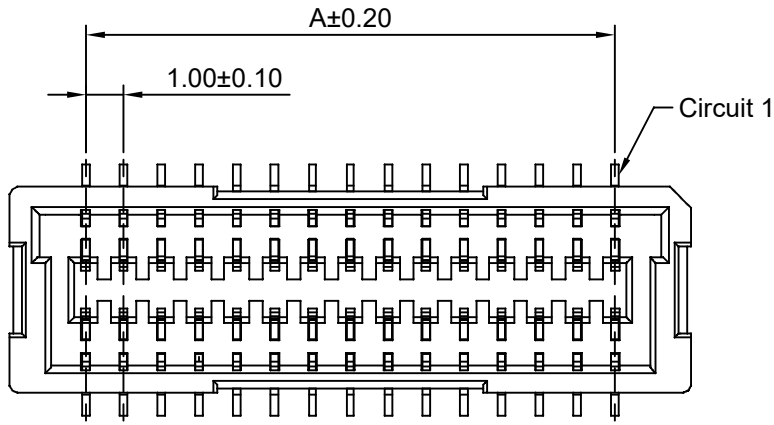


深圳市华德共创科技有限公司

Shenzhen Huade co-create Technology Co.,LTD  
TEL : 0755-27129737 FAX : 0755-29940187

-TOLERANCES- UNLESS OTHERWISE SPECIFIED 公差参数表						TITLE: 1.00mm Pitch 产品名称: 90° Wafer			
X.X	±0.30	X.X°	±3°	APPD: 核准:	XIE	PART NO: 产品编号: HDGC1006WR-S-XP			
X.XX	±0.30	X.XX°	±2°	CHECK: 校对:	WANG	DATE	SCALE	UNIT	CODE NUMBER
X.XXX	±0.10	X.XXX°	±1°	DRAW: 绘图:	WANG	2015-07-06	8:1	mm	A008

修订 REV	标记 MARK	修改摘要 REVISION DESCRIPTION	签名 SIGNATURE	日期 DATE
A0		NEW RELEASE	WANG	2015-07-06



Ordering Information & Dimensions

Circuits	Dimensions(mm)		Circuits	Dimensions(mm)	
	A	B		A	B
2x10P	9.00	13.00	2x20P	19.00	23.00
2x15P	14.00	18.00	2x25P	24.00	28.00

**SPECIFICATIONS:**

Current Rating: 1A AC,DC  
Voltage Rating: 50V AC,DC  
Temperature Range: -25°C ~ +85°C  
Contact Resistance: 20mΩ Max.  
Insulation Resistance: 1000MΩ Min.  
Withstanding Voltage: 1000V AC/minute  
Pin Material: Phosphor Bronze/Gold over Nickel  
Material: Nylon 9T,UL94V-0(Ivory)



**深圳市华德共创科技有限公司**

Shenzhen Huade co-create Technology Co.,LTD  
TEL : 0755-27129737 FAX : 0755-29940187

-TOLERANCES- UNLESS OTHERWISE SPECIFIED 公差参数表						TITLE: 产品名称: 1.00mm Pitch 180° Wafer			
X.X	±0.30	X.X°	±3°	APPD: 核准:	XIE	PART NO: 产品编号: HDGC1006WV-S-2xXP			
X.XX	±0.30	X.XX°	±2°	CHECK: 校对:	WANG	DATE	SCALE	UNIT	CODE NUMBER
X.XXX	±0.10	X.XXX°	±1°	DRAW: 绘图:	WANG	2015-07-06	8:1	mm	A008