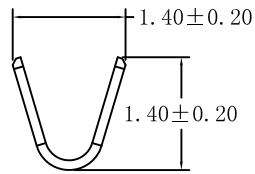
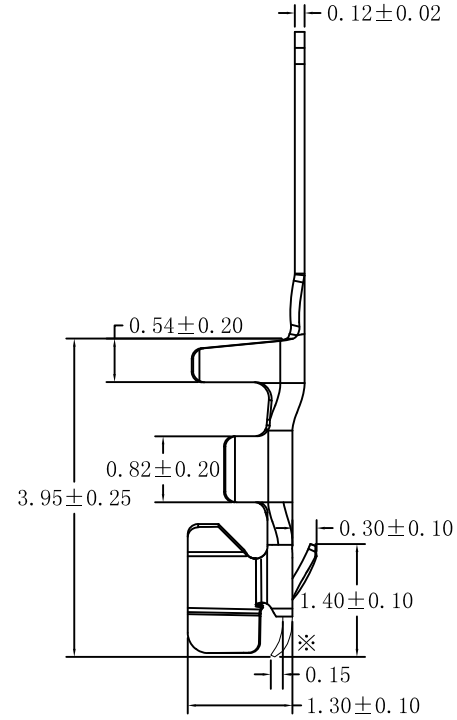
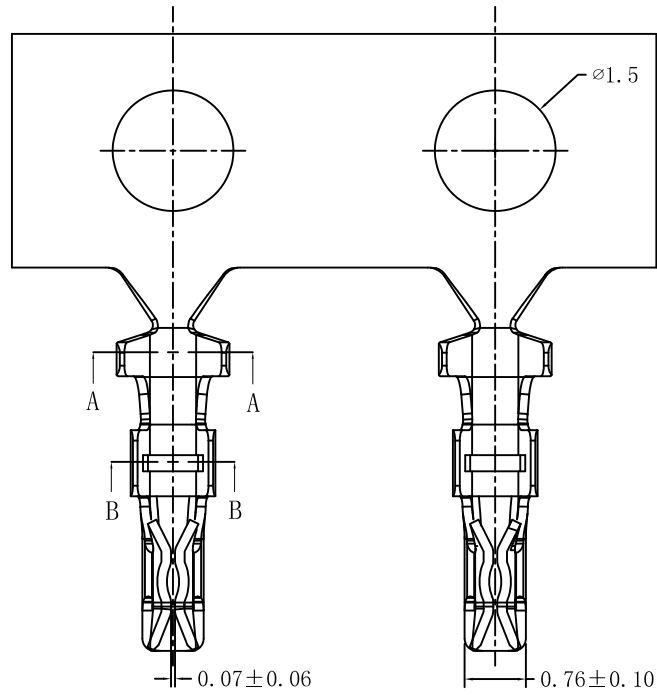
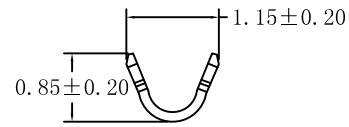


修订 REV	标记 MARK	修改摘要 REVISION DESCRIPTION	签名 SIGNATURE	日期 DATE
A0		NEW RELEASE	WANG	2018-02-10
A1	※	端子头部增加斜面，使端子插入更顺畅。	WANG	2020-12-22



SECTION A-A



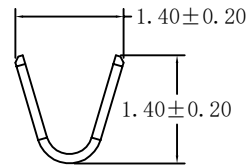
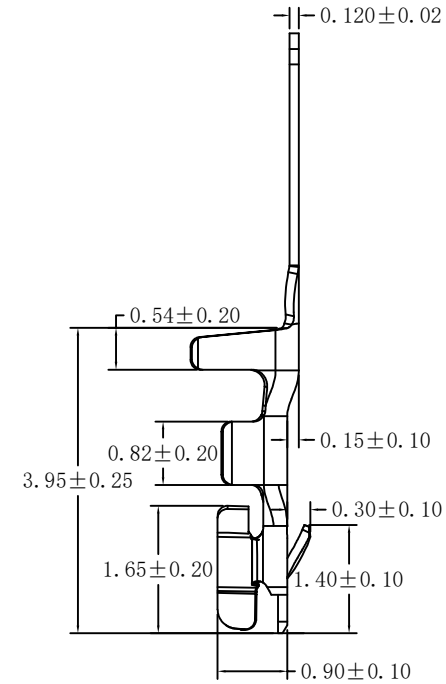
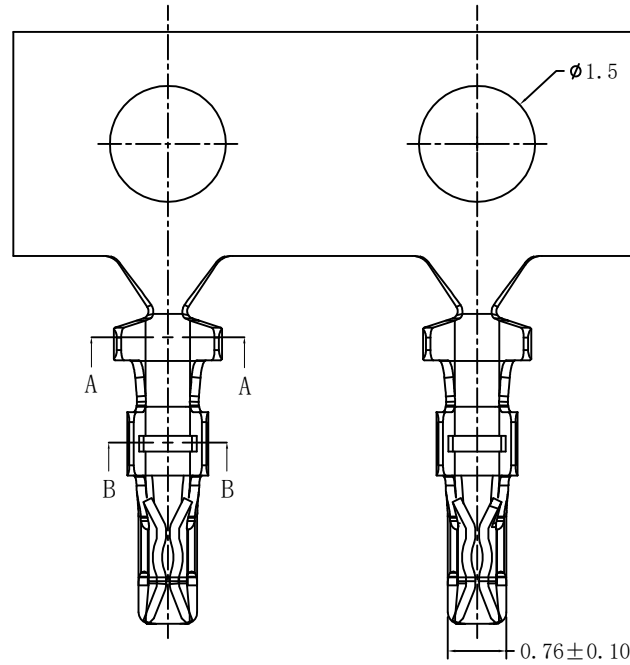
SECTION B-B

产品要求

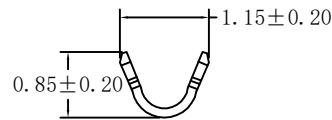
1. 材质要求：磷铜，C5191；材厚：T=0.12±0.02
2. 电镀要求：先冲后镀 镀全锡 Ni底

		<b>深圳市华德共创科技有限公司</b> Shenzhen Huade co-create Technology Co.,LTD TEL : 0755-27129737 FAX : 0755-29940187									
		-TOLERANCES- UNLESS OTHERWISE SPECIFIED 公差参数表				TITLE: 1.00mm Pitch 产品名称: Crimp Terminal					
X.X	±0.30	X.X°	±3°	APPD: 核准:	XIE			PART NO: 产品编号:	HDGC1002-T		
X.XX	±0.30	X.XX°	±2°	CHECK: 校对:	WANG			DATE	SCALE	UNIT	CODE NUMBER
X.XXX	±0.10	X.XXX°	±1°	DRAW: 绘图:	WANG			2020-12-22	10:1	mm	A001

修订 REV	标记 MARK	修改摘要 REVISION DESCRIPTION	签名 SIGNATURE	日期 DATE
AO		NEW RELEASE	WANG	2011-10-27



SECTION A-A



SECTION B-B

Ordering information & Specifications

Unit:mm

Part No	Wire Range	Insulation O.D.	Material	Finish	Qty/reel
HDGC1002A-TP	AWG#28-#32	0.80mm(max)	Phosphor Bronze	Tin over Nickel	20,000 PCS
HDGC1002A-GP	AWG#28-#32	0.80mm(max)	Phosphor Bronze	Gold over Nickel	20,000 PCS

Optional Gold plating available but MOQ requested



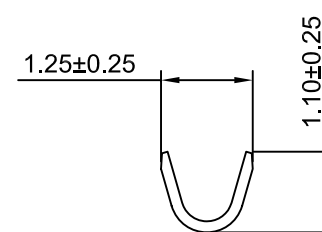
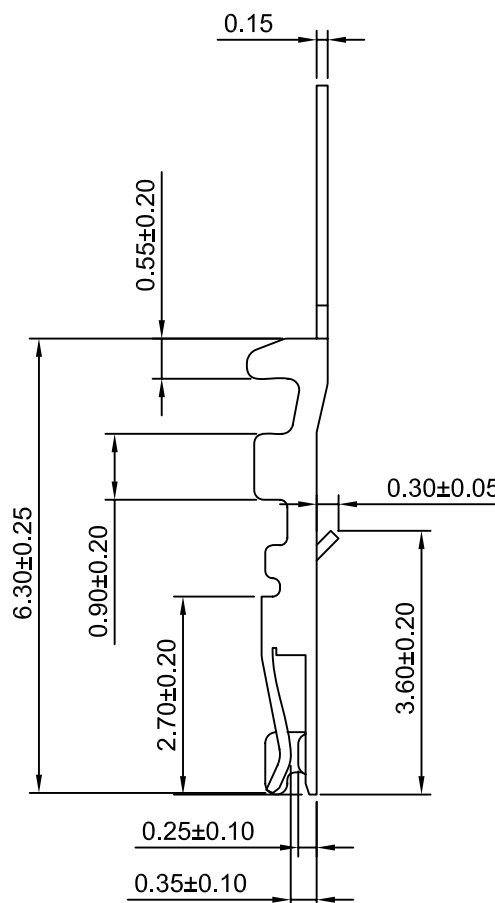
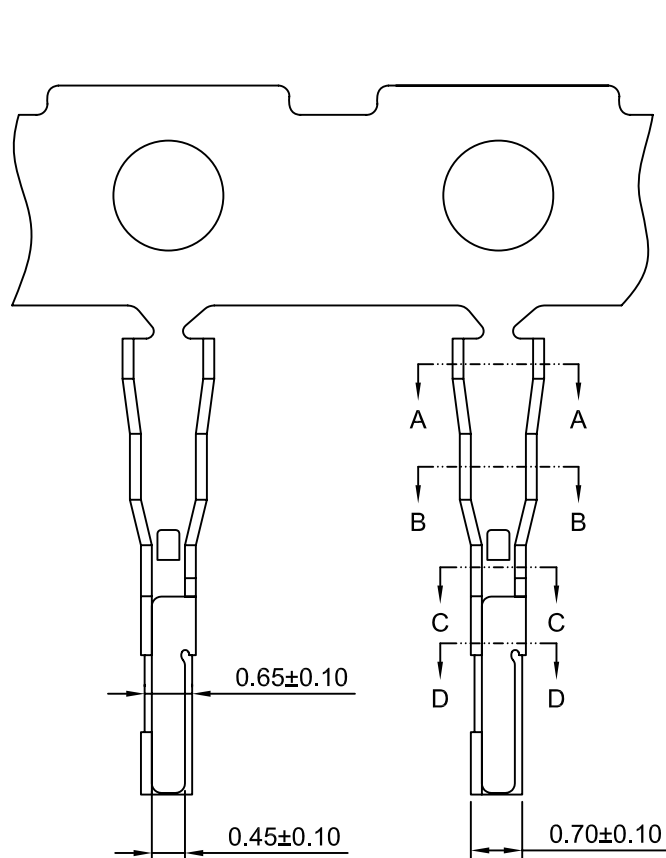
深圳市华德共创科技有限公司

Shenzhen Huade co-create Technology Co.,LTD

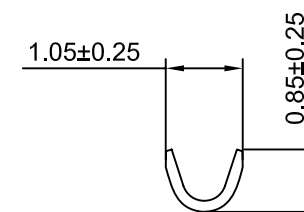
TEL : 0755-27129737 FAX : 0755-29940187

-TOLERANCES- UNLESS OTHERWISE SPECIFIED 公差参数表						TITLE: 1.00mm Pitch 产品名称: Crimp Terminal			
X.X	$\pm 0.30$	X.X°	$\pm 3^\circ$	APPD: 核准:	XIE	PART NO: 产品编号: HDGC1002A-T			
X.XX	$\pm 0.30$	X.XX°	$\pm 2^\circ$	CHECK: 校对:	WANG	DATE	SCALE	UNIT	CODE NUMBER
X.XXX	$\pm 0.10$	X.XXX°	$\pm 1^\circ$	DRAW: 绘图:	WANG	2011-10-27	10:1	mm	A001

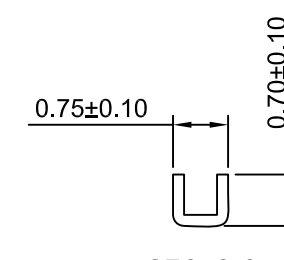
修订 REV	标记 MARK	修改摘要 REVISION DESCRIPTION	签名 SIGNATURE	日期 DATE
AO		NEW RELEASE	WANG	2013-04-01



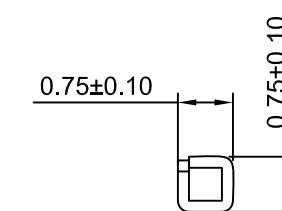
SEC:A-A



SEC:B-B



SEC:C-C



SEC:D-D

Ordering information & Specifications

Unit:mm

Part No	Wire Range	Insultion O.D.	Material	Finish	Qty/reel
HDGC1002C-TP	AWG#28-#32	0.80mm(max)	Phosphor Bronze	Tin over Nickel	20,000 PCS
HDGC1002C-GP	AWG#28-#32	0.80mm(max)	Phosphor Bronze	Gold over Nickel	20,000 PCS

Optional Gold plating available but MOQ requested



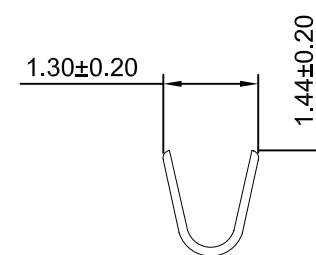
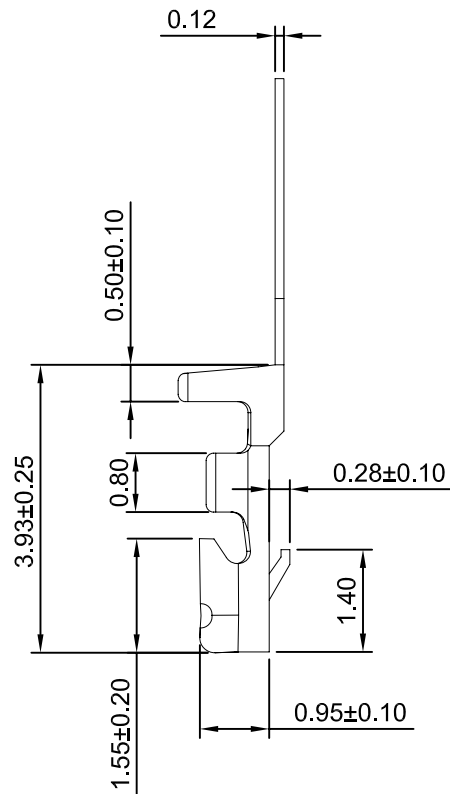
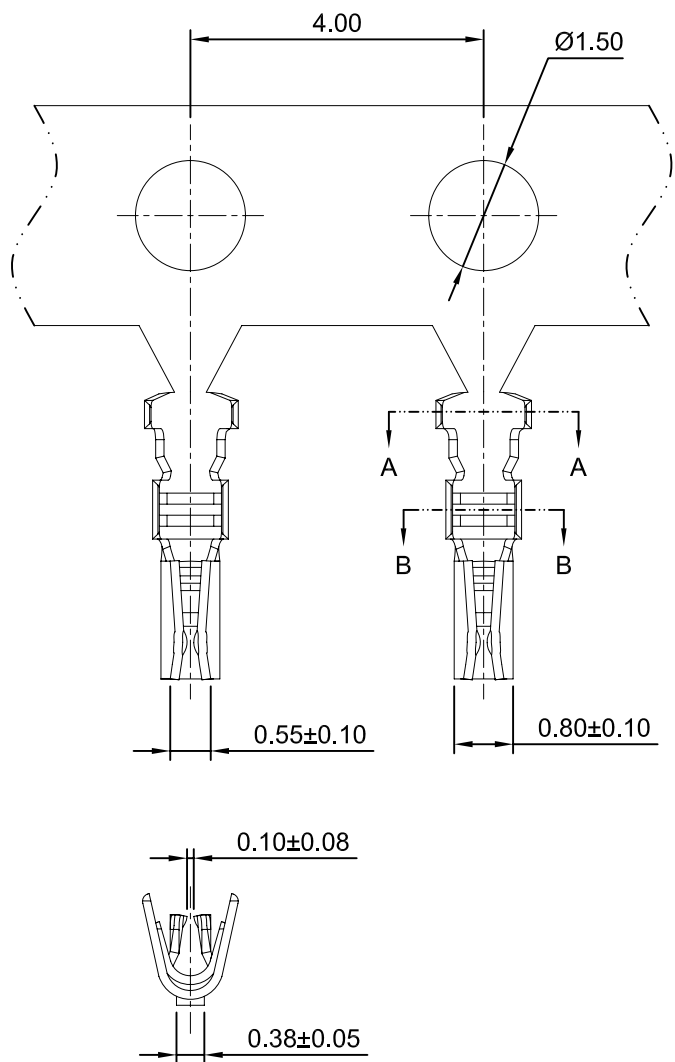
深圳市华德共创科技有限公司

Shenzhen Huade co-create Technology Co.,LTD

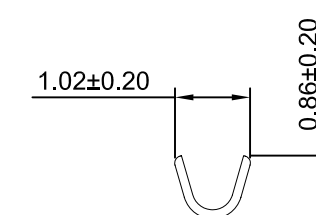
TEL : 0755-27129737 FAX : 0755-29940187

-TOLERANCES- UNLESS OTHERWISE SPECIFIED 公差参数表						TITLE: 1.00mm Pitch 产品名称: Crimp Terminal			
X.X	±0.30	X.X°	±3°	APPD: 核准:	XIE	PART NO: 产品编号: HDGC1002C-T			
X.XX	±0.30	X.XX°	±2°	CHECK: 校对:	WANG	DATE	SCALE	UNIT	CODE NUMBER
X.XXX	±0.10	X.XXX°	±1°	DRAW: 绘图:	WANG	2013-04-01	10:1	mm	A008

修订 REV	标记 MARK	修改摘要 REVISION DESCRIPTION	签名 SIGNATURE	日期 DATE
AO		NEW RELEASE	WANG	2013-02-10



SEC:A-A



SEC:B-B

Ordering information & Specifications

Unit:mm

Part No	Wire Range	Insulation O.D.	Material	Finish	Qty/reel
HDGC1002D-TP	AWG#28-#32	0.80mm(max)	Phosphor Bronze	Tin over Nickel	20,000 PCS
HDGC1002D-GP	AWG#28-#32	0.80mm(max)	Phosphor Bronze	Gold over Nickel	20,000 PCS

Optional Gold plating available but MOQ requested



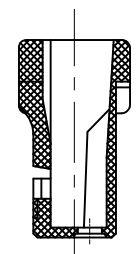
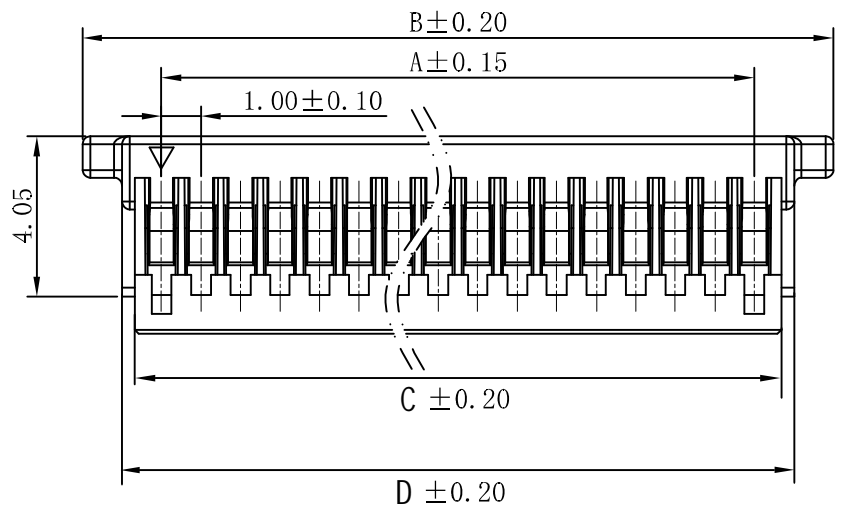
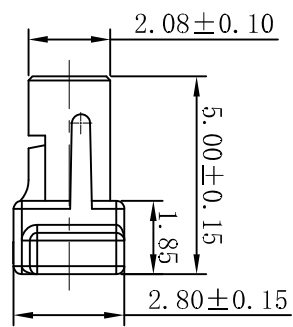
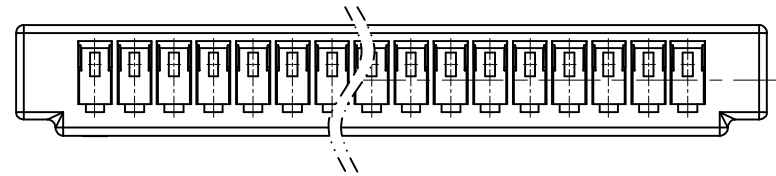
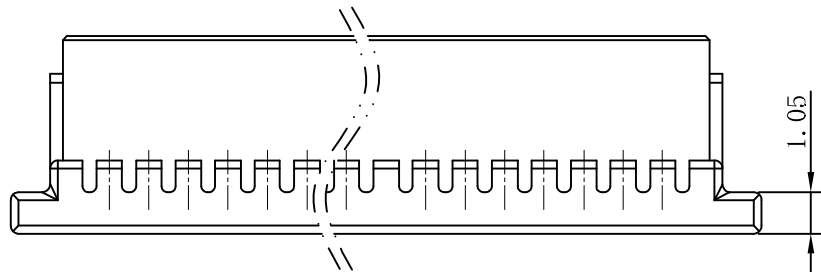
深圳市华德共创科技有限公司

Shenzhen Huade co-create Technology Co.,LTD

TEL : 0755-27129737 FAX : 0755-29940187

-TOLERANCES- UNLESS OTHERWISE SPECIFIED 公差参数表						TITLE: 1.00mm Pitch 产品名称: Crimp Terminal			
X.X	±0.30	X.X°	±3°	APPD: 核准:	XIE	PART NO: 产品编号: HDGC1002D-T			
X.XX	±0.30	X.XX°	±2°	CHECK: 校对:	WANG	DATE	SCALE	UNIT	CODE NUMBER
X.XXX	±0.10	X.XXX°	±1°	DRAW: 绘图:	WANG	2013-02-10	10:1	mm	A008

修订 REV	标记 MARK	修改摘要 REVISION DESCRIPTION	签名 SIGNATURE	日期 DATE
A0		NEW RELEASE	WANG	2011-10-27
A1		REVISE	WANG	2020-11-17



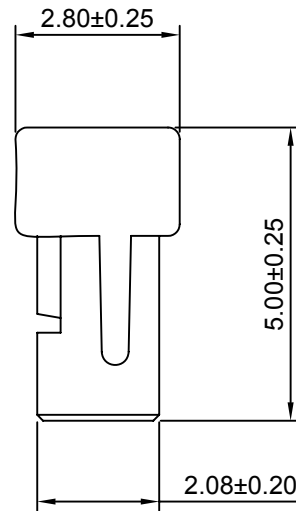
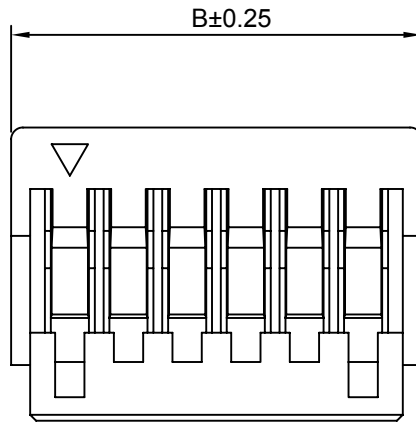
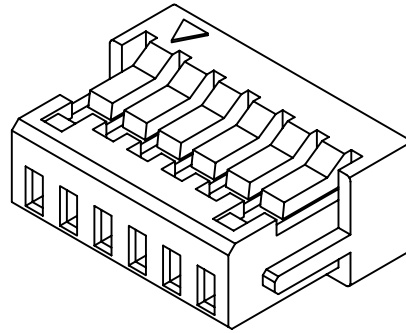
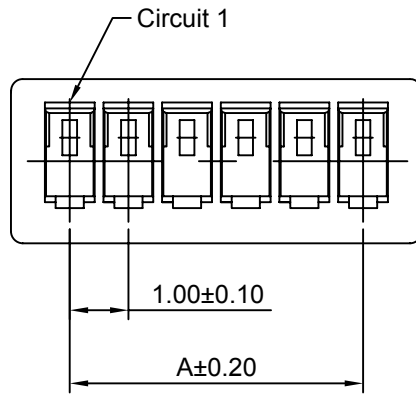
PART NO.	A	B	C	D
HDGC1002H-02P	1.00	5.00	2.35	3.00
HDGC1002H-03P	2.00	6.00	3.35	4.00
HDGC1002H-04P	3.00	7.00	4.35	5.00
HDGC1002H-05P	4.00	8.00	5.35	6.00
HDGC1002H-06P	5.00	9.00	6.35	7.00
HDGC1002H-07P	6.00	10.00	7.35	8.00
HDGC1002H-08P	7.00	11.00	8.35	9.00
HDGC1002H-09P	8.00	12.00	9.35	10.00
HDGC1002H-10P	9.00	13.00	10.35	11.00
HDGC1002H-11P	10.00	14.00	11.35	12.00
HDGC1002H-12P	11.00	15.00	12.35	13.00
HDGC1002H-13P	12.00	16.00	13.35	14.00
HDGC1002H-14P	13.00	17.00	14.35	15.00
HDGC1002H-15P	14.00	18.00	15.35	16.00
HDGC1002H-16P	15.00	19.00	16.35	17.00
HDGC1002H-20P	19.00	23.00	20.35	21.00

**SPECIFICATIONS:**  
 Current Rating: 1A AC,DC  
 Voltage Rating: 50V AC,DC  
 Temperature Range: -25°C ~ +85°C  
 Contact Resistance: 20MΩ Max.  
 Insulation Resistance: 100MΩ Min.  
 Withstanding Voltage: 500V AC/minute  
 Material: Nylon 66,UL94V-0(White)

**深圳市华德共创科技有限公司**  
 Shenzhen Huade co-create Technology Co.,LTD  
 TEL : 0755-27129737 FAX : 0755-29940187

-TOLERANCES- UNLESS OTHERWISE SPECIFIED 公差参数表						TITLE: 产品名称 : 1.00mm Pitch Housing			
X.X	±0.30	X.X°	±3°	APPD: 核准:	XIE	PART NO: 产品编号 : HDGC1002H-XP			
X.XX	±0.30	X.XX°	±2°	CHECK: 校对:	WANG	DATE	SCALE	UNIT	CODE NUMBER
X.XXX	±0.10	X.XXX°	±1°	DRAW: 绘图:	WANG	2020-11-17	5:1	mm	A001

修订 REV	标记 MARK	修改摘要 REVISION DESCRIPTION	签名 SIGNATURE	日期 DATE
AO		NEW RELEASE	WANG	2017-02-10



#### Ordering Information & Dimensions

Circuits	Dimensions(mm)		Circuits	Dimensions(mm)	
	A	B		A	B
2P	1.00	3.00	12P	11.00	13.00
3P	2.00	4.00	13P	12.00	14.00
4P	3.00	5.00	14P	13.00	15.00
5P	4.00	6.00	15P	14.00	16.00
6P	5.00	7.00	16P	15.00	17.00
7P	6.00	8.00	17P	16.00	18.00
8P	7.00	9.00	18P	17.00	19.00
9P	8.00	10.00	19P	18.00	20.00
10P	9.00	11.00	20P	19.00	21.00
11P	10.00	12.00			

#### SPECIFICATIONS:

Current Rating: 1A AC,DC  
 Voltage Rating: 50V AC,DC  
 Temperature Range: -25°C ~ +85°C  
 Contact Resistance: 20MΩ Max.  
 Insulation Resistance: 100MΩ Min.  
 Withstanding Voltage: 500V AC/minute  
 Material: PBT,UL94V-0(White)

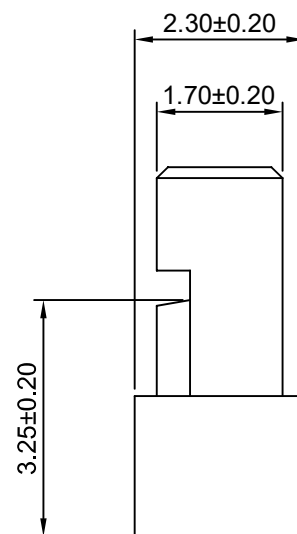
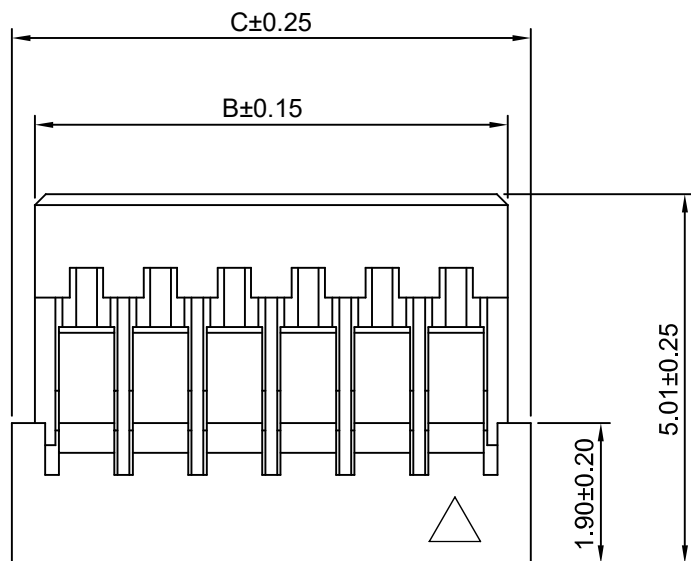
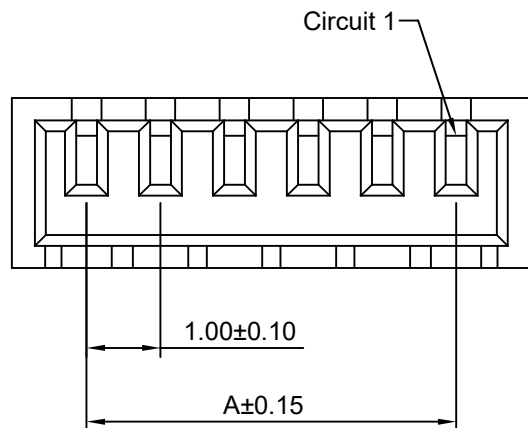
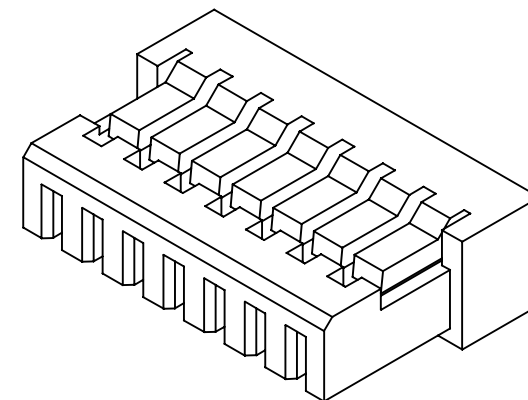


深圳市华德共创科技有限公司

Shenzhen Huade co-create Technology Co.,LTD  
 TEL : 0755-27129737 FAX : 0755-29940187

-TOLERANCES- UNLESS OTHERWISE SPECIFIED 公差参数表						TITLE: 产品名称 : 1.00mm Pitch Housing			
X.X	±0.30	X.X°	±3°	APPD: 核准:	XIE	PART NO: 产品编号 : HDGC1002H-XP-2			
X.XX	±0.30	X.XX°	±2°	CHECK: 校对:	WANG	DATE	SCALE	UNIT	CODE NUMBER
X.XXX	±0.10	X.XXX°	±1°	DRAW: 绘图:	WANG	2017-02-10	8:1	mm	A008

修订 REV	标记 MARK	修改摘要 REVISION DESCRIPTION	签名 SIGNATURE	日期 DATE
AO		NEW RELEASE	WANG	2017-02-10



Ordering Information & Dimensions

Circuits	Dimensions(mm)			Circuits	Dimensions(mm)		
	A	B	C		A	B	C
2P	1.00	2.40	3.00	12P	11.00	12.40	13.00
3P	2.00	3.40	4.00	13P	12.00	13.40	14.00
4P	3.00	4.40	5.00	14P	13.00	14.40	15.00
5P	4.00	5.40	6.00	15P	14.00	15.40	16.00
6P	5.00	6.40	7.00	16P	15.00	16.40	17.00
7P	6.00	7.40	8.00	17P	16.00	17.40	18.00
8P	7.00	8.40	9.00	18P	17.00	18.40	19.00
9P	8.00	9.40	10.00	19P	18.00	19.40	20.00
10P	9.00	10.40	11.00	20P	19.00	20.40	21.00
11P	10.00	11.40	12.00				

**SPECIFICATIONS:**

Current Rating: 1A AC,DC  
Voltage Rating: 50V AC,DC  
Temperature Range: -25°C ~ +85°C  
Contact Resistance: 20MΩ Max.  
Insulation Resistance: 100MΩ Min.  
Withstanding Voltage: 500V AC/minute  
Material: PBT,UL94V-0(White)



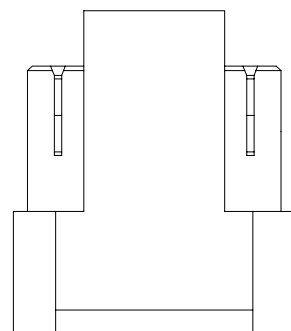
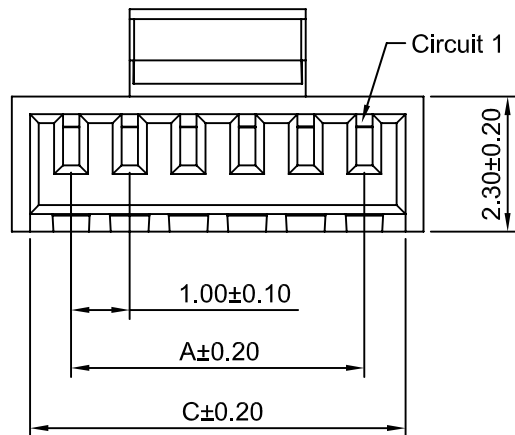
深圳市华德共创科技有限公司

Shenzhen Huade co-create Technology Co.,LTD

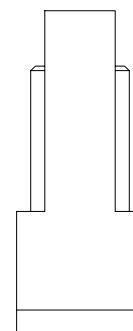
TEL : 0755-27129737 FAX : 0755-29940187

-TOLERANCES- UNLESS OTHERWISE SPECIFIED 公差参数表						TITLE: 产品名称 : 1.00mm Pitch Housing			
X.X	±0.30	X.X°	±3°	APPD: 核准 :	XIE	PART NO: 产品编号 : HDGC1002HA-XP			
X.XX	±0.30	X.XX°	±2°	CHECK: 校对 :	WANG	DATE	SCALE	UNIT	CODE NUMBER
X.XXX	±0.10	X.XXX°	±1°	DRAW: 绘图 :	WANG	2017-02-10	10:1	mm	A008

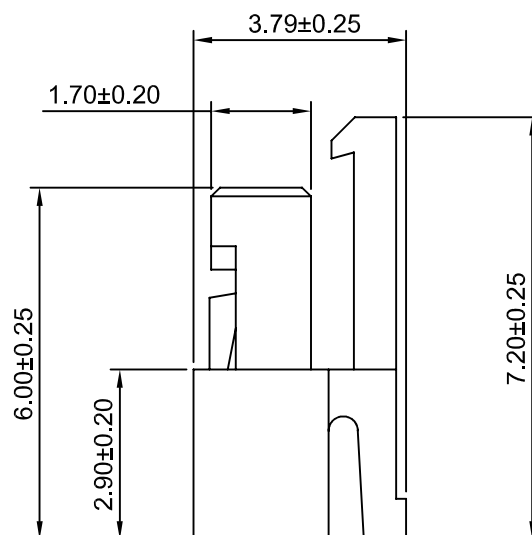
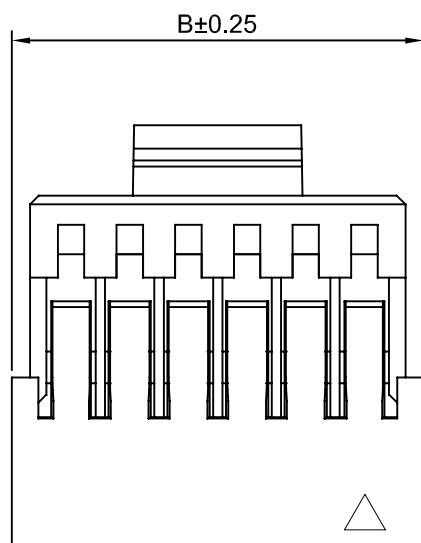
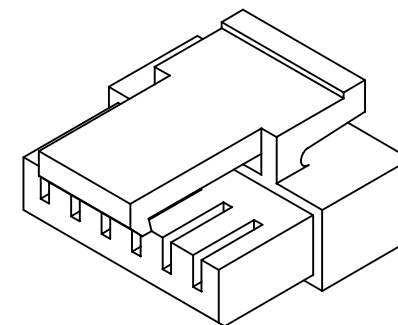
修订 REV	标记 MARK	修改摘要 REVISION DESCRIPTION	签名 SIGNATURE	日期 DATE
AO		NEW RELEASE	WANG	2017-02-10



4~20P



2~3P



Ordering Information & Dimensions

Circuits	Dimensions(mm)			Circuits	Dimensions(mm)		
	A	B	C		A	B	C
2P	1.00	3.00	2.40	12P	11.00	13.00	12.40
3P	2.00	4.00	3.40	13P	12.00	14.00	13.40
4P	3.00	5.00	4.40	14P	13.00	15.00	14.40
5P	4.00	6.00	5.40	15P	14.00	16.00	15.40
6P	5.00	7.00	6.40	16P	15.00	17.00	16.40
7P	6.00	8.00	7.40	17P	16.00	18.00	17.40
8P	7.00	9.00	8.40	18P	17.00	19.00	18.40
9P	8.00	10.00	9.40	19P	18.00	20.00	19.40
10P	9.00	11.00	10.40	20P	19.00	21.00	20.40
11P	10.00	12.00	11.40				

SPECIFICATIONS:

Current Rating: 1A AC,DC  
Voltage Rating: 50V AC,DC  
Temperature Range: -25°C ~ +85°C  
Contact Resistance: 20MΩ Max.  
Insulation Resistance: 100MΩ Min.  
Withstanding Voltage: 500V AC/minute  
Material: Nylon 66, UL94V-0(White)



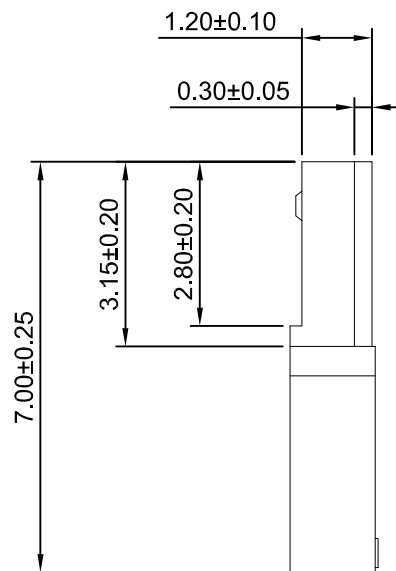
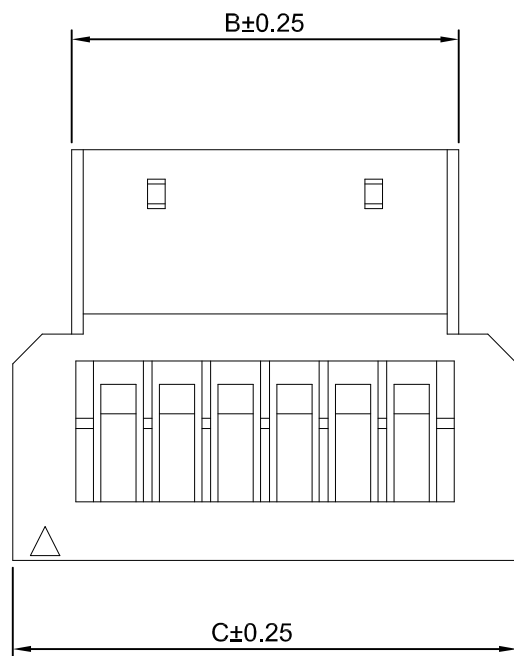
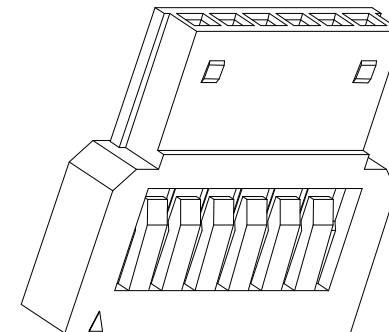
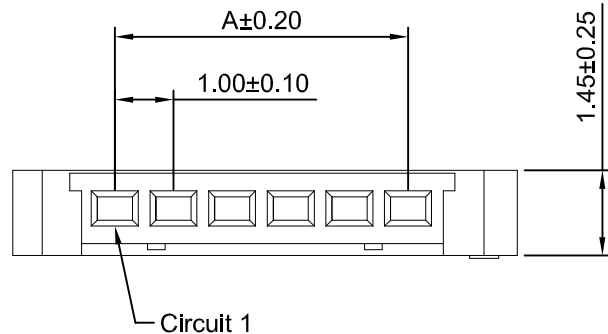
深圳市华德共创科技有限公司

Shenzhen Huade co-create Technology Co.,LTD

TEL : 0755-27129737 FAX : 0755-29940187

-TOLERANCES- UNLESS OTHERWISE SPECIFIED 公差参数表						TITLE: 产品名称: 1.00mm Pitch Housing			
X.X	±0.30	X.X°	±3°	APPD: 核准:	XIE	PART NO: 产品编号: HDGC1002HB-XP			
X.XX	±0.30	X.XX°	±2°	CHECK: 校对:	WANG	DATE	SCALE	UNIT	CODE NUMBER
X.XXX	±0.10	X.XXX°	±1°	DRAW: 绘图:	WANG	2017-02-10	8:1	mm	A008

修订 REV	标记 MARK	修改摘要 REVISION DESCRIPTION	签名 SIGNATURE	日期 DATE
AO		NEW RELEASE	WANG	2017-02-10



Ordering Information & Dimensions

Circuits	Dimensions(mm)		
	A	B	C
4P	3.00	4.60	6.60
6P	5.00	6.60	8.60

**SPECIFICATIONS:**  
 Current Rating: 1A AC,DC  
 Voltage Rating: 50V AC,DC  
 Temperature Range: -25°C ~ +85°C  
 Contact Resistance: 20mΩ Max.  
 Insulation Resistance: 100MΩ Min.  
 Withstanding Voltage: 500V AC/minute  
 Material:Nylon 46,UL94V-0(White)

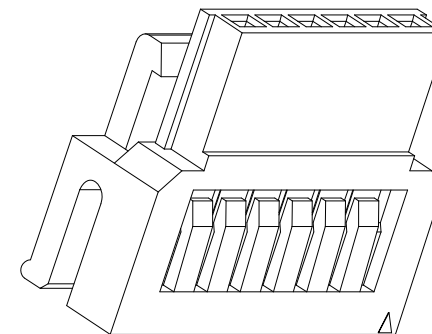
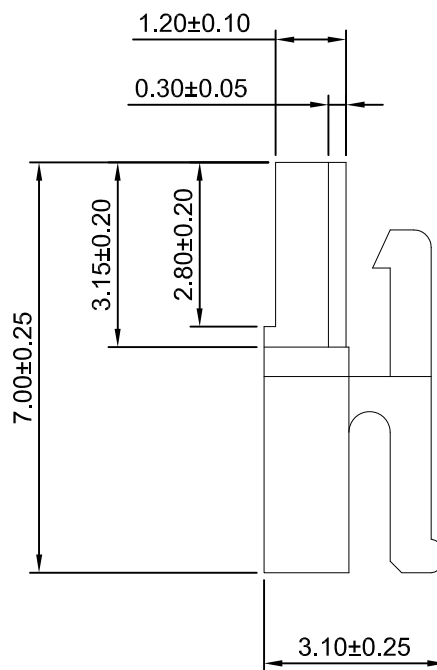
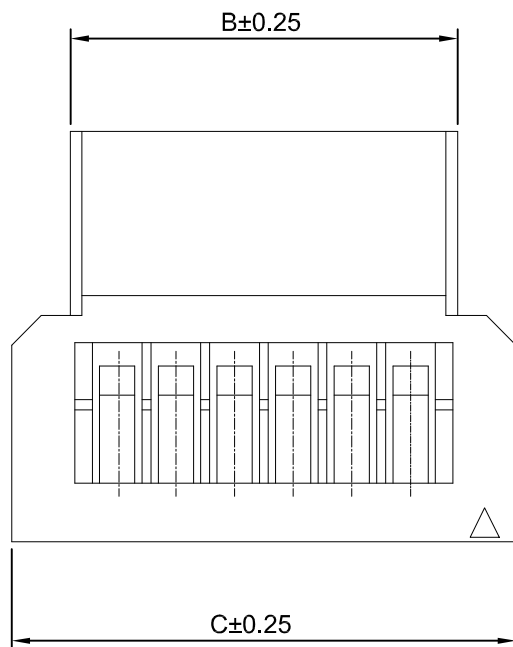
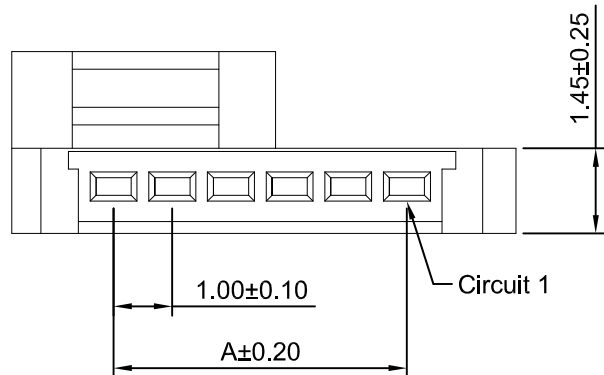


深圳市华德共创科技有限公司

Shenzhen Huade co-create Technology Co.,LTD  
 TEL : 0755-27129737 FAX : 0755-29940187

-TOLERANCES- UNLESS OTHERWISE SPECIFIED 公差参数表						TITLE: 产品名称 : 1.00mm Pitch Housing			
X.X	±0.30	X.X°	±3°	APPD: 核准:	XIE	PART NO: 产品编号 : HDGC1002HC-XP			
X.XX	±0.30	X.XX°	±2°	CHECK: 校对:	WANG	DATE	SCALE	UNIT	CODE NUMBER
X.XXX	±0.10	X.XXX°	±1°	DRAW: 绘图:	WANG	2017-02-10	8:1	mm	A008

修订 REV	标记 MARK	修改摘要 REVISION DESCRIPTION	签名 SIGNATURE	日期 DATE
AO		NEW RELEASE	WANG	2017-02-10



Ordering Information & Dimensions

Circuits	Dimensions(mm)		
	A	B	C
4P	3.00	4.60	6.60
6P	5.00	6.60	8.60

**SPECIFICATIONS:**  
 Current Rating: 1A AC,DC  
 Voltage Rating: 50V AC,DC  
 Temperature Range: -25°C ~ +85°C  
 Contact Resistance: 20mΩ Max.  
 Insulation Resistance: 100MΩ Min.  
 Withstanding Voltage: 500V AC/minute  
 Material:Nylon 46,UL94V-0(Ivory)

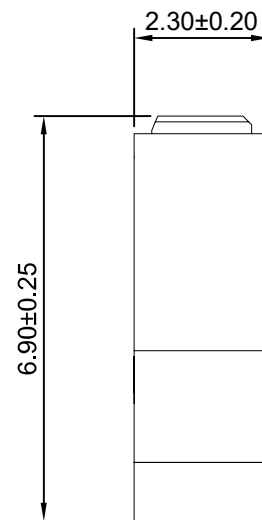
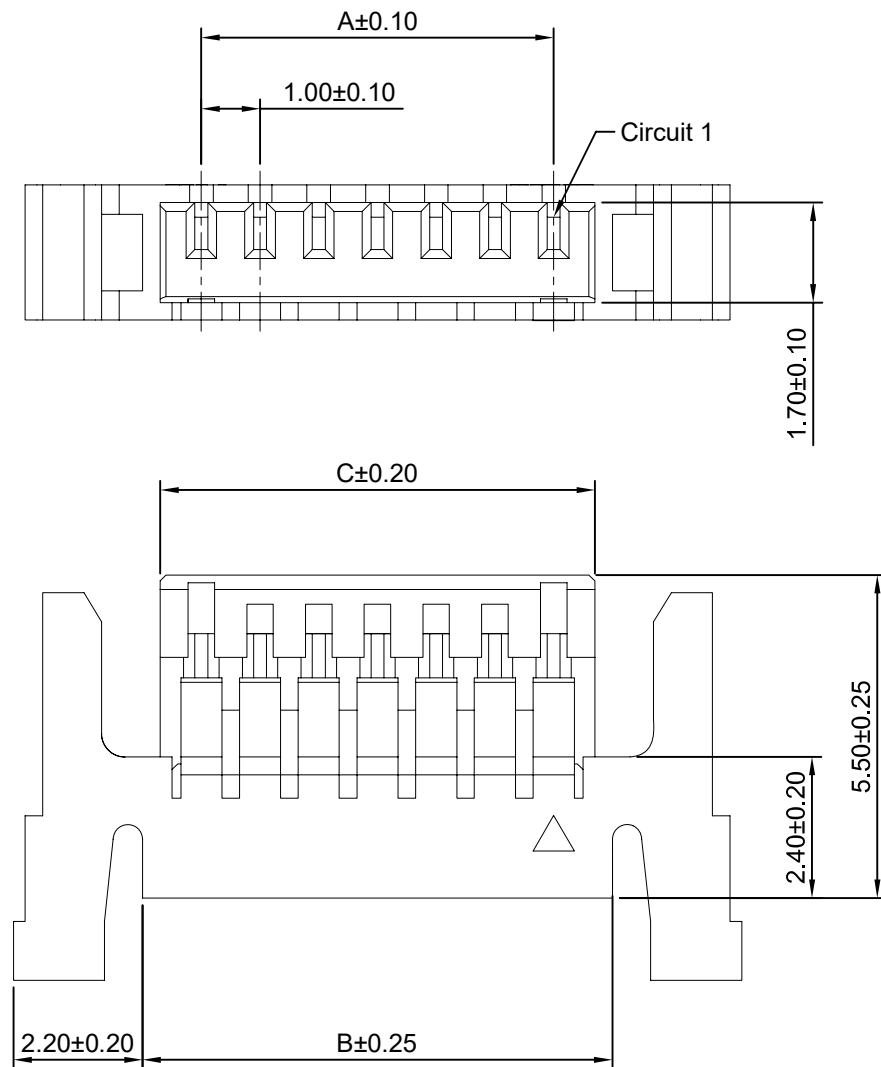


深圳市华德共创科技有限公司

Shenzhen Huade co-create Technology Co.,LTD  
 TEL : 0755-27129737 FAX : 0755-29940187

-TOLERANCES- UNLESS OTHERWISE SPECIFIED 公差参数表						TITLE: 产品名称 : 1.00mm Pitch Housing			
X.X	±0.30	X.X°	±3°	APPD: 核准:	XIE	PART NO: 产品编号 : HDGC1002HD-XP			
X.XX	±0.30	X.XX°	±2°	CHECK: 校对:	WANG	DATE	SCALE	UNIT	CODE NUMBER
X.XXX	±0.10	X.XXX°	±1°	DRAW: 绘图:	WANG	2017-02-10	8:1	mm	A008

修订 REV	标记 MARK	修改摘要 REVISION DESCRIPTION	签名 SIGNATURE	日期 DATE
AO		NEW RELEASE	WANG	2017-02-10



Ordering Information & Dimensions

Circuits	Dimensions(mm)			Circuits	Dimensions(mm)		
	A	B	C		A	B	C
2P	1.00	3.00	2.40	12P	11.00	13.00	12.40
3P	2.00	4.00	3.40	13P	12.00	14.00	13.40
4P	3.00	5.00	4.40	14P	13.00	15.00	14.40
5P	4.00	6.00	5.40	15P	14.00	16.00	15.40
6P	5.00	7.00	6.40	16P	15.00	17.00	16.40
7P	6.00	8.00	7.40	17P	16.00	18.00	17.40
8P	7.00	9.00	8.40	18P	17.00	19.00	18.40
9P	8.00	10.00	9.40	19P	18.00	20.00	19.40
10P	9.00	11.00	10.40	20P	19.00	21.00	20.40
11P	10.00	12.00	11.40				

**SPECIFICATIONS:**

Current Rating: 1A AC,DC  
Voltage Rating: 50V AC,DC  
Temperature Range: -25°C ~ +85°C  
Contact Resistance: 20MΩ Max.  
Insulation Resistance: 100MΩ Min.  
Withstanding Voltage: 500V AC/minute  
Material: Nylon 66,UL94V-0(White)

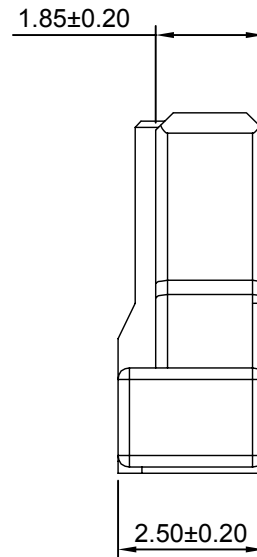
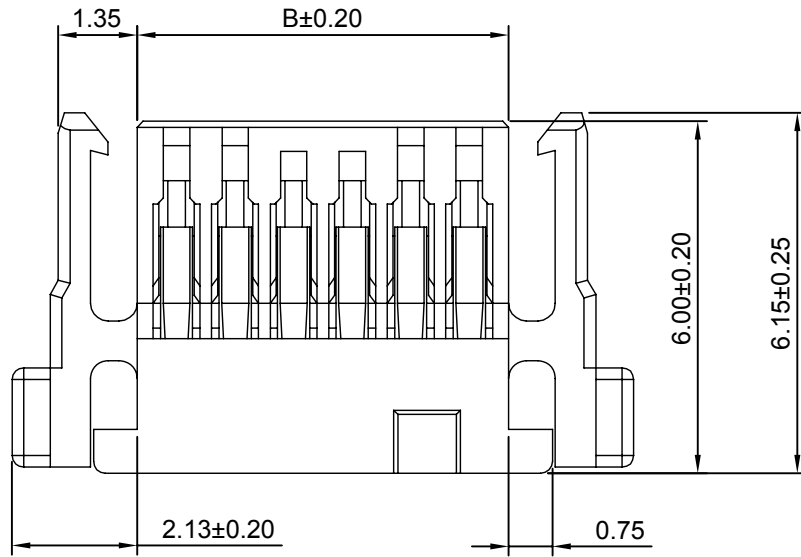
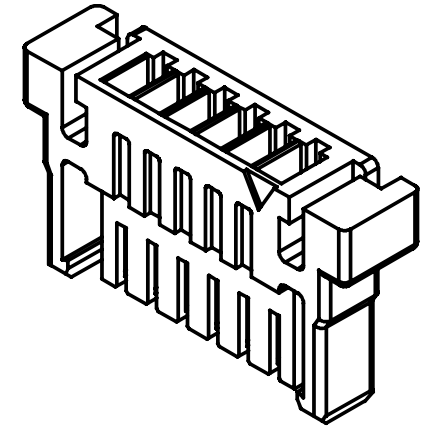
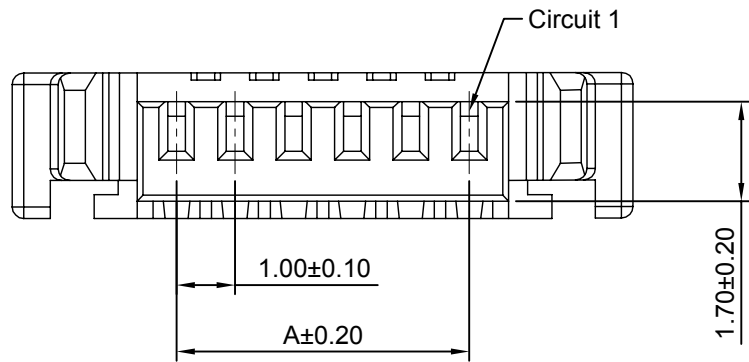


深圳市华德共创科技有限公司

Shenzhen Huade co-create Technology Co.,LTD  
TEL : 0755-27129737 FAX : 0755-29940187

-TOLERANCES- UNLESS OTHERWISE SPECIFIED 公差参数表						TITLE: 产品名称 : 1.00mm Pitch Housing			
X.X	±0.30	X.X°	±3°	APPD: 核准:	XIE	PART NO: 产品编号 : HDGC1002HE-XP			
X.XX	±0.30	X.XX°	±2°	CHECK: 校对:	WANG	DATE	SCALE	UNIT	CODE NUMBER
X.XXX	±0.10	X.XXX°	±1°	DRAW: 绘图:	WANG	2017-02-10	8:1	mm	A008

修订 REV	标记 MARK	修改摘要 REVISION DESCRIPTION	签名 SIGNATURE	日期 DATE
AO		NEW RELEASE	WANG	2017-02-10



Ordering Information & Dimensions

Circuits	Dimensions(mm)		Circuits	Dimensions(mm)	
	A	B		A	B
2P	1.00	2.30	12P	11.00	12.30
3P	2.00	3.30	13P	12.00	13.30
4P	3.00	4.30	14P	13.00	14.30
5P	4.00	5.30	15P	14.00	15.30
6P	5.00	6.30	16P	15.00	16.30
7P	6.00	7.30	17P	16.00	17.30
8P	7.00	8.30	18P	17.00	18.30
9P	8.00	9.30	19P	18.00	19.30
10P	9.00	10.30	20P	19.00	20.30
11P	10.00	11.30			

**SPECIFICATIONS:**

Current Rating: 1A AC,DC  
Voltage Rating: 50V AC,DC  
Temperature Range: -25°C ~ +85°C  
Contact Resistance: 20MΩ Max.  
Insulation Resistance: 100MΩ Min.  
Withstanding Voltage: 500V AC/minute  
Material: Nylon 66,UL94V-0(White)

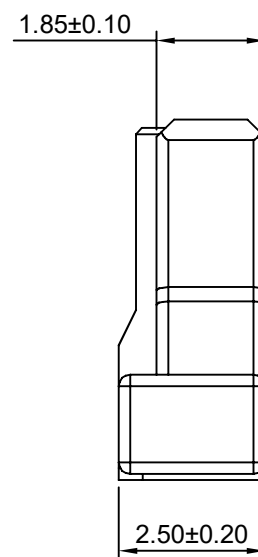
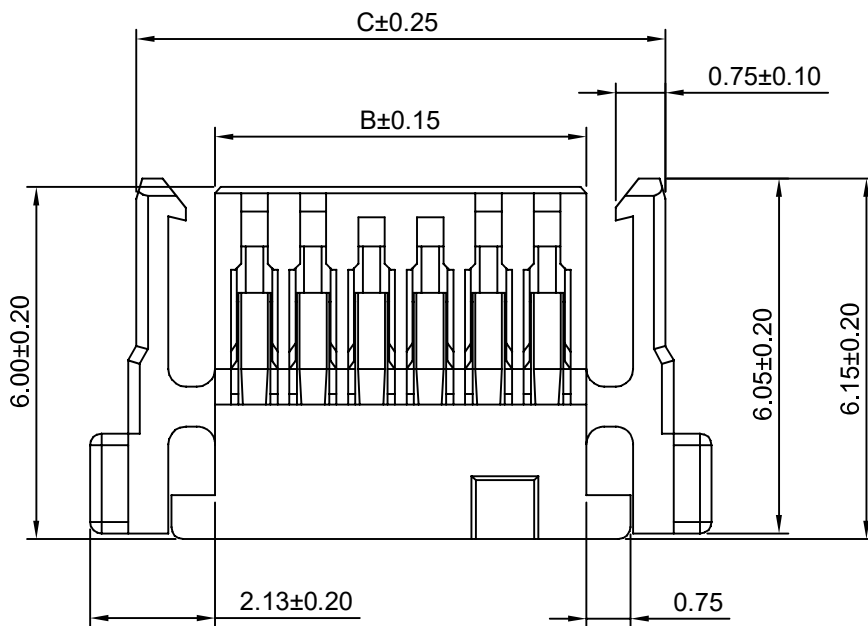
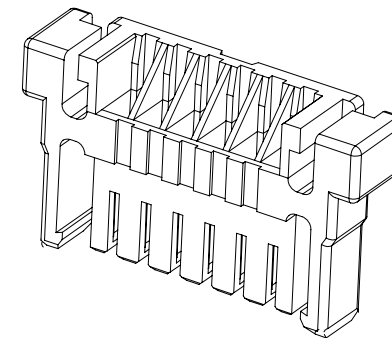
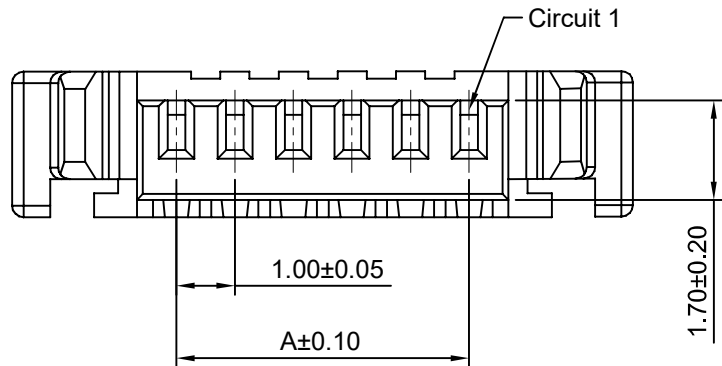


深圳市华德共创科技有限公司

Shenzhen Huade co-create Technology Co.,LTD  
TEL : 0755-27129737 FAX : 0755-29940187

-TOLERANCES- UNLESS OTHERWISE SPECIFIED 公差参数表						TITLE: 产品名称 : 1.00mm Pitch Housing			
X.X	±0.30	X.X°	±3°	APPD: 核准:	XIE	PART NO: 产品编号 : HDGC1002HG-XP			
X.XX	±0.30	X.XX°	±2°	CHECK: 校对:	WANG	DATE	SCALE	UNIT	CODE NUMBER
X.XXX	±0.10	X.XXX°	±1°	DRAW: 绘图:	WANG	2017-02-10	8:1	mm	A008

修订 REV	标记 MARK	修改摘要 REVISION DESCRIPTION	签名 SIGNATURE	日期 DATE
AO		NEW RELEASE	WANG	2017-02-10



Ordering Information & Dimensions

Circuits	Dimensions(mm)		Circuits	Dimensions(mm)	
	A	B		A	B
2P	1.00	2.30	12P	11.00	12.30
3P	2.00	3.30	13P	12.00	13.30
4P	3.00	4.30	14P	13.00	14.30
5P	4.00	5.30	15P	14.00	15.30
6P	5.00	6.30	16P	15.00	16.30
7P	6.00	7.30	17P	16.00	17.30
8P	7.00	8.30	18P	17.00	18.30
9P	8.00	9.30	19P	18.00	19.30
10P	9.00	10.30	20P	19.00	20.30
11P	10.00	11.30			

**SPECIFICATIONS:**

Current Rating: 1A AC,DC  
Voltage Rating: 50V AC,DC  
Temperature Range: -25°C ~ +85°C  
Contact Resistance: 20MΩ Max.  
Insulation Resistance: 100MΩ Min.  
Withstanding Voltage: 500V AC/minute  
Material: Nylon 66,UL94V-0(White)

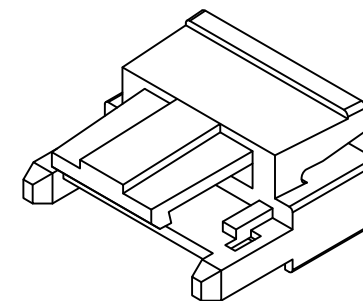
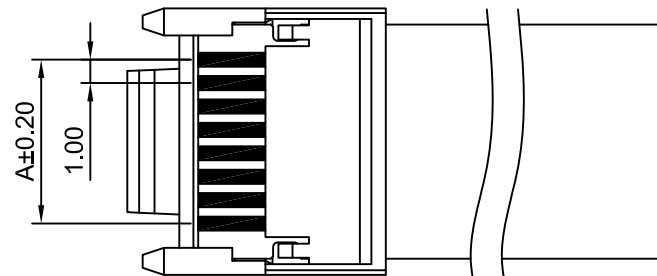
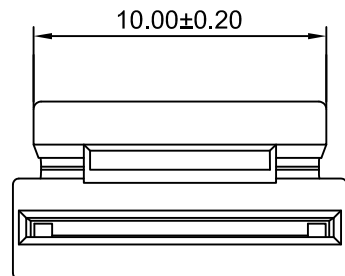


**深圳市华德共创科技有限公司**

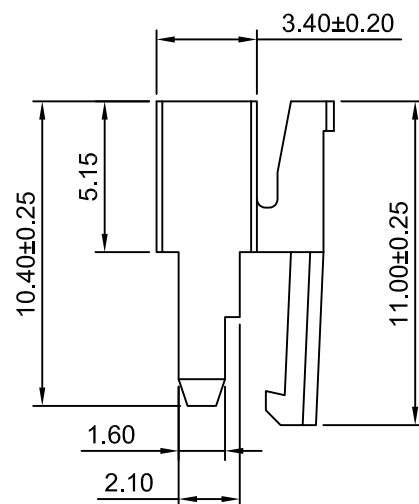
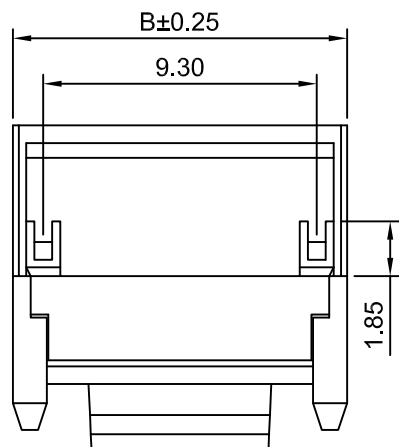
Shenzhen Huade co-create Technology Co.,LTD  
TEL : 0755-27129737 FAX : 0755-29940187

-TOLERANCES- UNLESS OTHERWISE SPECIFIED 公差参数表						TITLE: 产品名称: 1.00mm Pitch Housing			
X.X	±0.30	X.X°	±3°	APPD: 核准:	XIE	PART NO: 产品编号: HDGC1002HI -XP			
X.XX	±0.30	X.XX°	±2°	CHECK: 校对:	WANG	DATE	SCALE	UNIT	CODE NUMBER
X.XXX	±0.10	X.XXX°	±1°	DRAW: 绘图:	WANG	2017-02-10	8:1	mm	A008

修订 REV	标记 MARK	修改摘要 REVISION DESCRIPTION	签名 SIGNATURE	日期 DATE
AO		NEW RELEASE	WANG	2017-02-10



The FPC cable into  
the schematic diagram

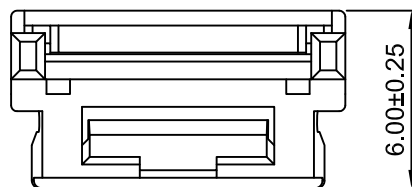


Ordering Information & Dimensions

Circuits	Dimensions(mm)		Circuits	Dimensions(mm)	
	A	B		A	B
4P	3.00	7.35	13P	12.00	16.35
5P	4.00	8.35	14P	13.00	17.35
6P	5.00	9.35	15P	14.00	18.35
7P	6.00	10.35	16P	15.00	19.35
8P	7.00	11.35	17P	16.00	20.35
9P	8.00	12.35	18P	17.00	21.35
10P	9.00	13.35	19P	18.00	22.35
11P	10.00	14.35	20P	19.00	23.35
12P	11.00	15.35	20P	29.00	33.35

SPECIFICATIONS:

Current Rating: 1A AC,DC  
Voltage Rating: 150V AC,DC  
Temperature Range: -25°C ~ +85°C  
Contact Resistance: 30mΩ Max.  
Insulation Resistance: 500MΩ Min.  
Withstanding Voltage: 500V AC/minute  
Material: Nylon 66, UL94V-0(Black)

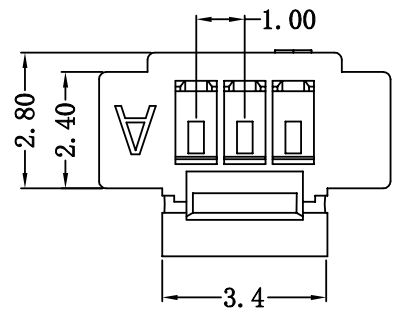
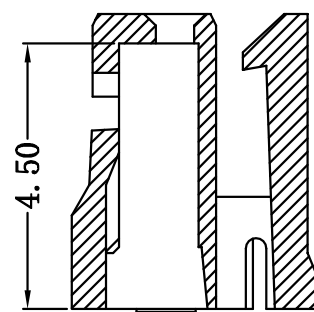
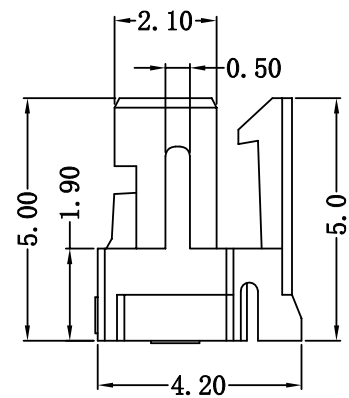
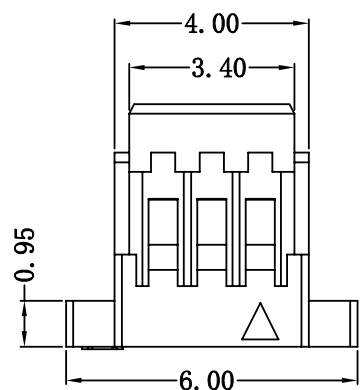
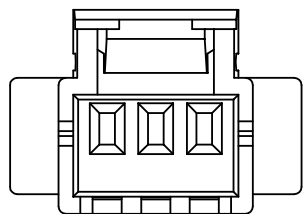




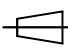
深圳市华德共创科技有限公司

Shenzhen Huade co-create Technology Co.,LTD  
TEL : 0755-27129737 FAX : 0755-29940187

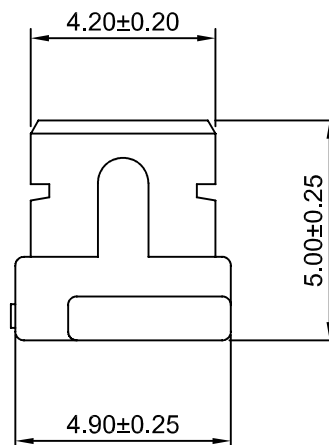
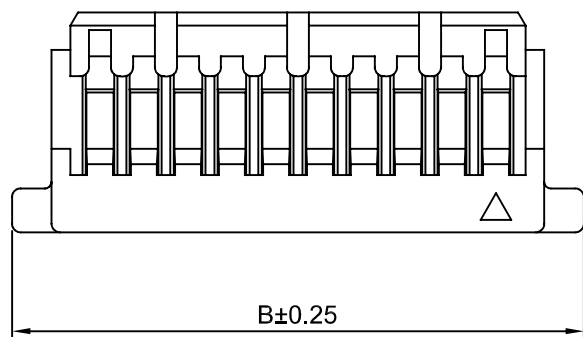
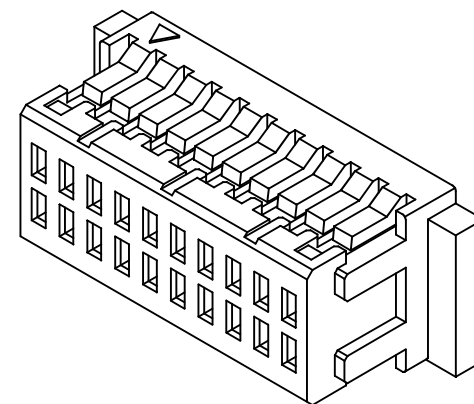
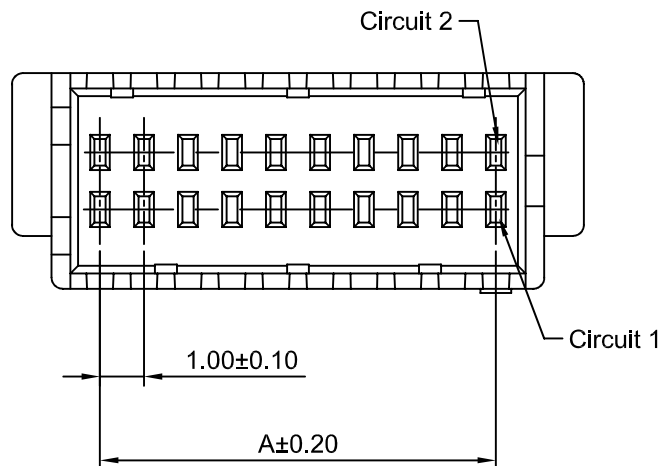
-TOLERANCES- UNLESS OTHERWISE SPECIFIED 公差参数表						TITLE: 产品名称: 1.00mm Pitch Housing			
X.X	±0.30	X.X°	±3°	APPD: 核准:	XIE	PART NO: 产品编号: HDGC1002HJ-XP			
X.XX	±0.30	X.XX°	±2°	CHECK: 校对:	WANG	DATE	SCALE	UNIT	CODE NUMBER
X.XXX	±0.10	X.XXX°	±1°	DRAW: 绘图:	WANG	2017-02-10	4:1	mm	A008

修订 REV	标记 MARK	修改摘要 REVISION DESCRIPTION	签名 SIGNATURE	日期 DATE
AO		NEW RELEASE	WANG	2017-05-07



 <b>深圳市华德共创科技有限公司</b> Shenzhen Huade co-create Technology Co.,LTD TEL : 0755-27129737 FAX : 0755-29940187		TITLE: 产品名称 : 1.00mm Pitch Housing	
-TOLERANCES- UNLESS OTHERWISE SPECIFIED 公差参数表		 	
X.X	±0.30	X.X°	±3°
X.XX	±0.30	X.XX°	±2°
X.XXX	±0.10	X.XXX°	±1°
APPD: 核准:	XIE	PART NO: 产品编号:	HDGC1002HK-3P
CHECK: 校对:	WANG	DATE	SCALE
DRAW: 绘图:	WANG	UNIT	CODE NUMBER
		2017-05-07	5:1
		mm	A001

修订 REV	标记 MARK	修改摘要 REVISION DESCRIPTION	签名 SIGNATURE	日期 DATE
AO		NEW RELEASE	WANG	2020-08-04



Ordering Information & Dimensions

Circuits	Dimensions(mm)		Circuits	Dimensions(mm)	
	A	B		A	B
2x5P	4.00	8.00	2x15P	14.00	18.00
2x6P	5.00	9.00	2x20P	19.00	23.00
2x8P	7.00	11.00	2x25P	24.00	28.00
2x10P	9.00	13.00			

**SPECIFICATIONS:**

Current Rating: 1A AC,DC  
Voltage Rating: 50V AC,DC  
Temperature Range: -25°C ~ +85°C  
Contact Resistance: 20MΩ Max.  
Insulation Resistance: 100MΩ Min.  
Withstanding Voltage: 500V AC/minute  
Material: Nylon 66,UL94V-0 (White)



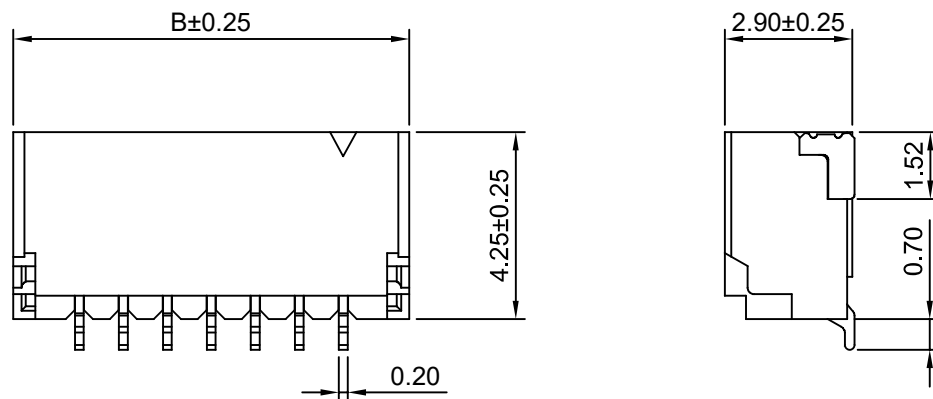
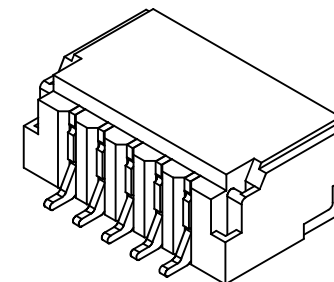
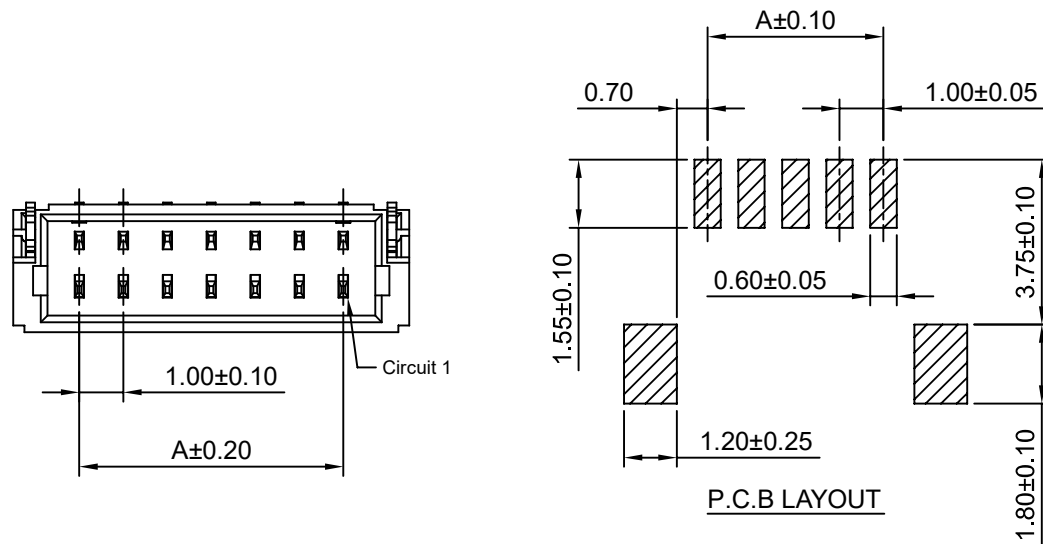
深圳市华德共创科技有限公司

Shenzhen Huade co-create Technology Co.,LTD

TEL : 0755-27129737 FAX : 0755-29940187

-TOLERANCES- UNLESS OTHERWISE SPECIFIED 公差参数表						TITLE: 产品名称 : 1.00mm Pitch Housing			
X.X	±0.30	X.X°	±3°	APPD: 核准:	XIE	PART NO: 产品编号 : HDGC1002H-2xXP			
X.XX	±0.30	X.XX°	±2°	CHECK: 校对:	WANG	DATE	SCALE	UNIT	CODE NUMBER
X.XXX	±0.10	X.XXX°	±1°	DRAW: 绘图:	WANG	2020-08-04	6:1	mm	A001

修订 REV	标记 MARK	修改摘要 REVISION DESCRIPTION	签名 SIGNATURE	日期 DATE
AO		NEW RELEASE	WANG	2017-02-10



#### Ordering Information & Dimensions

Circuits	Dimensions(mm)		Circuits	Dimensions(mm)	
	A	B		A	B
2P	1.00	4.00	12P	11.00	14.00
3P	2.00	5.00	13P	12.00	15.00
4P	3.00	6.00	14P	13.00	16.00
5P	4.00	7.00	15P	14.00	17.00
6P	5.00	8.00	16P	15.00	18.00
7P	6.00	9.00	17P	16.00	19.00
8P	7.00	10.00	18P	17.00	20.00
9P	8.00	11.00	19P	18.00	21.00
10P	9.00	12.00	20P	19.00	22.00
11P	10.00	13.00			

#### SPECIFICATIONS:

Current Rating: 1A AC,DC  
Voltage Rating: 50V AC,DC  
Temperature Range: -25°C ~ +85°C  
Contact Resistance: 20MΩ Max.  
Insulation Resistance: 100MΩ Min.  
Withstanding Voltage: 500V AC/minute  
Pin Material: Phosphor Bronze/Tin over Nickel  
Material: Nylon 6T,UL94V-0(Ivory)



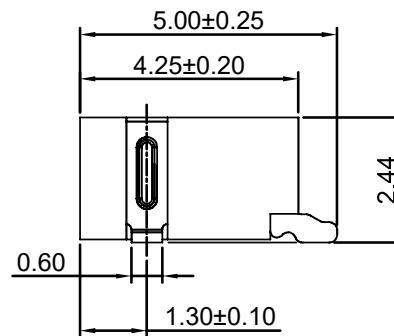
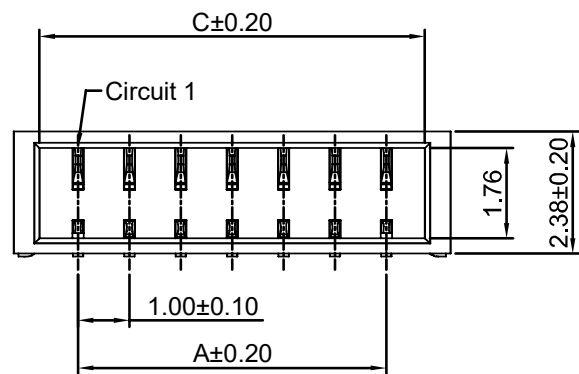
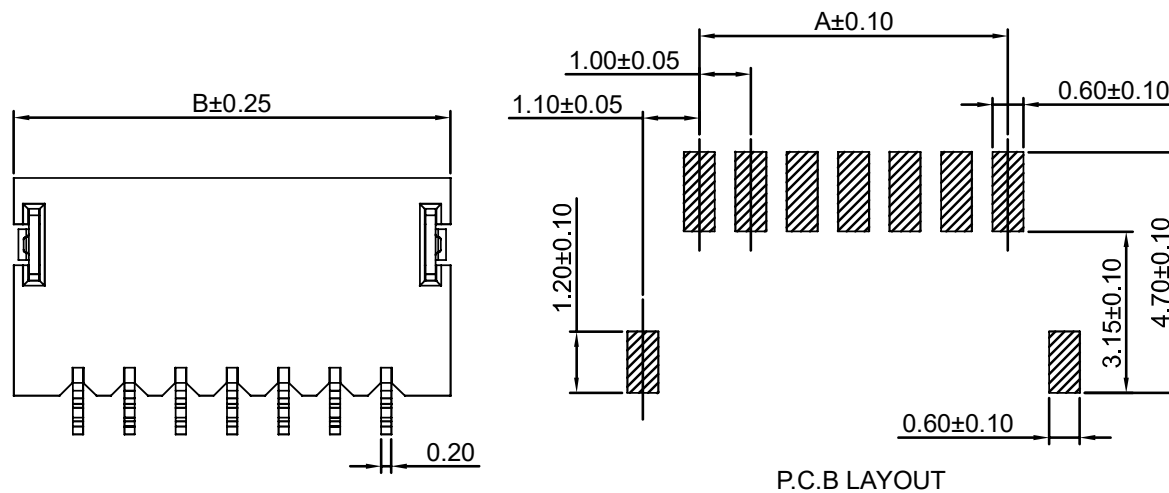
深圳市华德共创科技有限公司

Shenzhen Huade co-create Technology Co.,LTD

TEL : 0755-27129737 FAX : 0755-29940187

-TOLERANCES- UNLESS OTHERWISE SPECIFIED 公差参数表						TITLE: 1.00mm Pitch 产品名称: 90° Wafer			
X.X	±0.30	X.X°	±3°	APPD: 核准:	XIE	PART NO: 产品编号: HDGC1002WR-S-XP			
X.XX	±0.30	X.XX°	±2°	CHECK: 校对:	WANG	DATE	SCALE	UNIT	CODE NUMBER
X.XXX	±0.10	X.XXX°	±1°	DRAW: 绘图:	WANG	2017-02-10	6:1	mm	A008

修订 REV	标记 MARK	修改摘要 REVISION DESCRIPTION	签名 SIGNATURE	日期 DATE
AO		NEW RELEASE	WANG	2017-02-10



Ordering Information & Dimensions:

PART NO.	Dimensions		
	A	B	C
2P	1.00	3.50	2.50
3P	2.00	4.50	3.50
4P	3.00	5.50	4.50
5P	4.00	6.50	5.50
6P	5.00	7.50	6.50
7P	6.00	8.50	7.50
8P	7.00	9.50	8.50
9P	8.00	10.50	9.50
10P	9.00	11.50	10.50
11P	10.00	12.50	11.50
12P	11.00	13.50	12.50
13P	12.00	14.50	13.50
14P	13.00	15.50	14.50
15P	14.00	16.50	15.50
16P	15.00	17.50	16.50
17P	16.00	18.50	17.50
18P	17.00	19.50	18.50
19P	18.00	20.50	19.50
20P	19.00	21.50	20.50

Unit: mm

SPECIFICATIONS:

Current Rating: 1A AC,DC  
Voltage Rating: 50V AC,DC  
Temperature Range: -25°C ~ +85°C  
Contact Resistance: 20MΩ Max.  
Insulation Resistance: 100MΩ Min.  
Withstanding Voltage: 500V AC/minute  
Pin Material: Brass/Tin over Nickel  
Material: Nylon 6T,UL94V-0(Ivory)



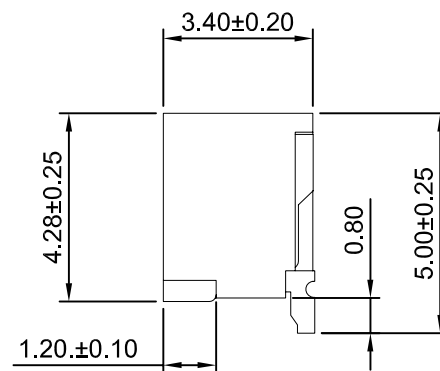
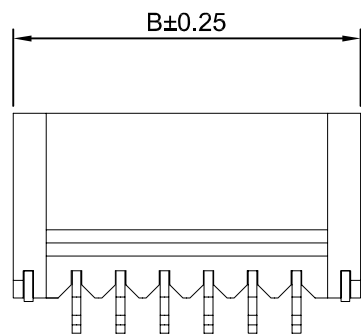
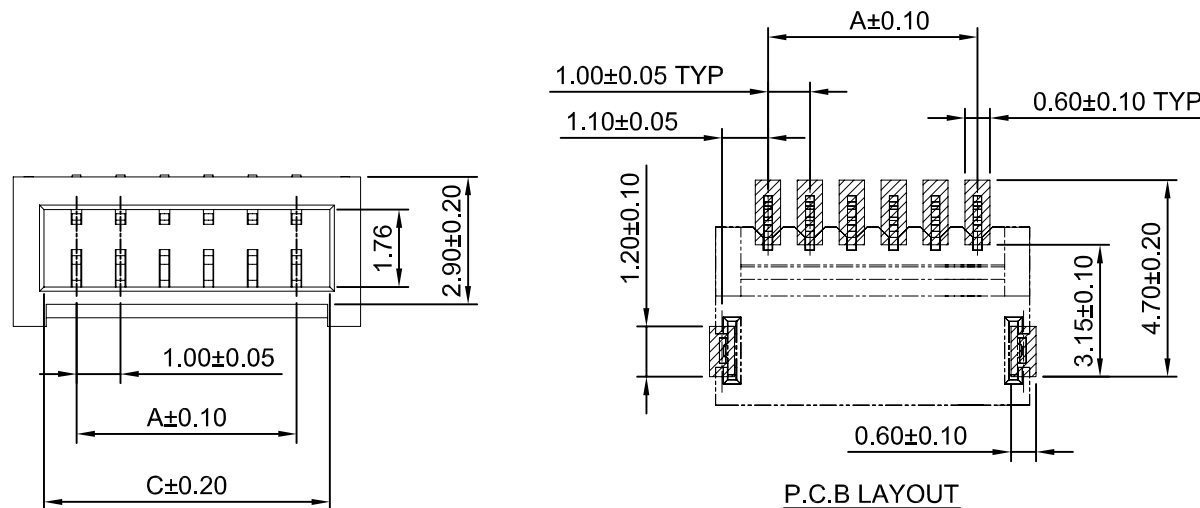
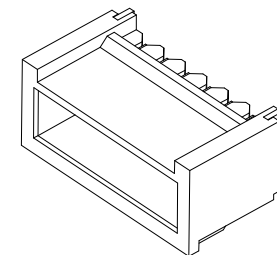
深圳市华德共创科技有限公司

Shenzhen Huade co-create Technology Co.,LTD

TEL : 0755-27129737 FAX : 0755-29940187

-TOLERANCES- UNLESS OTHERWISE SPECIFIED 公差参数表						TITLE: 1.00mm Pitch 产品名称: 90° Wafer			
X.X	±0.30	X.X°	±3°	APPD: 核准:	XIE	PART NO: 产品编号: HDGC1002WRA-S-XP			
X.XX	±0.30	X.XX°	±2°	CHECK: 校对:	WANG	DATE	SCALE	UNIT	CODE NUMBER
X.XXX	±0.10	X.XXX°	±1°	DRAW: 绘图:	WANG	2017-02-10	6:1	mm	A008

修订 REV	标记 MARK	修改摘要 REVISION DESCRIPTION	签名 SIGNATURE	日期 DATE
AO		NEW RELEASE	WANG	2017-02-10



#### Ordering Information & Dimensions

Circuits	Dimensions(mm)			Circuits	Dimensions(mm)		
	A	B	C		A	B	C
2P	1.00	3.90	2.50	12P	11.00	13.90	12.50
3P	2.00	4.90	3.50	13P	12.00	14.90	13.50
4P	3.00	5.90	4.50	14P	13.00	15.90	14.50
5P	4.00	6.90	5.50	15P	14.00	16.90	15.50
6P	5.00	7.90	6.50	16P	15.00	17.90	16.50
7P	6.00	8.90	7.50	17P	16.00	18.90	17.50
8P	7.00	9.90	8.50	18P	17.00	19.90	18.50
9P	8.00	10.90	9.50	19P	18.00	20.90	19.50
10P	9.00	11.90	10.50	20P	19.00	21.90	20.50
11P	10.00	12.90	11.50				

#### SPECIFICATIONS:

Current Rating: 1A AC,DC  
Voltage Rating: 50V AC,DC  
Temperature Range: -25°C ~ +85°C  
Contact Resistance: 20MΩ Max.  
Insulation Resistance: 100MΩ Min.  
Withstanding Voltage: 500V AC/minute  
Pin Material: Phosphor Bronze/Tin over Nickel  
Solder Tabs: Phosphor Bronze/Tin over Nickel  
Material: Nylon 9T,UL94V-0(Ivory)



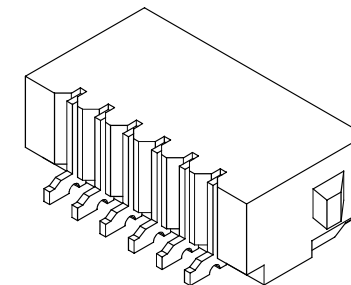
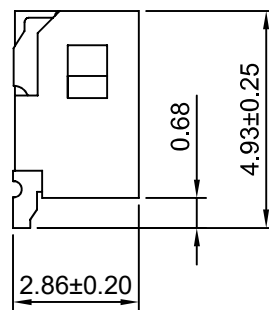
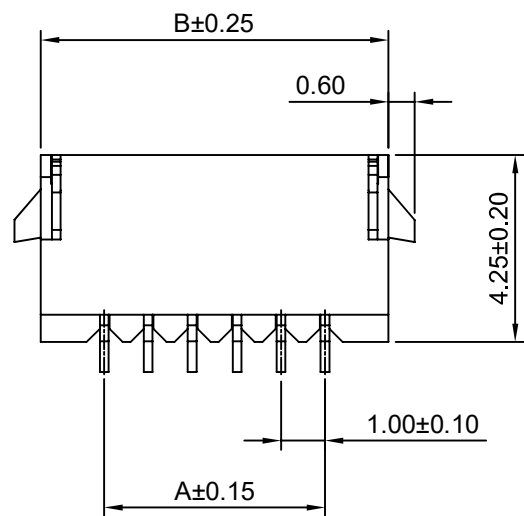
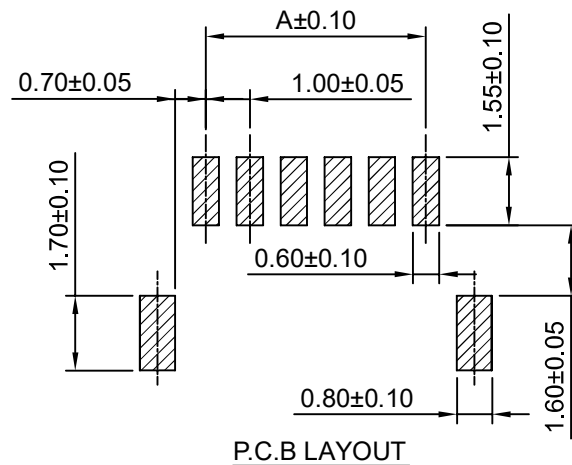
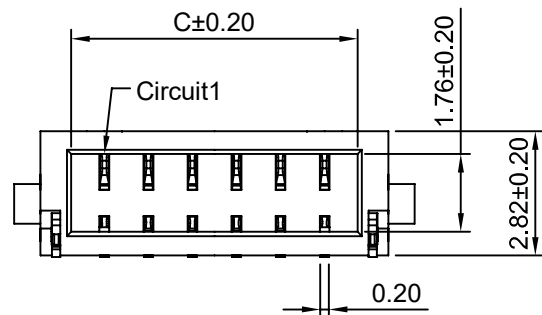
深圳市华德共创科技有限公司

Shenzhen Huade co-create Technology Co.,LTD

TEL : 0755-27129737 FAX : 0755-29940187

-TOLERANCES- UNLESS OTHERWISE SPECIFIED 公差参数表						TITLE: 1.00mm Pitch 产品名称: 90° Wafer			
X.X	±0.30	X.X°	±3°	APPD: 核准:	XIE	PART NO: 产品编号: HDGC1002WRB-S-XP			
X.XX	±0.30	X.XX°	±2°	CHECK: 校对:	WANG	DATE	SCALE	UNIT	CODE NUMBER
X.XXX	±0.10	X.XXX°	±1°	DRAW: 绘图:	WANG	2017-02-10	6:1	mm	A008

修订 REV	标记 MARK	修改摘要 REVISION DESCRIPTION	签名 SIGNATURE	日期 DATE
AO		NEW RELEASE	WANG	2017-02-10



Ordering Information & Dimensions

Circuits	Dimensions(mm)			Circuits	Dimensions(mm)		
	A	B	C		A	B	C
2P	1.00	3.90	2.50	12P	11.00	13.90	12.50
3P	2.00	4.90	3.50	13P	12.00	14.90	13.50
4P	3.00	5.90	4.50	14P	13.00	15.90	14.50
5P	4.00	6.90	5.50	15P	14.00	16.90	15.50
6P	5.00	7.90	6.50	16P	15.00	17.90	16.50
7P	6.00	8.90	7.50	17P	16.00	18.90	17.50
8P	7.00	9.90	8.50	18P	17.00	19.90	18.50
9P	8.00	10.90	9.50	19P	18.00	20.90	19.50
10P	9.00	11.90	10.50	20P	19.00	21.90	20.50
11P	10.00	12.90	11.50				

**SPECIFICATIONS:**

Current Rating: 1A AC,DC  
Voltage Rating: 50V AC,DC  
Temperature Range: -25°C ~ +85°C  
Contact Resistance: 20MΩ Max.  
Insulation Resistance: 100MΩ Min.  
Withstanding Voltage: 500V AC/minute  
Pin Material: Brass/Tin over Nickel  
Material: Nylon 9T,UL94V-0(Ivory)



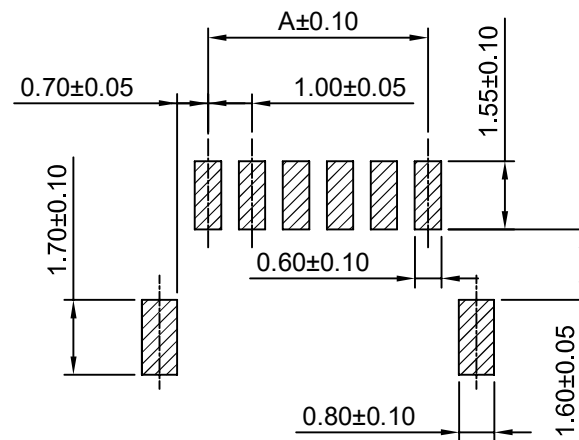
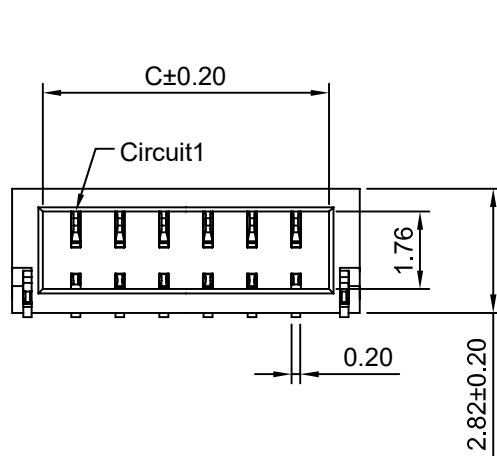
深圳市华德共创科技有限公司

Shenzhen Huade co-create Technology Co.,LTD

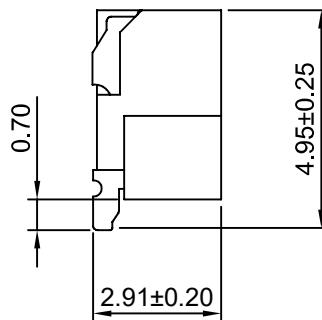
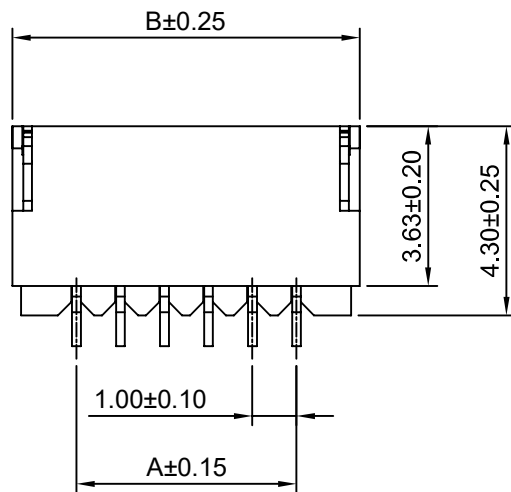
TEL : 0755-27129737 FAX : 0755-29940187

-TOLERANCES- UNLESS OTHERWISE SPECIFIED 公差参数表						TITLE: 1.00mm Pitch 产品名称: 90° Wafer			
X.X	±0.30	X.X°	±3°	APPD: 核准:	XIE	PART NO: 产品编号: HDGC1002WRC-S-XP			
X.XX	±0.30	X.XX°	±2°	CHECK: 校对:	WANG	DATE	SCALE	UNIT	CODE NUMBER
X.XXX	±0.10	X.XXX°	±1°	DRAW: 绘图:	WANG	2017-02-10	6:1	mm	A008

修订 REV	标记 MARK	修改摘要 REVISION DESCRIPTION	签名 SIGNATURE	日期 DATE
AO		NEW RELEASE	WANG	2017-02-10



P.C.B LAYOUT



Ordering Information & Dimensions

Circuits	Dimensions(mm)			Circuits	Dimensions(mm)		
	A	B	C		A	B	C
2P	1.00	3.90	2.50	12P	11.00	13.90	12.50
3P	2.00	4.90	3.50	13P	12.00	14.90	13.50
4P	3.00	5.90	4.50	14P	13.00	15.90	14.50
5P	4.00	6.90	5.50	15P	14.00	16.90	15.50
6P	5.00	7.90	6.50	16P	15.00	17.90	16.50
7P	6.00	8.90	7.50	17P	16.00	18.90	17.50
8P	7.00	9.90	8.50	18P	17.00	19.90	18.50
9P	8.00	10.90	9.50	19P	18.00	20.90	19.50
10P	9.00	11.90	10.50	20P	19.00	21.90	20.50
11P	10.00	12.90	11.50				

**SPECIFICATIONS:**

Current Rating: 1A AC,DC  
Voltage Rating: 50V AC,DC  
Temperature Range: -25°C ~ +85°C  
Contact Resistance: 20MΩ Max.  
Insulation Resistance: 100MΩ Min.  
Withstanding Voltage: 500V AC/minute  
Pin Material: Brass/Tin over Nickel  
Material: Nylon 9T,UL94V-0(Ivory)



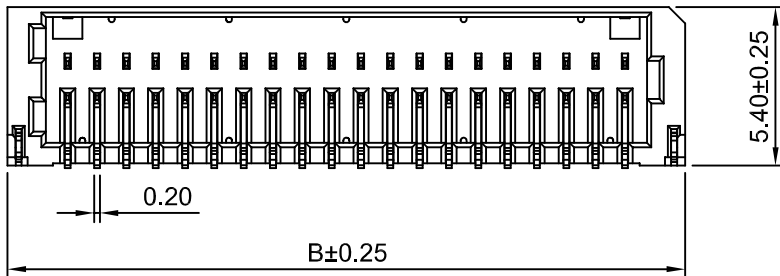
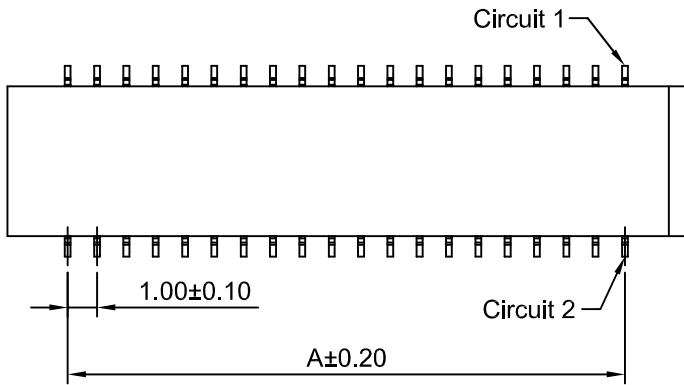
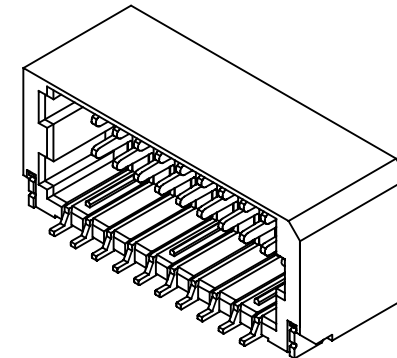
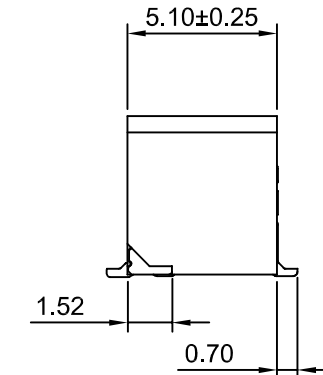
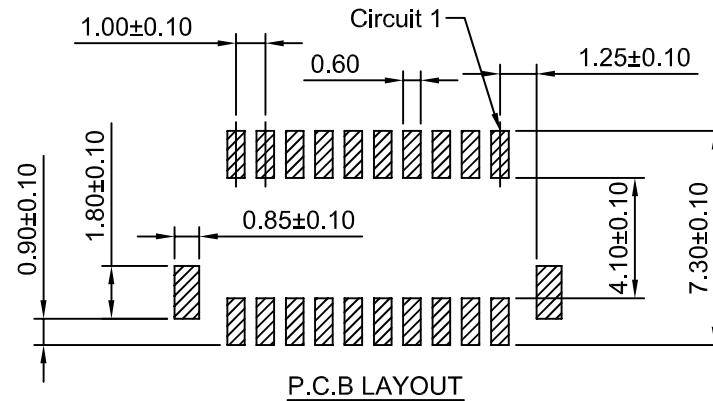
深圳市华德共创科技有限公司

Shenzhen Huade co-create Technology Co.,LTD

TEL : 0755-27129737 FAX : 0755-29940187

-TOLERANCES- UNLESS OTHERWISE SPECIFIED 公差参数表						TITLE: 1.00mm Pitch 产品名称: 90° Wafer			
X.X	±0.30	X.X°	±3°	APPD: 核准:	XIE	PART NO: 产品编号: HDGC1002WRD-S-XP			
X.XX	±0.30	X.XX°	±2°	CHECK: 校对:	WANG	DATE	SCALE	UNIT	CODE NUMBER
X.XXX	±0.10	X.XXX°	±1°	DRAW: 绘图:	WANG	2017-02-10	6:1	mm	A008

修订 REV	标记 MARK	修改摘要 REVISION DESCRIPTION	签名 SIGNATURE	日期 DATE
AO		NEW RELEASE	WANG	2017-02-10



Ordering Information & Dimensions

Circuits	Dimensions(mm)		Circuits	Dimensions(mm)	
	A	B		A	B
2x6P	5.00	9.10	2x15P	14.00	18.10
2x8P	7.00	11.10	2x20P	19.00	23.10
2x10P	9.00	13.10	2x25P	24.00	28.10


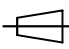
SPECIFICATIONS:

Current Rating: 1A AC,DC  
Voltage Rating: 50V AC,DC  
Temperature Range: -25°C ~ +85°C  
Contact Resistance: 20MΩ Max.  
Insulation Resistance: 100MΩ Min.  
Withstanding Voltage: 500V AC/minute  
Pin Material: Brass/Tin over Nickel  
Material: Nylon 6T,UL94V-0(Ivory)

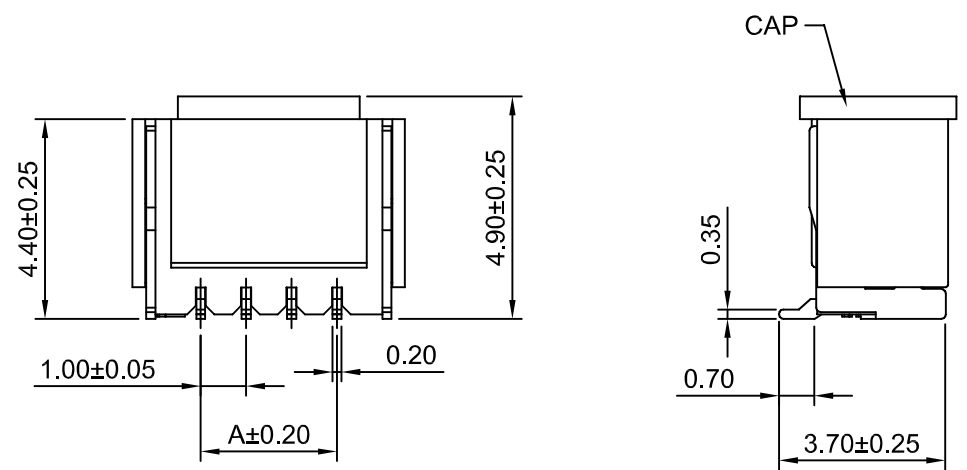
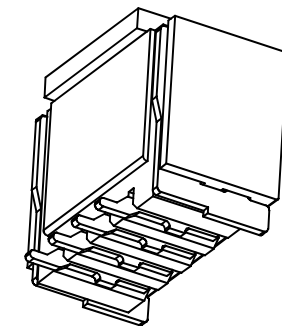
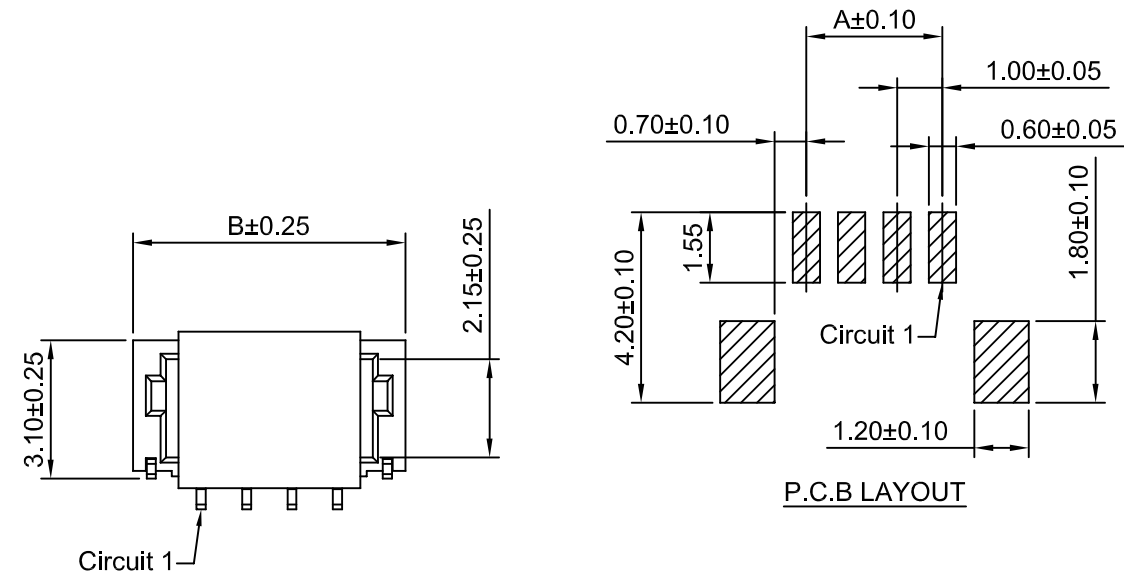


深圳市华德共创科技有限公司

Shenzhen Huade co-create Technology Co.,LTD  
TEL : 0755-27129737 FAX : 0755-29940187

-TOLERANCES- UNLESS OTHERWISE SPECIFIED 公差参数表				 		TITLE: 1.00mm Pitch 产品名称: 90° Wafer			
X.X	±0.30	X.X°	±3°	APPD: 核准:	XIE	PART NO: 产品编号: HDGC1002WR-S-2xXP			
X.XX	±0.30	X.XX°	±2°	CHECK: 校对:	WANG	DATE	SCALE	UNIT	CODE NUMBER
X.XXX	±0.10	X.XXX°	±1°	DRAW: 绘图:	WANG	2017-02-10	4:1	mm	A008

修订 REV	标记 MARK	修改摘要 REVISION DESCRIPTION	签名 SIGNATURE	日期 DATE
AO		NEW RELEASE	WANG	2017-02-10



Ordering Information & Dimensions

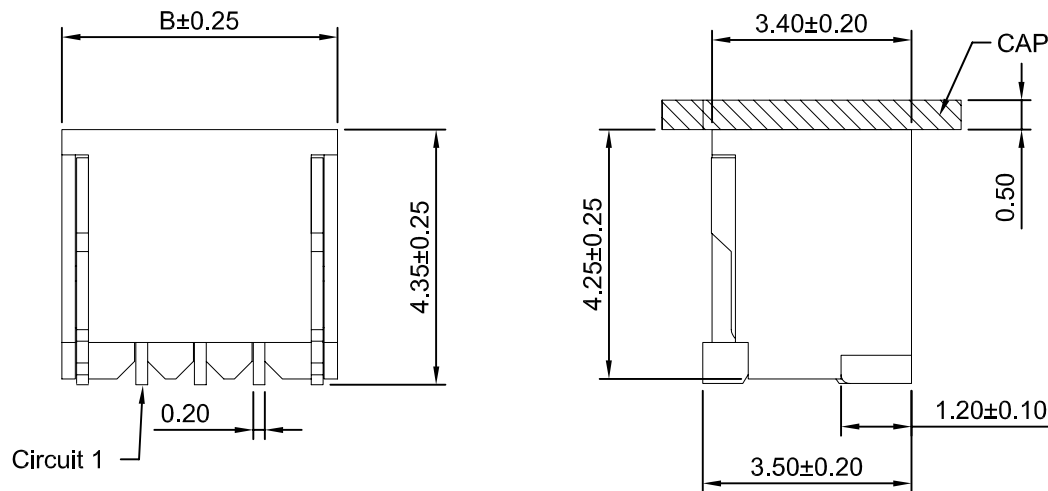
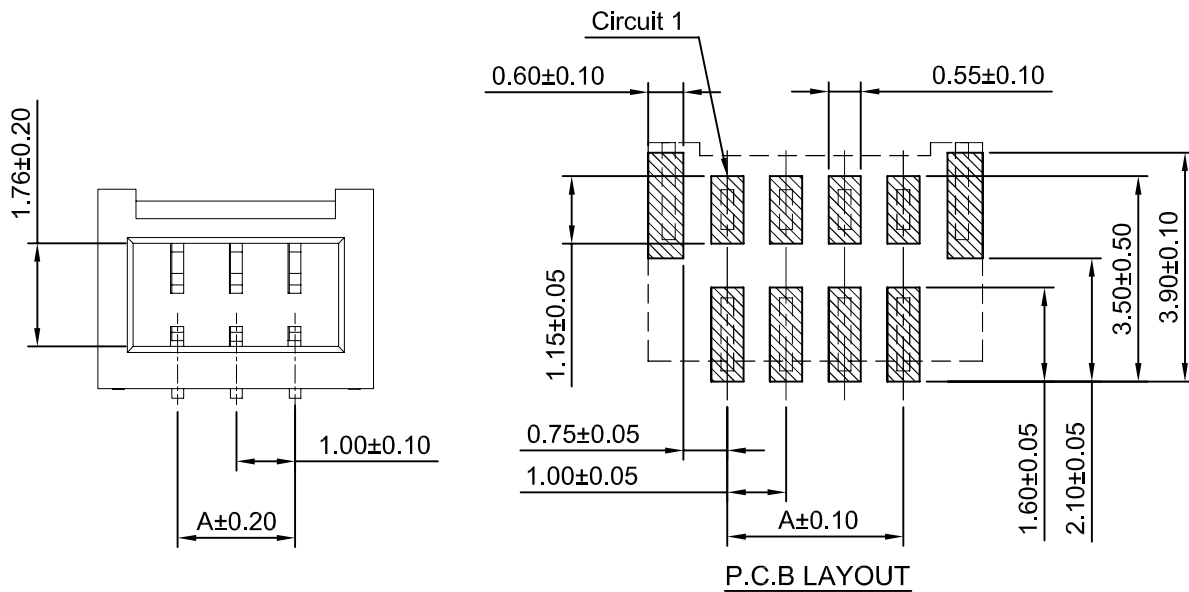
Circuits	Dimensions(mm)		Circuits	Dimensions(mm)	
	A	B		A	B
2P	1.00	4.00	12P	11.00	14.00
3P	2.00	5.00	13P	12.00	15.00
4P	3.00	6.00	14P	13.00	16.00
5P	4.00	7.00	15P	14.00	17.00
6P	5.00	8.00	16P	15.00	18.00
7P	6.00	9.00	17P	16.00	19.00
8P	7.00	10.00	18P	17.00	20.00
9P	8.00	11.00	19P	18.00	21.00
10P	9.00	12.00	20P	19.00	22.00
11P	10.00	13.00			

**SPECIFICATIONS:**  
 Current Rating: 1A AC,DC  
 Voltage Rating: 50V AC,DC  
 Temperature Range: -25°C ~ +85°C  
 Contact Resistance: 20mΩ Max.  
 Insulation Resistance: 100MΩ Min.  
 Withstanding Voltage: 500V AC/minute  
 Pin Material: Phosphor Bronze/Tin over Nickel  
 Material: LCP,UL94V-0(Beige)

**深圳市华德共创科技有限公司**  
 Shenzhen Huade co-create Technology Co.,LTD  
 TEL : 0755-27129737 FAX : 0755-29940187

-TOLERANCES- UNLESS OTHERWISE SPECIFIED 公差参数表			TITLE: 1.00mm Pitch 产品名称: 180° Wafer						
X.X	±0.30	X.X°	±3°	APPD: 核准:	XIE			PART NO: 产品编号: HDGC1002WV-S-XP	
X.XX	±0.30	X.XX°	±2°	CHECK: 校对:	WANG	DATE	SCALE	UNIT	CODE NUMBER
X.XXX	±0.10	X.XXX°	±1°	DRAW: 绘图:	WANG	2017-02-10	6:1	mm	A008

修订 REV	标记 MARK	修改摘要 REVISION DESCRIPTION	签名 SIGNATURE	日期 DATE
AO		NEW RELEASE	WANG	2017-02-10



Ordering Information & Dimensions

Circuits	Dimensions(mm)		Circuits	Dimensions(mm)	
	A	B		A	B
2P	1.00	3.70	12P	11.00	13.70
3P	2.00	4.70	13P	12.00	14.70
4P	3.00	5.70	14P	13.00	15.70
5P	4.00	6.70	15P	14.00	16.70
6P	5.00	7.70	16P	15.00	17.70
7P	6.00	8.70	17P	16.00	18.70
8P	7.00	9.70	18P	17.00	19.70
9P	8.00	10.70	19P	18.00	20.70
10P	9.00	11.70	20P	19.00	21.70
11P	10.00	12.70			

**SPECIFICATIONS:**

Current Rating: 1A AC,DC  
Voltage Rating: 50V AC,DC  
Temperature Range: -25°C ~ +85°C  
Contact Resistance: 20MΩ Max.  
Insulation Resistance: 100MΩ Min.  
Withstanding Voltage: 500V AC/minute  
Pin Material: Brass/Tin over Nickel  
Material:Nylon 9T,UL94V-0(Ivory)

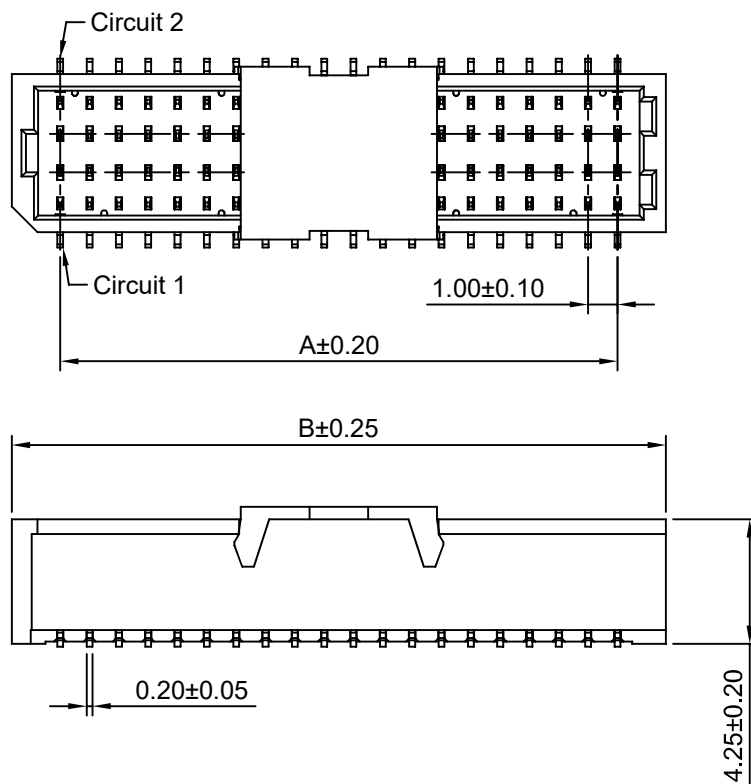
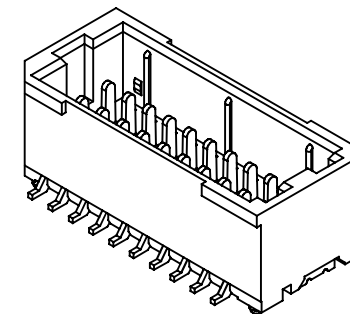
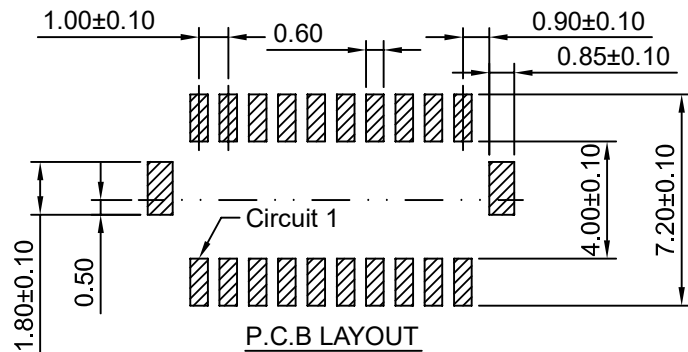


深圳市华德共创科技有限公司

Shenzhen Huade co-create Technology Co.,LTD  
TEL : 0755-27129737 FAX : 0755-29940187

-TOLERANCES- UNLESS OTHERWISE SPECIFIED 公差参数表						TITLE: 1.00mm Pitch 产品名称: 180° Wafer			
X.X	±0.30	X.X°	±3°	APPD: 核准:	XIE	PART NO: 产品编号: HDGC1002WB-S-XP			
X.XX	±0.30	X.XX°	±2°	CHECK: 校对:	WANG	DATE	SCALE	UNIT	CODE NUMBER
X.XXX	±0.10	X.XXX°	±1°	DRAW: 绘图:	WANG	2017-02-10	8:1	mm	A008

修订 REV	标记 MARK	修改摘要 REVISION DESCRIPTION	签名 SIGNATURE	日期 DATE
AO		NEW RELEASE	WANG	2017-02-10



Ordering Information & Dimensions

Circuits	Dimensions(mm)		Circuits	Dimensions(mm)	
	A	B		A	B
2x6P	5.00	8.30	2x15P	14.00	17.30
2x8P	7.00	10.30	2x20P	19.00	22.30
2x10P	9.00	12.30	2x25P	24.00	27.30

SPECIFICATIONS:

Current Rating: 1A AC,DC  
Voltage Rating: 50V AC,DC  
Temperature Range: -25°C ~ +85°C  
Contact Resistance: 20MΩ Max.  
Insulation Resistance: 100MΩ Min.  
Withstanding Voltage: 500V AC/minute  
Pin Material: Brass/Tin over Nickel  
Material: Nylon 6T,UL94V-0(Ivory)



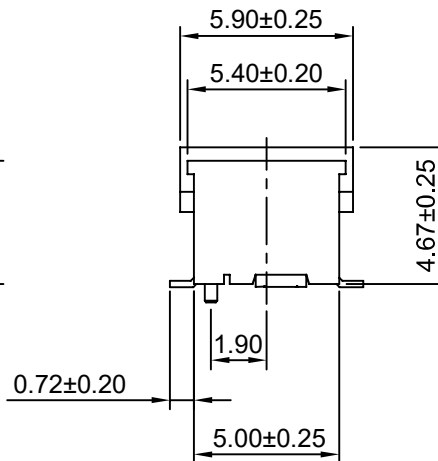
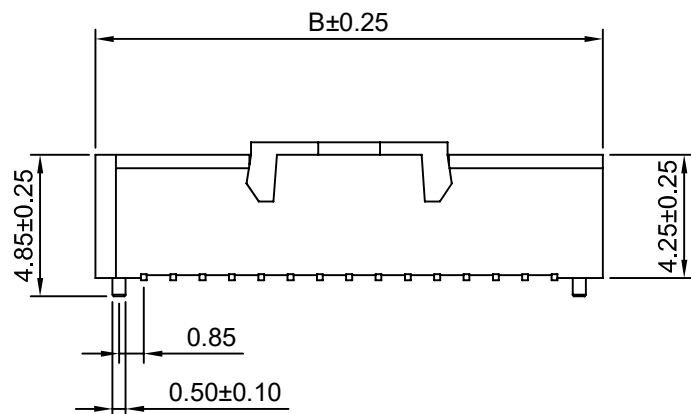
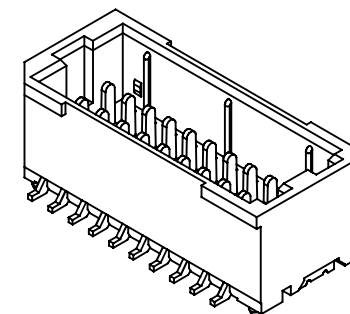
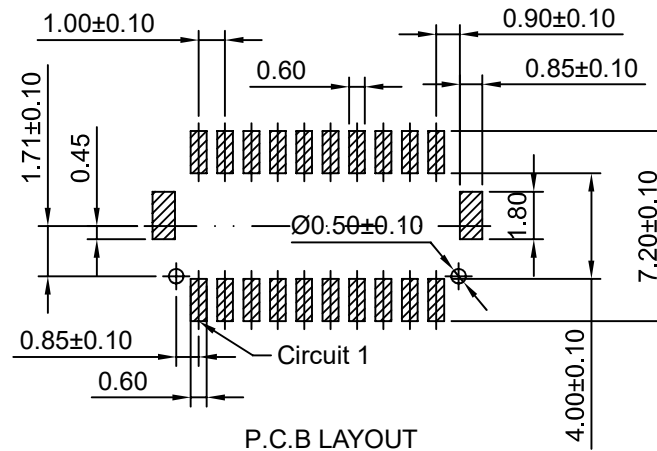
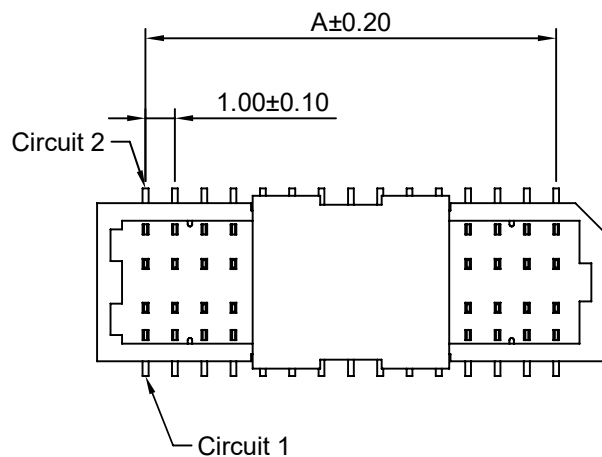
深圳市华德共创科技有限公司

Shenzhen Huade co-create Technology Co.,LTD

TEL : 0755-27129737 FAX : 0755-29940187

-TOLERANCES- UNLESS OTHERWISE SPECIFIED 公差参数表						TITLE: 产品名称: 1.00mm Pitch 180° Wafer			
X.X	±0.30	X.X°	±3°	APPD: 核准:	XIE	PART NO: 产品编号: HDGC1002WV-S-2xXP			
X.XX	±0.30	X.XX°	±2°	CHECK: 校对:	WANG	DATE	SCALE	UNIT	CODE NUMBER
X.XXX	±0.10	X.XXX°	±1°	DRAW: 绘图:	WANG	2017-02-10	4:1	mm	A008

修订 REV	标记 MARK	修改摘要 REVISION DESCRIPTION	签名 SIGNATURE	日期 DATE
AO		NEW RELEASE	WANG	2017-02-10



#### Ordering Information & Dimensions

Circuits	Dimensions(mm)		Circuits	Dimensions(mm)	
	A	B		A	B
2x6P	5.00	8.30	2x15P	14.00	17.30
2x8P	7.00	10.30	2x20P	19.00	22.30
2x10P	9.00	12.30	2x25P	24.00	27.30

#### SPECIFICATIONS:

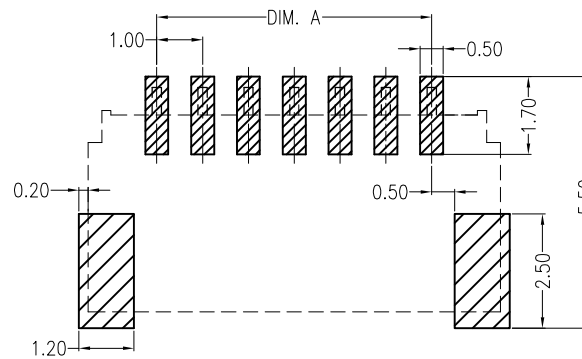
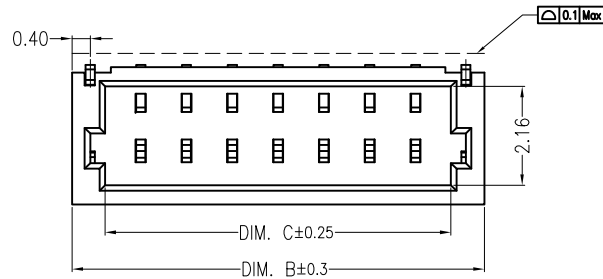
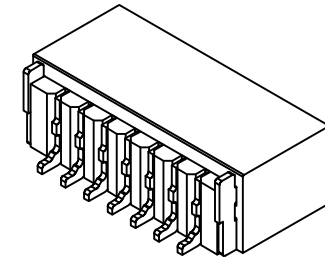
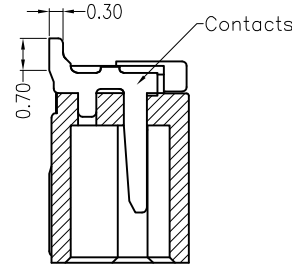
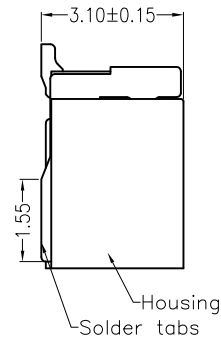
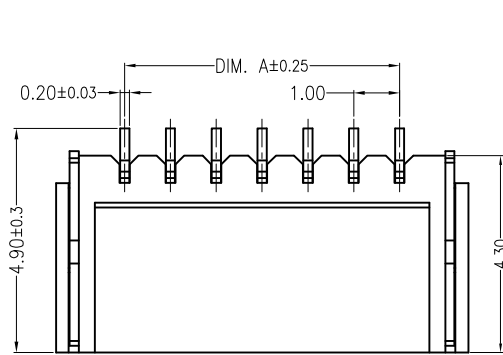
Current Rating: 1A AC,DC  
Voltage Rating: 50V AC,DC  
Temperature Range: -25°C ~ +85°C  
Contact Resistance: 20MΩ Max.  
Insulation Resistance: 100MΩ Min.  
Withstanding Voltage: 500V AC/minute  
Pin Material: Brass/Gold over Nickel  
Material: Nylon 6T,UL94V-0(Ivory)

### 深圳市华德共创科技有限公司

Shenzhen Huade co-create Technology Co.,LTD  
TEL : 0755-27129737 FAX : 0755-29940187

-TOLERANCES- UNLESS OTHERWISE SPECIFIED 公差参数表			TITLE: 1.00mm Pitch 产品名称: 180° Wafer				
X.X	±0.30	X.X°	±3°	APPD: 核准:	XIE	PART NO: 产品编号: HDGC1002WV-S-F-2xXP	
X.XX	±0.30	X.XX°	±2°	CHECK: 校对:	WANG	DATE	SCALE
X.XXX	±0.10	X.XXX°	±1°	DRAW: 绘图:	WANG	2017-02-10	4:1
						UNIT	CODE NUMBER
						mm	A008

修订 REV	标记 MARK	修改摘要 REVISION DESCRIPTION	签名 SIGNATURE	日期 DATE
AO		NEW RELEASE	WANG	2019-03-29

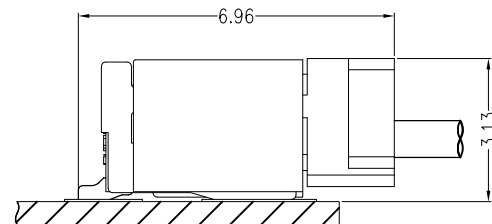


Recommend PCB Layout

Circuit	Dimensions (mm)		
	DIM. A	DIM. B	DIM. C
02	1.00	4.00	2.45
03	2.00	5.00	3.45
04	3.00	6.00	4.45
05	4.00	7.00	5.45
06	5.00	8.00	6.45
07	6.00	9.00	7.45
08	7.00	10.00	8.45
09	8.00	11.00	9.45
10	9.00	12.00	10.45
11	10.00	13.00	11.45
12	11.00	14.00	12.45
13	12.00	15.00	13.45
14	13.00	16.00	14.45
15	14.00	17.00	15.45
16	15.00	18.00	16.45
20	19.00	22.00	20.45

**Specifications:**

- Contact resistance:  $\leq 20m\Omega$
- Insulation resistance:  $\geq 100M\Omega$
- Rated voltage: 50V AC DC
- Rated current: 1.0A AC DC
- Withstand voltage: 500V AC/minute
- Temperature range:  $-25^{\circ}C \sim +105^{\circ}C$
- Housing: LCP UL94V-0 (Natural/Black)
- Contacts: Phosphor bronze (Matte sn/Gold plating)
- Solder tabs: Phosphor bronze/Matte sn



Assembly Layout

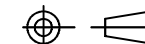


深圳市华德共创科技有限公司

Shenzhen Huade co-create Technology Co., LTD

TEL : 0755-27129737 FAX : 0755-29940187

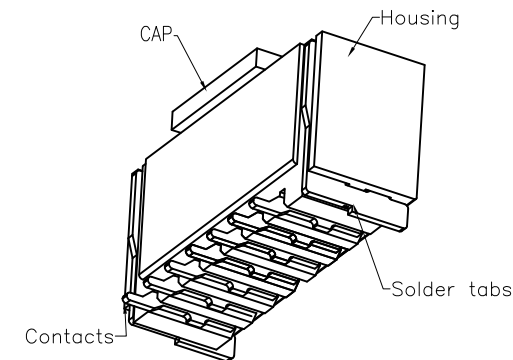
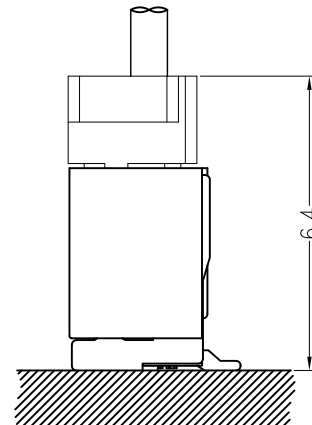
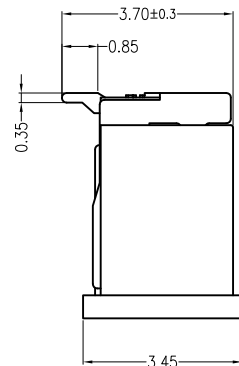
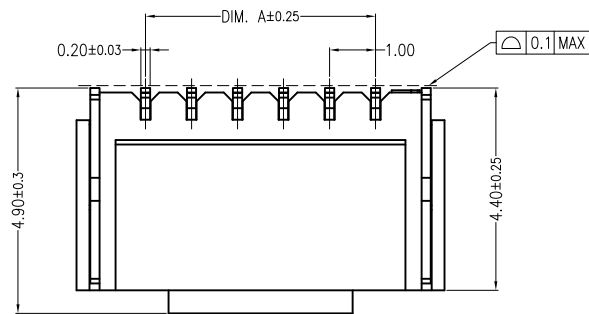
-TOLERANCES-  
UNLESS OTHERWISE SPECIFIED  
公差参数表



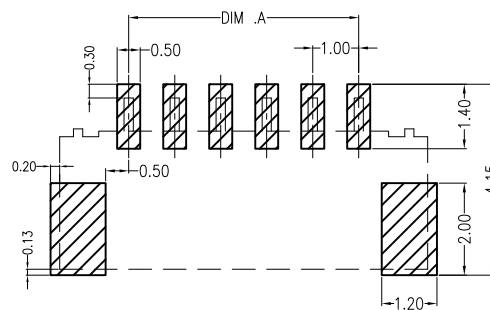
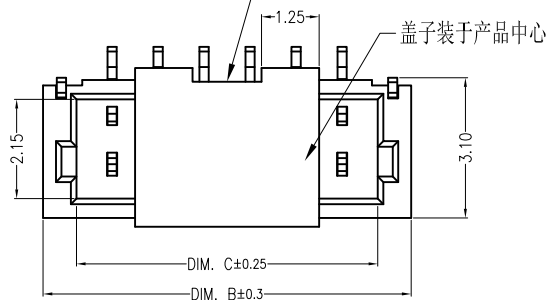
TITLE: 1.00mm Pitch  
产品名称: 90° Wafer

X.X	$\pm 0.30$	X.X°	$\pm 3^{\circ}$	APPD: 核准: XIE	PART NO: 产品编号: HDGC1002WRE-S-XP			
X.XX	$\pm 0.30$	X.XX°	$\pm 2^{\circ}$	CHECK: 校对: WANG	DATE	SCALE	UNIT	CODE NUMBER
X.XXX	$\pm 0.10$	X.XXX°	$\pm 1^{\circ}$	DRAW: 绘图: WANG	2019-03-29	4:1	mm	A018

修订 REV	标记 MARK	修改摘要 REVISION DESCRIPTION	签名 SIGNATURE	日期 DATE
AO		NEW RELEASE	WANG	2019-03-29



缺口为浇口工艺，减少自动机加盖卡料，  
缺口位置不固定，也可在另一侧



Recommend PCB Layout

Circuit	Dimensions (mm)		
	DIM. A	DIM. B	DIM. C
02	1.00	4.00	2.45
03	2.00	5.00	3.45
04	3.00	6.00	4.45
05	4.00	7.00	5.45
06	5.00	8.00	6.45
07	6.00	9.00	7.45
08	7.00	10.00	8.45
09	8.00	11.00	9.45
10	9.00	12.00	10.45
11	10.00	13.00	11.45
12	11.00	14.00	12.45
13	12.00	15.00	13.45
14	13.00	16.00	14.45
15	14.00	17.00	15.45
16	15.00	18.00	16.45
20	19.00	22.00	20.45

**Specifications:**

- Contact resistance:  $\leq 20\text{m}\Omega$
- Insulation resistance:  $\geq 100\text{M}\Omega$
- Rated voltage: 50V AC DC
- Rated current: 1.0A AC DC
- Withstand voltage: 500V AC/minute
- Temperature range:  $-25^{\circ}\text{C} \sim +105^{\circ}\text{C}$
- Housing: LCP UL94V-0 (Natural/Black)
- CAP: LCP UL94V-0, Natural
- Contacts: Phosphor bronze (Matte sn/Gold plating)
- Solder tabs: Phosphor bronze/Matte sn



深圳市华德共创科技有限公司

Shenzhen Huade co-create Technology Co., LTD

TEL : 0755-27129737 FAX : 0755-29940187

-TOLERANCES- UNLESS OTHERWISE SPECIFIED 公差参数表						TITLE: 产品名称: 1.00mm Pitch 180° Wafer			
X.X	±0.30	X.X°	±3°	APPD: 核准:	XIE	PART NO: 产品编号: HDGC1002WVE-S-XP			
X.XX	±0.30	X.XX°	±2°	CHECK: 校对:	WANG	DATE	SCALE	UNIT	CODE NUMBER
X.XXX	±0.10	X.XXX°	±1°	DRAW: 绘图:	WANG	2019-03-29	4:1	mm	A018